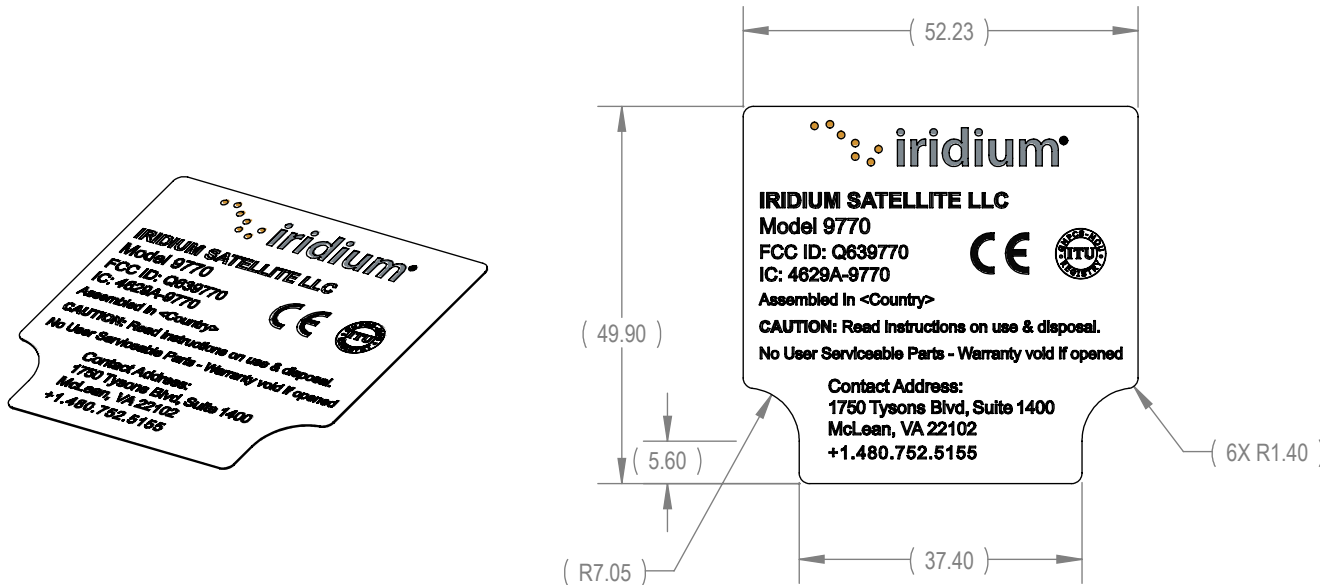





NOTES:

1. MATERIAL: MAKE FROM 455-00171\_9770 BLANK LABEL, REGULATORY
2. COLOR:
  - PRINT TEXT COLOR: BLACK
  - FILM COLOR: WHITE
  - LOGO PRINT COLOR: ORANGE (PANTONE: PMS 137)  
GREY (PANTONE: PMS7544)
3. REFER TO ART WORK FILE 455-00162\_PA3.AI
4. NON-VARYING PRINT : TO BE BASED ON .AI FILE OF SAME FILE NAME AND ISSUE NO. - BUT USE INSTANCE WHERE <COUNTRY> IS REPLACED BY THE ACTUAL COUNTRY OF FINAL ASSEMBLY

| REVISIONS |   |           |         |
|-----------|---|-----------|---------|
| REV.      | DESCRIPTION   | DATE      | ENGR.   |
| PA1       | PRELIMINARYRD1@Drawing View2                                  | 9/17/2018 | BDG     |
| PA2       | ADDED ART WORK  | 9/17/2018 | BDG     |
| PA3       | ADDED VECTOR ART TO 3D PART                                   | 9/28/2018 | BDG     |
| PA4       | UPDATED THAT MATERIAL IS MAKE FROM REVISE TO 9770 DESCRIPTION | 4/11/2019 | T.EAGAN |



|  |   |   |   |                                     |                                  |                      |
|--|---|---|---|-------------------------------------|----------------------------------|----------------------|
|  <p><b>PROPRIETARY AND CONFIDENTIAL</b><br/>THIS DRAWING AND THE INFORMATION CONTAINED HEREIN IS THE PROPERTY OF IRIDIUM SATELLITE LLC AND/OR ITS AFFILIATES AND LICENSORS, UNLESS OTHERWISE STATED. NEITHER THIS DRAWING NOR ANY SUCH INFORMATION MAY BE COPIED, REPRODUCED, TRANSMITTED, DISTRIBUTED OR OTHERWISE USED EXCEPT AS EXPRESSLY APPROVED IN WRITING BY IRIDIUM SATELLITE LLC AND/OR ITS AFFILIATES. NO RIGHTS OR LICENSES OF ANY KIND TO SUCH DRAWING OR INFORMATION (INCLUDING ANY INTELLECTUAL PROPERTY RIGHTS THEREIN) ARE TRANSFERRED TO, GRANTED TO, PROVIDED TO OR RECEIVED BY THE RECIPIENT HEREOF AS A RESULT OF THE DELIVERY HEREOF. THIS MATERIAL MAY NOT IN WHOLE OR IN PART BE COPIED, STORED ELECTRONICALLY OR COMMUNICATED TO THIRD PARTIES WITHOUT THE PRIOR WRITTEN AGREEMENT OF IRIDIUM.</p> | <b>MATERIAL</b> SEE NOTE 1  |   | <b>DESCRIPTION</b><br>9770 REGULATORY LABEL |                                     |                                  |                      |
|  | <b>THIRD ANGLE PROJECTION</b>  |  |   | <b>DOCUMENT NUMBER</b><br>455-00162 | <b>3D REFERENCE</b><br>455-00162 | <b>3D REV</b><br>PA3 |
|  | <b>TOLERANCES: UNLESS OTHERWISE SPECIFIED</b><br>LINEAR DIMENSIONS N/A<br>ANGULAR DIMENSIONS<br>HOLE TO HOLE        |   | <b>DRAWN BY</b><br>C.TERRY                  | <b>ISSUE DATE</b><br>9/17/2018      | <b>UNITS</b><br>mm               |                      |
|  |   |   | <b>REVIEWED BY</b><br>T.EAGAN               | <b>SCALE</b><br>NONE                | <b>SIZE</b><br>A4                |                      |
|  |   | GEOMETRIC TOLERANCING PER ASME Y14.5m-2009  | <b>REVISION</b><br>PA4                      | <b>SHEET</b><br>1 of 1              |                                  |                      |