

1

2

3

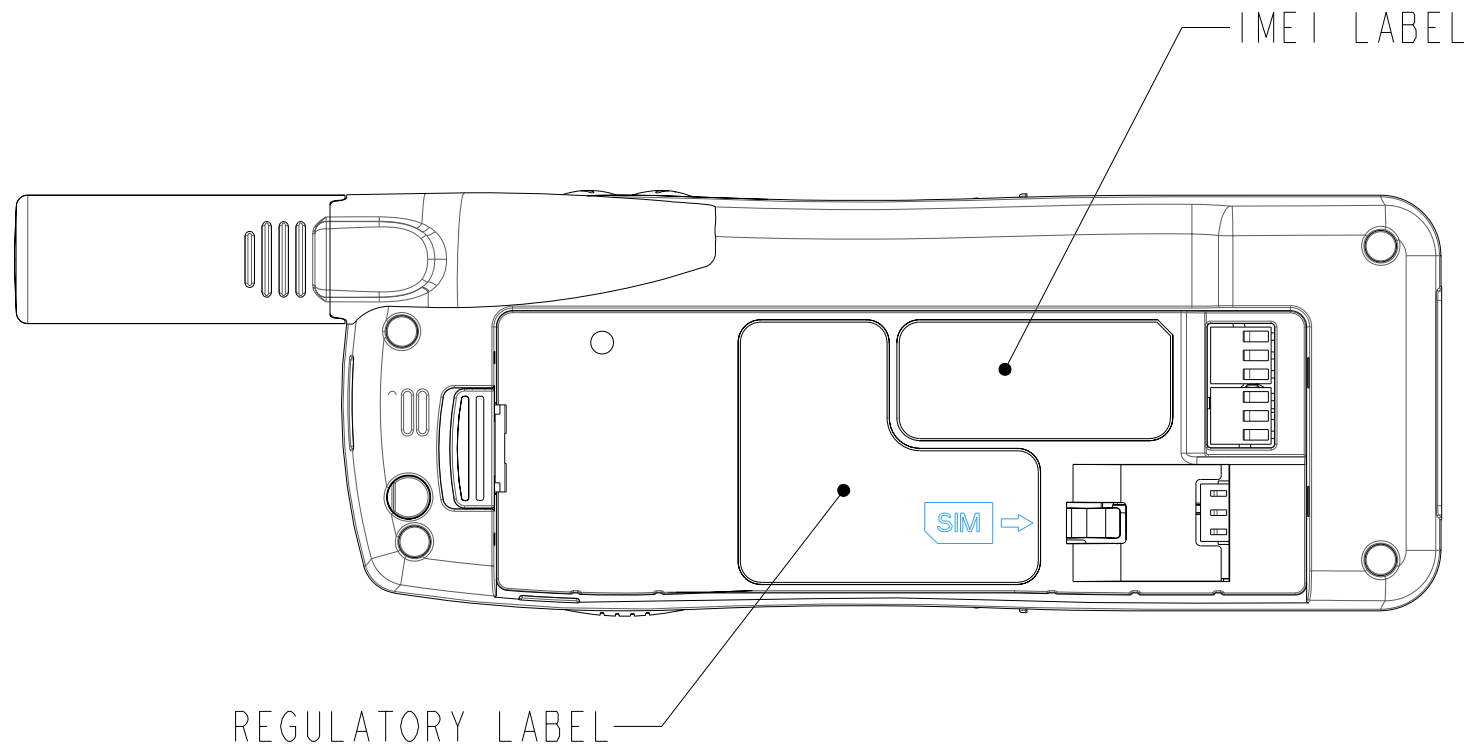
4

5

6

PROJECT NUMBER: <b>300097</b>	
DRAWN BY: GPN	DATE (DD/MM/YY) Jun-04-08
DESIGNED BY:	DATE (DD/MM/YY) 03 JUNE 08
DESIGNED FOR: <b>H2</b>	

ISSUE DATE	RELEASE INFORMATION	WHO
T1 05 JUNE 08	RELEASE	...
...	"	...
...	"	...
...	"	...
...	"	...
...	"	...
...	"	...
...	"	...
...	"	...
...	"	...
...	"	...



REGULATORY LABEL

IMEI LABEL

VIEWED FROM BACK OF UNIT

ADDITIVE FINISHES:

DRAWING NUMBER:  
**20194**

THIS DRAWING IS COMPUTER GENERATED.  
ALL DIMENSIONS ARE IN UNITS SPECIFIED IN THE TITLE BLOCK.  
DRAWING IS NOT 100% TRUE SCALE -> DO NOT SCALE DRAWING.  
ALL PRINT REVISIONS ARE SPECIFIED BY BALLOONED ISSUE LETTERS.  
DIMENSIONS SHOWN ARE FOR FIRST ARTICLE AND INSPECTION PURPOSES ONLY.

(c) 2005 PRODUCT DEVELOPMENT TECHNOLOGIES INC. PROPRIETARY AND CONFIDENTIAL.

THIS PRINT AND THE INFORMATION CONTAINED WITHIN  
ARE PROPRIETARY AND CONFIDENTIAL TO PDT INC. AND  
SHALL NOT BE DISCUSSED, REPRODUCED, OR COPIED (IN WHOLE OR  
IN PART) WITHOUT PRIOR WRITTEN CONSENT OF PDT INC.

**FORMAT SIZE - A3**

PDT UK, THE BARN, IVES GATE LANE, GREAT MILTON, OXFORD, OXFORDSHIRE, OX44 7NJ - UNITED KINGDOM. TEL +44(0)1844 278 000 FAX +44(0)1844 278 222  
PDT LINCOLNSHIRE, 600 HEATHROW DRIVE, LINCOLNSHIRE, IL 60069 - TEL 847.821.3000 FAX 847.821.3030 - E: info@pdt.com



TITLE: <b>H2 LABEL ASSEMBLY</b>			
MATERIAL:		HARDNESS:	
DESIGNED FOR: <b>H2</b>		SHEET: <b>1 OF 1</b>	
SCALE: <b>1.000</b>	UNITS: <b>MILLIMETERS</b>	ProE FILE NAME: <b>H2_HANDSET_TOTAL_ASM</b>	PART VOLUME: