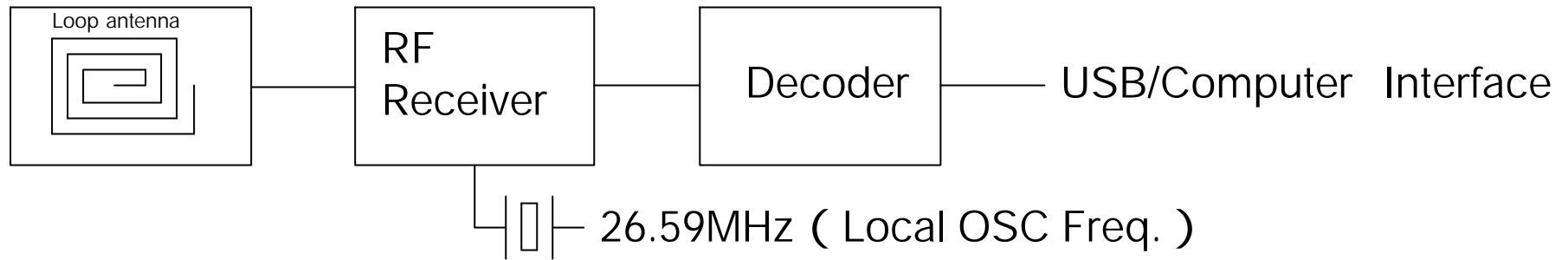
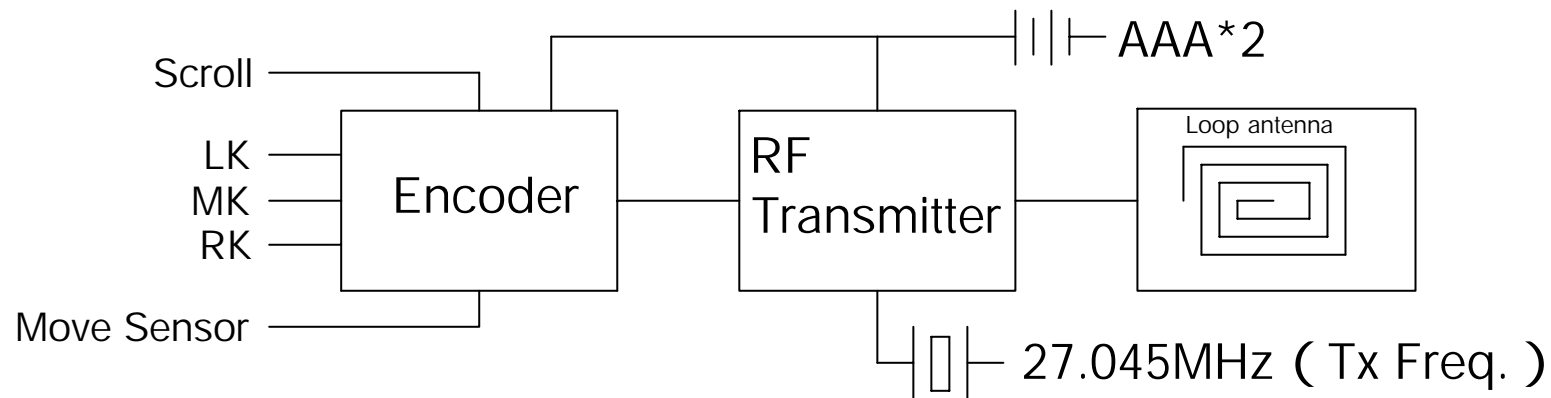


a . Receiver Block Diagram .



b . Mouse Block Diagram .



ITEM	DESCRIPTION	SIGN.	DATE	PROJECTION: 3RD ANGLE	DRAW I-HSIUNG 030502	CHECK	Block diagram	
1					DESIGN	APRVL		
2				FINISH	COLOR	QTY. 1 / SET		MATL
3				CLIENT CODE	MUS-01	UNIT	M.M.	
							PART NAME	Wireless Mouse
							PART NO.	210-0001

PLEASE DON'T SCALE THE DRAWING DIRECTLY

\*\*