



QUICK INSTRUCTION MANUAL

**TP620**

Digital Portable Radio  
FCC ID:Q5ETP620

**DIGITAL**

<http://en.kirisun.com>

**Quick Instruction Manual**  
**TP620**

Frequency:400-470MHz

We are very grateful for your purchasing KIRISUN brand two-way radios produced by Kirisun Communications Co., Ltd.

We believe KIRISUN two-way radio, which always incorporates the latest technology, can bring great convenience to your life and work.

We also believe that the quality and function of KIRISUN two-way radio can meet your demands for reliable communication.

Declaration of Conformity

CE0700!

We, Kirisun Communications Co.,Ltd. 3-6Flrs, ROBETA Building, No.1, QiMin Road, Song Ping Shan Area, Science&Industry Park, Nanshan District Shenzhen 518057 P.R. China

Declare on our sole responsibility that this equipment complies with the Annex IV of Council Directive 1999/5/EC on radio equipment and telecommunications equipment and the mutual recognition of their conformity, and that any applicable Essential Test Suits measurement has been performed.

Description of equipment: UHF DMR Portable

Model No.: Kirisun/TP620

This compliances is based on conformity with the following harmonized standards or documents:

- (1) .ETSI EN 300 086-2 V1.3.2  
ETSI EN 300 113-2 V1.5.1
- (2). ETSI EN 301 489-1 V1.9.2(2011-09)  
ETSI EN 301 489-5 V1.3.1(2002-08)
- (3) EN 60950-1:2006+A11:2009+A1:2010+A12:2011



---

(4) EN 50385:2002

#### FCC

We, Kirusun Communications Co.,Ltd. 3-6Flrs, ROBETA Building, No.1, QiMin Road, Song Ping Shan Area, Science&Industry Park, Nanshan District Shenzhen 518057 P.R. China

Declare on our sole responsibility that this equipment complies with the FCC Part15 rules

These limits are designed to provide reasonable protection against harmful interference in a residential installation. This equipment generates and can radiate radio frequency energy and, if not installed and used in accordance with the instructions, may cause harmful interference to radio communications. However, there is no guarantee that interference will not occur in a particular installation. If this equipment does cause harmful interference to radio or television reception, which can be determined by turning the equipment off and on, the user is encouraged to try to correct. The interference by one or more of the following measures:

- Reorient or relocate the receiving antenna. Increase the separation between the equipment and receiver.
- Connect the equipment into an outlet on a circuit different from that to which the receiver is

connected.

- Consult the dealer or an experienced radio/TV technician for help. Operation is subject to the following two conditions: 1. This device may not cause harmful interference, and 2. This device must accept any interference received, including interference that may cause undesired operation.

Note:” Changes or modifications to this unit not expressly approved by the party responsible for compliance could void the user’s authority to operate the equipment.”

## 1. Safety

Before using this radio, read this operating instruction carefully for safe and convenient usage.

This product can only be maintained by the professional technicians. Do not disassemble the radio by yourself.

To avoid of the problems caused by electromagnetic interference or electromagnetic compatibility, turn off the radio in any facilities where posted notices instruct you to do so, such as hospital and other health care facilities. And when on board an aircraft, turn off the radio if instructed to do so too.

---

In the vehicle with an air bag, do not place the radio in the area over an air bag or in the air bag deployment area.

Turn off the radio before entering any area with a potentially explosive atmosphere or blasting caps. Do not operate the radio, disassemble or charge the battery in the potentially flammable and explosive atmosphere (such as gas station, coal gas station, etc.).

Do not place the radio under the direct sunlight or near the area with heating devices.

Do not place the radio in the area with great dust, moisture or drips, or on the unstable surface.

Contact us or your local dealer for help if you want to redevelop or modify the radio.

Do not use any portable radio that has a damaged antenna. If a damaged antenna comes into contact with your skin, a minor burn can result.

Make sure the antenna is correctly installed when using. The radio without antenna may cause damage in the process of transmission.

## 2. First Use

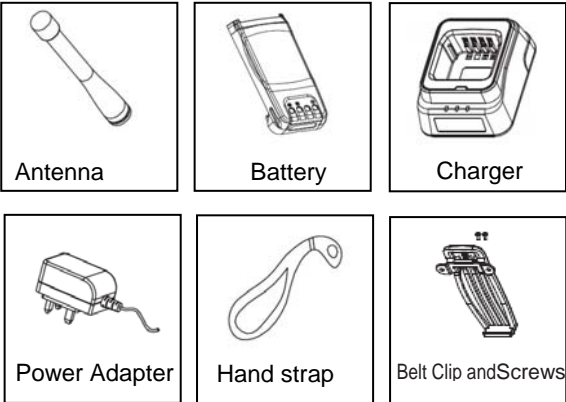
### 2.1 Unpacking and Checking

#### ■ Standard Accessories

Please unpack carefully and check all the items listed in the following table before discarding the

packing material. If any damage or loss occurs during shipment, please contact your dealer.

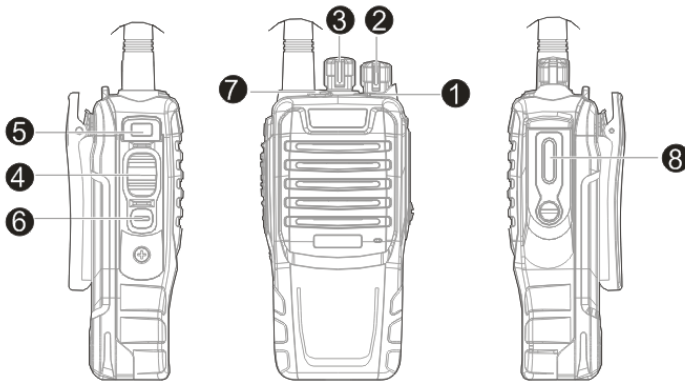
Item	Quantity
Antenna	1
Belt Clip	1
Charger	1
Battery	1
Hand Strap	1
Power Adapter	1
Instruction Manual	1



## 2.2 Product Overview

### ■ Identification of buttons





No	Part Name	No	Part Name
1	LED Indicator	5	Side Button1
2	Power/Volume Switch	6	Side Button2
3	Channel Knob	7	Top Button
4	PTT Button	8	External speaker / microphone interface



### ■ **Programmable Buttons**

Authorized Dealer can program the programmable buttons as shortcuts to various radio features. Each button can has two features and can be activated through Long Press or Short Press.



Note:

Short Press – Pressing and releasing quickly

Long press – Pressing and holding for the programmed duration

### ■ **LED Status Indicator**

The LED indicator shows the operational status of your radio.

Solid red – Radio is transmitting

Solid green- Radio is powering up or receiving a non-privacy-enabled call or data, or detecting activity over the air.

## **2.3 Preparing your product for use**

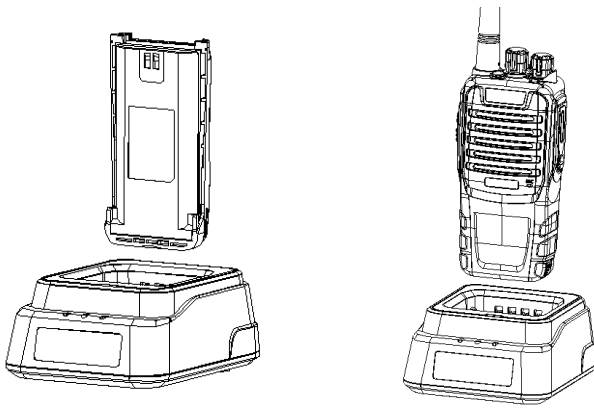
### ■ **Charging the Battery**

7

DIGITAL  
TWO-WAY RADIO

Please refer to the following steps to charge your batter.

- 1) Plug the adaptor in the rear power jack of the intelligent charger, and plug the adaptor into the suitable AC socket. The three LED lights will flash for about one second and turn green when everything is properly set.
- 2) Put the battery or the radio with battery into the charger, and please turn off the radio before charging.
- 3) Make sure the battery is properly attached to the charger. The charging begins when the red light is on.
- 4) The red light is off after five-hour charging, and then the green light is on, indicating the charging is completed.



**Note:**

- The yellow light flashing indicates abnormality in charging temperature or in the circuit, and the charger will then enter the state of protection. During this state, do not impose charging anymore and take out the battery before unplugging the charger. Please use only the charger and battery provided by Kirisun.

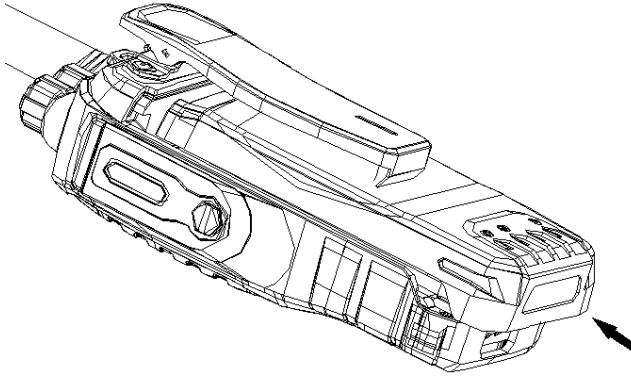
---

**Charging LED Indicator**

LED	Charging Status
Yellow light flashes.	Abnormality in charging temperature or in the circuit.
The red led lights.	The battery is in charging.
The green led lights.	The battery is full charged or Standby(no load)

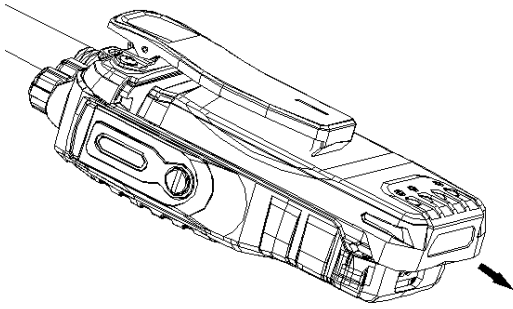
**■ Installing/Uninstalling the Battery****Installing the Battery**

Press the top of the belt clip, and align the battery with the slots on the back of the radio. Press the battery firmly, and slide upward until the latch snaps into place.



#### Uninstalling the Battery

For detaching the battery, push downward the battery latch at the radio bottom and then push the battery in the direction of the arrow shown in the picture until the battery is completely detached from the radio.



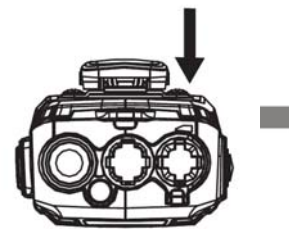
**Note:**

Please do not throw the short-circuit battery terminal or battery into fire. Please do not short-circuit the battery terminal or throw the battery into fire.  
Do not disassemble the battery casing by yourself

### 3. Basic Operation

#### ■ Powering on/off

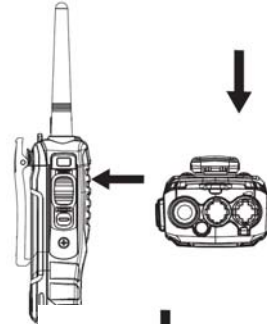
Turn the power/volume knob clockwise for powering on. If the dealer



set an alert tone, the radio will make a beep. Turn the power/volume knob counterclockwise for powering off.

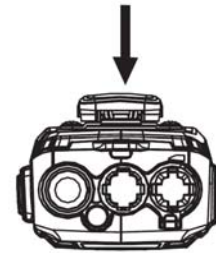
■ **Adjusting the Volume**

To increase the volume, turn the Volume Knob clockwise. To decrease the volume, turn this knob counterclockwise.



■ **Selecting a Channel**

Turn the channel knob to select the channel you need. A sound from the speaker indicates that the valid signal is received.



■ **Push-To-TALK (PTT) Button**

The PTT button in the radio's side (Push To Talk, press to talk), this button has functions below:

To initiate a new call;

In the talking process, you can call other users of this channel.

Operation Steps:

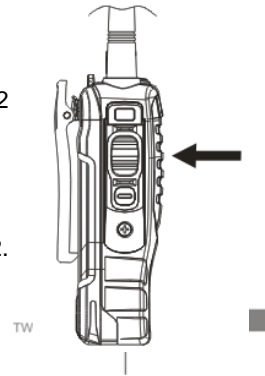
Hold the radio vertically 1 inch (2.5 cm) from your mouth. Then press and hold the PTT button and speak clearly into the microphone. Release the PTT button to receive.

■ **Selecting a Zone**

A zone is a group of channels. Your radio supports up to a maximum of 2 zones with every zone supporting up to a maximum of 16 channels.

Procedure:

- 1) Press the programmed zone button
- 2) A positive alert tone indicates the radio switched from zone 1 to zone 2.





A negative alert tone indicates the radio switched from zone 2 to zone 1.

■ **Selecting a Radio Channel Procedure:**

Once the required zone is programmed (if you have multiple zones in your radio), turn the Channel Selector Knob to select the channel.

## 4. Making/Receiving a Call

■ **Making a Call**

Hold down the PTT button to initial a call to the default contact which has set for current channel in programming software. The contact can be set to private call, group call or all call by programming software.

■ **Receiving and Answering a Call**

When a call is receive, the green LED lights on, you can hear the talking. After receiving, you can press and hold on the PTT button to reply this call within call hang time duration.

## 5. Other Functions

Except making a call and receiving a call, the radio also supports many other functions. These functions need to be programmed before using. You can connect your local dealer to use these functions.

Functions	
Send a Message	You can send a quick message by one touch button
Radio Enable encode	Allows stolen/lost radios to be enabled over the air.
Radio Disable encode	Allows stolen/lost radios to be disabled over the air.
Radio Check Decode	It checks whether radios are active on system without disturbing user.
Call Alert	Enables a user to page another and request a return call when convenient.
Remote Monitor Decode	Enables supervisor radios to listen in on remote radios to maximize employee safety and

	instantly assess situation.
Digital Encryption	Enhance communication security.
Emergency	Variety emergency calls can be confirmed to maximize employee safety.
Scan	A scan helps ensure all relevant calls are heard.
DTMF Encode and Decode	DTMF function can allow users to send a PTT ID or realize kinds of calls.

## 6. Troubleshooting

No.	Problem	Causes and Solutions
1	Powered-on Failure	<p>A. The battery may be used up. Charge or change the battery to try again.</p> <p>B. The On/Off key may be in poor contact. Clean the metal dome with alcohol and try again.</p>

		<p>C. The power binding post isn't connected with battery. Re-install it and try again.</p>
2	Communication Failure	<p>A. The frequency settings may be different from others. Set your TX/RX frequencies to be the same as others.                  B. The CTCSS/CDCSS signaling maybe different from others. Set your CTCSS/CDCSS signaling to be the same as others.                  C. Beyond the radio's coverage area. Your place may be too far from the others.</p>
3	Failed Receiving of Signal	<p>A. The antenna may get loose or may be improperly installed – Re-install the antenna.                  B. The frequency settings may be different from others. Set your TX/RX frequencies to be the same as others.                  C. Beyond the radio's coverage area. Your place may be too far from the others.</p>

4	The LED lights up solid green without any voice received	A. Check whether the volume level is at its lowest or not. Increase the volume level and try again. B. Check whether the speaker is broken or not. Change the speaker and try again.
5	Failed CPS Programming	A. Wrong wire connection. Check and try again. B. Check if the USB driver is installed or not. Install a USB driver and try again. C. Poor contact of the earpiece interface board – Change the earpiece interface board and try again.

## SAFETY TRAINING INFORMATION



Your Kirisun Communications Co., Ltd radio generates RF electromagnetic energy during transmit mode. This radio is designed for and classified as "Occupational Use Only", meaning it must be used only during the course of employment by individuals aware of the hazards, and the ways to minimize such hazards. This radio is NOT intended for use by the "General Population" in an uncontrolled environment. This radio has been tested and complies with the FCC RF exposure limits for "Occupational Use Only". In addition, your Kirisun Communications Co., Ltd radio complies with the following Standards and Guidelines with regard to RF energy and electromagnetic energy levels and evaluation of such levels for exposure to humans:

- ◆ FCC OET Bulletin 65 Edition 97-01 Supplement C, Evaluating Compliance with FCC Guidelines for Human Exposure to Radio Frequency Electromagnetic Fields.
- ◆ American National Standards Institute (C95.1-1992), IEEE Standard for Safety Levels with Respect to Human Exposure to Radio Frequency Electromagnetic Fields, 3 kHz to 300 GHz.
- ◆ American National Standards Institute (C95.3-1992), IEEE Recommended Practice for the Measurement of Potentially Hazardous Electromagnetic Fields— RF and Microwave.
- ◆ The following accessories are authorized for use with this product. Use of accessories other than those (listed in the instruction) specified may result in RF exposure levels exceed the FCC requirements for wireless RF exposure.



To ensure you're your exposure to RF electromagnetic energy is within the FCC allowable limits for occupational use, always adhere to the following guidelines

The information listed above provides the user with the information needed to make him or her aware of RF exposure, and what to do to assure that this radio operates with the FCC RF exposure limits of this radio.

### Electromagnetic Interference/Compatibility

During transmissions, Kirisun Communications Co., Ltd radio generates RF energy that can possibly cause interference with other devices or systems. To avoid such interference, turn off the radio in areas where signs are posted to do so. **DO NOT** operate the transmitter in areas that are sensitive to electromagnetic radiation such as hospitals, aircraft, and blasting sites.

### Occupational/Controlled Use

The radio transmitter is used in situations in which persons are exposed as consequence of their employment provided those persons are fully aware of the potential for exposure and can exercise control over their exposure.

Attention:

This radio complies with IEEE and ICNIRP exposure limits for occupational/controlled RF exposure environment at operating duty factors of up to 50% and is authorized by the FCC for occupational use only. An appropriate warning label is affixed to all units.

In order to comply with RF exposure requirements, a minimum distance of 2.5cm must be maintained when held-to-face, and body-worn operations are restricted to the approved original accessories (belt clip). Do not use this device when antenna shows obvious damages