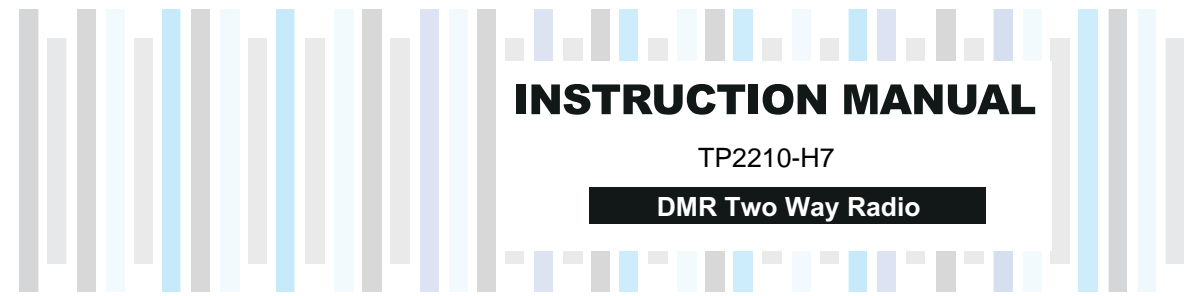


The logo for Tait, featuring the word "tait" in a bold, lowercase, sans-serif font. The two dots above the "i" are colored blue.The logo for Tait, featuring the word "tait" in a bold, lowercase, sans-serif font. The two dots above the "i" are colored blue.

INSTRUCTION MANUAL

TP2210-H7

DMR Two Way Radio

Notice to user

◆ Copyright

Tait and our authorized partners own the intellectual property of all the parts of this product (include accessories). Any design and materials may not be modified, copied, extracted or translated without the authorization of Tait or its authorized parties.

Due to the update or modification of the product, Tait owns the right to change the specifications of software and hardware described in this manual without further notice. Specifications and information contained in this manual are for reference only.

◆ Safety Information

Compliance with RF Exposure Standards

Your radio is designed and tested to comply with a number of national and international standards and guidelines (listed below) regarding human exposure to radio frequency electromagnetic energy. This radio complies with the IEEE and ICNIRP exposure limits for occupational/controlled RF exposure environment at operating duty factors of up to 50% transmitting. In terms of measuring RF energy for compliance with the IEEE and ICNIRP exposure limits, your radio radiates measurable RF energy only while it is transmitting (during talking), not when it is receiving (listening) or in standby mode.

Your radio complies with the following of RF energy exposure standards and guidelines

Institute of Electrical and Electronic Engineers (IEEE) C95.1-1992

Institute of Electrical and Electronic Engineers (IEEE) C95.1-1999 Edition

International Commission on Non-Ionizing Radiation Protection (ICNIRP) 1998

◆ Operating Instructions to control RF Exposure

To decrease your exposure and ensure compliance with the occupational/controlled environment exposure limits, please always adhere to the following procedures.

1. Transmit no more than the rated duty factor of 50% of the time. To transmit, press the PTT button, and to receive the call, release the PTT button.
2. Keep your radio in a vertical position in front of the face with the microphone 5cm away from your mouth while transmit.
3. When worn on your body, keep the antenna 2.5cm away from you body while transmit.
4. Do not transmit when the radio is not equipped with an antenna. Transmitting without an antenna may damage the product and result RF discomfort.

◆ Using the designated accessories

Use the antenna, battery, adapter or charger supplied or sold by Tait only, or otherwise it causes damage to the product.

If you want to purchase or replace the accessories, please contact your local dealer or Tait .

◆ Area restrictions

1. To avoid of the problems caused by electromagnetic interference or electromagnetic compatibility, turn off the radio in any facilities where posted notices instruct you to do so, such as hospital and other health care facilities. Turn off the radio when on board an aircraft, if instructed to do so.
2. In the vehicle with an air bag, do not place the radio in the area over an air bag or in the air bag deployment area.

3. Turn off the radio before entering any area with a potentially explosive atmosphere or blasting caps.
4. Do not operate the radio, disassemble or charge the battery in the potentially flammable and explosive atmosphere (such as gas station, coal gas station, etc.).
5. Do not place the radio under the direct sunlight or near the area with heating devices.
6. Do not place the radio in the area with great dust, moisture or drips, or on the unstable surface.

◆ Operating Attentions

Antenna

Do not use any portable radio that has a damaged antenna. If a damaged antenna comes into contact with your skin, a minor burn can result.

Batteries

All batteries can cause property damage and/or bodily injury, such as burns, if a conductive material such as jewelry, keys, or beaded chains touches exposed terminals. The conductive material may complete an electrical circuit (short circuit) and become quite hot. Excessive care in handling any charged battery, particular when placing it inside a pocket, purse, or other container with metal objects. To reduce the potentially damage, do not expose the battery in the fire, or disassemble and extrude the battery.

To realize the best performance of the battery, change the battery once a year.

Maintenance

Do not disassemble the radio by yourself. This product can only be maintained by the professional technicians. Contact us or your local dealer for help if you want to re-develop or modify the radio.

Regulatory



Tait declares that this product is compliant with the essential requirements and other relevant provisions of the European R&TTE directive 1999/5/EC relating to radio and telecommunications terminal equipment and the mutual recognition of their conformity. This product is also compliant with directive 2011/65/EU having been designed and manufactured to the RoHS requirements.

Frequency range: 450-520MHz (FCC)
450-470MHz (IC)

Restrictions are valid for the European country

Restrictions are valid for the following countries:

France (FR), United Kingdom (UK), Italy(IT), Ireland (IE), Portugal (PT), Luxembourg (LU) , Bulgaria(BG) , Latvia (LV), Czech Republic (CZ) , Denmark(DK), Estonia(EE), Lithuania(LT) , Hungary(HU) , Netherlands(NL) , Austria(AT), Poland(PL), Romania (RO) , Slovakia(SK) , Finland(FI) , Sweden(SE)

Waste Electrical and Electronic Equipment recycling



This symbol on the product or its packaging indicates that this product must not be disposed of as household or commercial waste. Some countries have set up collection and recycling systems for waste electrical and electronic products. By ensuring that this product and its packaging is disposed of correctly, you will help prevent potentially negative consequences for the environment and human health, and help conserve natural resources. Please dispose of your waste product according to your national and local regulations. Contact your service provider or Kirisun for information about disposing of this product in your region of the world.

Disposing of batteries



Your radio is supplied with a rechargeable lithium-ion battery. This symbol on the battery and its packaging indicates that it must not be disposed of with household or commercial waste. Please dispose of your waste batteries according to your national and local regulations. Contact your service provider or Kirisun about recycling batteries in your region of the world.

US Markets

FCC radiation exposure statement

This radio is intended for use in occupational/controlled applications where users have been made aware of the potential risks for exposure and can exercise control over their exposure. This product is not authorised for general population, consumer or similar use.

This transmitter must not be co-located or operated in conjunction with any other antenna or transmitter.

Content

1	Unpacking and Checking	1
1.1	Supplied Accessories	1
2	Battery Information	2
2.1	Notice	2
2.2	Battery Charging.....	3
3	Attaching the Accessories	4
3.1	Attaching/Detaching the Battery	4
3.2	Attaching/Detaching the Antenna	4
3.3	Attaching/Detaching the Belt Clip	5
3.4	Attaching the Microphone	5
4	Introduction	6
5	Programmable Keys	8
5.1	Programmable Keys	8
5.2	LED Indication	9
6	Basic Operation.....	10
6.1	Power on/off the Radio	10
6.2	Selecting the Channel	10

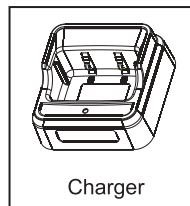
6.3	Adjusting the Volume.....	11
6.4	Initiating a Call	11
6.5	Receiving.....	11
6.6	Replying to the Call	11
7	Features and Operation	12
7.1	TOT (time-out-timer).....	12
7.2	Channel Scan	12
7.3	Initiating a Call during Scan	12
7.4	Priority Scan	12
7.5	Radio Disable and Enable	13
7.6	Radio Kill	13
7.7	Emergency	13
7.8	Enabling Color Code on Digital Mode	14
8	Trouble shooting.....	15

1 Unpacking and Checking

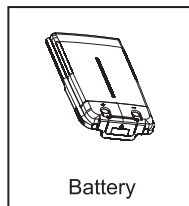
Please carefully open the box, and check if the accessories listed below are contained in the package. For any missed or damaged item, please contact your local dealer for solution.

1.1 Supplied Accessories

Material	Quantity
Radio	1
Charger	1
Power Adaptor	1
Battery	1
Belt Clip	1
Antenna	1
Strip	1
User Manual	1



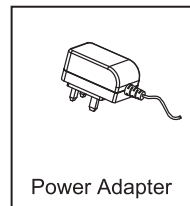
Charger



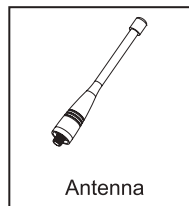
Battery



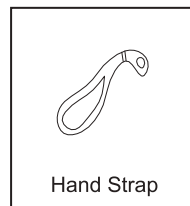
Belt Clip and Screws



Power Adaptor



Antenna



Hand Strap

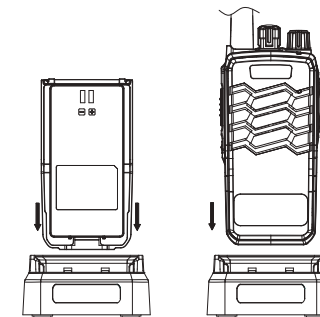
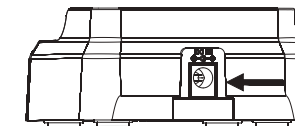
2 Battery Information

2.1 Notice

The battery is not charged before delivery, so please charge the battery for your first use. If the battery is not used for a long time or the battery is used up, please charge it before use. Charge/discharge for twice or three times alternately to achieve its optimal performance. For low battery, please charge it or replace it.

Note:

- ◆ Do not cause any short circuit on the battery or throw the battery into fire.
- ◆ When attaching the battery to the radio for charging, please make sure the radio is powered off to guarantee it can be fully charged.
- ◆ Do not leave the radio or battery on the charger after it is fully charged. Unnecessary constant charging will shorten the battery life.
- ◆ Do not put the fully-charged battery back to the charger for re-charging, or it may shorten the battery life.
- ◆ Please try to keep the battery in an indoor environment at around 25°C. The battery may get easily spoiled after being kept in the environment below -10°C for a long time.
- ◆ In temperature higher than 35°C or below -10°C, the dischargeable power of the battery may decrease due to the physical property of lithium battery.



2.2 Battery Charging

- (1) Plug the power adaptor in the proper socket of AC power.
- (2) Plug the cable of the power adaptor at the back of the socket, and the green indicator glows.
- (3) Plug the battery or radio in the charger.
- (4) Make sure that the battery is in proper contact with the charger terminal, and the red indicator glows.
- (5) After the battery is charged for 6 hours, the red light goes out, indicating that the battery is fully charged.
- (6) When the green indicator glows, keep the battery on the charger for 1-2 hours before taking it out so as to achieve the optimal performance.
- (7) Take out the power adaptor from the socket of AC power output.

Note:

- ◆ The battery is not charged before delivery from the factory, so please charge the battery before your first use.
- ◆ Tait T03-00220-AAAA lithium-ion can be used for this radio.
- ◆ If the battery which is stored for over 2 months or a new battery is charged for the first time, it should be charged repeatedly to gain full battery capacity. The battery should be at least charged once every three months.
- ◆ When the battery is fully charged or the battery power is above the level of low power alert, do not charge the battery, or it may affect the battery life and performance. Please take out the battery from the charger after it is fully charged.
- ◆ When the radio enters the state of low voltage alarm, please charge the battery before using it and do not force to power on the radio in case that the battery life and performance is impaired.
- ◆ There is protection circuit inside KB-760B lithium battery. The power supply will be cut off in state of low power, and when you charge it in the charger, the indicator will glow after 1-5 minutes.

3 Attaching the Accessories

3.1 Attaching/Detaching the Battery

◆ Attaching the Battery

- (1) Slightly press the top of the belt clip as shown in ①;

◆ Detaching the battery

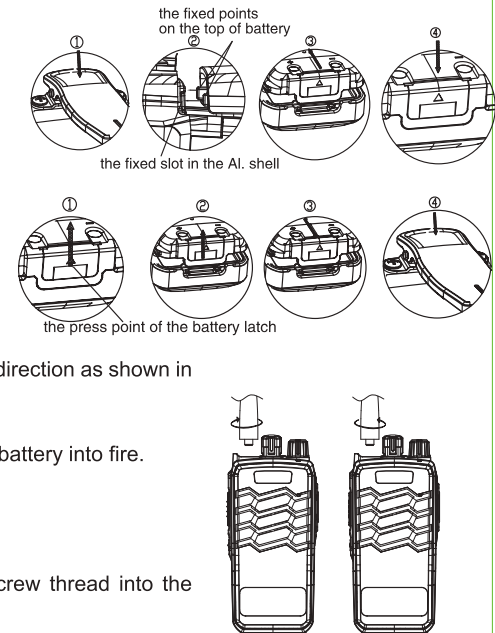
- (1) For detaching the battery, please first turn off the radio.
- (2) Slide the battery latch along the direction as shown in ① to bounce the battery as shown in ②.
- (3) Slide to take out the battery along the direction as shown in ③. If there is belt clip, slightly press the belt clip top as shown in ④ and slide the battery along the direction as shown in ③ to take out the battery.

Note:

- ◆ Do not throw the battery terminals with short circuit or battery into fire.
- ◆ Do not remove the battery case without permission.

3.2 Attaching/Detaching the Antenna

For attaching the antenna, put the antenna's end with screw thread into the



antenna port.

Turn the antenna clockwise until it is fixed.

For detaching the antenna, turn it counter-clockwise.

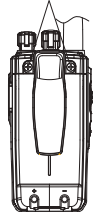
3.3 Attaching/Detaching the Belt Clip

Align the two screws on the belt clip with the screw holes at the back of the radio.

Use two 2.5x6.5 machine screws.

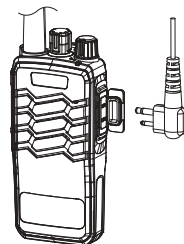
When detaching, loosen the two screws on the belt clip and remove the belt clip.

M2.5*6.5 screw to fasten the belt clip

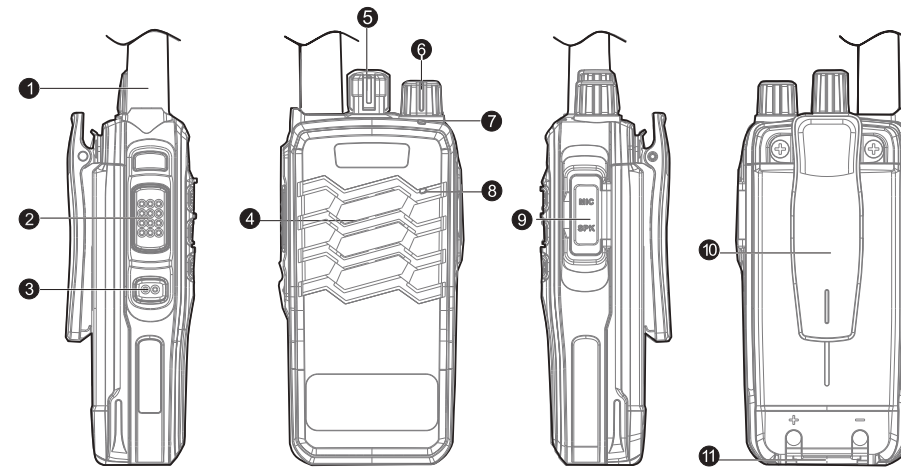


3.4 Attaching the Microphone

Open the earphone cover plate on the right and connect the earphone cable to the port.



4 Introduction



No.	Part Name
1	Antenna

No.	Part Name
2	PTT key Press this key to initiate a call and talk
3	Side key (programmable key) This key can be set with different features by dealer. Please refer to “5 Programmable Keys” for further details
4	Speaker Voice Output.
5	Channel Knob Rotate the knob to select channel 1-16.
6	Power/Volume Knob Turn it clockwise to turn on the radio. For turning off the radio, turn it counter-clockwise until a click is heard. When the radio is on, rotate the knob to adjust the volume.
7	LED Indicator Red indicator means the radio is transmitting, green means receiving and when the red indicator flashes, it means power shortage.
8	Microphone Voice input
9	External port Open the cover plate and connect the external speaker and microphone
10	Belt Clip
11	Battery Latch

5 Programmable Keys

5.1 Programmable Keys

To suit the operation habits of customer, programmable keys (side keys) are available and can be set by dealer as shortcut key.

Note:

Short Press: press and release quickly.

Long Press: press and hold for a while (press duration can be set by programming software)

No.	Programmable Feature	Application
1	None	No feature
2	High/Low Power	Switch to high and low power
3	Monitor	If the current analogue channel has CTCSS, press this key and switch to carrier squelch mode to cancel CTCSS; press it again to go back to the original state.
4	Emergency	Starts the emergency feature. Used for seeking help in emergency.
5	Emergency Exit	Exits the emergency state.

6	Squelch on/off	Enable/Disable squelch feature. Used for receiving the weak signals on the analogue channel.
7	Squelch Level	Adjusts the signal strength required when receiving.
8	Scan	Enable/Disable scan feature and listens to the communication activities on other channels.
9	Alert Tone on/off	Enable/disable all the alert tones.
10	Zone Selection	Press this key to switch among different zones. The zones are programmed by programming software.
11	Repeater/Talk around	Enable/disable Repeater feature.
12	Nuisance Delete	Deletes the channel which is useless from the scan list.

5.2 LED Indication

State	Operation
Glow red	Transmitting
Glow green	Receiving

State	Operation
Flashes red	Low battery
Flashes green	Channels are being scanned
Flashes orange	Digital call hang time and it will exit when the hang time is up
Glow orange	Blank channel which is not available. Switch to other channel to exit.
Flashes red quickly	The programming software is reading the parameters available for configuration
Flashes green quickly	The programming software is writing the parameters which is available for configuration into the radio.

6 Basic Operation

6.1 Power on/off the Radio

When the radio is off, rotate the power/volume knob clockwise until a click is heard to power on the radio.
When the radio is on, rotate the power/volume knob counter-clockwise until a click is heard to turn off the radio.

6.2 Selecting the Channel

When the radio is on, rotate the channel selector knob to select channels.

6.3 Adjusting the Volume

When the radio is on, rotate the power/volume knob clockwise to increase the volume and counter-clockwise to decrease the volume.

6.4 Initiating a Call

Press PTT button to initiate a call to the default contact on the current channel when it is digital channel. The default contact on the current channel can be programmed by dealer.

6.5 Receiving

When the radio receives the right signal on the current channel and green LED will light.

When the current channel is digital channel and when it received private call, group call or all call, the radio will output the voice from the channel.

When the channel is analogue channel and when it received analogue signals with CTCSS matching the one on this channel (or there is no CTCSS set on the channel), the radio will output voice form the channel.

6.6 Replying to the Call

When the current channel is digital channel and after a call is received, press PTT button within the call hang time to reply. If the call hang time is up, you need to initiate a call to reply. The call hang time can be set by dealer.

When the current channel is analogue channel and after a call is received, press PTT button within the call hang time and speak to the microphone to reply.

7 Features and Operation

7.1 TOT (time-out-timer)

TOT prevents the user from occupying the channel for too long. If the continuous transmission exceeds the duration set by dealer, the radio will stop transmitting and sound alarm. For stopping alarm, release PTT button. For transmission again, please press PTT button after a certain time interval (interval set by dealer). If the dealer set pre-alarm feature, pre-alarm will sound before TOT time is up.

7.2 Channel Scan

Channel scan searches channels with signals. When the channel scanned has signals, the radio will stay on this channel for communication. Scan method is carrier control scan.

By pressing the Scan shortcut key, the radio can scan the scan list related to the current channel. When the radio is in scan state, press the Scan shortcut key again to stop the scan.

7.3 Initiating a Call during Scan

When the radio is scanning, press PTT button and the radio will transmit and talk on the predefined channel. This channel is set by dealer.

7.4 Priority Scan

When there is priority scan set in the scan list, the priority scan will be automatically enabled when the radio starts the scan feature. The priority scan mode is cycle scan, and it scans priority channel every time when it scans a conventional channel. For example, if there are channel 1, 2, 3, 4 in the scan list and channel 2 is priority channel, the scan cycle will be 1->2->3->2->4->2->1.

7.5 Radio Disable and Enable

If enabled, the radio is able to decode the Radio Disable and Radio Enable command. Disabled radios can not transmit or receive any signals but radio enable command. only be revived through re-programming or decoding the Radio Enable command.

7.6 Radio Kill

If enabled, the radio is allowed to decode radio kill command. After being killed, the radio cannot transmit or receive any signals and can only be revived through re-programming.

Only valid in digital mode.

7.7 Emergency

In state of emergency, press the Emergency shortcut key to send emergency alarm.

Emergency alarm consists of two parts: alarm type and alarm mode. Alarm mode is used to specify the contents sent to other members in emergency. You can ask your dealer to set these parameters based on your requirements.

For exiting emergency, press again the Emergency shortcut key.

◆ Alarm Mode

Emergency Alarm: enable to send alarm and exit alarm state automatically afterwards.

Emergency Alarm + Emergency Call: after the radio sends emergency alarm, press PTT button to send emergency call.

Emergency Alarm + Auto Background Tone: after the radio sends emergency alarm, the background tone will be sent automatically in the way of emergency call.

◆ Alarm Type

None: no alarm feature (default).

Siren Only: after the radio enters the alarm state, the siren can only sound locally and the control center will not receive any alarm signals.

Conventional: after the radio enters alarm state, there will be light and sound alert and it can also receive response from other members.

Secret: after the radio enters alarm state, there will be no light or sound alert, and it cannot receive response from other members.

Secret with Voice: after the radio enters alarm state, there will be no light or sound alert but it can receive response from other members.

Note:

Emergency Alarm: the radio transmits non-speech signal to trigger the alarm sent from other radios.

Emergency Call: it is a call mode which is faster in occupying channel than common calls, which ensures smooth call in emergency.

7.8 Enabling Color Code on Digital Mode

Only when both the color code and ID matches, the speaker can be turned on to receive.

Range: 0~15 (16 groups of color codes)

8 Trouble shooting

No.	Problem	Cause and Solution
1	Failed to power on	A. The battery is used up –charge the battery or change to a new battery; B. Volume switch is faulty – repair at the specified service station;
2	Small voice during call	A. speaks too far from the microphone – the ideal distance: 3-10cm; B. wrong volume setting – turn the volume knob clockwise to increase the volume;
3	Failed to transmit or receive	A. wrong channel parameters – reset the parameters and try again; B. the group identity for default contact is wrong – select a right group; C. Beyond the communication scope.

FCC Warning:

Any Changes or modifications not expressly approved by the party responsible for compliance could void the user's authority to operate the equipment.

This device complies with part 15 of the FCC Rules. Operation is subject to the following two conditions: (1) This device may not cause harmful interference, and (2) this device must accept any interference received, including interference that may cause undesired operation.

Note: This equipment has been tested and found to comply with the limits for a Class B digital device, pursuant to part 15 of the FCC Rules. These limits are designed to provide reasonable protection against harmful interference in a residential installation. This equipment generates, uses and can radiate radio frequency energy and, if not installed and used in accordance with the instructions, may cause harmful interference to radio communications. However, there is no guarantee that interference will not occur in a particular installation. If this equipment does cause harmful interference to radio or television reception, which can be determined by turning the equipment off and on, the user is encouraged to try to correct the interference by one or more of the following measures:

- Reorient or relocate the receiving antenna.
- Increase the separation between the equipment and receiver.
- Connect the equipment into an outlet on a circuit different from that to which the receiver is connected.
- Consult the dealer or an experienced radio/TV technician for help.

This product meets the applicable Industry Canada technical specifications. / Le présent matériel est conforme aux spécifications techniques applicables d'Industrie Canada.

RF Radiation Information

1. This product is limited to occupational applications that can meet RF energy radiation requirements. The user must be fully aware of the RF radiation hazards and can take corresponding measures to meet the RF radiation limitation requirements.
2. Radio frequency (RF) refers to the electromagnetic frequency that can be radiated into space. It is a widely used technology in the fields of communication, medical treatment, and food processing. It will generate certain RF radiation during use.

Safety Information

In order to use the radio safely and efficiently, please read the following safety information:

- The radio can only be maintained by professional technicians. Do not disassemble the radio without permission.
- Only the batteries and chargers specified by our company can be used.
- To avoid problems caused by electromagnetic interference and electromagnetic compatibility, please turn off the radio in places where the "Please turn off the radio" sign is displayed, such as hospitals and other health care places. When taking the flight, please turn off the radio if the crew requests to do so.



- In vehicles with airbags, do not place the radio where airbag deployment may be involved.
- Please turn off the radio before entering flammable or explosive environment.
- Do not replace or charge the battery in a flammable or explosive environment.
- Please turn off the radio before approaching the blasting area and the detonator area.
- Do not use the radio with damaged antenna. A damaged antenna may cause minor burns when it comes into contact with the skin.
- Do not expose the radio to direct sunlight for a long time or place it near the heating Radio.
- If you wear a portable radio, make sure the antenna is at least 2.5 cm away from your body when the radio is transmitting.

IC Warning: This device contains licence-exempt transmitter(s)/receiver(s) that comply with Innovation, Science and Economic Development Canada's licence-exempt RSS(s). Operation is subject to the following two conditions:

1. This device may not cause interference.
 2. This device must accept any interference, including interference that may cause undesired operation of the device.
- Cet appareil contient un ou des émetteurs/récepteurs exempts de licence conformes aux RSS exempts de licence d'Innovation, Sciences et Développement économique Canada. Le fonctionnement est soumis aux deux conditions suivantes : (1) l'appareil ne doit pas produire de brouillage, et (2) l'utilisateur de l'appareil doit accepter tout brouillage radioélectrique subi, même si le brouillage est susceptible d'en compromettre le fonctionnement.

RF Exposure Compliance and Control Guidelines and Operating Instructions

To control your exposure and ensure compliance with the occupational/controlled environment exposure limits always adhere to the following procedures.

Guidelines:

- . Do not remove the RF Exposure Label from the device.
- . User awareness instructions should accompany device when transferred to other users.
- . Do not use this device if the operational requirements described herein are not met.

Operating Instructions:

- . Transmit no more than the rated duty factor of 50% of the time. To transmit (talk), push the Push-To-Talk (PTT) button. To receive calls, release the PTT button.

Transmitting 50 % of the time, or less, is important because this radio generates measurable RF energy exposure only when transmitting (in terms of measuring for standards compliance).

- . Hold the radio in a vertical position in front of face with the microphone (and the other parts of the radio, including the antenna) at least one inch (2.5 cm) away from the nose. Keeping the radio at the proper distance is important because RF exposures decrease with distance from the antenna. Antenna should be kept away from eyes.

- . When worn on the body, always place the radio in approved clip, holder, holster, case, or body harness for this product. Use of non-approved accessories may result in exposure levels, which exceed the occupational/controlled environment RF exposure limits.

- . Use only manufacturer's name approved supplied or replacement antennas, batteries, and accessories. Use of non-manufacturer-name approved antennas, batteries, and accessories may exceed the FCC and IC RF exposure guidelines.

- . For a list approved accessories please consult your local dealer for information.

Pour contrôler votre exposition et garantir le respect des limites d'exposition en milieu professionnel / contrôlé, respectez toujours les procédures suivantes.

Des lignes directrices:

- Ne retirez pas l'étiquette d'exposition RF de l'appareil.
- Les instructions de sensibilisation de l'utilisateur doivent accompagner l'appareil lorsqu'il est transféré à d'autres utilisateurs.
- N'utilisez pas cet appareil si les exigences opérationnelles décrites ici ne sont pas satisfaites.

Mode d'emploi:

- Ne transmettez pas plus que le facteur de service nominal de 50% du temps. Pour transmettre (parler), appuyez sur le bouton Push-To-Talk (PTT). Pour recevoir des appels, relâchez le bouton PTT. La transmission à 50% du temps, ou moins, est importante car cette radio génère une exposition à l'énergie RF mesurable uniquement lors de la transmission (en termes de mesure de conformité aux normes).
- Tenez la radio en position verticale devant le visage avec le microphone (et les autres parties de la radio, y compris l'antenne) à au moins 2,5 cm (2,5 cm) du nez. Il est important de garder la radio à la bonne distance car les expositions aux RF diminuent avec la distance de l'antenne. L'antenne doit être éloignée des yeux.

- Lorsqu'elle est portée sur le corps, placez toujours la radio dans un clip, un support, un étui, un étui ou un harnais de sécurité approuvés pour ce produit. L'utilisation d'accessoires non approuvés peut entraîner des niveaux d'exposition qui dépassent les limites d'exposition aux RF de l'environnement professionnel / contrôlé.

- Utilisez uniquement les antennes, batteries et accessoires fournis ou de remplacement approuvés par le fabricant. L'utilisation d'antennes, de batteries et d'accessoires non approuvés par le fabricant peut dépasser les directives d'exposition RF FCC et IC.

- Pour obtenir une liste des accessoires approuvés, veuillez consulter votre revendeur local pour plus d'informations.