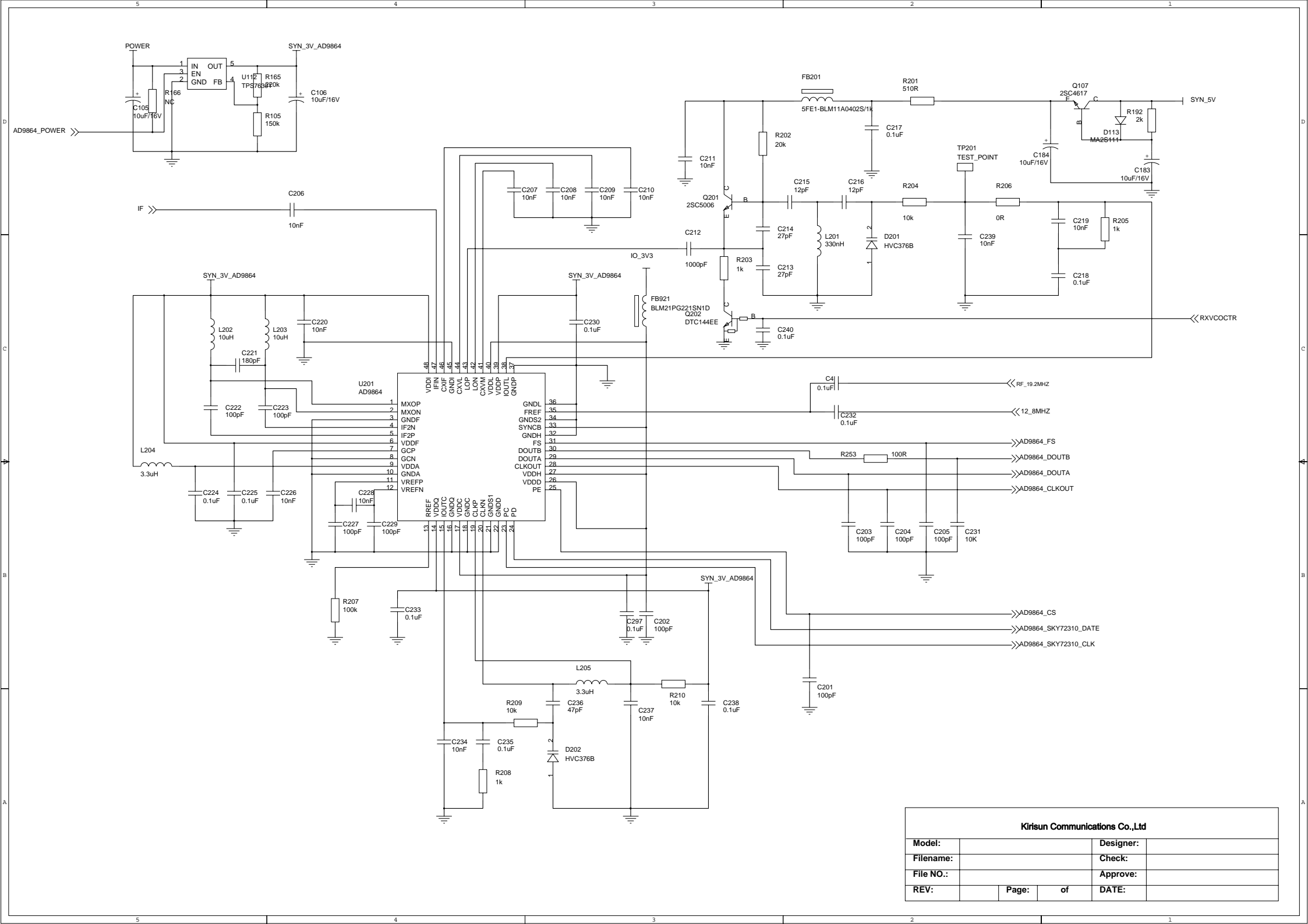
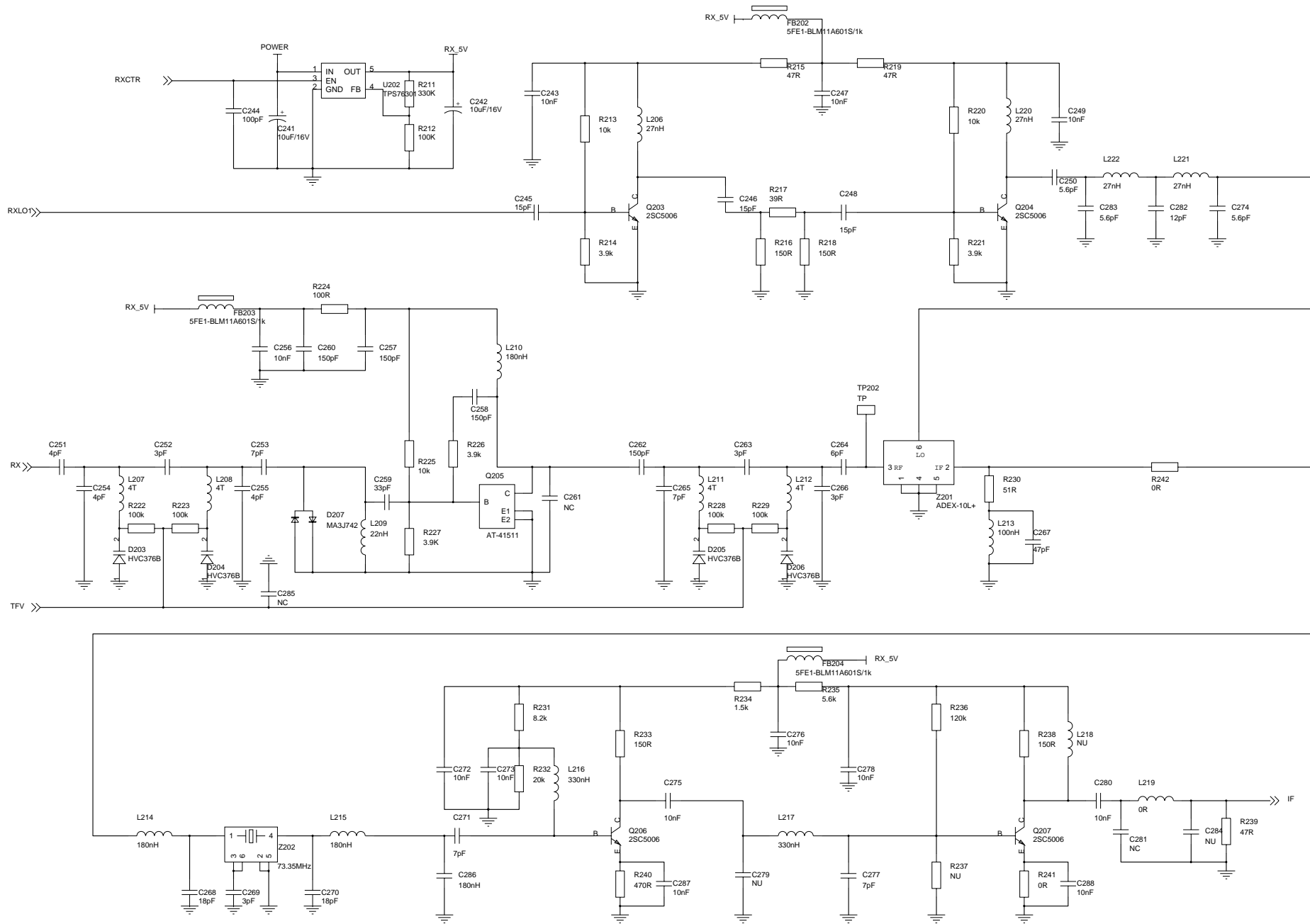


Kirsun Communications Co.,Ltd			
Model:		Designer:	
Filename:		Check:	
File NO.:		Approve:	
REV:	Page:	of	DATE:



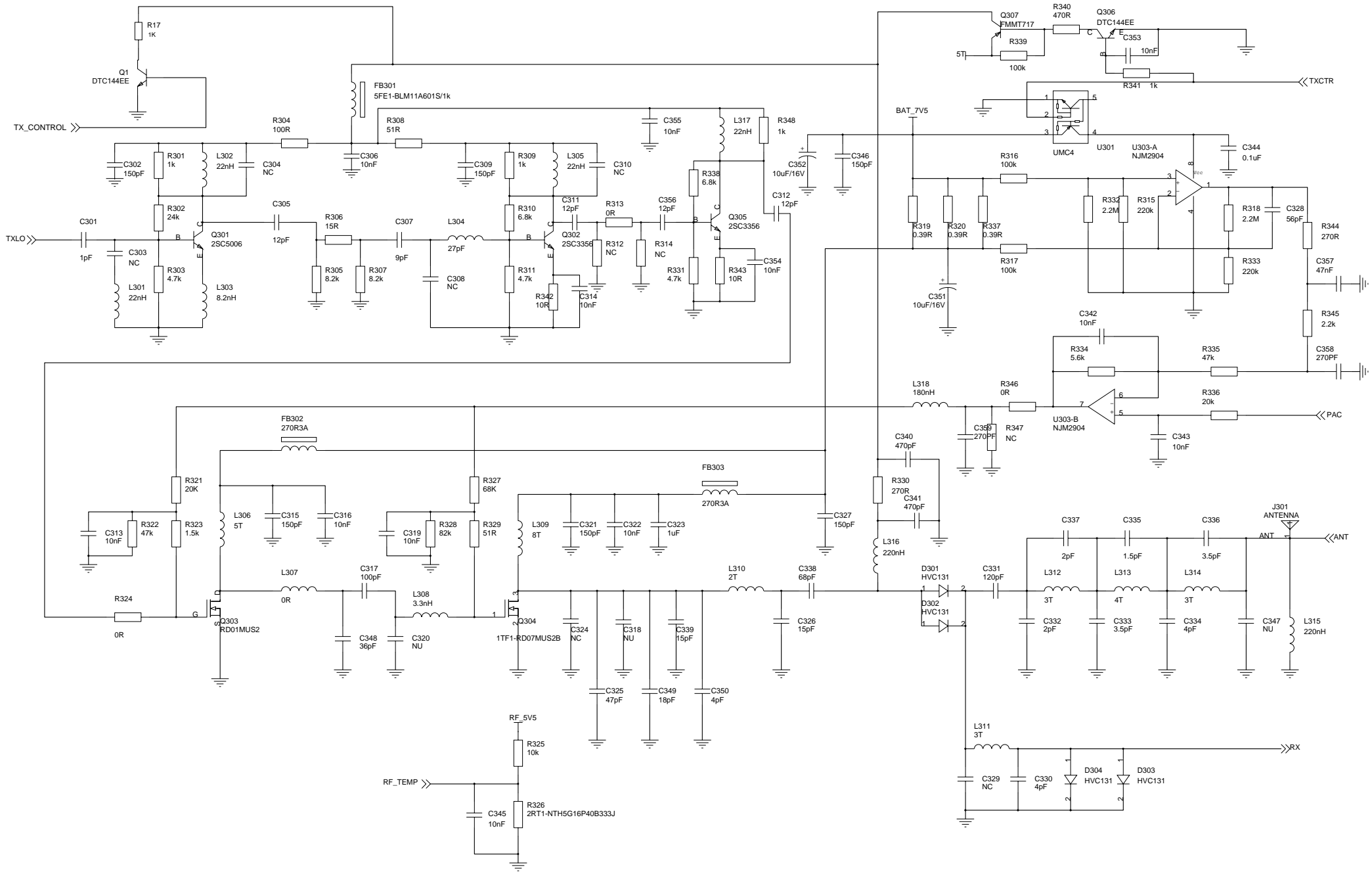
Kirusun Communications Co.,Ltd

Model:		Designer:	
Filename:		Check:	
File NO.:		Approve:	
REV:		Page:	of
		DATE:	

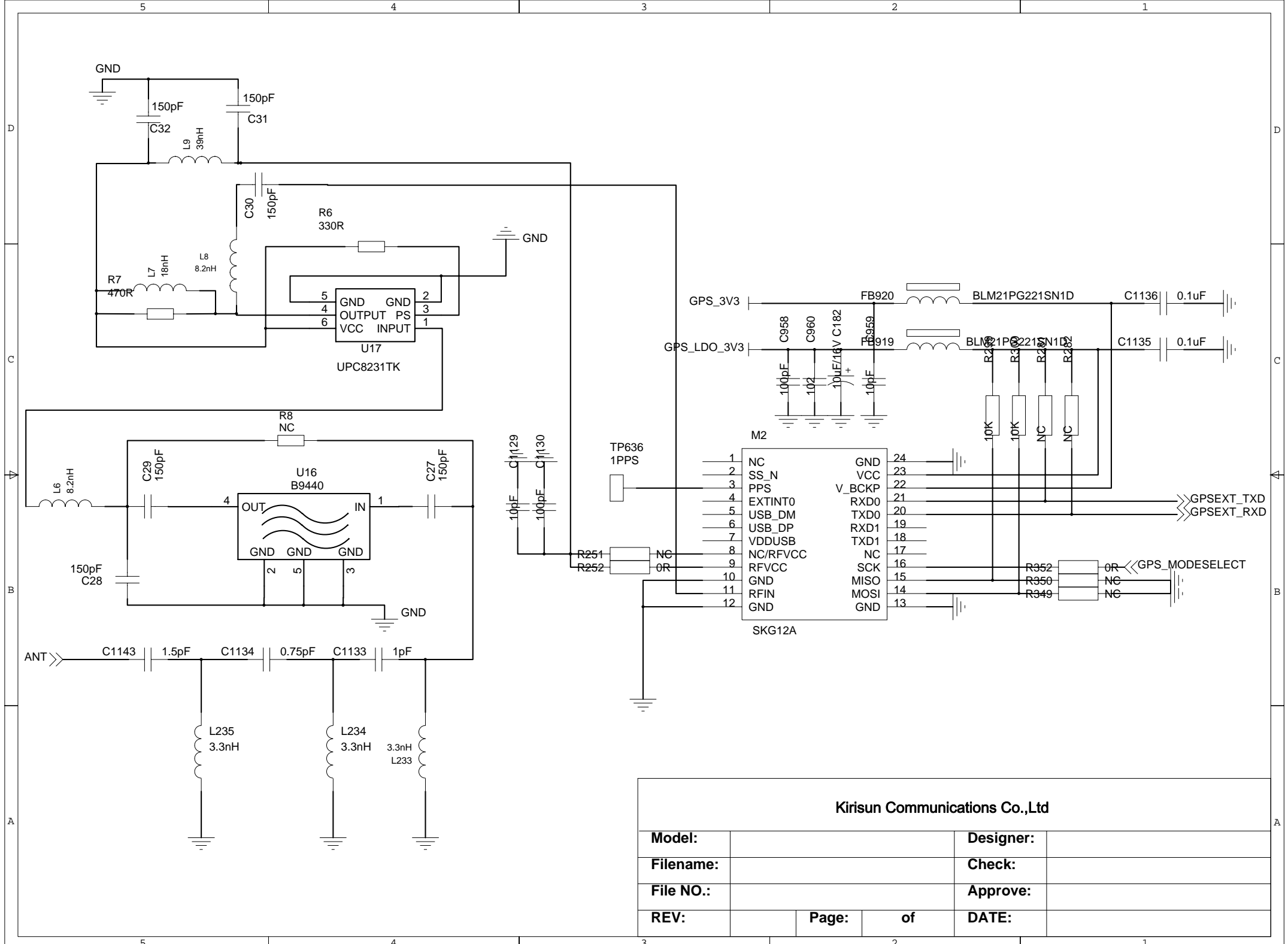


Kirisun Communications Co.,Ltd

Model:		Designer:	
Filename:		Check:	
File NO.:		Approve:	
REV:	Page:	of	DATE:

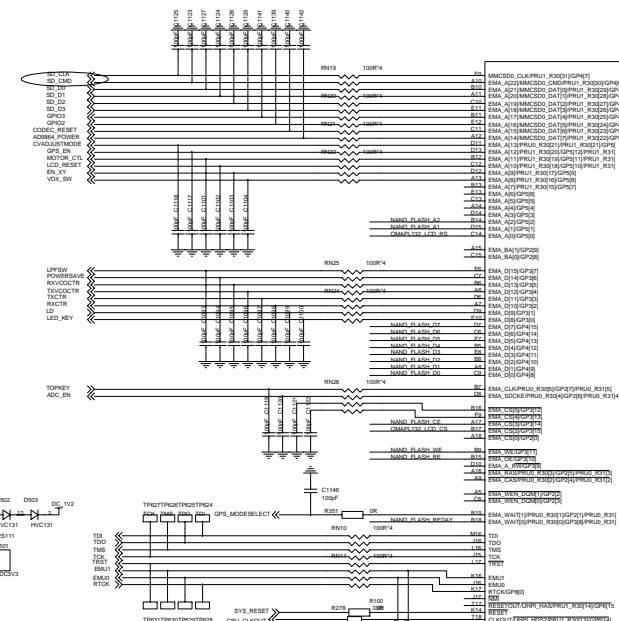
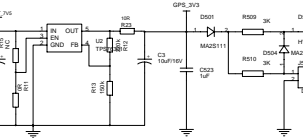
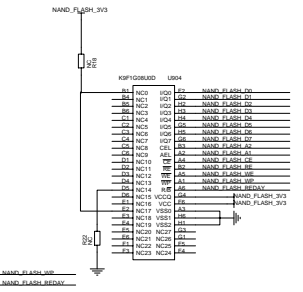
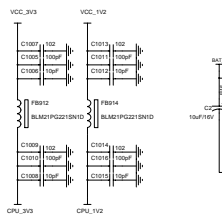
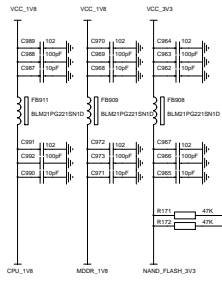


Kirisun Communications Co.,Ltd			
Model:		Designer:	
Filename:		Check:	
File NO.:		Approve:	
REV:	Page:	of	DATE:



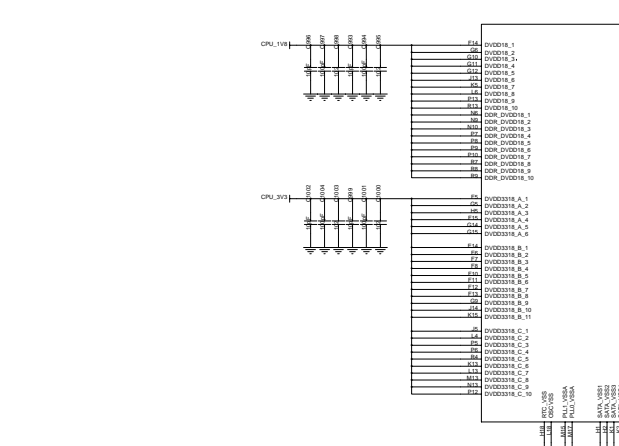
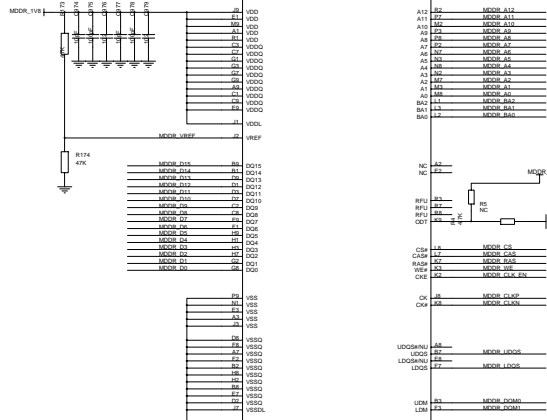
**Kirisun Communications Co.,Ltd**

<b>Model:</b>		<b>Designer:</b>	
<b>Filename:</b>		<b>Check:</b>	
<b>File NO.:</b>		<b>Approve:</b>	
<b>REV:</b>		<b>Page:</b>	<b>of</b>
		<b>DATE:</b>	



JTAG TEST POINT

USGS MT4766AMDR

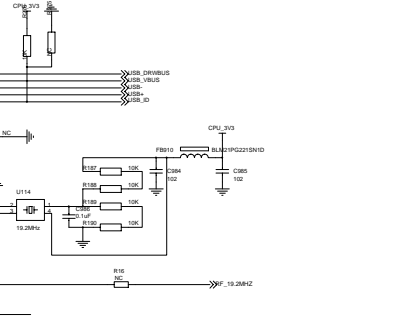
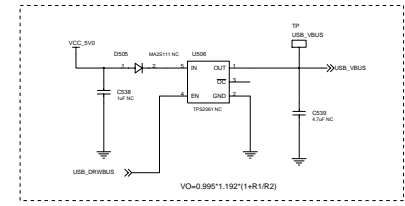
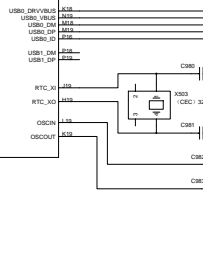
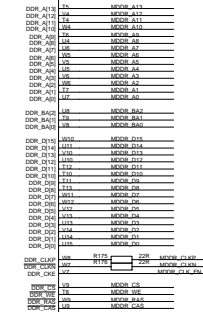


OMAP-L1382WT

STR 2 OF 3

OMAP-L1382WT

USGS 6 SYM 2 OF 3



GPIO2 ← TP93  
GPIO3 ← TP94

Kitean Communications Co., Ltd			
Model:		Designer:	
Filename:		Check:	
File NO.:		Approve:	
REV:		Page:	of DATE

HL\_CS

HL\_C1

POWER\_CTL

POWER\_KEY\_DET

EPICD\_CS

ROMB1\_DP17230\_CLK

ADDR4\_DOUTB

ROMB1\_DP17230\_DATE

DET2110\_CS

ROMB1\_C1

GPS\_RST

GPS\_TXD

TVSBM4\_CLK

TVSBM4\_DATE

TVSBM4\_FS

DCI\_SCL

DCI\_SDA

UC1\_SDA

UART\_RST

UART\_TXD

OUT17FPA

BL\_SDA

CPU\_3V3

AC1\_SDA

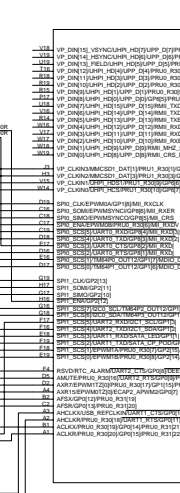
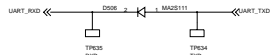
AC1\_SCL

AC1\_SDA

AC1\_SCL

ALCON2\_PA

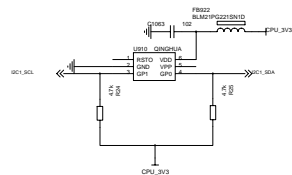
ALCON1\_PA



OMAPL1382WT

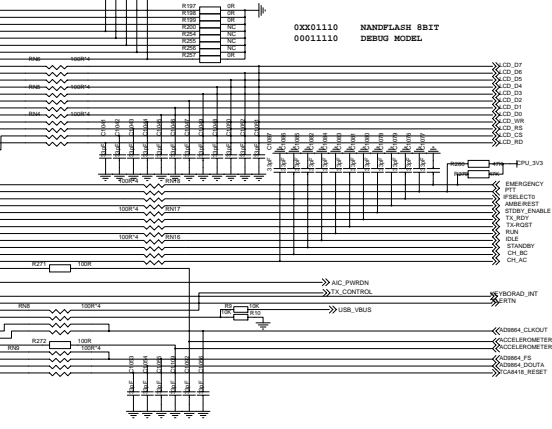
USB-C

DTM2 OF 3

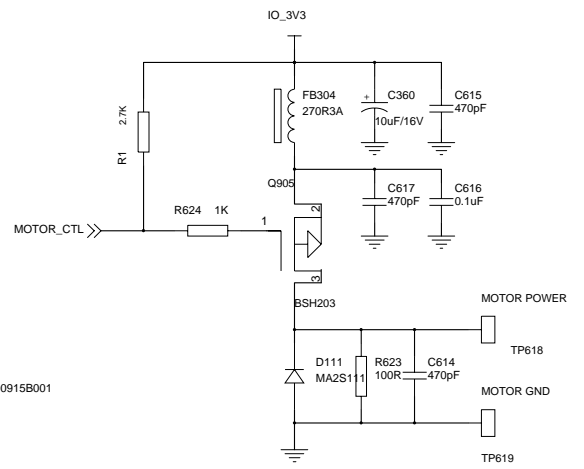
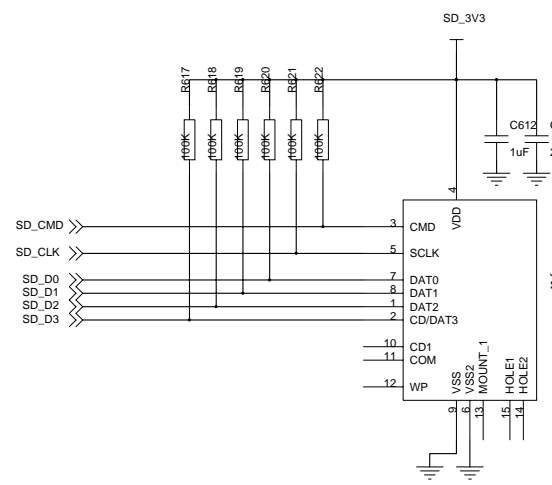
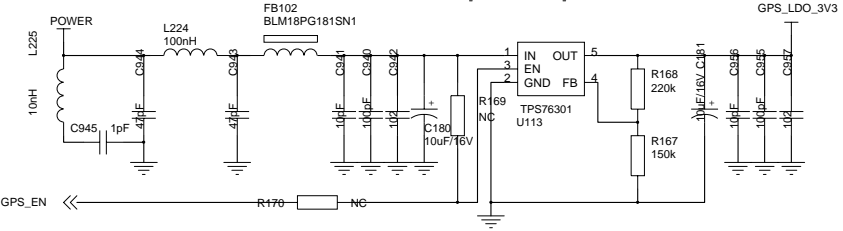
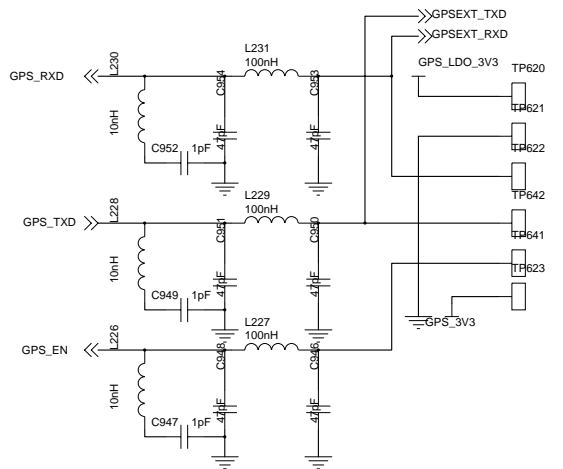
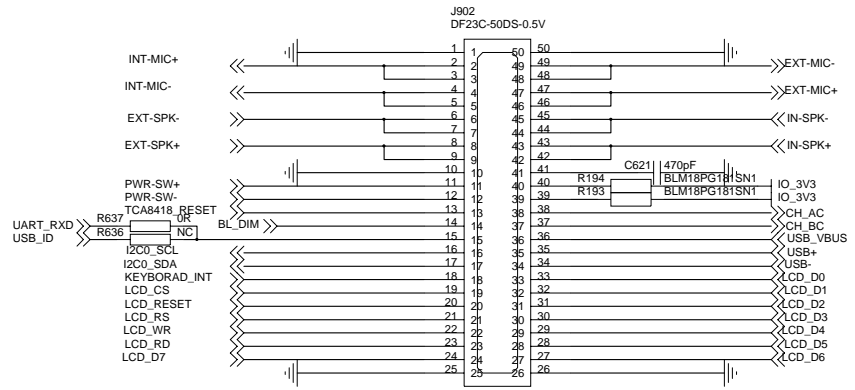
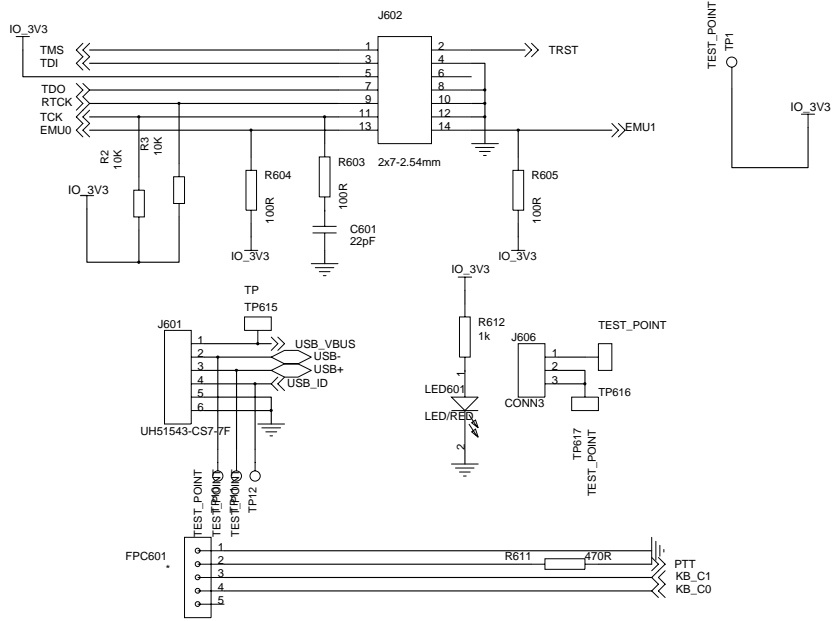


00X01110 NANDFLASH SB1T

00011110 DEBUG MODEL

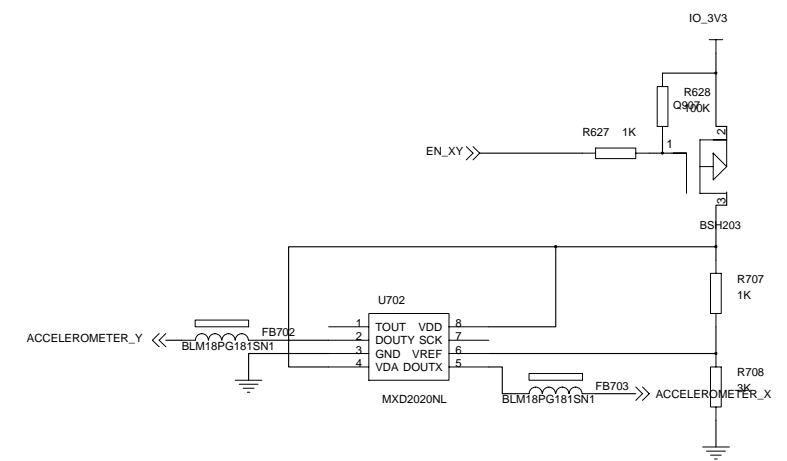
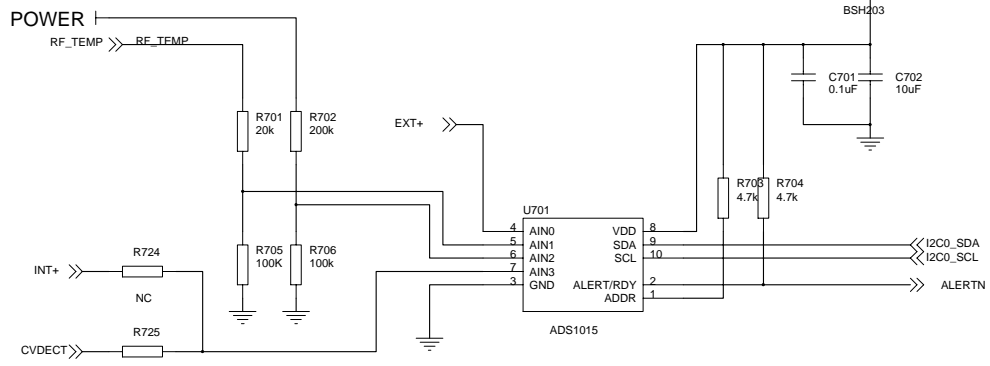
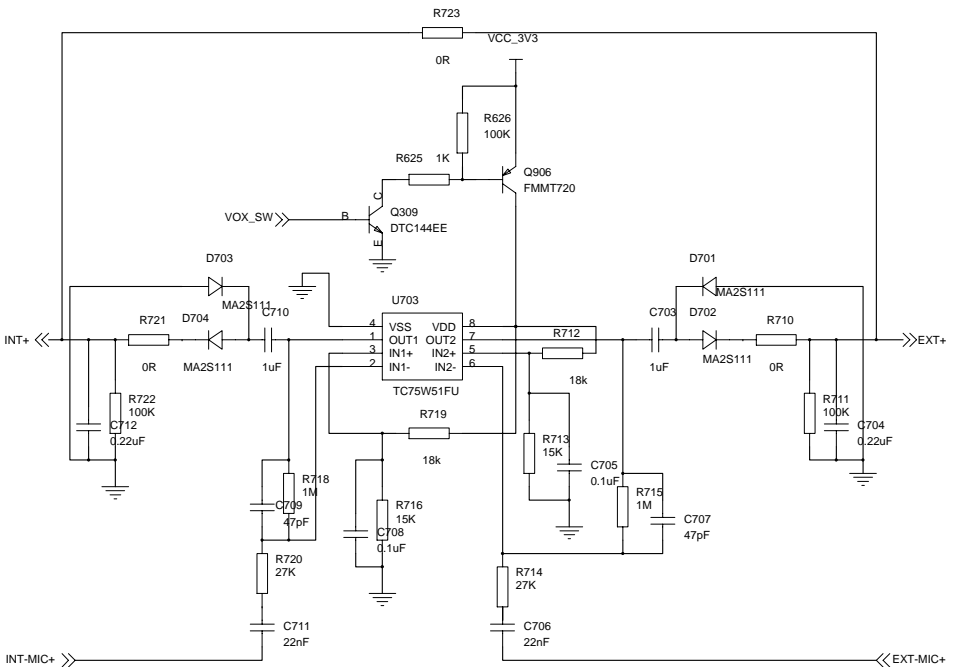
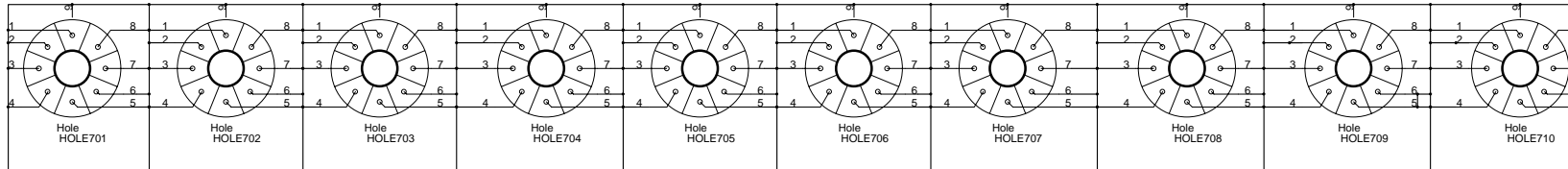


Kitean Communications Co., Ltd			
Model:		Designer:	
Filename:		Check:	
File NO.:		Approve:	
REV.:		Page:	of DATE:

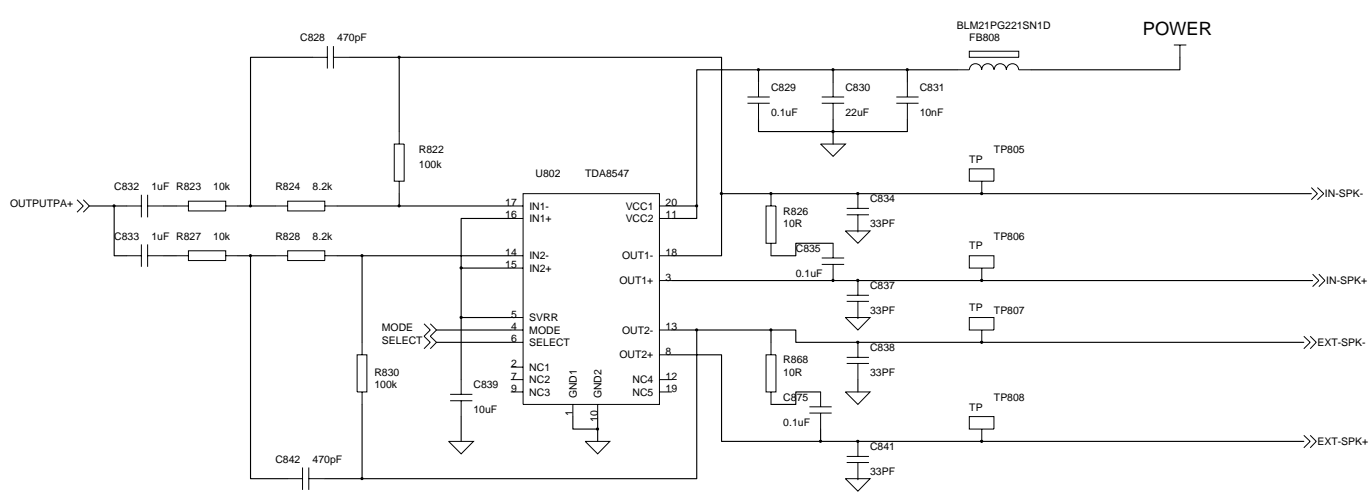
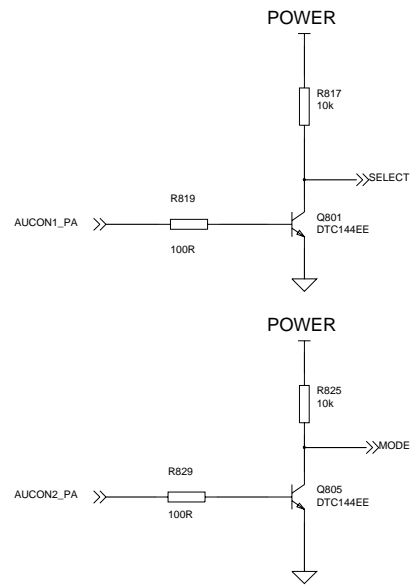
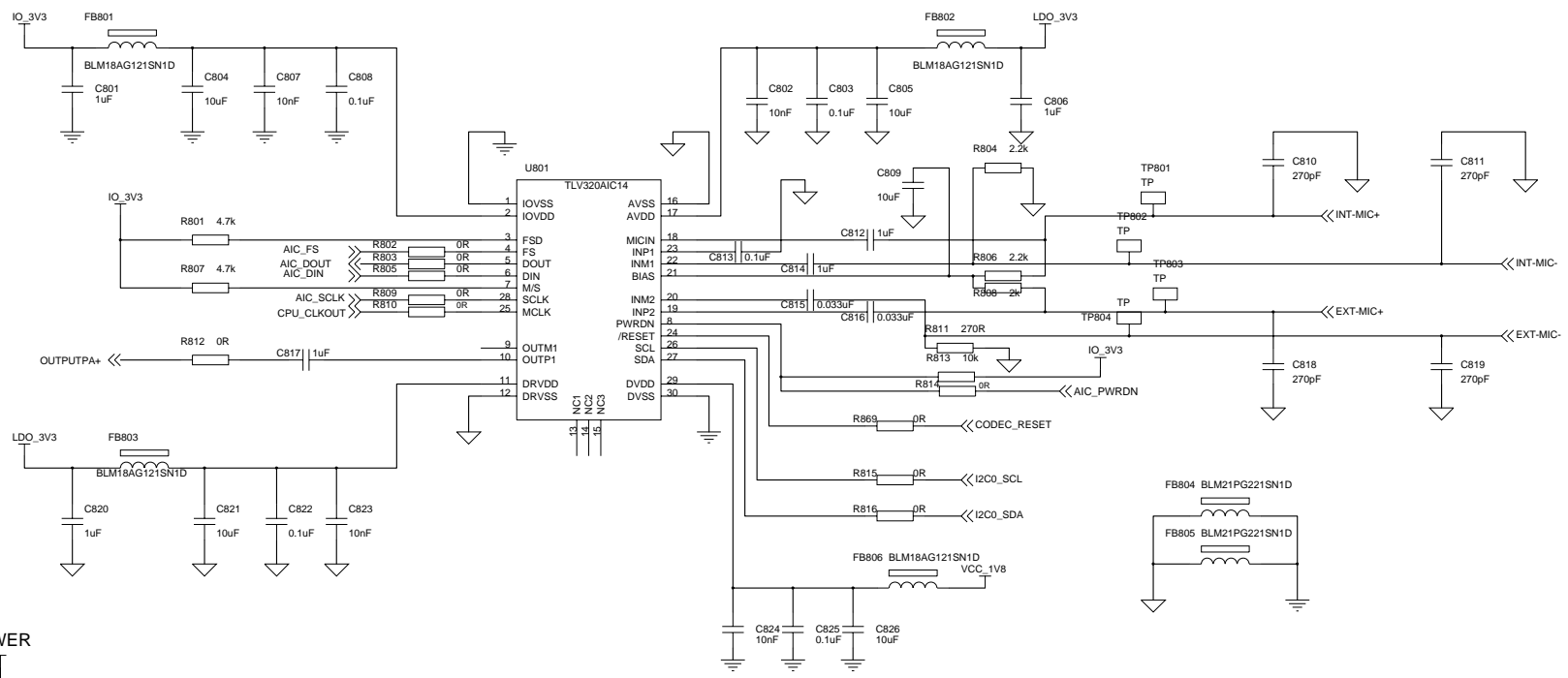


<b>Kirisun Communications Co.,Ltd</b>			
Model:		Designer:	
Filename:		Check:	
File NO.:		Approve:	
REV:	Page:	of	DATE:

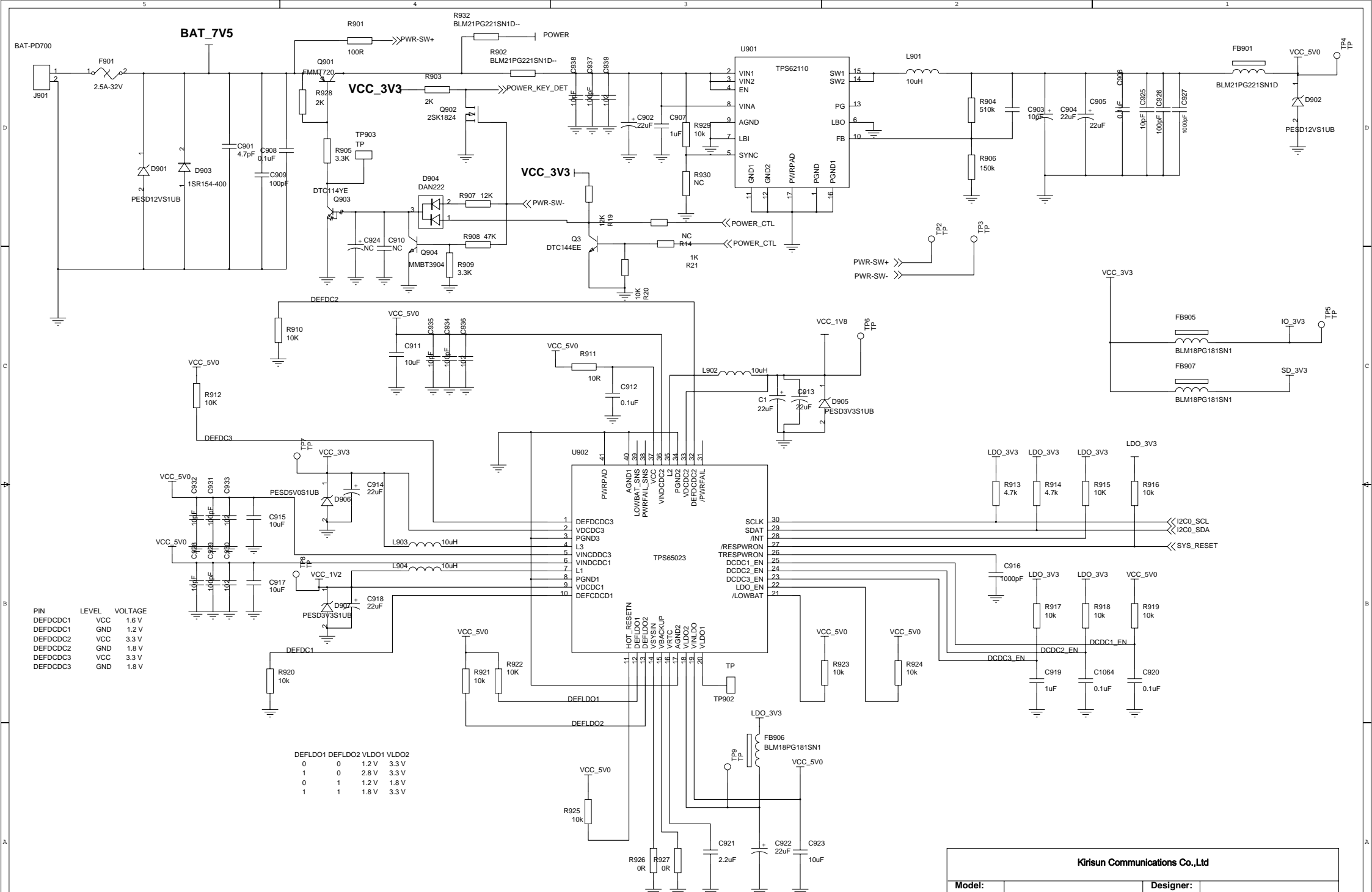




<b>Kirsun Communications Co.,Ltd</b>			
<b>Model:</b>		<b>Designer:</b>	
<b>Filename:</b>		<b>Check:</b>	
<b>File NO.:</b>		<b>Approve:</b>	
<b>REV:</b>	<b>Page:</b>	<b>of</b>	<b>DATE:</b>



Kirusun Communications Co.,Ltd			
Model:		Designer:	
Filename:		Check:	
File NO.:		Approve:	
REV:		Page:	of DATE:



PIN	LEVEL	VOLTAGE
DEFDCDC1	VCC	1.6 V
DEFDCDC1	GND	1.2 V
DEFDCDC2	VCC	3.3 V
DEFDCDC2	GND	1.8 V
DEFDCDC3	VCC	3.3 V
DEFDCDC3	GND	1.8 V

DEFLDO1	DEFLDO2	VLD01	VLD02
0	0	1.2 V	3.3 V
1	0	2.8 V	3.3 V
0	1	1.2 V	1.8 V
1	1	1.8 V	3.3 V

Kirusun Communications Co.,Ltd			
Model:		Designer:	
Filename:		Check:	
File NO.:		Approve:	
REV:	Page:	of	DATE: