

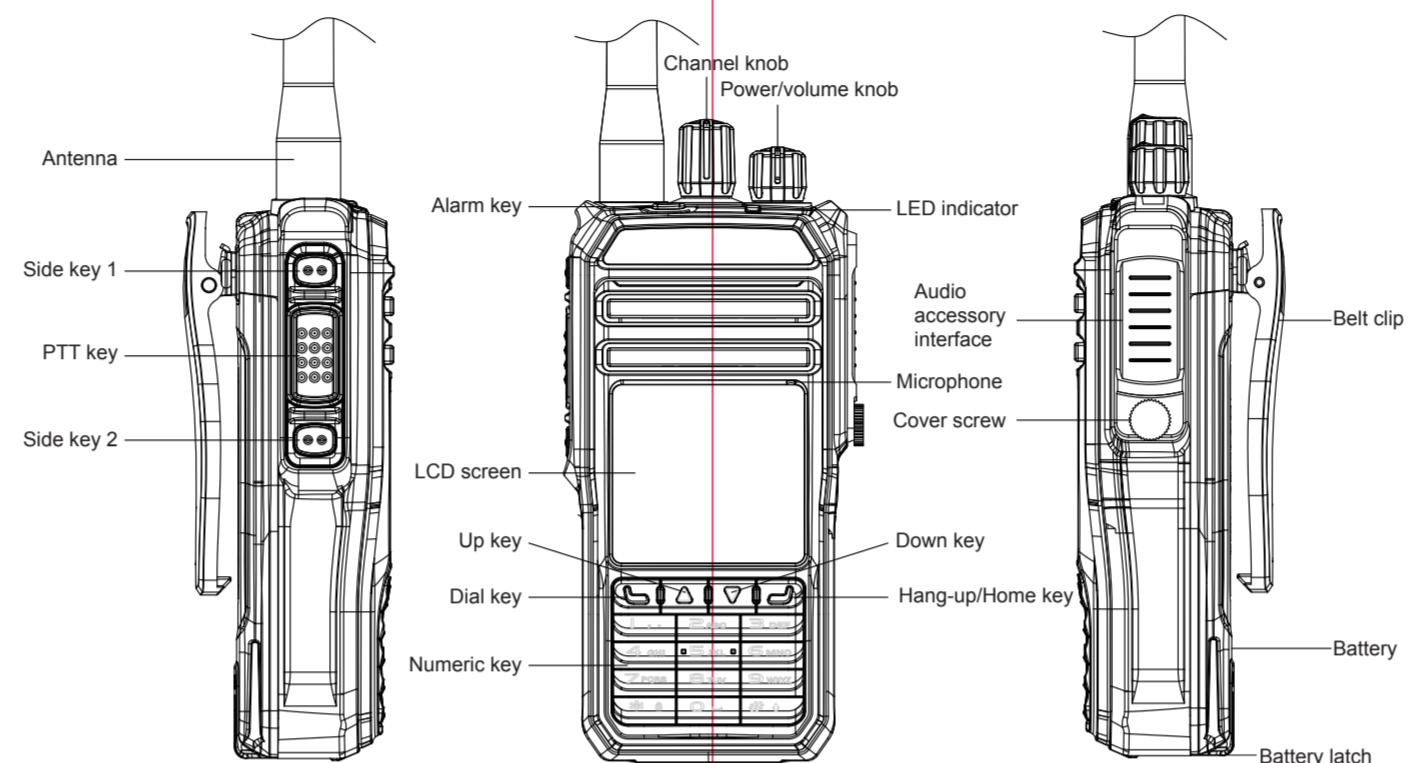


DMR Two Way Radio
Model:DP680
Series model:DP685
DP685 has no screen and keys

Quick Start Guide

Please read carefully the Safety Information and Warranty Card before using the product

Appearance

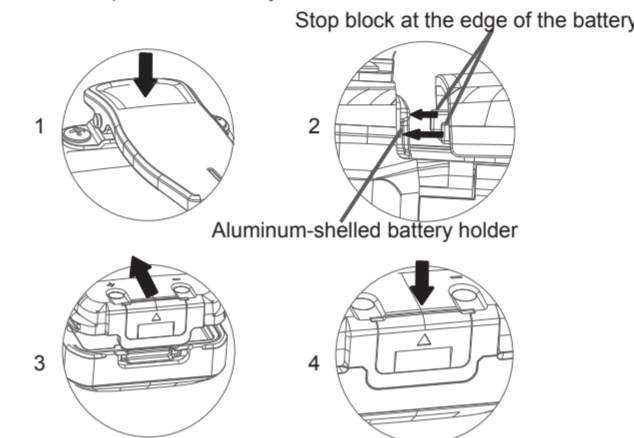


Attachments

NO	Item
1	Main unit
2	Battery
3	Antenna
4	Power adapter
5	User manual
6	Safety Information and Warranty Card
7	Safety Information Card (for intrinsically safe radio)
8	Strap
9	Desktop charger

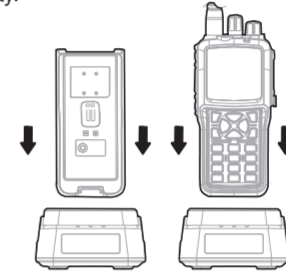
Installing/removing the battery

- Press gently the upper part of the belt clip so that it springs up.
- Align the battery with the battery holder at the back of the radio, and then insert the battery.
- Push the battery in the direction indicated until the latch is in position.
- Press the low part of the battery until it is latched.



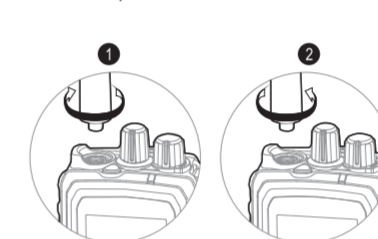
Charging the battery

- Plug the power adapter into an AC power socket of the required specifications.
 - Connect the power adapter to the charger, and green LED indicator light is on.
 - Put a battery or the radio installed with a battery into the charger, and make sure the battery contacts well the charging contacts. During charging, red indicator light is on.
 - It takes about 5 hours to fully charge the battery, and then the LED indicator light turns green. After this, wait 1 to 2 hours before taking out the battery to achieve the best performance.
 - Disconnect the power adapter from the socket.
- Note:
- The radio is delivered uncharged. Before using it for the first time, please charge the battery.
 - Always use the supplied lithium battery and desktop charger.
 - A new battery or one that has been stored for more than 2 months after charging needs to be charged for several times to achieve its normal capacity.



Installing/Uninstalling the Antenna

Insert the threaded end of the antenna into the antenna interface, and rotate the antenna tight clockwise.
To uninstall the antenna, rotate it counterclockwise.



Version: 1.0



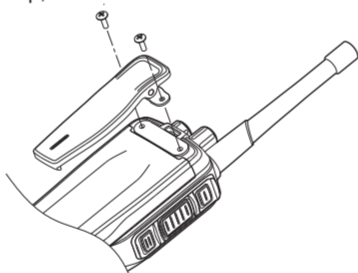
167W0600XXX



Kirisun Communication Co., Ltd.

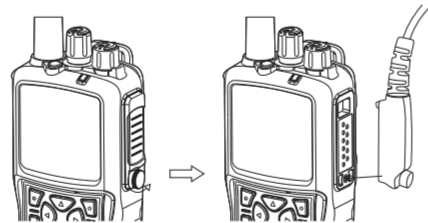
Installing/Uninstalling Belt Clip

Align the two screw holes of the belt clip with the screws holes at the back of the radio, and screw up the screws using a screwdriver. To uninstall the belt clip, unscrew the screws and take off the belt clip.



Installing Audio Accessory

Connect an audio accessory to the audio accessory interface, and fasten it using the screw.



LED Indicator

Indicator State	Radio State
Red light on	Transmitting signals.
Green light on	Receiving signals, e.g. voice, text message and data.
Orange light on	Within call hang time (in digital mode) or auto reset time (in analog mode).
Orange light flashing	In emergency state, missed a call, receiving a call alert, or scanning.
Red light flashing	Low power, receiving emergency alarm, failed startup self-detection.

Icons DP990/DP995

	Battery Level The less blank in the icon, the more remaining battery, and vice versa. When the battery is out, the icon turns red.
	RSSI The more bars, the stronger the signals, and vice versa. This icon is displayed only when signals are received.
	High-power transmission
	Low-power transmission
	Mute
	New message
	Status message
	Inbox full
	Emergency alarm mode enabled
	Encryption mode enabled
	Man Down enabled
	Voice Operated Transmitting enabled
	Initiating a call
	Receiving a call
	Talk-around mode enabled
	Roaming enabled
	GPS enabled but no GPS data received
	GPS data received
	Scanning (and the icon rotating)
	Dwell on conventional channel during scan
	Dwell on priority channel 1 during scan
	Dwell on priority channel 2 during scan
ID type	
	(Call type) individual call
	(Call type) group call
	(Call type) all call
Menu item selection	
	Item selected
	Item unselected

Basic Operation

1.Powering On/Off

To power on the radio, rotate the Power/Volume knob clockwise until you a click. The welcome page is displayed, the backlight is on, and there is a "beep" sound.
To power off the radio, rotate the Power/Volume knob counterclockwise until you a click.

2.Selecting a Channel

In standby state, rotate the Channel knob to select a channel. Each channel can be set to an analog or a digital channel, and you can switch between analog and digital modes by rotating the Channel knob.

3.Adjusting the Volume

When the radio is on, turn the Power/Volume knob clockwise to turn up the volume, or counterclockwise to turn it down.
Note: If you continue to rotate the knob after turning to the minimum volume, the radio will be powered off and you will hear a click.

4.Making a Call

- Calling a Default Contact
If a default contact is already set for a channel, you can call the contact by holding down the PTT key.
You may have a default contact set by your dealer for each digital channel.

- Selecting and Calling a Contact

In the menu, select Contact, select a contact from the Contact List, and hold down the PTT key.
- Dialing to Call a Contact
In the menu, select Contact, select Dial, dial a contact's ID, and hold down the PTT key.

5.Receiving a Call

When the radio receives a call, green LED indicator light is on, the call type, caller alias or ID, and incoming icon are displayed on the screen, and the received voice is played. During the call hang time and if no more call is received, you can call back by holding down the PTT key.
Note:

To receive a group call, please have the radio set as a group member by your dealer using the GPS.

6.Emergency Alarm

In emergency, you can send an alarm message and a voice message to a specified group for help. You can send the alarm anytime even when the radio is transmitting traffic.

7.Call Log

You can check and manage recent outgoing, incoming and missed individual calls.

Troubleshooting

SN	Failure Description	Reason and Solution
1	Power-on failed	R: Low remaining battery capacity. S: Charge or replace the battery. R: Poor contact between the battery and the wiring terminals of the power supply. S: Install the battery again. R: Dirty battery contacts. S: Clean battery contacts.
2	Communication failed	R: Poor antenna contact. S: Install the antenna again. R: Different frequencies in Rx-Tx frequency pair between both sides. S: Use the same frequency in TX-RX frequency pair between both sides. R: Different CTCSS/DCSS codes on both sides. S: Set the same CTCSS/DCSS code on both sides via PC. R: Beyond communication distance. S: Decrease communication distance.

3	GPS positioning failed	R: The antenna is not dual-band. S: Use a dual-band antenna. R: Wrong GPS setting. S: Set GPS again. R: In a shielded environment. S: Go to an open area.
4	Programming exception	R: Improper connection. S: Connect the radio to a PC properly. R: No USB driver is installed on the PC. S: Install the USB driver on the PC. R: Poor contact of earphone interface board. S: Replace the earphone interface board.

Caution for Using the Battery:
Explosion may be incurred by using a battery of a non-supplied model, or by shorting the anode and cathode of the battery.
Charge the battery using the attached charger, and dispose it as instructed. Do not strike, squeeze, short out or disassemble the battery.
Do not put the battery in a high temperature or throw it into a fire.
Stop using the battery if it is seriously bulged or immersed in water.

Hereby, Kirisun Communication Co.,Ltd. declares that this product is in compliance with essential requirements and other relevant provisions of Directive 2014/53/EU. This product is allowed to be used in all EU member states.

FCC /IC Warning:
Any Changes or modifications not expressly approved by the party responsible for compliance could void the user's authority to operate the equipment.
This device complies with part 15 of the FCC Rules. Operation is subject to the following two conditions: (1) This device may not cause harmful interference, and (2) this device must accept any interference received, including interference that may cause undesired operation.
Note: This equipment has been tested and found to comply with the limits for a Class B digital device, pursuant to part 15 of the FCC Rules. These limits are designed to provide reasonable protection against harmful interference in a residential installation. This equipment generates, uses and can radiate radio frequency energy and, if not installed and used in accordance with the instructions, may cause harmful interference to radio communications. However, there is no guarantee that interference will not occur in a particular installation. If this equipment does cause harmful interference to radio or television reception, which can be determined by turning the equipment off and on, the user is encouraged to try to correct the interference by one or more of the interference by one or more of the following measures:
—Reorient or relocate the receiving antenna.
—Increase the separation between the equipment and receiver.
—Connect the equipment into an outlet on a circuit different from that to which the receiver is connected.
—Consult the dealer or an experienced radio/TV technician for help.

Pour contrôler votre exposition et garantir le respect des limites d'exposition en milieu professionnel / contrôlé, respectez toujours les procédures suivantes.

Des lignes directrices:
• Ne retirez pas l'étiquette d'exposition RF de l'appareil.
• Les instructions de sensibilisation de l'utilisateur doivent accompagner l'appareil lorsqu'il est transféré à d'autres utilisateurs.
• N'utilisez pas cet appareil si les exigences opérationnelles décrites ici ne sont pas satisfaites.

Mode d'emploi:
Maximum Antenna Gain: 2dBi

Kirisun reserves the right to the final interpretation of this document. This document is only for reference, and actual product prevails.

This product meets the applicable Innovation, Science, and Economic Development Canada technical specifications.

Le présent matériel est conforme aux spécifications techniques applicables d'Innovation, Sciences et Développement économique Canada.

This device complies with Innovation, Science, and Economic Development Canada licence-exempt RSS standard(s). Operation is subject to the following two conditions:

- (1) this device may not cause interference, and
- (2) this device must accept any interference, including interference that may cause undesired operation of the device.

Le présent appareil est conforme aux CNR d'Innovation, Sciences et Développement économique Canada applicables aux appareils radio exempts de licence. L'exploitation est autorisée aux deux conditions suivantes :

- (1) l'appareil ne doit pas produire de brouillage, et*
- (2) l'utilisateur de l'appareil doit accepter tout brouillage radioélectrique subi, même si le brouillage est susceptible d'en compromettre le fonctionnement.*

RF Exposure Compliance and Control Guidelines and Operating Instructions

To control your exposure and ensure compliance with the occupational/controlled environment exposure limits always adhere to the following procedures.

Guidelines:

- Do not remove the RF Exposure Label from the device.
- User awareness instructions should accompany device when transferred to other users.
- Do not use this device if the operational requirements described herein are not met.

Operating Instructions:

- Transmit no more than the rated duty factor of 50% of the time. To transmit (talk), push the Push-To-Talk (PTT) button. To receive calls, release the PTT button. Transmitting 50 % of the time, or less, is important because this radio generates measurable RF energy exposure only when transmitting (in terms of measuring for standards compliance).
- Hold the radio in a vertical position in front of face with the microphone (and the other parts of the radio, including the antenna) at least one inch (2.5 cm) away from the nose. Keeping the radio at the proper distance is important because RF exposures decrease with distance from the antenna. Antenna should be kept away from eyes.
- When worn on the body, always place the radio in approved clip, holder, holster, case, or body harness for this product. Use of non-approved accessories may result in exposure levels, which exceed the occupational/controlled environment RF exposure limits.
- Use only manufacturer's name approved supplied or replacement antennas, batteries, and accessories. Use of non-manufacturer-name approved antennas, batteries, and accessories may exceed the FCC and IC RF exposure guidelines.
- For a list approved accessories please consult your local dealer for information.

Pour contrôler votre exposition et garantir le respect des limites d'exposition en milieu professionnel / contrôlé, respectez toujours les procédures suivantes.

Des lignes directrices:

- Ne retirez pas l'étiquette d'exposition RF de l'appareil.
- Les instructions de sensibilisation de l'utilisateur doivent accompagner l'appareil lorsqu'il est transféré à d'autres utilisateurs.
- N'utilisez pas cet appareil si les exigences opérationnelles décrites ici ne sont pas satisfaites.

Mode d'emploi:

- Ne transmettez pas plus que le facteur de service nominal de 50% du temps. Pour transmettre (parler), appuyez sur le bouton Push-To-Talk (PTT). Pour recevoir des appels, relâchez le bouton PTT. La transmission à 50% du temps, ou moins, est importante car cette radio génère une exposition à l'énergie RF mesurable uniquement lors de la transmission (en termes de mesure de conformité aux normes).
- Tenez la radio en position verticale devant le visage avec le microphone (et les autres parties de la radio, y compris l'antenne) à au moins 2,5 cm (2,5 cm) du nez. Il est important de garder la radio à la bonne distance car les expositions aux RF diminuent avec la distance de l'antenne. L'antenne doit être éloignée des yeux.
- Lorsqu'elle est portée sur le corps, placez toujours la radio dans un clip, un support, un étui, un étui ou un harnais de sécurité approuvés pour ce produit. L'utilisation d'accessoires non approuvés peut entraîner des niveaux d'exposition qui dépassent les limites d'exposition aux RF de l'environnement professionnel / contrôlé.
- Utilisez uniquement les antennes, batteries et accessoires fournis ou de remplacement approuvés par le fabricant. L'utilisation d'antennes, de batteries et d'accessoires non approuvés par le fabricant peut dépasser les directives d'exposition RF FCC et IC.
- Pour obtenir une liste des accessoires approuvés, veuillez consulter votre revendeur local pour plus d'informations.