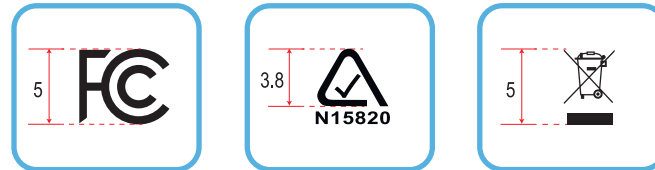
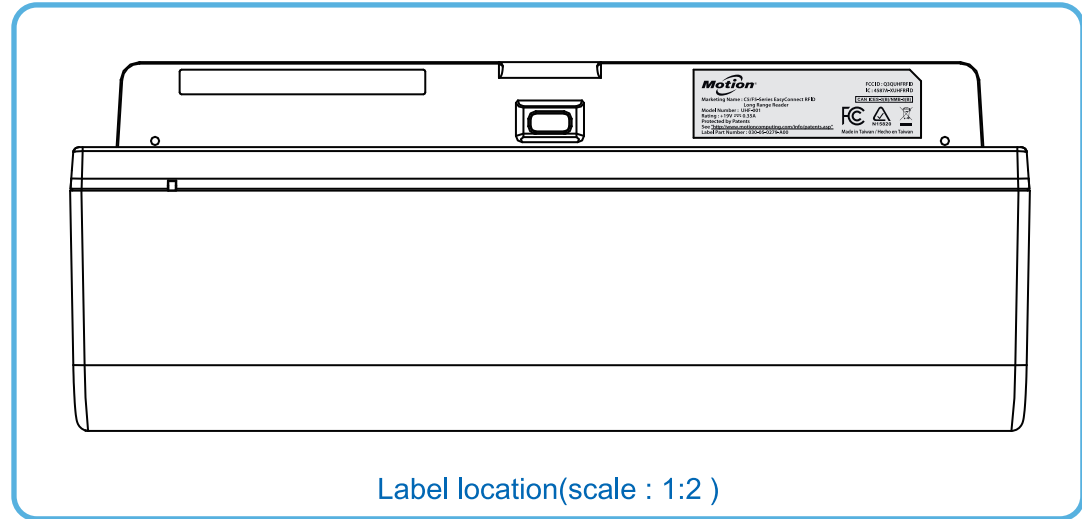
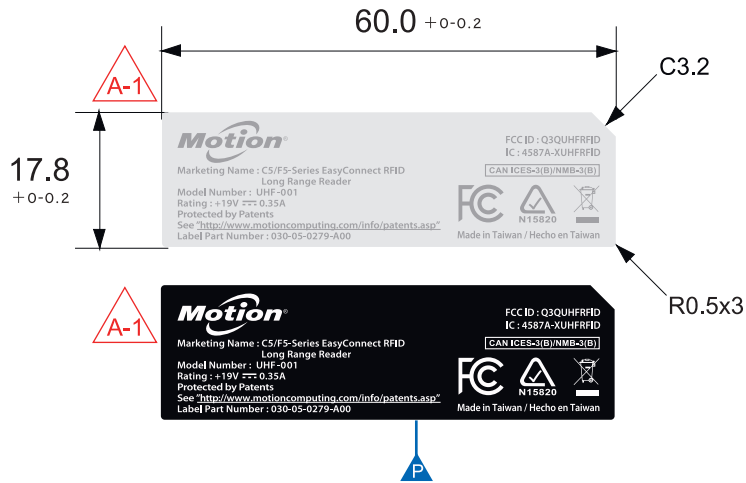


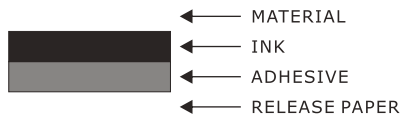


REV.	ECN NO.	DATE	BY	DESCRIPTION
A		Nov/13/2013	Vicky Wu	Released
A-1		Nov/22/2013	Vicky Wu	Change rating to the +19V, 0.35A.

A  
B  
C  
D



- NOTES:
- 1 .Material: PC1860 (t:0.178mm)
  - 2 .Adhesive:3M 467(t<0.15mm)
  - 3 .Coating: N/A
  - 4 .Background Color: PMS 427
  - 5 .Text Color:PMS Cool Gray 8C



THIS DRAWING CONTAINS CONFIDENTIAL INFORMATION AND IS THE PROPERTY OF SINBON ELECTRONICS CO.,LTD. IT MAY NOT BE USED OR ITS CONTENTS COPIED OR DISCLOSED TO A THIRD PARTY WITHOUT PRIOR WRITTEN CONSENT AND IS TO BE RETURNED PROMPTLY UPON REQUEST BY SINBON ELECTRONICS CO., LTD.									
COMMON TOLERANCE TABLE FOR DIMENSION SHOW,REFER TO CAD DATA					CUSTOMER : <b>Motion</b>		SINBON SINBON Electronics Co., Ltd.		
TOL CLASS	A	B	C	D	GEOMETRIC	CUSTOMER P/N :	REV.	DESCRIPTION :	
3 ↓	±0.05	±0.05	±0.05	1*10	±1	030-05-0279	A00	RFID Reader_507.072.01 Regulatory Label	
3~6	±0.05	±0.08	±0.10	11*30	±2	N/A	N/A	DRA. Nov/22/2013	LABEL: 80*17.8.GRAY(PMS COOL GRAY 8C) TEXT ON GRAY(PMS427) BACKGROUND, PC1860(T:0.178~0.184) (T:0.15) FOR MOTION RFID READER 507.072.01 (ROW) UHF-401 REGULATORY LABEL: 2:1
6~30	±0.10	±0.10	±0.20	31*50	±3	TOOL NO.	CHK. Nov/22/2013	PART NUMBER :	REV.
30~120	±0.15	±0.30	±0.50	51~200	±5	N/A	Vicky Wu	A02152561001S	A-1
120~400	±0.20	±0.50	±0.80	201~400	±7		APR. Nov/22/2013	PROJ	SIZE
400~1000	±0.30	±1.00	±1.50	>401	±10		Ike Lee	A4	UNIT
								mm	SCALE
								1:1	SHEET
									1 of 1