

COMPLIANCE DESCRIPTION OF DIGITIZER 'ANTENNA REQUIREMENT' Per: FCC Section 15.203

Author: Todd Steigerwald
For: MOTION COMPUTING, INC.
Date: 5/23/03

1. **SECTION 15.203: "An intentional radiator shall be designed to insure that no antenna than that furnished by the responsible party shall be used with device. The use of a permanently attached antenna or of an antenna that uses a unique coupling to the intentional radiator shall be considered sufficient to comply with the provisions of this section. The manufacturer may design the unit so that a broken antenna can be replaced by the user, but the use of a standard jack or electrical connector is prohibited"**

MOTION COMPUTING RESPONSE:

The **Digitizer System** (manufactured by WACOM Technology Corporation) for locating the pen/stylus is the only reason for intentional radiation of low-level RF energy. The 'antenna' of this device is the entire digitizer sensor board, which is an integral part to the Motion M1200/M1300 systems.

The location of this antenna / sensor is inside the closed M1200/ M1300 system so that after assembly, the user can not attach any other device to the specialized digitizer system connector. The only way for a refurbishment of the antenna is through the responsible party – MOTION COMPUTING INC, by returning the unit, or having on-site repairs with a technician trained by the responsible party. The antenna does not use a standard jack or electrical connector; it uses a unique – Flexible printed circuit (FPC) connector.

FIGURE 1: ANTENNA (DIGITIZER GRID + RADIO)

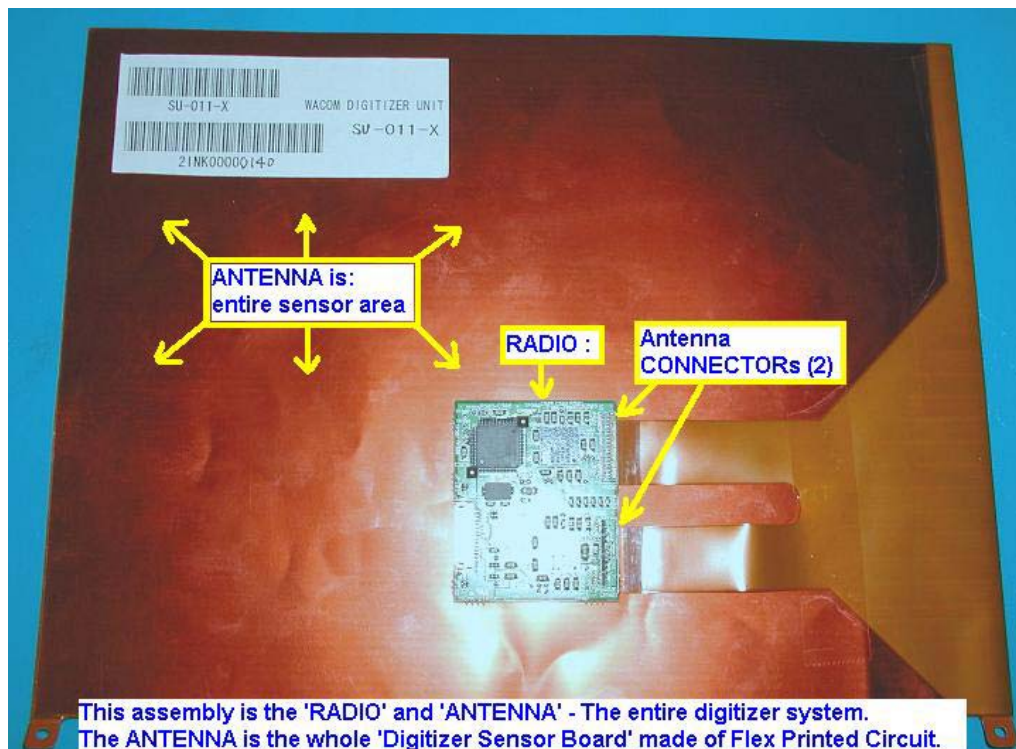


FIGURE 2: ANTENNA ALONE (DIGITIZER GRID)



FIGURE 3: ANTENNA (DIGITIZER GRID) CONNECTOR #1

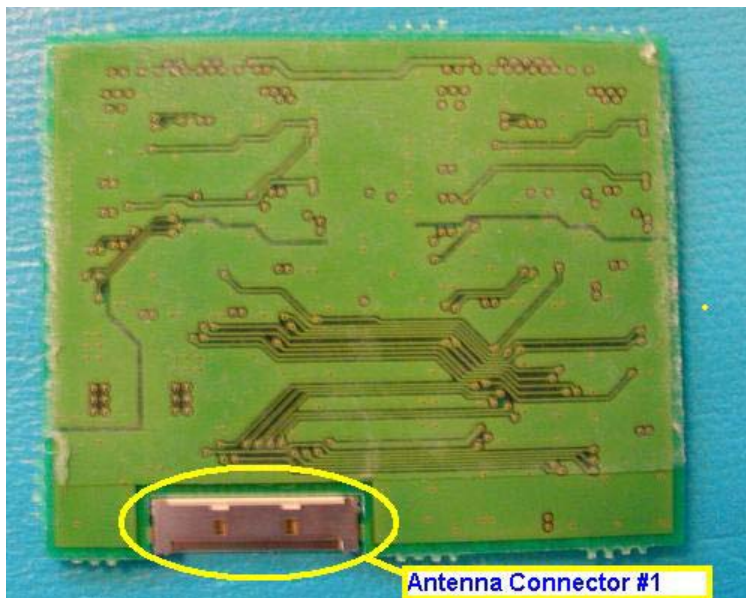
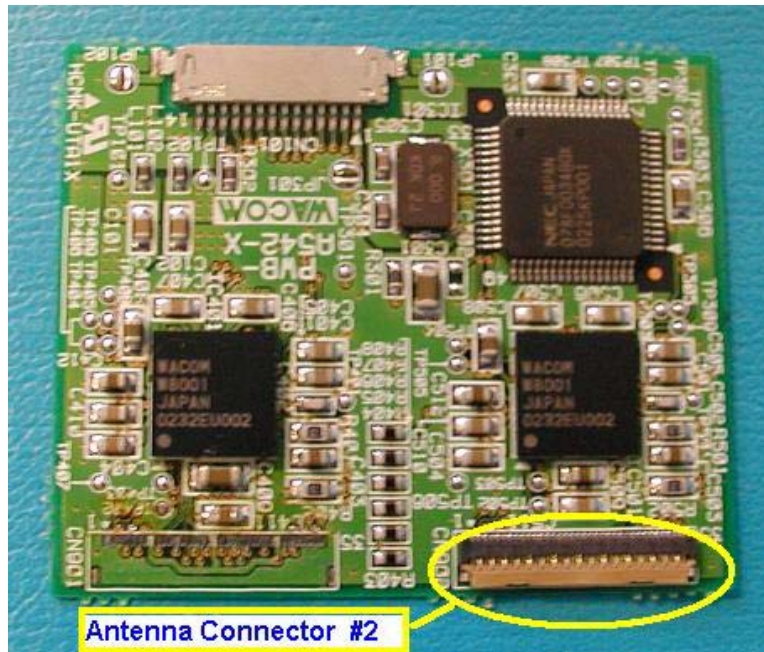


FIGURE 4: ANTENNA (DIGITIZER GRID) CONNECTOR #2



2. SECTION 15.203: “This requirement does not apply to carrier current devices or to devices operated under the provisions of Sections 15.211, 15.213, 15.217, 15.219, 15.221. Further, this requirement does not apply to radiators that must be professionally installed, such as perimeter protection systems and some field disturbance sensors, or to other intentional radiators which, in accordance with Section 15.31(d), must be measured at the installation site. However, the installer shall be responsible for ensuring that the proper antenna is employed so that the limits in this Part are not exceeded.”

MOTION COMPUTING RESPONSE:

This personal computing product is not a professionally installed perimeter RF system, or security system. The Digitizer / Sensor system is an integral part of a portable electronic device, and also does not fall specifically, under the provisions of Sections 15.211, 15.213, 15.217, 15.219, or 15.221.