

RS38 / RS38WO Mobile Computer Quick Start Guide

EN 日本語

RS38 / RS38WO モバイルコンピュータ クイックスタートガイド

EN 日本語

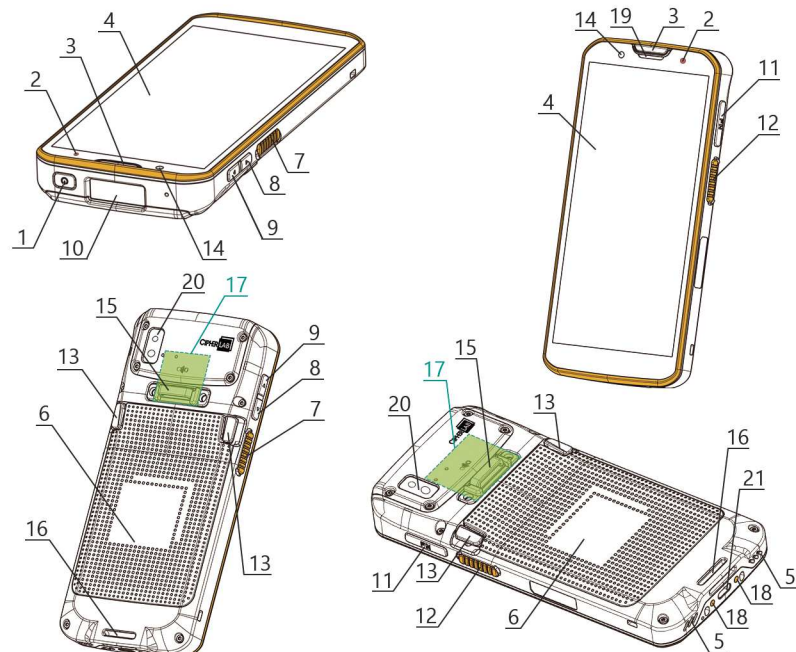
The Regulatory label can be found in your device from the path below:
Settings → Legal Information → Electronic authentication
規制ラベルは以下の方法で確認できます。
設定 → 法的情報 → Electronic authentication

EN 日本語

Open Your Box / 内容物の確認

- RS38 Mobile Computer
RS38 モバイルコンピュータ
- Quick Start Guide
クイックスタートガイド
- Hand Strap(Optional)
ハンドストラップ(別途選択購入品)
- AC Adapter(Optional)
ACアダプター(別途選択購入品)
- USB Type-C Cable(Optional)
USB Type-Cケーブル(別途選択購入品)

Overview / 製品外観



- 1. Power Button
電源ボタン
- 2. Status LED1
LED表示1
- 3. Status LED2
LED表示2
- 4. Touchscreen
タッチスクリーン
- 5. Microphone & Speaker
マイクとスピーカー
- 6. Battery
バッテリー
- 7. Side-Trigger (Left)
サイドトリガー(左)
- 8. Volume Down Button
音量ダウンボタン
- 9. Volume Up Button
音量アップボタン
- 10. Scan Window
コード読み取り口
- 11. Function Key
ファンクションキー
- 12. Side-Trigger (Right)
サイドトリガー(右)
- 13. Battery Release Latch
バッテリーリリースラッチ
- 14. Front Camera
前面カメラ
- 15. Hand Strap Hole (Cover)
ハンドストラップホール(カバー)
- 16. Hand Strap Hole
ハンドストラップホール
- 17. NFC Detection Area
NFC検出エリア
- 18. Charging Pins
充電ピン
- 19. Receiver
レシーバー
- 20. Rear Camera with Flash
背面カメラ(フラッシュ付き)
- 21. USB-C Port
USB-Cポート

Battery Information / バッテリーの情報

	Standard Battery 標準バッテリー	Extended Battery 拡張バッテリー
Power Supply 電源アダプター	Input / 入力: AC 100-240V, 50/60 Hz Output / 出力: DC 5V, 2A CiperLab approved / CiperLab専用電源アダプター	
Battery Pack バッテリー容量	Battery Model / バッテリモデル: BA-0174A5 3.87V, 4500mAh CiperLab proprietary Li-Po / CiperLab専用リチウムポリマーバッテリー	Battery Model / バッテリモデル: BA-0176A8 3.87V, 6800mAh
Charging Time 充電時間	Approx. 3.5 hours / 約3.5時間	Approx. 4.5 hours / 約4.5時間

Install the Battery / バッテリーの取り付け

To install the battery / バッテリーの取り付け方法:

Step 1:
Insert the battery from the lower edge of the battery into the battery compartment.

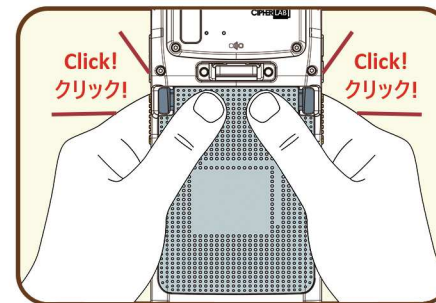
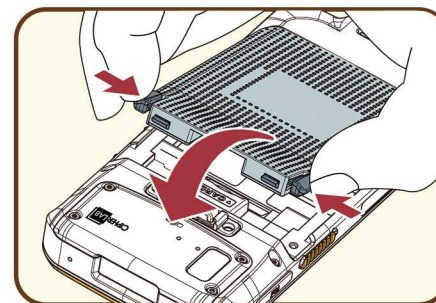
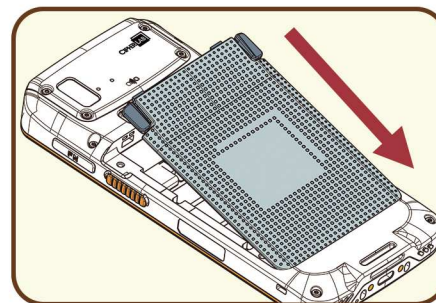
手順1:
バッテリーを下から挿入してください。

Step 2:
Press down on the upper edge of the battery while holding the release latches on both sides.

手順2:
バッテリーの上部端を押しながら、両側のリリースレバーを押さえてください。

Step 3:
Firmly press down on the battery until a click is heard, ensuring the battery release latches are fully engaged with the RS38.

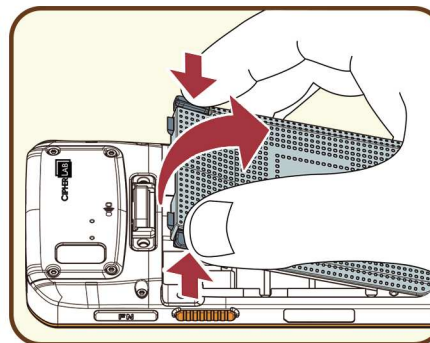
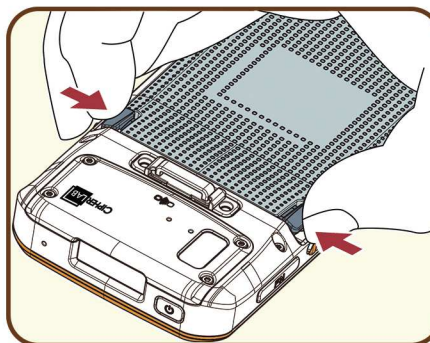
手順3:
バッテリーを確実に押し下げ、クリック音が聞こえるまで押し続け、バッテリーリリースレバーがRS38と完全に嵌合していることを確認してください。



Remove the Battery / バッテリーを取り外します

To remove the battery / バッテリーを取り外すには:

Press and hold the release latches on both sides to release the battery, and simultaneously lift the battery out to remove it.
両側のリリースレバーを押しながらバッテリーを持ち上げて、バッテリーを外してください。



Install SIM & SD Cards / SIM、SDカードの装着

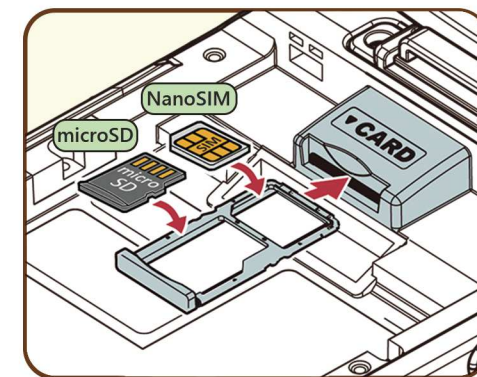
To install the SIM and SD cards / SIMカードとSDカードを取り付けるには:

Step 1:
Pull out the SIM and SD card tray holder from the battery compartment.

手順1:
バッテリーコンパートメントからSIMカードおよびSDカードトレイホルダーを引き出してください。

Step 2:
Securely place the SIM card and SD card on the tray in the correct orientation.

手順2:
SIMカードとSDカードを正しい向きでトレイに置いてください。



Step 3:
Gently push the tray back into the slot until it fits into place.

手順3:
優しくトレイをスロットに戻し、しっかりとハマるまで押し込んでください。

Note:
RS38 Mobile Computer only supports Nano SIM card, and the Wi-Fi only model does not support SIM card.

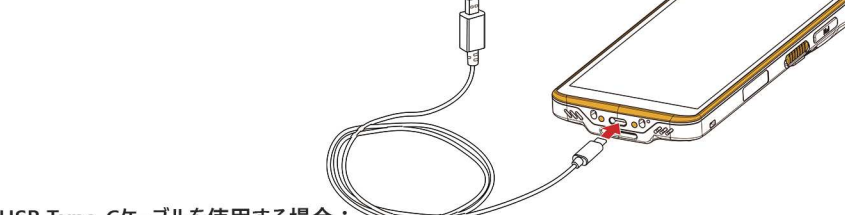
注記:
RS38モバイルコンピュータはNano SIMカードのみをサポートしており、Wi-Fiのみ対応モデルではSIMカードをサポートしていません。



Charging & Communication / 充電と通信

By USB Type-C Cable :

Insert a USB Type-C Cable into the port at the bottom of the RS38 mobile computer. Connect the plug either to an approved adapter for external power connection, or to a PC/Laptop for charging or data transmission.



USB Type-Cケーブルを使用する場合:

RS38モバイルコンピュータ下部のポートにType-Cケーブルを挿入してください。ケーブルを外部電源接続用の承認済みアダプターまたは充電やデータ伝送用のPC/ノートパソコンに接続してください。

CAUTION :

USA (FCC):

This device complies with Part 15 of the FCC Rules. Operation is subject to the following two conditions: (1) This device may not cause harmful interference, and (2) this device must accept any interference received, including interference that may cause undesired operation.

This equipment has been tested and found to comply with the limits for a Class B digital device, pursuant to Part 15 of the FCC Rules. These limits are designed to provide reasonable protection against harmful interference in a residential installation. This equipment generates, uses and can radiate radio frequency energy and, if not installed and used in accordance with the instructions, may cause harmful interference to radio communications. However, there is no guarantee that interference will not occur in a particular installation. If this equipment does cause harmful interference to radio or television reception, which can be determined by turning the equipment off and on, the user is encouraged to try to correct the interference by one of the following measures:

- Reorient or relocate the receiving antenna.
- Increase the separation between the equipment and receiver.
- Connect the equipment into an outlet on a circuit different from that to which the receiver is connected.
- Consult the dealer or an experienced radio/TV technician for help.

FCC Caution: Any changes or modifications not expressly approved by the party responsible for compliance could void the user's authority to operate this equipment.

This transmitter must not be co-located or operating in conjunction with any other antenna or transmitter.

FOR PORTABLE DEVICE USAGE (<20m from body/SAR needed)

Radiation Exposure Statement:

The product comply with the FCC portable RF exposure limit set forth for an uncontrolled environment and are safe for intended operation as described in this manual. The further RF exposure reduction can be achieved if the product can be kept as far as possible from the user body or set the device to lower output power if such function is available.

For 6XD (Indoor Client)

Operation of transmitters in the 5.925-7.125 GHz band is prohibited for control of or communications with unmanned aircraft systems.

Canada (ISED) :

This device complies with ISED's licence-exempt RSSs. Operation is subject to the following two conditions: (1) This device may not cause harmful interference, and (2) this device must accept any interference received, including interference that may cause undesired operation.

Le présent appareil est conforme aux CNR d'ISED applicables aux appareils radio exempts de licence. L'exploitation est autorisée aux deux conditions suivantes : (1) le dispositif ne doit pas produire de brouillage préjudiciable, et (2) ce dispositif doit accepter tout brouillage reçu, y compris un brouillage susceptible de provoquer un fonctionnement indésirable.

Caution :

(i) the device for operation in the band 5150-5250 MHz is only for indoor use to reduce the potential for harmful interference to co-channel mobile satellite systems;

(iv) where applicable, antenna type(s), antenna models(s), and worst-case tilt angle(s) necessary to remain compliant with the e.i.r.p. elevation mask requirement set forth in section 6.2.2.3 shall be clearly indicated.

Avertissement:

Le guide d' utilisation des dispositifs pour réseaux locaux doit inclure des instructions précises sur les restrictions susmentionnées, notamment :

(i) les dispositifs fonctionnant dans la bande 5150-5250 MHz sont réservés uniquement pour une utilisation à l' intérieur afin de réduire les risques de brouillage préjudiciable aux systèmes de satellites mobiles utilisant les mêmes canaux;

(iv) lorsqu'il y a lieu, les types d'antennes (s'il y en a plusieurs), les numéros de modèle de l'antenne et les pires angles d'inclinaison nécessaires pour rester conforme à l'exigence de la p.i.r.e. applicable au masque d'élévation, énoncée à la section 6.2.2.3, doivent être clairement indiqués

Radiation Exposure Statement:

The product comply with the Canada portable RF exposure limit set forth for an uncontrolled environment and are safe for intended operation as described in this manual. The further RF exposure reduction can be achieved if the product can be kept as far as possible from the user body or set the device to lower output power if such function is available.

Déclaration d'exposition aux radiations:

Le produit est conforme aux limites d'exposition pour les appareils portables RF pour les Etats-Unis et le Canada établies pour un environnement non contrôlé.

Le produit est sûr pour un fonctionnement tel que décrit dans ce manuel. La réduction aux expositions RF peut être augmentée si l'appareil peut être conservé aussi loin que possible du corps de l'utilisateur ou que le dispositif est réglé sur la puissance de sortie la plus faible si une telle fonction est disponible.

RSS-248 Issue 2 General statement

Devices shall not be used for control of or communications with unmanned aircraft systems.

Les dispositifs ne doivent pas être utilisés pour commander des systèmes d' aéronef sans pilote ni pour communiquer avec de tels systèmes.

EU / UK (CE/UKCA):

EU Declaration of Conformity

Hereby, CIPHERLAB CO., LTD. declares that the radio equipment type RS36 is in compliance with Directive 2014/53/EU.

The full text of the EU declaration of conformity is available at the following internet address: www.cipherlab.com

UK Declaration of Conformity

Hereby, CIPHERLAB CO., LTD. declares that the radio equipment type RS36 is in compliance with the essential requirements and other relevant provisions of the Radio Equipment Regulations 2017.

The full text of the UK Declaration of Conformity may be found at the following internet address: www.cipherlab.com

The device is restricted to indoor use only when operating in the 5150 to 5350 MHz frequency range.

RF Exposure warning

This device meets the EU requirements (2014/53/EU) on the limitation of exposure of the general public to electromagnetic fields by way of health protection.

The limits are part of extensive recommendations for the protection of the general public. These recommendations have been developed and checked by independent scientific organizations through regular and thorough evaluations of scientific studies. The unit of measurement for the European Council's recommended limit for mobile devices is the "Specific Absorption Rate" (SAR), and the SAR limit is 2.0 W/Kg averaged over 10 grams of body tissue. It meets the requirements of the International Commission on Non-Ionizing Radiation Protection (ICNIRP).

For next-to-body operation, this device has been tested and meets the ICNRP exposure guidelines and the European Standard **EN 50566 and EN 62209-2**. SAR is measured with the device directly contacted to the body while transmitting at the highest certified output power level in all frequency bands of the mobile device.



AT	BE	BG	CH	CY	CZ	DK	DE
EE	EL	ES	FI	FR	HR	HU	IE
IS	IT	LT	LU	LV	MT	NL	PL
PT	RO	SI	SE	SK	NI		



All operational modes:

Technologies	Frequency range (MHz)	Max. Transmit Power
GSM 900	880-915 MHz	34 dBm
GSM 1800	1710-1785 MHz	30 dBm
WCDMA Band I	1920-1980 MHz	24 dBm
WCDMA Band VIII	880-915 MHz	24.5 dBm
LTE Band 1	1920-1980 MHz	23 dBm
LTE Band 3	1710-1785 MHz	20 dBm
LTE Band 7	2500-2570 MHz	20 dBm
LTE Band 8	880-915 MHz	23.5 dBm
LTE Band 20	832-862 MHz	24 dBm
LTE Band 28	703~748MHz	24 dBm
LTE Band 38	2570-2620 MHz	23 dBm
LTE Band 40	2300-2400 MHz	23 dBm
Bluetooth EDR	2402-2480 MHz	9.5 dBm
Bluetooth LE	2402-2480 MHz	6.5 dBm
WLAN 2.4 GHz	2412-2472 MHz	18 dBm
WLAN 5 GHz	5180-5240 MHz	18.5dBm
WLAN 5 GHz	5260-5320 MHz	18.5 dBm
WLAN 5 GHz	5500-5700 MHz	18.5 dBm
WLAN 5 GHz	5745-5825 MHz	18.5 dBm

NFC	13.56 MHz	7 dBuA/m @ 10m
GPS	1575.42 MHz	

The adapter shall be installed near the equipment and shall be easily accessible.

CAUTION

Risk of explosion if battery is replaced by an incorrect type.
Dispose of used batteries according to the instructions.

Japan (TBL / JRL) :