



BRK26REH00001

Cipher Lab_Pluto plus_WIFI Sku

Antennas Evaluation Report

- WIFI Main/Core0
- WIFI Aux/Core1

Date of Report: 2023/ 05 / 04
Department: WCB , Auden Techno Corp.
Prepared by: Derek Yen



Document/Report Information



Project Name	RK26
Topics	Antennas Evaluation Report
Date of Report	2023/ 05 / 04
Report Revision	Rev07
Dept.	WCB, Auden Techno Corp.
Antenna Type	WiFi Main: PIFA Antenna , WiFi Aux: PIFA Antenna
Revised by	Hank Li

Report History

Date	Report Rev.	Project Stage	Description
2022/11/11	Rev00	EVT	1. Check Aux LTE antenna performance and tuner effect in EVT device. 2. Fine tune the antennas passive performance .
2022/11/23	Rev01	EVT	1. Check Aux LTE antenna performance and tuner effect in EVT device. 2. Check Wi-Fi Aux antenna performance.
2022/11/28	Rev02	EVT	1. Check Aux LTE antenna performance and tuner effect in EVT device.
2022/12/05	Rev03	EVT	1. Check Aux LTE antenna performance and tuner effect for new main board in EVT device.
2023/03/31	Rev04	DVT2	1. Check Aux LTE antenna performance and tuner effect in DVT device.
2023/03/31	Rev05	DVT2	1. Verify Main, WIFI and GPS antennas performance .
2023/05/04	Rev06	DVT2	1. Verify Main, Div, WIFI Main and GPS antennas performance .
2023/05/04	Rev07	DVT2	1. Check WIFI Main and WIFI Aux antennas performance in WIFI Sku.

- Platform and Fixture Introduction
- Pictures of Antenna pattern
- Antenna Performance
 - WIFI Main/Core0
 - WIFI Aux/Core1
- Conclusion

Pictures of Device



Front view



Back view

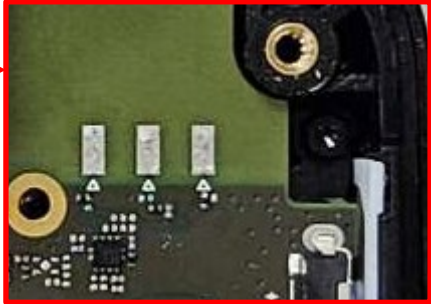
Pictures of Device



Pictures of Device



LTE AUX 彈腳移除



- Platform and Fixture Introduction
- Pictures of Antenna pattern
- Antenna Performance
 - WIFI Main/Core0
 - WIFI Aux/Core1
- Conclusion

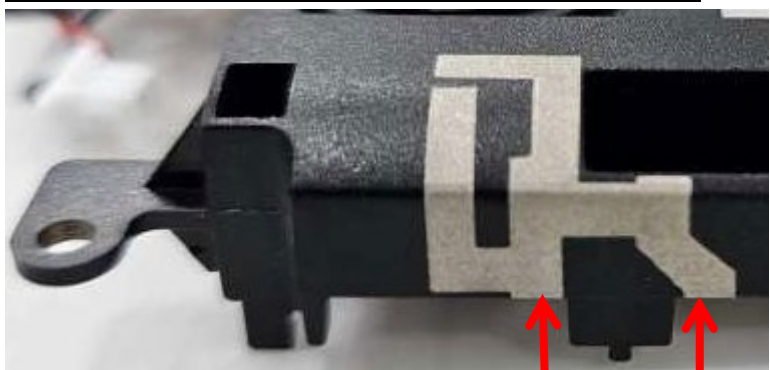
Pictures of Antenna

WIFI Main/Core0 antenna



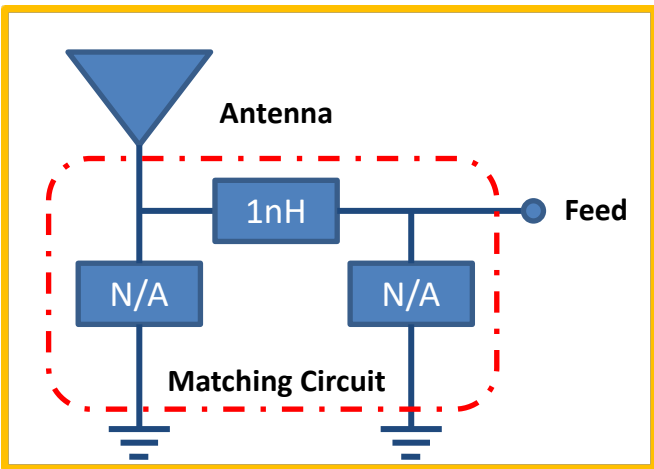
Feed Gnd

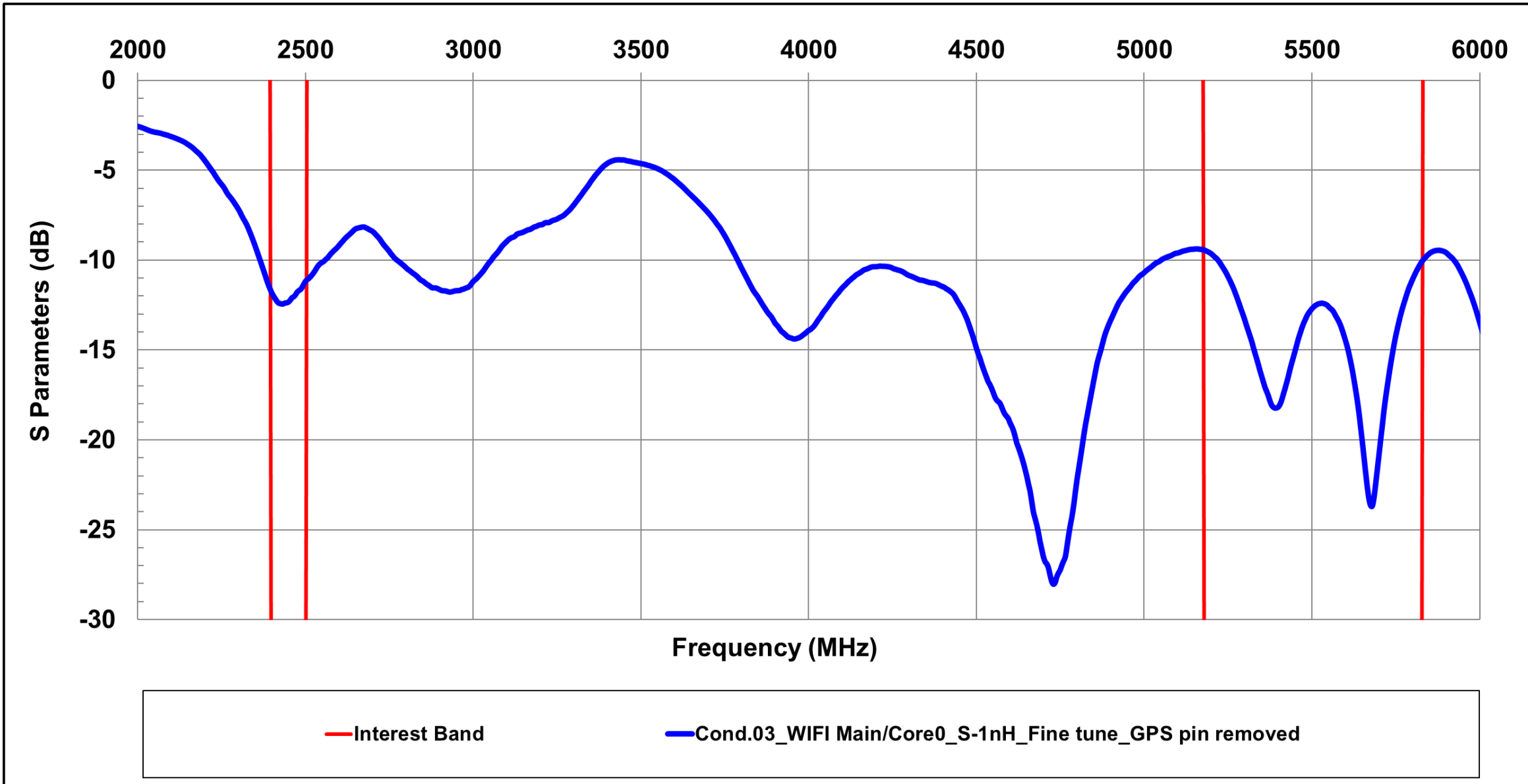
WIFI Aux/Core1 antenna



Feed Gnd

- Platform and Fixture Introduction
- Pictures of Antenna pattern
- Antenna Performance
 - WIFI Main/Core0
 - WIFI Aux/Core1
- Conclusion



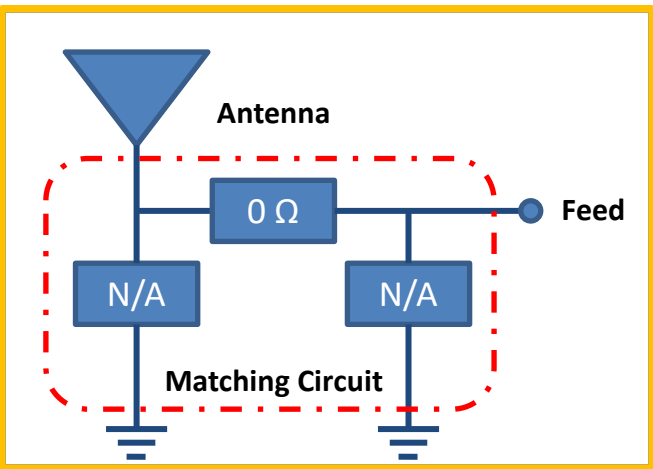


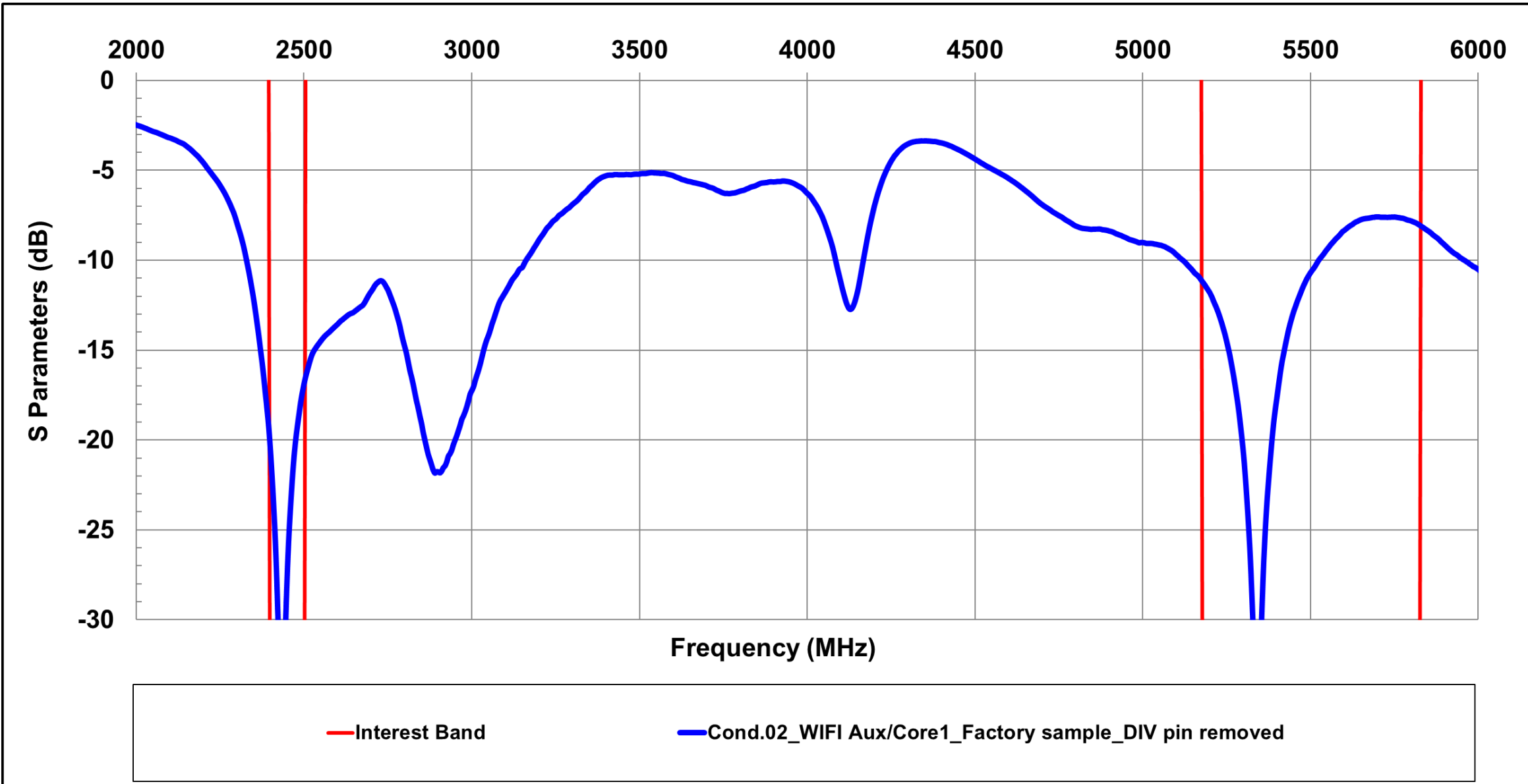
Efficiency_WIFI Main/Core0



Conditions		Cond.03	
Date		2023/4/26	
Report Rev.		Rev06	
Antenna (Rev.)		WIFI Main/Core0	
Project Stage		DVT2	
Detail		*PIFA Type *S-1nH *Factory sample *Fine tune *GPS Pin Removed	
Chamber		Auden GTS2800	
MHz	Spec	MHz	Peak gain (dBi)
2402	-4.0	2402	-0.6
2442	-4.0	2442	-0.4
2484	-4.0	2484	-0.3
5150	-4.0	5150	-1.6
5250	-4.0	5250	-1.5
5350	-4.0	5350	-0.8
5470	-4.0	5470	0.2
5725	-4.0	5725	2.3
5785	-4.0	5785	1.8
5875	-4.0	5875	1.1

- Platform and Fixture Introduction
- Pictures of Antenna pattern
- Antenna Performance
 - WIFI Main/Core0
 - WIFI Aux/Core1
- Conclusion





Efficiency_WIFI Aux/Core1



Conditions		Cond.02	
Date		2023/4/26	
Report Rev.		Rev06	
Antenna (Rev.)		WIFI Aux/Core1	
Project Stage		DVT2	
Detail		*PIFA Type *Factory sample *DIV Pin Removed	
Chamber		Auden GTS2800	
MHz	Spec	MHz	Peak gain (dBi)
2402	-4.0	2402	-0.3
2442	-4.0	2442	0.0
2484	-4.0	2484	0.0
5150	-4.0	5150	-0.3
5250	-4.0	5250	0.6
5350	-4.0	5350	1.4
5470	-4.0	5470	0.7
5725	-4.0	5725	0.8
5785	-4.0	5785	0.6
5875	-4.0	5875	1.5