

GSM Ch.
251

TRP		
Total Rad. Pow.	25.92	dBm
Ant. Port Inp. Pow	33	dBm
Peak EIRP	29.25	dBm
Directivity	3.33	dBi
Efficiency	-7.08	dB
Efficiency	19.59	%
Gain	-3.75	dBi
NHPRP +/-30	20.89	dBm
NHPRP +/-45	22.02	dBm

Maximum H Valu	28.99	dBm
Maximum H @ T	150	deg.
Maximum H @ P	90	deg.
Minimum H Valu	10.34	dBm
Minimum H @ T	30	deg.
Minimum H @ P	330	deg.
Maximum V Valu	25.16	dBm
Maximum V @ T	90	deg.
Maximum V @ P	0	deg.
Minimum V Valu	-10.47	dBm
Minimum V @ T	120	deg.
Minimum V @ P	270	deg.
Maximum H+V V	29.25	dBm
Maximum H+V @	120	deg.
Maximum H+V @	210	deg.
Minimum H+V V	16.56	dBm
Minimum H+V @	90	deg.
Minimum H+V @	90	deg.

Test Data

Horizontal

	0	30	60	90	120	150	180	210	240	270	300	330
30	15.22	20.99	23.52	23.58	21.84	17.73	11.3	16.97	20.55	20.83	18.49	10.34
60	15.49	21.43	23.59	23.63	21.86	17.57	11.24	16.98	20.53	20.91	18.14	10.44
90	25.22	21.26	16.13	14.67	17.6	22.56	26.19	28.17	28.92	28.97	28.59	27.57
120	25.14	24.13	15.96	14.84	17.87	22.81	26.33	28.21	28.93	28.98	28.55	27.58
150	22.51	25.64	28.2	28.99	28.55	26.91	24.22	22.21	22.59	23.12	22.53	21.23

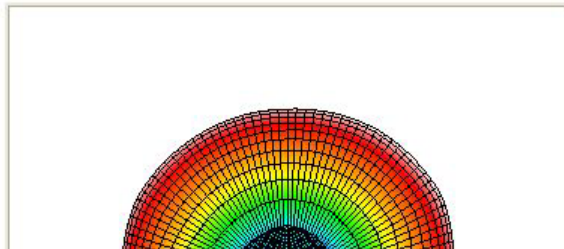
Vertical

	0	30	60	90	120	150	180	210	240	270	300	330
30	22.14	16.76	18.32	16.12	17.85	19.9	20.32	18.04	10.9	9.64	17.49	20.79
60	22.45	21.12	18.2	15.99	17.84	19.89	20.15	17.99	11.01	9.43	17.77	20.7
90	25.16	23.96	18.88	12.05	18.75	22.61	23.72	22.49	17.9	-6.28	17.28	23
120	25.09	23.7	18.34	12.24	18.94	22.7	23.81	22.54	17.68	-10.47	17.9	22.98
150	24.93	24.46	20.31	5.88	17.04	22.62	24.19	23.26	19.14	4.95	15.97	22.45

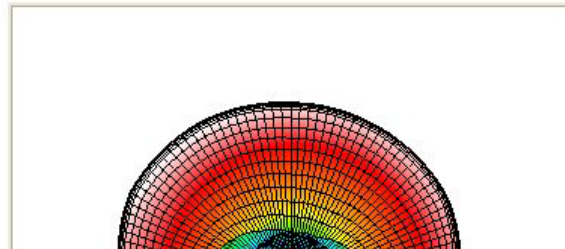
**Horizontal +
Vertical**

	0	30	60	90	120	150	180	210	240	270	300	330
30	22.94	22.38	24.67	24.3	23.3	21.96	20.83	20.55	20.99	21.15	21.03	21.16
60	23.24	24.29	24.69	24.32	23.31	21.89	20.67	20.53	20.99	21.21	20.97	21.09
90	28.2	25.83	20.73	16.56	21.22	25.6	28.14	29.21	29.25	28.97	28.9	28.87
120	28.13	26.93	20.32	16.74	21.45	25.77	28.26	29.25	29.25	28.98	28.91	28.87
150	26.9	28.1	28.85	29.01	28.85	28.28	27.22	25.78	24.21	23.19	23.4	24.89

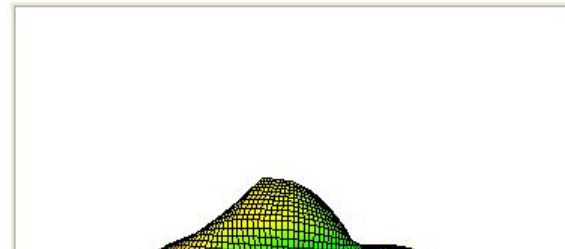
GSM Ch. 251Up
View
3D Graph Excel

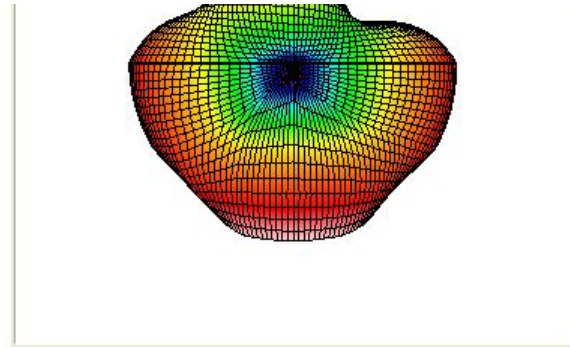
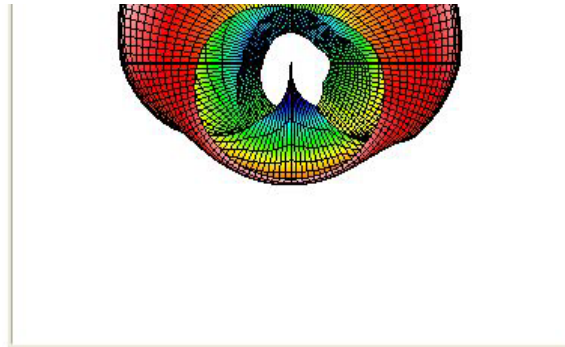
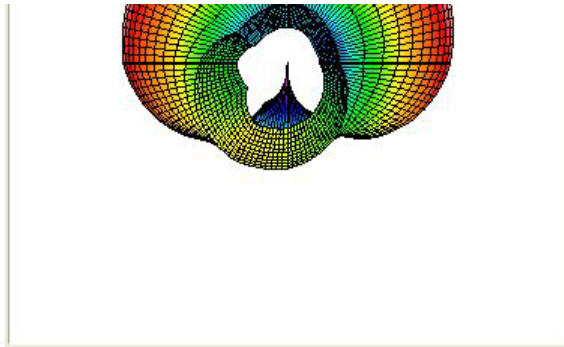


GSM Ch.
251Down View
3D Graph Excel

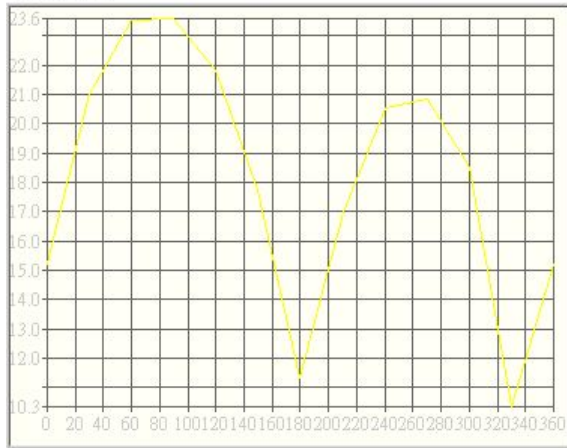


GSM Ch.
251Front View
3D Graph Excel





GSM Ch.
251@Theta 30.0
Horizontal
Excel XY Plot



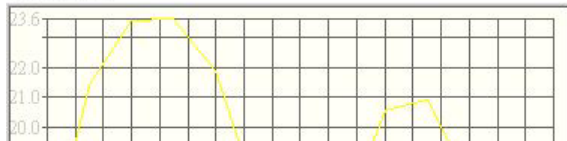
GSM Ch.
251@Theta 30.0
Vertical
Excel XY Plot



GSM Ch.
251@Theta 30.0
Total
Excel XY Plot



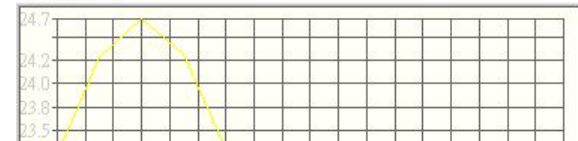
GSM Ch.
251@Theta 60.0
Horizontal
Excel XY Plot



GSM Ch.
251@Theta 60.0
Vertical
Excel XY Plot



GSM Ch.
251@Theta 60.0
Total
Excel XY Plot





GSM Ch.
251@Theta 90.0
Horizontal
Excel XY Plot



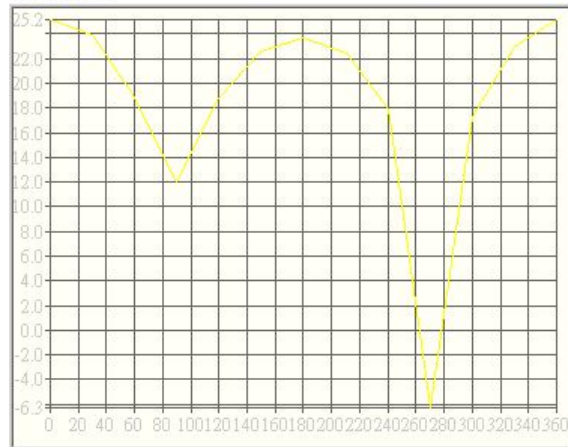
GSM Ch.
251@Theta 90.0
Vertical
Excel XY Plot



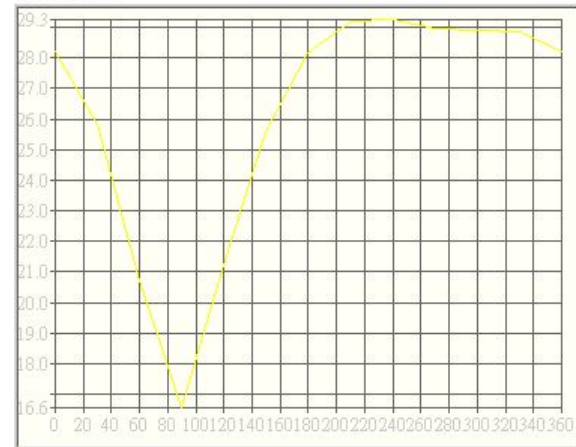
GSM Ch.
251@Theta 90.0
Total
Excel XY Plot



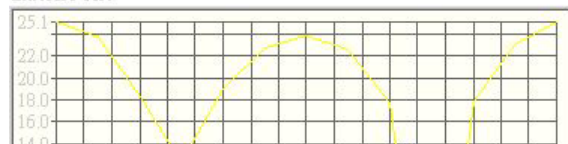
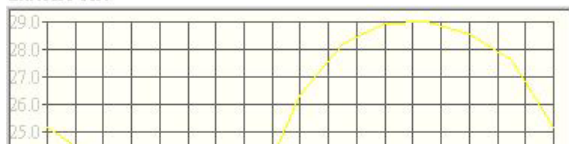
GSM Ch.
251@Theta
120.0
Horizontal
Excel XY Plot

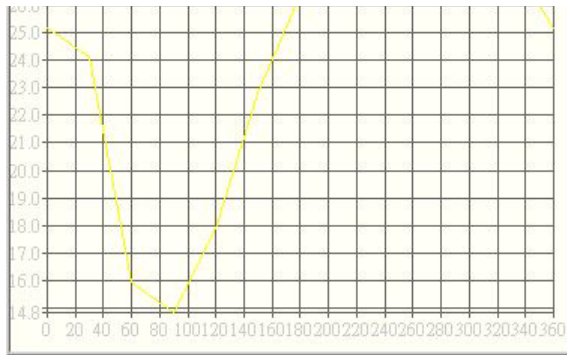


GSM Ch.
251@Theta
120.0
Vertical
Excel XY Plot

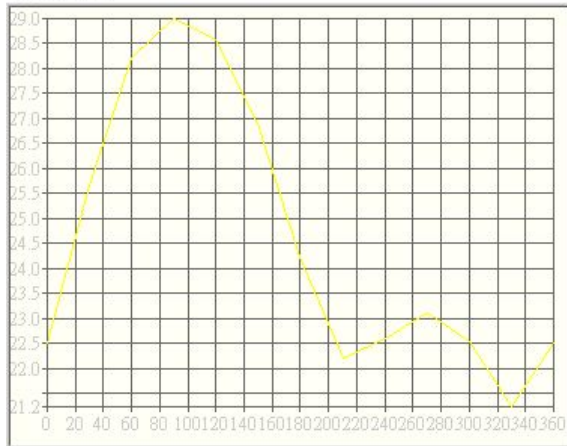


GSM Ch.
251@Theta
120.0
Total
Excel XY Plot

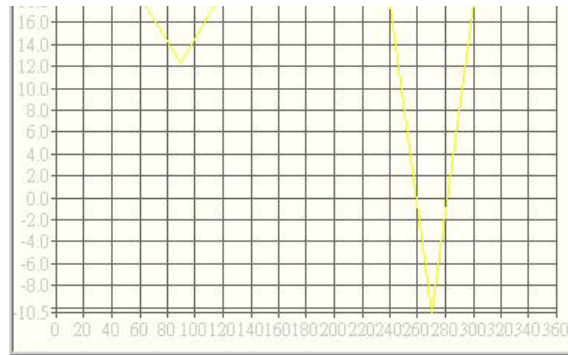
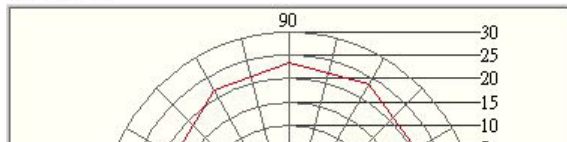




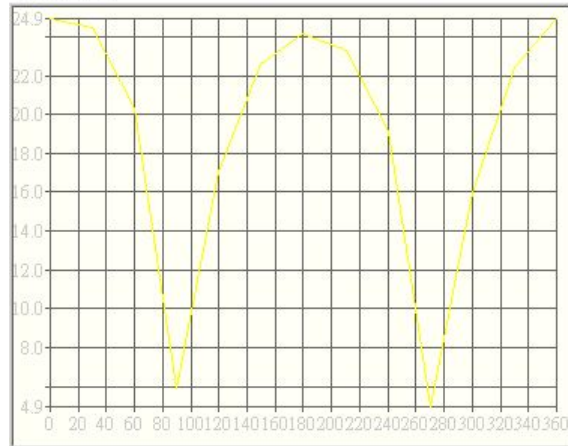
GSM Ch.
251@Theta
150.0
Horizontal
Excel XY Plot



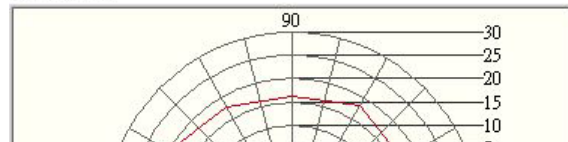
GSM Ch.
251@Theta 30.0
Horizontal
Excel XY Plot



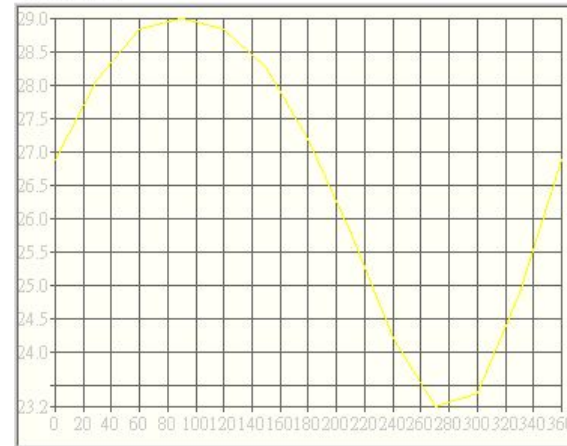
GSM Ch.
251@Theta
150.0
Vertical
Excel XY Plot



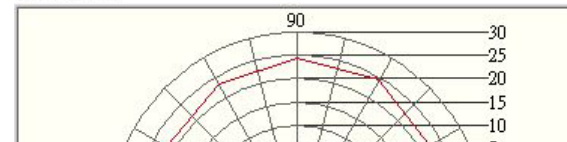
GSM Ch.
251@Theta 30.0
Vertical
Excel XY Plot

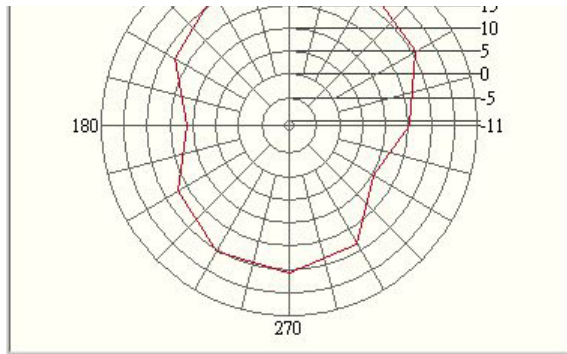


GSM Ch.
251@Theta
150.0
Total
Excel XY Plot

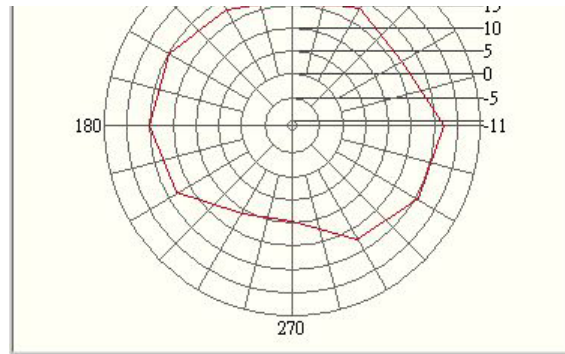


GSM Ch.
251@Theta 30.0
Total
Excel XY Plot

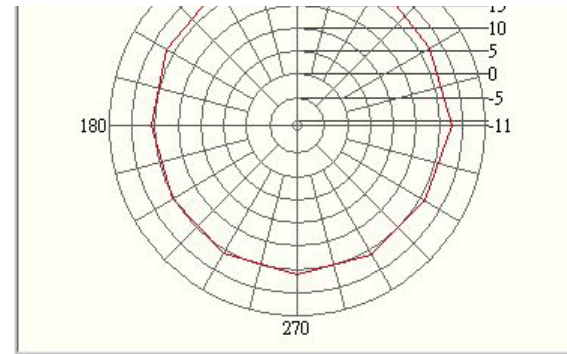




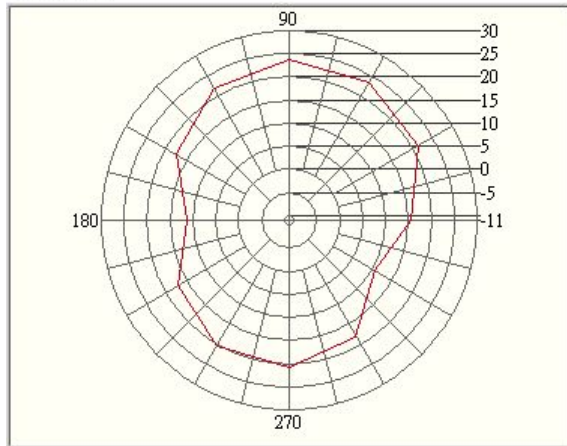
GSM Ch.
251@Theta 60.0
Horizontal
Excel XY Plot



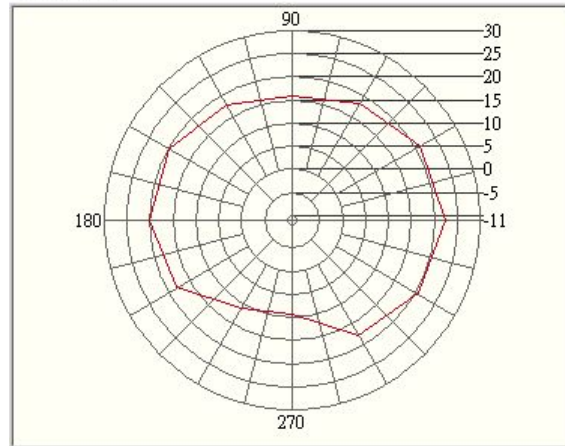
GSM Ch.
251@Theta 60.0
Vertical
Excel XY Plot



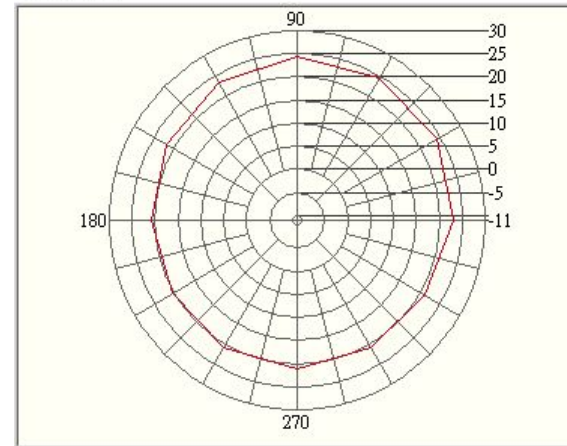
GSM Ch.
251@Theta 60.0
Total
Excel XY Plot



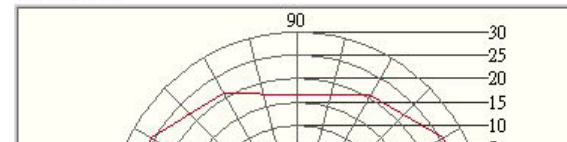
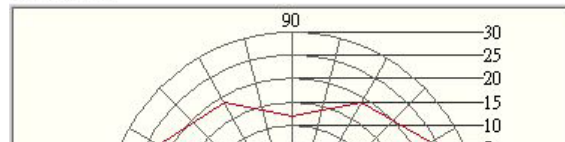
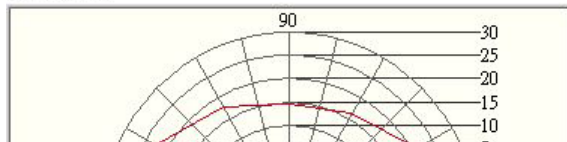
GSM Ch.
251@Theta 90.0
Horizontal
Excel XY Plot

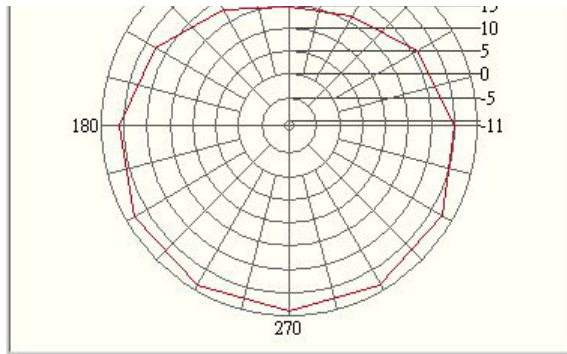


GSM Ch.
251@Theta 90.0
Vertical
Excel XY Plot

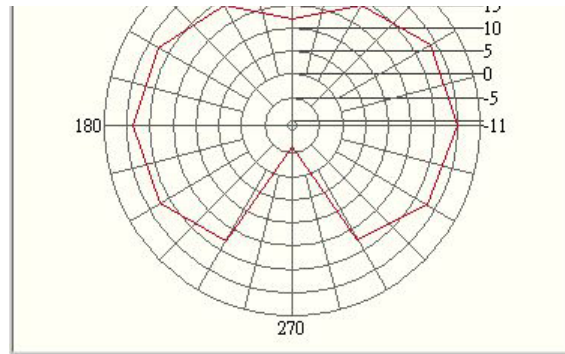


GSM Ch.
251@Theta 90.0
Total
Excel XY Plot

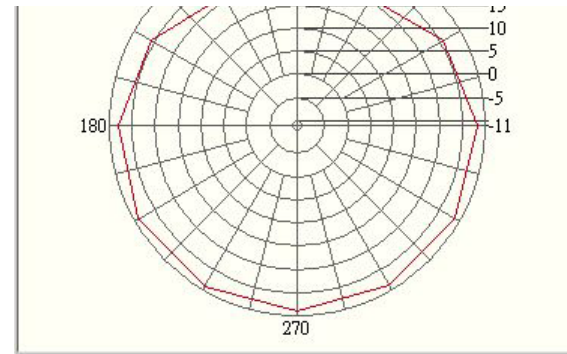




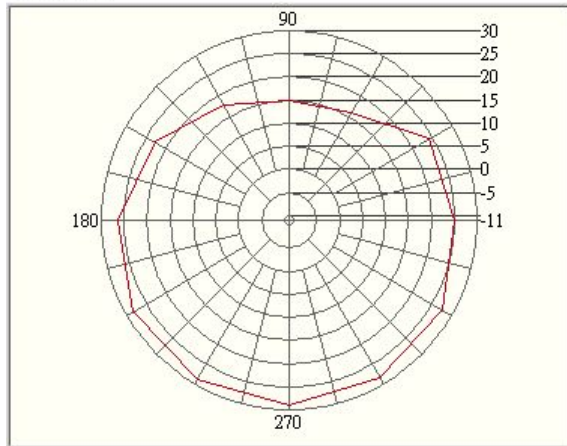
GSM Ch.
251@Theta
120.0
Excel XY Plot



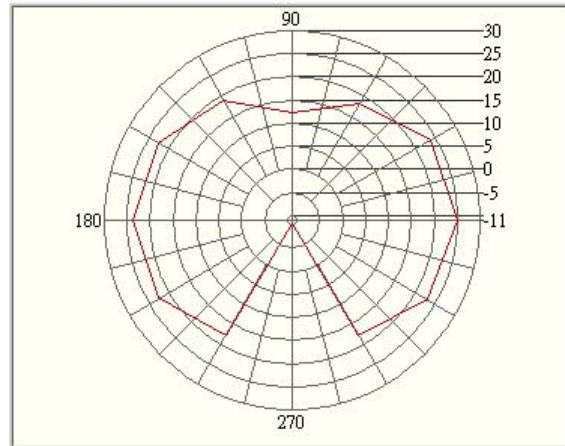
GSM Ch.
251@Theta
120.0
Excel XY Plot



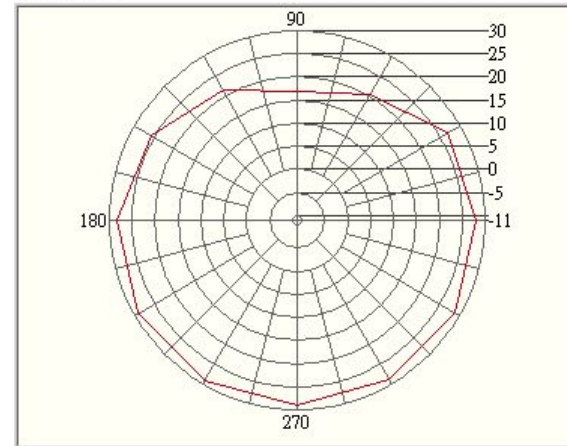
GSM Ch.
251@Theta
120.0
Excel XY Plot



GSM Ch.
251@Theta
150.0
Excel XY Plot



GSM Ch.
251@Theta
150.0
Excel XY Plot



GSM Ch.
251@Theta
150.0
Excel XY Plot

