

RW-9732-4965

## RADWIN Dish External Antenna

### Dual Polarization-Directional Antenna - Data Sheet



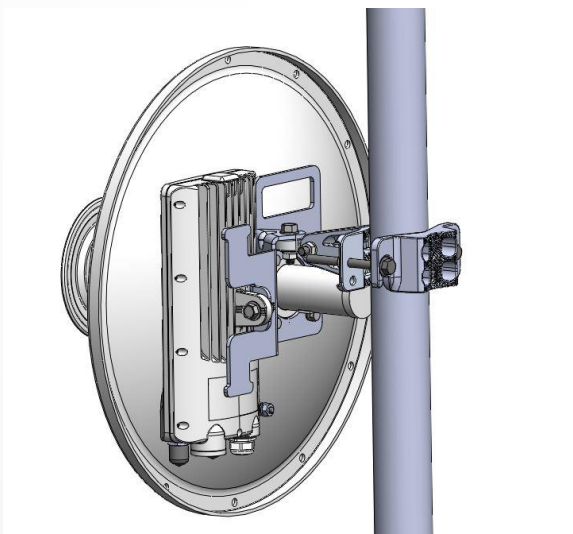
#### Product Description

RW-9732-4965 is a high-performance Dual Polarization Directional antenna, with 7 deg. beamwidth. It supports 4.9 - 6.5 GHz frequency range.

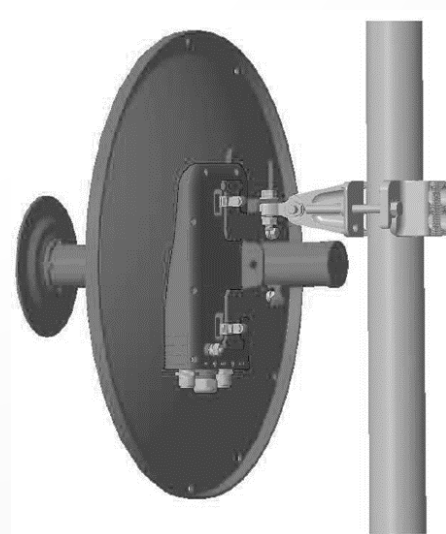
The package includes a dedicated bracket to mount the RADWIN 2000 EC00 radios, for seamless antenna installation.

#### Product Highlights

- » Lightweight and rugged design
- » Adjustable - Dual Polarized (Vertical and Horizontal) or X-Polarized (+45° and -45°)
- » polarization
- » N-TYPE RF connector/s
- » Easily installed
- » Bracket compatible to RADWIN 2000 EC00



Mounting RADWIN 2000 EC00 on the antenna



Mounting RADWIN 2000 EC00 on the antenna

## Product specifications:

Configuration	
Frequency Range	4.9 – 6.5 GHz
Gain	25 dBi
VSWR	2.2:1 (max)
3db Beamwidth Azimuth	7°
3db Beamwidth Elevation	6°
Polarization	Adjustable - Dual Polarized (Vertical and Horizontal) or X-Polarized (+45° and -45°)
Side-lobes Level	13 dB
Cross polarization	X-Polarized (+45° and -45°)
F/B Ratio	32 dB
Mechanical	
Dimensions	Diameter = 400mm
Weight	2.5 Kg
Radome	Not included
Environmental	
Temperature range	-40°C to 60°C / (-31°F to 140°F)
Wind speed	Survival 210 km/h

