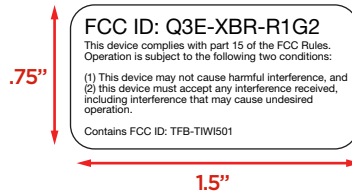


xBR V4 FCC LABEL

310-006049

ARTWORK

ACTUAL SIZE



LABEL SPECS

Corner Radius: .125"
Colors/Inks: black
Typeface: 10/5pt Helvetica Neue
Avery Equivalent: TBD

Stock/Material: 2mil white gloss polyester
Overlam./Varnish: 1mil clear overlamine
Adhesive: permanent

1511 6th AVE, 4th FLOOR
SEATTLE, WA 98101
PHONE: 206.381.0898
www.synapse.com

TITLE:

xBR V4 FCC LABEL

SIZE	DWG. NO. 310-006049	REV A
SCALE: 1:1		SHEET 1 OF 1

8 7 6 5 4 3 2 1

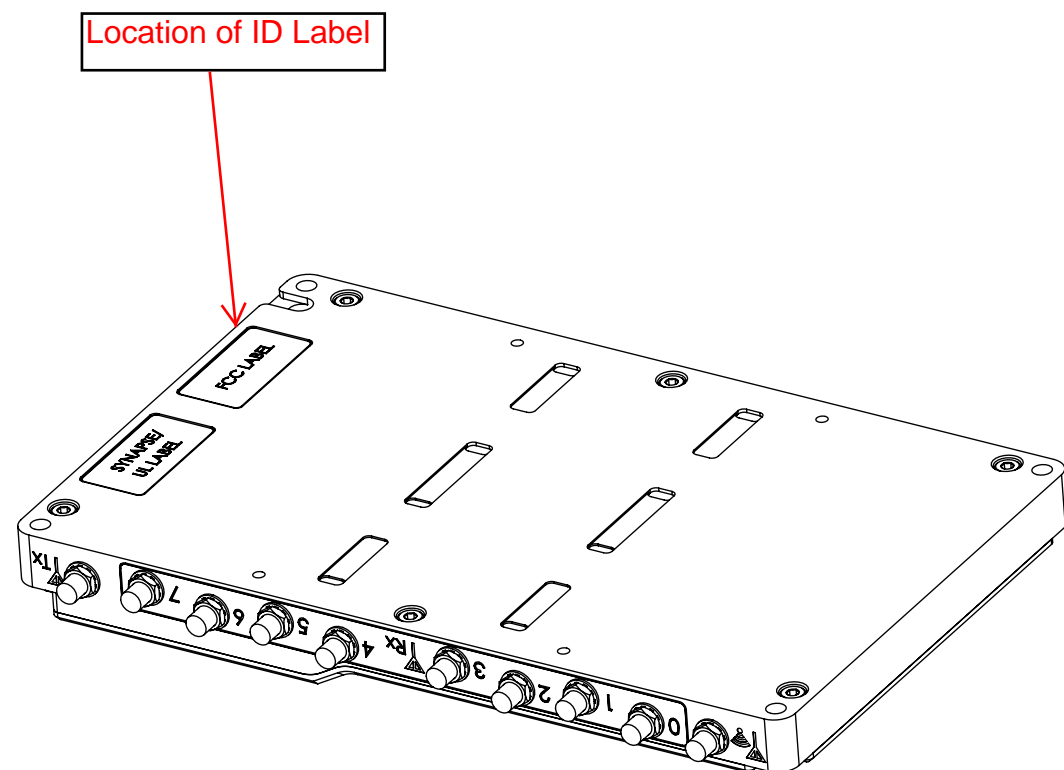
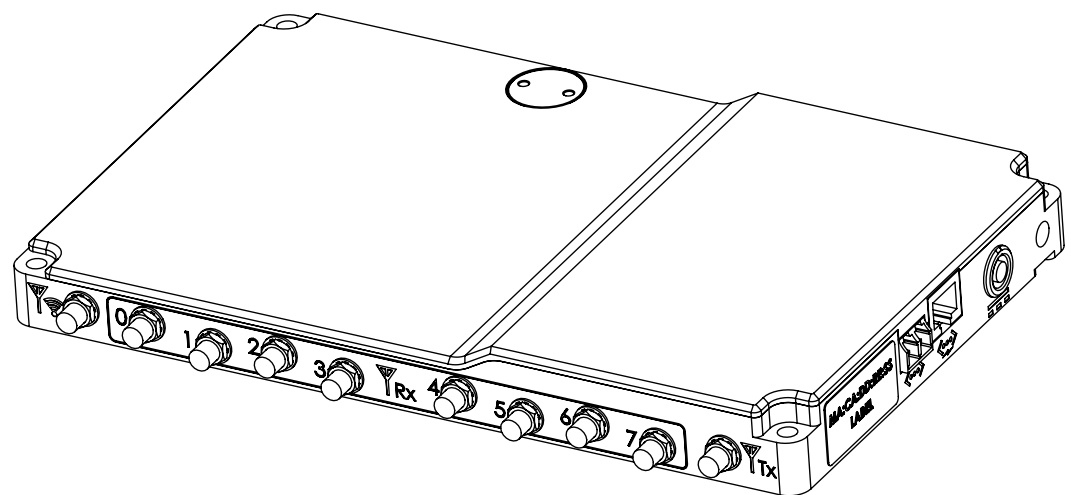
NOTES: (UNLESS OTHERWISE SPECIFIED)


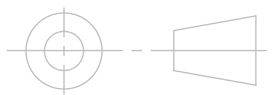
1. SEE SUPPLIED DATA FILE FOR COMPLETE NOMINAL PART GEOMETRY.
FILE NAME = 300-001353-REV-A.IGS
OR 300-001353-REV-A.STEP.

2. ALL PARTS TO BE CLEANED AND FREE OF CUTTING OILS OR FLUIDS.

- 3 TORQUE NUTS TO 15 IN-LBS (1.7 NM)
- 4 APPLY LOCTITE 220 TO FASTENERS AND TORQUE TO 12 IN-LBS (1.4 NM)
- 5 TORQUE NUT TO 40 IN-LBS (4.5 NM)
- 6 APPLY LOCTITE 220 TO FASTENERS AND TORQUE TO 31 IN-LBS (3.5 NM)
- 7 APPLY LOCTITE 220 SPARINGLY AND TORQUE FIRMLY HAND TIGHT WITH SPANNER NUT DRIVER WITH 13.5 MM PIN SPACING AND 1.7 TO 2.3 MM DIAMETER PINS.

REVISIONS				
ZONE	REV	DESCRIPTION	DATE	APPROVED
-	01	PRODUCTION RELEASE	2013-04-17	LK

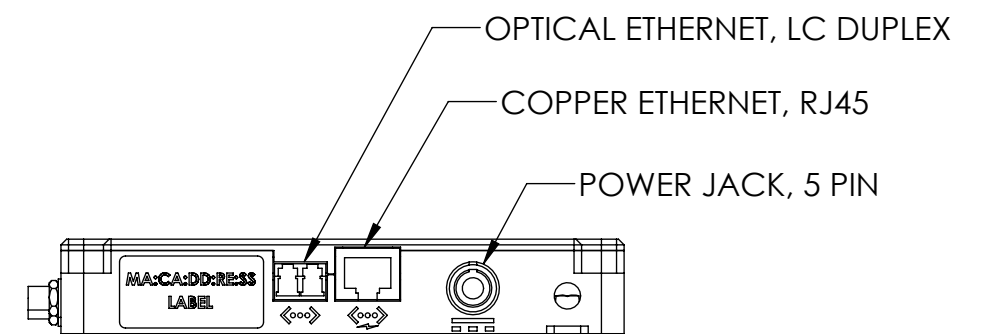
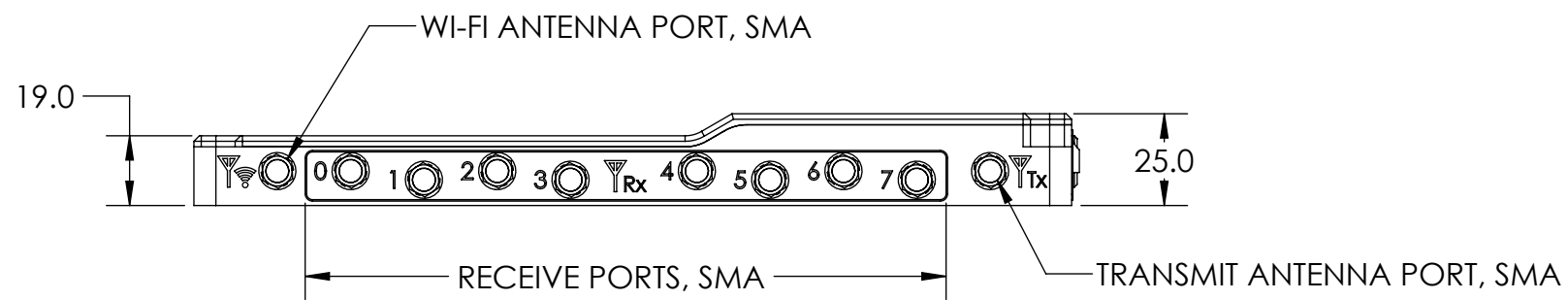
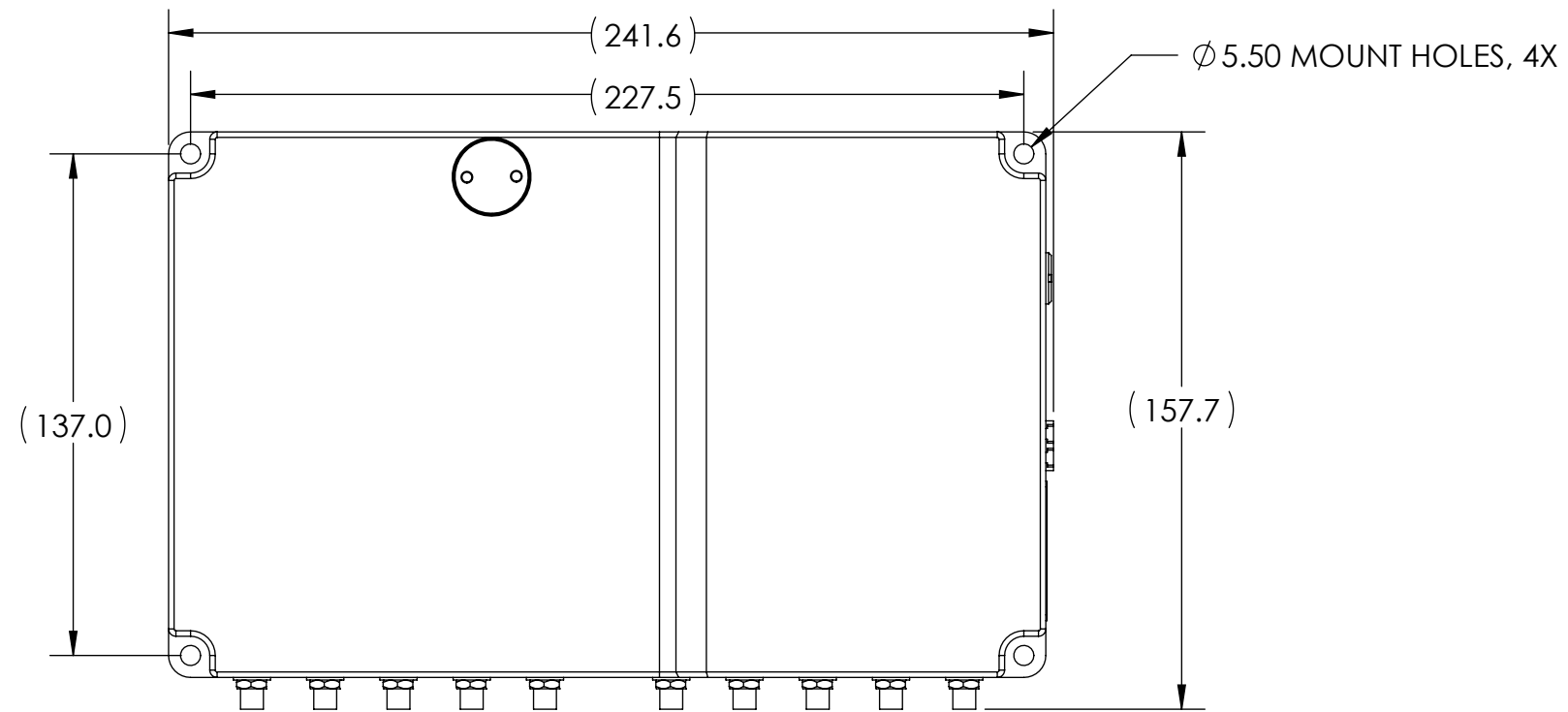


UNLESS OTHERWISE SPECIFIED:		DATE	NAME	 1511 6th AVE, 4th FLOOR SEATTLE, WA 98101 PHONE: 206.381.0898 www.synapse.com	
DIMENSIONS ARE IN MM		DRAWN	2013-01-22		FAS
TOLERANCES:		CHECKED	2013-04-16		SPK
ONE PLACE DECIMAL (.X) ±0.25		DESIGNED	2012-07-11		FAS
TWO PLACE DECIMAL (.XX) ±0.1		INTERPRET GEOMETRIC TOLERANCING PER: ASME Y14.5-2009		TITLE: <h2 style="text-align: center;">XBR V4 ASSEMBLY</h2>	
THREE PLACE DECIMAL (.XXX) ±0.05		THIRD ANGLE PROJECTION			
ANGLE ONE PLACE DECIMAL (.X°) ±2°			SIZE	DWG. NO.	REV
ANGLE TWO PLACE DECIMAL (.XX°) ±0.5°			B	300-001353	A
PROPRIETARY AND CONFIDENTIAL THE INFORMATION CONTAINED IN THIS DRAWING IS THE SOLE PROPERTY OF SYNAPSE STRATEGIC PRODUCT DEVELOPMENT LLC. ANY REPRODUCTION IN PART OR AS A WHOLE WITHOUT THE WRITTEN PERMISSION OF SYNAPSE STRATEGIC PRODUCT DEVELOPMENT LLC. IS PROHIBITED.		SCALE: 1:2		SHEET 1 OF 3	

8 7 6 5 4 3 2 1

8 7 6 5 4 3 2 1

D
C
B
A

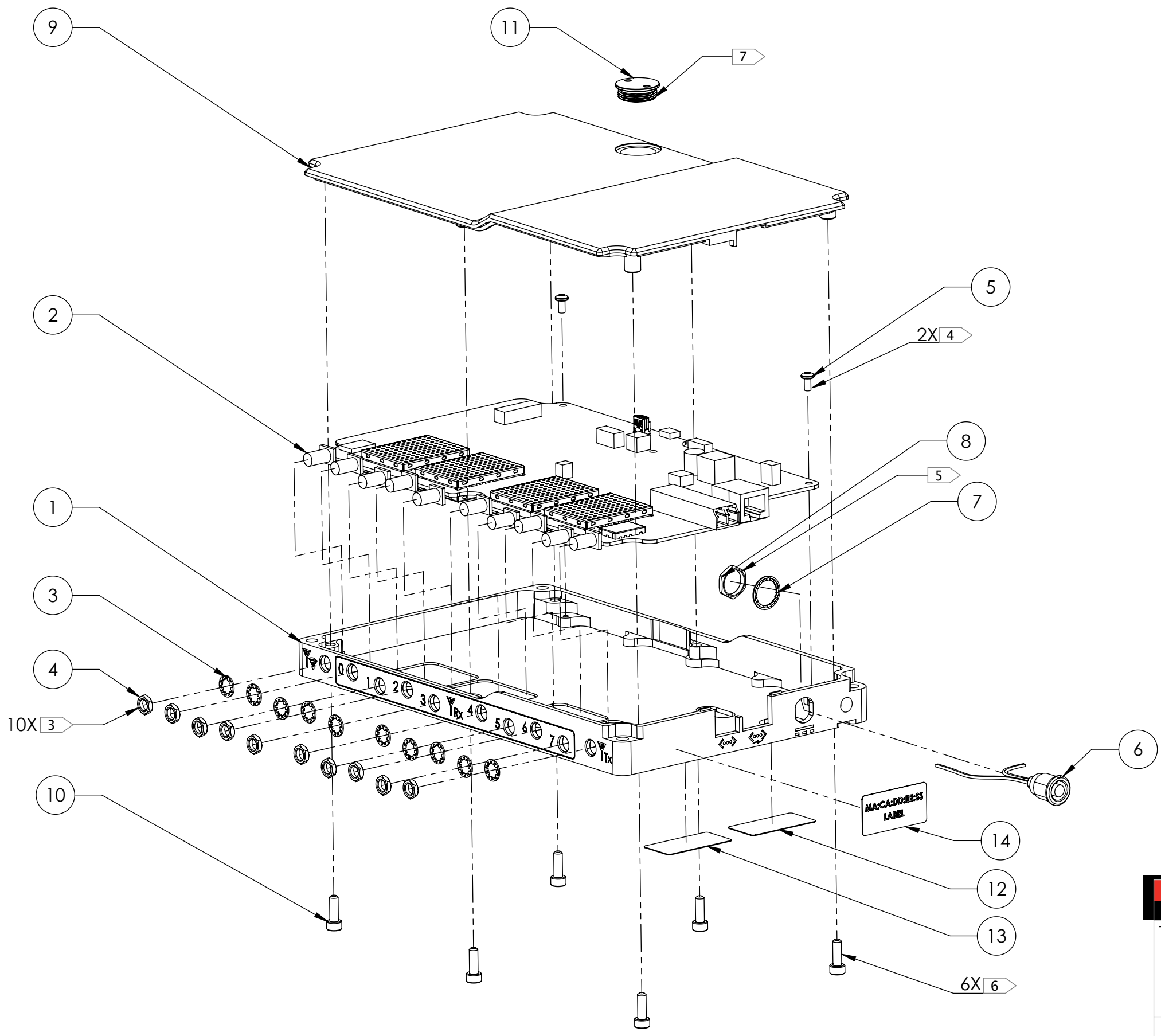


8 7 6 5 4 3 2 1

SYNAPSE Product Development			1511 6th AVE, 4th FLOOR SEATTLE, WA 98101 PHONE: 206.381.0898 www.synapse.com
TITLE: xBR V4 ASSEMBLY			
SIZE B	DWG. NO. 300-001353	REV A	
SCALE: 1:2		SHEET 2 OF 3	

8 7 6 5 4 3 2 1

D
C
B
A



TITLE:		
xBR V4 ASSEMBLY		
SIZE B	DWG. NO. 300-001353	REV A
SCALE: 1:2		SHEET 3 OF 3

8 7 6 5 4 3 2 1