

65

MODEL **FZ709** clarion

---

**12V = 15A max**  
**AM 530-1710kHz / FM 87.9-107.9MHz**

---

**FCC ID: Q2ZFZ709**  
THIS DEVICE COMPLIES WITH PART 15 OF THE FCC RULES.  
OPERATION IS SUBJECT TO THE FOLLOWING TWO CONDITIONS:  
(1) THIS DEVICE MAY NOT CAUSE HARMFUL INTERFERENCE, AND  
(2) THIS DEVICE MUST ACCEPT ANY INTERFERENCE RECEIVED,  
INCLUDING INTERFERENCE THAT MAY CAUSE UNDESIRED OPERATION.

---

**IC: 419D-FZ709**  
THIS CLASS B DIGITAL APPARATUS COMPLIES WITH CANADIAN ICES-003.  
CET APPAREIL NUMÉRIQUE DE LA CLASSE B EST CONFORME À LA NORME  
NMB-003 DU CANADA.

---

**FUSE RATING: 15A 32VDC**

---

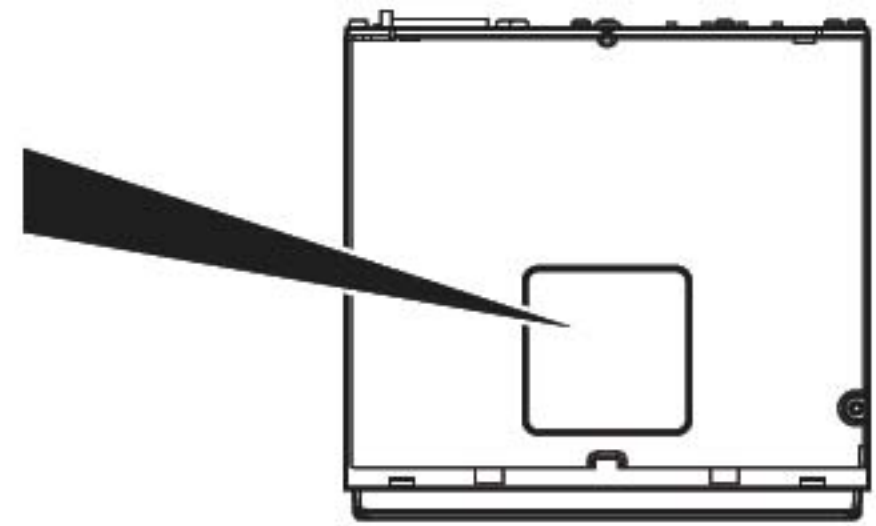
MANUFACTURED: CLARION MALAYSIA

SERIAL No.  
PE-8502B

**LF**

276-0520-00  
Clarion Co., Ltd.  
MADE IN MALAYSIA

75



**Bottom View of Source Unit**  
Vue de l'appareil Pilote Par Dessous  
Vista Inferior de la Unidad Fuente