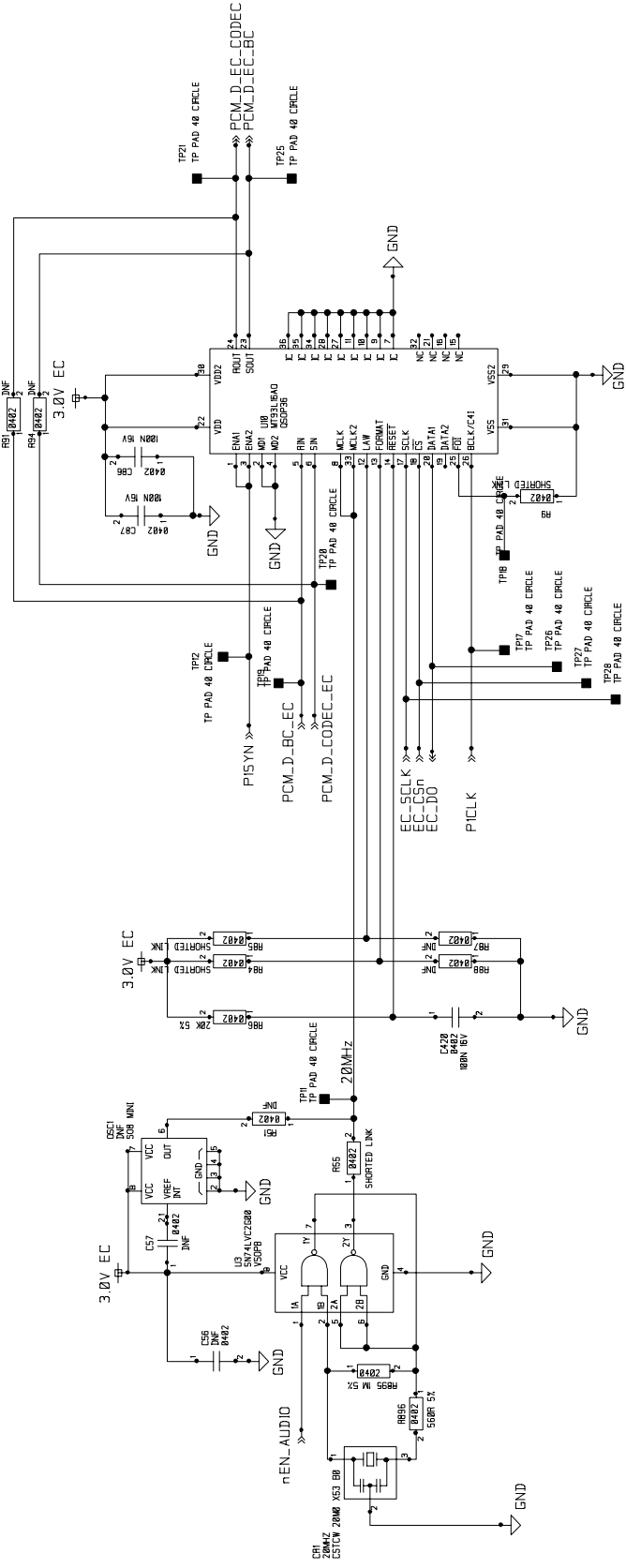


ECR/ECN	Initials	Issue	Date
F1YR05	MTJH	03	30/08/02
F1YR06	MTJH	01	16/09/02

R81 and R84 may be sited under the Echo Cancellor U08 as they will only be needed if U08 is not fitted.



Plextek Limited owns the copyright of this drawing which is not to be copied, reproduced or disclosed, in part or whole without prior written permission.

Notes

Plextek Limited Communications Technology Consultants
 London Road, Great Chesterford, Essex CB10 1NY
 Tel: (01799) 533200 Fax: (01799) 533201

Drawn by MTJH
 Checked
 D.D. Approved

Project	FIDO
Title	Echo Cancellation
Doc. No.	FIPIS04
SCALE	SHEET 4 OF 6