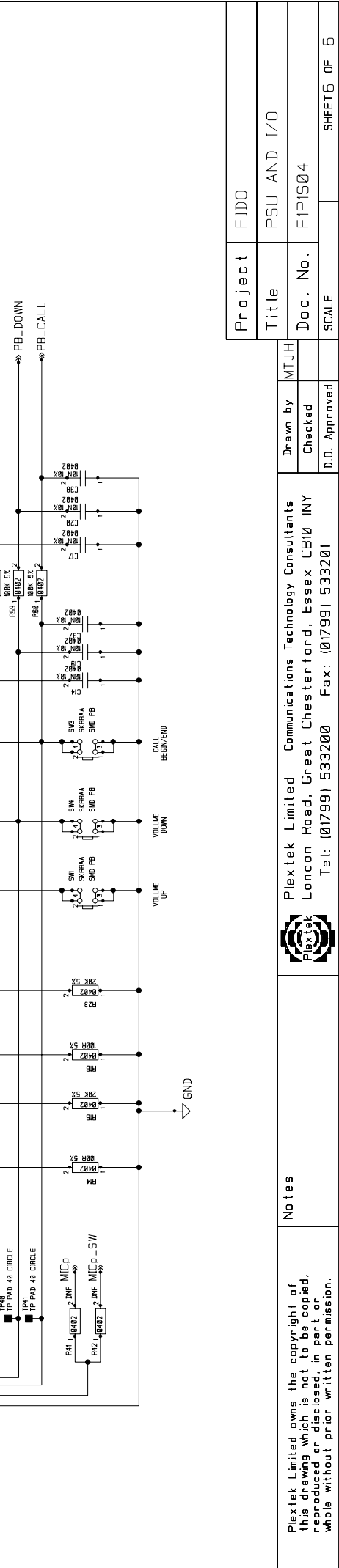
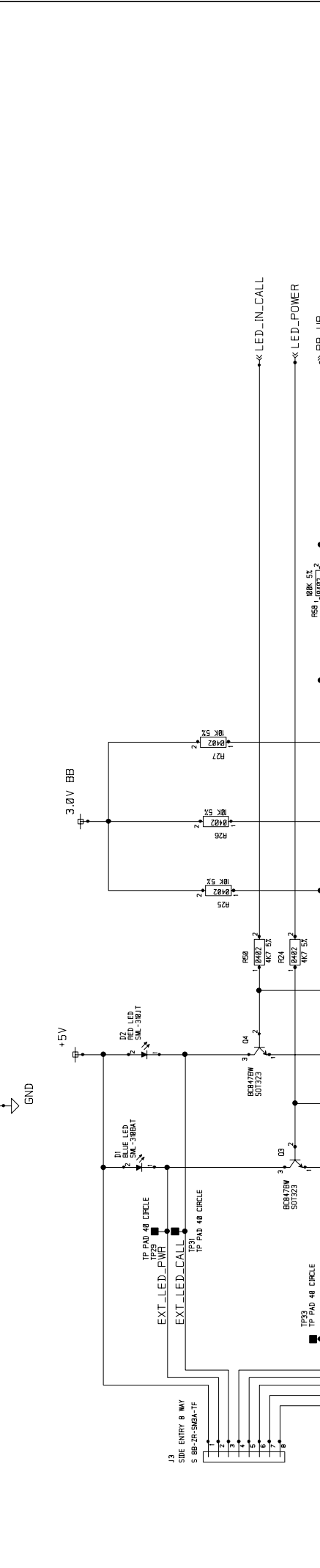
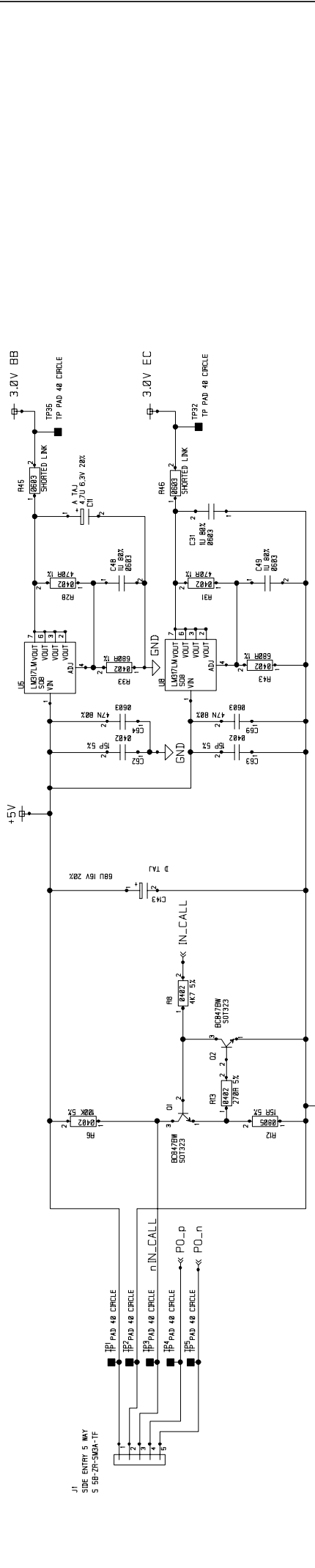


ECR/ECN	Initials	Issue	Date
F1YR05	MTJH	03	30/08/02
F1YR06	MTJH	01	16/09/02



Project		FIDO
Title		PSU AND I/O
Doc. No.		FIPIS04
SCALE		SHEET 6 OF 6

Plectek Limited
 London Road, Great Chesterford, Essex CB10 1NY
 Tel: (01799) 533200 Fax: (01799) 533201

Plectek Limited owns the copyright of this drawing which is not to be copied, reproduced or disclosed, in part or whole without prior written permission.

Notes

Drawn by MTJH
 Checked
 D.O. Approved