

AC WIRELESS DOORBELL

Model No.: B1905-W1909

Features:

1. Battery-Operated bell push button, powered by 1x 3V CR2032 Battery.
2. 32 sounds with 24 polyphonic.
3. LED indicator in the receiver.
4. Receiver with volume control.
5. 100M operating range in the open air.
6. Self-learning technology avoid interference.
7. Transmitter is with LED and waterproof.
8. Receiver is power by 120V/60Hz, with US plug.

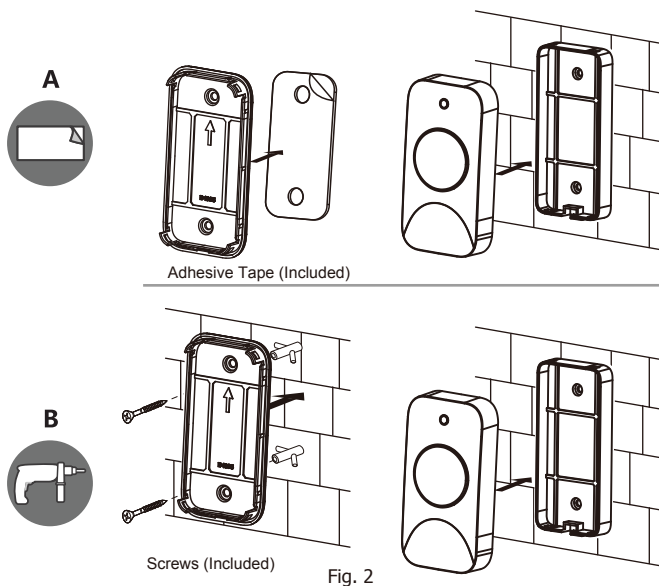
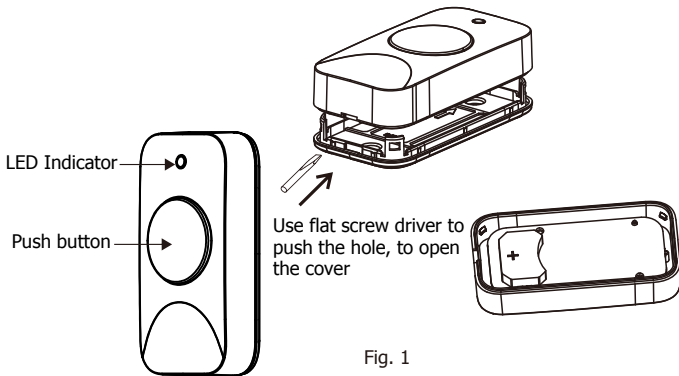
Features of technology:

- 1) One transmitter can control up to eight AC receivers.
 - 2) At most 4 transmitters can control one AC receiver.
- Note: The transmitter for AC receiver is not allowed to use with DC receiver, and the transmitter for DC receiver is also not allowed to use with AC receiver.

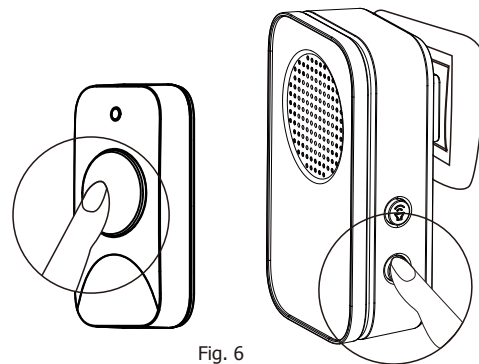
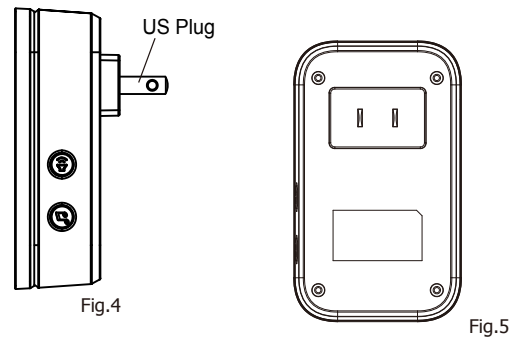
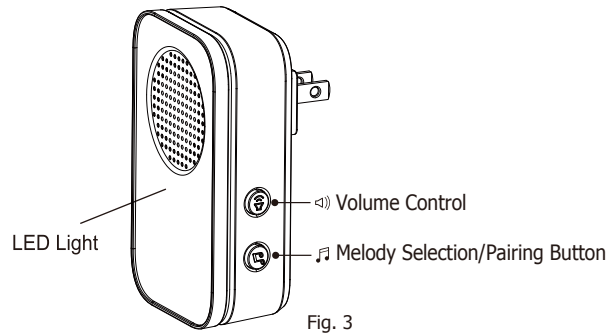
Installation:

The transmitter can be mounted on door frame.
The chime should be plugged into the socket for main power supply.

Transmitter



Receiver:



This device complies with part 15 of the FCC Rules.

Operation is subject to the following two conditions: (1) This device may not cause harmful interference, and (2) this device must accept any interference received, including interference that may cause undesired operation.

Note: This equipment has been tested and found to comply with the limits for a Class B digital device, pursuant to Part 15 of the FCC Rules.

These limits are designed to provide reasonable protection against harmful interference in a residential installation. This equipment generates uses and can radiate radio frequency energy and, if not installed and used in accordance with the instructions, may cause harmful interference to radio communications.

However, there is no guarantee that interference will not occur in a particular installation. If this equipment does cause harmful interference to radio or television reception, which can be determined by turning the equipment off and on, the user is encouraged to try to correct the interference by one or more of the following measures:

Reorient or relocate the receiving antenna.

Increase the separation between the equipment and receiver.

Connect the equipment into an outlet on a circuit different from that to which the receiver is connected.

Consult the dealer or an experienced radio/TV technician for help.

Warning: Changes or modifications to this unit not expressly approved by the part responsible for compliance could void the user's authority to operate the equipment.

FCC Radiation Exposure Statement

The device has been evaluated to meet general RF exposure requirement. The device can be used in portable exposure condition without restriction.