

Item No.: D1-612P

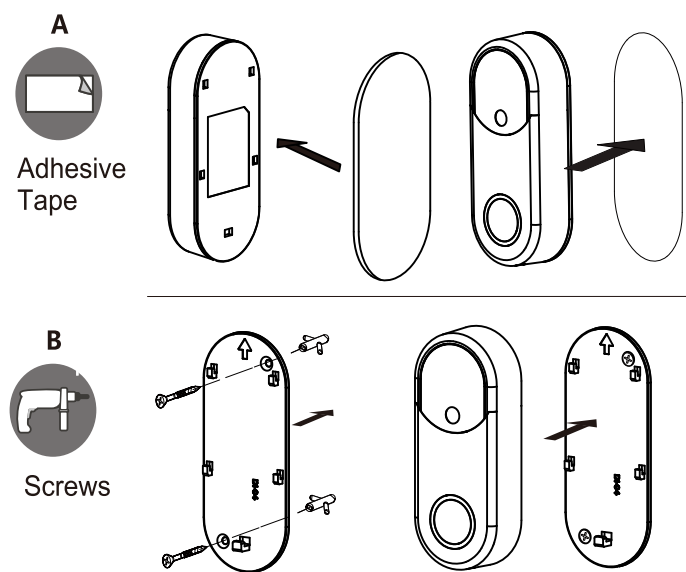
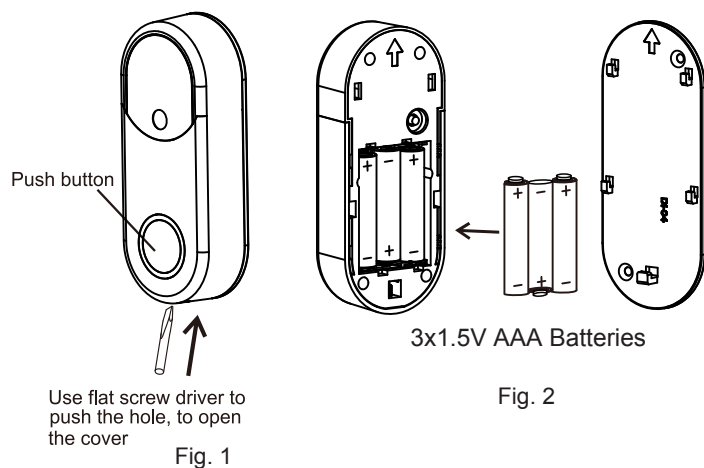
Features:

1. 32 high quality sounds
2. Self-learning function avoid interference
3. 150m operating range in the open air
4. 4 level volume control
5. Bell Push uses 3 x AAA 1.5V Battery
6. Receiver is with 3 x AA 1.5V batteries (not supply)

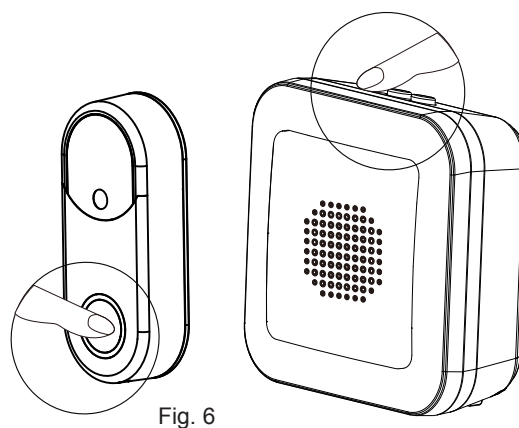
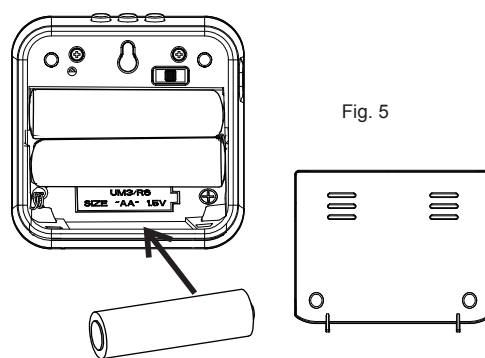
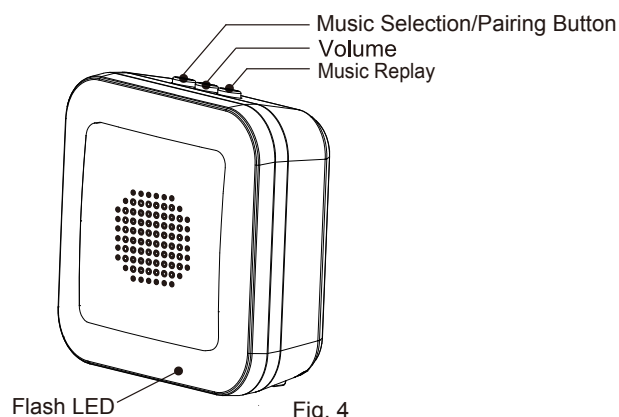
Installation

The bell push can be mounted on door frame.
The chime can be put on table or put to the strip.

Transmitter unit



Receiver unit



How to Pairing:

The bell push button and receiver have been pairing during the packaging. If your doorbell is not working well. You can follow up below 3 steps to reset the product.

1. Clear the pairing codes inside the receiver. Firstly, press /hold the "melody selection button", then install the final battery into the battery compartment, hold to press the button for about 8 seconds, you will see the receiver's LED flashing, then release the button, the codes are all removed from the internal memory.
2. Pairing the bell push button and receiver again. Press/hold the "melody selection button" on the receiver about 4 seconds, and release the button until you hear "Ding-Ding" sound, then press the bell push button, now you will hear the receiver play "Ding" sound, you can wait for another "Ding-Ding" sound or press the "melody selection bell push button" directly to exit the pairing mode.
3. Press the bell push button and test if pairing is completed, then enjoy the use of our product again.

This device complies with part 15 of the FCC Rules. Operation is subject to the

following two conditions: (1) This device may not cause harmful interference, and (2)

this device must accept any interference received, including interference that may cause undesired operation.

Warning: Any changes or modifications to this unit not expressly approved by the party responsible for compliance could void the user's authority to operate the equipment

NOTE: This equipment has been tested and found to comply with the limits for a Class B digital device, pursuant to part 15 of the FCC Rules. These limits are designed to provide reasonable protection against harmful interference in a residential installation. This equipment generates, uses and can radiate radio frequency energy and, if not installed and used in accordance with the instructions, may cause harmful interference to radio communications. However, there is no guarantee that interference will not occur in a particular installation. If this equipment does cause harmful interference to radio or television reception, which can be determined by turning the equipment off and on, the user is encouraged to try to correct the interference by one or more of the following measures:

- Reorient or relocate the receiving antenna.
- Increase the separation between the equipment and receiver.
- Connect the equipment into an outlet on a circuit different from that to which the receiver is connected.
- Consult the dealer or an experienced radio/TV technician for help.

RF Exposure

The equipment has been evaluated to meet general RF exposure requirement. The device can be used in portable condition without restriction.