

Shunde Advante Electron Ltd.

Wireless Door Chime

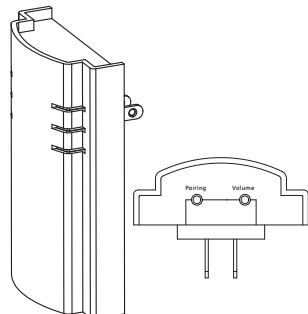
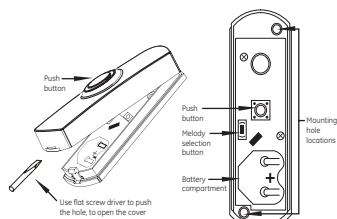
Installation Instructions

Required Tools: small flat blade screwdriver and 1/16"

The wireless door chime kit has two components:

Push-Button (Transmitter) Figure 1

Receiver Figure 1



Installing battery in push button

1. Remove the front cover of the push button housing by pushing a flat blade screwdriver into the slot at the bottom of the transmitter. (See Figure 1)
2. Install the CR2032 battery (included) with the positive side up.
3. Keep the front cover off the push button until melody selection is complete.

Pairing the transmitter to receiver

NOTE- the chime and receiver come paired in the package. Once battery is installed in the push button and chime is plugged in, press the button to ensure the chime sounds.

IF CHIME DOES NOT SOUND, FOLLOW DIRECTIONS BELOW TO PAIR THE TRANSMITTER TO RECEIVER.

1. To clear settings: Press and hold the Pairing button on the bottom of the chime while plugging the chime into the outlet.
2. Once chime is plugged in, release the Pairing button.
3. Press and hold the Pairing button again. You will hear the "Ding Dong" melody twice, and then the double beep to alert you the chime is ready to pair with the push button. Release the Pairing button.
4. Press the push button and you will hear one beep letting you know the chime accepted the signal.
5. Wait 10 seconds and you will hear the double beep again to alert you the chime is now paired with the push button.
6. Press the push button to test.

Melody Selection Setting

The chime has 8 different melodies. Select the melody by pushing the Melody Selection Button located inside the push button housing (See Figure 1). Press and release the button until you hear the desired melody. Table 1 shows the order the melodies will be heard.

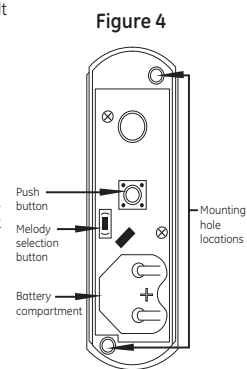
The last melody played will be your selected chime melody.

1 Dingdong	4 Fanfare	7 Patriotic
2 Westmister	5 Mozart	8 Tango
3 Knocks (3 times)	6 Good Vibes	

Push Button Mounting Instructions

NOTE: Avoid mounting on metal surfaces, as it may result in a reduce range of transmission. Do not mount in an area exposed to direct rain. Push buttons are typically mounted at the same height as the door knob or handle (between 36" and 44" above the floor).

1. Remove the front cover of the push button. (See Figure 1)
2. Before mounting, choose a mounting location that is no further than 150 feet from the chime unit location. Place the push button where you would like to mount and test with the chime as close to its final location as possible. If it works, continue with mounting the button. If it does not work, see TROUBLESHOOTING.
3. Drill two holes with 1/16" drill bit in the marked mounting hole locations. (See Figure 4)
4. With arrow on the back plate pointing up, secure the back plate to the mounting surface with the two 2x12mm screws included.
5. Press front housing onto back cover.
6. Test operation. If chime does not work, see TROUBLESHOOTING.



Troubleshooting

If the chime does not work:

1. Make sure push button switch is pressed down and held for at least 1 second.
2. Verify battery installation is correct, noting polarity.
3. Try a fresh battery in push button.
4. Make sure chime is no further than 150 feet away from push button.
5. Ensure push button is not mounted on metal, near metal studs, or near the floor.
6. Try a new location for the chime.

Functional range may be adversely affected by one or more of the following factors: weather, radio frequency interference, low transmitter battery and obstructions between the transmitter and receiver.

This device complies with part 15 of the FCC rules. Operation is subject to the following two conditions:

- (1) this device may not cause harmful interference, and (2) this device must accept any interference received, including interference that may cause undesired operation.

NOTE: This equipment has been tested and found to comply with the limits for a Class B digital device, pursuant to Part 15 of the FCC Rules. These limits are designed to provide reasonable protection against harmful interference in a residential installation. This equipment generates, uses and can radiate radio frequency energy and, if not installed and used in accordance with the instructions may cause harmful interference to radio communications. However, there is no guarantee that interference will not occur in a particular installation. If this equipment does cause harmful interference to radio or television reception, which can be determined by turning the equipment off and on, the user is encourage to try to correct the interference by one or more of the following measures:

- Reorient or relocate the receiving antenna.
- Increase the separation between the equipment and receiver.
- Connect the equipment into an outlet on a circuit different from that to which the receiver is connected.
- Consult the dealer or an experienced radio/TV technician for help.

Warning: Changes or modifications to this unit not expressly approved by the part responsible for compliance could void the users authority to operate the equipment.

Made in China - Hecho en China