

Wireless Door Chime with Thermometer&Clock Instruction Manual

Index

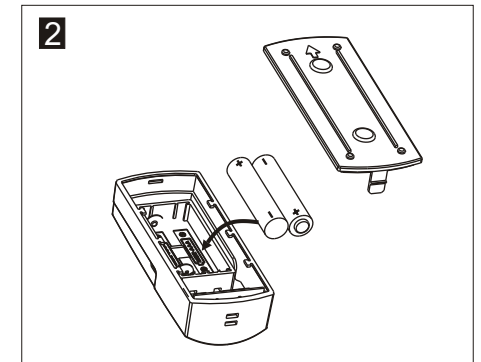
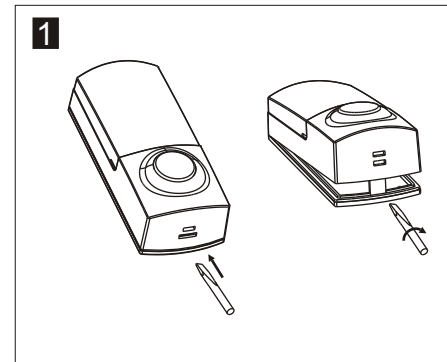
1. Main Features
2. Panel Function
 - A. Push
 - B. Receiver
 - C. Button Function
3. Operation Instruction
 - A. Clock Setting
 - B. Alarm Setting
 - C. 12/24 mode & °C/ °F Shift
4. Wireless Date Search & Receive
5. Signal Icon
6. Temperature Icon
7. Trouble Shooting

1. Main Features

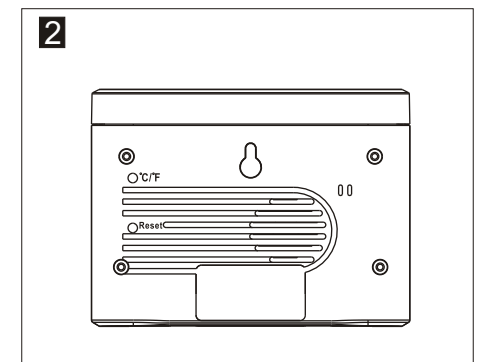
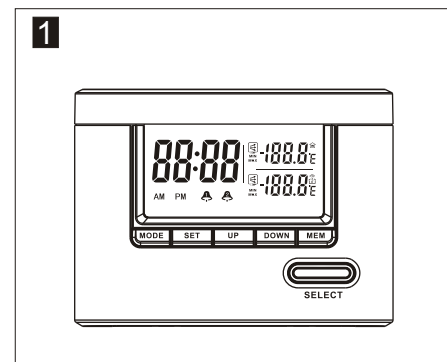
- A. 32 sounds 24 polyphonic, LED indicator in receiver
- B. Wide LCD display Time, Indoor/Outdoor Temperature
- C. Time with 12/24 mode shift, alarms can ring for 1 minute, two alarms both are available.
- D. Can display the current environment temperature (indoors and outdoors).
The temperature range: -20.0°C~90.0°C (-4.0°F~194.0°F).

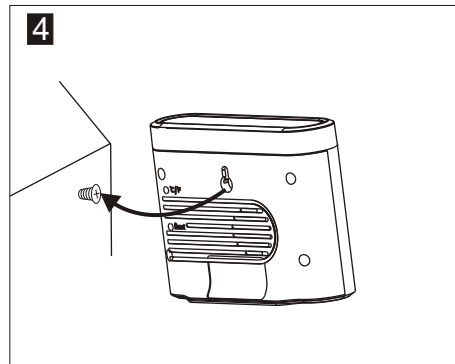
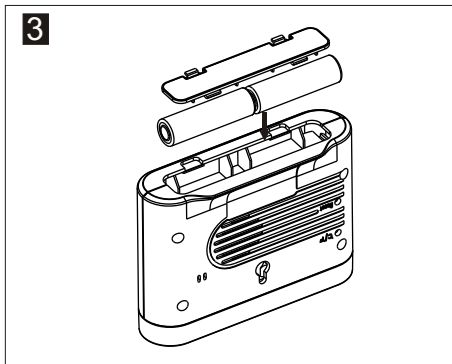
2. Panel Function

A. Push



B. Receiver





3. Operation Instruction

A. Clock Setting

In normal status, press [SET] key more than 2 seconds to set time and date. The setting sequence is hour and minute, press [UP] key and [DOWN] key to change the flashing digit. After setting, press [SET] key or no operation for 10 seconds, it will exit and display the current setting time.

B. Alarm Setting

In normal status, press [MODE] to set the Alarm1, then press [SET] for 2 secs, set the alarm time. Same as the time setting. Press [SET] to settle the setting. Re-press [MODE] can start setting of Alarm2, same as the Alarm1 setting.

C. 12/24 mode & °C/°F Shift

In normal status, press SET key to shift from 12/24 hour mode.

4. Wireless Data Search & Receive

After reload of batteries or press reset on the receiver, the receiver will begin to search wireless data for 5 mins. After reload of batteries or press reset on the push, the push will transmit outdoor temperature data to receiver one time per 83 secs. Once the receiver can receive the data, the LCD will display the outdoor temperature and will update the data per 83 secs. Otherwise the LCD will display “-----” means can not receive any data from push, record is blank.

C. Button Function

1. Push

A.[Push]: Press and initiate the door bell.

B. [Reset]: Press and reset the push, after 7 secs, the push will transmit updated temperature data to the receiver.

2.Receiver

A. [MODE]: Time, Alarm 1, Alarm 2.

B. [SET]: In normal status, press for 12/24 mode shift, pressing more than 2 seconds to set Time/Alarm.

C. [UP]: In normal status, press to activate Alarm1, Alarm2 or both. In setting status, press to put forward the time.

D. [DOWN]: In setting status, press to put backward the time.

E. [MEM]: Press to shift Max/Min temperature respectively for indoors and outdoors. Pressing for more than 2 secs to erase the record of Max. & Min. temperature data.

F. [SELECT]: Press to select 32 melodies.

G. [°C/°F]: Press to shift °C/°F degree.Press 2 secs to re-start the receipt of outdoor temperature from the push unit.

H.[Reset]: Press to reset the system both for time and thermometer.

