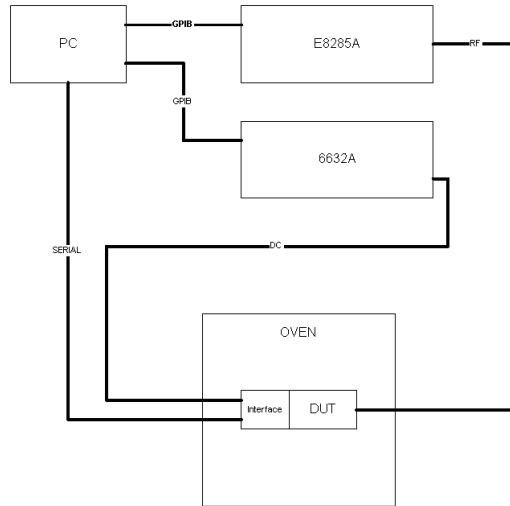


8.0 Frequency Stability vs Temperature
FCC 2.1055

8.1 Test Procedure



Test setup block diagram

The AIRCARD 555 was placed inside the temperature chamber. After the temperature stabilized for approximately 20 minutes, the transmitting frequency was recorded.

8.2 Test Equipment

Aglient e8285A CDMA Mobile Station Test Set
HP 6632A DC Power Supply

8.3 Test Results

Test Result:	Complies. Emission attenuation on the band-edges frequencies of the frequency block is not affected by the measured frequency instability.
--------------	--

Transmitting Frequency: 1880 MHz

Temperature (°C)	Frequency (MHz)	Difference (Hz)
-30	1880.000002	2.43
-20	1879.999995	-5.02
-10	1879.999991	-9.32
0	1880.000007	7.50
10	1879.999997	-2.69
20	1880.000008	8.29
30	1880.000003	2.63
40	1879.999996	-3.55
50	1880.000002	1.59

Note: The measured frequency stability vs. temperature for the Cellular band is identical (% difference) to the above table since the transmitting frequency is locked to the same oscillator.

9.0 Frequency Stability vs Voltage
FCC 2.1055

9.1 Test Procedure

For the test setup block diagram, refer to sec. 8.

The Aircard 555 was connected to a DC Power Supply. The voltage was set to 115% of the nominal value and was then decreased to 85% of the nominal value. The output frequency was recorded for each voltage setting.

9.2 Test Equipment

Aglient e8285A CDMA Mobile Station Test Set
HP 6632A DC Power Supply

9.3 Test Results.

Test Result:	Complies. Emission attenuation on the band-edges frequencies of the frequency block is not affected by the measured frequency instability.
--------------	--

Transmitting Frequency: 837 MHz

Vcc, Volts	Frequency (MHz)	Difference (Hz)
4.0	836.999995	-5.08
6.0	837.000006	6.23

Transmitting Frequency: 1880 MHz

Vcc, Volts	Frequency (MHz)	Difference (Hz)
4.0	1880.000003	3.31
6.0	1880.000002	2.39

Sierra Wireless Inc. AIRCARD 555
FCC ID: N7NACRD555

Date of Test: July 16-28, 2001

10.0 Miscellaneous Comments

For setup photos see separate file "Set Up Photos"