

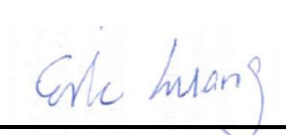
# FCC SAR Test Report

APPLICANT : Xplore Technologies Corp.  
EQUIPMENT : Wireless Module  
BRAND NAME : Xplore Technologies Corp  
MODEL NAME : 7260HMW  
FCC ID : Q2G7260H  
STANDARD : FCC 47 CFR Part 2 (2.1093)  
ANSI/IEEE C95.1-1992  
IEEE 1528-2003

The product was installed into Tablet PC (Brand Name Xplore Technologies Corp, Model Name: iX104C6) during test.

We, SPORTON INTERNATIONAL INC., would like to declare that the tested sample has been evaluated in accordance with the procedures and shown the compliance with the applicable technical standards.

The test results in this report apply exclusively to the tested model / sample. Without written approval of SPORTON INTERNATIONAL INC., the test report shall not be reproduced except in full.



Reviewed by: Eric Huang / Deputy Manager



Approved by: Jones Tsai / Manager



## SPORTON INTERNATIONAL INC.

No. 52, Hwa Ya 1<sup>st</sup> Rd., Hwa Ya Technology Park, Kwei-Shan Hsiang, Tao Yuan Hsien, Taiwan, R.O.C.

SPORTON INTERNATIONAL INC.

TEL : 886-3-327-3456

FAX : 886-3-328-4978

FCC ID : Q2G7260H

Page Number : 1 of 51

Report Issued Date : Jan. 23, 2014

Report Version : Rev. 01



Table of Contents

1. Statement of Compliance ..... 4
2. Administration Data ..... 5
2.1 Testing Laboratory ..... 5
2.2 Applicant ..... 5
2.3 Application Details ..... 5
3. General Information ..... 6
3.1 Description of Equipment Under Test (EUT) ..... 6
3.2 Maximum RF output power among production units ..... 6
3.3 Applied Standard ..... 8
3.4 Device Category and SAR Limits ..... 8
3.5 Test Conditions ..... 8
4. Specific Absorption Rate (SAR) ..... 9
4.1 Introduction ..... 9
4.2 SAR Definition ..... 9
5. SAR Measurement System ..... 10
5.1 E-Field Probe ..... 11
5.2 Data Acquisition Electronics (DAE) ..... 11
5.3 Robot ..... 12
5.4 Measurement Server ..... 12
5.5 Phantom ..... 13
5.6 Device Holder ..... 14
5.7 Data Storage and Evaluation ..... 15
5.8 Test Equipment List ..... 17
6. Tissue Simulating Liquids ..... 18
7. System Verification Procedures ..... 20
7.1 Purpose of System Performance check ..... 20
7.2 System Setup ..... 20
7.3 SAR System Verification Results ..... 21
8. EUT Testing Position ..... 22
9. Measurement Procedures ..... 22
9.1 Spatial Peak SAR Evaluation ..... 22
9.2 Power Reference Measurement ..... 23
9.3 Area & Zoom Scan Procedures ..... 23
9.4 Volume Scan Procedures ..... 24
9.5 SAR Averaged Methods ..... 24
9.6 Power Drift Monitoring ..... 24
10. Bluetooth Exclusions Applied ..... 24
11. Conducted RF Output Power (Unit: dBm) ..... 25
12. Antenna Location ..... 39
13. SAR Test Results ..... 41
13.1 Body SAR ..... 41
13.2 Repeated SAR Measurement ..... 43
13.3 Highest SAR Plot ..... 44
14. Simultaneous Transmission Analysis ..... 46
14.1 Body Exposure Conditions ..... 47
15. Uncertainty Assessment ..... 48
16. References ..... 51
Appendix A. Plots of System Performance Check
Appendix B. Plots of SAR Measurement
Appendix C. DASy Calibration Certificate
Appendix D. Test Setup Photos



### Revision History

REPORT NO.	VERSION	DESCRIPTION	ISSUED DATE
FA3N1525	Rev. 01	Initial issue of report	Jan. 23, 2014



**1. Statement of Compliance**

The maximum results of Specific Absorption Rate (SAR) found during testing for **Xplore Technologies Corp. Wireless Module, 7260HMW** are as follows.

**<Highest SAR Summary>**

Exposure Position	Frequency Band	Reported 1g-SAR (W/kg)	Equipment Class	Highest Reported 1g-SAR (W/kg)
Body	WLAN 5.2GHz Band	1.09	NII	1.21
	WLAN 5.3GHz Band	0.91		
	WLAN 5.5GHz Band	1.21		
	WLAN 5.8GHz Band	1.00	DTS	1.34
	WLAN 2.4GHz Band	1.34		

**<Highest Simultaneous transmission SAR>**

Exposure Position	Frequency Band	Equipment Class	Highest Reported Simultaneous Transmission 1g-SAR (W/kg)
Body	WLAN 2.4GHz Band	DTS	1.41
	WLAN 2.4GHz Band	DTS	

Exposure Position	Frequency Band	Equipment Class	Highest Reported Simultaneous Transmission 1g-SAR (W/kg)
Body	WLAN 5.2GHz Band	NII	1.56
	WLAN 5.2GHz Band	NII	

Exposure Position	Frequency Band	Equipment Class	Highest Reported Simultaneous Transmission 1g-SAR (W/kg)
Body	WLAN 2.4GHz Band	DTS	1.50
	Bluetooth	DSS	

This device is in compliance with Specific Absorption Rate (SAR) for general population/uncontrolled exposure limits (1.6 W/kg) specified in FCC 47 CFR part 2 (2.1093) and ANSI/IEEE C95.1-1992, and had been tested in accordance with the measurement methods and procedures specified in IEEE 1528-2003.



## 2. Administration Data

### 2.1 Testing Laboratory

<b>Test Site</b>	SPORTON INTERNATIONAL INC.
<b>Test Site Location</b>	No. 52, Hwa Ya 1 <sup>st</sup> Rd., Hwa Ya Technology Park, Kwei-Shan Hsiang, Tao Yuan Hsien, Taiwan, R.O.C. TEL: +886-3-327-3456 FAX: +886-3-328-4978

### 2.2 Applicant

<b>Company Name</b>	Xplore Technologies Corp.
<b>Address</b>	14000 Summit Road Suite 900, Austin, Texas, 78728 USA

### 2.3 Application Details

<b>Date of Start during the Test</b>	Dec. 18, 2013
<b>Date of End during the Test</b>	Dec. 22, 2013



### 3. General Information

#### 3.1 Description of Equipment Under Test (EUT)

Product Feature & Specification	
EUT	Wireless Module
Brand Name	Xplore Technologies Corp
Model Name	7260HMW
FCC ID	Q2G7260H
S / N	816G101002G337006D0M000
Wireless Technology and Frequency Range	WLAN 2.4GHz Band: 2412 MHz ~ 2462 MHz WLAN 5.2GHz Band: 5180 MHz ~ 5240 MHz WLAN 5.3GHz Band: 5260 MHz ~ 5320 MHz WLAN 5.5GHz Band: 5500 MHz ~ 5700 MHz WLAN 5.8GHz Band: 5745 MHz ~ 5825 MHz Bluetooth: 2402 MHz ~ 2480 MHz
Mode	• 802.11a/b/g/n/ac HT20/HT40/VHT20/VHT40/VHT80 • Bluetooth v2.1+EDR · Bluetooth v4.0 LE
<b>Remark:</b> 1. The above EUT's information was declared by manufacturer. Please refer to the specifications or user's manual for more detailed description.	

Host Information	
Host Name	Rugged Tablet PC
Brand Name	Xplore Technologies Corp
Model Name	iX104C6
Antenna Type	WLAN: PIFA Antenna Bluetooth: PIFA Antenna

#### 3.2 Maximum RF output power among production units

Band / Mode	Average Power (dBm)	
	v2.1+EDR	v4.0+LE
Bluetooth	3.5	6

Band / Frequency (MHz)		IEEE 802.11 Average Power (dBm)									
		Ant 0				Ant 1				Ant 0+1	
		11b	11g	HT20	HT40	11b	11g	HT20	HT40	HT20	HT40
2.4GHz Band	2412	15.5	13.5	13.5		14	12	12		15.5	
	2422				12				10		11.5
	2437	15.5	16.5	16.5	16.5	14	15.5	15.5	13.5	16.5	16
	2452				13				13		15
	2462	15.5	13.5	13.5		14	13.5	13.5		16.5	



Band / Frequency (MHz)		IEEE 802.11 Average Power (dBm)										
		Ant 0				Ant 1				Ant 0+1		
		11a	HT20 / VHT20	HT40 / VHT40	VHT80	11a	HT20 / VHT20	HT40 / VHT40	VHT80	HT20 / VHT20	HT40 / VHT40	VHT80
5.2GHz Band	5180	13.5	13.5			13	13			14		
	5190			9.5				10			11	
	5200	16	16			16	16			16		
	5210				8.5				8.5			9.5
	5220	15	15.5			15	15.5			15.5		
	5230			15.5				15.5			15.5	
	5240	15	15.5			15	15.5			15.5		
5.3GHz Band	5260	13.5	13.5			13	13			14		
	5270			9.5				10			11	
	5280	16	16			16	16			16		
	5290				10.5				11			11.5
	5300	16	16			16	16			16		
	5310			11				11			12	
	5320	13.5	13.5			13	13			14.5		
5.5GHz Band	5500	13.5	13.5			13	13			14		
	5510			10.5				10.5			11	
	5520	16.5	16.5			16.5	16.5			16.5		
	5530				9				9			9.5
	5540	16.5	16.5			16.5	16.5			16.5		
	5550			16.5				16.5			16.5	
	5560	16.5	16.5			16.5	16.5			16.5		
	5580	16.5	16.5			16.5	16.5			16.5		
	5600	16.5	16.5			16.5	16.5			16.5		
	5610				14				14			17
	5620	16.5	16.5			16.5	16.5			16.5		
	5630			15.5				15.5			16.5	
	5640	16.5	16.5			16.5	16.5			16.5		
	5660	16.5	16.5			16.5	16.5			16.5		
	5670			15.5				15.5			16	
	5680	16.5	16.5			16.5	16.5			16.5		
	5690				14				14			17
5700	13	13			12.5	12.5			13.5			
5710			16.5				16.5			16.5		
5720	16.5	16.5			16.5	16.5			16.5			
5.8GHz Band	5745	16.5	16.5			16.5	16.5			16.5		
	5755			16.5				16.5			16.5	
	5765	16.5	16.5			16.5	16.5			16.5		
	5775				14				14			16.5
	5785	16.5	16.5			16.5	16.5			16.5		
	5795			16.5				16.5			16.5	
	5805	16.5	16.5			16.5	16.5			16.5		
5825	16.5	16.5			16.5	16.5			16.5			



**3.3 Applied Standard**

The Specific Absorption Rate (SAR) testing specification, method, and procedure for this device is in accordance with the following standards:

- FCC 47 CFR Part 2 (2.1093)
- ANSI/IEEE C95.1-1992
- IEEE 1528-2003
- FCC KDB 865664 D01 SAR Measurement 100 MHz to 6 GHz v01r02
- FCC KDB 865664 D02 SAR Reporting v01r01
- FCC KDB 447498 D01 General RF Exposure Guidance v05r01
- FCC KDB 248227 D01 SAR meas for 802 11abg v01r02
- FCC KDB 644545 D01 Guidance for IEEE 802 11ac v01r02
- FCC KDB 616217 D04 SAR for laptop and tablets v01r01

**3.4 Device Category and SAR Limits**

This device belongs to portable device category because its radiating structure is allowed to be used within 20 centimeters of the body of the user. Limit for General Population/Uncontrolled exposure should be applied for this device, it is 1.6 W/kg as averaged over any 1 gram of tissue.

**3.5 Test Conditions**

**3.5.1 Ambient Condition**

Ambient Temperature	20 to 24 °C
Humidity	< 60 %

**3.5.2 Test Configuration**

During WLAN SAR testing EUT is configured with the WLAN continuous TX tool.

For WLAN SAR testing, WLAN engineering testing software installed on the EUT can provide continuous transmitting RF signal.



## **4. Specific Absorption Rate (SAR)**

### **4.1 Introduction**

SAR is related to the rate at which energy is absorbed per unit mass in an object exposed to a radio field. The SAR distribution in a biological body is complicated and is usually carried out by experimental techniques or numerical modeling. The standard recommends limits for two tiers of groups, occupational/controlled and general population/uncontrolled, based on a person's awareness and ability to exercise control over his or her exposure. In general, occupational/controlled exposure limits are higher than the limits for general population/uncontrolled.

### **4.2 SAR Definition**

The SAR definition is the time derivative (rate) of the incremental energy (dW) absorbed by (dissipated in) an incremental mass (dm) contained in a volume element (dv) of a given density ( $\rho$ ). The equation description is as below:

$$\text{SAR} = \frac{d}{dt} \left( \frac{dW}{dm} \right) = \frac{d}{dt} \left( \frac{dW}{\rho dv} \right)$$

SAR is expressed in units of Watts per kilogram (W/kg)

SAR measurement can be either related to the temperature elevation in tissue by

$$\text{SAR} = C \left( \frac{\delta T}{\delta t} \right)$$

Where: C is the specific heat capacity,  $\delta T$  is the temperature rise and  $\delta t$  is the exposure duration, or related to the electrical field in the tissue by

$$\text{SAR} = \frac{\sigma |E|^2}{\rho}$$

Where:  $\sigma$  is the conductivity of the tissue,  $\rho$  is the mass density of the tissue and E is the RMS electrical field strength.

However for evaluating SAR of low power transmitter, electrical field measurement is typically applied.

## 5. SAR Measurement System



**Fig 5.1 SPEAG DASY System Configurations**

The DASY system for performance compliance tests is illustrated above graphically. This system consists of the following items:

- A standard high precision 6-axis robot with controller, a teach pendant and software
- A data acquisition electronic (DAE) attached to the robot arm extension
- A dosimetric probe equipped with an optical surface detector system
- The electro-optical converter (EOC) performs the conversion between optical and electrical signals
- A measurement server performs the time critical tasks such as signal filtering, control of the robot operation and fast movement interrupts.
- A probe alignment unit which improves the accuracy of the probe positioning
- A computer operating Windows XP
- DASY software
- Remote control with teach pendant and additional circuitry for robot safety such as warning lamps, etc.
- The SAM twin phantom
- A device holder
- Tissue simulating liquid
- Dipole for evaluating the proper functioning of the system

Component details are described in in the following sub-sections.

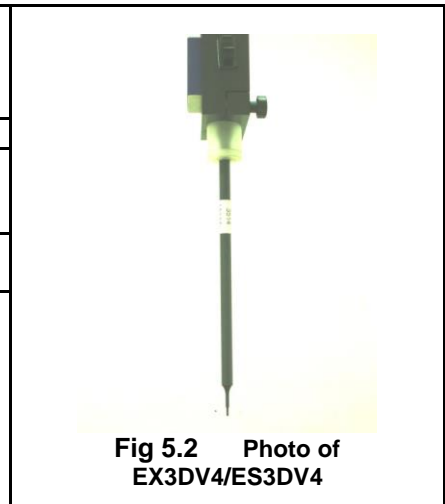
**5.1 E-Field Probe**

The SAR measurement is conducted with the dosimetric probe (manufactured by SPEAG). The probe is specially designed and calibrated for use in liquid with high permittivity. The dosimetric probe has special calibration in liquid at different frequency. This probe has a built in optical surface detection system to prevent from collision with phantom.

**5.1.1 E-Field Probe Specification**

**<EX3DV4 Probe>**

<b>Construction</b>	Symmetrical design with triangular core Built-in shielding against static charges PEEK enclosure material (resistant to organic solvents, e.g., DGBE)
<b>Frequency</b>	10 MHz to 6 GHz; Linearity: $\pm 0.2$ dB
<b>Directivity</b>	$\pm 0.3$ dB in HSL (rotation around probe axis) $\pm 0.5$ dB in tissue material (rotation normal to probe axis)
<b>Dynamic Range</b>	10 $\mu$ W/g to 100 mW/g; Linearity: $\pm 0.2$ dB (noise: typically $< 1 \mu$ W/g)
<b>Dimensions</b>	Overall length: 330 mm (Tip: 20 mm) Tip diameter: 2.5 mm (Body: 12 mm) Typical distance from probe tip to dipole centers: 1 mm



**Fig 5.2 Photo of EX3DV4/ES3DV4**

**5.1.2 E-Field Probe Calibration**

Each probe needs to be calibrated according to a dosimetric assessment procedure with accuracy better than  $\pm 10\%$ . The spherical isotropy shall be evaluated and within  $\pm 0.25$ dB. The sensitivity parameters (NormX, NormY, and NormZ), the diode compression parameter (DCP) and the conversion factor (ConvF) of the probe are tested. The calibration data can be referred to appendix C of this report.

**5.2 Data Acquisition Electronics (DAE)**

The data acquisition electronics (DAE) consists of a highly sensitive electrometer-grade preamplifier with auto-zeroing, a channel and gain-switching multiplexer, a fast 16 bit AD-converter and a command decoder and control logic unit. Transmission to the measurement server is accomplished through an optical downlink for data and status information as well as an optical uplink for commands and the clock. The input impedance of the DAE is 200 MOhm; the inputs are symmetrical and floating. Common mode rejection is above 80 dB.



**Fig 5.3 Photo of DAE**

### **5.3 Robot**

The SPEAG DASY system uses the high precision robots (DASY4: RX90BL; DASY5: TX90XL) type from Stäubli SA (France). For the 6-axis controller system, the robot controller version (DASY4: CS7MB; DASY5: CS8c) from Stäubli is used. The Stäubli robot series have many features that are important for our application:

- High precision (repeatability  $\pm 0.035$  mm)
- High reliability (industrial design)
- Jerk-free straight movements
- Low ELF interference (the closed metallic construction shields against motor control fields)



**Fig 5.4 Photo of DASY4**



**Fig 5.5 Photo of DASY5**

### **5.4 Measurement Server**

The measurement server is based on a PC/104 CPU board with CPU (DASY4: 166 MHz, Intel Pentium; DASY5: 400 MHz, Intel Celeron), chipdisk (DASY4: 32 MB; DASY5: 128 MB), RAM (DASY4: 64 MB, DASY5: 128 MB). The necessary circuits for communication with the DAE electronic box, as well as the 16 bit AD converter system for optical detection and digital I/O interface are contained on the DASY I/O board, which is directly connected to the PC/104 bus of the CPU board.

The measurement server performs all the real-time data evaluation for field measurements and surface detection, controls robot movements and handles safety operations.



**Fig 5.6 Photo of Server for DASY4**



**Fig 5.7 Photo of Server for DASY5**

**5.5 Phantom**

**<SAM Twin Phantom>**

<b>Shell Thickness</b>	2 ± 0.2 mm; Center ear point: 6 ± 0.2 mm
<b>Filling Volume</b>	Approx. 25 liters
<b>Dimensions</b>	Length: 1000 mm; Width: 500 mm; Height: adjustable feet
<b>Measurement Areas</b>	Left Hand, Right Hand, Flat Phantom



**Fig 5.8 Photo of SAM Phantom**

The bottom plate contains three pair of bolts for locking the device holder. The device holder positions are adjusted to the standard measurement positions in the three sections. A white cover is provided to tap the phantom during off-periods to prevent water evaporation and changes in the liquid parameters. On the phantom top, three reference markers are provided to identify the phantom position with respect to the robot.

**<ELI4 Phantom>**

<b>Shell Thickness</b>	2 ± 0.2 mm (sagging: <1%)
<b>Filling Volume</b>	Approx. 30 liters
<b>Dimensions</b>	Major ellipse axis: 600 mm Minor axis: 400 mm



**Fig 5.9 Photo of ELI4 Phantom**

The ELI4 phantom is intended for compliance testing of handheld and body-mounted wireless devices in the frequency range of 30 MHz to 6 GHz. ELI4 is fully compatible with standard and all known tissue simulating liquids.

## 5.6 Device Holder

### <Device Holder for SAM Twin Phantom>

The SAR in the phantom is approximately inversely proportional to the square of the distance between the source and the liquid surface. For a source at 5 mm distance, a positioning uncertainty of  $\pm 0.5$  mm would produce a SAR uncertainty of  $\pm 20$  %. Accurate device positioning is therefore crucial for accurate and repeatable measurements. The positions in which the devices must be measured are defined by the standards.

The DASY device holder is designed to cope with different positions given in the standard. It has two scales for the device rotation (with respect to the body axis) and the device inclination (with respect to the line between the ear reference points). The rotation center for both scales is the ear reference point (ERP). Thus the device needs no repositioning when changing the angles.

The DASY device holder is constructed of low-loss POM material having the following dielectric parameters: relative permittivity  $\epsilon = 3$  and loss tangent  $\delta = 0.02$ . The amount of dielectric material has been reduced in the closest vicinity of the device, since measurements have suggested that the influence of the clamp on the test results could thus be lowered.



Fig 5.10 Device Holder

### <Laptop Extension Kit>

The extension is lightweight and made of POM, acrylic glass and foam. It fits easily on the upper part of the mounting device in place of the phone positioned. The extension is fully compatible with the SAM Twin and ELI phantoms.

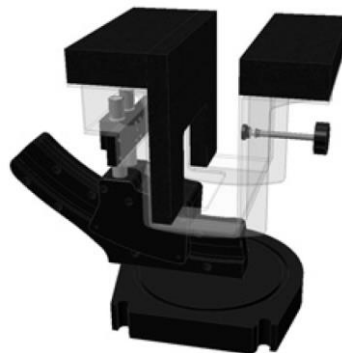


Fig 5.11 Laptop Extension Kit



## 5.7 Data Storage and Evaluation

### 5.7.1 Data Storage

The DASY software stores the assessed data from the data acquisition electronics as raw data (in microvolt readings from the probe sensors), together with all the necessary software parameters for the data evaluation (probe calibration data, liquid parameters and device frequency and modulation data) in measurement files. The post-processing software evaluates the desired unit and format for output each time the data is visualized or exported. This allows verification of the complete software setup even after the measurement and allows correction of erroneous parameter settings. For example, if a measurement has been performed with an incorrect crest factor parameter in the device setup, the parameter can be corrected afterwards and the data can be reevaluated.

The measured data can be visualized or exported in different units or formats, depending on the selected probe type (e.g., [V/m], [A/m], [mW/g]). Some of these units are not available in certain situations or give meaningless results, e.g., a SAR-output in a non-lose media, will always be zero. Raw data can also be exported to perform the evaluation with other software packages.

### 5.7.2 Data Evaluation

The DASY post-processing software (SEMCAD) automatically executes the following procedures to calculate the field units from the microvolt readings at the probe connector. The parameters used in the evaluation are stored in the configuration modules of the software :

<b>Probe parameters :</b>	- Sensitivity	Norm <sub>i</sub> , a <sub>i0</sub> , a <sub>i1</sub> , a <sub>i2</sub>
	- Conversion factor	ConvF <sub>i</sub>
	- Diode compression point	dcp <sub>i</sub>
<b>Device parameters :</b>	- Frequency	f
	- Crest factor	cf
<b>Media parameters :</b>	- Conductivity	σ
	- Density	ρ

These parameters must be set correctly in the software. They can be found in the component documents or they can be imported into the software from the configuration files issued for the DASY components. In the direct measuring mode of the multi-meter option, the parameters of the actual system setup are used. In the scan visualization and export modes, the parameters stored in the corresponding document files are used.

The first step of the evaluation is a linearization of the filtered input signal to account for the compression characteristics of the detector diode. The compensation depends on the input signal, the diode type and the DC-transmission factor from the diode to the evaluation electronics. If the exciting field is pulsed, the crest factor of the signal must be known to correctly compensate for peak power.

The formula for each channel can be given as :

$$V_i = U_i + U_i^2 \cdot \frac{cf}{dcp_i}$$

with  $V_i$  = compensated signal of channel i, (i = x, y, z)  
 $U_i$  = input signal of channel i, (i = x, y, z)  
 cf = crest factor of exciting field (DASY parameter)  
 dcp<sub>i</sub> = diode compression point (DASY parameter)

From the compensated input signals, the primary field data for each channel can be evaluated :

$$\text{E-field Probes : } E_i = \sqrt{\frac{V_i}{\text{Norm}_i \cdot \text{ConvF}}}$$

$$\text{H-field Probes : } H_i = \sqrt{V_i \cdot \frac{a_{i0} + a_{i1}f + a_{i2}f^2}{f}}$$

with  $V_i$  = compensated signal of channel i, (i = x, y, z)  
 $\text{Norm}_i$  = sensor sensitivity of channel i, (i = x, y, z),  $\mu\text{V}/(\text{V/m})^2$  for E-field Probes  
 ConvF = sensitivity enhancement in solution  
 $a_{ij}$  = sensor sensitivity factors for H-field probes  
 f = carrier frequency [GHz]  
 $E_i$  = electric field strength of channel i in V/m  
 $H_i$  = magnetic field strength of channel i in A/m

The RSS value of the field components gives the total field strength (Hermitian magnitude) :

$$E_{\text{tot}} = \sqrt{E_x^2 + E_y^2 + E_z^2}$$

The primary field data are used to calculate the derived field units.

$$\text{SAR} = E_{\text{tot}}^2 \cdot \frac{\sigma}{\rho \cdot 1000}$$

with SAR = local specific absorption rate in mW/g  
 $E_{\text{tot}}$  = total field strength in V/m  
 $\sigma$  = conductivity in [mho/m] or [Siemens/m]  
 $\rho$  = equivalent tissue density in  $\text{g}/\text{cm}^3$

Note that the density is set to 1, to account for actual head tissue density rather than the density of the tissue simulating liquid.





5.8 Test Equipment List

Manufacturer	Name of Equipment	Type/Model	Serial Number	Calibration	
				Last Cal.	Due Date
SPEAG	2450MHz System Validation Kit	D2450V2	924	Nov. 13, 2013	Nov. 12, 2014
SPEAG	5GHz System Validation Kit	D5GHzV2	1128	Jul. 24, 2013	Jul. 23, 2014
SPEAG	Data Acquisition Electronics	DAE3	577	May. 08, 2013	May. 07, 2014
SPEAG	Dosimetric E-Field Probe	EX3DV4	3898	Jan. 14, 2013	Jan. 13, 2014
SPEAG	Dosimetric E-Field Probe	EX3DV4	3661	Jan. 15, 2013	Jan. 14, 2014
Wisewind	Thermometer	ETP-101	TM685	Oct. 22, 2013	Oct. 21, 2014
SPEAG	Device Holder	N/A	N/A	NCR	NCR
R&S	Signal Generator	SMF 100A	101107	May. 27, 2013	May. 26, 2014
SPEAG	Dielectric Probe Kit	DAK-3.5	1126	Jul. 23, 2013	Jul. 22, 2014
Agilent	ENA Network Analyzer	E5071C	MY46316648	Feb. 07, 2013	Feb. 06, 2014
Anritsu	Power Meter	ML2495A	1132003	Aug. 28, 2013	Aug. 27, 2014
Anritsu	Power Sensor	MA2411B	1126017	Aug. 27, 2013	Aug. 26, 2014
Agilent	Dual Directional Coupler	778D	50422	Note 2	
Woken	Attenuator 1	WK0602-XX	N/A	Note 2	
PE	Attenuator 2	PE7005-10	N/A	Note 2	
PE	Attenuator 3	PE7005- 3	N/A	Note 2	
AR	Power Amplifier	5S1G4M2	328767	Note 3	
R&S	Spectrum Analyzer	FSP 7	101131	Jul. 09, 2013	Jul. 08, 2014

Table 5.1 Test Equipment List

Note:

1. The calibration certificate of DASYS can be referred to appendix C of this report.
2. The Insertion Loss calibration of Dual Directional Coupler and Attenuator were characterized via the network analyzer and compensated during system check.
3. In system check we need to monitor the level on the power meter, and adjust the power amplifier level to have precise power level to the dipole; the measured SAR will be normalized to 1W input power according to the ratio of 1W to the input power to the dipole. For system check, the calibration of the power amplifier is deemed not critically required for correct measurement; the power meter is critical and we do have calibration for it
4. Attenuator 1 insertion loss is calibrated by the network Analyzer, which the calibration is valid, before system check.

## 6. Tissue Simulating Liquids

For the measurement of the field distribution inside the SAM phantom with DASY, the phantom must be filled with around 25 liters of homogeneous body tissue simulating liquid. For head SAR testing, the liquid height from the ear reference point (ERP) of the phantom to the liquid top surface is larger than 15 cm, which is shown in Fig. 6.1. For body SAR testing, the liquid height from the center of the flat phantom to the liquid top surface is larger than 15 cm, which is shown in Fig. 6.2.

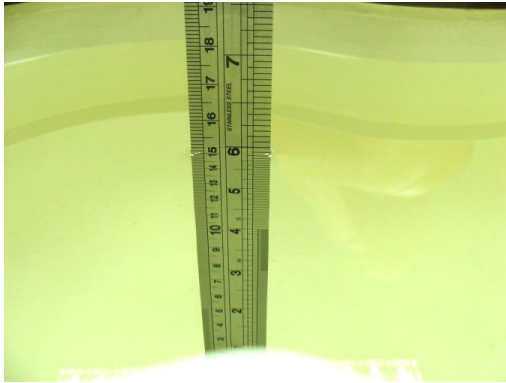


Fig 6.1 Photo of Liquid Height for Head SAR



Fig 6.2 Photo of Liquid Height for Body SAR

The following table gives the recipes for tissue simulating liquid.

Frequency (MHz)	Water (%)	Sugar (%)	Cellulose (%)	Salt (%)	Preventol (%)	DGBE (%)	Conductivity ( $\sigma$ )	Permittivity ( $\epsilon_r$ )
<b>For Head</b>								
750	41.1	57.0	0.2	1.4	0.2	0	0.89	41.9
835	40.3	57.9	0.2	1.4	0.2	0	0.90	41.5
900	40.3	57.9	0.2	1.4	0.2	0	0.97	41.5
1800, 1900, 2000	55.2	0	0	0.3	0	44.5	1.40	40.0
2450	55.0	0	0	0	0	45.0	1.80	39.2
<b>For Body</b>								
750	51.7	47.2	0	0.9	0.1	0	0.96	55.5
835	50.8	48.2	0	0.9	0.1	0	0.97	55.2
900	50.8	48.2	0	0.9	0.1	0	1.05	55.0
1800, 1900, 2000	70.2	0	0	0.4	0	29.4	1.52	53.3
2450	68.6	0	0	0	0	31.4	1.95	52.7

Table 6.1 Recipes of Tissue Simulating Liquid

### Simulating Liquid for 5G, Manufactured by SPEAG

Ingredients	(% by weight)
Water	64~78%
Mineral oil	11~18%
Emulsifiers	9~15%
Additives and Salt	2~3%



The dielectric parameters of the liquids were verified prior to the SAR evaluation using an SPEAG DAK-3.5 Dielectric Probe Kit and an Agilent Network Analyzer.

The following table shows the measuring results for simulating liquid.

Frequency (MHz)	Tissue Type	Liquid Temp. (°C)	Conductivity ( $\sigma$ )	Permittivity ( $\epsilon_r$ )	Conductivity Target ( $\sigma$ )	Permittivity Target ( $\epsilon_r$ )	Delta ( $\sigma$ ) (%)	Delta ( $\epsilon_r$ ) (%)	Limit (%)	Date
2450	Body	22.2	1.922	53.185	1.95	52.70	-1.44	0.92	±5	2013/12/18
5200	Body	22.4	5.284	47.499	5.30	49.00	-0.30	-3.06	±5	2013/12/20
5300	Body	22.4	5.422	47.242	5.42	48.88	0.04	-3.35	±5	2013/12/20
5600	Body	22.1	5.623	46.749	5.77	48.47	-2.55	-3.55	±5	2013/12/22
5800	Body	22.1	5.956	46.473	6.00	48.20	-0.73	-3.58	±5	2013/12/22

Table 6.2 Measuring Results for Simulating Liquid

## 7. System Verification Procedures

Each DASY system is equipped with one or more system validation kits. These units, together with the predefined measurement procedures within the DASY software, enable the user to conduct the system performance check and system validation. System validation kit includes a dipole, tripod holder to fix it underneath the flat phantom and a corresponding distance holder.

### 7.1 Purpose of System Performance check

The system performance check verifies that the system operates within its specifications. System and operator errors can be detected and corrected. It is recommended that the system performance check be performed prior to any usage of the system in order to guarantee reproducible results. The system performance check uses normal SAR measurements in a simplified setup with a well characterized source. This setup was selected to give a high sensitivity to all parameters that might fail or vary over time. The system check does not intend to replace the calibration of the components, but indicates situations where the system uncertainty is exceeded due to drift or failure.

### 7.2 System Setup

In the simplified setup for system evaluation, the EUT is replaced by a calibrated dipole and the power source is replaced by a continuous wave that comes from a signal generator. The calibrated dipole must be placed beneath the flat phantom section of the SAM twin phantom with the correct distance holder. The distance holder should touch the phantom surface with a light pressure at the reference marking and be oriented parallel to the long side of the phantom. The equipment setup is shown below:

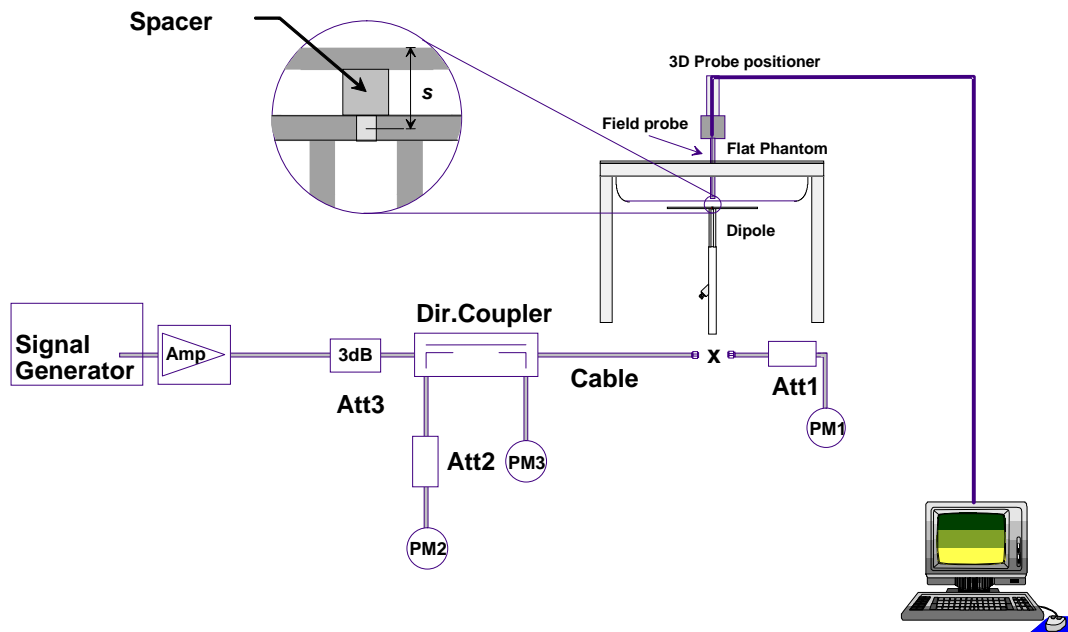


Fig 7.1 System Setup for System Evaluation

1. Signal Generator
2. Amplifier
3. Directional Coupler
4. Power Meter
5. Calibrated Dipole



**Fig 7.2 Photo of Dipole Setup**

**7.3 SAR System Verification Results**

Comparing to the original SAR value provided by SPEAG, the verification data should be within its specification of 10 %. Table 7.1 shows the target SAR and measured SAR after normalized to 1W input power. The table below indicates the system performance check can meet the variation criterion and the plots can be referred to Appendix A of this report.

Date	Frequency (MHz)	Tissue Type	Input Power (mW)	Dipole S/N	Probe S/N	DAE S/N	Measured SAR (W/kg)	Targeted SAR (W/kg)	Normalized SAR (W/kg)	Deviation (%)
2013/12/18	2450	Body	250	D2450V2-924	3898	577	13.10	50.20	52.4	4.38
2013/12/20	5200	Body	100	D5GHzV2-1128	3661	577	7.47	73.40	74.7	1.77
2013/12/20	5300	Body	100	D5GHzV2-1128	3661	577	7.11	74.30	71.1	-4.31
2013/12/22	5600	Body	100	D5GHzV2-1128	3661	577	7.39	77.80	73.9	-5.01
2013/12/22	5800	Body	100	D5GHzV2-1128	3661	577	6.99	72.20	69.9	-3.19

**Table 7.1 Target and Measurement SAR after Normalized**

## **8. EUT Testing Position**

Please refer to Appendix D for the test setup photos.

## **9. Measurement Procedures**

The measurement procedures are as follows:

### <Conducted power measurement>

- (a) For WWAN power measurement, use base station simulator to configure EUT WWAN transmission in conducted connection with RF cable, at maximum power in each supported wireless interface and frequency band.
- (b) Read the WWAN RF power level from the base station simulator.
- (c) For WLAN/BT power measurement, use engineering software to configure EUT WLAN/BT continuously transmission, at maximum RF power in each supported wireless interface and frequency band
- (d) Connect EUT RF port through RF cable to the power meter, and measure WLAN/BT output power

### <SAR measurement>

- (a) Use base station simulator to configure EUT WWAN transmission in radiated connection, and engineering software to configure EUT WLAN/BT continuously transmission, at maximum RF power, in the highest power channel.
- (b) Place the EUT in the positions as Appendix D demonstrates.
- (c) Set scan area, grid size and other setting on the DASY software.
- (d) Measure SAR results for the highest power channel on each testing position.
- (e) Find out the largest SAR result on these testing positions of each band
- (f) Measure SAR results for other channels in worst SAR testing position if the reported SAR of highest power channel is larger than 0.8 W/kg

According to the test standard, the recommended procedure for assessing the peak spatial-average SAR value consists of the following steps:

- (a) Power reference measurement
- (b) Area scan
- (c) Zoom scan
- (d) Power drift measurement

### **9.1 Spatial Peak SAR Evaluation**

The procedure for spatial peak SAR evaluation has been implemented according to the test standard. It can be conducted for 1g and 10g, as well as for user-specific masses. The DASY software includes all numerical procedures necessary to evaluate the spatial peak SAR value.

The base for the evaluation is a "cube" measurement. The measured volume must include the 1g and 10g cubes with the highest averaged SAR values. For that purpose, the center of the measured volume is aligned to the interpolated peak SAR value of a previously performed area scan.

The entire evaluation of the spatial peak values is performed within the post-processing engine (SEMCAD). The system always gives the maximum values for the 1g and 10g cubes. The algorithm to find the cube with highest averaged SAR is divided into the following stages:

- (a) Extraction of the measured data (grid and values) from the Zoom Scan
- (b) Calculation of the SAR value at every measurement point based on all stored data (A/D values and measurement parameters)
- (c) Generation of a high-resolution mesh within the measured volume
- (d) Interpolation of all measured values from the measurement grid to the high-resolution grid
- (e) Extrapolation of the entire 3-D field distribution to the phantom surface over the distance from sensor to surface
- (f) Calculation of the averaged SAR within masses of 1g and 10g

### 9.2 Power Reference Measurement

The Power Reference Measurement and Power Drift Measurements are for monitoring the power drift of the device under test in the batch process. The minimum distance of probe sensors to surface determines the closest measurement point to phantom surface. This distance cannot be smaller than the distance of sensor calibration points to probe tip as defined in the probe properties.

### 9.3 Area & Zoom Scan Procedures

First Area Scan is used to locate the approximate location(s) of the local peak SAR value(s). The measurement grid within an Area Scan is defined by the grid extent, grid step size and grid offset. Next, in order to determine the EM field distribution in a three-dimensional spatial extension, Zoom Scan is required. The Zoom Scan is performed around the highest E-field value to determine the averaged SAR-distribution over 10 g. Area scan and zoom scan resolution setting follows KDB 865664 D01v01r02 quoted below.

When the 1-g SAR of the highest peak is within 2 dB of the SAR limit, additional zoom scans are required for other peaks within 2 dB of the highest peak that have not been included in any zoom scan to ensure there is no increase in SAR.

		$\leq 3$ GHz	$> 3$ GHz	
Maximum distance from closest measurement point (geometric center of probe sensors) to phantom surface		$5 \pm 1$ mm	$\frac{1}{2} \cdot \delta \cdot \ln(2) \pm 0.5$ mm	
Maximum probe angle from probe axis to phantom surface normal at the measurement location		$30^\circ \pm 1^\circ$	$20^\circ \pm 1^\circ$	
Maximum area scan spatial resolution: $\Delta x_{Area}$ , $\Delta y_{Area}$		$\leq 2$ GHz: $\leq 15$ mm 2 – 3 GHz: $\leq 12$ mm	3 – 4 GHz: $\leq 12$ mm 4 – 6 GHz: $\leq 10$ mm	
		When the x or y dimension of the test device, in the measurement plane orientation, is smaller than the above, the measurement resolution must be $\leq$ the corresponding x or y dimension of the test device with at least one measurement point on the test device.		
Maximum zoom scan spatial resolution: $\Delta x_{Zoom}$ , $\Delta y_{Zoom}$		$\leq 2$ GHz: $\leq 8$ mm 2 – 3 GHz: $\leq 5$ mm*	3 – 4 GHz: $\leq 5$ mm* 4 – 6 GHz: $\leq 4$ mm*	
Maximum zoom scan spatial resolution, normal to phantom surface	uniform grid: $\Delta z_{Zoom}(n)$	$\leq 5$ mm	3 – 4 GHz: $\leq 4$ mm 4 – 5 GHz: $\leq 3$ mm 5 – 6 GHz: $\leq 2$ mm	
	graded grid	$\Delta z_{Zoom}(1)$ : between 1 <sup>st</sup> two points closest to phantom surface	$\leq 4$ mm	3 – 4 GHz: $\leq 3$ mm 4 – 5 GHz: $\leq 2.5$ mm 5 – 6 GHz: $\leq 2$ mm
		$\Delta z_{Zoom}(n>1)$ : between subsequent points	$\leq 1.5 \cdot \Delta z_{Zoom}(n-1)$	
Minimum zoom scan volume	x, y, z	$\geq 30$ mm	3 – 4 GHz: $\geq 28$ mm 4 – 5 GHz: $\geq 25$ mm 5 – 6 GHz: $\geq 22$ mm	
<p>Note: <math>\delta</math> is the penetration depth of a plane-wave at normal incidence to the tissue medium; see draft standard IEEE P1528-2011 for details.</p> <p>* When zoom scan is required and the <i>reported</i> SAR from the area scan based 1-g SAR estimation procedures of KDB 447498 is <math>\leq 1.4</math> W/kg, <math>\leq 8</math> mm, <math>\leq 7</math> mm and <math>\leq 5</math> mm zoom scan resolution may be applied, respectively, for 2 GHz to 3 GHz, 3 GHz to 4 GHz and 4 GHz to 6 GHz.</p>				



9.4 Volume Scan Procedures

The volume scan is used for assess overlapping SAR distributions for antennas transmitting in different frequency bands. It is equivalent to an oversized zoom scan used in standalone measurements. The measurement volume will be used to enclose all the simultaneous transmitting antennas. For antennas transmitting simultaneously in different frequency bands, the volume scan is measured separately in each frequency band. In order to sum correctly to compute the 1g aggregate SAR, the EUT remain in the same test position for all measurements and all volume scan use the same spatial resolution and grid spacing. When all volume scan were completed, the software, SEMCAD postprocessor can combine and subsequently superpose these measurement data to calculating the multiband SAR.

9.5 SAR Averaged Methods

In DASYS, the interpolation and extrapolation are both based on the modified Quadratic Shepard's method. The interpolation scheme combines a least-square fitted function method and a weighted average method which are the two basic types of computational interpolation and approximation.

Extrapolation routines are used to obtain SAR values between the lowest measurement points and the inner phantom surface. The extrapolation distance is determined by the surface detection distance and the probe sensor offset. The uncertainty increases with the extrapolation distance. To keep the uncertainty within 1% for the 1 g and 10 g cubes, the extrapolation distance should not be larger than 5 mm.

9.6 Power Drift Monitoring

All SAR testing is under the EUT install full charged battery and transmit maximum output power. In DASYS measurement software, the power reference measurement and power drift measurement procedures are used for monitoring the power drift of EUT during SAR test. Both these procedures measure the field at a specified reference position before and after the SAR testing. The software will calculate the field difference in dB. If the power drifts more than 5%, the SAR will be retested.

10. Bluetooth Exclusions Applied

Table with 3 columns: Band / Mode, Average Power (dBm) v2.1+EDR, Average Power (dBm) v4.0+LE. Row 1: Bluetooth, 3.5, 6

Note:

- 1. Per KDB 447498 D01v05r01, the 1-g and 10-g SAR test exclusion thresholds for 100 MHz to 6 GHz at test separation distances ≤ 50 mm are determined by: [(max. power of channel, including tune-up tolerance, mW)/(min. test separation distance, mm)] · [√f(GHz)] ≤ 3.0 for 1-g SAR and ≤ 7.5 for 10-g extremity SAR
- f(GHz) is the RF channel transmit frequency in GHz
- Power and distance are rounded to the nearest mW and mm before calculation
- The result is rounded to one decimal place for comparison

Table with 4 columns: Bluetooth Max Power (dBm), Test Distance (mm), Frequency (GHz), exclusion thresholds. Row 1: 6, 5, 2.48, 1.26

- 2. Per KDB 447498 D01v05r01 exclusion thresholds is 1.26 < 3, RF exposure evaluation is not required.





## 11. Conducted RF Output Power (Unit: dBm)

### <WLAN 2.4GHz Conducted Power>

**Note:**

1. This device supports SISO mode and MIMO mode configuration, when the single antenna RF power in SISO mode is larger or equal to the single antenna RF power in MIMO mode, and for RF exposure assessment of MIMO mode simultaneous transmission exclusion analysis was performed with SAR test results of each antenna in SISO mode

### <Antenna A>

1. Per KDB 248227 D01 v01r02, choose the highest output power channel to test SAR and determine further SAR exclusion
2. For each frequency band, testing at higher data rates and higher order modulations is not required when the maximum average output power for each of these configurations is less than 1/4dB higher than those measured at the lowest data rate
3. Per KDB 248227 D01 v01r02, 11g, 11n-HT20 and 11n-HT40 average output power is higher than 1/4dB higher than 11b mode, these modes SAR will be verified at the highest RF exposure position found in 802.11b SAR testing.

WLAN 2.4GHz 802.11b Average Power (dBm)			Tune up Limit (dBm)
Power vs. Channel			
Channel	Frequency (MHz)	Data Rate	
CH 1	2412	15.26	15.5
CH 6	2437	15.34	15.5
CH 11	2462	15.18	15.5

WLAN 2.4GHz 802.11g Average Power (dBm)			Tune up Limit (dBm)
Power vs. Channel			
Channel	Frequency (MHz)	Data Rate	
CH 1	2412	13.47	13.5
CH 6	2437	16.24	16.5
CH 11	2462	13.38	13.5

WLAN 2.4GHz 802.11n-HT20 Average Power (dBm)			Tune up Limit (dBm)
Power vs. Channel			
Channel	Frequency (MHz)	MCS Index	
CH 1	2412	13.47	13.5
CH 6	2437	16.35	16.5
CH 11	2462	13.31	13.5

WLAN 2.4GHz 802.11n-HT40 Average Power (dBm)			Tune up Limit (dBm)
Power vs. Channel			
Channel	Frequency (MHz)	MCS Index	
CH 3	2422	11.93	12
CH 6	2437	16.35	16.5
CH 9	2452	12.83	13



<Antenna B>

1. Per KDB 248227 D01 v01r02, choose the highest output power channel to test SAR and determine further SAR exclusion
2. For each frequency band, testing at higher data rates and higher order modulations is not required when the maximum average output power for each of these configurations is less than 1/4dB higher than those measured at the lowest data rate
3. Apply the test exclusion rule in KDB 248227 D01 v01r02 11n-HT40 output power is less than 1/4dB higher than 11b mode, thus the SAR can be excluded.
4. Per KDB 248227 D01 v01r02, 11g and 11n-HT20 average output power is higher than 1/4dB higher than 11b mode, these modes SAR will be verified at the highest RF exposure position found in 802.11b SAR testing.

WLAN 2.4GHz 802.11b Average Power (dBm)			Tune up Limit (dBm)
Power vs. Channel			
Channel	Frequency (MHz)	Data Rate 1Mbps	
CH 1	2412	13.98	14
CH 6	2437	13.99	14
CH 11	2462	13.77	14

WLAN 2.4GHz 802.11g Average Power (dBm)			Tune up Limit (dBm)
Power vs. Channel			
Channel	Frequency (MHz)	Data Rate 6Mbps	
CH 1	2412	11.78	12
CH 6	2437	15.25	15.5
CH 11	2462	13.48	13.5

WLAN 2.4GHz 802.11n-HT20 Average Power (dBm)			Tune up Limit (dBm)
Power vs. Channel			
Channel	Frequency (MHz)	MCS Index MCS0	
CH 1	2412	11.88	12
CH 6	2437	15.21	15.5
CH 11	2462	13.31	13.5

WLAN 2.4GHz 802.11n-HT40 Average Power (dBm)			Tune up Limit (dBm)
Power vs. Channel			
Channel	Frequency (MHz)	MCS Index MCS0	
CH 3	2422	9.81	10
CH 6	2437	13.37	13.5
CH 9	2452	12.86	13



<Antenna A+B>

WLAN 2.4GHz 802.11n-HT20 Average Power (dBm)			Tune up Limit (dBm)
Power vs. Channel			
Channel	Frequency (MHz)	MCS Index MCS8	
CH 1	2412	15.28	15.5
CH 6	2437	16.38	16.5
CH 11	2462	16.09	16.5

WLAN 2.4GHz 802.11n-HT40 Average Power (dBm)			Tune up Limit (dBm)
Power vs. Channel			
Channel	Frequency (MHz)	MCS Index MCS8	
CH 3	2422	11.07	11.5
CH 6	2437	15.87	16
CH 9	2452	14.78	15



<WLAN 5GHz Conducted Power>

Note:

- 1. This device supports SISO mode and MIMO mode configuration, when the single antenna RF power in SISO mode is larger or equal to the single antenna RF power in MIMO mode, and for RF exposure assessment of MIMO mode simultaneous transmission exclusion analysis was performed with SAR test results of each antenna in SISO mode

<Antenna A>

Note:

- 1. Per KDB 248227 D01 v01r02, choose the highest output power channel to test SAR and determine further SAR exclusion
- 2. For each frequency band, testing at higher data rates and higher order modulations is not required when the maximum average output power for each of these configurations is less than 1/4dB higher than those measured at the lowest data rate.
- 3. Apply the test exclusion rule in KDB 248227 D01 v01r02, 11n-HT20/HT40 and 11ac-VHT20/VHT40 output power is less than 1/4dB higher than 802.11a mode, thus the SAR can be excluded.
- 4. For 802.11ac SAR evaluation for each frequency band, 802.11n VHT80 was verified at the worst case found in 802.11a SAR testing.

WLAN 5GHz 802.11a Average Power (dBm)			Tune up Limit (dBm)
Power vs. Channel			
Channel	Frequency (MHz)	Data Rate 6Mbps	
CH 36	5180	13.31	13.5
CH 40	5200	15.81	16
CH 44	5220	14.73	15
CH 48	5240	14.88	15
CH 52	5260	13.40	13.5
CH 56	5280	15.63	16
CH 60	5300	15.72	16
CH 64	5320	13.26	13.5
CH 100	5500	13.35	13.5
CH 104	5520	16.38	16.5
CH 108	5540	16.24	16.5
CH 112	5560	16.01	16.5
CH 116	5580	16.07	16.5
CH 120	5600	16.05	16.5
CH 124	5620	15.98	16.5
CH 128	5640	15.95	16.5
CH 132	5660	15.99	16.5
CH 136	5680	16.23	16.5
CH 140	5700	12.80	13
CH144	5720	16.01	16.5
CH 149	5745	16.26	16.5
CH 153	5765	16.10	16.5
CH 157	5785	16.38	16.5
CH 161	5805	16.20	16.5
CH 165	5825	16.47	16.5



WLAN 5GHz 802.11n-HT20 Average Power (dBm)			Tune up Limit (dBm)
Power vs. Channel			
Channel	Frequency (MHz)	MCS Index MCS0	
CH 36	5180	13.22	13.5
CH 40	5200	15.64	16
CH 44	5220	14.70	15.5
CH 48	5240	14.80	15.5
CH 52	5260	13.38	13.5
CH 56	5280	15.59	16
CH 60	5300	15.68	16
CH 64	5320	13.22	13.5
CH 100	5500	13.26	13.5
CH 104	5520	16.30	16.5
CH 108	5540	16.20	16.5
CH 112	5560	15.98	16.5
CH 116	5580	16.03	16.5
CH 120	5600	16.01	16.5
CH 124	5620	15.92	16.5
CH 128	5640	15.88	16.5
CH 132	5660	15.82	16.5
CH 136	5680	16.11	16.5
CH 140	5700	12.75	13
CH 144	5720	15.88	16.5
CH 149	5745	16.23	16.5
CH 153	5765	16.01	16.5
CH 157	5785	16.25	16.5
CH 161	5805	16.11	16.5
CH 165	5825	16.33	16.5



WLAN 5GHz 802.11n-HT40 Average Power (dBm)			Tune up Limit (dBm)
Power vs. Channel			
Channel	Frequency (MHz)	MCS Index MCS0	
CH 38	5190	9.33	9.5
CH 46	5230	14.82	15.5
CH 54	5270	9.42	9.5
CH 62	5310	10.96	11
CH 102	5510	10.33	10.5
CH 110	5550	16.01	16.5
CH 126	5630	15.48	15.5
CH 134	5670	15.42	15.5
CH 142	5710	15.80	16.5
CH 151	5755	16.24	16.5
CH 159	5795	16.30	16.5

WLAN 5GHz 802.11ac-VHT20 Average Power (dBm)			Tune up Limit (dBm)
Power vs. Channel			
Channel	Frequency (MHz)	MCS Index MCS0	
CH 36	5180	13.25	13.5
CH 40	5200	15.77	16
CH 44	5220	14.72	15.5
CH 48	5240	14.85	15.5
CH 52	5260	13.35	13.5
CH 56	5280	15.52	16
CH 60	5300	15.63	16
CH 64	5320	13.21	13.5
CH 100	5500	13.30	13.5
CH 104	5520	16.22	16.5
CH 108	5540	16.21	16.5
CH 112	5560	15.93	16.5
CH 116	5580	16.00	16.5
CH 120	5600	15.96	16.5
CH 124	5620	15.84	16.5
CH 128	5640	15.81	16.5
CH 132	5660	15.91	16.5
CH 136	5680	16.08	16.5
CH 140	5700	12.68	13
CH 144	5720	15.92	16.5
CH 149	5745	16.11	16.5
CH 153	5765	16.03	16.5
CH 157	5785	16.35	16.5
CH 161	5805	16.19	16.5
CH 165	5825	16.38	16.5



WLAN 5GHz 802.11ac-VHT40 Average Power (dBm)			Tune up Limit (dBm)
Power vs. Channel			
Channel	Frequency (MHz)	MCS Index MCS0	
CH 38	5190	9.30	9.5
CH 46	5230	14.66	15.5
CH 54	5270	9.41	9.5
CH 62	5310	10.88	11
CH 102	5510	10.26	10.5
CH 110	5550	16.12	16.5
CH 126	5630	15.31	15.5
CH 134	5670	15.36	15.5
CH 142	5610	15.76	16.5
CH 151	5755	16.18	16.5
CH 159	5795	16.22	16.5

WLAN 5GHz 802.11ac-VHT80 Average Power (dBm)			Tune up Limit (dBm)
Power vs. Channel			
Channel	Frequency (MHz)	MCS Index MCS0	
CH 42	5210	8.43	8.5
CH 58	5290	10.42	10.5
CH 106	5530	8.88	9
CH 122	5610	13.69	14
CH 138	5690	13.60	14
CH 155	5775	13.84	14



**<Antenna B>**

1. Per KDB 248227 D01 v01r02, choose the highest output power channel to test SAR and determine further SAR exclusion
2. For each frequency band, testing at higher data rates and higher order modulations is not required when the maximum average output power for each of these configurations is less than 1/4dB higher than those measured at the lowest data rate.
3. Apply the test exclusion rule in KDB 248227 D01 v01r02, 11n-HT20/HT40 and 11ac-VHT20/VHT40 output power is less than 1/4dB higher than 802.11a mode, thus the SAR can be excluded.
4. For 802.11ac SAR evaluation for each frequency band, 802.11n VHT80 was verified at the worst case found in 802.11a SAR testing.

WLAN 5GHz 802.11a Average Power (dBm)			Tune up Limit (dBm)
Power vs. Channel			
Channel	Frequency (MHz)	Data Rate 6Mbps	
CH 36	5180	12.79	13
CH 40	5200	15.71	16
CH 44	5220	14.63	15
CH 48	5240	14.69	15
CH 52	5260	12.88	13
CH 56	5280	15.64	16
CH 60	5300	15.83	16
CH 64	5320	12.57	13
CH 100	5500	12.73	13
CH 104	5520	16.44	16.5
CH 108	5540	16.30	16.5
CH 112	5560	15.99	16.5
CH 116	5580	16.14	16.5
CH 120	5600	15.58	16.5
CH 124	5620	15.56	16.5
CH 128	5640	15.66	16.5
CH 132	5660	15.76	16.5
CH 136	5680	15.79	16.5
CH 140	5700	12.47	12.5
CH 144	5720	15.69	16.5
CH 149	5745	16.38	16.5
CH 153	5765	16.30	16.5
CH 157	5785	16.28	16.5
CH 161	5805	16.20	16.5
CH 165	5825	16.24	16.5





WLAN 5GHz 802.11n-HT20 Average Power (dBm)			Tune up Limit (dBm)
Power vs. Channel			
Channel	Frequency (MHz)	MCS Index MCS0	
CH 36	5180	12.75	13
CH 40	5200	15.66	16
CH 44	5220	14.60	15.5
CH 48	5240	14.66	15.5
CH 52	5260	12.76	13
CH 56	5280	15.55	16
CH 60	5300	15.69	16
CH 64	5320	12.46	13
CH 100	5500	12.66	13
CH 104	5520	16.23	16.5
CH 108	5540	16.21	16.5
CH 112	5560	15.88	16.5
CH 116	5580	16.01	16.5
CH 120	5600	15.46	16.5
CH 124	5620	15.51	16.5
CH 128	5640	15.60	16.5
CH 132	5660	15.71	16.5
CH 136	5680	15.66	16.5
CH 140	5700	12.43	12.5
CH 144	5720	15.63	16.5
CH 149	5745	16.25	16.5
CH 153	5765	16.16	16.5
CH 157	5785	16.23	16.5
CH 161	5805	16.14	16.5
CH 165	5825	16.22	16.5



WLAN 5GHz 802.11n-HT40 Average Power (dBm)			Tune up Limit (dBm)
Power vs. Channel			
Channel	Frequency (MHz)	MCS Index MCS0	
CH 38	5190	9.93	10
CH 46	5230	14.54	15.5
CH 54	5270	9.65	10
CH 62	5310	10.77	11
CH 102	5510	10.45	10.5
CH 110	5550	16.12	16.5
CH 126	5630	15.36	15.5
CH 134	5670	15.38	15.5
CH 142	5610	15.61	16.5
CH 151	5755	16.22	16.5
CH 159	5795	16.14	16.5

WLAN 5GHz 802.11ac-VHT20 Average Power (dBm)			Tune up Limit (dBm)
Power vs. Channel			
Channel	Frequency (MHz)	MCS Index MCS0	
CH 36	5180	12.74	13
CH 40	5200	15.63	16
CH 44	5220	14.68	15.5
CH 48	5240	14.60	15.5
CH 52	5260	12.85	13
CH 56	5280	15.51	16
CH 60	5300	15.77	16
CH 64	5320	12.54	13
CH 100	5500	12.70	13
CH 104	5520	16.21	16.5
CH 108	5540	16.26	16.5
CH 112	5560	15.76	16.5
CH 116	5580	15.95	16.5
CH 120	5600	15.42	16.5
CH 124	5620	15.53	16.5
CH 128	5640	15.63	16.5
CH 132	5660	15.75	16.5
CH 136	5680	15.73	16.5
CH 140	5700	12.33	12.5
CH 144	5720	15.66	16.5
CH 149	5745	16.31	16.5
CH 153	5765	16.26	16.5
CH 157	5785	16.22	16.5
CH 161	5805	16.08	16.5
CH 165	5825	16.15	16.5



WLAN 5GHz 802.11ac-VHT40 Average Power (dBm)			Tune up Limit (dBm)
Power vs. Channel			
Channel	Frequency (MHz)	MCS Index MCS0	
CH 38	5190	9.84	10
CH 46	5230	14.60	15.5
CH 54	5270	9.78	10
CH 62	5310	10.86	11
CH 102	5510	10.33	10.5
CH 110	5550	16.17	16.5
CH 126	5630	15.26	15.5
CH 134	5670	15.33	15.5
CH 142	5610	15.56	16.5
CH 151	5755	16.27	16.5
CH 159	5795	16.11	16.5

WLAN 5GHz 802.11ac-VHT80 Average Power (dBm)			Tune up Limit (dBm)
Power vs. Channel			
Channel	Frequency (MHz)	MCS Index MCS0	
CH 42	5210	8.34	8.5
CH 58	5290	10.13	11
CH 106	5530	8.68	9
CH 122	5610	13.88	14
CH 138	5690	13.62	14
CH 155	5775	13.84	14



**<Antenna A+B>**

WLAN 5GHz 802.11n-HT20 Average Power (dBm)			Tune up Limit (dBm)
Power vs. Channel			
Channel	Frequency (MHz)	MCS Index MCS8	
CH 36	5180	13.77	14
CH 40	5200	15.80	16
CH 44	5220	15.21	15.5
CH 48	5240	15.30	15.5
CH 52	5260	13.56	14
CH 56	5280	15.69	16
CH 60	5300	15.61	16
CH 64	5320	14.14	14.5
CH 100	5500	13.88	14
CH 104	5520	16.21	16.5
CH 108	5540	16.11	16.5
CH 112	5560	16.22	16.5
CH 116	5580	16.32	16.5
CH 120	5600	16.16	16.5
CH 124	5620	16.01	16.5
CH 128	5640	15.95	16.5
CH 132	5660	16.21	16.5
CH 136	5680	16.39	16.5
CH 140	5700	13.32	13.5
CH 144	5720	16.01	16.5
CH 149	5745	16.15	16.5
CH 153	5765	16.05	16.5
CH 157	5785	16.03	16.5
CH 161	5805	16.01	16.5
CH 165	5825	16.19	16.5



WLAN 5GHz 802.11n-HT40 Average Power (dBm)			Tune up Limit (dBm)
Power vs. Channel			
Channel	Frequency (MHz)	MCS Index MCS8	
CH 38	5190	10.69	11
CH 46	5230	15.48	15.5
CH 54	5270	10.85	11
CH 62	5310	11.85	12
CH 102	5510	10.89	11
CH 110	5550	16.12	16.5
CH 126	5630	15.96	16.5
CH 134	5670	15.88	16
CH 142	5710	15.95	16.5
CH 151	5755	15.92	16.5
CH 159	5795	15.85	16.5

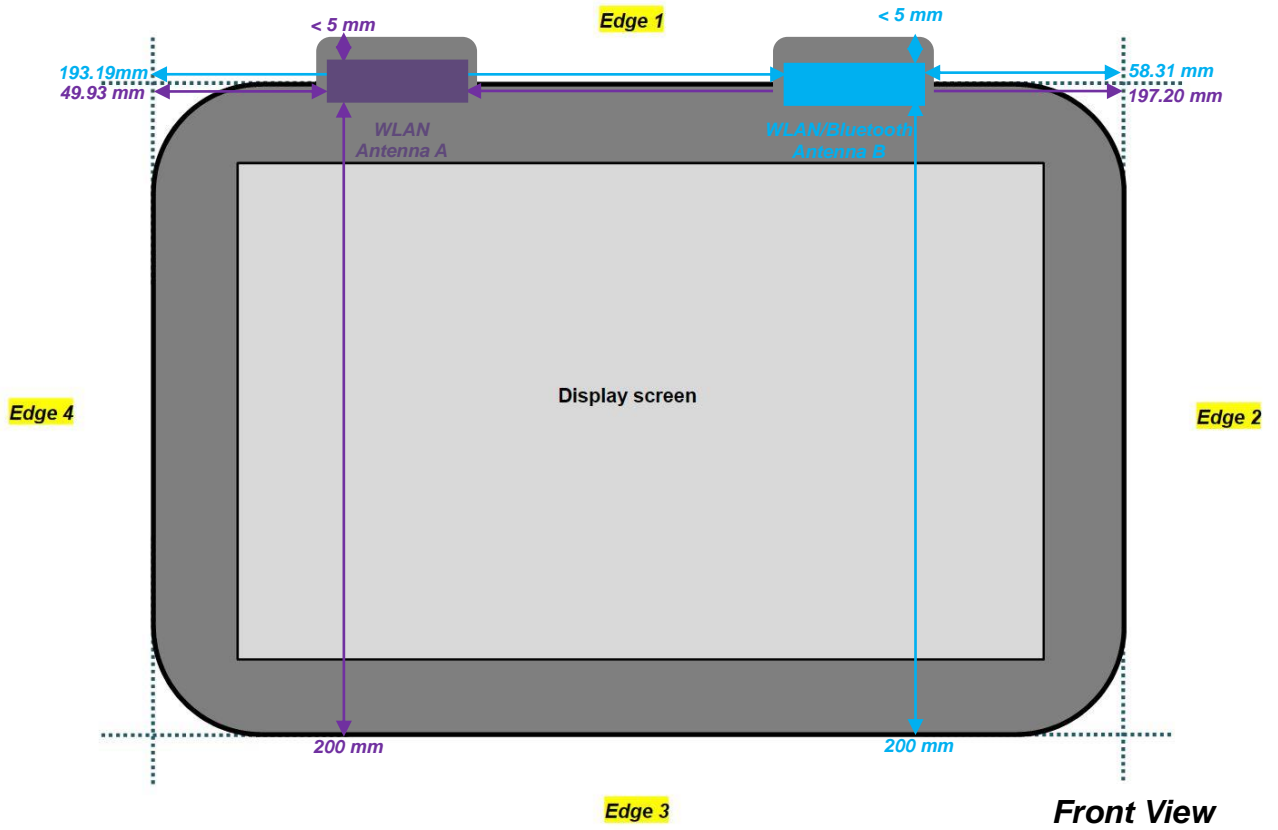
WLAN 5GHz 802.11ac-VHT20 Average Power (dBm)			Tune up Limit (dBm)
Power vs. Channel			
Channel	Frequency (MHz)	MCS Index MCS 10	
CH 36	5180	13.71	14
CH 40	5200	15.71	16
CH 44	5220	15.18	15.5
CH 48	5240	15.26	15.5
CH 52	5260	13.51	14
CH 56	5280	15.65	16
CH 60	5300	15.52	16
CH 64	5320	14.12	14.5
CH 100	5500	13.76	14
CH 104	5520	16.03	16.5
CH 108	5540	16.01	16.5
CH 112	5560	16.10	16.5
CH 116	5580	16.26	16.5
CH 120	5600	16.11	16.5
CH 124	5620	15.96	16.5
CH 128	5640	15.88	16.5
CH 132	5660	16.11	16.5
CH 136	5680	16.22	16.5
CH 140	5700	13.26	13.5
CH 144	5720	15.95	16.5
CH 149	5745	16.11	16.5
CH 153	5765	16.00	16.5
CH 157	5785	15.84	16.5
CH 161	5805	15.96	16.5
CH 165	5825	15.99	16.5



WLAN 5GHz 802.11ac-VHT40 Average Power (dBm)			Tune up Limit (dBm)
Power vs. Channel			
Channel	Frequency (MHz)	MCS Index MCS10	
CH 38	5190	10.73	11
CH 46	5230	15.22	15.5
CH 54	5270	10.96	11
CH 62	5310	11.76	12
CH 102	5510	10.85	11
CH 110	5550	16.08	16.5
CH 126	5630	15.84	16
CH 134	5670	15.81	16
CH 142	5710	15.81	16.5
CH 151	5755	15.85	16.5
CH 159	5795	15.93	16.5

WLAN 5GHz 802.11ac-VHT80 Average Power (dBm)			Tune up Limit (dBm)
Power vs. Channel			
Channel	Frequency (MHz)	MCS Index MCS10	
CH 42	5210	9.42	9.5
CH 58	5290	11.45	11.5
CH 106	5530	9.42	9.5
CH 122	5610	16.10	16.5
CH 138	5690	16.33	16.5
CH 155	5775	16.12	16.5

## 12. Antenna Location





<SAR test exclusion table>

Exposure Position	Wireless Interface	802.11b Ant A	802.11b Ant B	802.11a Ant A	802.11a Ant B
	Calculated Frequency	2462MHz	2462MHz	5825MHz	5825MHz
Maximum power (dBm)	15.5	14	16.5	16.5	
Maximum rated power(mW)	35	25	45	45	
Bottom Face	Test Separation distance(mm)	5	5	5	5
	exclusion threshold	11	8	22	22
	Testing required?	Yes	Yes	Yes	Yes
Edge 1	Test Separation distance(mm)	5.00	5.00	5.00	5.00
	exclusion threshold	11	8	22	22
	Testing required?	Yes	Yes	Yes	Yes
Edge 2	Test Separation distance(mm)	197.20	58.31	197.20	58.31
	exclusion threshold	1568	179	1534	145
	Testing required?	No	No	No	No
Edge 3	Test Separation distance(mm)	200.00	200.00	200.00	200.00
	exclusion threshold	1596	1596	1562	1562
	Testing required?	No	No	No	No
Edge 4	Test Separation distance(mm)	49.93	193.19	49.93	193.19
	exclusion threshold	1	1527	2	1494
	Testing required?	No	No	No	No

Note:

- Above the table, when the distance is < 50 mm exclusion threshold is "Ratio", when the distance is > 50 mm exclusion threshold is "mW"
- Maximum power is the source-based time-average power and represents the maximum RF output power among production units
- Per KDB 447498 D01v05r01, for larger devices, the test separation distance of adjacent edge configuration is determined by the closest separation between the antenna and the user.
- Per KDB 447498 D01v05r01, standalone SAR test exclusion threshold is applied; If the test separation distance is < 5mm, 5mm is used to determine SAR exclusion threshold.
- Per KDB 447498 D01v05r01, the 1-g and 10-g SAR test exclusion thresholds for 100 MHz to 6 GHz at *test separation distances* ≤ 50 mm are determined by:
 
$$[(max. power of channel, including tune-up tolerance, mW)/(min. test separation distance, mm)] \cdot [\sqrt{f(GHz)}] \leq 3.0$$
 for 1-g SAR and ≤ 7.5 for 10-g extremity SAR
  - f(GHz) is the RF channel transmit frequency in GHz
  - Power and distance are rounded to the nearest mW and mm before calculation
  - The result is rounded to one decimal place for comparison
  - For < 50 mm distance, we just calculate mW of the exclusion threshold value (3.0) to do compare. This formula is  $[3.0] / [\sqrt{f(GHz)}] \cdot [(min. test separation distance, mm)] =$  exclusion threshold of mW.
- Per KDB 447498 D01v05r01, at 100 MHz to 6 GHz and for *test separation distances* > 50 mm, the SAR test exclusion threshold is determined according to the following
  - [Threshold at 50 mm in step 1) + (test separation distance - 50 mm)·( f(MHz)/150)] mW, at 100 MHz to 1500 MHz
  - [Threshold at 50 mm in step 1) + (test separation distance - 50 mm)·10] mW at > 1500 MHz and ≤ 6 GHz





### 13. SAR Test Results

**Note:**

1. Per KDB 447498 D01v05r01, the reported SAR is the measured SAR value adjusted for maximum tune-up tolerance.
  - a. Tune-up scaling Factor = tune-up limit power (mW) / EUT RF power (mW), where tune-up limit is the maximum rated power among all production units.
  - b. For WLAN: Reported SAR(W/kg)= Measured SAR(W/kg)\*Tune-up Scaling Factor
2. Per KDB 447498 D01v05r01, for each exposure position, testing of other required channels within the operating mode of a frequency band is not required when the reported 1-g or 10-g SAR for the mid-band or highest output power channel is:
  - ≤ 0.8 W/kg or 2.0 W/kg, for 1-g or 10-g respectively, when the transmission band is ≤ 100 MHz
  - ≤ 0.6 W/kg or 1.5 W/kg, for 1-g or 10-g respectively, when the transmission band is between 100 MHz and 200 MHz
  - ≤ 0.4 W/kg or 1.0 W/kg, for 1-g or 10-g respectively, when the transmission band is ≥ 200 MHz
3. Per KDB 616217 D04v01r01, the additional separation introduced by the contour against a flat phantom is > 5 mm and reported SAR is > 1.2 W/kg, a curved or contoured back surface or edge SAR is required and was selected worse results on each frequency band perform testing, more detail information please refer to the setup photo.
4. For SAR testing of the curved region of the device, the device was placed directly against the phantom at the point where the distance between the antenna and device exterior is a minimum.

#### 13.1 Body SAR

**<WLAN SAR DTS>**

Plot No.	Band	Mode	Test Position	Gap (cm)	Antenna	Ch.	Freq. (MHz)	Average Power (dBm)	Tune-Up Limit (dBm)	Tune-up Scaling Factor	Power Drift (dB)	Measured 1g SAR (W/kg)	Reported 1g SAR (W/kg)
1	WLAN2.4GHz	802.11b 1Mbps	Bottom Face	0cm	Ant A	6	2437	15.34	15.5	1.038	0.12	0.359	0.372
2	WLAN2.4GHz	802.11b 1Mbps	Edge1	0cm	Ant A	6	2437	15.34	15.5	1.038	0.19	0.139	0.144
55	WLAN2.4GHz	802.11b 1Mbps	Curved surface of Edge1	0cm	Ant A	6	2437	15.34	15.5	1.038	0.03	0.891	0.924
56	WLAN2.4GHz	802.11b 1Mbps	Curved surface of Edge1	0cm	Ant A	1	2412	15.26	15.5	1.057	0	0.968	1.023
57	WLAN2.4GHz	802.11b 1Mbps	Curved surface of Edge1	0cm	Ant A	11	2462	15.18	15.5	1.076	-0.03	0.837	0.901
58	WLAN2.4GHz	802.11g 6Mbps	Curved surface of Edge1	0cm	Ant A	6	2437	16.24	16.5	1.062	-0.04	1.120	1.189
61	WLAN2.4GHz	802.11g 6Mbps	Curved surface of Edge1	0cm	Ant A	1	2412	13.47	13.5	1.007	0	0.605	0.609
62	WLAN2.4GHz	802.11g 6Mbps	Curved surface of Edge1	0cm	Ant A	11	2462	13.38	13.5	1.028	-0.14	0.796	0.818
59	WLAN2.4GHz	802.11n-HT20 MCS0	Curved surface of Edge1	0cm	Ant A	6	2437	16.35	16.5	1.035	-0.04	1.050	1.087
63	WLAN2.4GHz	802.11n-HT20 MCS0	Curved surface of Edge1	0cm	Ant A	1	2412	13.47	13.5	1.007	0	0.590	0.594
64	WLAN2.4GHz	802.11n-HT20 MCS0	Curved surface of Edge1	0cm	Ant A	11	2462	13.31	13.5	1.045	0.03	0.771	0.805
60	WLAN2.4GHz	802.11n-HT40 MCS0	Curved surface of Edge1	0cm	Ant A	6	2437	16.35	16.5	1.035	0.01	1.290	1.335
68	WLAN2.4GHz	802.11n-HT40 MCS0	Curved surface of Edge1	0cm	Ant A	6	2437	16.35	16.5	1.035	-0.03	1.180	1.221
65	WLAN2.4GHz	802.11n-HT40 MCS0	Curved surface of Edge1	0cm	Ant A	3	2422	11.93	12	1.016	0	0.443	0.450
66	WLAN2.4GHz	802.11n-HT40 MCS0	Curved surface of Edge1	0cm	Ant A	9	2452	12.83	13	1.040	0	0.651	0.677
69	WLAN2.4GHz	802.11b 1Mbps	Bottom Face	0cm	Ant B	6	2437	13.99	14	1.002	0.03	0.018	0.018
70	WLAN2.4GHz	802.11b 1Mbps	Edge 1	0cm	Ant B	6	2437	13.99	14	1.002	-0.03	0.124	0.124
67	WLAN2.4GHz	802.11b 1Mbps	Curved surface of Edge1	0cm	Ant B	6	2437	13.99	14	1.002	0.16	0.077	0.077
71	WLAN2.4GHz	802.11g 6Mbps	Edge 1	0cm	Ant B	6	2437	15.25	15.5	1.059	-0.05	0.173	0.183
72	WLAN2.4GHz	802.11n-HT20 MCS0	Edge 1	0cm	Ant B	6	2437	15.21	15.5	1.069	0.09	0.184	0.197



Plot No.	Band	Mode	Test Position	Gap (cm)	Antenna	Ch.	Freq. (MHz)	Average Power (dBm)	Tune-Up Limit (dBm)	Tune-up Scaling Factor	Power Drift (dB)	Measured 1g SAR (W/kg)	Reported 1g SAR (W/kg)
113	WLAN5GHz	802.11a 6Mbps	Bottom Face	0cm	Ant A	165	5825	16.47	16.5	1.007	0.16	0.480	0.483
114	WLAN5GHz	802.11a 6Mbps	Edge 1	0cm	Ant A	165	5825	16.47	16.5	1.007	-0.1	0.484	0.487
122	WLAN5GHz	802.11a 6Mbps	Curved surface of Edge1	0cm	Ant A	165	5825	16.47	16.5	1.007	0.1	0.995	1.002
123	WLAN5GHz	802.11a 6Mbps	Curved surface of Edge1	0cm	Ant A	149	5745	16.26	16.5	1.057	0.17	0.668	0.706
124	WLAN5GHz	802.11a 6Mbps	Curved surface of Edge1	0cm	Ant A	157	5785	16.38	16.5	1.028	0.01	0.830	0.853
125	WLAN5GHz	802.11ac-VHT80 MCS0	Curved surface of Edge1	0cm	Ant A	155	5775	13.84	14	1.038	-0.01	0.640	0.664
115	WLAN5GHz	802.11a 6Mbps	Bottom Face	0cm	Ant B	149	5745	16.38	16.5	1.028	-0.18	0.027	0.028
116	WLAN5GHz	802.11a 6Mbps	Edge 1	0cm	Ant B	149	5745	16.38	16.5	1.028	0.09	0.816	0.839
117	WLAN5GHz	802.11a 6Mbps	Edge 1	0cm	Ant B	157	5785	16.28	16.5	1.052	-0.12	0.409	0.430
118	WLAN5GHz	802.11a 6Mbps	Edge 1	0cm	Ant B	165	5825	16.24	16.5	1.062	-0.17	0.243	0.258
126	WLAN5GHz	802.11a 6Mbps	Curved surface of Edge1	0cm	Ant B	149	5745	16.38	16.5	1.028	-0.08	0.105	0.108
127	WLAN5GHz	802.11ac-VHT80 MCS0	Edge 1	0cm	Ant B	155	5775	13.84	14	1.038	0.03	0.429	0.445

<WLAN SAR NII>

Plot No.	Band	Mode	Test Position	Gap (cm)	Antenna	Ch.	Freq. (MHz)	Average Power (dBm)	Tune-Up Limit (dBm)	Tune-up Scaling Factor	Power Drift (dB)	Measured 1g SAR (W/kg)	Reported 1g SAR (W/kg)
81	WLAN5GHz	802.11a 6Mbps	Bottom Face	0cm	Ant A	40	5200	15.81	16	1.045	0.03	0.258	0.270
82	WLAN5GHz	802.11a 6Mbps	Edge 1	0cm	Ant A	40	5200	15.81	16	1.045	0.1	0.447	0.467
84	WLAN5GHz	802.11a 6Mbps	Curved surface of Edge1	0cm	Ant A	40	5200	15.81	16	1.045	-0.09	0.834	0.871
86	WLAN5GHz	802.11a 6Mbps	Curved surface of Edge1	0cm	Ant A	48	5240	14.88	15	1.028	-0.05	0.676	0.695
85	WLAN5GHz	802.11ac-VHT80 MCS0	Curved surface of Edge1	0cm	Ant A	42	5210	8.43	8.5	1.016	0.04	0.173	0.176
75	WLAN5GHz	802.11a 6Mbps	Bottom Face	0cm	Ant B	40	5200	15.71	16	1.069	0.06	0.010	0.011
99	WLAN5GHz	802.11a 6Mbps	Edge 1	0cm	Ant B	40	5200	15.71	16	1.069	-0.02	1.020	1.090
80	WLAN5GHz	802.11a 6Mbps	Edge 1	0cm	Ant B	48	5240	14.69	15	1.074	0.12	0.678	0.728
78	WLAN5GHz	802.11a 6Mbps	Curved surface of Edge1	0cm	Ant B	40	5200	15.71	16	1.069	0.18	0.047	0.050
79	WLAN5GHz	802.11ac-VHT80 MCS0	Edge 1	0cm	Ant B	42	5210	8.34	8.5	1.038	-0.12	0.112	0.116
93	WLAN5GHz	802.11a 6Mbps	Bottom Face	0cm	Ant A	60	5300	15.72	16	1.067	0.03	0.216	0.230
94	WLAN5GHz	802.11a 6Mbps	Edge 1	0cm	Ant A	60	5300	15.72	16	1.067	0.16	0.280	0.299
96	WLAN5GHz	802.11a 6Mbps	Curved surface of Edge1	0cm	Ant A	60	5300	15.72	16	1.067	-0.01	0.560	0.597
97	WLAN5GHz	802.11ac-VHT80 MCS0	Curved surface of Edge1	0cm	Ant A	58	5290	10.42	10.5	1.019	-0.01	0.240	0.244
87	WLAN5GHz	802.11a 6Mbps	Bottom Face	0cm	Ant B	60	5300	15.83	16	1.040	0.1	0.011	0.011
100	WLAN5GHz	802.11a 6Mbps	Edge 1	0cm	Ant B	60	5300	15.83	16	1.040	0.16	0.879	0.914
92	WLAN5GHz	802.11a 6Mbps	Edge 1	0cm	Ant B	56	5280	15.64	16	1.086	0.15	0.818	0.889
90	WLAN5GHz	802.11a 6Mbps	Curved surface of Edge1	0cm	Ant B	60	5300	15.83	16	1.040	-0.04	0.057	0.059
91	WLAN5GHz	802.11ac-VHT80 MCS0	Edge 1	0cm	Ant B	58	5290	10.13	11	1.222	0.11	0.271	0.331



Plot No.	Band	Mode	Test Position	Gap (cm)	Antenna	Ch.	Freq. (MHz)	Average Power (dBm)	Tune-Up Limit (dBm)	Tune-up Scaling Factor	Power Drift (dB)	Measured 1g SAR (W/kg)	Reported 1g SAR (W/kg)
101	WLAN5GHz	802.11a 6Mbps	Bottom Face	0cm	Ant A	104	5520	16.38	16.5	1.028	-0.19	0.220	0.226
102	WLAN5GHz	802.11a 6Mbps	Edge 1	0cm	Ant A	104	5520	16.38	16.5	1.028	0.03	0.279	0.287
105	WLAN5GHz	802.11a 6Mbps	Curved surface of Edge1	0cm	Ant A	104	5520	16.38	16.5	1.028	0.06	1.050	1.079
107	WLAN5GHz	802.11a 6Mbps	Curved surface of Edge1	0cm	Ant A	116	5580	16.07	16.5	1.104	-0.07	1.100	1.214
108	WLAN5GHz	802.11a 6Mbps	Curved surface of Edge1	0cm	Ant A	120	5600	16.05	16.5	1.109	-0.08	0.876	0.972
109	WLAN5GHz	802.11a 6Mbps	Curved surface of Edge1	0cm	Ant A	136	5680	16.23	16.5	1.064	-0.04	0.585	0.623
110	WLAN5GHz	802.11ac-VHT80 MSC0	Curved surface of Edge1	0cm	Ant A	122	5610	13.69	14	1.074	0.01	0.426	0.458
103	WLAN5GHz	802.11a 6Mbps	Bottom Face	0cm	Ant B	104	5520	16.44	16.5	1.014	-0.04	0.021	0.021
104	WLAN5GHz	802.11a 6Mbps	Edge 1	0cm	Ant B	104	5520	16.44	16.5	1.014	-0.01	0.538	0.545
119	WLAN5GHz	802.11a 6Mbps	Edge 1	0cm	Ant B	116	5580	16.14	16.5	1.086	0.02	0.378	0.411
120	WLAN5GHz	802.11a 6Mbps	Edge 1	0cm	Ant B	128	5640	15.66	16.5	1.213	0.16	0.374	0.454
121	WLAN5GHz	802.11a 6Mbps	Edge 1	0cm	Ant B	136	5680	15.79	16.5	1.178	0.16	0.658	0.775
106	WLAN5GHz	802.11a 6Mbps	Curved surface of Edge1	0cm	Ant B	104	5520	16.44	16.5	1.014	0.02	0.088	0.089
112	WLAN5GHz	802.11ac-VHT80 MSC0	Edge 1	0cm	Ant B	122	5610	13.88	14	1.028	-0.06	0.251	0.258

13.2 Repeated SAR Measurement

Plot No.	Band	Mode	Test Position	Gap (cm)	Antenna	Ch.	Freq. (MHz)	Average Power (dBm)	Tune-Up Limit (dBm)	Tune-up Scaling Factor	Power Drift (dB)	Measured 1g SAR (W/kg)	Ratio	Reported 1g SAR (W/kg)
60	WLAN2.4GHz	802.11n-HT40 MCS0	Curved surface of Edge1	0cm	Ant A	6	2437	16.35	16.5	1.035	0.01	1.290	-	1.335
68	WLAN2.4GHz	802.11n-HT40 MCS0	Curved surface of Edge1	0cm	Ant A	6	2437	16.35	16.5	1.035	-0.03	1.180	1.09	1.221
99	WLAN5GHz	802.11a 6Mbps	Edge 1	0cm	Ant B	40	5200	15.71	16	1.069	-0.02	1.020	-	1.090
76	WLAN5GHz	802.11a 6Mbps	Edge 1	0cm	Ant B	40	5200	15.71	16	1.069	0.1	0.977	1.04	1.044
100	WLAN5GHz	802.11a 6Mbps	Edge 1	0cm	Ant B	60	5300	15.83	16	1.040	0.16	0.879	-	0.914
88	WLAN5GHz	802.11a 6Mbps	Edge 1	0cm	Ant B	60	5300	15.83	16	1.040	0.16	0.836	1.05	0.869
107	WLAN5GHz	802.11a 6Mbps	Curved surface of Edge1	0cm	Ant A	116	5580	16.07	16.5	1.104	-0.07	1.100	-	1.214
111	WLAN5GHz	802.11a 6Mbps	Curved surface of Edge1	0cm	Ant A	116	5580	16.05	16.5	1.109	-0.02	1.010	1.09	1.120
122	WLAN5GHz	802.11a 6Mbps	Curved surface of Edge1	0cm	Ant A	165	5825	16.47	16.5	1.007	0.1	0.995	-	1.002
128	WLAN5GHz	802.11a 6Mbps	Curved surface of Edge1	0cm	Ant A	165	5825	16.47	16.5	1.007	-0.07	0.987	1.01	0.994

Note:

- Per KDB 865664 D01v01r02, for each frequency band, repeated SAR measurement is required only when the measured SAR is  $\geq 0.8W/kg$
- Per KDB 865664 D01v01r02, if the ratio among the repeated measurement is  $\leq 1.2$  and the measured SAR  $< 1.45W/kg$ , only one repeated measurement is required.
- The ratio is the largest SAR to the smallest SAR among original and repeated measurement.
- All measurement SAR result is scaled-up to account for tune-up tolerance and is compliant.

### 13.3 Highest SAR Plot

Test Laboratory: Sporton International Inc. SAR/HAC Testing Lab

Date: 2013/12/18

#### #60\_WLAN2.4GHz\_802.11n-HT40 MCS0\_Curved surface of Edge1\_0cm\_Ch6;Ant A

Communication System: 802.11n ; Frequency: 2437 MHz;Duty Cycle: 1:1  
 Medium: MSL\_2450\_131218 Medium parameters used:  $f = 2437$  MHz;  $\sigma = 1.904$  S/m;  $\epsilon_r = 53.196$ ;  $\rho = 1000$  kg/m<sup>3</sup>

Ambient Temperature : 23.2 °C; Liquid Temperature : 22.2 °C

DASY5 Configuration:

- Probe: EX3DV4 - SN3898; ConvF(7.17, 7.17, 7.17); Calibrated: 2013/1/14;
- Sensor-Surface: 2mm (Mechanical Surface Detection)
- Electronics: DAE3 Sn577; Calibrated: 2013/5/8
- Phantom: ELI 4.0\_Front; Type: QDOVA001BB; Serial: 1029
- Measurement SW: DASY52, Version 52.8 (7);SEMCAD X Version 14.6.10 (7164)

**Configuration/Ch6/Area Scan (71x101x1):** Interpolated grid: dx=1.200 mm, dy=1.200 mm  
 Maximum value of SAR (interpolated) = 2.64 W/kg

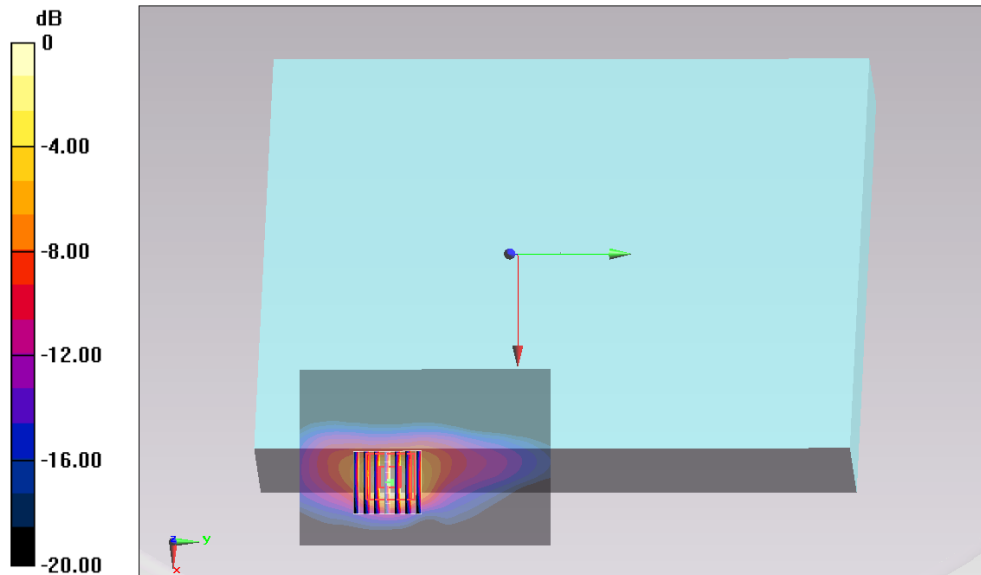
**Configuration/Ch6/Zoom Scan (7x7x7)/Cube 0:** Measurement grid: dx=5mm, dy=5mm, dz=5mm

Reference Value = 32.091 V/m; Power Drift = 0.01 dB

Peak SAR (extrapolated) = 2.72 W/kg

**SAR(1 g) = 1.29 W/kg; SAR(10 g) = 0.550 W/kg**

Maximum value of SAR (measured) = 1.93 W/kg



0 dB = 1.93 W/kg = 2.86 dBW/kg

Test Laboratory: Sporton International Inc. SAR/HAC Testing Lab

Date: 2013/12/22

**#107\_WLAN5GHz\_802.11a 6Mbps\_Curved surface of Edge1\_0cm\_Ch116;Ant A**

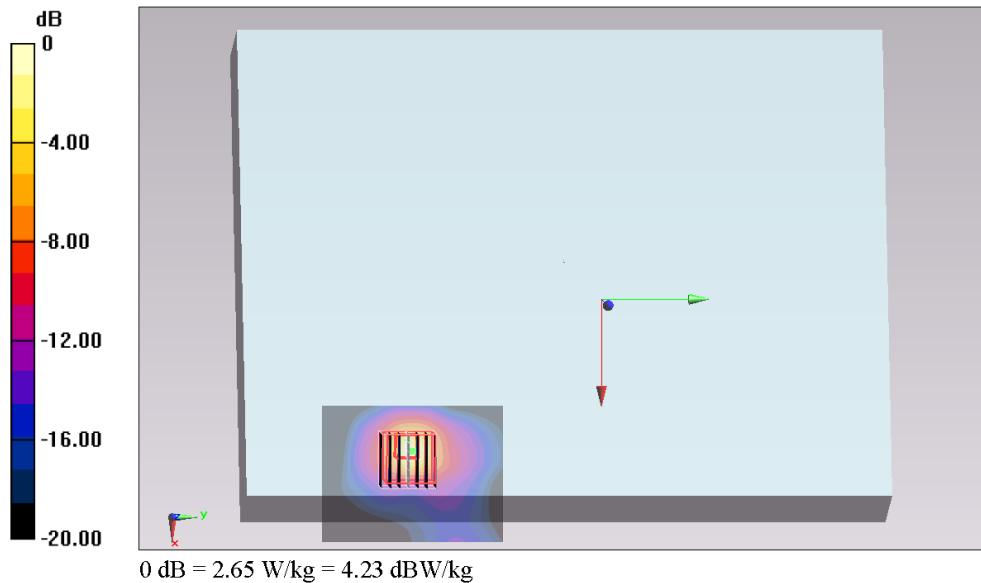
Communication System: 802.11a; Frequency: 5580 MHz; Duty Cycle: 1:1  
 Medium: MSL\_5G\_131222 Medium parameters used:  $f = 5580$  MHz;  $\sigma = 5.598$  S/m;  $\epsilon_r = 46.812$ ;  $\rho = 1000$  kg/m<sup>3</sup>  
 Ambient Temperature : 23.1 °C; Liquid Temperature : 22.1 °C

**DASY5 Configuration:**

- Probe: EX3DV4 - SN3661; ConvF(4.13, 4.13, 4.13); Calibrated: 2013/1/15;
- Sensor-Surface: 1.4mm (Mechanical Surface Detection)
- Electronics: DAE3 Sn577; Calibrated: 2013/5/8
- Phantom: ELI 4.0\_Front; Type: QDOVA001BB; Serial: 1029
- Measurement SW: DASY52, Version 52.8 (7); SEMCAD X Version 14.6.10 (7164)

**Configuration/Ch116/Area Scan (61x81x1):** Interpolated grid: dx=1.000 mm, dy=1.000 mm  
 Maximum value of SAR (interpolated) = 2.31 W/kg

**Configuration/Ch116/Zoom Scan (7x7x7)/Cube 0:** Measurement grid: dx=4mm, dy=4mm, dz=1.4mm  
 Reference Value = 22.798 V/m; Power Drift = -0.07 dB  
 Peak SAR (extrapolated) = 4.54 W/kg  
 SAR(1 g) = 1.1 W/kg; SAR(10 g) = 0.324 W/kg  
 Maximum value of SAR (measured) = 2.65 W/kg



**14. Simultaneous Transmission Analysis**

NO.	Simultaneous Transmission Configurations	Supported
1.	WLAN Antenna A + Bluetooth	Yes
2.	WLAN Antenna A + WLAN Antenna B	Yes

**Note:**

1. EUT will choose either WLAN 2.4GHz or WLAN 5GHz according to the network signal condition; therefore, 2.4GHz WLAN and 5GHz WLAN will not operate simultaneously at any moment.
2. The Scaled SAR summation is calculated based on the same configuration and test position.
3. Per KDB 447498 D01v05r01, simultaneous transmission SAR is compliant if,
  - i) Scalar SAR summation < 1.6W/kg.
  - ii)  $SPLSR = (SAR_1 + SAR_2)^{1.5} / (min. \text{ separation distance, mm})$ , and the peak separation distance is determined from the square root of  $[(x_1-x_2)^2 + (y_1-y_2)^2 + (z_1-z_2)^2]$ , where  $(x_1, y_1, z_1)$  and  $(x_2, y_2, z_2)$  are the coordinates of the extrapolated peak SAR locations in the zoom scan  
If  $SPLSR \leq 0.04$ , simultaneously transmission SAR measurement is not necessary
  - iii) Simultaneously transmission SAR measurement, and the reported multi-band SAR < 1.6W/kg
4. For simultaneous transmission analysis, Bluetooth SAR is estimated per KDB 447498 D01v05r01 based on the formula below.
  - i)  $(max. \text{ power of channel, including tune-up tolerance, mW}) / (min. \text{ test separation distance, mm}) \cdot [\sqrt{f(\text{GHz})} / x] \text{ W/kg}$  for test separation distances  $\leq 50 \text{ mm}$ ; where  $x = 7.5$  for 1-g SAR, and  $x = 18.75$  for 10-g SAR.
  - ii) When the minimum test separation distance is < 5mm, the distance is used 5mm to determine SAR test exclusion.
  - iii) 0.4 W/kg for 1-g SAR and 1.0 W/kg for 10-g SAR, when the test separation distances is > 50 mm.
  - iv) Bluetooth estimated SAR is conservatively determined by 5mm separation, for all applicable exposure positions.

Bluetooth Max Power	Exposure Position	All Positions
6.0 dBm	Estimated SAR (W/kg)	0.168 W/kg



**14.1 Body Exposure Conditions**

**<WLAN Antenna A + WLAN Antenna B>**

Position	WLAN Band	WLAN Ant A		WLAN Ant B		Summed SAR (W/kg)
		Plot No	SAR (W/kg)	Plot No	SAR (W/kg)	
Bottom Face At 0cm	WLAN2.4GHz Band	1	0.372	69	0.018	<b>0.39</b>
	WLAN5.2GHz Band	81	0.27	75	0.011	<b>0.28</b>
	WLAN5.3GHz Band	93	0.23	87	0.011	<b>0.24</b>
	WLAN5.5GHz Band	101	0.226	103	0.021	<b>0.25</b>
	WLAN5.8GHz Band	113	0.483	115	0.028	<b>0.51</b>
Edge1 At 0cm	WLAN2.4GHz Band	2	0.144	72	0.197	<b>0.34</b>
	WLAN5.2GHz Band	82	0.467	99	1.09	<b>1.56</b>
	WLAN5.3GHz Band	94	0.299	100	0.914	<b>1.21</b>
	WLAN5.5GHz Band	102	0.287	121	0.775	<b>1.06</b>
	WLAN5.8GHz Band	114	0.487	116	0.839	<b>1.33</b>
Curved surface of Edge1 At 0cm	WLAN2.4GHz Band	60	1.335	67	0.077	<b>1.41</b>
	WLAN5.2GHz Band	84	0.871	78	0.05	<b>0.92</b>
	WLAN5.3GHz Band	96	0.597	90	0.059	<b>0.66</b>
	WLAN5.5GHz Band	107	1.214	106	0.089	<b>1.30</b>
	WLAN5.8GHz Band	122	1.002	126	0.108	<b>1.11</b>

**<WLAN Antenna A + Bluetooth>**

Position	WLAN Band	WLAN Antenna A		Bluetooth	Summed SAR (W/kg)
		Plot No	SAR (W/kg)	Estimated SAR (W/kg)	
Bottom Face At 0cm	WLAN2.4GHz Band	1	0.372	0.168	<b>0.54</b>
	WLAN5.2GHz Band	81	0.27	0.168	<b>0.44</b>
	WLAN5.3GHz Band	93	0.23	0.168	<b>0.40</b>
	WLAN5.5GHz Band	101	0.226	0.168	<b>0.39</b>
	WLAN5.8GHz Band	113	0.483	0.168	<b>0.65</b>
Edge1 At 0cm	WLAN2.4GHz Band	2	0.144	0.168	<b>0.31</b>
	WLAN5.2GHz Band	82	0.467	0.168	<b>0.64</b>
	WLAN5.3GHz Band	94	0.299	0.168	<b>0.47</b>
	WLAN5.5GHz Band	102	0.287	0.168	<b>0.46</b>
	WLAN5.8GHz Band	114	0.487	0.168	<b>0.66</b>
Edge3 At 0cm	WLAN2.4GHz Band	60	1.335	0.168	<b>1.50</b>
	WLAN5.2GHz Band	84	0.871	0.168	<b>1.04</b>
	WLAN5.3GHz Band	96	0.597	0.168	<b>0.77</b>
	WLAN5.5GHz Band	107	1.214	0.168	<b>1.38</b>
	WLAN5.8GHz Band	122	1.002	0.168	<b>1.17</b>

Test Engineer : San Lin, Jack Wu and Ted Sun

## 15. Uncertainty Assessment

The component of uncertainty may generally be categorized according to the methods used to evaluate them. The evaluation of uncertainty by the statistical analysis of a series of observations is termed a Type A evaluation of uncertainty. The evaluation of uncertainty by means other than the statistical analysis of a series of observations is termed a Type B evaluation of uncertainty. Each component of uncertainty, however evaluated, is represented by an estimated standard deviation, termed standard uncertainty, which is determined by the positive square root of the estimated variance.

A Type A evaluation of standard uncertainty may be based on any valid statistical method for treating data. This includes calculating the standard deviation of the mean of a series of independent observations; using the method of least squares to fit a curve to the data in order to estimate the parameter of the curve and their standard deviations; or carrying out an analysis of variance in order to identify and quantify random effects in certain kinds of measurement.

A type B evaluation of standard uncertainty is typically based on scientific judgment using all of the relevant information available. These may include previous measurement data, experience, and knowledge of the behavior and properties of relevant materials and instruments, manufacture's specification, data provided in calibration reports and uncertainties assigned to reference data taken from handbooks. Broadly speaking, the uncertainty is either obtained from an outdoor source or obtained from an assumed distribution, such as the normal distribution, rectangular or triangular distributions indicated in Table 14.1

Uncertainty Distributions	Normal	Rectangular	Triangular	U-Shape
Multi-plying Factor <sup>(a)</sup>	1/k <sup>(b)</sup>	1/√3	1/√6	1/√2

(a) standard uncertainty is determined as the product of the multiplying factor and the estimated range of variations in the measured quantity

(b)  $\kappa$  is the coverage factor

**Table 15.1. Standard Uncertainty for Assumed Distribution**

The combined standard uncertainty of the measurement result represents the estimated standard deviation of the result. It is obtained by combining the individual standard uncertainties of both Type A and Type B evaluation using the usual "root-sum-squares" (RSS) methods of combining standard deviations by taking the positive square root of the estimated variances.

Expanded uncertainty is a measure of uncertainty that defines an interval about the measurement result within which the measured value is confidently believed to lie. It is obtained by multiplying the combined standard uncertainty by a coverage factor. Typically, the coverage factor ranges from 2 to 3. Using a coverage factor allows the true value of a measured quantity to be specified with a defined probability within the specified uncertainty range. For purpose of this document, a coverage factor two is used, which corresponds to confidence interval of about 95 %. The DASY uncertainty Budget is shown in the following tables.





Error Description	Uncertainty Value (±%)	Probability Distribution	Divisor	Ci (1g)	Ci (10g)	Standard Uncertainty (1g)	Standard Uncertainty (10g)
<b>Measurement System</b>							
Probe Calibration	6.0	Normal	1	1	1	± 6.0 %	± 6.0 %
Axial Isotropy	4.7	Rectangular	√3	0.7	0.7	± 1.9 %	± 1.9 %
Hemispherical Isotropy	9.6	Rectangular	√3	0.7	0.7	± 3.9 %	± 3.9 %
Boundary Effects	1.0	Rectangular	√3	1	1	± 0.6 %	± 0.6 %
Linearity	4.7	Rectangular	√3	1	1	± 2.7 %	± 2.7 %
System Detection Limits	1.0	Rectangular	√3	1	1	± 0.6 %	± 0.6 %
Readout Electronics	0.3	Normal	1	1	1	± 0.3 %	± 0.3 %
Response Time	0.8	Rectangular	√3	1	1	± 0.5 %	± 0.5 %
Integration Time	2.6	Rectangular	√3	1	1	± 1.5 %	± 1.5 %
RF Ambient Noise	3.0	Rectangular	√3	1	1	± 1.7 %	± 1.7 %
RF Ambient Reflections	3.0	Rectangular	√3	1	1	± 1.7 %	± 1.7 %
Probe Positioner	0.4	Rectangular	√3	1	1	± 0.2 %	± 0.2 %
Probe Positioning	2.9	Rectangular	√3	1	1	± 1.7 %	± 1.7 %
Max. SAR Eval.	1.0	Rectangular	√3	1	1	± 0.6 %	± 0.6 %
<b>Test Sample Related</b>							
Device Positioning	2.9	Normal	1	1	1	± 2.9 %	± 2.9 %
Device Holder	3.6	Normal	1	1	1	± 3.6 %	± 3.6 %
Power Drift	5.0	Rectangular	√3	1	1	± 2.9 %	± 2.9 %
<b>Phantom and Setup</b>							
Phantom Uncertainty	4.0	Rectangular	√3	1	1	± 2.3 %	± 2.3 %
Liquid Conductivity (Target)	5.0	Rectangular	√3	0.64	0.43	± 1.8 %	± 1.2 %
Liquid Conductivity (Meas.)	2.5	Normal	1	0.64	0.43	± 1.6 %	± 1.1 %
Liquid Permittivity (Target)	5.0	Rectangular	√3	0.6	0.49	± 1.7 %	± 1.4 %
Liquid Permittivity (Meas.)	2.5	Normal	1	0.6	0.49	± 1.5 %	± 1.2 %
<b>Combined Standard Uncertainty</b>						± 11.0 %	± 10.8 %
<b>Coverage Factor for 95 %</b>						K=2	
<b>Expanded Uncertainty</b>						± 22.0 %	± 21.5 %

Table 15.2. Uncertainty Budget for frequency range 300 MHz to 3 GHz



Error Description	Uncertainty Value (±%)	Probability Distribution	Divisor	Ci (1g)	Ci (10g)	Standard Uncertainty (1g)	Standard Uncertainty (10g)
<b>Measurement System</b>							
Probe Calibration	6.55	Normal	1	1	1	± 6.55 %	± 6.55 %
Axial Isotropy	4.7	Rectangular	√3	0.7	0.7	± 1.9 %	± 1.9 %
Hemispherical Isotropy	9.6	Rectangular	√3	0.7	0.7	± 3.9 %	± 3.9 %
Boundary Effects	2.0	Rectangular	√3	1	1	± 1.2 %	± 1.2 %
Linearity	4.7	Rectangular	√3	1	1	± 2.7 %	± 2.7 %
System Detection Limits	1.0	Rectangular	√3	1	1	± 0.6 %	± 0.6 %
Readout Electronics	0.3	Normal	1	1	1	± 0.3 %	± 0.3 %
Response Time	0.8	Rectangular	√3	1	1	± 0.5 %	± 0.5 %
Integration Time	2.6	Rectangular	√3	1	1	± 1.5 %	± 1.5 %
RF Ambient Noise	3.0	Rectangular	√3	1	1	± 1.7 %	± 1.7 %
RF Ambient Reflections	3.0	Rectangular	√3	1	1	± 1.7 %	± 1.7 %
Probe Positioner	0.8	Rectangular	√3	1	1	± 0.5 %	± 0.5 %
Probe Positioning	9.9	Rectangular	√3	1	1	± 5.7 %	± 5.7 %
Max. SAR Eval.	4.0	Rectangular	√3	1	1	± 2.3 %	± 2.3 %
<b>Test Sample Related</b>							
Device Positioning	2.9	Normal	1	1	1	± 2.9 %	± 2.9 %
Device Holder	3.6	Normal	1	1	1	± 3.6 %	± 3.6 %
Power Drift	5.0	Rectangular	√3	1	1	± 2.9 %	± 2.9 %
<b>Phantom and Setup</b>							
Phantom Uncertainty	4.0	Rectangular	√3	1	1	± 2.3 %	± 2.3 %
Liquid Conductivity (Target)	5.0	Rectangular	√3	0.64	0.43	± 1.8 %	± 1.2 %
Liquid Conductivity (Meas.)	2.5	Normal	1	0.64	0.43	± 1.6 %	± 1.1 %
Liquid Permittivity (Target)	5.0	Rectangular	√3	0.6	0.49	± 1.7 %	± 1.4 %
Liquid Permittivity (Meas.)	2.5	Normal	1	0.6	0.49	± 1.5 %	± 1.2 %
<b>Combined Standard Uncertainty</b>						± 12.8 %	± 12.6 %
<b>Coverage Factor for 95 %</b>						K=2	
<b>Expanded Uncertainty</b>						± 25.6 %	± 25.2 %

Table 15.3. Uncertainty Budget for frequency range 3 GHz to 6 GHz



## **16. References**

- [1] FCC 47 CFR Part 2 "Frequency Allocations and Radio Treaty Matters; General Rules and Regulations"
- [2] ANSI/IEEE Std. C95.1-1992, "IEEE Standard for Safety Levels with Respect to Human Exposure to Radio Frequency Electromagnetic Fields, 3 kHz to 300 GHz", September 1992
- [3] IEEE Std. 1528-2003, "Recommended Practice for Determining the Peak Spatial-Average Specific Absorption Rate (SAR) in the Human Head from Wireless Communications Devices: Measurement Techniques", December 2003
- [4] SPEAG DASY System Handbook
- [5] FCC KDB 248227 D01 v01r02, "SAR Measurement Procedures for 802.11 a/b/g Transmitters", May 2007
- [6] FCC KDB 447498 D01 v05r01, "Mobile and Portable Device RF Exposure Procedures and Equipment Authorization Policies", May 2013
- [7] FCC KDB 616217 D04 v01r01, "SAR Evaluation Considerations for Laptop, Notebook, Netbook and Tablet Computers", May 2013
- [8] FCC KDB 644545 D01 v01r02, "Guidance for IEEE 802.11ac and Pre-ac Device Emission Testing", Apr 2013
- [9] FCC KDB 865664 D01 v01r02, "SAR Measurement Requirements for 100 MHz to 6 GHz", Dec 2013.
- [10] FCC KDB 865664 D01 v01r02, "SAR Measurement Requirements for 100 MHz to 6 GHz", Dec 2013.