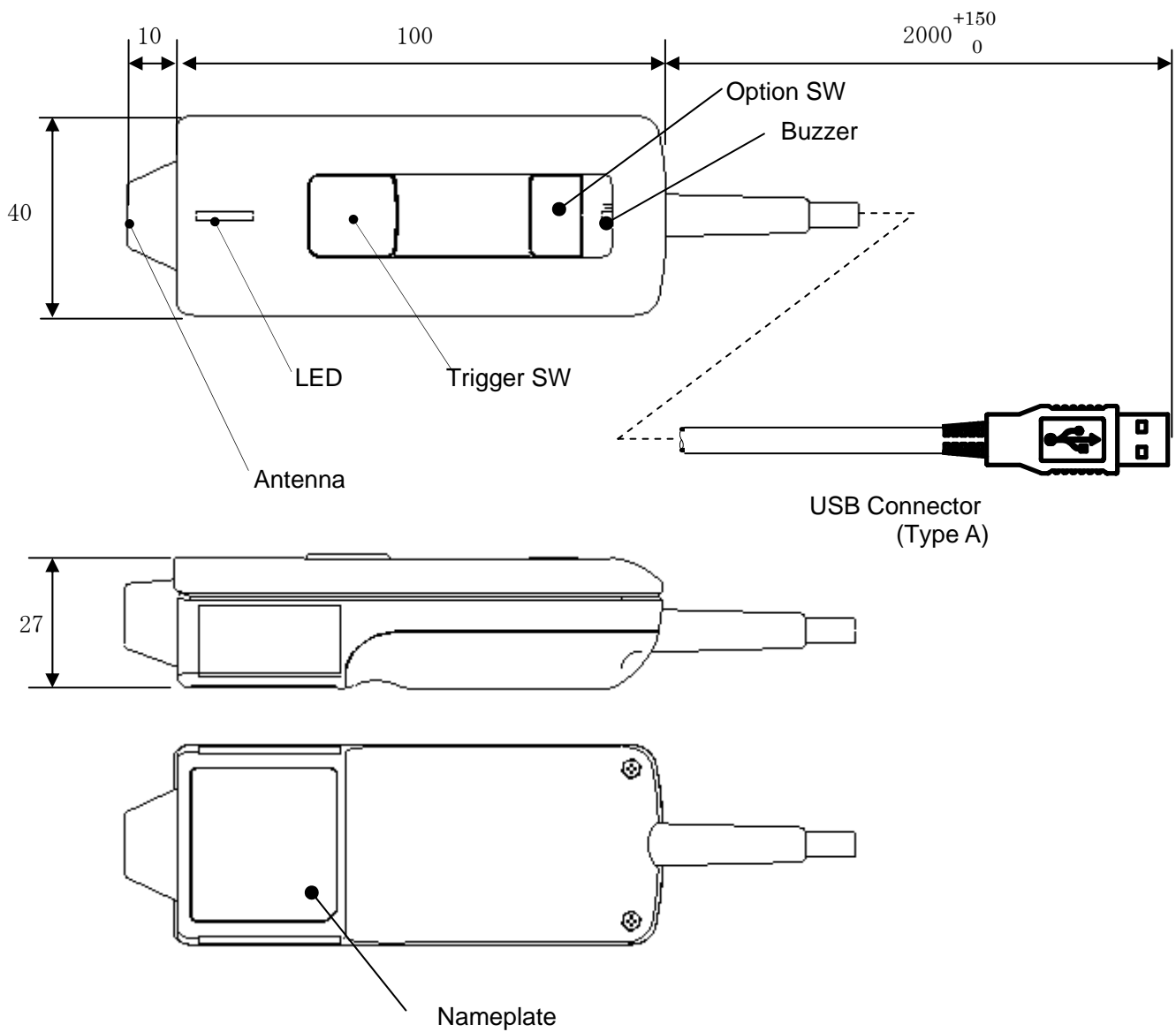


External dimensions

Weight: Approx. 150 g

(Unit: mm [inch])

Standard Tolerance	
Nominal Dimension (L)	Tolerance
$L \leq 18$ [0.71]	± 1.2 [0.047]
$18 < L \leq 30$ [1.18]	± 1.5 [0.059]
$30 < L \leq 50$ [1.97]	± 2.3 [0.091]
$50 < L \leq 80$ [3.15]	± 3.0 [0.118]
$80 < L \leq 120$ [4.73]	± 3.8 [0.150]
$120 < L \leq 180$ [7.09]	± 4.5 [0.177]
$180 < L \leq 250$ [9.85]	± 6.0 [0.236]



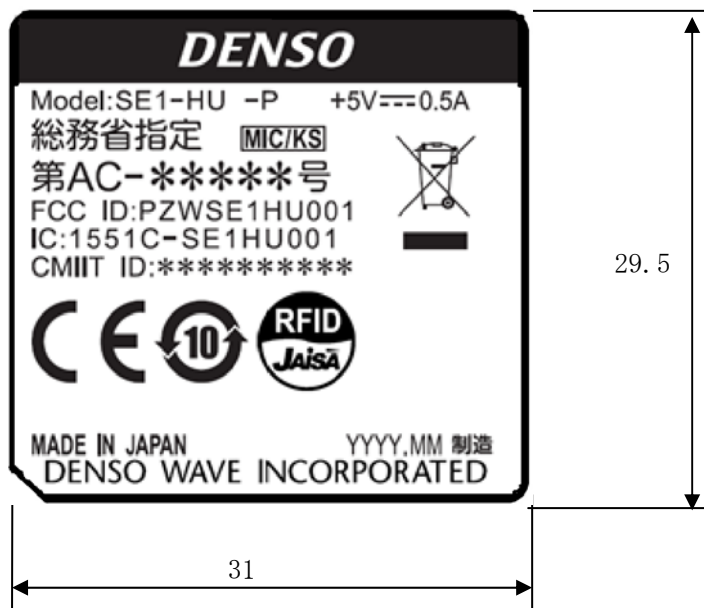
(Note)

Tolerances of dimensions for which tolerances are not indicated conform to the standard tolerance in the table above.

Nameplate

(Unit: mm [inch])

Standard Tolerance	
Nominal Dimension (L)	Tolerance
$L \leq 18$ [0.71]	± 1.2 [0.047]
$18 < L \leq 30$ [1.18]	± 1.5 [0.059]
$30 < L \leq 50$ [1.97]	± 2.3 [0.091]
$50 < L \leq 80$ [3.15]	± 3.0 [0.118]
$80 < L \leq 120$ [4.73]	± 3.8 [0.150]
$120 < L \leq 180$ [7.09]	± 4.5 [0.177]
$180 < L \leq 250$ [9.85]	± 6.0 [0.236]



(Note)

Tolerances of dimensions for which tolerances are not indicated conform to the standard tolerance in the table above.