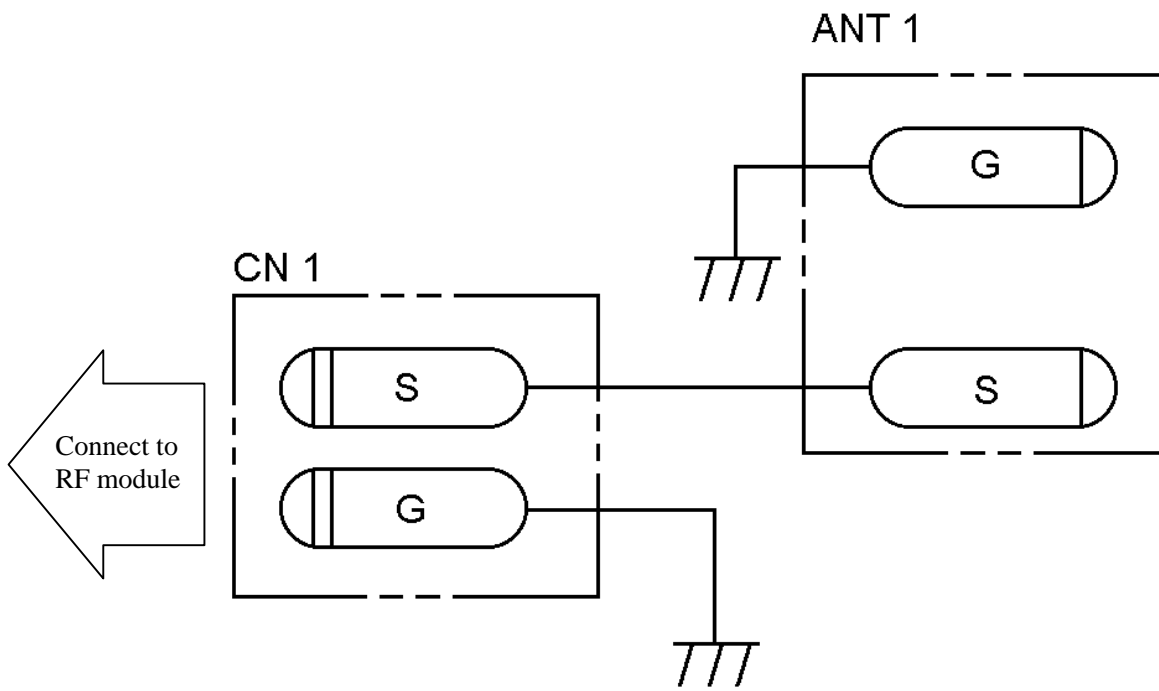


Antenna description

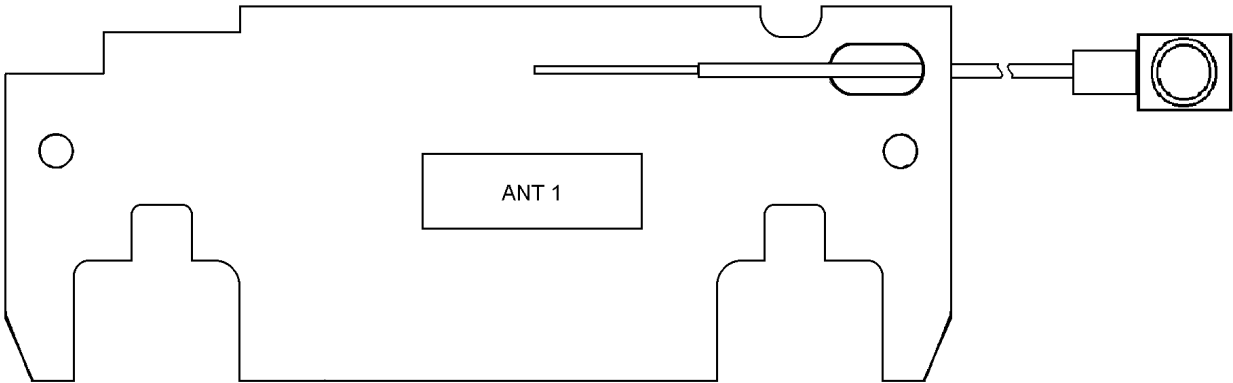
Type of antenna : Type A
 Type B

Technical Description of Antenna (Type A)

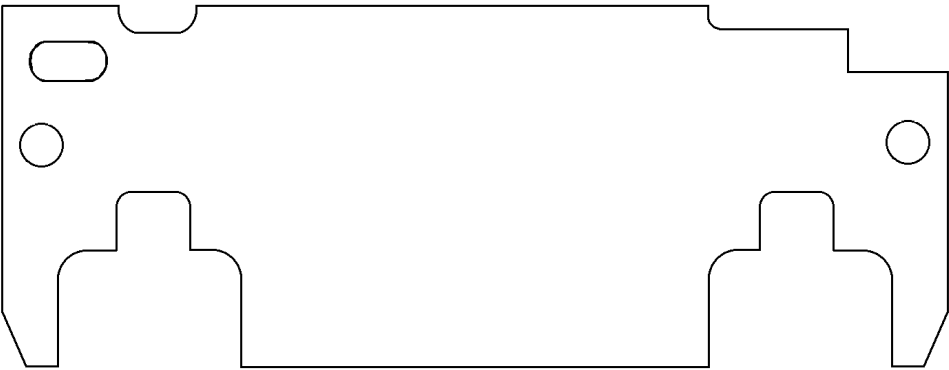
Circuit diagram



Component layout



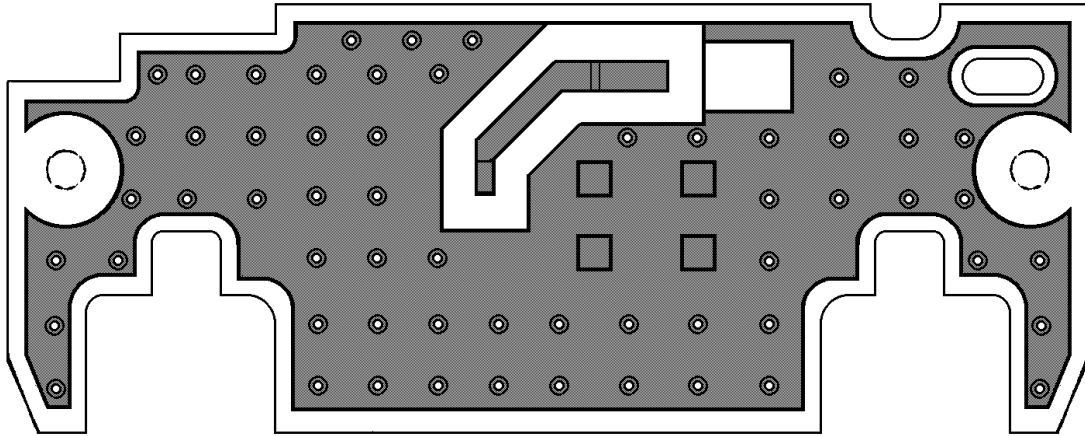
Component side



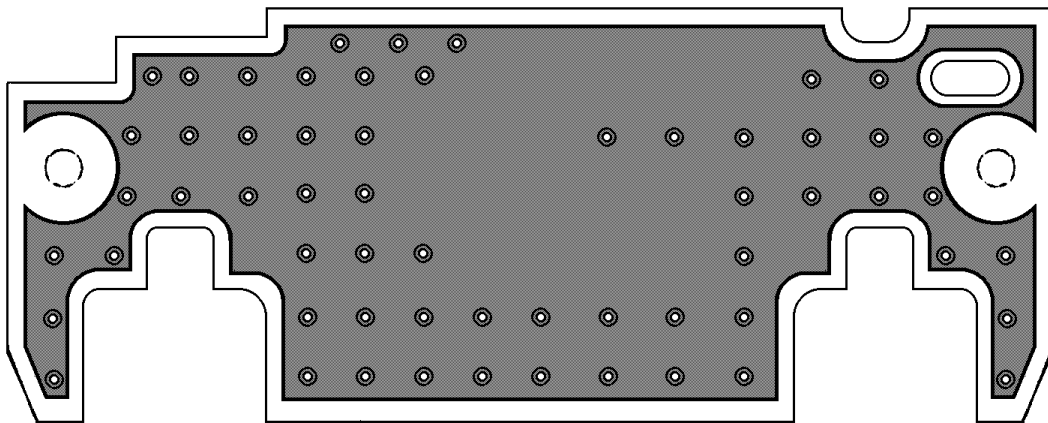
Solder side

Scale : Free

PCB layout



Component side



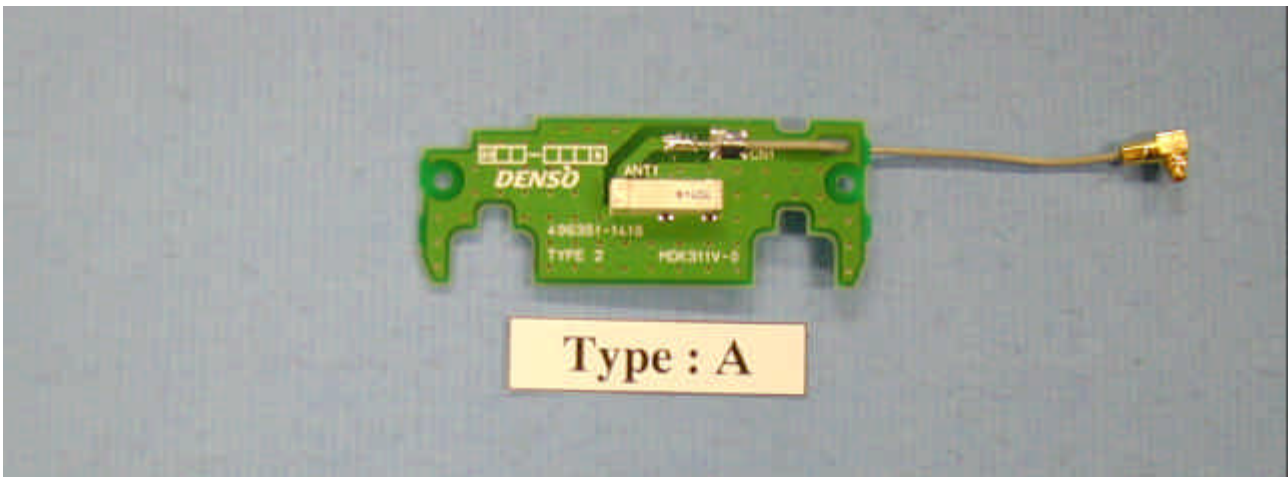
Solder side

Scale : Free

Part list

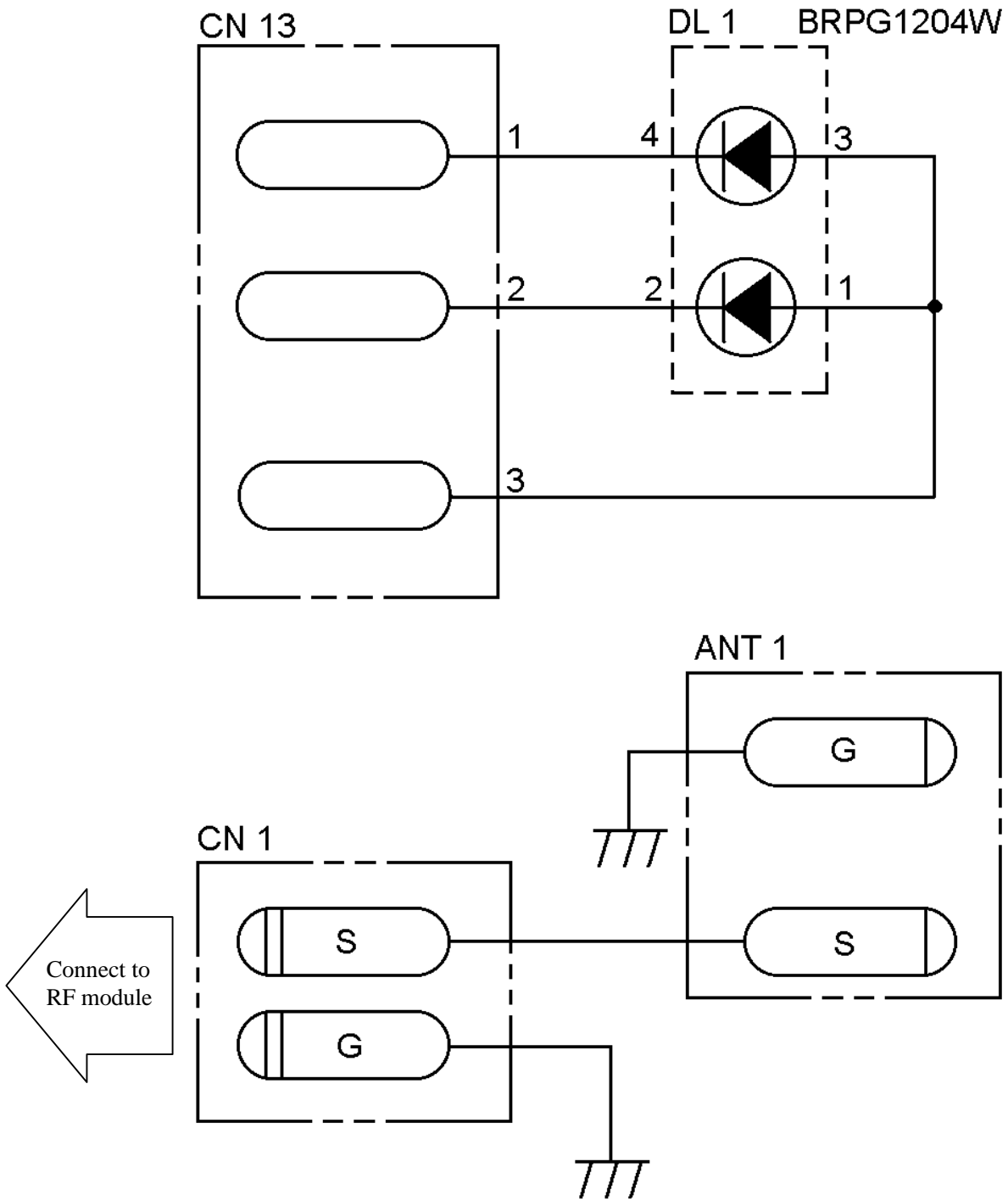
Part No.	Part name	Description
ANT 1	Antenna	Input Impedance : 50 Ω Frequency band : 2400MHz – 2497MHz Gain : -6dBd VSWR : 3.5
C N1	Connector	

Photograph

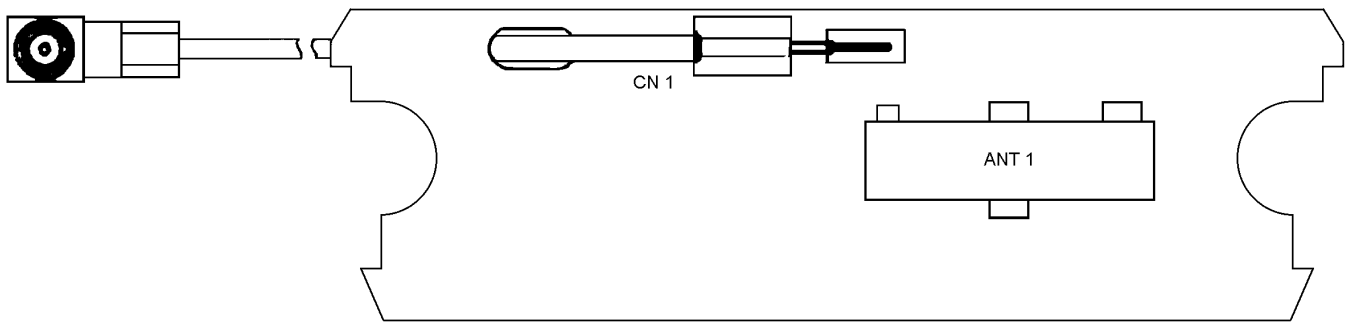


Technical Description of Antenna (Type B)

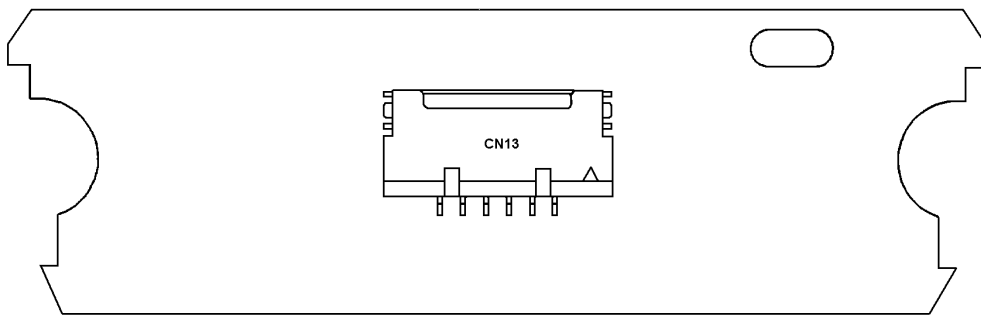
Circuit diagram



Component layout



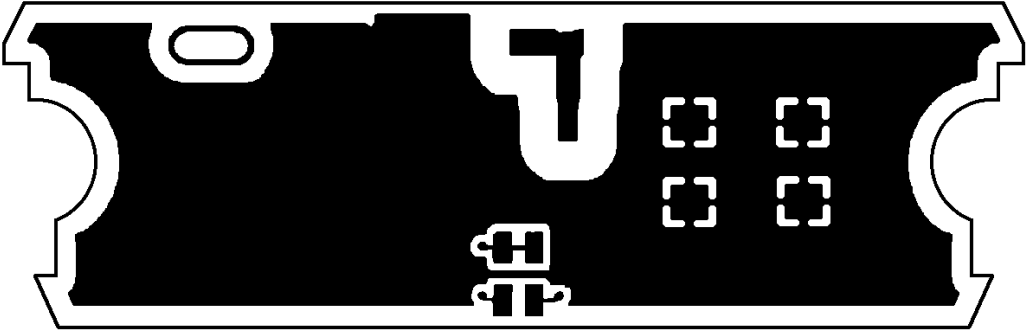
Component side



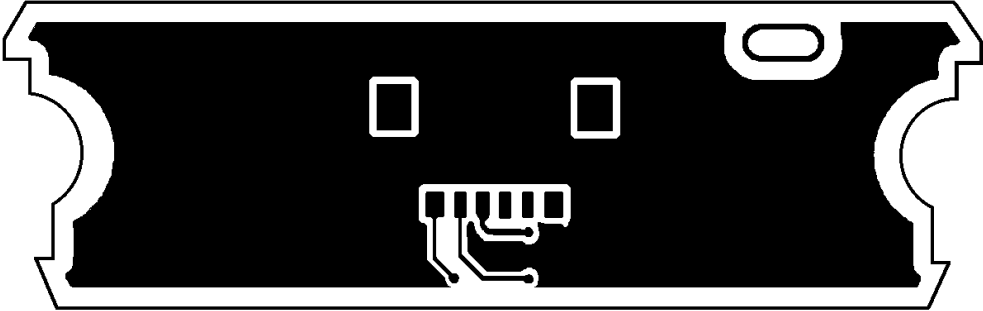
Solder side

Scale : Free

PCB layout



Component side



Solder side

Scale : Free

Parts list

Part No.	Part name	Description
ANT 1	Antenna	Input Impedance : 50 Ω Frequency band : 2400MHz – 2497MHz Gain : -6dBd VSWR : 3.5
C N1	Connector	
DL 1	Diode	BRPG1204W

Photograph

