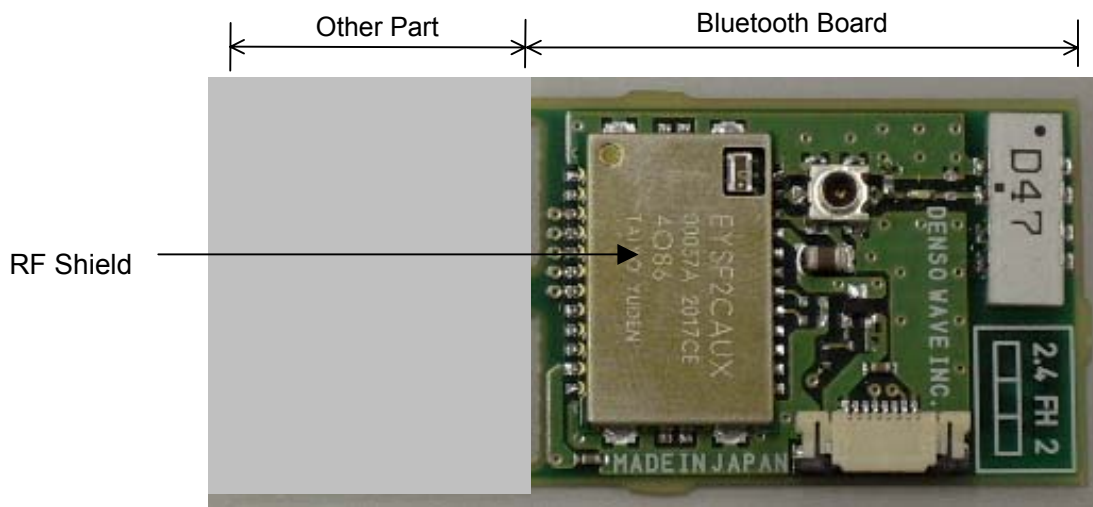
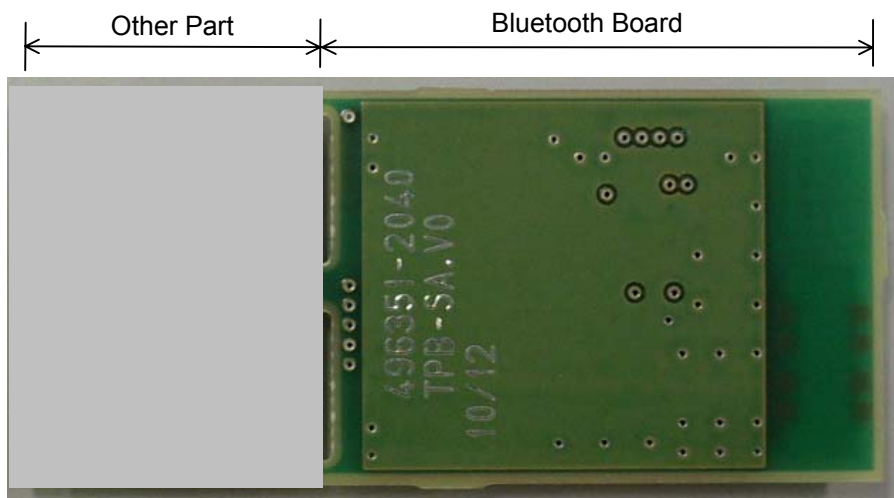


External Photos



Bluetooth Board (Component Side)



Bluetooth Board (Solder Side)

Bluetooth Module IC



Bluetooth Module IC