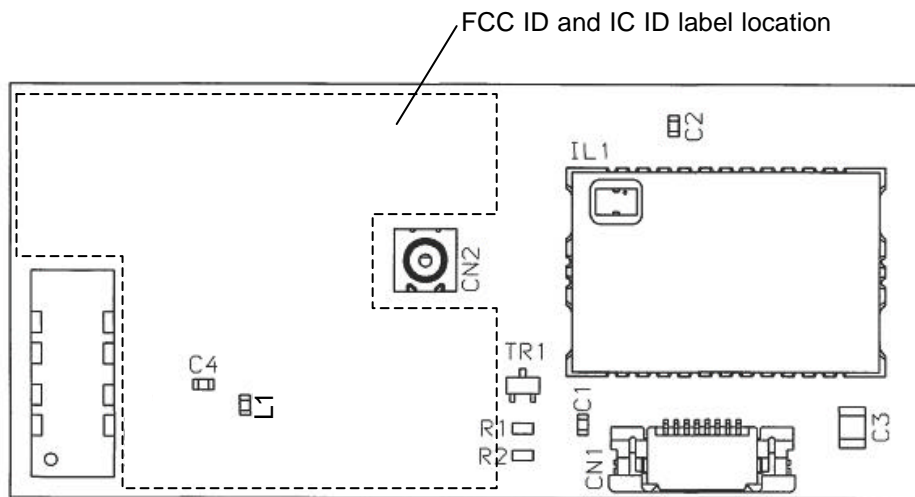
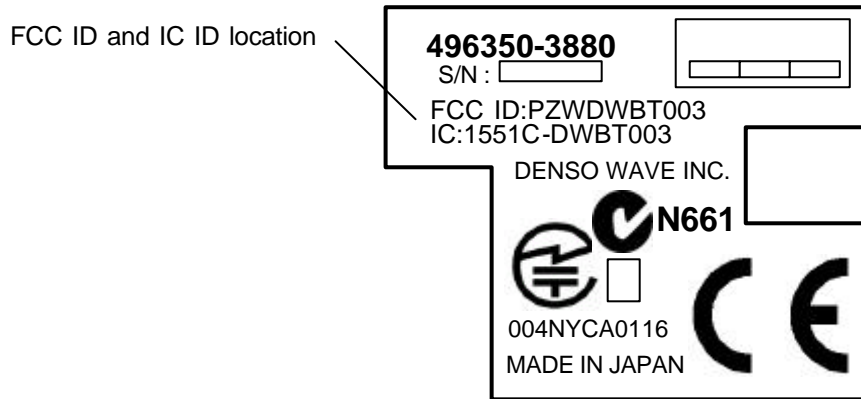


9. Marking Layout and Location

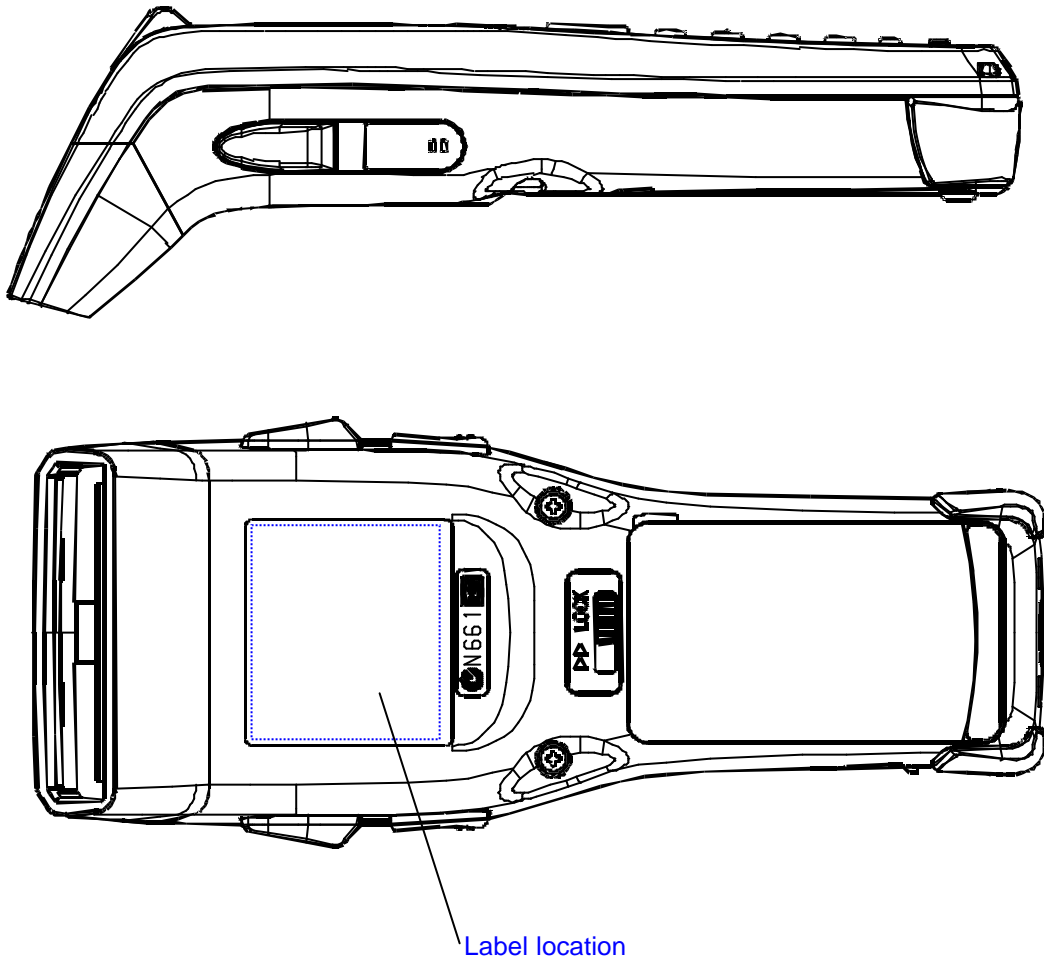
9.1. Marking Location on the Bluetooth Board




9.2. Marking Layout on the Bluetooth Board





9.3. Marking Layout and location of scanner assy



BHT-300BB 8MB +3.7V 550mA
CONTAINS
FCC ID:PZWDWBT003  **Bluetooth®**
IC:1551C-DWBT003

THIS DEVICE COMPLIES WITH PART 15 OF THE FCC RULES. OPERATION IS SUBJECT TO THE FOLLOWING TWO CONDITIONS: (1) THIS DEVICE MAY NOT CAUSE HARMFUL INTERFERENCE, AND (2) THIS DEVICE MUST ACCEPT ANY INTERFERENCE RECEIVED, INCLUDING INTERFERENCE THAT MAY CAUSE UNDESired OPERATION. THIS DEVICE COMPLIES WITH RSS-210. THIS CLASS A DIGITAL APPARATUS COMPLIES WITH CANADIAN ICES-003. CET APPAREIL NUMÉRIQUE DE LA CLASSE A EST CONFORME À LA NORME NMB-003 DU CANADA.

Barcode
 Barcode Data

MADE IN JAPAN
DENSO WAVE INCORPORATED

Fig. Label Layout of Scanner Assy