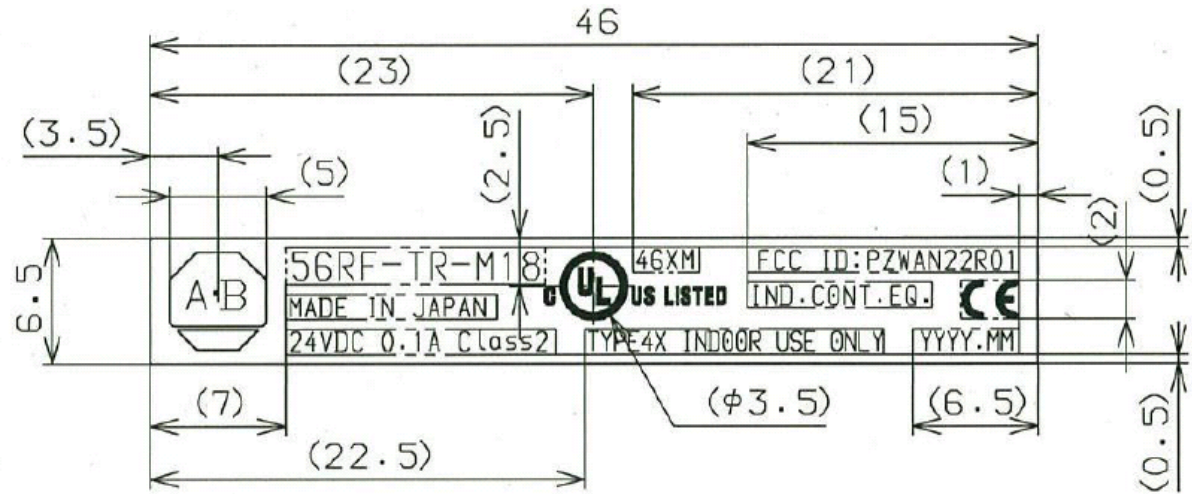


# 56RF-TR-M18 Label



UL file No. MH16454 MEIKO MEIHAN CO LTD.  
 (PGDQ2) type Meiko CR(M) WPETL  
 (PGDQ8) type Meiko CR(M) WPETL-C

This label is stuck on Nickel plated metal.



Logo mark of Allen-Bradley

Manufacture Lot