

### Summer Infant, Inc. Monitor Warranty Policy

Summer Infant, Inc. will repair or replace (at our option) your unit free of charge for 12 months from the date of purchase if the unit is defective in workmanship or materials. To claim your repair/replacement, the product must be returned to Summer Infant along with a copy of the original purchase receipt. In the absence of the purchase receipt, the warranty will be 12 months from the date of manufacture. This warranty does not apply to normal wear or damage from misuse, abuse, improper storage and handling, installation, accident, unauthorized repair or alteration. Please contact our Customer Service Department by phone at 1-800-268-6237 or via e-mail at [www.summerinfant.com/contact](http://www.summerinfant.com/contact) for details.



28530

Please read the following instructions and warnings carefully. Keep this instruction manual for future reference.

Tools required:  
screwdriver (not included)

**For technical support see back page.**

For adult use only.

### **WARNING:**

Adult assembly required.  
Keep small parts away from children when assembling.



## INSTRUCTION MANUAL

### SAFE SIGHT™ DIGITAL COLOR VIDEO MONITOR

### **WARNING:**

**STRANGULATION HAZARD -** Keep cord out of baby's reach. NEVER place camera or cords within 3 feet of the crib. Use enclosed Security Clips to help secure cord away from baby's reach. Never use extension cords with AC Adapters. Only use the AC Adapters provided.



We **LOVE** our consumers!  
Get to know us at:

[www.summerinfant.com](http://www.summerinfant.com)

Summer Infant stands behind all of its products. If you are not completely satisfied or have any questions, please contact our Consumer Relations Team at **1-800-268-6237** or [www.summerinfant.com/contact](http://www.summerinfant.com/contact)

(For Europe call +44 (0)208 420 4429 or [customerserviceuk@summerinfant.com](mailto:customerserviceuk@summerinfant.com))

connect with us:   

**Summer Infant, Inc.**  
1275 Park East Drive  
Woonsocket, RI 02895 USA  
1-800-268-6237

**Summer Infant Europe, Ltd.**  
First Floor North Wing, Focus 31  
Cleveland Road, Hemel Hempstead  
Hertfordshire, HP2 7BW UK  
+44 (0) 144 250 5000

**Summer Infant  
Canadian Office**  
1055 Middlegate Road  
Mississauga, Ontario,  
Canada L4Y3Y4  
905-848-2424

© 2012 Summer Infant, Inc.  
Colors and styles may vary.  
Please retain information  
for future reference.  
**MADE IN CHINA.** 4/12

# **WARNING:**

**THIS PRODUCT CANNOT REPLACE RESPONSIBLE ADULT SUPERVISION.**

- **STRANGULATION HAZARD - Keep cord out of baby's reach. NEVER place camera or cords within 3 feet of the crib. Use enclosed Security Clips to help secure cord away from baby's reach. Never use extension cords with AC Adapters. Only use the AC Adapters provided.**
- **When an AC Adapter is plugged into an electrical outlet, do not touch the exposed end.**
- **Test monitor before first use, periodically, and when changing location of the Camera.**
- **Do not use monitor near water (such as bathtub, sink, etc.).**
- **Keep monitor away from heat sources (such as stoves, radiators, etc.).**
- **Make sure there is proper ventilation around all monitor components. Do not place on sofas, cushions, beds, etc. which may block ventilation.**
- **Nursery monitors use public airwaves to transmit signals. This monitor may pick up signals from other monitors or similar devices and signals broadcast by this monitor may be picked up by other receivers.**
- **This product is not a toy. Do not allow children to play with it.**
- **This product contains small parts. Adult assembly required. Exercise care when unpacking and assembling the product.**

# **BATTERY WARNING:**

- **Use only the original rechargeable batteries provided. Please contact Summer Infant, Inc. for replacement batteries. Contact information can be found on page 12 of these instructions or on the battery itself.**
- **Do not mix old and new batteries.**
- **Do not mix alkaline, standard, or rechargeable batteries.**
- **Batteries are to be inserted with correct polarity.**
- **Clean battery and product contacts prior to battery installation.**

**If you experience a problem that is not noted in this manual, please do not return the product to the store. Our Customer Service Department may have a simple solution to your problem. Please contact us at 1-800-268-6237 or email us at [www.summerinfant.com/contact](http://www.summerinfant.com/contact).**

## **FCC Information**

This device complies with part 15 of the FCC Rules. Operation is subject to the following two conditions: (1) This device may not cause harmful interference, and (2) this device must accept any interference received, including interference that may cause undesired operation.

**CAUTION:** Changes or modifications not expressly approved by Summer Infant may void the users authority to operate this equipment.

**CAUTION:** 1. To comply with FCC RF exposure compliance requirements, a separation distance of at least 20 cm must be maintained between the antenna of this device and all persons. 2. This transmitter must not be co-located or operating in conjunction with any other antenna or transmitter.

This device complies with Industry Canada licence-exempt RSS standard(s). Operation is subject to the following two conditions: (1) this device may not cause interference, and (2) this device must accept any interference, including interference that may cause undesired operation of the device. Under Industry Canada regulations, this radio transmitter may only operate using an antenna of a type and maximum (or lesser) gain approved for the transmitter by Industry Canada. To reduce potential radio interference to other users, the antenna type and its gain should be so chosen that the equivalent isotropically radiated power (e.i.r.p.) is not more than that necessary for successful communication.

## IMPORTANT SAFETY INSTRUCTIONS

- 11) Power Lines- An outside antenna system should not be located in the vicinity of overhead power lines or other electric light or power circuits, or where it can fall into such power lines or circuits as contact with them might be fatal.
- 12) Overloading- Do not overload wall outlets, extension cords, or integral convenience receptacles as this can result in a risk of fire or electric shock.
- 13) Object and Liquid Entry- Never push objects of any kind into this product through openings as they may touch dangerous voltage points or short-out parts that could result in a fire or electric shock. Never spill liquid of any kind on the product.
- 14) Servicing- Do not attempt to service this product yourself as opening or removing covers may expose you to dangerous voltage or other hazards. Refer all servicing to qualified service personnel.
- 15) Damage Requiring Service- Unplug this product from the wall outlet and refer servicing to qualified service personnel under the following conditions:
  - a) When the power-supply cord or plug is damaged,
  - b) If liquid has been spilled, or objects have fallen into the product,
  - c) If the product has been exposed to rain or water,
  - d) If the product does not operate normally by following the operating instructions. Adjusting only those controls that are covered by the operating instructions as an improper adjustment of other controls may result in damage and will often require extensive work by a qualified technician to restore the product to its normal operation,
  - e) If the product has been dropped or damaged in any way, and
  - f) When the product exhibits a distinct change in performance- this indicates a need for service.
- 16) Replacement Parts- When replacement parts are required, be sure the service technician has used replacement parts specified by the manufacturer or have the same characteristics as the original part. Unauthorized substitutions may result in fire, electric shock, or other hazards.
- 17) Safety Check- Upon completion of any service or repairs to the product, ask the service technician to perform safety checks to determine that the product is in proper operating condition.
- 18) Wall or Ceiling Mounting- The product should be mounted to a wall or ceiling only as recommended by the manufacturer.
- 19) Heat- The product should be situated away from heat sources such as radiators, heat registers, stoves, or other products (including amplifiers) that produce heat.

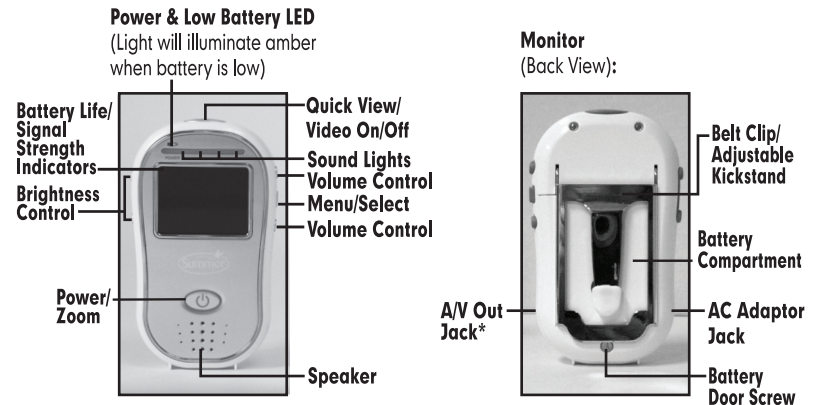
## BATTERY WARNING:

(continued)

- Do not short-circuit supply terminals.
- Only the recommended batteries or equivalent are to be used, volts and size.
- Remove batteries when product is stored for long periods of time or when batteries are exhausted.
- Dispose of exhausted batteries properly.
- Do not recharge non-rechargeable batteries.
- Rechargeable batteries are only to be charged under adult supervision.
- Keep all batteries away from children.

## FEATURES & COMPONENTS (for monitor):

### MONITOR:



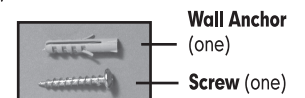
### CAMERA:



### AC Adapter (2)



### Security Clips (six)



\* AV Cable sold separately (#28200), please contact our Customer Service Department by phone at 1-800-268-6237 for details.

## SET UP & USE:

### CAMERA

# ! WARNING:

**STRANGULATION HAZARD** - Keep cord out of baby's reach. NEVER place camera or cords within 3 feet of the crib. Use enclosed Security Clips to help secure cord away from baby's reach. Never use extension cords with AC Adapters. Only use the AC Adapters provided.

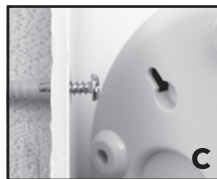
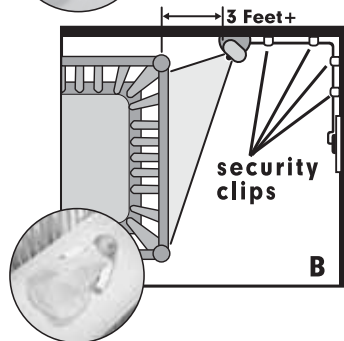
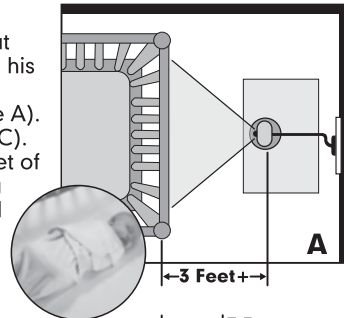
#### Table Top or Wall Mounting:

Determine a location for the CAMERA that will provide the best view of your baby in your crib. Place the CAMERA on a flat surface, such as a dresser, bureau, or shelf (Figure A). Or mount the CAMERA on a wall (Figure C). NEVER place camera or cords within 3 feet of the crib. Secure the cord to the wall using the 6 Security Clips included to keep cord away from baby's reach.

**Be sure to test reception and CAMERA positioning before mounting to a wall (see "Testing Your Initial Set Up" section).**

#### To Wall Mount:

- Pre-drill a hole in the wall (3/16", 4.8mm, drill bit) (Figure C).
- Insert the wall anchor (included) into the hole and with a hammer, tap gently on the end until the wall anchor is flush with the wall.
- Insert the screw (included) into the wall anchor and tighten screw until only 1/4" (6.2mm) of the screw is exposed.
- Insert smaller AC Adapter into the CAMERA's AC Adapter Jack.
- Slide the back of the CAMERA down onto the screw until the CAMERA is secure to the wall.
- Plug the AC Adapter into a standard electrical outlet.
- Secure the cord to the wall using the **6 Security Clips** included to keep cord away from baby's reach (Figures B & D).
- Slide switch on side of Camera to ON and the POWER ON LED will illuminate solid green.



### MONITOR

#### To Use in Video and Audio Mode:

##### Step 1:

Place the Monitor in the room from which you want to monitor your baby (ie. bedroom or living room). Plug an AC Adapter into the AC Adapter Jack and the other end into a standard electrical outlet.



## IMPORTANT SAFETY INSTRUCTIONS

- 1) Read Instructions- All the safety and operating instructions should be read before the product is operated.
- 2) Retain Instructions- The safety and operating instructions should be retained for future reference.
- 3) Heed Warnings- All warnings on the product and in the operating instructions should be adhered to.
- 4) Follow Instructions- All operating and use instructions should be followed.
- 5) Cleaning- Unplug this product from the wall outlet before cleaning. Do not use liquid cleaners or aerosol cleaners. Use a damp cloth for cleaning.
- 6) Attachments- Do not use attachments not recommended by the product manufacturer as they may cause hazards.
- 7) Water and Moisture- Do not use this product near water- for example, near a bath tub, wash bowl, kitchen sink, or laundry tub; in a wet basement; or near a swimming pool; and the like.
- 8) Accessories- Do not place this product on an unstable cart, stand, tripod, bracket, or table. The product may fall, causing serious injury to a child or adult, and serious damage to the product. Use only with a cart, stand, tripod, bracket, or table recommended by the manufacturer, or sold with the product. Any mounting of the product should follow the manufacturer's instructions, and should use a mounting accessory recommended by the manufacturer.
- 9) Power Sources- This product should be operated only from the type of power source indicated on the marking label. If you are not sure of the type of power supply to your home, consult your product dealer or local power company. For products intended to operate from battery power, or other sources, refer to the operating instructions.
- 10) Power-Cord Protection- Power supply cords should be routed so that they are not likely to be walked on or pinched by items placed upon or against them, paying particular attention to cords at plugs, convenience receptacles, and the point where they exit from the product.

This device complies with Industry Canada licence-exempt RSS standard(s). Operation is subject to the following two conditions:

- (1) this device may not cause interference, and
- (2) this device must accept any interference, including interference that may cause undesired operation of the device. Under Industry Canada regulations, this radio transmitter may only operate using an antenna of a type and maximum (or lesser) gain approved for the transmitter by Industry Canada. To reduce potential radio interference to other users, the antenna type and its gain should be so chosen that the equivalent isotropically radiated power (e.i.r.p.) is not more than that necessary for successful communication.



---

## PROBLEM SOLVING:

---

### No picture or sound on Monitor

- Make sure the Monitor is turned on
- Make sure the AC Adapters are plugged in
- Make sure the outlets are working
- Make sure Monitor and Camera are SYNCHED up. (refer to “Synching MONITOR and CAMERA” section on page 7)

### Sound but no picture on Monitor

- Press the Quick View/Video On/Off Button once to turn on video mode
- Try adjusting the Brightness Control on the Monitor
- Test reception by moving the Monitor and/or CAMERA to different locations

### Picture but no sound

- Turn up the volume on the Monitor using the Volume Control

### Picture not clear

- Position the Monitor closer to the CAMERA if necessary
- Move Monitor away from other monitors, cordless phones, walkie-talkies, etc.
- Try adjusting the Brightness Control on the Monitor
- Test reception by moving the Monitor and/or CAMERA to different locations

### Squealing sound

- Move the CAMERA and the Monitor further away from each other


---

## SET UP & USE (continued):

---

**Step 2:** Press and hold down “POWER /ZOOM” button to turn on until video or Summer logo appears on screen.

**Step 3:** For audio and no video, press the VIDEO ON/OFF button on top of the unit.

**Step 4:** To turn the monitor off completely, press and hold the “POWER /ZOOM” button for 3 seconds.

---

## ADDING ADDITIONAL CAMERA:

---

**Note:** This product can accept up to four cameras. To order an additional camera (#28540), please contact our Customer Service Department by phone at 1-800-268-6237 or via e-mail at [www.summerinfant.com/contact](http://www.summerinfant.com/contact) for details. (For Europe Call +44 (0)208 420 4429 or [customerserviceuk@summerinfant.com](mailto:customerserviceuk@summerinfant.com))

Please Note: The SCAN, DEL CAM, ADD CAM and VIEW CAM menu options are only used with additional cameras.

### Testing Your Initial Setup:

Be sure to test your Monitor’s reception before initial use. We also recommend testing your Monitor’s reception periodically. Please keep in mind that the Secure Sight™ Digital Color Video Monitor will not provide the same level of picture quality as your television with cable, satellite dish, or digital service.

To test reception you will need two adults. One adult should view the picture on the Monitor while the other is in the nursery to adjust the Camera. Often the quality of the reception can be improved by slightly repositioning the Camera, Monitor, or both. It may help to place a stuffed animal or doll in the crib to simulate the position and size of your baby. Adjust the picture quality on the Monitor as needed by using the Brightness Adjustment on the side of the Monitor.

To test sound quality, have one adult speak in both a normal tone and a whisper near the crib. Adjust volume on the Monitor’s Volume Adjustment as needed.

### To Use the Video Monitor in Portable Mode:

For use in portable mode, the Monitor requires 1 3.7V LITHIUM-ION rechargeable battery (included).

### Tips:

- Before using Monitor in portable mode (battery), be sure to charge battery 12-16 hours.

---

## SET UP & USE (continued):

---

- To charge battery, plug the Monitor Adapter into the Monitor's AC Adapter Jack. Plug the other end into a standard electrical outlet.
- After initial 12-16 hour charge, to achieve optimal battery life, charge battery overnight and unplug all day during use.
- **Note:** Only charge battery when the Battery Life Indicator is low. Constant recharging of your battery before low battery indicator light comes on will decrease the life of your batteries.
- When battery is low, the Power On LED will also illuminate amber, indicating that the battery needs to be recharged.
- To conserve battery power, use AC Adapter whenever possible. Remove battery during long periods of non-use.
- If battery is exhausted, remove immediately from the Monitor.
- Properly dispose of exhausted battery.

### Battery Installation:

**Note:** This step is only needed if replacing battery.

1. Locate the battery compartment door on back of monitor.
2. Remove battery door screw with flat head screwdriver.
3. Remove battery door and battery.
4. Insert new battery and replace battery door (Figure E).



### Footrest:

The Monitor has a built-in footrest for tabletop convenience. Simply flip out footrest and place the Monitor on a stable, level surface (Figure G).



### Syncing Monitor and CAMERA:

The Monitor and Camera are synced at the factory for privacy reasons. If the Monitor and Camera are not syncing with each other for any reason, please sync them as described below.

**Step 1:** Move the Monitor to the same area as the Camera. With both the Camera and Monitor on, press the "MENU/SELECT" button once to call up the Camera menu. Using up and down arrows on side of monitor, scroll to "ADD CAM" and press "MENU/SELECT."

---

## SET UP & USE (continued):

---

**Step 2:** Press the "CODE" button once on the back of the camera and the Power LED will start flashing green for about 8 seconds.

**Step 3:** The Power LED will stop flashing and you will see a picture from the Camera on the Monitor when fully synced.

**Step 4:** If this is unsuccessful, you should repeat steps above making sure the Camera and Monitor are close enough to each other for syncing.

---

## TIPS FOR IMPROVING RECEPTION:

---

- Position the Monitor closer to the CAMERA if necessary.
- Move Monitor away from other monitors, cordless phones, walkie-talkies, etc.; moving even slightly could greatly improve reception.
- If you hear a feedback or squealing noise, move the CAMERA and the Monitor further away from each other.

---

## SPECIAL FEATURES:

---

- **Video Sleep Mode:** While operating on battery power, the video screen will go to sleep, to conserve battery power. Audio and sound lights will function normally. Press the Video On/Off to resume viewing. This option is NOT available when using AC adapter.
- **Sound Lights:** The 4 Sound Lights will illuminate on the Monitor depending on the level of your baby's sounds. For example, if your child is just cooing, only one or two lights will illuminate. If your baby is crying, several will illuminate, depending on how loud she is crying. This feature is particularly helpful if you are in a noisy room.
- **Quick View/Video On/Off Button:** This button turns the video mode on. If you only want to hear your baby, press the Quick View/Video On/Off Button again to shut off the video. The Quick View/Video On/Off Button is ideal for easily turning on the video option in the middle of the night.
- **Night Vision:** In a darkened room, the Monitor will automatically use its infrared LED's to transmit a clear image of baby, so you can see your child at night!
- **Multi-Position Camera/Microphone:** The Camera/Microphone should be positioned so it is facing baby as much as possible. This multi-position feature is unique to Summer Infant nursery monitors. It allows the microphone to focus on baby's voice while filtering out other household noises.
- **Digital Zoom:** Tap "POWER/Zoom" button once for 1x digital zoom. Tap again to return to full screen view.