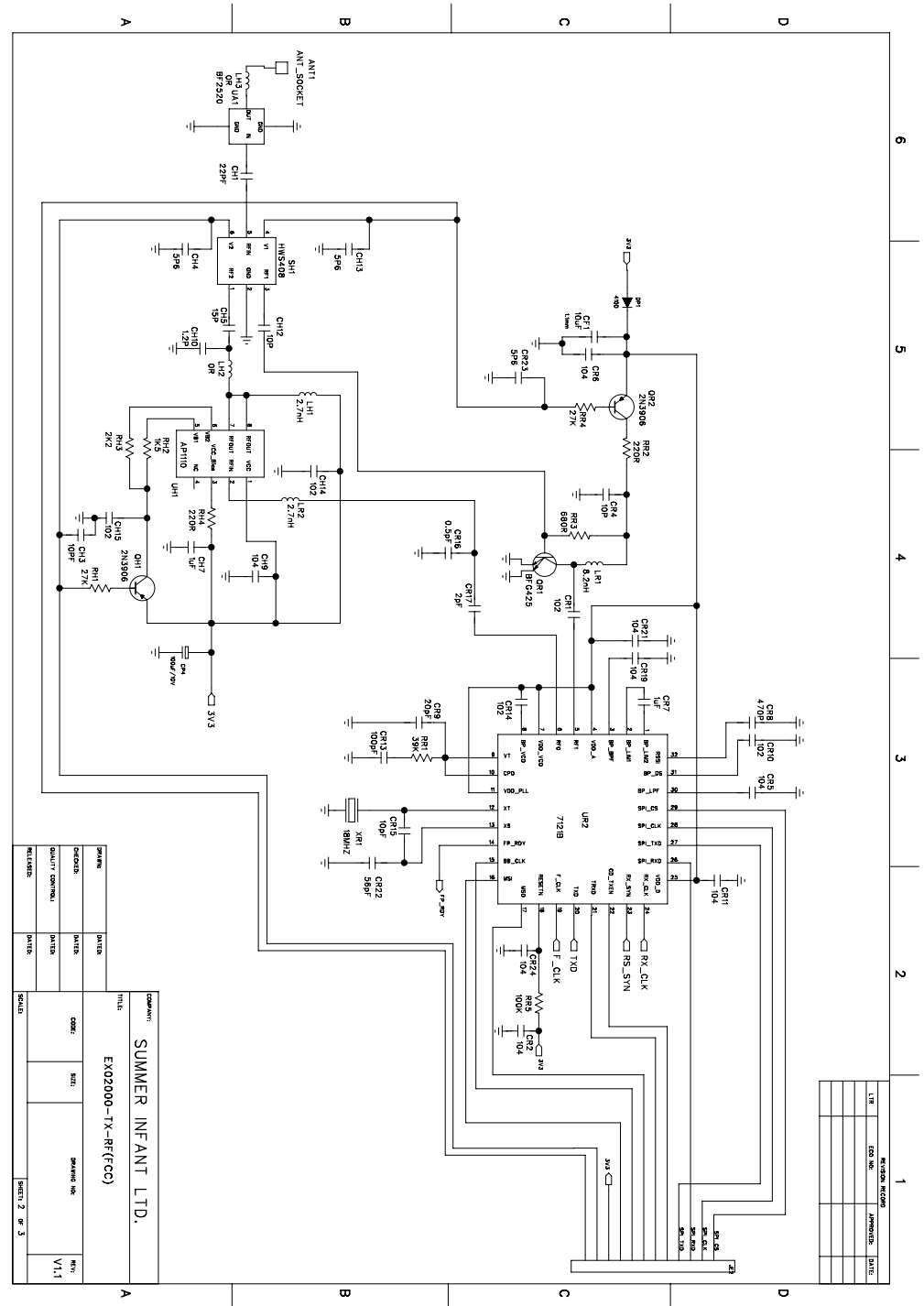


COMPANY:		SUMMER INFANT LTD.	
TITLE:		EX02000-TX-MCU(fcc)	
DATE:	DATE:	DATE:	DATE:
DESIGNER:	DATE:	CODE:	DATE:
QUALITY CONTROL:	DATE:	DRAWING NO.:	REV.:
RELEASED:	DATE:	DATE:	11
		SHEET:	1 OF 1

REVISION RECORD			
LTN	ISS. NO.	APPROVED:	DATE:

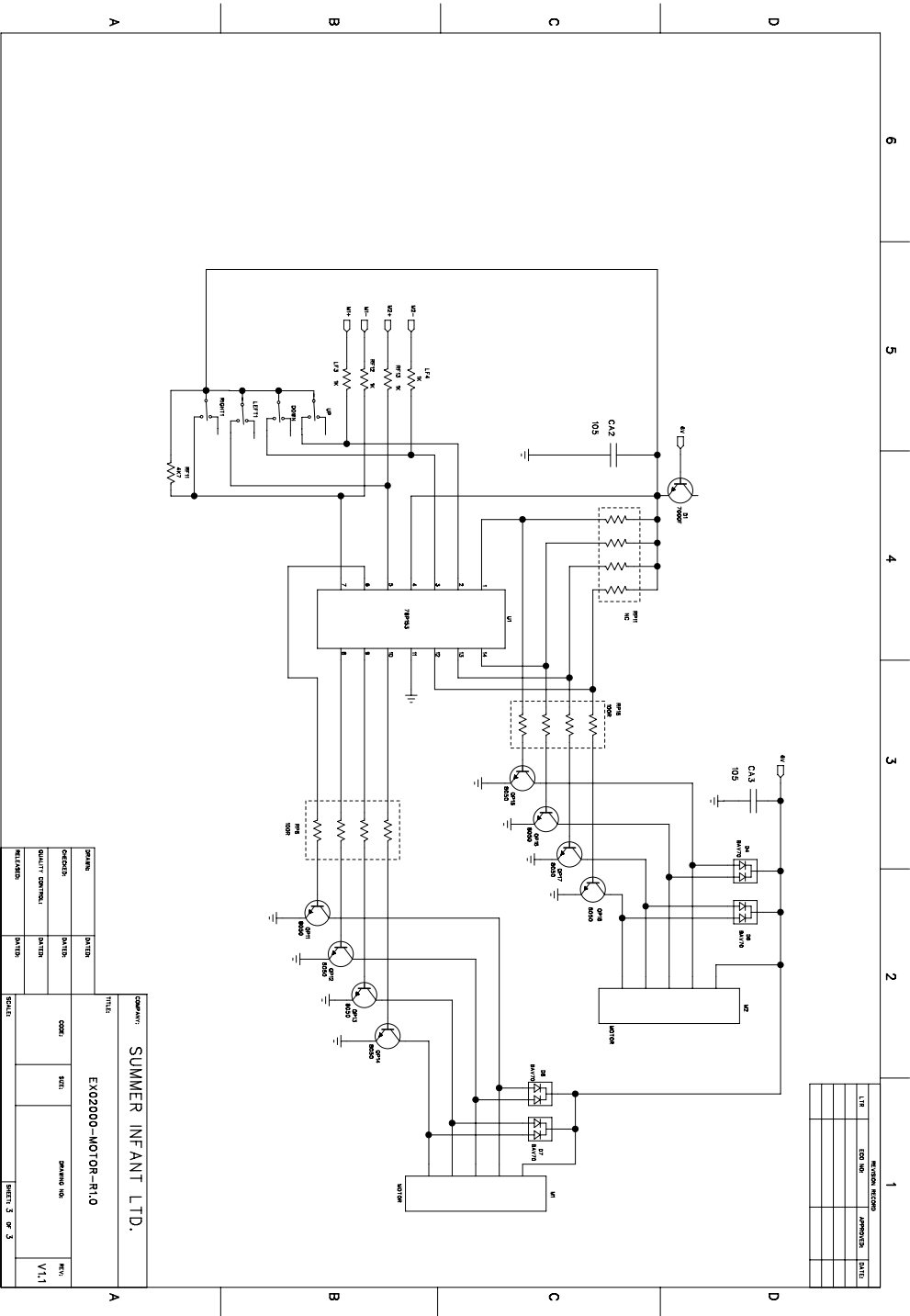


COMPANY: SUMMER INFANT LTD.				
TITLE: EXO2000-TX-RF(CC)				
DATE	DATE	CODE	DATE	REV.
				V1.1
QUALITY CONTROL	DATE	DATE		DATE
RELEASED	DATE	DATE		DATE

A B C D 6 5 4 3 2 1

A B C D 6 5 4 3 2 1

ACTION RECORD			
DATE	ISS. NO.	APPROVED	DATE



COMPANY: SUMMER INFANT LTD.		TITLE:	
PROJECT: EX02000-MOTOR-R1.0		CODE:	
DESIGNER: [DATE]	DRAWN: [DATE]	DATE: [DATE]	SCALE: [SCALE]
QUALITY CONTROL: [DATE]	DATE: [DATE]	DATE: [DATE]	DATE: [DATE]
RELEASED: [DATE]	DATE: [DATE]	DATE: [DATE]	DATE: [DATE]

COMPANY: SUMMER INFANT LTD.  
 TITLE:  
 PROJECT: EX02000-MOTOR-R1.0  
 CODE:  
 DESIGNER: [DATE] DRAWN: [DATE] DATE: [DATE] SCALE: [SCALE]  
 QUALITY CONTROL: [DATE] DATE: [DATE] DATE: [DATE] DATE: [DATE]  
 RELEASED: [DATE] DATE: [DATE] DATE: [DATE] DATE: [DATE]