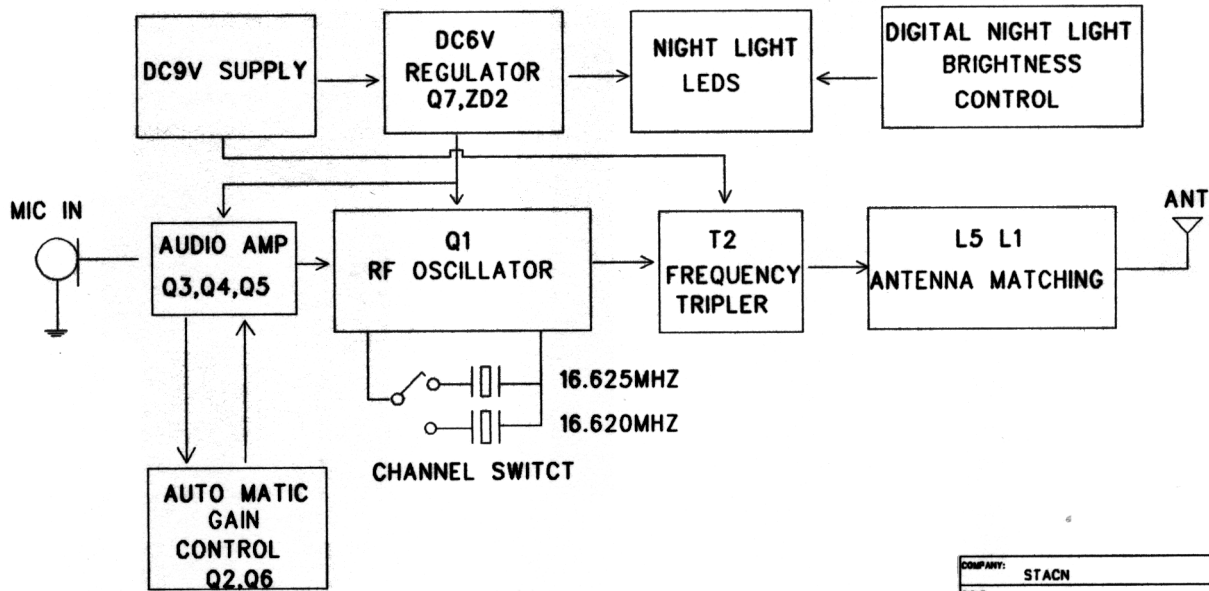


REVISION RECORD		
LFB	ECO NO.	APPROVE/DATE

2070 TX UNIT CIRCRIT BLOCK DIAGRAM



DRAWN:		DATED:		COMPANY: STACN	
CHECKED:		DATED:		TITLE: 2070 TX	
QUALITY CONTROL:		DATED:		CODE:	SIZE: A2
RELEASED:		DATED:		DRAWING NO.:	REV: A
SCALE:				SHEET: 1 OF 1	