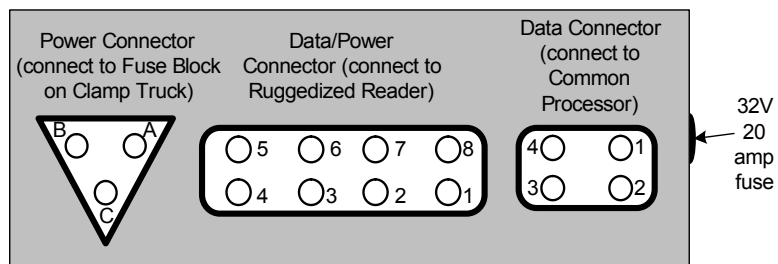


Ruggedized Reader Power Supply Kit

The **Ruggedized Reader Power Supply Kit** (PN: DCD-IP-001) provides power to your Matrics RFID system when utilized in a Clamp Truck application.

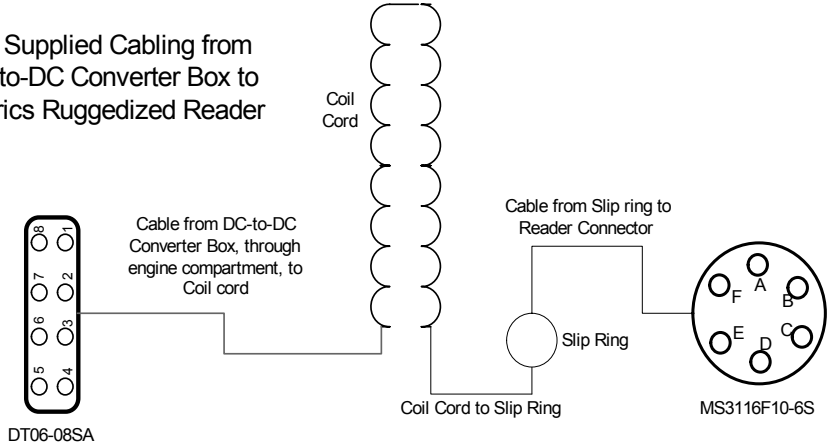
The kit contains a DC-to-DC Converter Box, a 12V Power Cable (to connect the converter box to the fuse block on the clamp truck), and a grounding strap (to be used as a safety precaution.)

Name/Part Number	Description
Ruggedized Reader Power Supply Kit, PN: DCD-IP-001	Contains components DCD-IP-010, DCD-IP-011, and DCD-IP-012
12V Power Cable, PN: DCD-IP-010	Type: Beldon 1899/3C, 3 conductors, 16 AWG Length: 6 feet Temperature: 75° C UL
DC-to-DC Converter Box, PN: DCD-IP-011	Outer Material: Aluminum Dimensions: 7.87" long x 7.87" wide x 2.8" deep Protection: NEMA 4 Operational Temperature: -25° to +85° C non-condensing Input Voltage: 12V Output Voltage: 48V Input Power/Current: 18 amps max. Output Power/Current: 4.6 amps
Grounding Strap, PN: DCD-IP-012	5" wide, 6 AWG

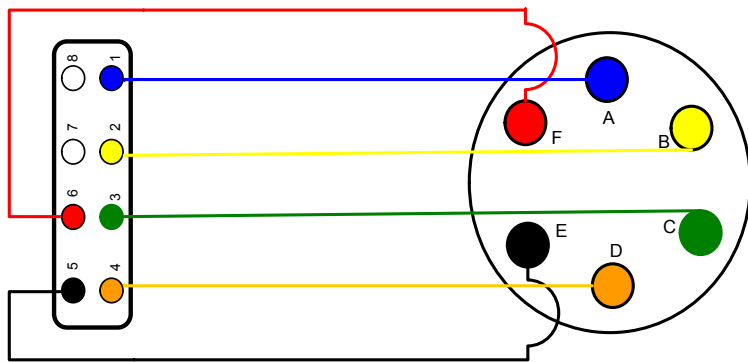


Deutsch Connector	Mating Plug	Pin Assign	Function	Wire Color	Direction
DT04-3P-L012	DT06-3S	A	+12V	Red	To 12V Fuse Block
		B	-12V (gnd)	Black	To Fuse Block Ground
		C	Inhibit/Turn On	White	To 12V (ignition switched)
DT04-4P-L012	DT06-4S	1	Rx+	n/a	From on board CPU Tx+
		2	Rx-	n/a	From on board CPU Tx-
		3	Tx-	n/a	From on board CPU Rx-
		4	Tx+	n/a	From on board CPU Rx+
DT04-08PA-L012	DT06-08SA	1	RX+	n/a	To Reader Connector Pin A
		2	RX-	n/a	To Reader Connector Pin B
		3	TX-	n/a	To Reader Connector Pin C
		4	TX+	n/a	To Reader Connector Pin D
		5	-48 return (GND)	Black	To Reader Connector Pin E
		6	+48V	Red	To Reader Connector Pin F
		7	nc	nc	nc
		8	nc	nc	nc

ISI Supplied Cabling from DC-to-DC Converter Box to Matrics Ruggedized Reader



Deutsch Connector	Mating Plug	Pin Assign	Function	Wire Color	Direction
DT04-08PA-L012	DT06-08SA	1	RX+	n/a	To Reader Connector Pin A
		2	RX-	n/a	To Reader Connector Pin B
		3	TX-	n/a	To Reader Connector Pin C
		4	TX+	n/a	To Reader Connector Pin D
		5	-48 return (GND)	Black	To Reader Connector Pin E
		6	+48V	Red	To Reader Connector Pin F
		7	nc	nc	nc
		8	nc	nc	nc



Matrics, Inc.
8850 Stanford Boulevard
Suite 3000
Columbia, MD 21045

Tel: 410.872.0300
Fax: 410.872.0700
<http://www.matrics.com>

© 2003 Matrics, Inc. All rights reserved. Printed 05/2003. Matrics is a registered trademark of Matrics, Inc. All other trademarks and logos are the property of their respective owners.