

## TEST REPORT

Test Report No.: 1-6965/13-13-02-A



### Testing Laboratory

**CETECOM ICT Services GmbH**

Untertürkheimer Straße 6 – 10  
 66117 Saarbrücken/Germany  
 Phone: + 49 681 5 98 - 0  
 Fax: + 49 681 5 98 - 9075  
 Internet: <http://www.cetecom.com>  
 e-mail: [ict@cetecom.com](mailto:ict@cetecom.com)

**Accredited Test Laboratory:**

The testing laboratory (area of testing) is accredited according to DIN EN ISO/IEC 17025 (2005) by the Deutsche Akkreditierungsstelle GmbH (DAkkS). The accreditation is valid for the scope of testing procedures as stated in the accreditation certificate with the registration number: D-PL-12076-01-01

### Applicant

**Sony Mobile Communications AB**

Nya Vattentornet  
 22188 Lund/SWEDEN  
 Phone: +46 46 19 30 00

Contact: Mikael Nilsson  
 e-mail: [Micke.nilsson@sonymobile.com](mailto:Micke.nilsson@sonymobile.com)  
 Phone: +46 7 03 22 75 03  
 Fax: ---

### Manufacturer

**Sony Mobile Communications AB**

Nya Vattentornet  
 22188 Lund/SWEDEN

### Test Standard/s

IEEE 1528-2003 Recommended Practice for Determining the Peak Spatial-Average Specific Absorption Rate (SAR) in the Human Head from Wireless Communications Devices: Measurement Techniques  
 RSS-102 Issue 4 Radio Frequency Exposure Compliance of Radiocommunication Apparatus (All Frequency Bands)  
 For further applied test standards please refer to section 3 of this test report.

### Test Item

Kind of test item: Tablet PC  
 Device type: portable device  
 S/N serial number: CB51268FMT  
 FCC-ID: PY7TS-0020  
 Hardware status: AP1  
 Software status: 17.0.A.0.274  
 Memory capacity: 16Gbyte  
 Frequency: see technical details  
 Antenna: integrated antenna  
 Battery option: Integrated Li-polymer battery 3.7V  
 Accessories: ---  
 Test sample status: identical prototype  
 Exposure category: general population / uncontrolled environment

This test report is electronically signed and valid without handwriting signature. For verification of the electronic signatures, the public keys can be requested at the testing laboratory.

**Test Report authorised:**

**Test performed:**

Thomas Vogler  
 Senior Testing Manager

Oleksandr Hnatovskiy  
 Testing Manager

<b>1</b>	<b>Table of contents</b>	<b>2</b>
1	Table of contents.....	2
2	General information .....	4
2.1	Notes and disclaimer .....	4
2.2	Application details .....	4
2.3	Statement of compliance.....	4
2.4	Technical details.....	5
2.5	Transmitter and Antenna Operating Configurations .....	5
3	Test standards/ procedures references.....	6
3.1	RF exposure limits .....	7
4	Summary of Measurement Results .....	8
5	Test Environment .....	8
6	Test Set-up.....	9
6.1	Measurement system.....	9
6.1.1	System Description.....	9
6.1.2	Test environment.....	10
6.1.3	Probe description.....	10
6.1.4	Phantom description.....	11
6.1.5	Device holder description .....	12
6.1.6	Scanning procedure .....	13
6.1.7	Spatial Peak SAR Evaluation .....	14
6.1.8	Data Storage and Evaluation.....	15
6.1.9	Tissue simulating liquids: dielectric properties .....	17
6.1.10	Measurement uncertainty evaluation for SAR test.....	18
6.1.11	Measurement uncertainty evaluation for System Check.....	22
6.1.12	System check .....	24
6.1.13	System check procedure.....	25
6.1.14	System validation .....	26
7	Detailed Test Results .....	27
8	Conducted power measurements .....	27
8.1	Conducted power measurements WLAN 2.4 GHz .....	27
8.2	Conducted power measurements WLAN 5 GHz .....	28
8.3	Standalone SAR Test Exclusion .....	31
8.3.1	SAR measurement positions .....	31
8.4	SAR test results.....	32
8.4.1	Results overview .....	32
8.4.2	General description of test procedures .....	33
8.4.3	Multiple Transmitter Information.....	33
9	Test equipment and ancillaries used for tests.....	34
10	Observations .....	34
Annex A:	System performance check.....	35
Annex B:	DASY5 measurement results.....	39
Annex B.1:	WLAN 2450MHz .....	39
Annex B.2:	WLAN 5GHz.....	40
Annex B.3:	Liquid depth.....	41

**Annex C: Photo documentation .....42**

**Annex D: Calibration parameters.....42**

**Annex E: Document History .....43**

**Annex F: Further Information .....43**

## 2 General information

### 2.1 Notes and disclaimer

The test results of this test report relate exclusively to the test item specified in this test report. CETECOM ICT Services GmbH does not assume responsibility for any conclusions and generalisations drawn from the test results with regard to other specimens or samples of the type of the equipment represented by the test item. The test report may only be reproduced or published in full. Reproduction or publication of extracts from the report requires the prior written approval of CETECOM ICT Services GmbH.

This test report is electronically signed and valid without handwriting signature. For verification of the electronic signatures, the public keys can be requested at the testing laboratory.

The testing service provided by CETECOM ICT Services GmbH has been rendered under the current "General Terms and Conditions for CETECOM ICT Services GmbH".

CETECOM ICT Services GmbH will not be liable for any loss or damage resulting from false, inaccurate, inappropriate or incomplete product information provided by the customer.

Under no circumstances does the CETECOM ICT Services GmbH test report include any endorsement or warranty regarding the functionality, quality or performance of any other product or service provided.

Under no circumstances does the CETECOM ICT Services GmbH test report include or imply any product or service warranties from CETECOM ICT Services GmbH, including, without limitation, any implied warranties of merchantability, fitness for purpose, or non-infringement, all of which are expressly disclaimed by CETECOM ICT Services GmbH.

All rights and remedies regarding vendor's products and services for which CETECOM ICT Services GmbH has prepared this test report shall be provided by the party offering such products or services and not by CETECOM ICT Services GmbH.

In no case this test report can be considered as a Letter of Approval.

### 2.2 Application details

Date of receipt of order:	2013-12-19
Date of receipt of test item:	2014-01-13
Start of test:	2014-01-14
End of test:	2014-01-15
Person(s) present during the test:	

### 2.3 Statement of compliance

The SAR values found for the Tablet PC are below the maximum recommended levels of 1.6 W/Kg as averaged over any 1 g tissue according to the FCC rule §2.1093, the ANSI/IEEE C 95.1:1992, the NCRP Report Number 86 for uncontrolled environment, according to the Health Canada's Safety Code 6 and the Industry Canada Radio Standards Specification RSS-102 for General Population/Uncontrolled exposure.

## 2.4 Technical details

Band tested for this test report	Technology	Lowest transmit frequency/MHz	Highest transmit frequency/MHz	Lowest receive Frequency/MHz	Highest receive Frequency/MHz	Kind of modulation	Power Class	Tested power control level	Test channel low	Test channel middle	Test channel high	Maximum output power/dBm )*
<input type="checkbox"/>	WLAN	2412	2472	2412	2472	CCK OFDM	--	max	1	7	13	--
<input checked="" type="checkbox"/>	WLAN US	2412	2462	2412	2462		--	max	1	6	11	10.5
<input checked="" type="checkbox"/>	WLAN	5180	5240	5180	5240	OFDM	--	max	--	40	--	10.3
<input checked="" type="checkbox"/>	WLAN	5260	5320	5260	5320	OFDM	--	max	52	--	--	9.7
<input checked="" type="checkbox"/>	WLAN	5500	5700	5500	5700	OFDM	--	max	100	--	--	10.6
<input checked="" type="checkbox"/>	WLAN	5745	5825	5745	5825	OFDM	--	max	--	149	--	10.1
<input type="checkbox"/>	BT	2402	2480	2402	2480	GFSK	3	max	0	39	78	9.7

)\*: measured averaged max power for WLAN and BT.

### Features:

BT BR / BT LE	
ANT+	
RFID 13.56 MHz	

## 2.5 Transmitter and Antenna Operating Configurations

Simultaneous transmission conditions
BT + WLAN 5GHz

Table 1: Simultaneous transmission conditions

Note: BT and WLAN can be active at the same time, but only with interleaving of packages switched on board level. That means that they don't transmit at the same time.

### 3 Test standards/ procedures references

Test Standard	Version	Test Standard Description
IEEE 1528-2003	2003-04	Recommended Practice for Determining the Peak Spatial-Average Specific Absorption Rate (SAR) in the Human Head from Wireless Communications Devices: Measurement Techniques
IEEE 1528-2013	2014-06	Recommended Practice for Determining the Peak Spatial-Average Specific Absorption Rate (SAR) in the Human Head from Wireless Communications Devices: Measurement Techniques
RSS-102 Issue 4	2010-03	Radio Frequency Exposure Compliance of Radiocommunication Apparatus (All Frequency Bands)
Canada's Safety Code No. 6	99-EHD-237	Limits of Human Exposure to Radiofrequency Electromagnetic Fields in the Frequency Range from 3 kHz to 300 GHz
IEEE Std. C95-3	2002	IEEE Recommended Practice for the Measurement of Potentially Hazardous Electromagnetic Fields – RF and Microwave
IEEE Std. C95-1	1992	IEEE Standard for Safety Levels with Respect to Human Exposure to Radio Frequency Electromagnetic Fields, 3 kHz to 300 GHz.
IEC 62209-2	2010	Human exposure to radio frequency fields from hand-held and bodymounted wireless communication devices. Human models, instrumentation, and procedures. Procedure to determine the specific absorption rate (SAR) for wireless communication devices used in close proximity to the human body (frequency range of 30 MHz to 6 GHz)
FCC KDBs:		
KDB 865664D01v01	May 28, 2013	FCC OET SAR measurement requirements 100 MHz to 6 GHz
KDB 865664D02v01	May 28, 2013	RF Exposure Compliance Reporting and Documentation Considerations
KDB 447498D01v05	May 28, 2013	Mobile and Portable Devices RF Exposure Procedures and Equipment Authorization Policies
KDB 648474D04v01	May 28, 2013	SAR Evaluation Considerations for Wireless Handsets
KDB 941225D06v01	May 28, 2013	SAR Evaluation Procedures for Portable Devices with Wireless Router Capabilities
KDB 248227D01v01	May, 2007	SAR Measurement Procedures for 802.11 a/b/g Transmitters
KDB 450824D01v01	January, 2007	SAR Probe Calibration and System Verification considerations for measurements from 150 MHz to 3 GHz
KDB 450824D01v01	March 4, 2012	Dipole Requirements for SAR System Validation and Verification
KDB 616217D03v01	November13, 2009	SAR Evaluation Considerations for Laptop Computers with Antennas Built-in on Display Screens

### 3.1 RF exposure limits

Human Exposure	Uncontrolled Environment General Population	Controlled Environment Occupational
Spatial Peak SAR* (Brain and Trunk)	<b>1.60 mW/g</b>	8.00 mW/g
Spatial Average SAR** (Whole Body)	0.08 mW/g	0.40 mW/g
Spatial Peak SAR*** (Hands/Feet/Ankle/Wrist)	4.00 mW/g	20.00 mW/g

Table 2: RF exposure limits

The limit applied in this test report is shown in bold letters

Notes:

- \* The Spatial Peak value of the SAR averaged over any 1 gram of tissue (defined as a tissue volume in the shape of a cube) and over the appropriate averaging time
- \*\* The Spatial Average value of the SAR averaged over the whole body.
- \*\*\* The Spatial Peak value of the SAR averaged over any 10 grams of tissue (defined as a tissue volume in the shape of a cube) and over the appropriate averaging time.

Uncontrolled Environments are defined as locations where there is the exposure of individuals who have no knowledge or control of their exposure.

Controlled Environments are defined as locations where there is exposure that may be incurred by persons who are aware of the potential for exposure, (i.e. as a result of employment or occupation).

#### 4 Summary of Measurement Results

<input checked="" type="checkbox"/>	<b>No deviations from the technical specifications ascertained</b>		
<input type="checkbox"/>	Deviations from the technical specifications ascertained		
<b>Maximum SAR value reported for 1g (W/kg)</b>			
	<b>PCE</b>	<b>DTS</b>	<b>UNII</b>
<b>body</b>	---	<b>0.643</b>	<b>0.721</b>
<b>collocated situations</b>	<b>ΣSAR evaluation</b>	<b>1.111</b>	

#### 5 Test Environment

Ambient temperature:	20 – 24 °C
Tissue Simulating liquid:	20 – 24 °C
Relative humidity content:	40 – 50 %
Air pressure:	not relevant for this kind of testing
Power supply:	230 V / 50 Hz

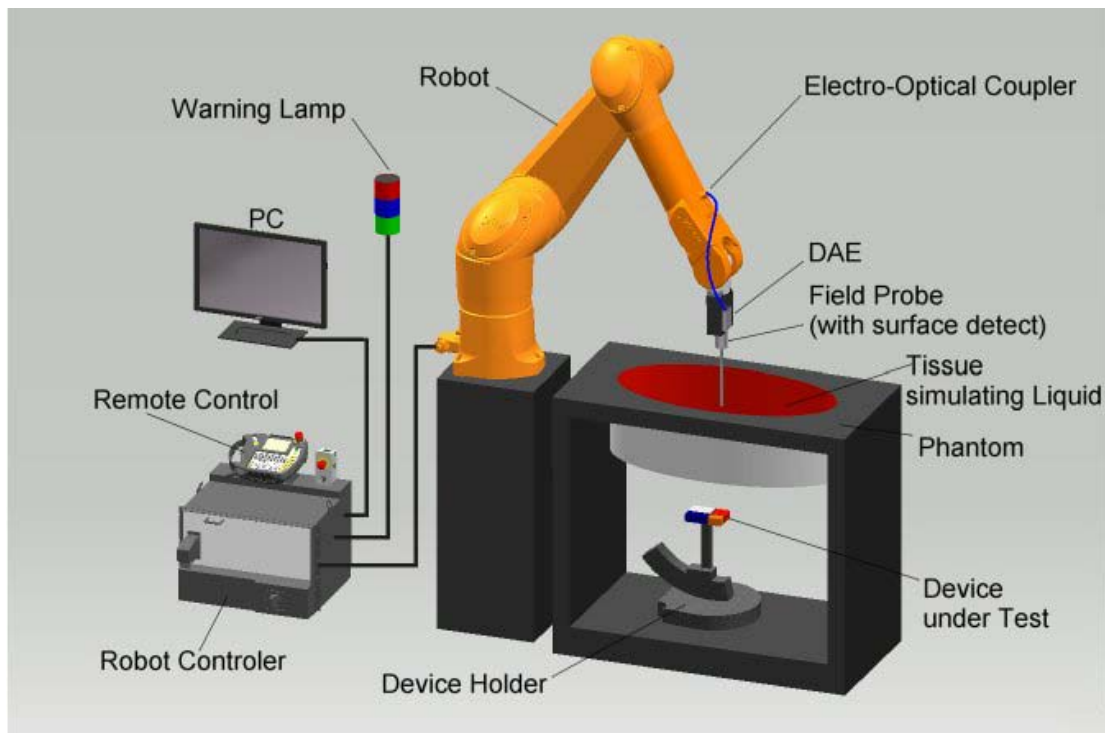
Exact temperature values for each test are shown in the table(s) under 7.1 and/or on the measurement plots.



## 6 Test Set-up

### 6.1 Measurement system

#### 6.1.1 System Description



- The DASYS system for performing compliance tests consists of the following items:
- A standard high precision 6-axis robot (Stäubli RX/TX family) with controller and software. An arm extension for accommodating the data acquisition electronics (DAE).
- A dosimetric probe, i.e. an isotropic E-field probe optimized and calibrated for usage in tissue simulating liquid.
- A data acquisition electronic (DAE) which performs the signal amplification, signal multiplexing, AD-conversion, offset measurements, mechanical surface detection, collision detection, etc. The unit is battery powered with standard or rechargeable batteries. The signal is optically transmitted to the EOC.
- The Electro-Optical Coupler (EOC) performs the conversion from the optical into a digital electric signal of the DAE. The EOC is connected to the DASYS measurement server.
- The DASYS measurement server, which performs all real-time data evaluation for field measurements and surface detection, controls robot movements and handles safety operation. A computer operating Windows 7.
- DASYS software and SEMCAD data evaluation software.
- Remote control with teach panel and additional circuitry for robot safety such as warning lamps, etc.
- The generic twin phantom enabling the testing of left-hand and right-hand usage.
- The triple flat and eli phantom for the testing of handheld and body-mounted wireless devices.
- The device holder for handheld mobile phones and mounting device adaptor for laptops
- Tissue simulating liquid mixed according to the given recipes.
- System check dipoles allowing to validate the proper functioning of the system.

### 6.1.2 Test environment

The DASY measurement system is placed in a laboratory room within an environment which avoids influence on SAR measurements by ambient electromagnetic fields and any reflection from the environment. The pictures at the beginning of the photo documentation show a complete view of the test environment. The system allows the measurement of SAR values larger than 0.005 mW/g.

### 6.1.3 Probe description

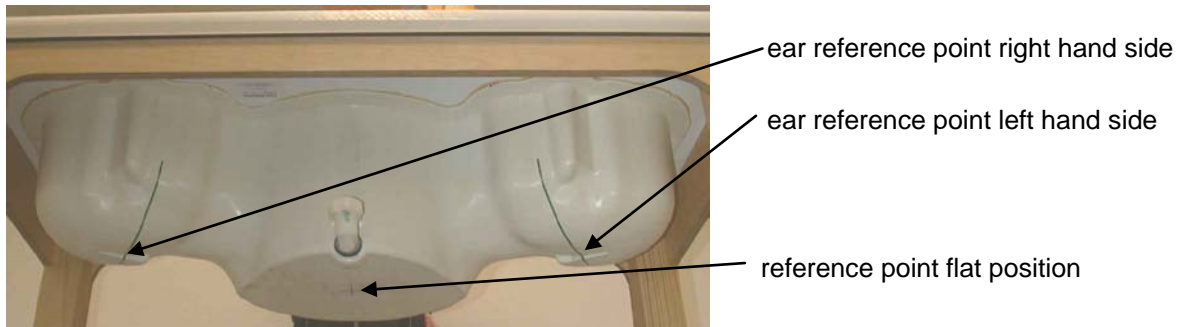
Isotropic E-Field Probe ET3DV6 for Dosimetric Measurements

<b>Technical data according to manufacturer information</b>	
Construction	Symmetrical design with triangular core Built-in optical fiber for surface detection system Built-in shielding against static charges PEEK enclosure material (resistant to organic solvents, e.g., glycoether)
Calibration	In air from 10 MHz to 2.5 GHz In head tissue simulating liquid (HSL) at 900 (800-1000) MHz and 1.8 GHz (1700-1910 MHz) (accuracy $\pm 9.5\%$ ; $k=2$ ) Calibration for other liquids and frequencies upon request
Frequency	10 MHz to 3 GHz (dosimetry); Linearity: $\pm 0.2$ dB (30 MHz to 3 GHz)
Directivity	$\pm 0.2$ dB in HSL (rotation around probe axis) $\pm 0.4$ dB in HSL (rotation normal to probe axis)
Dynamic range	5 $\mu$ W/g to > 100 mW/g; Linearity: $\pm 0.2$ dB
Optical Surface Detection	$\pm 0.2$ mm repeatability in air and clear liquids over diffuse reflecting surfaces (ET3DV6 only)
Dimensions	Overall length: 330 mm Tip length: 16 mm Body diameter: 12 mm Tip diameter: 6.8 mm Distance from probe tip to dipole centers: 2.7 mm
Application	General dosimetry up to 3 GHz Compliance tests of mobile phones Fast automatic scanning in arbitrary phantoms (ET3DV6)

### 6.1.4 Phantom description

The used SAM Phantom meets the requirements specified in FCC KDB865664 D01 for Specific Absorption Rate (SAR) measurements.

The phantom consists of a fibreglass shell integrated in a wooden table. It allows left-hand and right-hand head as well as body-worn measurements with a maximum liquid depth of 18 cm in head position and 22 cm in planar position (body measurements). The thickness of the Phantom shell is 2 mm +/- 0.1 mm.



Triple Modular Phantom consists of three identical modules which can be installed and removed separately without emptying the liquid. It includes three reference points for phantom installation. Covers prevent evaporation of the liquid. Phantom material is resistant to DGBE based tissue simulating liquids.

### 6.1.5 Device holder description

The DASY device holder has two scales for device rotation (with respect to the body axis) and the device inclination (with respect to the line between the ear openings). The plane between the ear openings and the mouth tip has a rotation angle of 65°. The bottom plate contains three pair of bolts for locking the device holder. The device holder positions are adjusted to the standard measurement positions in the three sections. This device holder is used for standard mobile phones or PDA's only. If necessary an additional support of polystyrene material is used.



Larger DUT's (e.g. notebooks) cannot be tested using this device holder. Instead a support of bigger polystyrene cubes and thin polystyrene plates is used to position the DUT in all relevant positions to find and measure spots with maximum SAR values. Therefore those devices are normally only tested at the flat part of the SAM.

### 6.1.6 Scanning procedure

- The DASY installation includes predefined files with recommended procedures for measurements and system check. They are read-only document files and destined as fully defined but unmeasured masks. All test positions (head or body-worn) are tested with the same configuration of test steps differing only in the grid definition for the different test positions.
- The „reference“ and „drift“ measurements are located at the beginning and end of the batch process. They measure the field drift at one single point in the liquid over the complete procedure. The indicated drift is mainly the variation of the DUT's output power and should vary max. +/- 5 %.
- The highest integrated SAR value is the main concern in compliance test applications. These values can mostly be found at the inner surface of the phantom and cannot be measured directly due to the sensor offset in the probe. To extrapolate the surface values, the measurement distances to the surface must be known accurately. A distance error of 0.5mm could produce SAR errors of 6% at 1800 MHz. Using predefined locations for measurements is not accurate enough. Any shift of the phantom (e.g., slight deformations after filling it with liquid) would produce high uncertainties. For an automatic and accurate detection of the phantom surface, the DASY5 system uses the mechanical surface detection. The detection is always at touch, but the probe will move backward from the surface the indicated distance before starting the measurement.
- The „area scan“ measures the SAR above the DUT or verification dipole on a parallel plane to the surface. It is used to locate the approximate location of the peak SAR with 2D spline interpolation. The robot performs a stepped movement along one grid axis while the local electrical field strength is measured by the probe. The probe is touching the surface of the SAM during acquisition of measurement values. The scan uses different grid spacings for different frequency measurements. Standard grid spacing for head measurements in frequency ranges  $\leq 2$  GHz is 15 mm in x - and y-dimension. For higher frequencies a finer resolution is needed, thus for the grid spacing is reduced according the following table:

Area scan grid spacing for different frequency ranges	
Frequency range	Grid spacing
$\leq 2$ GHz	$\leq 15$ mm
2 – 4 GHz	$\leq 12$ mm
4 – 6 GHz	$\leq 10$ mm

Grid spacing and orientation have no influence on the SAR result. For special applications where the standard scan method does not find the peak SAR within the grid, e.g. mobile phones with flip cover, the grid can be adapted in orientation. Results of this coarse scan are shown in annex B.

- A „zoom scan“ measures the field in a volume around the 2D peak SAR value acquired in the previous „coarse“ scan. It uses a fine meshed grid where the robot moves the probe in steps along all the 3 axis (x,y and z-axis) starting at the bottom of the Phantom. The grid spacing for the cube measurement is varied according to the measured frequency range, the dimensions are given in the following table:

Zoom scan grid spacing and volume for different frequency ranges			
Frequency range	Grid spacing for x, y axis	Grid spacing for z axis	Minimum zoom scan volume
$\leq 2$ GHz	$\leq 8$ mm	$\leq 5$ mm	$\geq 30$ mm
2 – 3 GHz	$\leq 5$ mm	$\leq 5$ mm	$\geq 28$ mm
3 – 4 GHz	$\leq 5$ mm	$\leq 4$ mm	$\geq 28$ mm
4 – 5 GHz	$\leq 4$ mm	$\leq 3$ mm	$\geq 25$ mm
5 – 6 GHz	$\leq 4$ mm	$\leq 2$ mm	$\geq 22$ mm

DASY is also able to perform repeated zoom scans if more than 1 peak is found during area scan. In this document, the evaluated peak 1g and 10g averaged SAR values are shown in the 2D-graphics in annex B. Test results relevant for the specified standard (see section 3) are shown in table form in section 7.

## 6.1.7 Spatial Peak SAR Evaluation

The spatial peak SAR - value for 1 and 10 g is evaluated after the Cube measurements have been done. The basis of the evaluation are the SAR values measured at the points of the fine cube grid consisting of all points in the three directions x, y and z. The algorithm that finds the maximal averaged volume is separated into three different stages.

- The data between the dipole center of the probe and the surface of the phantom are extrapolated. This data cannot be measured since the center of the dipole is 1 to 2.7 mm away from the tip of the probe and the distance between the surface and the lowest measuring point is about 1 mm (see probe calibration sheet). The extrapolated data from a cube measurement can be visualized by selecting 'Graph Evaluated'.
- The maximum interpolated value is searched with a straight-forward algorithm. Around this maximum the SAR - values averaged over the spatial volumes (1g or 10 g) are computed using the 3d-spline interpolation algorithm. If the volume cannot be evaluated (i.e., if a part of the grid was cut off by the boundary of the measurement area) the evaluation will be started on the corners of the bottom plane of the cube.
- All neighbouring volumes are evaluated until no neighbouring volume with a higher average value is found.

### Extrapolation

The extrapolation is based on a least square algorithm [W. Gander, Computermathematik, p.168-180]. Through the points in the first 3 cm along the z-axis, polynomials of order four are calculated. These polynomials are then used to evaluate the points between the surface and the probe tip. The points, calculated from the surface, have a distance of 1 mm from each other.

### Interpolation

The interpolation of the points is done with a 3d-Spline. The 3d-Spline is composed of three one-dimensional splines with the "Not a knot"-condition [W. Gander, Computermathematik, p.141-150] (x, y and z -direction) [Numerical Recipes in C, Second Edition, p.123ff ].

### Volume Averaging

At First the size of the cube is calculated. Then the volume is integrated with the trapezoidal algorithm. 8000 points (20x20x20) are interpolated to calculate the average.

### Advanced Extrapolation

DASY uses the advanced extrapolation option which is able to compensate boundary effects on E-field probes.

## 6.1.8 Data Storage and Evaluation

### Data Storage

The DASY software stores the acquired data from the data acquisition electronics as raw data (in microvolt readings from the probe sensors), together with all necessary software parameters for the data evaluation (probe calibration data, liquid parameters and device frequency and modulation data) in measurement files with the extension ".DA4", ".DA5x". The software evaluates the desired unit and format for output each time the data is visualized or exported. This allows verification of the complete software setup even after the measurement and allows correction of incorrect parameter settings. For example, if a measurement has been performed with a wrong crest factor parameter in the device setup, the parameter can be corrected afterwards and the data can be re-evaluated.

The measured data can be visualized or exported in different units or formats, depending on the selected probe type ([V/m], [A/m], [°C], [mW/g], [mW/cm<sup>2</sup>], [dBrel], etc.). Some of these units are not available in certain situations or show meaningless results, e.g., a SAR output in a lossless media will always be zero. Raw data can also be exported to perform the evaluation with other software packages.

### Data Evaluation by SEMCAD

The SEMCAD software automatically executes the following procedures to calculate the field units from the microvolt readings at the probe connector. The parameters used in the evaluation are stored in the configuration modules of the software:

Probe parameters:	- Sensitivity	$\text{Norm}_i, a_{i0}, a_{i1}, a_{i2}$
	- Conversion factor	$\text{ConvF}_i$
	- Diode compression point	$\text{Dcpi}$
Device parameters:	- Frequency	$f$
	- Crest factor	$cf$
Media parameters:	- Conductivity	$\sigma$
	- Density	$\rho$

These parameters must be set correctly in the software. They can be found in the component documents or they can be imported into the software from the configuration files issued for the DASY components. In the direct measuring mode of the multimeter option, the parameters of the actual system setup are used. In the scan visualization and export modes, the parameters stored in the corresponding document files are used.

The first step of the evaluation is a linearization of the filtered input signal to account for the compression characteristics of the detector diode. The compensation depends on the input signal, the diode type and the DC-transmission factor from the diode to the evaluation electronics.



If the exciting field is pulsed, the crest factor of the signal must be known to correctly compensate for peak power. The formula for each channel can be given as:

$$V_i = U_i + U_i^2 \cdot cf/dcp_i$$

with  $V_i$  = compensated signal of channel i (i = x, y, z)  
 $U_i$  = input signal of channel i (i = x, y, z)  
 cf = crest factor of exciting field (DASY parameter)  
 $dcp_i$  = diode compression point (DASY parameter)

From the compensated input signals the primary field data for each channel can be evaluated:

E-field probes:  $E_i = (V_i / Norm_i \cdot ConvF)^{1/2}$

H-field probes:  $H_i = (V_i)^{1/2} \cdot (a_{i0} + a_{i1}f + a_{i2}f^2)/f$

with  $V_i$  = compensated signal of channel i (i = x, y, z)  
 $Norm_i$  = sensor sensitivity of channel i (i = x, y, z)  
 [mV/(V/m)<sup>2</sup>] for E-field Probes  
 $ConvF$  = sensitivity enhancement in solution  
 $a_{ij}$  = sensor sensitivity factors for H-field probes  
 $f$  = carrier frequency [GHz]  
 $E_i$  = electric field strength of channel i in V/m  
 $H_i$  = magnetic field strength of channel i in A/m

The RSS value of the field components gives the total field strength (Hermitian magnitude):

$$E_{tot} = (E_x^2 + E_y^2 + E_z^2)^{1/2}$$

The primary field data are used to calculate the derived field units.

$$SAR = (E_{tot}^2 \cdot \sigma) / (\rho \cdot 1000)$$

with SAR = local specific absorption rate in mW/g  
 $E_{tot}$  = total field strength in V/m  
 $\sigma$  = conductivity in [mho/m] or [Siemens/m]  
 $\rho$  = equivalent tissue density in g/cm<sup>3</sup>

Note that the density is normally set to 1 (or 1.06), to account for actual brain density rather than the density of the simulation liquid. The power flow density is calculated assuming the excitation field to be a free space field.

$$P_{pwe} = E_{tot}^2 / 3770 \quad \text{or} \quad P_{pwe} = H_{tot}^2 \cdot 37.7$$

with  $P_{pwe}$  = equivalent power density of a plane wave in mW/cm<sup>2</sup>  
 $E_{tot}$  = total electric field strength in V/m  
 $H_{tot}$  = total magnetic field strength in A/m



### 6.1.9 Tissue simulating liquids: dielectric properties

The following materials are used for producing the tissue-equivalent materials.

(Liquids used for tests described in section 7. are marked with ☒) :

Ingredients (% of weight)	Frequency (MHz)								
	<input type="checkbox"/> 450	<input type="checkbox"/> 750	<input type="checkbox"/> 835	<input type="checkbox"/> 900	<input type="checkbox"/> 1450	<input type="checkbox"/> 1750	<input type="checkbox"/> 1900	<input checked="" type="checkbox"/> 2450	<input checked="" type="checkbox"/> 5000
frequency band									
Tissue Type	Body	Body	Body	Body	Body	Body	Body	Body	Body
Water	51.16	51.7	52.4	56.0	70.97	69.91	69.91	73.2	64 - 78
Salt (NaCl)	1.49	0.9	1.40	0.76	0.43	0.13	0.13	0.04	2 - 3
Sugar	46.78	47.2	45.0	41.76	0.0	0.0	0.0	0.0	0.0
HEC	0.52	0.0	1.0	1.21	0.0	0.0	0.0	0.0	0.0
Bactericide	0.05	0.1	0.1	0.27	0.0	0.0	0.0	0.0	0.0
Triton X-100	0.0	0.0	0.0	0.0	0.0	0.0	0.0	0.0	0.0
DGBE	0.0	0.0	0.0	0.0	28.60	29.96	29.96	26.7	0.0
Emulsifiers	0.0	0.0	0.0	0.0	0.0	0.0	0.0	0.0	9 - 15
Mineral Oil	0.0	0.0	0.0	0.0	0.0	0.0	0.0	0.0	11 - 18

Table 3: Body tissue dielectric properties

Salt: 99+% Pure Sodium Chloride

Water: De-ionized, 16MΩ+ resistivity

Sugar: 98+% Pure Sucrose

HEC: Hydroxyethyl Cellulose

DGBE: 99+% Di(ethylene glycol) butyl ether, [2-(2-butoxyethoxy)ethanol]

Triton X-100(ultra pure): Polyethylene glycol mono [4-(1,1,3,3-tetramethylbutyl)phenyl]ether

Liquid MSL	Freq. (MHz)	Target <b>body</b> tissue		Measurement <b>body</b> tissue					Measurement date
		Permittivity	Conductivity [S/m]	Permittivity	Dev. %	Conductivity		Dev. %	
						ε"	[S/m]		
2450	2412	52.75	1.91	52.0	-1.5%	14.28	1.92	0.1%	2014-01-14
	2437	52.72	1.94	52.0	-1.3%	14.34	1.94	0.3%	
	2450	52.70	1.95	52.1	-1.2%	14.38	1.96	0.5%	
	2462	52.68	1.97	52.1	-1.2%	14.45	1.98	0.6%	
5GHz	5200	49.01	5.30	48.9	-0.2%	17.88	5.17	-2.4%	2014-01-15
	5260	48.93	5.37	48.8	-0.2%	17.93	5.25	-2.3%	
	5500	48.61	5.65	48.3	-0.6%	18.17	5.56	-1.6%	
	5745	48.27	5.94	47.8	-0.9%	18.37	5.87	-1.1%	
	5800	48.20	6.00	47.7	-1.0%	18.45	5.95	-0.8%	

Table 4: Parameter of the body tissue simulating liquid

Note: The dielectric properties have been measured using the contact probe method at 22°C.

**6.1.10 Measurement uncertainty evaluation for SAR test**

Relative DASY5 Uncertainty Budget for SAR Tests								
According to IEEE 1528/2011 and IEC62209-1/2011 (0.3-3GHz range)								
Error Description	Uncertainty Value	Probability Distribution	Divisor	$c_i$	$c_i$	Standard Uncertainty		$v_i^2$ or $v_{eff}$
				(1g)	(10g)	± %, (1g)	± %, (10g)	
<b>Measurement System</b>								
Probe calibration	± 6.0 %	Normal	1	1	1	± 6.0 %	± 6.0 %	∞
Axial isotropy	± 4.7 %	Rectangular	√ 3	0.7	0.7	± 1.9 %	± 1.9 %	∞
Hemispherical isotropy	± 9.6 %	Rectangular	√ 3	0.7	0.7	± 3.9 %	± 3.9 %	∞
Boundary effects	± 1.0 %	Rectangular	√ 3	1	1	± 0.6 %	± 0.6 %	∞
Probe linearity	± 4.7 %	Rectangular	√ 3	1	1	± 2.7 %	± 2.7 %	∞
System detection limits	± 1.0 %	Rectangular	√ 3	1	1	± 0.6 %	± 0.6 %	∞
Modulation Response	± 2.4 %	Rectangular	√ 3	1	1	± 1.4 %	± 1.4 %	∞
Readout electronics	± 0.3 %	Normal	1	1	1	± 0.3 %	± 0.3 %	∞
Response time	± 0.8 %	Rectangular	√ 3	1	1	± 0.5 %	± 0.5 %	∞
Integration time	± 2.6 %	Rectangular	√ 3	1	1	± 1.5 %	± 1.5 %	∞
RF ambient noise	± 3.0 %	Rectangular	√ 3	1	1	± 1.7 %	± 1.7 %	∞
RF ambient reflections	± 3.0 %	Rectangular	√ 3	1	1	± 1.7 %	± 1.7 %	∞
Probe positioner	± 0.4 %	Rectangular	√ 3	1	1	± 0.2 %	± 0.2 %	∞
Probe positioning	± 2.9 %	Rectangular	√ 3	1	1	± 1.7 %	± 1.7 %	∞
Max. SAR evaluation	± 2.0 %	Rectangular	√ 3	1	1	± 1.2 %	± 1.2 %	∞
<b>Test Sample Related</b>								
Device positioning	± 2.9 %	Normal	1	1	1	± 2.9 %	± 2.9 %	145
Device holder uncertainty	± 3.6 %	Normal	1	1	1	± 3.6 %	± 3.6 %	5
Power drift	± 5.0 %	Rectangular	√ 3	1	1	± 2.9 %	± 2.9 %	∞
<b>Phantom and Set-up</b>								
Phantom uncertainty	± 6.1 %	Rectangular	√ 3	1	1	± 3.5 %	± 3.5 %	∞
SAR correction	± 1.9 %	Rectangular	√ 3	1	0.84	± 1.1 %	± 0.9 %	∞
Liquid conductivity (meas.)	± 5.0 %	Rectangular	√ 3	0.78	0.71	± 2.3 %	± 2.0 %	∞
Liquid permittivity (meas.)	± 5.0 %	Rectangular	√ 3	0.26	0.26	± 0.8 %	± 0.8 %	∞
Temp. Unc. - Conductivity	± 3.4 %	Rectangular	√ 3	0.78	0.71	± 1.5 %	± 1.4 %	∞
Temp. Unc. - Permittivity	± 0.4 %	Rectangular	√ 3	0.23	0.26	± 0.1 %	± 0.1 %	∞
<b>Combined Uncertainty</b>						± 11.3 %	± 11.3 %	330
<b>Expanded Std. Uncertainty</b>						± 22.7 %	± 22.5 %	

Table 5: Measurement uncertainties  
 Worst-Case uncertainty budget for DASY5 assessed according to IEEE 1528/2011 and IEC 62209-1/2011 draft standards. The budget is valid for the frequency range 300MHz -3 GHz and represents a worst-case analysis. For specific tests and configurations, the uncertainty could be considerable smaller.

Relative DASY5 Uncertainty Budget for SAR Tests								
According to IEC62209-2/2010 (30 MHz - 6 GHz range)								
Error Description	Uncertainty Value	Probability Distribution	Divisor	$c_i$	$c_i$	Standard Uncertainty		$v_i^2$ or $v_{eff}$
				(1g)	(10g)	± %, (1g)	± %, (10g)	
<b>Measurement System</b>								
Probe calibration	± 6.6 %	Normal	1	1	1	± 6.6 %	± 6.6 %	∞
Axial isotropy	± 4.7 %	Rectangular	√ 3	0.7	0.7	± 1.9 %	± 1.9 %	∞
Hemispherical isotropy	± 9.6 %	Rectangular	√ 3	0.7	0.7	± 3.9 %	± 3.9 %	∞
Boundary effects	± 2.0 %	Rectangular	√ 3	1	1	± 1.2 %	± 1.2 %	∞
Probe linearity	± 4.7 %	Rectangular	√ 3	1	1	± 2.7 %	± 2.7 %	∞
System detection limits	± 1.0 %	Rectangular	√ 3	1	1	± 0.6 %	± 0.6 %	∞
Modulation Response	± 2.4 %	Rectangular	√ 3	1	1	± 1.4 %	± 1.4 %	∞
Readout electronics	± 0.3 %	Normal	1	1	1	± 0.3 %	± 0.3 %	∞
Response time	± 0.8 %	Rectangular	√ 3	1	1	± 0.5 %	± 0.5 %	∞
Integration time	± 2.6 %	Rectangular	√ 3	1	1	± 1.5 %	± 1.5 %	∞
RF ambient noise	± 3.0 %	Rectangular	√ 3	1	1	± 1.7 %	± 1.7 %	∞
RF ambient reflections	± 3.0 %	Rectangular	√ 3	1	1	± 1.7 %	± 1.7 %	∞
Probe positioner	± 0.8 %	Rectangular	√ 3	1	1	± 0.5 %	± 0.5 %	∞
Probe positioning	± 6.7 %	Rectangular	√ 3	1	1	± 3.9 %	± 3.9 %	∞
Post-processing	± 4.0 %	Rectangular	√ 3	1	1	± 2.3 %	± 2.3 %	∞
<b>Test Sample Related</b>								
Device positioning	± 2.9 %	Normal	1	1	1	± 2.9 %	± 2.9 %	145
Device holder uncertainty	± 3.6 %	Normal	1	1	1	± 3.6 %	± 3.6 %	5
Power drift	± 5.0 %	Rectangular	√ 3	1	1	± 2.9 %	± 2.9 %	∞
<b>Phantom and Set-up</b>								
Phantom uncertainty	± 7.9 %	Rectangular	√ 3	1	1	± 4.6 %	± 4.6 %	∞
SAR correction	± 1.9 %	Rectangular	√ 3	1	0.84	± 1.1 %	± 0.9 %	∞
Liquid conductivity (meas.)	± 5.0 %	Rectangular	√ 3	0.78	0.71	± 2.3 %	± 2.0 %	∞
Liquid permittivity (meas.)	± 5.0 %	Rectangular	√ 3	0.26	0.26	± 0.8 %	± 0.8 %	∞
Temp. Unc. - Conductivity	± 3.4 %	Rectangular	√ 3	0.78	0.71	± 1.5 %	± 1.4 %	∞
Temp. Unc. - Permittivity	± 0.4 %	Rectangular	√ 3	0.23	0.26	± 0.1 %	± 0.1 %	∞
<b>Combined Uncertainty</b>						± 12.7 %	± 12.6 %	330
<b>Expanded Std. Uncertainty</b>						± 25.4 %	± 25.3 %	

Table 6: Measurement uncertainties. Worst-Case uncertainty budget for DASY5 assessed according to according to IEC 62209-2/2010 standard. The budget is valid for the frequency range 30MHz - 6 GHz and represents a worst-case analysis. For specific tests and configurations, the uncertainty could be considerable smaller.

Relative DASYS5 Uncertainty Budget for SAR Tests								
According to IEEE 1528-2003, IEC 62209-1 for the 3-6 GHz range								
Error Description	Uncertainty Value	Probability Distribution	Divisor	c <sub>i</sub>	c <sub>i</sub>	Standard Uncertainty		v <sub>i</sub> <sup>2</sup> or v <sub>eff</sub>
				(1g)	(10g)	± %, (1g)	± %, (10g)	
<b>Measurement System</b>								
Probe calibration	± 6.6 %	Normal	1	1	1	± 6.6 %	± 6.6 %	∞
Axial isotropy	± 4.7 %	Rectangular	√ 3	0.7	0.7	± 1.9 %	± 1.9 %	∞
Hemispherical isotropy	± 9.6 %	Rectangular	√ 3	0.7	0.7	± 3.9 %	± 3.9 %	∞
Boundary effects	± 2.0 %	Rectangular	√ 3	1	1	± 1.2 %	± 1.2 %	∞
Probe linearity	± 4.7 %	Rectangular	√ 3	1	1	± 2.7 %	± 2.7 %	∞
System detection limits	± 1.0 %	Rectangular	√ 3	1	1	± 0.6 %	± 0.6 %	∞
Readout electronics	± 0.3 %	Normal	1	1	1	± 0.3 %	± 0.3 %	∞
Response time	± 0.8 %	Rectangular	√ 3	1	1	± 0.5 %	± 0.5 %	∞
Integration time	± 2.6 %	Rectangular	√ 3	1	1	± 1.5 %	± 1.5 %	∞
RF ambient noise	± 3.0 %	Rectangular	√ 3	1	1	± 1.7 %	± 1.7 %	∞
RF ambient reflections	± 3.0 %	Rectangular	√ 3	1	1	± 1.7 %	± 1.7 %	∞
Probe positioner	± 0.8 %	Rectangular	√ 3	1	1	± 0.5 %	± 0.5 %	∞
Probe positioning	± 6.7 %	Rectangular	√ 3	1	1	± 3.9 %	± 3.9 %	∞
Max. SAR evaluation	± 4.0 %	Rectangular	√ 3	1	1	± 2.3 %	± 2.3 %	∞
<b>Test Sample Related</b>								
Device positioning	± 2.9 %	Normal	1	1	1	± 2.9 %	± 2.9 %	145
Device holder uncertainty	± 3.6 %	Normal	1	1	1	± 3.6 %	± 3.6 %	5
Power drift	± 5.0 %	Rectangular	√ 3	1	1	± 2.9 %	± 2.9 %	∞
<b>Phantom and Set-up</b>								
Phantom uncertainty	± 4.0 %	Rectangular	√ 3	1	1	± 2.3 %	± 2.3 %	∞
Liquid conductivity (target)	± 5.0 %	Rectangular	√ 3	0.64	0.43	± 1.8 %	± 1.2 %	∞
Liquid conductivity (meas.)	± 5.0 %	Rectangular	√ 3	0.64	0.43	± 1.8 %	± 1.2 %	∞
Liquid permittivity (target)	± 5.0 %	Rectangular	√ 3	0.6	0.49	± 1.7 %	± 1.4 %	∞
Liquid permittivity (meas.)	± 5.0 %	Rectangular	√ 3	0.6	0.49	± 1.7 %	± 1.4 %	∞
<b>Combined Uncertainty</b>						± 12.1 %	± 11.9 %	330
<b>Expanded Std. Uncertainty</b>						± 24.3 %	± 23.8 %	

Table 7: Measurement uncertainties

Worst-Case uncertainty budget for DASYS5 valid for 3G communication signals and frequency range 3 - 6 GHz. Probe calibration error reflects uncertainty of the EX3D probe. For specific tests and configurations, the uncertainty could be considerable smaller.

Relative DASY5 Uncertainty Budget for SAR Tests								
According to IEEE 1528/2011 and IEC62209-1/2011 (3-6GHz range)								
Error Description	Uncertainty Value	Probability Distribution	Divisor	$c_i$	$c_i$	Standard Uncertainty		$v_i^2$ or $v_{eff}$
				(1g)	(10g)	± %, (1g)	± %, (10g)	
<b>Measurement System</b>								
Probe calibration	± 6.6 %	Normal	1	1	1	± 6.6 %	± 6.6 %	∞
Axial isotropy	± 4.7 %	Rectangular	√ 3	0.7	0.7	± 1.9 %	± 1.9 %	∞
Hemispherical isotropy	± 9.6 %	Rectangular	√ 3	0.7	0.7	± 3.9 %	± 3.9 %	∞
Boundary effects	± 2.0 %	Rectangular	√ 3	1	1	± 1.2 %	± 1.2 %	∞
Probe linearity	± 4.7 %	Rectangular	√ 3	1	1	± 2.7 %	± 2.7 %	∞
System detection limits	± 1.0 %	Rectangular	√ 3	1	1	± 0.6 %	± 0.6 %	∞
Modulation Response	± 2.4 %	Rectangular	√ 3	1	1	± 1.4 %	± 1.4 %	∞
Readout electronics	± 0.3 %	Normal	1	1	1	± 0.3 %	± 0.3 %	∞
Response time	± 0.8 %	Rectangular	√ 3	1	1	± 0.5 %	± 0.5 %	∞
Integration time	± 2.6 %	Rectangular	√ 3	1	1	± 1.5 %	± 1.5 %	∞
RF ambient noise	± 3.0 %	Rectangular	√ 3	1	1	± 1.7 %	± 1.7 %	∞
RF ambient reflections	± 3.0 %	Rectangular	√ 3	1	1	± 1.7 %	± 1.7 %	∞
Probe positioner	± 0.8 %	Rectangular	√ 3	1	1	± 0.5 %	± 0.5 %	∞
Probe positioning	± 6.7 %	Rectangular	√ 3	1	1	± 3.9 %	± 3.9 %	∞
Max. SAR evaluation	± 4.0 %	Rectangular	√ 3	1	1	± 2.3 %	± 2.3 %	∞
<b>Test Sample Related</b>								
Device positioning	± 2.9 %	Normal	1	1	1	± 2.9 %	± 2.9 %	145
Device holder uncertainty	± 3.6 %	Normal	1	1	1	± 3.6 %	± 3.6 %	5
Power drift	± 5.0 %	Rectangular	√ 3	1	1	± 2.9 %	± 2.9 %	∞
<b>Phantom and Set-up</b>								
Phantom uncertainty	± 6.6 %	Rectangular	√ 3	1	1	± 3.8 %	± 3.8 %	∞
SAR correction	± 1.9 %	Rectangular	√ 3	1	0.84	± 1.1 %	± 0.9 %	∞
Liquid conductivity (meas.)	± 5.0 %	Rectangular	√ 3	0.78	0.71	± 2.3 %	± 2.0 %	∞
Liquid permittivity (meas.)	± 5.0 %	Rectangular	√ 3	0.26	0.26	± 0.8 %	± 0.8 %	∞
Temp. Unc. - Conductivity	± 3.4 %	Rectangular	√ 3	0.78	0.71	± 1.5 %	± 1.4 %	∞
Temp. Unc. - Permittivity	± 0.4 %	Rectangular	√ 3	0.23	0.26	± 0.1 %	± 0.1 %	∞
<b>Combined Uncertainty</b>						± 12.4 %	± 12.4 %	330
<b>Expanded Std. Uncertainty</b>						± 24.9 %	± 24.8 %	

Table 8: Measurement uncertainties

Worst-Case uncertainty budget for DASY5 assessed according to IEEE 1528/2011 and IEC 62209-1/2011 draft standards. The budget is valid for the frequency range 3GHz -6GHz and represents a worst-case analysis. For specific tests and configurations, the uncertainty could be considerable smaller.

**6.1.11 Measurement uncertainty evaluation for System Check**

Uncertainty of a System Performance Check with DASY5 System for the 0.3 - 3 GHz range								
Source of uncertainty	Uncertainty Value	Probability Distribution	Divisor	$c_i$	$c_i$	Standard Uncertainty		$v_i^2$ or $v_{eff}$
				(1g)	(10g)	± %, (1g)	± %, (10g)	
<b>Measurement System</b>								
Probe calibration	± 6.0 %	Normal	1	1	1	± 6.0 %	± 6.0 %	∞
Axial isotropy	± 4.7 %	Rectangular	√ 3	0.7	0.7	± 1.9 %	± 1.9 %	∞
Hemispherical isotropy	± 0.0 %	Rectangular	√ 3	0.7	0.7	± 0.0 %	± 0.0 %	∞
Boundary effects	± 1.0 %	Rectangular	√ 3	1	1	± 0.6 %	± 0.6 %	∞
Probe linearity	± 4.7 %	Rectangular	√ 3	1	1	± 2.7 %	± 2.7 %	∞
System detection limits	± 1.0 %	Rectangular	√ 3	1	1	± 0.6 %	± 0.6 %	∞
Readout electronics	± 0.3 %	Normal	1	1	1	± 0.3 %	± 0.3 %	∞
Response time	± 0.0 %	Rectangular	√ 3	1	1	± 0.0 %	± 0.0 %	∞
Integration time	± 0.0 %	Rectangular	√ 3	1	1	± 0.0 %	± 0.0 %	∞
RF ambient conditions	± 3.0 %	Rectangular	√ 3	1	1	± 1.7 %	± 1.7 %	∞
Probe positioner	± 0.4 %	Rectangular	√ 3	1	1	± 0.2 %	± 0.2 %	∞
Probe positioning	± 2.9 %	Rectangular	√ 3	1	1	± 1.7 %	± 1.7 %	∞
Max. SAR evaluation	± 1.0 %	Rectangular	√ 3	1	1	± 0.6 %	± 0.6 %	∞
<b>Test Sample Related</b>								
Dev. of experimental dipole	± 0.0 %	Rectangular	√ 3	1	1	± 0.0 %	± 0.0 %	∞
Source to liquid distance	± 2.0 %	Rectangular	√ 3	1	1	± 1.2 %	± 1.2 %	∞
Power drift	± 3.4 %	Rectangular	√ 3	1	1	± 2.0 %	± 2.0 %	∞
<b>Phantom and Set-up</b>								
Phantom uncertainty	± 4.0 %	Rectangular	√ 3	1	1	± 2.3 %	± 2.3 %	∞
SAR correction	± 1.9 %	Rectangular	√ 3	1	0.84	± 1.1 %	± 0.9 %	∞
Liquid conductivity (meas.)	± 5.0 %	Normal	1	0.78	0.71	± 3.9 %	± 3.6 %	∞
Liquid permittivity (meas.)	± 5.0 %	Normal	1	0.26	0.26	± 1.3 %	± 1.3 %	∞
Temp. unc. - Conductivity	± 1.7 %	Rectangular	√ 3	0.78	0.71	± 0.8 %	± 0.7 %	∞
Temp. unc. - Permittivity	± 0.3 %	Rectangular	√ 3	0.23	0.26	± 0.0 %	± 0.0 %	∞
<b>Combined Uncertainty</b>						± 9.1 %	± 8.9 %	330
<b>Expanded Std. Uncertainty</b>						± 18.2 %	± 17.9 %	

Table 9: Measurement uncertainties of the System Check with DASY5 (0.3-3GHz)

Uncertainty of a System Performance Check with DASY5 System for the 3 - 6 GHz range								
Source of uncertainty	Uncertainty Value	Probability Distribution	Divisor	$c_i$	$c_i$	Standard Uncertainty		$v_i^2$ or $v_{eff}$
				(1g)	(10g)	± %, (1g)	± %, (10g)	
<b>Measurement System</b>								
Probe calibration	± 6.6 %	Normal	1	1	1	± 6.6 %	± 6.6 %	∞
Axial isotropy	± 4.7 %	Rectangular	√ 3	0.7	0.7	± 1.9 %	± 1.9 %	∞
Hemispherical isotropy	± 0.0 %	Rectangular	√ 3	0.7	0.7	± 0.0 %	± 0.0 %	∞
Boundary effects	± 1.0 %	Rectangular	√ 3	1	1	± 0.6 %	± 0.6 %	∞
Probe linearity	± 4.7 %	Rectangular	√ 3	1	1	± 2.7 %	± 2.7 %	∞
System detection limits	± 1.0 %	Rectangular	√ 3	1	1	± 0.6 %	± 0.6 %	∞
Readout electronics	± 0.3 %	Normal	1	1	1	± 0.3 %	± 0.3 %	∞
Response time	± 0.0 %	Rectangular	√ 3	1	1	± 0.0 %	± 0.0 %	∞
Integration time	± 0.0 %	Rectangular	√ 3	1	1	± 0.0 %	± 0.0 %	∞
RF ambient conditions	± 3.0 %	Rectangular	√ 3	1	1	± 1.7 %	± 1.7 %	∞
Probe positioner	± 0.8 %	Rectangular	√ 3	1	1	± 0.5 %	± 0.5 %	∞
Probe positioning	± 6.7 %	Rectangular	√ 3	1	1	± 3.9 %	± 3.9 %	∞
Max. SAR evaluation	± 1.0 %	Rectangular	√ 3	1	1	± 0.6 %	± 0.6 %	∞
<b>Test Sample Related</b>								
Dev. of experimental dipole	± 0.0 %	Rectangular	√ 3	1	1	± 0.0 %	± 0.0 %	∞
Source to liquid distance	± 2.0 %	Rectangular	√ 3	1	1	± 1.2 %	± 1.2 %	∞
Power drift	± 3.4 %	Rectangular	√ 3	1	1	± 2.0 %	± 2.0 %	∞
<b>Phantom and Set-up</b>								
Phantom uncertainty	± 4.0 %	Rectangular	√ 3	1	1	± 2.3 %	± 2.3 %	∞
SAR correction	± 1.9 %	Rectangular	√ 3	1	0.84	± 1.1 %	± 0.9 %	∞
Liquid conductivity (meas.)	± 5.0 %	Normal	1	0.78	0.71	± 3.9 %	± 3.6 %	∞
Liquid permittivity (meas.)	± 5.0 %	Normal	1	0.26	0.26	± 1.3 %	± 1.3 %	∞
Temp. unc. - Conductivity	± 1.7 %	Rectangular	√ 3	0.78	0.71	± 0.8 %	± 0.7 %	∞
Temp. unc. - Permittivity	± 0.3 %	Rectangular	√ 3	0.23	0.26	± 0.0 %	± 0.0 %	∞
<b>Combined Uncertainty</b>						± 10.1 %	± 10.0 %	330
<b>Expanded Std. Uncertainty</b>						± 20.2 %	± 19.9 %	

Table 10: Measurement uncertainties of the System Check with DASY5 (3-6GHz)

Note: Worst case probe calibration uncertainty has been applied for all probes used during the measurements.

### 6.1.12 System check

The system check is performed for verifying the accuracy of the complete measurement system and performance of the software. The system check is performed with tissue equivalent material according to IEEE 1528. The following table shows system check results for all frequency bands and tissue liquids used during the tests (plot(s) see annex A).

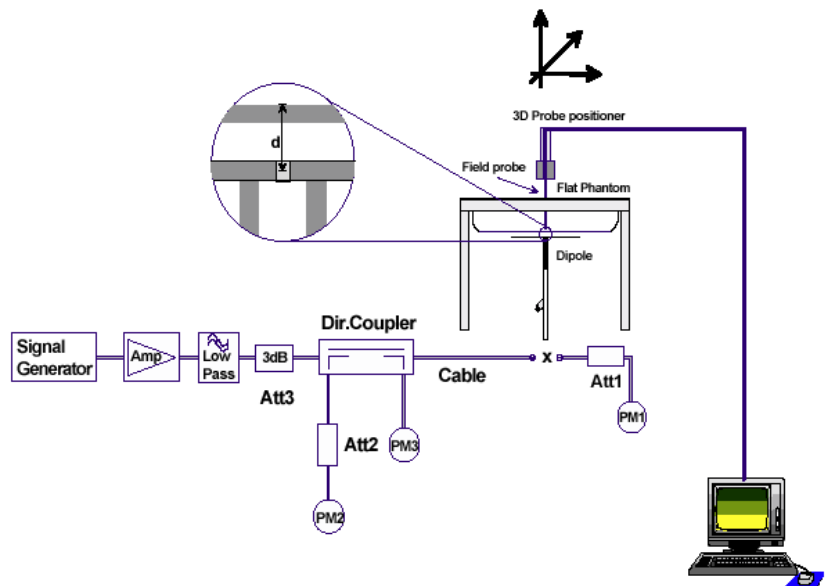
System performance check (1000 mW)								
System validation Kit	Frequency	Target SAR <sub>1g</sub> (+/- 10%)	Target SAR <sub>10g</sub> (+/- 10%)	Measured SAR <sub>1g</sub> mW/g	SAR <sub>1g</sub> dev. %	Measured SAR <sub>10g</sub> mW/g	SAR <sub>10g</sub> dev. %	Measured date
D2450V2 S/N: 710	2450 MHz body	51.20	23.90	51.90	1.4%	23.90	0.0%	2014-01-14
D5GHzV2 S/N: 1055	5200 MHz body	74.20	20.80	74.40	0.3%	21.08	1.3%	2014-01-15
D5GHzV2 S/N: 1055	5500 MHz body	77.90	21.70	85.20	9.4%	23.48	8.2%	2014-01-15
D5GHzV2 S/N: 1055	5800 MHz body	73.30	20.20	69.90	-4.6%	19.48	-3.6%	2014-01-15

Table 11: Results system check



### 6.1.13 System check procedure

The system check is performed by using a validation dipole which is positioned parallel to the planar part of the SAM phantom at the reference point. The distance of the dipole to the SAM phantom is determined by a plexiglass spacer. The dipole is connected to the signal source consisting of signal generator and amplifier via a directional coupler, N-connector cable and adaption to SMA. It is fed with a power of 1000 mW for frequencies below 2 GHz or 100 mW for frequencies above 2 GHz. To adjust this power a power meter is used. The power sensor is connected to the cable before the system check to measure the power at this point and do adjustments at the signal generator. At the outputs of the directional coupler both return loss as well as forward power are controlled during the validation to make sure that emitted power at the dipole is kept constant. This can also be checked by the power drift measurement after the test (result on plot). System check results have to be equal or near the values determined during dipole calibration (target SAR in table above) with the relevant liquids and test system.



### 6.1.14 System validation

The system validation is performed in a similar way as a system check. It needs to be performed once a SAR measurement system has been established and allows an evaluation of the system accuracy with all components used together with the specified system. It has to be repeated at least once a year or when new system components are used (DAE, probe, phantom, dipole, liquid type).

In addition to the procedure used during system check a system validation also includes checks of probe isotropy, probe modulation factor and RF signal.

The following table lists the system validations relevant for this test report:

Probe Calibration Point f / MHz	Test System	DASY SW	Dipole Type / SN	Probe Type / SN	Calibrated signal type(s)	DAE unit Type / SN	Validation done
							Body tissue simulant
2450	Saarbrücken / SAR-1	V52.8.7	D2450V2 / 710	ES3DV3 / 3320	CW	DAE3 / 408	2013-12
5200	Saarbrücken / SAR-1	V52.8.7	D5GHzV2 / 1055	EX3DV4 / 3944	CW	DAE3 / 408	2013-12
5500	Saarbrücken / SAR-1	V52.8.7	D5GHzV2 / 1055	EX3DV4 / 3944	CW	DAE3 / 408	2013-12
5800	Saarbrücken / SAR-1	V52.8.7	D5GHzV2 / 1055	EX3DV4 / 3944	CW	DAE3 / 408	2013-12

Table 12: System validations

## 7 Detailed Test Results

## 8 Conducted power measurements

### 8.1 Conducted power measurements WLAN 2.4 GHz

802.11b		maximum average conducted output power [dBm]			
Band	Ch	1Mbps	2Mbps	5.5Mbps	11Mbps
2450MHz	1	10.1	10.2	10.1	10.0
	6	<b>10.2</b>	10.5	9.9	10.0
	11	10.2	10.4	9.9	10.0

Table 13: Test results conducted power measurement 802.11b

802.11g		maximum average conducted output power [dBm]							
Band	Ch	6Mbps	9Mbps	12Mbps	18Mbps	24Mbps	36Mbps	48Mbps	54Mbps
2450MHz	1	9.4	9.6	9.5	9.4	9.2	9.0	8.5	8.8
	6	9.6	9.5	9.5	9.4	9.0	9.0	8.6	8.7
	11	9.6	9.5	9.5	9.1	9.0	9.0	8.6	8.8

Table 14: Test results conducted power measurement 802.11g

802.11n HT-20		maximum average conducted output power [dBm]							
Band	Ch	MCS-0 6.5Mbps	MCS-1 13Mbps	MCS-2 19.5Mbps	MCS-3 26Mbps	MCS-4 39Mbps	MCS-5 52Mbps	MCS-6 58.5Mbps	MCS-7 65Mbps
2450MHz	1	9.5	9.4	9.3	9.2	9.0	8.8	8.7	8.6
	6	9.3	9.5	9.0	9.2	8.8	8.8	8.7	8.6
	11	9.3	9.4	9.3	9.1	9.1	8.8	8.7	8.5

Table 15: Test results conducted power measurement 802.11n HT-20

## 8.2 Conducted power measurements WLAN 5 GHz

802.11a		maximum average conducted output power [dBm]							
Band [MHz]	Ch	6Mbps	9Mbps	12Mbps	18Mbps	24Mbps	36Mbps	48Mbps	54Mbps
5200	36	10.0	10.2	10.2	10.0	10.1	9.9	9.4	9.6
	40	<b>10.3</b>	9.9	9.9	10.0	9.6	9.6	9.3	9.2
	44	10.1	9.6	10.0	9.8	9.5	9.3	9.2	9.0
	48	9.8	9.7	9.5	9.6	9.3	9.0	8.9	8.7
5300	52	<b>9.7</b>	9.6	9.5	9.4	9.3	8.7	8.9	8.7
	56	9.5	9.5	9.4	9.3	9.2	8.9	8.5	8.7
	60	9.7	9.5	9.5	9.2	9.2	8.9	8.8	8.7
	64	9.6	9.6	9.3	9.3	9.1	9.1	8.7	8.6
5600	100	<b>10.6</b>	10.5	10.2	10.3	10.2	9.9	9.8	9.7
	104	10.5	10.7	10.6	10.2	10.1	9.9	9.8	9.5
	108	10.5	10.4	10.4	10.3	10.1	9.9	9.8	9.7
	112	10.4	10.2	10.2	10.0	9.9	9.8	9.6	9.5
	116	10.4	10.4	10.3	9.9	10.0	9.7	9.5	9.4
	120	10.3	10.1	10.2	10.0	9.9	9.7	9.5	9.3
	124	10.4	10.3	10.0	10.2	10.0	9.7	9.2	9.4
	128	10.1	10.1	10.1	9.9	9.7	9.4	9.6	9.2
	132	10.4	10.2	10.1	10.1	9.7	9.4	9.4	9.2
	136	10.1	9.8	9.7	9.5	9.7	9.5	9.3	9.3
5800	140	10.0	10.0	9.9	9.8	9.8	9.6	9.5	9.4
	149	<b>10.1</b>	10.0	10.0	9.7	9.8	9.6	9.2	9.0
	153	9.9	10.0	10.0	9.6	9.5	9.3	9.3	9.1
	157	9.9	9.8	9.8	9.6	9.8	9.5	9.0	9.3
	161	10.1	10.0	9.6	9.5	9.6	9.4	9.1	9.2
165	10.1	10.0	9.9	9.6	9.7	9.3	9.2	9.0	

Table 16: Test results conducted power measurement 802.11a

802.11n HT-20 / 802.11ac VHT-20										
		maximum average conducted output power [dBm]								
Band [MHz]	Ch	MCS-0 6.5Mbps	MCS-1 13Mbps	MCS-2 19.5Mbps	MCS-3 26Mbps	MCS-4 39Mbps	MCS-5 52Mbps	MCS-6 58.5Mbps	MCS-7 65Mbps	MCS-8 78Mbps
5200	36	9.9	9.8	9.7	9.4	9.0	8.8	8.7	9.0	9.9
	40	9.6	9.4	9.3	9.2	9.0	8.8	8.8	8.7	9.6
	44	9.4	9.2	9.4	9.1	8.8	8.6	8.5	8.4	9.4
	48	9.4	9.3	8.9	9.1	8.6	8.7	8.6	8.1	9.4
5300	52	8.9	8.8	8.6	8.7	8.5	8.3	8.4	8.2	8.9
	56	8.8	8.7	8.6	8.6	8.6	8.2	8.1	8.3	8.8
	60	9.3	9.1	8.9	8.5	8.5	8.3	8.3	8.2	9.3
	64	8.8	9.1	8.5	8.7	8.5	8.4	8.3	8.2	8.8
5600	100	10.0	9.9	9.8	9.7	9.5	9.3	9.3	9.0	10.0
	104	10.1	9.9	9.5	9.6	9.4	9.1	9.3	8.9	10.1
	108	10.0	9.7	9.7	9.6	9.4	9.3	9.2	9.1	10.0
	112	9.7	9.6	9.4	9.5	8.9	9.1	8.6	9.1	9.7
	116	9.9	9.7	9.6	9.4	9.2	9.1	9.0	8.9	9.9
	120	9.5	9.7	9.6	9.4	9.3	9.1	9.0	8.9	9.5
	124	9.6	9.4	9.3	9.6	9.3	9.2	8.9	8.9	9.6
	128	9.7	9.5	9.4	9.2	9.0	8.8	8.8	8.7	9.7
	132	9.7	9.6	9.5	9.4	9.1	9.0	8.8	8.8	9.7
	136	9.5	9.6	9.2	9.2	9.0	8.8	8.8	8.5	9.5
5800	140	9.6	9.5	9.3	9.4	9.1	9.0	8.8	8.6	9.6
	149	9.7	9.6	9.4	9.3	9.1	8.8	8.7	8.5	9.7
	153	9.7	9.5	9.4	9.0	8.7	8.5	8.9	8.4	9.7
	157	9.7	9.3	9.2	9.2	9.0	8.5	8.7	8.4	9.7
	161	9.6	9.5	9.1	9.2	8.8	8.6	8.7	8.5	9.6
	165	9.3	9.2	9.4	9.3	9.0	8.5	8.9	8.7	9.3

Table 17: Test results conducted power measurement 802.11n HT-20 / 802.11ac VHT-20

802.11n HT-40 / 802.11ac VHT-40											
maximum average conducted output power [dBm]											
Band [MHz]	Ch	MCS-0 13.5Mbps	MCS-1 27Mbps	MCS-2 40.5Mbps	MCS-3 54Mbps	MCS-4 81Mbps	MCS-5 108Mbps	MCS-6 121.5Mbps	MCS-7 135Mbps	MCS-8 121.5Mbps	MCS-9 135Mbps
5200	38	9.4	9.2	9.2	8.9	8.5	8.3	8.2	8.1	8.0	7.9
	46	9.2	9.1	8.7	8.4	8.3	8.1	7.7	7.9	7.5	7.8
5300	54	8.9	8.8	8.4	8.4	8.0	7.8	7.5	7.5	7.4	7.3
	62	9.1	8.8	8.4	8.2	7.9	7.6	7.6	7.6	7.5	7.5
5600	102	9.9	9.6	9.4	9.2	8.9	8.7	8.5	8.5	8.3	8.3
	118	9.5	9.3	9.3	9.0	8.6	8.4	8.3	8.2	8.1	8.0
	134	9.3	9.4	9.2	8.7	8.3	8.1	8.0	7.9	7.8	7.8
5800	151	9.2	8.9	8.9	8.6	8.2	8.0	7.9	8.2	7.8	8.0
	159	9.4	9.2	8.9	8.6	8.1	8.4	7.8	7.8	8.0	7.9

Table 18: Test results conducted power measurement 802.11n HT-40 / 802.11ac VHT-40

802.11ac VHT-80											
maximum average conducted output power [dBm]											
Band	Ch	MCS-0 29.3Mbps	MCS-1 58.5Mbps	MCS-2 87.8Mbps	MCS-3 117Mbps	MCS-4 175.5Mbps	MCS-5 234Mbps	MCS-6 263.3Mbps	MCS-7 292.5Mbps	MCS-8 351Mbps	MCS-9 390Mbps
5200	42	9.6	9.4	8.8	8.6	8.4	8.4	7.9	8	8.1	7.6
5300	58	9.8	9.4	9.1	8.7	8.4	8.4	7.9	8	7.8	7.8
5600	106	9.5	9	8.7	8.3	8.1	8.1	7.9	7.7	7.4	7.8
	122	9.4	8.8	8.5	8.3	8.1	8.1	7.7	7.5	7.6	7.6
5800	155	9.4	8.9	8.6	8.6	8.1	8.1	7.8	7.8	7.6	7.5

Table 19: Test results conducted power measurement 802.11ac VHT-80

### 8.3 Standalone SAR Test Exclusion

Standalone SAR test exclusion considerations for <b>Body</b> position					
Communication system	freq. (MHz)	P <sub>avg</sub> * (dBm)	P <sub>avg</sub> * (mW)	threshold <sub>1-g</sub> comparison value	SAR test exclusion
WLAN 2450	2450	11.5	14.1	4.4	no
WLAN 5.2 GHz	5200	11.5	14.1	6.4	no
WLAN 5.3 GHz	5300	11.5	14.1	6.5	no
WLAN 5.6 GHz	5600	11.5	14.1	6.7	no
WLAN 5.8 GHz	5800	11.5	14.1	6.8	no
Bluetooth 2450	2450	9.7	9.3	2.9	yes

Table 20: Standalone SAR test exclusion considerations in **body position 0mm distance**

The **1-g SAR test exclusion thresholds** for 100 MHz to 6 GHz at *test separation distances* ≤ 50 mm are determined by:

$$[(\text{max. power of channel, including tune-up tolerance, mW}) / (\text{min. test separation distance, mm})] \cdot \sqrt{f(\text{GHz})} \leq 3.0 \text{ for 1-g SAR, where:}$$

- f(GHz) is the RF channel transmit frequency in GHz
- Power and distance are rounded to the nearest mW and mm before calculation
- The result is rounded to one decimal place for comparison

When the minimum test separation distance is < 5 mm, a distance of 5 mm is applied to determine SAR test exclusion

#### 8.3.1 SAR measurement positions

SAR measurement positions						
mode	front	rear	left edge	right edge	top edge	bottom edge
WLAN 2450	no	yes	no	no	yes	no
WLAN 5.2 GHz	no	yes	no	no	yes	no
WLAN 5.3 GHz	no	yes	no	no	yes	no
WLAN 5.6 GHz	no	yes	no	no	yes	no
WLAN 5.8 GHz	no	yes	no	no	yes	no

Note:

The distance of the antennas (see Annexe Photo documentation) to all adjacent edges SAR test exclusion for adjacent edges is possible according to KDB 447498 D01v05 chapter 4.3.1 2) or Appendix A/B.

Adjacent edge SAR test exclusion considerations						
Communication system	freq. (MHz)	P <sub>avg</sub> * (dBm)	P <sub>avg</sub> * (mW)	distance (mm)	exclusion threshold <sub>1a</sub> (mW)	SAR test exclusion
WLAN 2450	2450	11.5	<b>14.1</b>	24.9	<b>47.6</b>	yes
WLAN 5.2 GHz	5200	11.5	<b>14.1</b>	24.9	<b>32.7</b>	yes
WLAN 5.3 GHz	5300	11.5	<b>14.1</b>	24.9	<b>32.4</b>	yes
WLAN 5.6 GHz	5600	11.5	<b>14.1</b>	24.9	<b>31.5</b>	yes
WLAN 5.8 GHz	5800	11.5	<b>14.1</b>	24.9	<b>31.0</b>	yes
Bluetooth 2450	2450	9.7	<b>9.3</b>	24.9	<b>47.6</b>	yes

Table 21: Adjacent edge SAR test exclusion considerations

P<sub>avg</sub>\* - maximum possible output power declared by manufacturer

## 8.4 SAR test results

### 8.4.1 Results overview

measured / extrapolated SAR numbers - body worn - WLAN 2450 MHz										
Ch.	Freq. (MHz)	Test condition	dist. (mm)	Position	cond. P <sub>max</sub> (dBm)		SAR <sub>1g</sub> results(W/kg)		SAR <sub>10g</sub> (W/kg)	liquid (°C)
					declared**	measured	measured	extrapolated	measured	
1	2412	1Mbit/s	0	rear	11.5	10.1	0.422	0.583	0.154	20.4
6	2437	1Mbit/s	0	rear	11.5	10.2	0.444	0.599	0.161	20.4
11	2462	1Mbit/s	0	rear	11.5	10.2	<b>0.477</b>	<b>0.643</b>	<b>0.172</b>	20.4
6	2437	1Mbit/s	0	top edge	11.5	10.2	0.087	0.117	0.037	20.4
6	2437	2Mbit/s	0	rear	11.5	10.5	0.439	0.553	0.159	20.4
6	2437	1Mbit/s	0	left	11.5	10.2	0.002	0.002	0.001	20.4

Table 22: Test results body worn SAR WLAN 2450 MHz (see max. SAR plot in Annex B.1: WLAN 2450MHz page 39)

\*\* - maximum possible output power declared by manufacturer

measured / extrapolated SAR numbers - Body worn - WLAN 5 GHz										
Ch.	Freq. (MHz)	Test condition	dist. (mm)	Position	cond. P <sub>max</sub> (dBm)		SAR <sub>1g</sub> results(W/kg)		SAR <sub>10g</sub> (W/kg)	liquid (°C)
					declared**	measured	measured	extrapolated	measured	
40	5200	6Mbit/s	0	rear	11.5	10.3	<b>0.547</b>	<b>0.721</b>	<b>0.162</b>	21.4
52	5260	6Mbit/s	0	rear	11.5	9.7	0.281	0.425	0.085	21.4
100	5500	6Mbit/s	0	rear	11.5	10.6	0.353	0.434	0.077	21.4
149	5745	6Mbit/s	0	rear	11.5	10.1	0.388	0.536	0.073	21.4
40	5200	6Mbit/s	0	top edge	11.5	10.3	0.324	0.427	0.095	21.4
52	5260	6Mbit/s	0	top edge	11.5	9.7	0.273	0.413	0.078	21.4
100	5500	6Mbit/s	0	top edge	11.5	10.6	0.433	0.533	0.106	21.4
149	5745	6Mbit/s	0	top edge	11.5	10.1	0.278	0.384	0.069	21.4

Table 23: Test results body worn SAR WLAN 5 GHz (see max. SAR plot in Annex B.2: WLAN 5GHz page 40)

\*\* - maximum possible output power declared by manufacturer

Estimated stand alone SAR.					
Communication system	freq. (GHz)	distance (mm)	P <sub>avg</sub> ** (dBm)	P <sub>avg</sub> (mW)	estimated <sub>1-g</sub> (W/kg)
Bluetooth 2450	2.45	5	9.7	9.3	0.390

Table 28: Estimated stand alone SAR<sub>max</sub> for Bluetooth 2450MHz body

\*\* - maximum possible output power declared by manufacturer

When standalone SAR test exclusion applies to an antenna that transmits simultaneously with other antennas, the standalone SAR must be estimated according to following to determine simultaneous transmission SAR test exclusion:

(max. power of channel, including **tune-up tolerance**, mW)/(min. test separation distance, mm)·[√f(GHz)/x] W/kg for test separation distances ≤ 50 mm;

where x = 7.5 for 1-g SAR.

When the minimum test separation distance is < 5 mm, a distance of 5 mm is applied to determine SAR test exclusion



### 8.4.2 General description of test procedures

- The DUT is tested using test software to set test channels and maximum output power to the DUT, as well as for measuring the conducted peak power.
- Test positions as described in the tables above are in accordance with the specified test standard.
- Tests in body position were performed in that configuration, which generates the highest time based averaged output power (see conducted power results).
- WLAN was tested in 802.11a/b mode with 1 MBit/s and 6 MBit/s. According to KDB 248227 the SAR testing for 802.11g/n is not required since the maximum power of 802.11g/n is less ¼ dB higher than maximum power of 802.11a/b.
- Required WLAN test channels were selected according to KDB 248227
- According to KDB 447498 D01 testing of other required channels within the operating mode of a frequency band is not required when the reported 1-g or 10-g SAR for the mid-band or highest output power channel is:
  - ≤ 0.8 W/kg or 2.0 W/kg, for 1-g or 10-g respectively, when the transmission band is ≤ 100 MHz
  - ≤ 0.6 W/kg or 1.5 W/kg, for 1-g or 10-g respectively, when the transmission band is between 100 MHz and 200 MHz
  - ≤ 0.4 W/kg or 1.0 W/kg, for 1-g or 10-g respectively, when the transmission band is ≥ 200 MHz
- IEEE 1528-2003 require the middle channel to be tested first. This generally applies to wireless devices that are designed to operate in technologies with tight tolerances for maximum output power variations across channels in the band. When the maximum output power variation across the required test channels is > ½ dB, instead of the middle channel, the highest output power channel must be used.

### 8.4.3 Multiple Transmitter Information

The following tables list information which is relevant for the decision if a simultaneous transmit evaluation is necessary according to FCC KDB 447498D01 General RF Exposure Guidance v05.

reported SAR <b>WLAN 5GHz</b> and <b>Bluetooth 2.4GHz</b> , $\Sigma$ SAR evaluation, SPLSRi						
Frequency band	Position	SARmax /W/kg		$\Sigma$ SAR	distance	ratio
		WWAN	Bluetooth	<1.6W/kg	Ri, mm	≤ 0.040
WLAN 5GHz	rear 0mm	0.721	0.390	1.111		
WLAN 5GHz	top edge 0mm	0.533	0.390	0.923		

Table 24: SAR<sub>max</sub> WLAN 5GHz and **Bluetooth 2450MHz**,  $\Sigma$ SAR evaluation

### Conclusion:

$\Sigma$ SAR < 1.6 W/kg therefore simultaneous transmissions SAR measurement with the enlarged zoom scan measurement and volume scan post-processing procedures is **not** required.

## 9 Test equipment and ancillaries used for tests

To simplify the identification of the test equipment and/or ancillaries which were used, the reporting of the relevant test cases only refer to the test item number as specified in the table below.

Equipment	Type	Manufacturer	Serial No.	Last Calibration	Frequency (months)
Dosimetric E-Field Probe	ES3DV3	Schmid & Partner Engineering AG	3320	June 04, 2013	12
Dosimetric E-Field Probe	EX3DV4	Schmid & Partner Engineering AG	3944	August 02, 2013	12
2450 MHz System Validation Dipole	D2450V2	Schmid & Partner Engineering AG	710	August 13, 2012	24
5 GHz System Validation Dipole	D5GHZV2	Schmid & Partner Engineering AG	1055	August 19, 2013	24
Data acquisition electronics	DAE3V1	Schmid & Partner Engineering AG	408	September 30, 2013	12
Software	DASY52 52.8.7	Schmid & Partner Engineering AG	---	N/A	--
Phantom ELI 4.0	QDOVA0 01BA	Schmid & Partner Engineering AG	1046	N/A	--
Universal Radio Communication Tester	CMU 200	Rohde & Schwarz	106826	January 16, 2013	24
Network Analyser 300 kHz to 6 GHz	8753ES	Hewlett Packard)*	US39174436	February 24, 2012	24
Dielectric Probe Kit	85070C	Hewlett Packard	US99360146	N/A	12
Signal Generator	8671B	Hewlett Packard	2823A00656	January 15, 2013	24
Amplifier	25S1G4 (25 Watt)	Amplifier Research	20452	N/A	--
Power Meter	NRP	Rohde & Schwarz	101367	January 15, 2013	24
Power Meter Sensor	NRP Z22	Rohde & Schwarz	100227	January 14, 2013	12
Power Meter Sensor	NRP Z22	Rohde & Schwarz	100234	January 14, 2013	12
Directional Coupler	778D	Hewlett Packard	19171	January 14, 2013	12

)\* : Network analyzer probe calibration against air, distilled water and a shorting block performed before measuring liquid parameters.

## 10 Observations

No observations exceeding those reported with the single test cases have been made.

## Annex A: System performance check

Date/Time: 14.01.2014 21:40:31

### SystemPerformanceCheck-D2450 body 2014-01-14

**DUT: Dipole 2450 MHz; Type: D2450V2; Serial: 710**

Communication System: UID 0, CW (0); Communication System Band: D2450 (2450.0 MHz); Frequency: 2450 MHz; Communication System PAR: 0 dB; PMF: 1

Medium parameters used:  $f = 2450$  MHz;  $\sigma = 1.96$  S/m;  $\epsilon_r = 52.083$ ;  $\rho = 1000$  kg/m<sup>3</sup>

Phantom section: Flat Section

Measurement Standard: DASYS

DASY5 Configuration:

- Probe: ES3DV3 - SN3320; ConvF(4.36, 4.36, 4.36); Calibrated: 04.06.2013;
- Sensor-Surface: 4mm (Mechanical Surface Detection),  $z = 2.0, 32.0$
- Electronics: DAE3 Sn408; Calibrated: 30.09.2013
- Phantom: ELI 4.0; Type: QDOVA001BA; Serial: 1046
- DASYS52 52.8.7(1137); SEMCAD X 14.6.10(7164)

### MSL2450/d=10mm, Pin=1000 mW, dist=4.0mm/Area Scan (81x81x1):

Interpolated grid:  $dx=1.000$  mm,  $dy=1.000$  mm

Maximum value of SAR (interpolated) = 59.6 W/kg

### MSL2450/d=10mm, Pin=1000 mW, dist=4.0mm/Zoom Scan (7x7x7)/Cube 0:

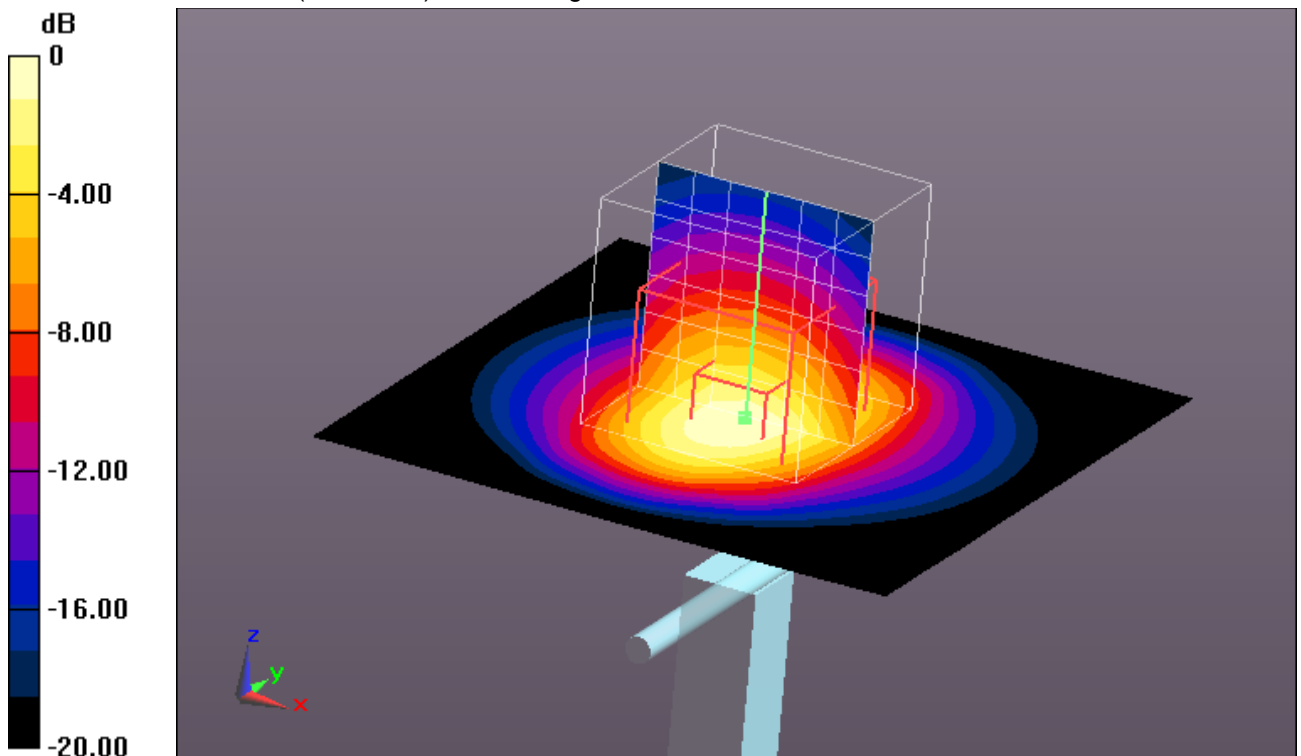
Measurement grid:  $dx=5$ mm,  $dy=5$ mm,  $dz=5$ mm

Reference Value = 175.7 V/m; Power Drift = -0.02 dB

Peak SAR (extrapolated) = 109 W/kg

**SAR(1 g) = 51.9 W/kg; SAR(10 g) = 23.9 W/kg**

Maximum value of SAR (measured) = 59.4 W/kg



0 dB = 59.4 W/kg = 17.74 dBW/kg

#### Additional information:

ambient temperature: 20.4 °C; liquid temperature: 20.4 °C

Date/Time: 15.01.2014 16:27:15

### SystemPerformanceCheck-D5GHz body 2014-01-15

**DUT: Dipole 5 GHz; Type: D5GHzV2; Serial: 1055**

Communication System: UID 0, CW (0); Communication System Band: D5GHz (5000.0 - 6000.0 MHz);

Frequency: 5200 MHz; Communication System PAR: 0 dB; PMF: 1

Medium parameters used:  $f = 5200$  MHz;  $\sigma = 5.172$  S/m;  $\epsilon_r = 48.926$ ;  $\rho = 1000$  kg/m<sup>3</sup>

Phantom section: Flat Section

Measurement Standard: DASYS

DASY5 Configuration:

- Probe: EX3DV4 - SN3944; ConvF(4.47, 4.47, 4.47); Calibrated: 02.08.2013;
- Sensor-Surface: 2mm (Mechanical Surface Detection),  $z = 1.0, 23.0$
- Electronics: DAE3 Sn408; Calibrated: 30.09.2013
- Phantom: ELI 4.0; Type: QDOVA001BA; Serial: 1046
- DASY52 52.8.7(1137); SEMCAD X 14.6.10(7164)

### MSL 5GHz/d=10mm, Pin=250mW 5.2GHz/Area Scan (61x61x1): Interpolated grid:

$dx=1.000$  mm,  $dy=1.000$  mm

Maximum value of SAR (interpolated) = 39.0 W/kg

### MSL 5GHz/d=10mm, Pin=250mW 5.2GHz/Zoom Scan (7x7x12)/Cube 0:

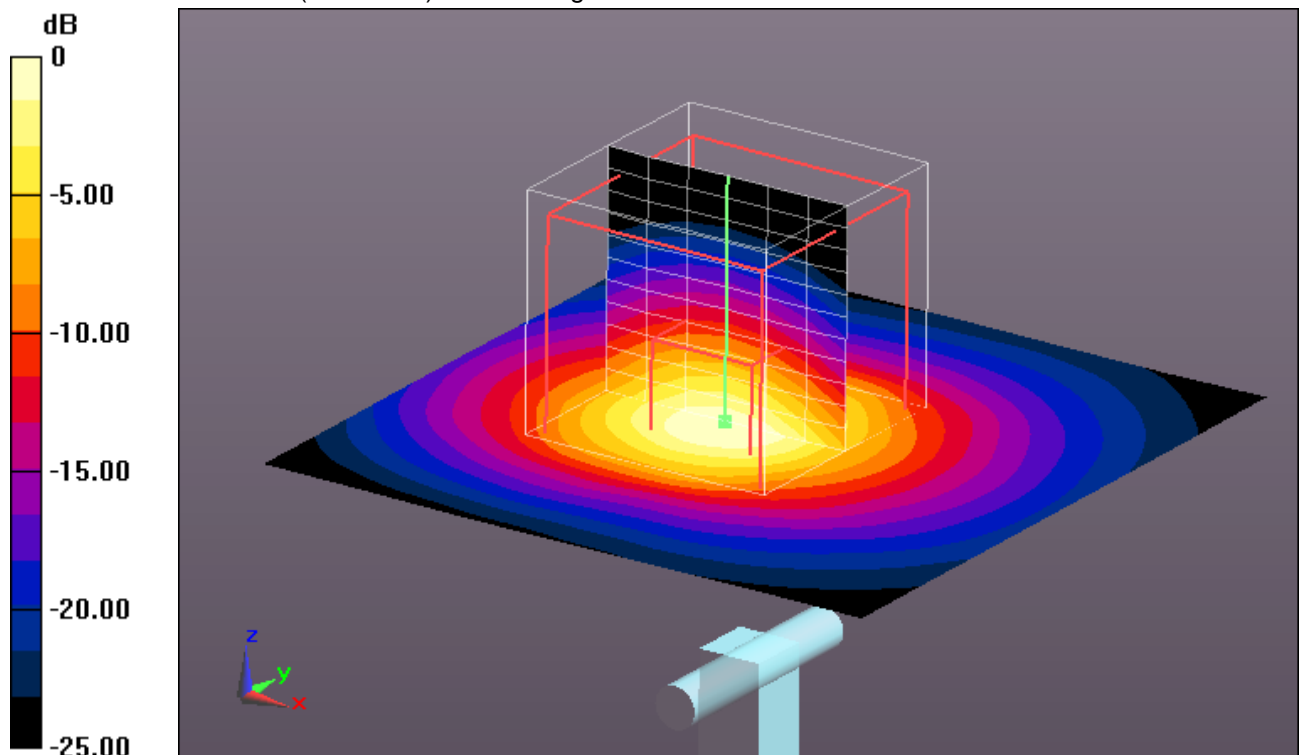
Measurement grid:  $dx=4$ mm,  $dy=4$ mm,  $dz=2$ mm

Reference Value = 87.828 V/m; Power Drift = 0.02 dB

Peak SAR (extrapolated) = 76.5 W/kg

**SAR(1 g) = 18.6 W/kg; SAR(10 g) = 5.27 W/kg**

Maximum value of SAR (measured) = 38.6 W/kg



0 dB = 38.6 W/kg = 15.87 dBW/kg

#### Additional information:

ambient temperature: 21.4 °C; liquid temperature: 21.4 °C

Date/Time: 15.01.2014 17:30:29

### SystemPerformanceCheck-D5GHz body 2014-01-15

**DUT: Dipole 5 GHz; Type: D5GHzV2; Serial: 1055**

Communication System: UID 0, CW (0); Communication System Band: D5GHz (5000.0 - 6000.0 MHz);

Frequency: 5500 MHz; Communication System PAR: 0 dB; PMF: 1

Medium parameters used:  $f = 5500$  MHz;  $\sigma = 5.558$  S/m;  $\epsilon_r = 48.337$ ;  $\rho = 1000$  kg/m<sup>3</sup>

Phantom section: Flat Section

Measurement Standard: DASY5

DASY5 Configuration:

- Probe: EX3DV4 - SN3944; ConvF(4.09, 4.09, 4.09); Calibrated: 02.08.2013;
- Sensor-Surface: 2mm (Mechanical Surface Detection (Locations From Previous Scan Used)), Sensor-Surface: 2mm (Mechanical Surface Detection),  $z = 1.0, 23.0$
- Electronics: DAE3 Sn408; Calibrated: 30.09.2013
- Phantom: ELI 4.0; Type: QDOVA001BA; Serial: 1046
- DASY52 52.8.7(1137); SEMCAD X 14.6.10(7164)

### MSL 5GHz/d=10mm, Pin=250mW 5.5GHz/Area Scan (61x61x1): Interpolated grid:

$dx=1.000$  mm,  $dy=1.000$  mm

Maximum value of SAR (interpolated) = 45.0 W/kg

### MSL 5GHz/d=10mm, Pin=250mW 5.5GHz/Zoom Scan (9x9x12)/Cube 0:

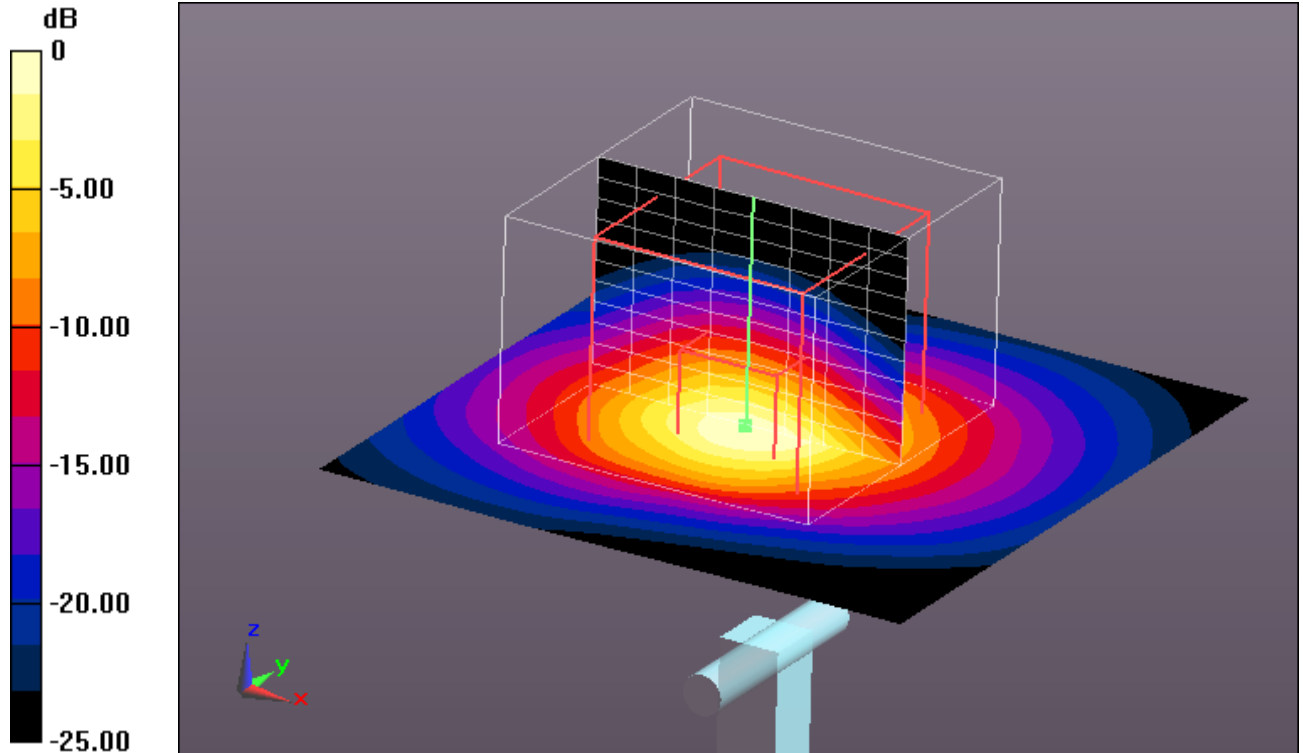
Measurement grid:  $dx=4$ mm,  $dy=4$ mm,  $dz=2$ mm

Reference Value = 91.203 V/m; Power Drift = 0.07 dB

Peak SAR (extrapolated) = 97.0 W/kg

**SAR(1 g) = 21.3 W/kg; SAR(10 g) = 5.87 W/kg**

Maximum value of SAR (measured) = 44.4 W/kg



0 dB = 44.4 W/kg = 16.47 dBW/kg

#### Additional information:

ambient temperature: 21.4 °C; liquid temperature: 21.4 °C

Date/Time: 15.01.2014 18:44:00

### SystemPerformanceCheck-D5GHz body 2014-01-15

**DUT: Dipole 5 GHz; Type: D5GHzV2; Serial: 1055**

Communication System: UID 0, CW (0); Communication System Band: D5GHz (5000.0 - 6000.0 MHz);

Frequency: 5800 MHz; Communication System PAR: 0 dB; PMF: 1

Medium parameters used:  $f = 5800$  MHz;  $\sigma = 5.952$  S/m;  $\epsilon_r = 47.705$ ;  $\rho = 1000$  kg/m<sup>3</sup>

Phantom section: Flat Section

Measurement Standard: DASYS

DASY5 Configuration:

- Probe: EX3DV4 - SN3944; ConvF(4.2, 4.2, 4.2); Calibrated: 02.08.2013;
- Sensor-Surface: 2mm (Mechanical Surface Detection (Locations From Previous Scan Used)), Sensor-Surface: 2mm (Mechanical Surface Detection),  $z = 1.0, 23.0$
- Electronics: DAE3 Sn408; Calibrated: 30.09.2013
- Phantom: ELI 4.0; Type: QDOVA001BA; Serial: 1046
- DASY52 52.8.7(1137); SEMCAD X 14.6.10(7164)

### MSL 5GHz/d=10mm, Pin=250mW 5.8GHz/Area Scan (61x61x1): Interpolated grid:

$dx=1.000$  mm,  $dy=1.000$  mm

Maximum value of SAR (interpolated) = 37.9 W/kg

### MSL 5GHz/d=10mm, Pin=250mW 5.8GHz/Zoom Scan (8x8x12)/Cube 0:

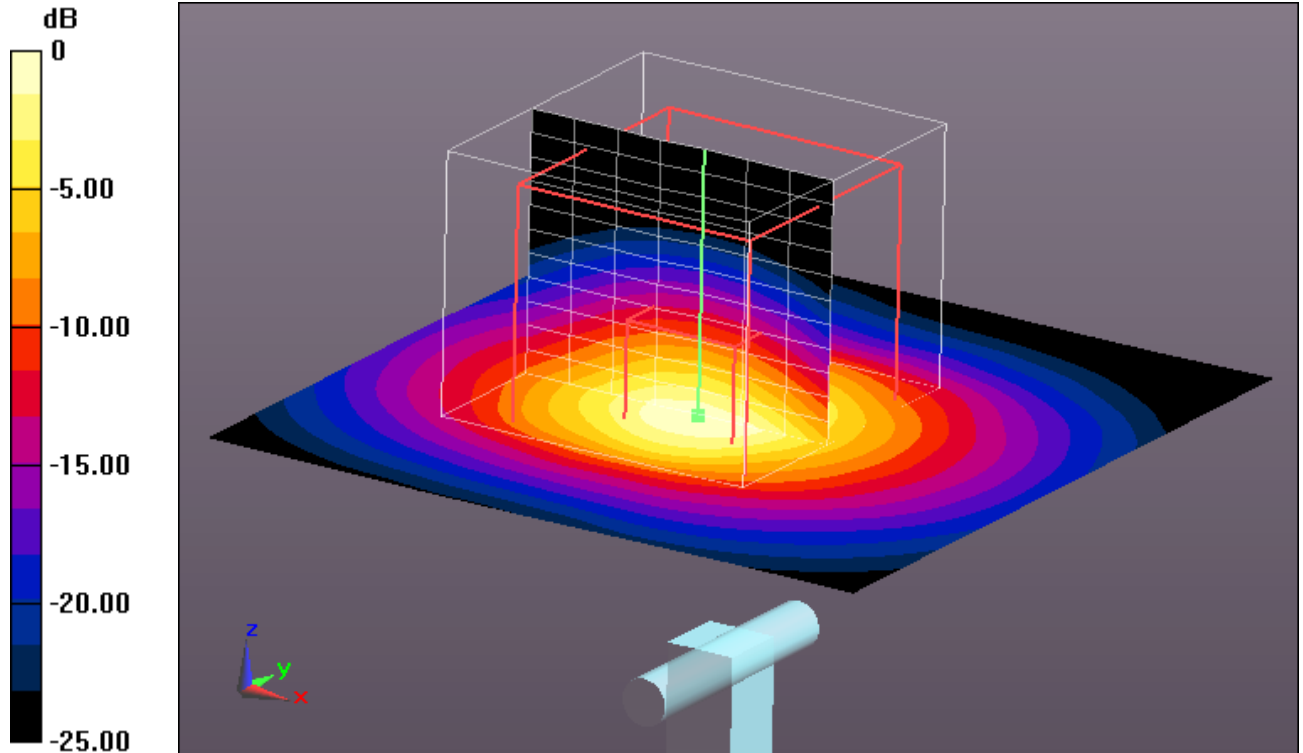
Measurement grid:  $dx=4$ mm,  $dy=4$ mm,  $dz=2$ mm

Reference Value = 82.416 V/m; Power Drift = 0.06 dB

Peak SAR (extrapolated) = 81.4 W/kg

**SAR(1 g) = 17.4 W/kg; SAR(10 g) = 4.87 W/kg**

Maximum value of SAR (measured) = 36.5 W/kg



0 dB = 36.5 W/kg = 15.62 dBW/kg

#### Additional information:

ambient temperature: 21.4 °C; liquid temperature: 21.4 °C

**Annex B: DASY5 measurement results**

SAR plots for **the highest measured SAR** in each exposure configuration, wireless mode and frequency band combination according to FCC KDB 865664 D02

**Annex B.1: WLAN 2450MHz**

Date/Time: 14.01.2014 18:41:07

**FCC\_EN62209-2 WLAN 2450 body**

**DUT: Sony; Serial: CB51268FMT**

Communication System: UID 0, WLAN 2450 (0); Communication System Band: 2.4 GHz; Frequency: 2462 MHz; Communication System PAR: 0 dB; PMF: 1

Medium parameters used:  $f = 2462$  MHz;  $\sigma = 1.979$  S/m;  $\epsilon_r = 52.071$ ;  $\rho = 1000$  kg/m<sup>3</sup>

Phantom section: Flat Section

Measurement Standard: DASY5

DASY5 Configuration:

- Probe: ES3DV3 - SN3320; ConvF(4.36, 4.36, 4.36); Calibrated: 04.06.2013;
- Sensor-Surface: 4mm (Mechanical Surface Detection (Locations From Previous Scan Used)), Sensor-Surface: 4mm (Mechanical Surface Detection),  $z = 2.0, 32.0$
- Electronics: DAE3 Sn408; Calibrated: 30.09.2013
- Phantom: ELI 4.0; Type: QDOVA001BA; Serial: 1046
- DASY52 52.8.7(1137); SEMCAD X 14.6.10(7164)

**MSL2450 - 0mm/Rear Position - High/Area Scan (201x311x1):** Interpolated grid:

$dx=1.000$  mm,  $dy=1.000$  mm

Maximum value of SAR (interpolated) = 0.606 W/kg

**MSL2450 - 0mm/Rear Position - High/Zoom Scan (7x7x7)/Cube 0:** Measurement

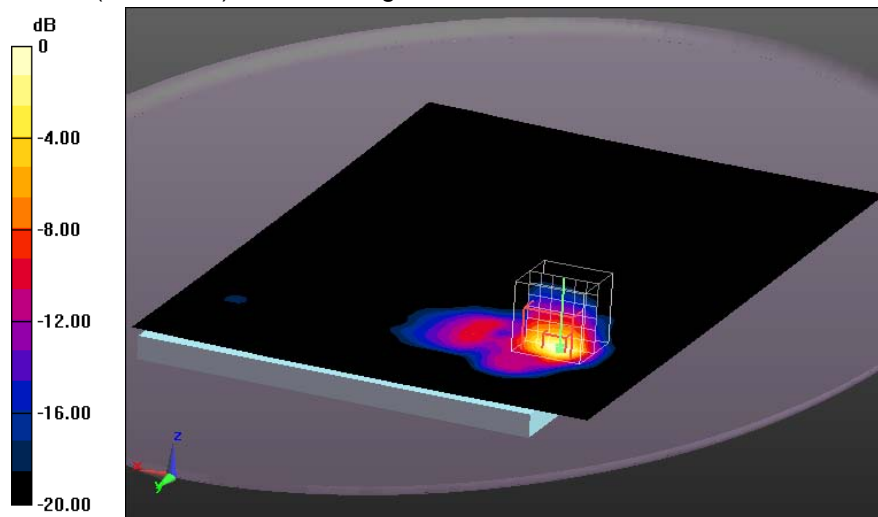
grid:  $dx=5$ mm,  $dy=5$ mm,  $dz=5$ mm

Reference Value = 14.812 V/m; Power Drift = 0.04 dB

Peak SAR (extrapolated) = 1.54 W/kg

**SAR(1 g) = 0.477 W/kg; SAR(10 g) = 0.172 W/kg**

Maximum value of SAR (measured) = 0.553 W/kg



0 dB = 0.553 W/kg = -2.57 dBW/kg

**Additional information:**

position or distance of DUT to SAM: 0 mm

ambient temperature: 20.4 °C; liquid temperature: 20.4 °C



**Annex B.2: WLAN 5GHz**

Date/Time: 15.01.2014 09:08:01

**FCC\_EN62209-2-WLAN5GHz-body**

**DUT: Sony; Serial: CB51268FMT**

Communication System: UID 0, WLAN 5GHz (0); Communication System Band: 5 GHz Band; Frequency: 5200 MHz; Communication System PAR: 0 dB; PMF: 1

Medium parameters used:  $f = 5200 \text{ MHz}$ ;  $\sigma = 5.172 \text{ S/m}$ ;  $\epsilon_r = 48.926$ ;  $\rho = 1000 \text{ kg/m}^3$

Phantom section: Flat Section

Measurement Standard: DASYS

DASY5 Configuration:

- Probe: EX3DV4 - SN3944; ConvF(4.47, 4.47, 4.47); Calibrated: 02.08.2013;
- Sensor-Surface: 2mm (Mechanical Surface Detection),  $z = 1.0, 23.0$
- Electronics: DAE3 Sn408; Calibrated: 30.09.2013
- Phantom: ELI 4.0; Type: QDOVA001BA; Serial: 1046
- DASY52 52.8.7(1137); SEMCAD X 14.6.10(7164)

**MSL5GHz/Rear Position - Ch40/Area Scan (231x311x1):** Interpolated grid:  $dx=1.000$

$mm, dy=1.000 \text{ mm}$

Maximum value of SAR (interpolated) = 1.56 W/kg

**MSL5GHz/Rear Position - Ch40/Zoom Scan (8x9x12)/Cube 0:** Measurement grid:

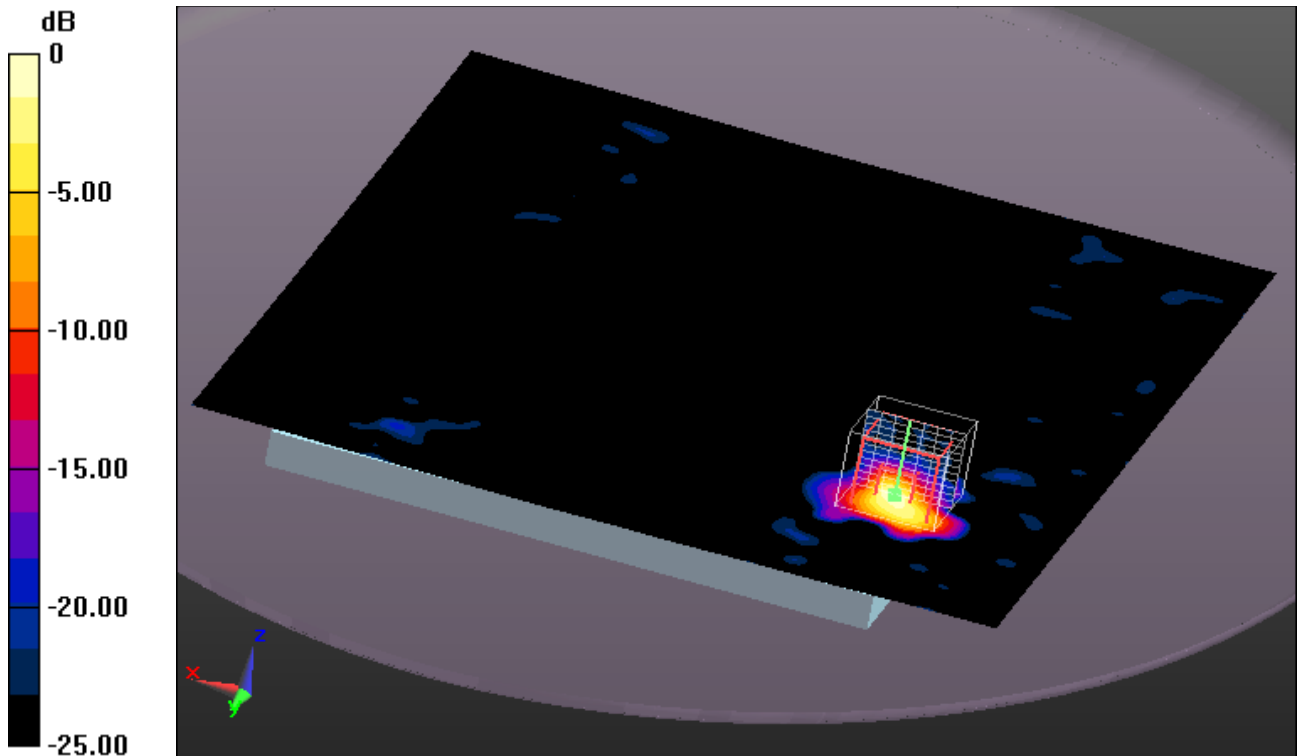
$dx=4mm, dy=4mm, dz=2mm$

Reference Value = 17.922 V/m; Power Drift = -0.08 dB

Peak SAR (extrapolated) = 4.54 W/kg

**SAR(1 g) = 0.547 W/kg; SAR(10 g) = 0.162 W/kg**

Maximum value of SAR (measured) = 1.34 W/kg



0 dB = 1.34 W/kg = 1.27 dBW/kg

**Additional information:**

position or distance of DUT to SAM: 0 mm

ambient temperature: 21.4 °C; liquid temperature: 21.4 °C



**Annex B.3: Liquid depth**

Photo 1: Liquid depth 2450 MHz body simulating liquid

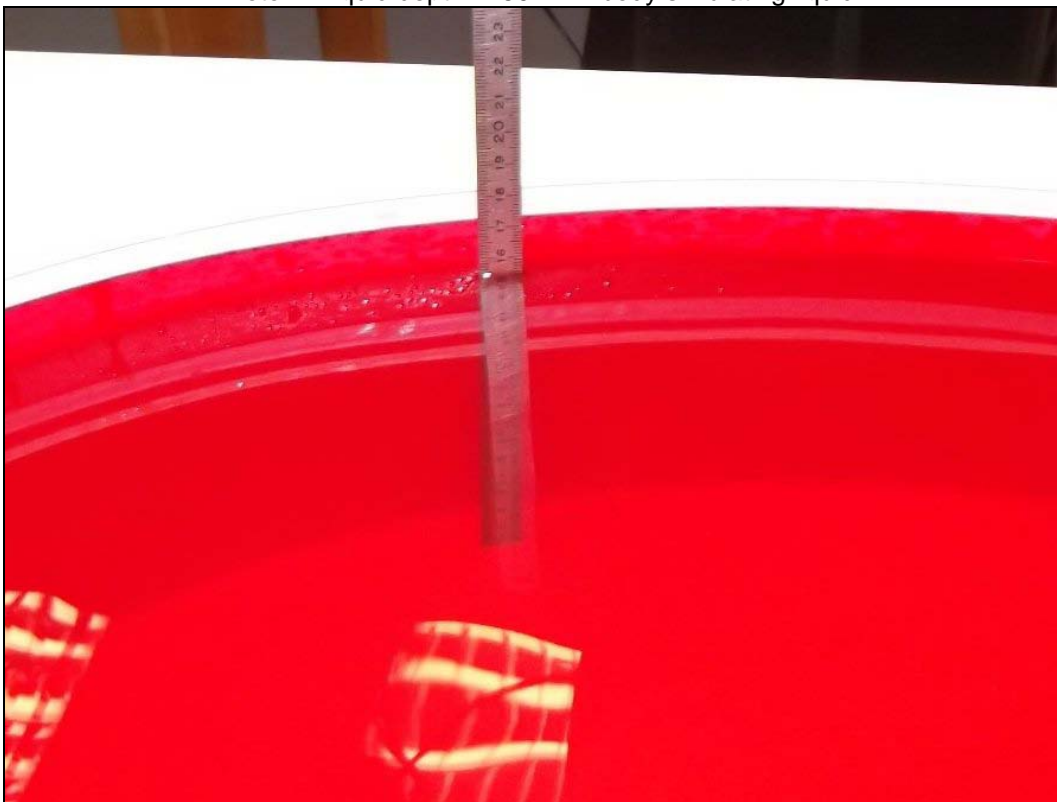
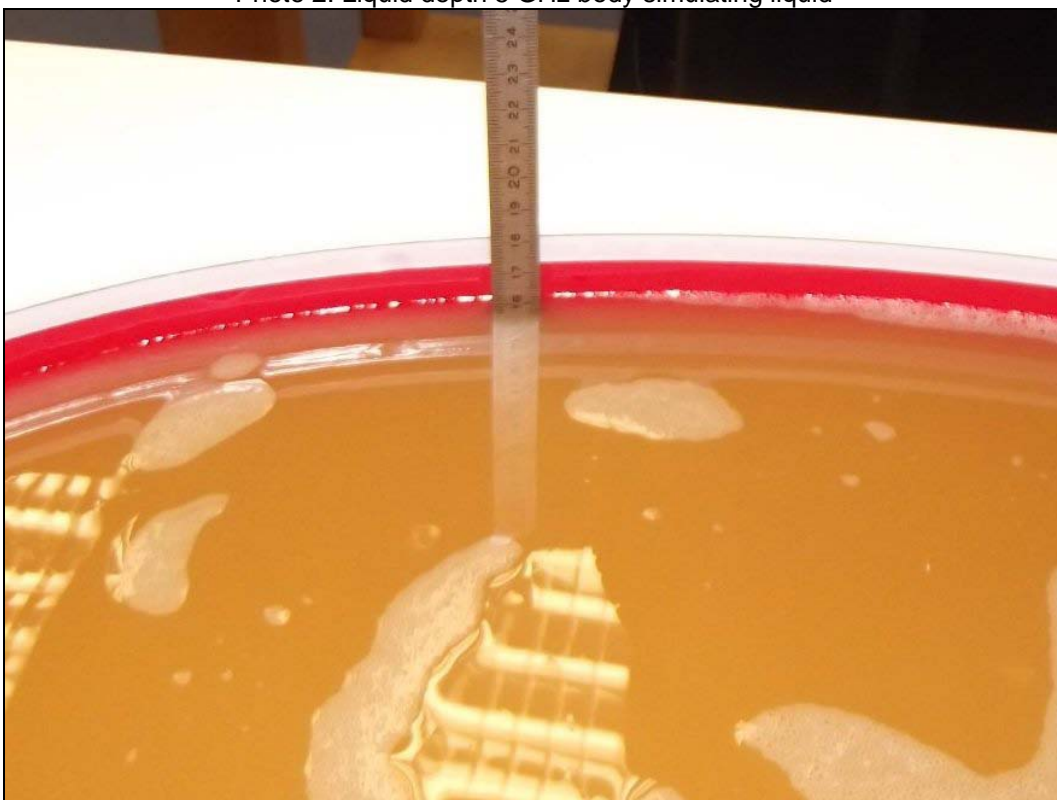


Photo 2: Liquid depth 5 GHz body simulating liquid



## **Annex C: Photo documentation**

Photo documentation is described in the additional document:

### **Appendix to test report no. 1-6965/13-13-02-A Photo documentation**

## **Annex D: Calibration parameters**

Calibration parameters are described in the additional document:

### **Appendix to test report no. 1-6965/13-13-02-A Calibration data, Phantom certificate and detail information of the DASY5 System**

## Annex E: Document History

Version	Applied Changes	Date of Release
	Initial Release	2014-01-27
-A	Remote model name	2014-02-12

## Annex F: Further Information

### Glossary

BW	-	Bandwidth
DTS	-	Distributed Transmission System
DUT	-	Device under Test
EUT	-	Equipment under Test
FCC	-	Federal Communication Commission
FCC ID	-	Company Identifier at FCC
HW	-	Hardware
IC	-	Industry Canada
Inv. No.	-	Inventory number
LTE	-	Long Term Evolution
N/A	-	not applicable
PCE	-	Personal Consumption Expenditure
OET	-	Office of Engineering and Technology
RB	-	resource block(s)
SAR	-	Specific Absorption Rate
S/N	-	Serial Number
SPLSR <sub>i</sub>	-	SAR-to-(peak-locations spacing) ratio
SW	-	Software
UNII	-	Unlicensed National Information Infrastructure