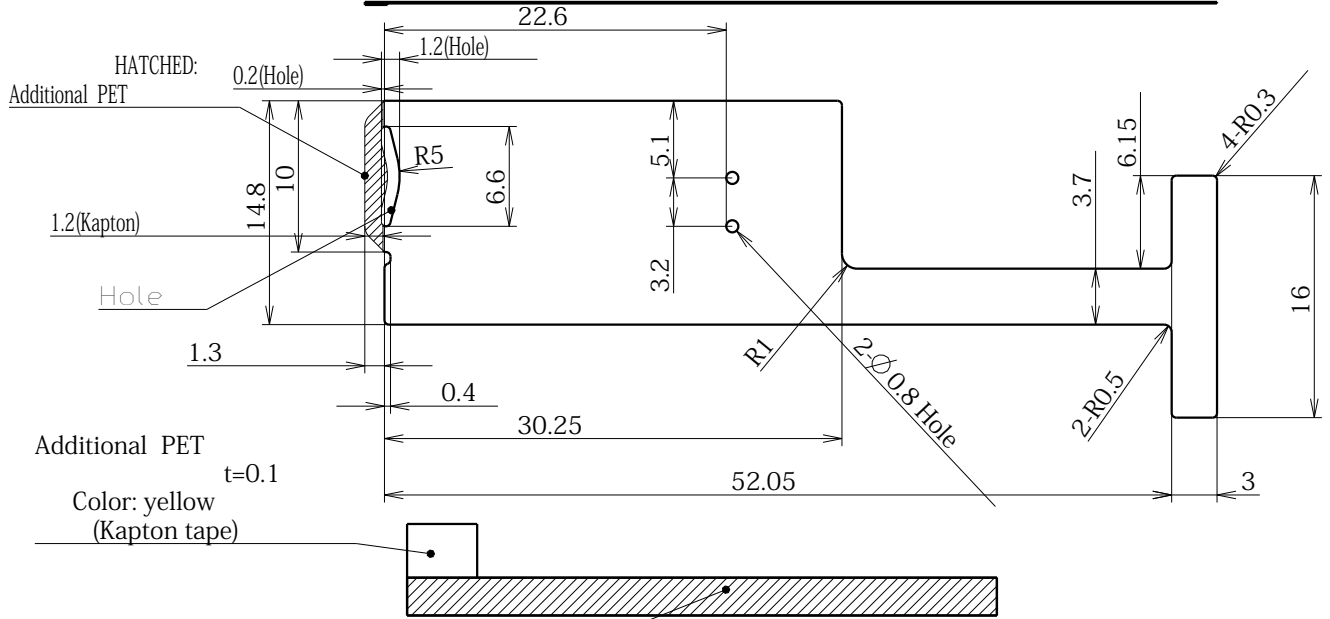
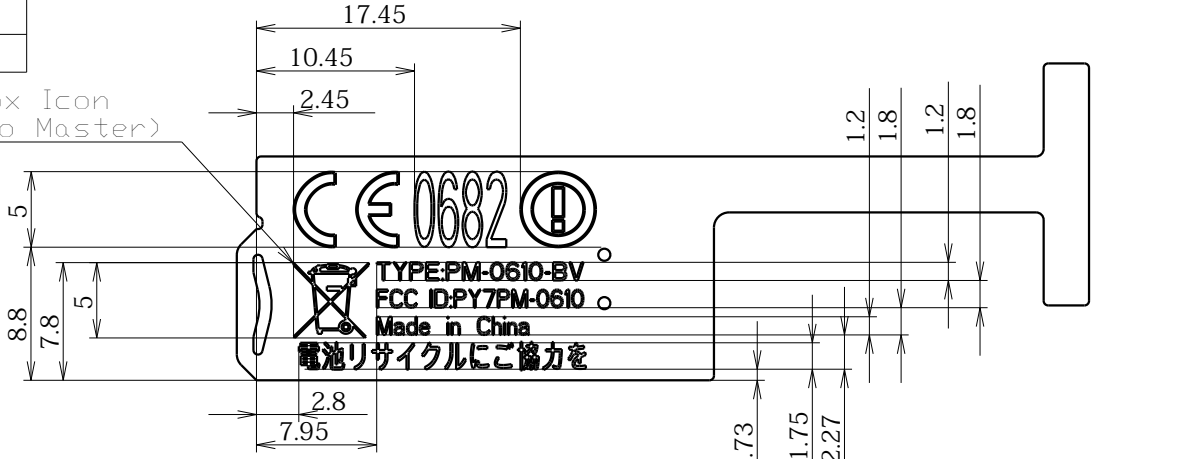


PRODUCT NO.

1275-2857

Trash box Icon  
(Refer to Master)



Note:

- 1) DELIVERY SHOULD BE IN CONDITION OF SHEET
- 2) \* SPVR DIMENSIONS.
- 3) THIS COMPONENT MUST COMPLY TO 1/1056-11/FCP 101 2156 (QUALITY REQUIREMENTS FOR EXTERNAL COMPONENTS) PRIORITYZE 18/155-01-LXE 110-0754 REGARDING RELIABILITY SPECIFICATIONS.
- 4) THIS COMPONENT MUST COMPLY TO 2/1056-11/FCP 101 2156 (QUALITY REQUIREMENTS FOR INTERNAL COMPONENTS)
- 5) THE DOUBLE SIDE ADHESIVE AND THE REMOVABLE SHEET MUST BE PEELED OFF TOGETHER FROM THE LINER COMPLETELY.
- 6) THE DOUBLE SIDE ADHESIVE MUST NOT BE DAMAGED WHEN PEELED OFF FROM THE REMOVABLE SHEET.

E	△×				UNIT mm	TOLERANCE	USED ON
	△×				ANGLE	±0.1	
	△×				SCALE 1:1		
	△×1	4	13.09.06	REVISED (For Confirmation)	Nishimaki	MATERIAL(COLOR) Above	FINISH(COLOR) ---
	△×1	3	13.08.20	REVISED (Change shape)	Nishimaki		
	△×1	2	13.06.28	REVISED (Change shape, material)	Nishimaki	PRODUCT NAME Plate Label	
F	HISTORY X COUNT	SUFFIX REPL.	ECN-NO. DATE	REVISION		DOCUMENT TYPE 1301 Product Spec	
	DRAWN BY SOMC•@Mech Nshimaki 3rd Sep. '13	PLANNED BY SOMC•@Mech Nshimaki 3rd Sep. '13	CHECKED BY	APPROVED BY Amami	MODEL	DOCUMENT NO. 1275-2859	REVISION OF DOCUMENT 1 2 3 4
						SHEET 1 / 1	

THIS DOCUMENT IS THE PROPRIETARY PROPERTY OF SONY MOBILE COMMUNICATIONS. ITS USE IS AUTHORIZED ONLY FOR RESPONDING TO A REQUEST FOR QUOTATION, OR FOR THE PERFORMANCE OF WORK FOR SONY MOBILE COMMUNICATIONS. ALL QUESTIONS MUST BE REFERRED TO THE LOCAL PURCHASING DEPARTMENT OF SONY MOBILE COMMUNICATIONS. THE REPRODUCTION, DISTRIBUTION AND UTILIZATION OF THIS DOCUMENT AS WELL AS THE COMMUNICATION OF ITS CONTENTS TO OTHERS WITHOUT EXPRESS AUTHORIZATION IS PROHIBITED. OFFENDERS WILL BE HELD LIABLE FOR THE PAYMENT OF DAMAGES. ALL RIGHTS RESERVED IN THE EVENT OF THE GRANT OF A PATENT, UTILITY MODEL OR DESIGN. COPYRIGHT RESERVED.

ISSUED '2013 4 17

Model-name: AMM\_PLATE\_LABEL\_AP1

Modified based on F-spec D42