



Prepared (also subject responsible if other)

Leif Hedin (23056584)

Approved

Leif Hedin (23056584)

Checked

Company Internal

MARKING DRAWING LABEL CONTENT

No.

1261-8019

Date

2011-12-12

Rev

1

Reference

5State: Released

IS12S_KDDI_JP, Black, Mobile Phone label content

1 General information

Mobile Phone label part no	<ul style="list-style-type: none"> 1257-0354
Mobile Phone label content part no	<ul style="list-style-type: none"> 1261-8016
Bar code	<ul style="list-style-type: none"> Print quality: according to COSMETIC GUIDELINE – Bar code labels document 1222-6072 Uen Quiet zone: No bar codes are allowed to be closer to a label edge than 2 mm!
Text	If applicable, or nothing else specified, Zebra printer Scaleable Smooth Font CG Triumvirate Bold Condensed is imposed. When needed, the text is adjusted to fit the label.
Coordinates	“(x/y)” under each line number specifies the bottom / left alignment for text, graphics and bar codes, x is measured vertically, and y horizontally from the upper left corner of the label (landscape format), both in mm. When needed, the alignment is adjusted to fit the label.

2 Printing information

	Content	Format
Line 1a (1,8/3,5)	“Do not remove this label” statement in Japanese. “このシールを剥がさないでください”	Graphics, height 1,2 mm. According to 1234-3822
Line 1b (1,8/33,0)	Model Name “SOI12MKA”	Text, height 1,2 mm.
Line 2a (3,5/3,5)	Type number of the phone, “TYPE: AAH-5880016-BV”.	Text, height 1,2 mm. According to Chapter 1 in MLCI.
Line 2b (3,5/18,5)	HW & SW identification field, if applicable; “FFGG”	Text, height 1,2 mm. According to Type-testing report under Product Model Specifying Document
Line 2c (3,5/23,0)	Location code of where the phone is flashed, if applicable, “XXX”	Text, height 1,2 mm.
Line 2d (3,5/33,2)	Product number of the Sales Item in which the phone is packed, if applicable. “SI XXXX-XXXX”	Text, height 1,2 mm
Line 3 (5,5/33,0)	Production date in Japanese (eg: year+ month) : “製造年月 20XX /XX”	Text, height 1,2 mm. Graphics, height 1,4 mm. According to 1234-3763



Company Internal
MARKING DRAWING LABEL CONTENT

Prepared (also subject responsible if other)

Leif Hedin (23056584)

Approved

Leif Hedin (23056584)

Checked

No. 1261-8019

Date

2011-12-12

Rev

1

Reference

5State: Released

Line 4 (6,0/3,5)	Line 4 in bar code, according to line 5a. As desired by supplier (e.g. only actual number).	Bar code, height 2,0 mm. As desired by supplier (e.g. Code 128 symbology). Please copy the Product ID from row 5 to get the correct text.
Line 5a (7,3/3,5)	Product ID and serial number: "SSÖHDXXXXXX"	Text, height 1,2 mm According to POS 500A in BOM. Copy the Product ID from this row to get the correct text. Product ID: SSÖHD Six digits serial number: xxxxxx
Line 5b (7,0/33,0)	Production week (flash), "yyWww" (yy = year, ww = week)	Text, height 1,2 mm.
Line 6 (9,8/33,5)	Actual electronic serial number (IMEI) of the Mobile Phone, "00000000-000000-0"	Text, height 1,2 mm. In the format TAC-SNR-CD. TAC and SNR derived from pos 500 in BOM. CD = check digit according to the Luhn formula (ISO/IEC 7812), GSM 02.16.
Line 7 (10,5/3,5)	Line 7 in bar code, according to line 6 (only actual number, without data identifier).	Bar code, height 3,0 mm. Code 128 symbology, code C subset. If uneven number of digits, code B subset shall be used for the last digit.
Line 8a (12,3/3,5)	Supplier's identification for trace-ability of the telephone, as desired by supplier (e.g. "S/N: nnn...." for serial number).	Text, height 1,2 mm. Defined by supplier.
Line 8b (12,3/31,3)	Marking of origin. "Made in Xxx"; "Xxx" = actual country of production of the included telephone, in English	Text, height 1,2 mm.



Company Internal
MARKING DRAWING LABEL CONTENT

Prepared (also subject responsible if other)

Leif Hedin (23056584)

Approved

Leif Hedin (23056584)

Checked

No. 1261-8019

Date

2011-12-12

Rev

1

Reference

5State: Released

<p>Line 9 (19,5/13,8)</p>	<p>Line 9 in bar code, according to line 10, but without space between serial number and check digits.</p> <p>As desired by supplier (e.g. only actual number).</p> <p>“SSÖHDXXXXXXXX”</p>	<p>Bar code, height 4,0 mm.</p> <p>As desired by supplier (e.g. Code 128 symbology).</p> <p>Please it is important to copy the Product ID from row 10 to get the correct text.</p> <p>Product ID: SSÖHD</p> <p>Six digits serial number and two check digits, without space between: “xxxxxxx”</p> <p>13 characters in total</p>
<p>Line 10 (23,0/13,5)</p>	<p>Product ID and serial number:</p> <p>“SSÖHDXXXXX XX”</p>	<p>Text, height 2,5 mm</p> <p>According to POS 500A in BOM.</p> <p>Copy the Product ID from this row to get the correct text.</p> <p>Product ID: SSÖHD</p> <p>Six digits serial number and two check digits, with space between: “xxxxxx xx”</p> <p>13 characters in total</p>

Prepared (also subject responsible if other)

Leif Hedin (23056584)

Approved

Leif Hedin (23056584)

Checked

Company Internal

MARKING DRAWING LABEL CONTENT

No.

1261-8019

Date

2011-12-12

Rev

1

Reference

5State: Released

3 Layout

The conceptual picture (for Zebra 90Xill printer, or equivalent) should not be considered as specifications, but as an additional help for setting up the label.

3.1 Conceptual picture



double underlined = major changes since last revision.



Prepared by

Shigeru Iwasaki

Contents responsible if other than preparer

Approved by

Phone label design

Abstract

This document contains information on the phone label design required for Japanese approval.

Product name: AAH-5880016-BV

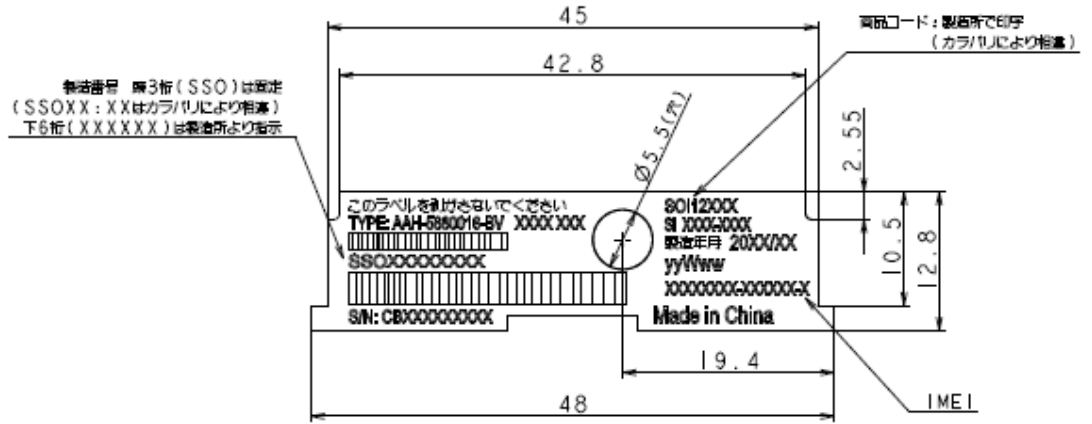
Marketing name: SOI12

Contents

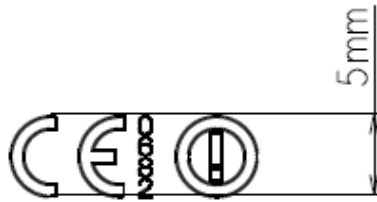
1	Drawing of phone label	2
2	Label placement on phone	3



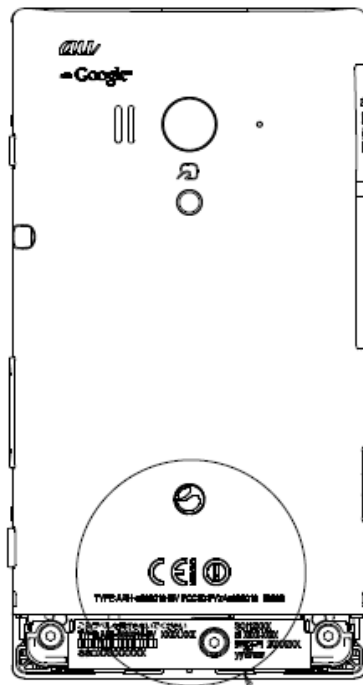
1 Drawing of phone label



CE marking and FCC id



TYPE:AAH-5880016-BV FCC ID:PY7A5880016 IS12S



Electronic Display for Radio Law/Tele Biz Law



2 Label placement on phone

