

TEST REPORT

Test Report No.: 1-2977-19-02/11-A



Testing Laboratory

CETECOM ICT Services GmbH
 Untertürkheimer Straße 6 – 10
 66117 Saarbrücken/Germany
 Phone: + 49 681 5 98 - 0
 Fax: + 49 681 5 98 - 9075
 Internet: <http://www.cetecom.com>
 e-mail: ict@cetecom.com

Accredited Test Laboratory:
 The test laboratory (area of testing) is accredited according to DIN EN ISO/IEC 17025

DAR registration number: DGA-PL-176/94-D1

Applicant

Sony Ericsson Mobile Communications AB
 Nya Vattentornet
 22188 Lund/Sweden

Phone: +46 46 19 30 00

Contact: Johan Wedin
 e-mail: johan.wedin@sonyericsson.com
 Phone: +46 70 71 95 73 6
 Fax: +46 46 19 32 95

Manufacturer

Sony Ericsson Mobile Communications AB
 Nya Vattentornet
 22188 Lund/Sweden

Test Standard/s

IEEE 1528-2003	Recommended Practice for Determining the Peak Spatial-Average Specific Absorption Rate (SAR) in the Human Head from Wireless Communications Devices: Measurement Techniques
OET Bulletin 65 Supplement C	Evaluating Compliance with FCC Guidelines for Human Exposure to Radiofrequency Electromagnetic Fields
RSS-102 Issue 4	Radio Frequency Exposure Compliance of Radiocommunication Apparatus (All Frequency Bands)

For further applied test standards please refer to section 3 of this test report.

Test Item

Kind of test item:	Mobile Phone
Device type:	portable device
Model name:	AAD-3880111-BV
S/N serial number:	CB5A1CHJXX / CB5A1CHJZD (WLAN)
FCC-ID:	PY7A3880111
IC:	4170B-A3880111
IMEI-Number:	00440214237593-4 / 00440214-237655-1 (for WLAN)
Hardware status:	AP1
Software status:	4.0.A.0.110 / 1_0_19_1_b (for WLAN)
Frequency:	see technical details
Antenna:	integrated antenna
Battery option:	BST-41 Li-Polymer battery 3.6V / 1500mAh
Accessories:	stereo headset
Test sample status:	identical prototype
Exposure category:	general population / uncontrolled environment

This test report is electronically signed and valid without handwriting signature. For verification of the electronic signatures, the public keys can be requested at the testing laboratory.

Test Report authorised:

Test performed:




2011-05-13 Thomas Vogler

2011-05-13 Oleksandr Hnatovskiy

1	Table of contents	
1	Table of contents	2
2	General information	3
2.1	Notes	3
2.2	Application details	3
2.3	Statement of compliance	3
2.4	Technical details	4
3	Test standard/s:	5
3.1	RF exposure limits	5
4	Summary of Measurement Results	6
5	Test Environment	6
6	Test Set-up	7
6.1	Measurement system	7
6.1.1	System Description	7
6.1.2	Test environment	8
6.1.3	Probe description	8
6.1.4	Phantom description	9
6.1.5	Device holder description	9
6.1.6	Scanning procedure	10
6.1.7	Spatial Peak SAR Evaluation	11
6.1.8	Data Storage and Evaluation	12
6.1.9	Tissue simulating liquids: dielectric properties	14
6.1.10	Tissue simulating liquids: parameters	15
6.1.11	Measurement uncertainty evaluation for SAR test	16
6.1.12	Measurement uncertainty evaluation for system validation	17
6.1.13	System validation	18
6.1.14	Validation procedure	19
7	Detailed Test Results	20
7.1	Conducted power measurements	20
7.1.1	Conducted power measurements GSM 850 MHz	20
7.1.2	Conducted power measurements GSM 1900 MHz	21
7.1.3	Justification of SAR measurements in GSM mode	21
7.1.4	Conducted power measurements WCDMA FDD V (850 MHz)	22
7.1.5	Conducted power measurements WCDMA FDD II (1900 MHz)	23
7.1.6	Test-set-up information for WCDMA / HSPDA / HSUPA	24
7.1.7	Conducted power measurements WLAN 2.4 GHz	28
7.1.8	Multiple Transmitter Information	28
7.1.9	Mobile hotspot SAR measurement positions	29
7.2	SAR test results	30
7.2.1	Results overview	30
7.2.2	General description of test procedures	35
8	Test equipment and ancillaries used for tests	36
9	Observations	36
Annex A:	System performance verification	37
Annex B:	DASY4 measurement results	53
Annex B.1:	GSM 850MHz head	53

Annex B.2: GSM 850MHz body	77
Annex B.3: GSM 1900MHz head.....	87
Annex B.4: GSM 1900MHz body	113
Annex B.5: WCDMA FDD II 1900MHz head	123
Annex B.6: WCDMA FDD II 1900MHz body.....	147
Annex B.7: WCDMA FDD V 850MHz head.....	159
Annex B.8: WCDMA FDD V 850MHz body	183
Annex B.9: WLAN 2450MHz head.....	193
Annex B.10: WLAN 2450MHz body.....	219
Annex B.11: Z-axis scan	230
Annex B.12: Liquid depth	235
Annex C: Photo documentation	238
Annex D: RF Technical Brief Cover Sheet acc. to RSS-102 Annex A	256
Annex D.13: Declaration of RF Exposure Compliance.....	256
Annex E: Calibration parameters.....	257
Annex F: Document History	257
Annex G: Further Information	257

2 General information

2.1 Notes

The test results of this test report relate exclusively to the test item specified in this test report. CETECOM ICT Services GmbH does not assume responsibility for any conclusions and generalisations drawn from the test results with regard to other specimens or samples of the type of the equipment represented by the test item. The test report may only be reproduced or published in full. Reproduction or publication of extracts from the report requires the prior written approval of CETECOM ICT Services GmbH.

This test report is electronically signed and valid without handwriting signature. For verification of the electronic signatures, the public keys can be requested at the testing laboratory.

2.2 Application details

Date of receipt of order:	2011-03-03
Date of receipt of test item:	2011-03-11
Start of test:	2011-03-14
End of test:	2011-05-12
Person(s) present during the test:	

2.3 Statement of compliance

The SAR values found for the AAD-3880111-BV Mobile Phone are below the maximum recommended levels of 1.6 W/Kg as averaged over any 1 g tissue according to the FCC rule §2.1093, the ANSI/IEEE C 95.1:1999, the NCRP Report Number 86 for uncontrolled environment, according to the Health Canada's Safety Code 6 and the Industry Canada Radio Standards Specification RSS-102 for General Population/Uncontrolled exposure.

According to October 2010 TCB Workshop for body worn operation in WLAN hot spot mode this device has been tested with 10 mm distance to the phantom.

2.4 Technical details

Band tested for this test report	Technology	Frequency band	Lowest transmit frequency/MHz	Highest transmit frequency/MHz	Lowest receive Frequency/MHz	Highest receive Frequency/MHz	Kind of modulation	Power Class	Tested power control level	GPRS/EGPRS mobile station class	GPRS/EGPRS multislots class	(E)GPRS voice mode or DTM	Test channel low	Test channel middle	Test channel high	Maximum output power/dBm)*
<input type="checkbox"/>	GSM	GSM	880.2	914.8	925.2	959.8	GMSK 8-PSK	4 E2	5	B	12	no	975	37	124	---
<input type="checkbox"/>	GSM	DCS	1710.2	1784.8	1805.2	1879.8	GMSK 8-PSK	1 E2	0	B	12	no	512	698	885	---
<input checked="" type="checkbox"/>	GSM	cellular	824.2	848.8	869.2	893.8	GMSK 8-PSK	4 E2	5	B	12	no	128	190	251	32.7
<input checked="" type="checkbox"/>	GSM	PCS	1850.2	1909.8	1930.2	1989.8	GMSK 8-PSK	1 E2	0	B	12	no	512	661	810	30.2
<input type="checkbox"/>	UMTS	FDD I	1922.4	1977.6	2112.4	2167.6	QPSK	3	max	--	--	--	9612	9750	9888	---
<input checked="" type="checkbox"/>	UMTS	FDD II	1852.4	1907.6	1982.4	1987.6	QPSK	3	max	--	--	--	9262	9400	9538	22.28
<input checked="" type="checkbox"/>	UMTS	FDD V	826.4	846.6	871.4	891.6	QPSK	3	max	--	--	--	4132	4182	4233	23.92
<input type="checkbox"/>	UMTS	FDD VI	832.4	837.6	875	885	QPSK	3	max	--	--	--	4162	4175	4188	---
<input type="checkbox"/>	WLAN	ISM	2412	2472	2412	2472	CCK OFDM	--	max	--	--	--	1	7	13	---
<input checked="" type="checkbox"/>	WLAN US	ISM	2412	2462	2412	2462	CCK OFDM	--	max	--	--	--	1	6	11	17.0
<input type="checkbox"/>	BT	ISM	2412	2462	2412	2462	GFSK	3	max	--	--	--	0	39	78	5

)*: slotted peak power for GSM, averaged max. RMS power for UMTS, WLAN and BT.

3 Test standard/s:

Test Standard	Version	Test Standard Description
IEEE 1528-2003	2003-04	Recommended Practice for Determining the Peak Spatial-Average Specific Absorption Rate (SAR) in the Human Head from Wireless Communications Devices: Measurement Techniques
OET Bulletin 65 Supplement C	1997-01 2001-01	Evaluating Compliance with FCC Guidelines for Human Exposure to Radiofrequency Electromagnetic Fields
RSS-102 Issue 4	2010-03	Radio Frequency Exposure Compliance of Radiocommunication Apparatus (All Frequency Bands)
Canada's Safety Code No. 6	99-EHD-237	Limits of Human Exposure to Radiofrequency Electromagnetic Fields in the Frequency Range from 3 kHz to 300 GHz
IEEE Std. C95-3	1991	Recommended Practice for the Measurement of Potentially Hazardous Electromagnetic Fields – RF and Microwave
IEEE Std. C95-1	1999	Standard for Safety Levels with Respect to Human Exposure to Radio Frequency Electromagnetic Fields

3.1 RF exposure limits

Human Exposure	Uncontrolled Environment General Population	Controlled Environment Occupational
Spatial Peak SAR* (Head and Trunk)	1.60 mW/g	8.00 mW/g
Spatial Average SAR** (Whole Body)	0.08 mW/g	0.40 mW/g
Spatial Peak SAR*** (Hands/Feet/Ankle/Wrist)	4.00 mW/g	20.00 mW/g

Table 1: RF exposure limits

The limit applied in this test report is shown in bold letters

Notes:

* The Spatial Peak value of the SAR averaged over any 1 gram of tissue (defined as a tissue volume in the shape of a cube) and over the appropriate averaging time

** The Spatial Average value of the SAR averaged over the whole body.

*** The Spatial Peak value of the SAR averaged over any 10 grams of tissue (defined as a tissue volume in the shape of a cube) and over the appropriate averaging time.

Uncontrolled Environments are defined as locations where there is the exposure of individuals who have no knowledge or control of their exposure.

Controlled Environments are defined as locations where there is exposure that may be incurred by persons who are aware of the potential for exposure, (i.e. as a result of employment or occupation).

4 Summary of Measurement Results

<input checked="" type="checkbox"/>	No deviations from the technical specifications ascertained
<input type="checkbox"/>	Deviations from the technical specifications ascertained

5 Test Environment

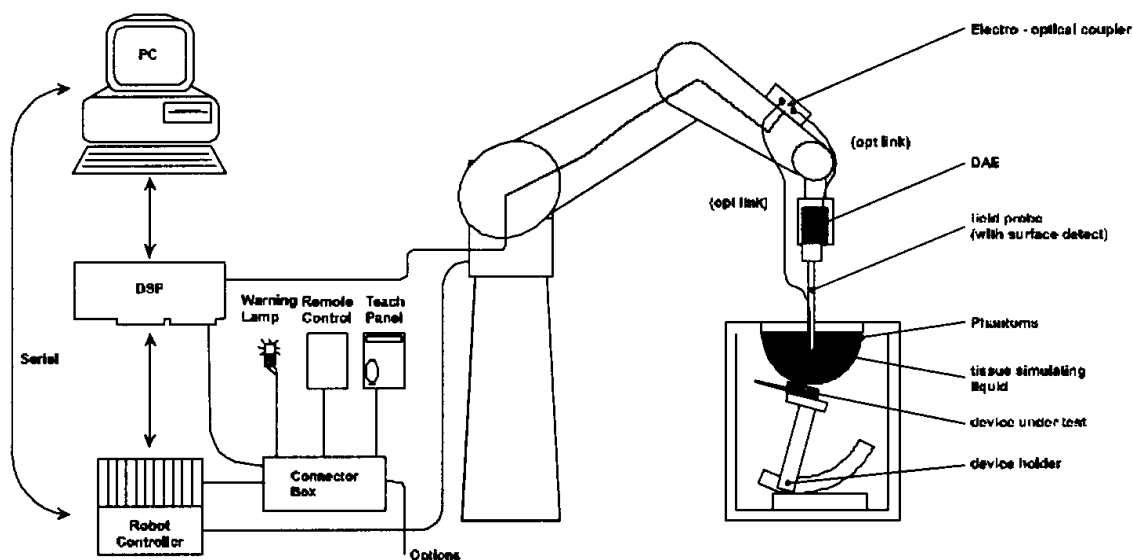
Ambient temperature:	20 – 24 °C
Tissue Simulating liquid:	20 – 24 °C
Relative humidity content:	40 – 50 %
Air pressure:	not relevant for this kind of testing
Power supply:	230 V / 50 Hz

Exact temperature values for each test are shown in the table(s) under 2.5. and/or on the measurement plots.

6 Test Set-up

6.1 Measurement system

6.1.1 System Description



- The DASy4 system for performing compliance tests consists of the following items:
- A standard high precision 6-axis robot (Stäubli RX family) with controller and software. An arm extension for accommodating the data acquisition electronics (DAE).
- A dosimetric probe, i.e. an isotropic E-field probe optimized and calibrated for usage in tissue simulating liquid. The probe is equipped with an optical surface detector system.
- A data acquisition electronic (DAE) which performs the signal amplification, signal multiplexing, AD-conversion, offset measurements, mechanical surface detection, collision detection, etc. The unit is battery powered with standard or rechargeable batteries. The signal is optically transmitted to the EOC.
- A unit to operate the optical surface detector which is connected to the EOC.
- The Electro-Optical Coupler (EOC) performs the conversion from the optical into a digital electric signal of the DAE. The EOC is connected to the DASy4 measurement server.
- The DASy4 measurement server, which performs all real-time data evaluation for field measurements and surface detection, controls robot movements and handles safety operation. A computer operating Windows 2000
- DASy4 software and SEMCAD data evaluation software.
- Remote control with teach panel and additional circuitry for robot safety such as warning lamps, etc.
- The generic twin phantom enabling the testing of left-hand and right-hand usage.
- The device holder for handheld mobile phones.
- Tissue simulating liquid mixed according to the given recipes.
- System validation dipoles allowing to validate the proper functioning of the system.

6.1.2 Test environment

The DASY4 measurement system is placed at the head end of a room with dimensions: 5 x 2.5 x 3 m³, the SAM phantom is placed in a distance of 75 cm from the side walls and 1.1m from the rear wall. Above the test system a 1.5 x 1.5 m² array of pyramid absorbers is installed to reduce reflections from the ceiling.

Picture 1 of the photo documentation shows a complete view of the test environment.

The system allows the measurement of SAR values larger than 0.005 mW/g.

6.1.3 Probe description

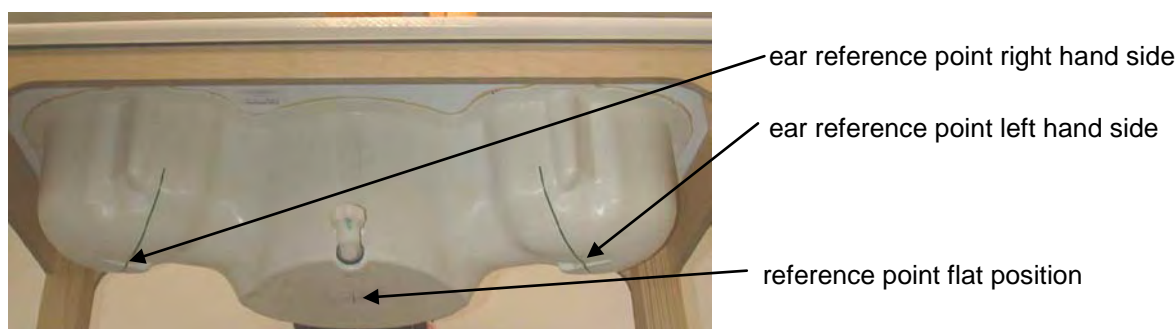
Isotropic E-Field Probe ET3DV6 for Dosimetric Measurements

Technical data according to manufacturer information	
Construction	Symmetrical design with triangular core Built-in optical fiber for surface detection system Built-in shielding against static charges PEEK enclosure material (resistant to organic solvents, e.g., glycoether)
Calibration	In air from 10 MHz to 2.5 GHz In head tissue simulating liquid (HSL) at 900 (800-1000) MHz and 1.8 GHz (1700-1910 MHz) (accuracy $\pm 9.5\%$; $k=2$) Calibration for other liquids and frequencies upon request
Frequency	10 MHz to 3 GHz (dosimetry); Linearity: ± 0.2 dB (30 MHz to 3 GHz)
Directivity	± 0.2 dB in HSL (rotation around probe axis) ± 0.4 dB in HSL (rotation normal to probe axis)
Dynamic range	5 μ W/g to > 100 mW/g; Linearity: ± 0.2 dB
Optical Surface Detection	± 0.2 mm repeatability in air and clear liquids over diffuse reflecting surfaces (ET3DV6 only)
Dimensions	Overall length: 330 mm Tip length: 16 mm Body diameter: 12 mm Tip diameter: 6.8 mm Distance from probe tip to dipole centers: 2.7 mm
Application	General dosimetry up to 3 GHz Compliance tests of mobile phones Fast automatic scanning in arbitrary phantoms (ET3DV6)

6.1.4 Phantom description

The used SAM Phantom meets the requirements specified in Edition 01-01 of Supplement C to OET Bulletin 65 for Specific Absorption Rate (SAR) measurements.

The phantom consists of a fibreglass shell integrated in a wooden table. It allows left-hand and right-hand head as well as body-worn measurements with a maximum liquid depth of 18 cm in head position and 22 cm in planar position (body measurements). The thickness of the Phantom shell is 2 mm +/- 0.1 mm.



6.1.5 Device holder description

The DASY4 device holder has two scales for device rotation (with respect to the body axis) and the device inclination (with respect to the line between the ear openings). The plane between the ear openings and the mouth tip has a rotation angle of 65°. The bottom plate contains three pair of bolts for locking the device holder. The device holder positions are adjusted to the standard measurement positions in the three sections. This device holder is used for standard mobile phones or PDA's only. If necessary an additional support of polystyrene material is used.



Larger DUT's (e.g. notebooks) cannot be tested using this device holder. Instead a support of bigger polystyrene cubes and thin polystyrene plates is used to position the DUT in all relevant positions to find and measure spots with maximum SAR values.

Therefore those devices are normally only tested at the flat part of the SAM.

6.1.6 Scanning procedure

- The DASY4 installation includes predefined files with recommended procedures for measurements and validation. They are read-only document files and destined as fully defined but unmeasured masks. All test positions (head or body-worn) are tested with the same configuration of test steps differing only in the grid definition for the different test positions.
- The „reference“ and „drift“ measurements are located at the beginning and end of the batch process. They measure the field drift at one single point in the liquid over the complete procedure. The indicated drift is mainly the variation of the DUT's output power and should vary max. +/- 5 %.
- The „surface check“ measurement tests the optical surface detection system of the DASY4 system by repeatedly detecting the surface with the optical and mechanical surface detector and comparing the results. The output gives the detecting heights of both systems, the difference between the two systems and the standard deviation of the detection repeatability. Air bubbles or refraction in the liquid due to separation of the sugar-water mixture gives poor repeatability (above $\pm 0.1\text{mm}$). To prevent wrong results tests are only executed when the liquid is free of air bubbles. The difference between the optical surface detection and the actual surface depends on the probe and is specified with each probe. (It does not depend on the surface reflectivity or the probe angle to the surface within $\pm 30^\circ$.)
- The „area scan“ measures the SAR above the DUT or verification dipole on a parallel plane to the surface. It is used to locate the approximate location of the peak SAR with 2D spline interpolation. The robot performs a stepped movement along one grid axis while the local electrical field strength is measured by the probe. The probe is touching the surface of the SAM during acquisition of measurement values. The standard scan uses large grid spacing for faster measurement. Standard grid spacing for head measurements is 15 mm in x- and y- dimension. If a finer resolution is needed, the grid spacing can be reduced. Grid spacing and orientation have no influence on the SAR result. For special applications where the standard scan method does not find the peak SAR within the grid, e.g. mobile phones with flip cover, the grid can be adapted in orientation. Results of this coarse scan are shown in annex 2.
- A „7x7x7 zoom scan“ measures the field in a volume around the 2D peak SAR value acquired in the previous „coarse“ scan. This is a fine 7x7 grid where the robot additionally moves the probe in 7 steps along the z-axis away from the bottom of the Phantom. Grid spacing for the cube measurement is 5 mm in x and y-direction and 5 mm in z-direction. DASY4 is also able to perform repeated zoom scans if more than 1 peak is found during area scan. In this document, the evaluated peak 1g and 10g averaged SAR values are shown in the 2D-graphics in annex 2. Test results relevant for the specified standard (see section 3) are shown in table form in section 7.
- A Z-axis scan measures the total SAR value at the x-and y-position of the maximum SAR value found during the cube 7x7x7 scan. The probe is moved away in z-direction from the bottom of the SAM phantom in 2mm steps. This measurement shows the continuity of the liquid and can - depending in the field strength – also show the liquid depth. A z-axis scan of the measurement with maximum SAR value is shown in annex 2.

6.1.7 Spatial Peak SAR Evaluation

The spatial peak SAR - value for 1 and 10 g is evaluated after the Cube measurements have been done. The basis of the evaluation are the SAR values measured at the points of the fine cube grid consisting of 7 x 7 x 7 points. The algorithm that finds the maximal averaged volume is separated into three different stages.

- The data between the dipole center of the probe and the surface of the phantom are extrapolated. This data cannot be measured since the center of the dipole is 2.7 mm away from the tip of the probe and the distance between the surface and the lowest measuring point is about 1 mm (see probe calibration sheet). The extrapolated data from a cube measurement can be visualized by selecting 'Graph Evaluated'.
- The maximum interpolated value is searched with a straight-forward algorithm. Around this maximum the SAR - values averaged over the spatial volumes (1g or 10 g) are computed using the 3d-spline interpolation algorithm. If the volume cannot be evaluated (i.e., if a part of the grid was cut off by the boundary of the measurement area) the evaluation will be started on the corners of the bottom plane of the cube.
- All neighboring volumes are evaluated until no neighboring volume with a higher average value is found.

Extrapolation

The extrapolation is based on a least square algorithm [W. Gander, Computermathematik, p.168-180]. Through the points in the first 3 cm along the z-axis, polynomials of order four are calculated. These polynomials are then used to evaluate the points between the surface and the probe tip. The points, calculated from the surface, have a distance of 1 mm from each other.

Interpolation

The interpolation of the points is done with a 3d-Spline. The 3d-Spline is composed of three one-dimensional splines with the "Not a knot"-condition [W. Gander, Computermathematik, p.141-150] (x, y and z -direction) [Numerical Recipes in C, Second Edition, p.123ff].

Volume Averaging

At First the size of the cube is calculated. Then the volume is integrated with the trapezoidal algorithm. 8000 points (20x20x20) are interpolated to calculate the average.

Advanced Extrapolation

DASY4 uses the advanced extrapolation option which is able to compensate boundary effects on E-field probes.

6.1.8 Data Storage and Evaluation

Data Storage

The DASY4 software stores the acquired data from the data acquisition electronics as raw data (in microvolt readings from the probe sensors), together with all necessary software parameters for the data evaluation (probe calibration data, liquid parameters and device frequency and modulation data) in measurement files with the extension ".DA4". The software evaluates the desired unit and format for output each time the data is visualized or exported. This allows verification of the complete software setup even after the measurement and allows correction of incorrect parameter settings. For example, if a measurement has been performed with a wrong crest factor parameter in the device setup, the parameter can be corrected afterwards and the data can be re-evaluated.

The measured data can be visualized or exported in different units or formats, depending on the selected probe type ([V/m], [A/m], [°C], [mW/g], [mW/cm²], [dBrel], etc.). Some of these units are not available in certain situations or show meaningless results, e.g., a SAR output in a lossless media will always be zero. Raw data can also be exported to perform the evaluation with other software packages.

Data Evaluation by SEMCAD

The SEMCAD software automatically executes the following procedures to calculate the field units from the microvolt readings at the probe connector. The parameters used in the evaluation are stored in the configuration modules of the software:

Probe parameters:	- Sensitivity	$\text{Norm}_i, a_{i0}, a_{i1}, a_{i2}$
	- Conversion factor	ConvF_i
	- Diode compression point	D_{cpi}
Device parameters:	- Frequency	f
	- Crest factor	cf
Media parameters:	- Conductivity	σ
	- Density	ρ

These parameters must be set correctly in the software. They can be found in the component documents or they can be imported into the software from the configuration files issued for the DASY4 components. In the direct measuring mode of the multimeter option, the parameters of the actual system setup are used. In the scan visualization and export modes, the parameters stored in the corresponding document files are used.

The first step of the evaluation is a linearization of the filtered input signal to account for the compression characteristics of the detector diode. The compensation depends on the input signal, the diode type and the DC-transmission factor from the diode to the evaluation electronics.

If the exciting field is pulsed, the crest factor of the signal must be known to correctly compensate for peak power. The formula for each channel can be given as:

$$V_i = U_i + U_i^2 \cdot cf/dcp_i$$

with V_i = compensated signal of channel i (i = x, y, z)
 U_i = input signal of channel i (i = x, y, z)
 cf = crest factor of exciting field (DASY parameter)
 dcp_i = diode compression point (DASY parameter)

From the compensated input signals the primary field data for each channel can be evaluated:

E-field probes: $E_i = (V_i / Norm_i \cdot ConvF)^{1/2}$

H-field probes: $H_i = (V_i)^{1/2} \cdot (a_{i0} + a_{i1}f + a_{i2}f^2)/f$

with V_i = compensated signal of channel i (i = x, y, z)
 $Norm_i$ = sensor sensitivity of channel i (i = x, y, z)
 [mV/(V/m)²] for E-field Probes
 ConvF = sensitivity enhancement in solution
 a_{ij} = sensor sensitivity factors for H-field probes
 f = carrier frequency [GHz]
 E_i = electric field strength of channel i in V/m
 H_i = magnetic field strength of channel i in A/m

The RSS value of the field components gives the total field strength (Hermitian magnitude):

$$E_{tot} = (E_x^2 + E_y^2 + E_z^2)^{1/2}$$

The primary field data are used to calculate the derived field units.

$$SAR = (E_{tot}^2 \cdot \sigma) / (\rho \cdot 1000)$$

with SAR = local specific absorption rate in mW/g
 E_{tot} = total field strength in V/m
 σ = conductivity in [mho/m] or [Siemens/m]
 ρ = equivalent tissue density in g/cm³

Note that the density is normally set to 1 (or 1.06), to account for actual brain density rather than the density of the simulation liquid. The power flow density is calculated assuming the excitation field to be a free space field.

$$P_{pwe} = E_{tot}^2 / 3770 \quad \text{or} \quad P_{pwe} = H_{tot}^2 \cdot 37.7$$

with P_{pwe} = equivalent power density of a plane wave in mW/cm²
 E_{tot} = total electric field strength in V/m
 H_{tot} = total magnetic field strength in A/m

6.1.9 Tissue simulating liquids: dielectric properties

The following materials are used for producing the tissue-equivalent materials.

(Liquids used for tests described in section 7. are marked with ☒) :

Ingredients (% of weight)	Frequency (MHz)					
	<input type="checkbox"/> 450	<input checked="" type="checkbox"/> 835	<input type="checkbox"/> 900	<input type="checkbox"/> 1800	<input checked="" type="checkbox"/> 1900	<input checked="" type="checkbox"/> 2450
frequency band	<input type="checkbox"/> 450	<input checked="" type="checkbox"/> 835	<input type="checkbox"/> 900	<input type="checkbox"/> 1800	<input checked="" type="checkbox"/> 1900	<input checked="" type="checkbox"/> 2450
Tissue Type	Head	Head	Head	Head	Head	Head
Water	38.56	41.45	40.92	52.64	54.9	62.7
Salt (NaCl)	3.95	1.45	1.48	0.36	0.18	0.5
Sugar	56.32	56.0	56.5	0.0	0.0	0.0
HEC	0.98	1.0	1.0	0.0	0.0	0.0
Bactericide	0.19	0.1	0.1	0.0	0.0	0.0
Triton X-100	0.0	0.0	0.0	0.0	0.0	36.8
DGBE	0.0	0.0	0.0	47.0	44.92	0.0

Table 2: Head tissue dielectric properties

Ingredients (% of weight)	Frequency (MHz)					
	<input type="checkbox"/> 450	<input checked="" type="checkbox"/> 835	<input type="checkbox"/> 900	<input type="checkbox"/> 1800	<input checked="" type="checkbox"/> 1900	<input checked="" type="checkbox"/> 2450
frequency band	<input type="checkbox"/> 450	<input checked="" type="checkbox"/> 835	<input type="checkbox"/> 900	<input type="checkbox"/> 1800	<input checked="" type="checkbox"/> 1900	<input checked="" type="checkbox"/> 2450
Tissue Type	Body	Body	Body	Body	Body	Body
Water	51.16	52.4	56.0	69.91	69.91	73.2
Salt (NaCl)	1.49	1.40	0.76	0.13	0.13	0.04
Sugar	46.78	45.0	41.76	0.0	0.0	0.0
HEC	0.52	1.0	1.21	0.0	0.0	0.0
Bactericide	0.05	0.1	0.27	0.0	0.0	0.0
Triton X-100	0.0	0.0	0.0	0.0	0.0	0.0
DGBE	0.0	0.0	0.0	29.96	29.96	26.7

Table 3: Body tissue dielectric properties

Salt: 99+% Pure Sodium Chloride

Sugar: 98+% Pure Sucrose

Water: De-ionized, 16MΩ+ resistivity

HEC: Hydroxyethyl Cellulose

DGBE: 99+% Di(ethylene glycol) butyl ether, [2-(2-butoxyethoxy)ethanol]

Triton X-100(ultra pure): Polyethylene glycol mono [4-(1,1,3,3-tetramethylbutyl)phenyl]ether

Note: Due to their availability body tissue simulating liquids as defined by FCC OET Bulletin 65 Supplement C are generally used for body worn SAR testing according to European standards.

6.1.10 Tissue simulating liquids: parameters

Used Target Frequency [MHz]	Target Head Tissue		Measured Head Tissue		Measured Date
	Permittivity	Conductivity [S/m]	Permittivity	Conductivity [S/m]	
835	41.5	0.90	42.8	0.91	2011-03-21
900	41.5	0.97	42.0	0.98	2011-03-21
1900	40.0	1.40	39.6	1.41	2011-03-24
2450	39.2	1.80	38.8	1.85	2011-04-06

Table 4: Parameter of the head tissue simulating liquid

Used Target Frequency [MHz]	Target Body Tissue		Measured Body Tissue		Measured Date
	Permittivity	Conductivity [S/m]	Permittivity	Conductivity [S/m]	
835	55.2	0.97	54.8	0.98	2011-03-17
900	55.0	1.05	54.2	1.05	2011-03-17
835	55.2	0.97	55.6	0.95	2011-05-09
900	55.0	1.05	55.0	1.01	2011-05-09
1900	53.3	1.52	52.7	1.53	2011-03-14
1900	53.3	1.52	53.1	1.50	2011-05-12
2450	52.7	1.95	51.7	1.97	2011-04-09

Table 5: Parameter of the body tissue simulating liquid

Note: The dielectric properties have been measured using the contact probe method at 22°C.

6.1.11 Measurement uncertainty evaluation for SAR test

The overall combined measurement uncertainty of the measurement system is $\pm 10.3\%$ ($K=1$).
 The expanded uncertainty ($k=2$) is assessed to be $\pm 20.6\%$
 This measurement uncertainty budget is suggested by IEEE 1528-2003 and determined by Schmid & Partner Engineering AG. The breakdown of the individual uncertainties is as follows:

Error Sources	Uncertainty Value	Probability Distribution	Divisor	c_i 1g	c_i 10g	Standard Uncertainty 1g	Standard Uncertainty 10g	v_i^2 or v_{eff}
Measurement System								
Probe calibration	$\pm 4.8\%$	Normal	1	1	1	$\pm 4.8\%$	$\pm 4.8\%$	∞
Axial isotropy	$\pm 4.7\%$	Rectangular	$\sqrt{3}$	0.7	0.7	$\pm 1.9\%$	$\pm 1.9\%$	∞
Hemispherical isotropy	$\pm 9.6\%$	Rectangular	$\sqrt{3}$	0.7	0.7	$\pm 3.9\%$	$\pm 3.9\%$	∞
Spatial resolution	$\pm 0.0\%$	Rectangular	$\sqrt{3}$	1	1	$\pm 0.0\%$	$\pm 0.0\%$	∞
Boundary effects	$\pm 1.0\%$	Rectangular	$\sqrt{3}$	1	1	$\pm 0.6\%$	$\pm 0.6\%$	∞
Probe linearity	$\pm 4.7\%$	Rectangular	$\sqrt{3}$	1	1	$\pm 2.7\%$	$\pm 2.7\%$	∞
System detection limits	$\pm 1.0\%$	Rectangular	$\sqrt{3}$	1	1	$\pm 0.6\%$	$\pm 0.6\%$	∞
Readout electronics	$\pm 1.0\%$	Normal	1	1	1	$\pm 1.0\%$	$\pm 1.0\%$	∞
Response time	$\pm 0.8\%$	Rectangular	$\sqrt{3}$	1	1	$\pm 0.5\%$	$\pm 0.5\%$	∞
Integration time	$\pm 2.6\%$	Rectangular	$\sqrt{3}$	1	1	$\pm 1.5\%$	$\pm 1.5\%$	∞
RF ambient conditions	$\pm 3.0\%$	Rectangular	$\sqrt{3}$	1	1	$\pm 1.7\%$	$\pm 1.7\%$	∞
Probe positioner	$\pm 0.4\%$	Rectangular	$\sqrt{3}$	1	1	$\pm 0.2\%$	$\pm 0.2\%$	∞
Probe positioning	$\pm 2.9\%$	Rectangular	$\sqrt{3}$	1	1	$\pm 1.7\%$	$\pm 1.7\%$	∞
Max. SAR evaluation	$\pm 1.0\%$	Rectangular	$\sqrt{3}$	1	1	$\pm 0.6\%$	$\pm 0.6\%$	∞
Test Sample Related								
Device positioning	$\pm 2.9\%$	Normal	1	1	1	$\pm 2.9\%$	$\pm 2.9\%$	145
Device holder uncertainty	$\pm 3.6\%$	Normal	1	1	1	$\pm 3.6\%$	$\pm 3.6\%$	5
Power drift	$\pm 5.0\%$	Rectangular	$\sqrt{3}$	1	1	$\pm 2.9\%$	$\pm 2.9\%$	∞
Phantom and Set-up								
Phantom uncertainty	$\pm 4.0\%$	Rectangular	$\sqrt{3}$	1	1	$\pm 2.3\%$	$\pm 2.3\%$	∞
Liquid conductivity (target)	$\pm 5.0\%$	Rectangular	$\sqrt{3}$	0.64	0.43	$\pm 1.8\%$	$\pm 1.2\%$	∞
Liquid conductivity (meas.)	$\pm 2.5\%$	Normal	1	0.64	0.43	$\pm 1.6\%$	$\pm 1.1\%$	∞
Liquid permittivity (target)	$\pm 5.0\%$	Rectangular	$\sqrt{3}$	0.6	0.49	$\pm 1.7\%$	$\pm 1.4\%$	∞
Liquid permittivity (meas.)	$\pm 2.5\%$	Normal	1	0.6	0.49	$\pm 1.5\%$	$\pm 1.2\%$	∞
Combined Uncertainty						$\pm 10.3\%$	$\pm 10.0\%$	330
Expanded Std. Uncertainty						$\pm 20.6\%$	$\pm 20.1\%$	

Table 6: Measurement uncertainties

6.1.12 Measurement uncertainty evaluation for system validation

The overall combined measurement uncertainty of the measurement system is $\pm 8.4\%$ ($K=1$).

The expanded uncertainty ($k=2$) is assessed to be $\pm 16.8\%$

This measurement uncertainty budget is suggested by IEEE 1528-2003 and determined by Schmid & Partner Engineering AG. The breakdown of the individual uncertainties is as follows:

Error Sources	Uncertainty Value	Probability Distribution	Divisor	c_i 1g	c_i 10g	Standard Uncertainty 1g	Standard Uncertainty 10g	v_i^2 or v_{eff}
Measurement System								
Probe calibration	$\pm 4.8\%$	Normal	1	1	1	$\pm 4.8\%$	$\pm 4.8\%$	∞
Axial isotropy	$\pm 4.7\%$	Rectangular	$\sqrt{3}$	0.7	0.7	$\pm 1.9\%$	$\pm 1.9\%$	∞
Hemispherical isotropy	$\pm 0.0\%$	Rectangular	$\sqrt{3}$	0.7	0.7	$\pm 0.0\%$	$\pm 3.9\%$	∞
Boundary effects	$\pm 1.0\%$	Rectangular	$\sqrt{3}$	1	1	$\pm 0.6\%$	$\pm 0.6\%$	∞
Probe linearity	$\pm 4.7\%$	Rectangular	$\sqrt{3}$	1	1	$\pm 2.7\%$	$\pm 2.7\%$	∞
System detection limits	$\pm 1.0\%$	Rectangular	$\sqrt{3}$	1	1	$\pm 0.6\%$	$\pm 0.6\%$	∞
Readout electronics	$\pm 1.0\%$	Normal	1	1	1	$\pm 1.0\%$	$\pm 1.0\%$	∞
Response time	$\pm 0.0\%$	Rectangular	$\sqrt{3}$	1	1	$\pm 0.0\%$	$\pm 0.0\%$	∞
Integration time	$\pm 0.0\%$	Rectangular	$\sqrt{3}$	1	1	$\pm 0.0\%$	$\pm 0.0\%$	∞
RF ambient conditions	$\pm 3.0\%$	Rectangular	$\sqrt{3}$	1	1	$\pm 1.7\%$	$\pm 1.7\%$	∞
Probe positioner	$\pm 0.4\%$	Rectangular	$\sqrt{3}$	1	1	$\pm 0.2\%$	$\pm 0.2\%$	∞
Probe positioning	$\pm 2.9\%$	Rectangular	$\sqrt{3}$	1	1	$\pm 1.7\%$	$\pm 1.7\%$	∞
Max. SAR evaluation	$\pm 1.0\%$	Rectangular	$\sqrt{3}$	1	1	$\pm 0.6\%$	$\pm 0.6\%$	∞
Test Sample Related								
Dipole axis to liquid distance	$\pm 2.0\%$	Normal	1	1	1	$\pm 1.2\%$	$\pm 1.2\%$	∞
Power drift	$\pm 4.7\%$	Rectangular	$\sqrt{3}$	1	1	$\pm 2.7\%$	$\pm 2.7\%$	∞
Phantom and Set-up								
Phantom uncertainty	$\pm 4.0\%$	Rectangular	$\sqrt{3}$	1	1	$\pm 2.3\%$	$\pm 2.3\%$	∞
Liquid conductivity (target)	$\pm 5.0\%$	Rectangular	$\sqrt{3}$	0.64	0.43	$\pm 1.8\%$	$\pm 1.2\%$	∞
Liquid conductivity (meas.)	$\pm 2.5\%$	Normal	1	0.64	0.43	$\pm 1.6\%$	$\pm 1.1\%$	∞
Liquid permittivity (target)	$\pm 5.0\%$	Rectangular	$\sqrt{3}$	0.6	0.49	$\pm 1.7\%$	$\pm 1.4\%$	∞
Liquid permittivity (meas.)	$\pm 2.5\%$	Normal	1	0.6	0.49	$\pm 1.5\%$	$\pm 1.2\%$	∞
Combined Uncertainty						$\pm 8.4\%$	$\pm 8.1\%$	
Expanded Std. Uncertainty						$\pm 16.8\%$	$\pm 16.2\%$	

Table 7: Measurement uncertainties

6.1.13 System validation

The system validation is performed for verifying the accuracy of the complete measurement system and performance of the software. The system validation is performed with tissue equivalent material according to IEEE 1528. The following table shows validation results for all frequency bands and tissue liquids used during the tests (plot(s) see annex A).

Validation Kit	Frequency	Target Peak SAR (1000 mW) (+/- 10%)	Target SAR _{1g} (1000 mW) (+/- 10%)	Measured Peak SAR (1000 mW)	Measured SAR _{1g} (1000 mW)	Measured date
D900V2 S/N: 102	900 MHz head	17.1 mW/g	11.2 mW/g	16.1 mW/g	11.0 mW/g	2011-03-21
D900V2 S/N: 102	900 MHz head	17.1 mW/g	11.2 mW/g	16.7 mW/g	11.2 mW/g	2011-03-22
D900V2 S/N: 102	900 MHz head	17.1 mW/g	11.2 mW/g	16.7 mW/g	11.2 mW/g	2011-03-23
D900V2 S/N: 102	900 MHz head	17.1 mW/g	11.2 mW/g	16.6 mW/g	11.2 mW/g	2011-03-24
D900V2 S/N: 102	900 MHz body	17.3 mW/g	11.3 mW/g	16.2 mW/g	11.3 mW/g	2011-03-17
D900V2 S/N: 102	900 MHz body	17.3 mW/g	11.3 mW/g	16.2 mW/g	11.2 mW/g	2011-03-18
D900V2 S/N: 102	900 MHz body	17.3 mW/g	11.3 mW/g	16.4 mW/g	10.6 mW/g	2011-05-09
D1900V2 S/N: 5d009	1900 MHz head	73.6 mW/g	40.0 mW/g	68.7 mW/g	40.8 mW/g	2011-03-24
D1900V2 S/N: 5d009	1900 MHz head	73.6 mW/g	40.0 mW/g	67.9 mW/g	40.2 mW/g	2011-03-25
D1900V2 S/N: 5d009	1900 MHz head	73.6 mW/g	40.0 mW/g	66.8 mW/g	38.7 mW/g	2011-03-26
D1900V2 S/N: 5d009	1900 MHz body	69.6 mW/g	41.8 mW/g	64.3 mW/g	38.2 mW/g	2011-03-14
D1900V2 S/N: 5d009	1900 MHz body	69.6 mW/g	41.8 mW/g	64.0 mW/g	38.8 mW/g	2011-05-12
D2450V2 S/N: 710	2450 MHz head	112.4 mW/g	51.6 mW/g	113.7 mW/g	53.8 mW/g	2011-04-06
D2450V2 S/N: 710	2450 MHz head	112.4 mW/g	51.6 mW/g	113.8 mW/g	53.2 mW/g	2011-04-07
D2450V2 S/N: 710	2450 MHz body	104.0 mW/g	54.4 mW/g	101.3 mW/g	55.4 mW/g	2011-04-09
D2450V2 S/N: 710	2450 MHz body	104.0 mW/g	54.4 mW/g	107.8 mW/g	53.9 mW/g	2011-04-11

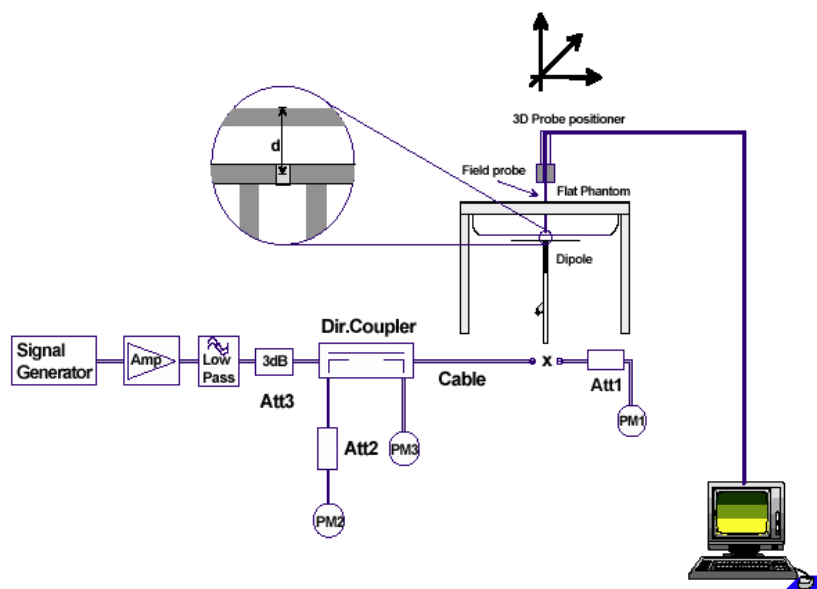
Table 8: Results system validation

Note : 900 MHz probe/dipole calibration is valid +/-100 MHz and fully covers the 850 MHz band.

6.1.14 Validation procedure

The validation is performed by using a validation dipole which is positioned parallel to the planar part of the SAM phantom at the reference point. The distance of the dipole to the SAM phantom is determined by a plexiglass spacer. The dipole is connected to the signal source consisting of signal generator and amplifier via a directional coupler, N-connector cable and adaption to SMA. It is fed with a power of 1000 mW. To adjust this power a power meter is used. The power sensor is connected to the cable before the validation to measure the power at this point and do adjustments at the signal generator. At the outputs of the directional coupler both return loss as well as forward power are controlled during the validation to make sure that emitted power at the dipole is kept constant. This can also be checked by the power drift measurement after the test (result on plot).

Validation results have to be equal or near the values determined during dipole calibration (target SAR in table above) with the relevant liquids and test system.



7 Detailed Test Results

7.1 Conducted power measurements

For the measurements a Rohde & Schwarz Radio Communication Tester CMU 200 was used. The output power was measured using an integrated RF connector and attached RF cable. The conducted output power was also checked before and after each SAR measurement. The resulting power values were within a 0.2 dB tolerance of the values shown below.

Note: CMU200 measures GSM peak and average output power for active timeslots.
For SAR the timebased average power is relevant. The difference inbetween depends on the duty cycle of the TDMA signal :

No. of timeslots	1	2	3	4
Duty Cycle	1 : 8	1: 4	1 : 2.66	1 : 2
timebased avg. power compared to slotted avg. power	- 9 dB	- 6 dB	- 4.25 dB	- 3 dB

The signalling modes differ as follows :

mode	coding scheme	modulation
GPRS	CS1 to CS4	GMSK
EGPRS (EDGE)	MCS1 to MCS4	GMSK
EGPRS (EDGE)	MCS5 to MCS9	8PSK

Apart from modulation change (GMSK/8PSK) coding schemes differ in code rate without influence on the RF signal. Therefore one coding scheme per mode was selected for conducted power measurements.

7.1.1 Conducted power measurements GSM 850 MHz

Channel / frequency	modulation	timeslots	slotted avg. power	time based avg. power (calculated)
128 / 824.2 MHz	GMSK	1	33.0 dBm	24.0 dBm
190 / 836.6 MHz	GMSK	1	33.0 dBm	24.0 dBm
251 / 848.0 MHz	GMSK	1	33.0 dBm	24.0 dBm
128 / 824.2 MHz	GMSK	2	30.6 dBm	24.6 dBm
190 / 836.6 MHz	GMSK	2	30.8 dBm	24.8 dBm
251 / 848.0 MHz	GMSK	2	30.8 dBm	24.8 dBm
128 / 824.2 MHz	GMSK	3	28.9 dBm	24.65 dBm
190 / 836.6 MHz	GMSK	3	29.1 dBm	24.85 dBm
251 / 848.0 MHz	GMSK	3	29.1 dBm	24.85 dBm
128 / 824.2 MHz	GMSK	4	27.0 dBm	24.0 dBm
190 / 836.6 MHz	GMSK	4	27.1 dBm	24.1 dBm
251 / 848.0 MHz	GMSK	4	27.2 dBm	24.2 dBm
128 / 824.2 MHz	8PSK	3	24.2 dBm	19.95 dBm
190 / 836.6 MHz	8PSK	3	24.3 dBm	20.05 dBm
251 / 848.0 MHz	8PSK	3	24.4 dBm	20.15 dBm

Table 9: Test results conducted power measurement GSM 850 MHz

7.1.2 Conducted power measurements GSM 1900 MHz

Channel / frequency	modulation	timeslots	slotted avg. power	time based avg. power (calculated)
512 / 1850.2 MHz	GMSK	1	30.0 dBm	21.0 dBm
661 / 1880.0 MHz	GMSK	1	29.8 dBm	20.8 dBm
810 / 1909.8 MHz	GMSK	1	29.5 dBm	20.5 dBm
512 / 1850.2 MHz	GMSK	2	27.3 dBm	21.3 dBm
661 / 1880.0 MHz	GMSK	2	27.2 dBm	21.2 dBm
810 / 1909.8 MHz	GMSK	2	26.9 dBm	20.9 dBm
512 / 1850.2 MHz	GMSK	3	25.7 dBm	21.45 dBm
661 / 1880.0 MHz	GMSK	3	25.8 dBm	21.55 dBm
810 / 1909.8 MHz	GMSK	3	25.7 dBm	21.45 dBm
512 / 1850.2 MHz	GMSK	4	24.8 dBm	21.8 dBm
661 / 1880.0 MHz	GMSK	4	24.9 dBm	21.9 dBm
810 / 1909.8 MHz	GMSK	4	24.6 dBm	21.6 dBm
512 / 1850.2 MHz	8PSK	4	22.8 dBm	19.8 dBm
661 / 1880.0 MHz	8PSK	4	22.7 dBm	19.7 dBm
810 / 1909.8 MHz	8PSK	4	22.5 dBm	19.5 dBm

Table 10: Test results conducted power measurement GSM 1900 MHz

7.1.3 Justification of SAR measurements in GSM mode

SAR measurements were performed in GPRS mode with 3 active timeslots at GSM850 band and 4 active timeslots at GSM1900 band because highest time based averaged output power was calculated for that configuration.

For comparison an additional delta measurement was performed with 1 timeslot in speech mode. In EDGE mode no delta measurement was performed.

7.1.4 Conducted power measurements WCDMA FDD V (850 MHz)

Max. RMS output power 850 MHz (FDD V) / dBm			
mode	Channel / frequency		
	4132 / 826.4 MHz	4182 / 836.6 MHz	4233 / 846.6 MHz
RMC 12.2 kbit/s	23.79	23.91	23.91
RMC 64 kbit/s	23.77	23.86	23.87
RMC 144 kbit/s	23.78	23.90	23.84
RMC 384 kbit/s	23.71	23.86	23.85
AMR 4,75 kbit/s	23.78	23.89	23.90
AMR 5,15 kbit/s	23.77	23.88	23.85
AMR 5,9 kbit/s	23.78	23.90	23.88
AMR 6,7 kbit/s	23.76	23.90	23.80
AMR 7,4 kbit/s	23.74	23.87	23.82
AMR 7,95 kbit/s	23.76	23.88	23.80
AMR 10,2 kbit/s	23.76	23.90	23.82
AMR 12,2 kbit/s	23.77	23.90	23.87
HSDPA Sub test 1	23.79	23.92	23.90
HSDPA Sub test 2	22.20	22.40	22.30
HSDPA Sub test 3	21.00	21.00	21.00
HSDPA Sub test 4	20.60	20.50	20.70
HSUPA Sub test 1	23.61	23.50	23.61
HSUPA Sub test 2	21.67	21.84	22.10
HSUPA Sub test 3	22.87	22.70	22.78
HSUPA Sub test 4	22.05	22.23	22.28
HSUPA Sub test 5	23.61	23.52	23.62

Table 11: Test results conducted power measurement WCDMA 850

7.1.5 Conducted power measurements WCDMA FDD II (1900 MHz)

Max. RMS output power 1900 MHz (FDD II) / dBm			
mode	Channel / frequency		
	9262 / 1852.4 MHz	9400 / 1880.0 MHz	9538 / 1907.6 MHz
RMC 12.2 kbit/s	22.28	22.27	22.20
RMC 64 kbit/s	22.15	22.23	22.18
RMC 144 kbit/s	22.23	22.24	22.15
RMC 384 kbit/s	22.27	22.26	22.10
AMR 4,75 kbit/s	22.11	22.11	22.11
AMR 5,15 kbit/s	22.16	22.16	22.11
AMR 5,9 kbit/s	22.11	22.11	22.11
AMR 6,7 kbit/s	22.24	22.24	22.11
AMR7,4 kbit/s	22.22	22.20	22.11
AMR 7,95 kbit/s	22.26	22.20	22.13
AMR 10,2 kbit/s	22.15	22.15	22.18
AMR 12,2 kbit/s	22.22	22.20	22.14
HSDPA Sub test 1	22.22	22.21	22.14
HSDPA Sub test 2	20.70	20.60	20.60
HSDPA Sub test 3	19.20	19.20	19.20
HSDPA Sub test 4	19.00	19.00	19.00
HSUPA Sub test 1	21.61	21.66	21.21
HSUPA Sub test 2	20.13	20.18	19.80
HSUPA Sub test 3	21.02	21.17	20.45
HSUPA Sub test 4	20.43	20.32	20.01
HSUPA Sub test 5	21.89	21.84	21.47

Table 12: Test results conducted power measurement WCDMA 1900

Remark: None of the HSDPA/HSUPA settings leads to conducted power values exceeding the conducted power in RMC mode by more than 0.25 dB.

Therefore no additional SAR measurements were performed in HSDPA/HSUPA mode.

7.1.6 Test-set-up information for WCDMA / HSPDA / HSUPA

a) RMC

In RMC (reference measurement channel) mode the conducted power at 4 different bit rates was measured. They correspond with the used spreading factors as follows :

Bit rate	12.2 kbit/s	64 kbit/s	144 kbit/s	384 kbit/s
Spreading factor (SF)	64	16	8	4

In RMC mode only DPCCH and DPDCH are active. As bit rate changes do not influence the relative power of any code channel the measured RMS output power remains on the same level which is set to maximum by TPC (Transmit power control) pattern type 'All 1'.

b) HSDPA

HSDPA adds the HS-DPCCH in uplink as a control channel for high speed data transfer in downlink. In HSDPA mode 4 sub-tests are defined by 3GPP 34.121 according to the following table:

Sub-test	β_c	β_d	β_d (SF)	β_c/β_d	$\beta_{hs}^{(1)}$	CM(dB) ⁽²⁾
1	2/15	15/15	64	2/15	4/15	0.0
2	12/15 ⁽³⁾	15/15 ⁽³⁾	64	12/15 ⁽³⁾	24/15	1.0
3	15/15	8/15	64	15/8	30/15	1.5
4	15/15	4/15	64	15/4	30/15	1.5

Note 1: $\Delta_{ACK}, \Delta_{NACK}, \Delta_{CQI} = 8 \iff A_{hs} = \beta_{hs}/\beta_c = 30/15 \iff \beta_{hs} = 30/15 * \beta_c$

Note 2 : CM = 1 for $\beta_c/\beta_d = 12/15, \beta_{hs}/\beta_c = 24/15$

Note 3 : For subtest 2 the β_c/β_d ratio of 12/15 for the TFC during the measurement period (TF1, TF0) is achieved by setting the signalled gain factors for the reference TFC (TF1,TF1) to $\beta_c = 11/15$ and $\beta_d = 15/15$

Table 13: Sub-tests for UMTS Release 5 HSDPA

The β_c and β_d gain factors for DPCCH and DPDCH were set according to the values in the above table, β_{hs} for HS-DPCCH is set automatically to the correct value when $\Delta_{ACK}, \Delta_{NACK}, \Delta_{CQI} = 8$. The variation of the β_c/β_d ratio causes a power reduction at sub-tests 2 - 4.

The measurements were performed with a Fixed Reference Channel(FRC) and H-Set 1 QPSK.

Parameter	Value
Nominal average inf. bit rate	534 kbit/s
Inter-TTI Distance	3 TTI's
Number of HARQ Processes	2 Processes
Information Bit Payload	3202 Bits
MAC-d PDU size	336 Bits
Number Code Blocks	1 Block
Binary Channel Bits Per TTI	4800 Bits
Total Available SMLs in UE	19200 SMLs
Number of SMLs per HARQ Process	9600 SMLs
Coding Rate	0.67
Number of Physical Channel Codes	5

Table 14: settings of required H-Set 1 QPSK acc. to 3GPP 34.121

c) HSUPA

In HSUPA mode additional code channels (E-DPCCH, E-DPDCHn) are added for data transfer in uplink at higher bit rates.

5 sub-tests are defined by 3GPP 34.121 according to the following table :

Sub-test	β_c	β_d	β_d (SF)	β_c/β_d	$\beta_{hs}^{(1)}$	β_{ec}	β_{ed}	β_{ec} (SF)	β_{ed} (code)	CM ⁽²⁾ (dB)	MPR (dB)	AG ⁽⁴⁾ Index	E-TFCI
1	11/15 ⁽³⁾	15/15 ⁽³⁾	64	11/15 ⁽³⁾	22/15	209/225	1039/225	4	1	1.0	0.0	20	75
2	6/15	15/15	64	6/15	12/15	12/15	94/75	4	1	3.0	2.0	12	67
3	15/15	9/15	64	15/9	30/15	30/15	$\beta_{ed1}:47/15$ $\beta_{ed2}:47/15$	4	2	2.0	1.0	15	92
4	2/15	15/15	64	2/15	4/15	2/15	56/75	4	1	3.0	2.0	17	71
5	15/15 ⁽⁴⁾	15/15 ⁽⁴⁾	64	15/15 ⁽⁴⁾	30/15	24/15	134/15	4	1	1.0	0.0	21	81

Note 1: $\Delta_{ACK}, \Delta_{NACK}, \Delta_{CQI} = 8 \iff A_{hs} = \beta_{hs}/\beta_c = 30/15 \iff \beta_{hs} = 30/15 * \beta_c$
 Note 2 : CM = 1 for $\beta_c/\beta_d = 12/15, \beta_{hs}/\beta_c = 24/15$. For all other combinations of DPDCH, DPCCH, HS-DPCCH, E-DPDCH and E-DPCCH the MPR is based on the relative CM difference
 Note 3 : For subtest 1 the β_c/β_d ratio of 11/15 for the TFC during the measurement period (TF1, TF0) is achieved by setting the signalled gain factors for the reference TFC (TF1,TF1) to $\beta_c = 10/15$ and $\beta_d = 15/15$
 Note 4 : For subtest 5 the β_c/β_d ratio of 15/15 for the TFC during the measurement period (TF1, TF0) is achieved by setting the signalled gain factors for the reference TFC (TF1,TF1) to $\beta_c = 14/15$ and $\beta_d = 15/15$
 Note 5 : Testing UE using E-DPDCH Physical Layer category 1 Sub-test 3 is not required according to TS 25.306 Table 5.1g
 Note 6 : β_{ed} can not be set directly; it is set by Absolute Grant Value

Table 15: Subtests for UMTS Release 6 HSUPA

To achieve the settings above some additional procedures were defined by 3GPP 34.121. Those have been included in an application note for the CMU200 and were exactly followed:

- Test mode connection (BS signal tab) :
RMC 12.2 kbit/s + HSPA 34.108 with loop mode 1
- HS-DSCH settings (BS signal tab):
- FRC with H-set 1 QPSK
- ACK-NACK repetition factor = 3
- CQI feedback cycle = 4ms
- CQI repetition factor = 2
- HSUPA-specific signalling settings (UE signal tab) :
- E-TFCI table index = 0
- E-DCH minimum set E-TFCI = 9
- Puncturing limit non-max = 0.84
- max. number of channelisation codes = 2x SF4
- Initial Serving Grant Value = Off
- HSDPA and HSUPA Gain factors (UE signal tab)

Sub-test	β_c	β_d	$\Delta_{ACK}, \Delta_{NACK}, \Delta_{CQI}$	$\Delta E-DPCCH$)*
1	10	15	8	6
2	6	15	8	8
3	15	9	8	8
4	2	15	8	5
5	14	15	8	7

)* : β_{ec} and β_{ed} ratios (relative to β_c and β_d) are set by $\Delta E-DPCCH$

- HSUPA Reference E-TFCIs (UE signal tab > HSUPA gain factors) :

Sub-test	1, 2, 4, 5				
Number of E-TFCIs	5				
Reference E-TFCI	11	67	71	75	81
Reference E-TFCI power offset	4	18	23	26	27

Sub-test	3	
Number of E-TFCIs	2	
Reference E-TFCI	11	92
Reference E-TFCI power offset	4	18

- HSUPA-specific generator parameters (BS Signal tab > HSUPA > E-AGCH > AG Pattern)

Sub-test	Absolute Grant Value (AG Index)
1	20
2	12
3	15
4	17
5	21

- Power Level settings (BS Signal tab > Node B-settings):
- Level reference : Output Channel Power (lor)
- Output Channel Power (lor) : -86 dBm

- Downlink Physical Channel Settings (BS signal tab)
- P-CPICH : -10 dB
- S-CPICH : Off
- P-SCH : -15 dB
- S-SCH : -15 dB
- P-CCPCH : -12 dB
- S-CCPCH : -12 dB
- PICH : -15 dB
- AICH : -12 dB
- DPDCH : -10 dB
- HS-SCCH : -8 dB
- HS-PDSCH : -3 dB
- E-AGCH : -20 dB
- E-RGCH/E-HICH - 20 dB
- E-RGCH Active : Off

The settings above were stored once for each sub-test and recalled before the measurement.

HSUPA test procedure :

To reach maximum output power in HSUPA mode the following procedures were followed:

3 different TPC patterns were defined :

Set 1 : Closed loop with target power 10 dBm

Set 2 : Single Pattern+Alternating with binary pattern '11111' for 1 dB steps 'up'

Set 3 : Single Pattern+Alternating with binary pattern '00000' for 1 dB steps 'down'

After recalling a certain HSUPA sub-test the HSUPA E-AGCH graph with E-TFCI event counter is displayed. After starting with the closed loop command the power is increased in 1 dB steps by activating pattern set 2 until the UE decreases the transmitted E-TFCI.

At this point set 3 is activated once to reduce the output power to the value at which the original E-TFCI, which is required for the sub-test, appears again.

For conducted power measurements the same steps are repeated in the power menu to read out the corresponding maximum RMS output power with the target E-TFCI.

For SAR measurements it is useful to switch to Code Domain Power vs. Time display.

Here the CMU200 shows relative power values (max. and min.) of each code channel which should roughly correspond to the numerators of the gain factors e.g. :

Sub-test	β_c	β_d	β_{hs}	β_{ec}	β_{ed}
5	15	15	30	24	134

By this way a surveillance of signalling conditions is possible to make sure that HSUPA code channels are active during the complete SAR measurement.

7.1.7 Conducted power measurements WLAN 2.4 GHz

Channel / frequency	modulation	bit rate	timebased avg. power
1 / 2412 MHz	CCK	1 MBit/s	16.7 dBm
6 / 2437 MHz	CCK	1 MBit/s	17.0 dBm
11 / 2462 MHz	CCK	1 MBit/s	16.6 dBm
1 / 2412 MHz	OFDM	6 MBit/s	16.0 dBm
6 / 2437 MHz	OFDM	6 MBit/s	15.9 dBm
11 / 2462 MHz	OFDM	6 MBit/s	16.0 dBm

Table 16: Test results conducted power measurement WLAN 2.4 GHz

7.1.8 Multiple Transmitter Information

The following tables list information which is relevant for the decision if a simultaneous transmit evaluation is necessary according to KDB 648474.

important abbreviations:

SPLSR: Antenna pair SAR to Peak Location Separation Ratio $(SAR_x + SAR_y)/L_{xy}$

P_{ref} : 12 mW at 2.4 GHz

Minimum antenna separation distance between main antenna and WLAN – **59.6 mm**

a) head position

Tx No.	Communication system and frequency band	P_{avg} (mW)	single SAR (W/kg) (see ch. 7.2)	remarks
1a	GSM 850 MHz	250	0.606	routine evaluation
1b	GSM 1900 MHz	125	0.926	routine evaluation
1c	FDD V 850 MHz	250	0.731	routine evaluation
1d	FDD II 1900 MHz	250	1.030	routine evaluation
2a	WLAN 2450 MHz	50	0.264	routine evaluation
2b	Bluetooth 2450 MHz	7	:=0	$P_2 < P_{ref}$
Sum of all 1g-SAR values			n/a	

Table 17: Communication systems and SAR values in head position

antenna pair (x,y)	peak-locations spacing L_{xy} (cm)	Σ 1g-SAR (W/kg)	SPLSR _{xy}	sim.-Tx SAR	remarks
(1a,2a)	8.15	0.746	0.09	N	$SPLSR_{xy} < 0.3$ and $\Sigma SAR < 1.6$ W/kg
(1b,2a)	8.50	1.066	0.13	N	$SPLSR_{xy} < 0.3$ and $\Sigma SAR < 1.6$ W/kg
(1c,2a)	8.12	0.871	0.12	N	$SPLSR_{xy} < 0.3$ and $\Sigma SAR < 1.6$ W/kg
(1d,2a)	1.93	1.149	0.16	N	$SPLSR_{xy} < 0.3$ and $\Sigma SAR < 1.6$ W/kg

Table 18: Antenna distances and SPLSR evaluation in head position

$SPLSR_{xy} = SAR\text{-to-(peak-locations spacing) ratio} = (SAR_x + SAR_y)/L_{xy}$

Σ 1g-SAR: sum of the highest SAR of Tx No. 1 and the SAR of Tx No. 2 at the same DUT position or orientation as the highest value of Tx No. 1 i.e. not necessarily the sum of the highest SAR values of both transmitters.

b) body position

Tx No.	Communication system and frequency band	P_{avg} (mW)	single SAR (W/kg) (see ch. 7.2)	remarks
1a	GSM 850 MHz	500	0.890	routine evaluation
1b	GSM 1900 MHz	250	1.060	routine evaluation
1c	FDD V 850 MHz	250	0.998	routine evaluation
1d	FDD II 1900 MHz	250	1.280	routine evaluation
2a	WLAN 2450 MHz	50	0.148	routine evaluation
2b	Bluetooth 2450 MHz	7	:=0	$P_2 < P_{ref}$
Sum of all 1g-SAR values			n/a	

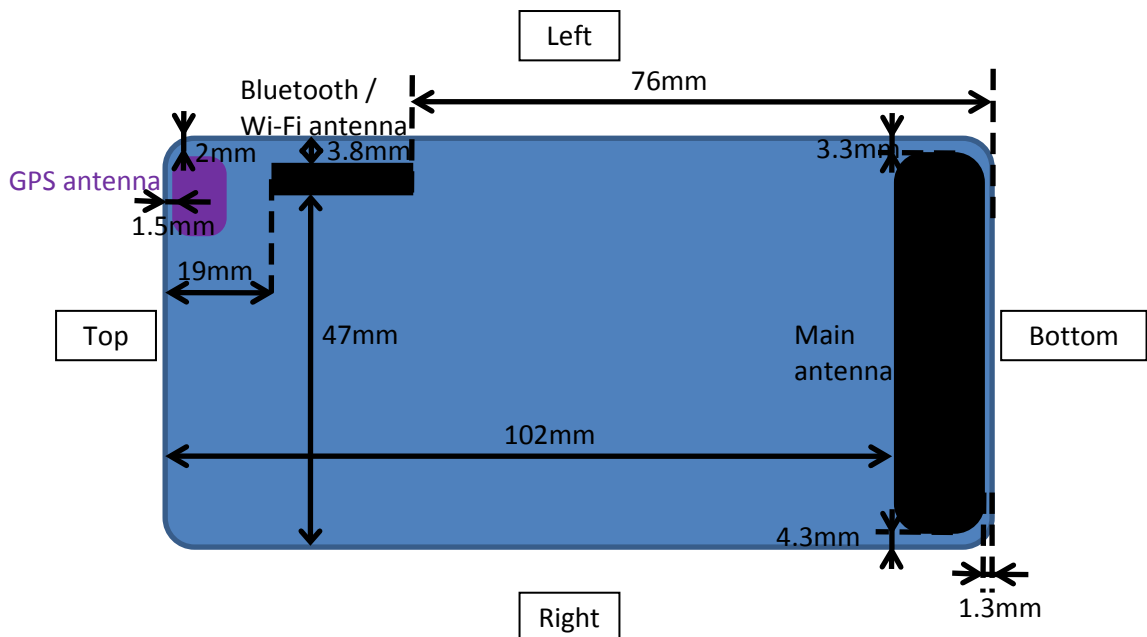
Table 19: Communication systems and SAR values in body position

antenna pair (x,y)	peak-locations spacing L_{xy} (cm)	Σ 1g-SAR (W/kg)	SPLSR _{xy}	sim.-Tx SAR	remarks
(1a,2a)	5.21	1.038	0.20	N	$SPLSR_{xy} < 0.3$ and $\Sigma SAR < 1.6$ W/kg
(1b,2a)	7.00	1.208	0.17	N	$SPLSR_{xy} < 0.3$ and $\Sigma SAR < 1.6$ W/kg
(1c,2a)	5.42	1.146	0.21	N	$SPLSR_{xy} < 0.3$ and $\Sigma SAR < 1.6$ W/kg
(1d,2a)	7.34	1.428	0.19	N	$SPLSR_{xy} < 0.3$ and $\Sigma SAR < 1.6$ W/kg

Table 20: Antenna distances and SPLSR evaluation in body position
 $SPLSR_{xy} = SAR\text{-to-(peak-locations spacing) ratio} = (SAR_x + SAR_y) / L_{xy}$

7.1.9 Mobile hotspot SAR measurement positions

Mobile hotspot SAR measurement positions						
mode	front	rear	left edge	right edge	top edge	bottom edge
GSM 850	yes	yes	yes	yes	no	yes
GSM 1900	yes	yes	yes	yes	no	yes
WCDMA FDD V 850	yes	yes	yes	yes	no	yes
WCDMA FDD V 1900	yes	yes	yes	yes	no	yes
WLAN 2450	yes	yes	yes	no	yes	no



The edges with less than 2.5 cm distance to the TX antennas need to be tested for hotspot SAR.

7.2 SAR test results

7.2.1 Results overview

Head SAR GSM 850 MHz (averaged over 1g tissue volume)						
Channel / frequency	Position	Left hand test result	Right hand test result	Limit	Liquid temperature	
					left	right
128 / 824.2 MHz	cheek	0.388 W/kg	0.317 W/kg	1.6 W/kg	20.9 °C	20.9 °C
190 / 836.6 MHz	cheek	0.350 W/kg	0.292 W/kg	1.6 W/kg	20.9 °C	20.9 °C
251 / 848.8 MHz	cheek	0.343 W/kg	0.275 W/kg	1.6 W/kg	20.9 °C	20.9 °C
128 / 824.2 MHz	tilted 15°	0.284 W/kg	0.275 W/kg	1.6 W/kg	20.9 °C	20.9 °C
190 / 836.6 MHz	tilted 15°	0.259 W/kg	0.260 W/kg	1.6 W/kg	20.9 °C	20.9 °C
251 / 848.8 MHz	tilted 15°	0.264 W/kg	0.260 W/kg	1.6 W/kg	20.9 °C	20.9 °C
Slide opened						
128 / 824.2 MHz	cheek	0.528 W/kg	0.302 W/kg	1.6 W/kg	20.9 °C	20.9 °C
190 / 836.6 MHz	cheek	0.556 W/kg	0.333 W/kg	1.6 W/kg	20.9 °C	20.9 °C
251 / 848.8 MHz	cheek	0.606 W/kg	0.361 W/kg	1.6 W/kg	20.9 °C	20.9 °C
128 / 824.2 MHz	tilted 15°	0.162 W/kg	0.162 W/kg	1.6 W/kg	20.9 °C	20.9 °C
190 / 836.6 MHz	tilted 15°	0.138 W/kg	0.141 W/kg	1.6 W/kg	20.9 °C	20.9 °C
251 / 848.8 MHz	tilted 15°	0.124 W/kg	0.155 W/kg	1.6 W/kg	20.9 °C	20.9 °C

Table 21: Test results head SAR GSM 850 MHz

Body SAR GSM 850 MHz (averaged over 1g tissue volume)						
Channel / frequency	Position	Distance	test condition	Body worn test result	Limit	Liquid temperature
128 / 824.2 MHz	front	10 mm	3 time slots	0.327 W/kg	1.6 W/kg	21.1 °C
190 / 836.6 MHz	front	10 mm	3 time slots	0.403 W/kg	1.6 W/kg	21.1 °C
251 / 848.8 MHz	front	10 mm	3 time slots	0.496 W/kg	1.6 W/kg	21.1 °C
128 / 824.2 MHz	rear	10 mm	3 time slots	0.761 W/kg	1.6 W/kg	21.1 °C
190 / 836.6 MHz	rear	10 mm	3 time slots	0.872 W/kg	1.6 W/kg	21.1 °C
251 / 848.8 MHz	rear	10 mm	3 time slots	0.890 W/kg	1.6 W/kg	21.1 °C
190 / 836.6 MHz	left	10 mm	3 time slots	0.500 W/kg	1.6 W/kg	21.1 °C
190 / 836.6 MHz	right	10 mm	3 time slots	0.451 W/kg	1.6 W/kg	21.1 °C
190 / 836.6 MHz	bottom	10 mm	3 time slots	0.052 W/kg	1.6 W/kg	21.1 °C
251 / 848.8 MHz	rear	15 mm	1 time slot	0.350 W/kg	1.6 W/kg	21.1 °C

Table 22: Test results body SAR GSM 850 MHz

Top edge position is not required since the distance from the main antenna to the edge is greater than 2.5 cm.

Head SAR GSM 1900 MHz (averaged over 1g tissue volume)						
Channel / frequency	Position	Left hand test result	Right hand test result	Limit	Liquid temperature left	Liquid temperature right
512 / 1850.2 MHz	cheek	0.478 W/kg	0.466 W/kg	1.6 W/kg	21.1 °C	21.0 °C
661 / 1880.0 MHz	cheek	0.509 W/kg	0.449 W/kg	1.6 W/kg	21.1 °C	21.0 °C
810 / 1909.8 MHz	cheek	0.454 W/kg	0.373 W/kg	1.6 W/kg	21.1 °C	21.0 °C
512 / 1850.2 MHz	tilted 15°	0.720 W/kg	0.867 W/kg	1.6 W/kg	21.1 °C	21.0 °C
661 / 1880.0 MHz	tilted 15°	0.808 W/kg	0.899 W/kg	1.6 W/kg	21.1 °C	21.0 °C
810 / 1909.8 MHz	tilted 15°	0.721 W/kg	0.787 W/kg	1.6 W/kg	21.1 °C	21.0 °C
Slide opened						
512 / 1850.2 MHz	cheek	0.926 W/kg	0.241 W/kg	1.6 W/kg	21.1 °C	21.3 °C
661 / 1880.0 MHz	cheek	0.916 W/kg	0.272 W/kg	1.6 W/kg	21.1 °C	21.3 °C
810 / 1909.8 MHz	cheek	0.785 W/kg	0.245 W/kg	1.6 W/kg	21.1 °C	21.3 °C
512 / 1850.2 MHz	tilted 15°	0.198 W/kg	0.202 W/kg	1.6 W/kg	21.1 °C	21.7 °C
661 / 1880.0 MHz	tilted 15°	0.184 W/kg	0.188 W/kg	1.6 W/kg	21.1 °C	21.7 °C
810 / 1909.8 MHz	tilted 15°	0.159 W/kg	0.205 W/kg	1.6 W/kg	21.1 °C	21.7 °C

Table 23: Test results head SAR GSM 1900 MHz

Body SAR GSM 1900 MHz (averaged over 1g tissue volume)						
Channel / frequency	Position	Distance	test condition	Body worn test result	Limit	Liquid temperature
512 / 1850.2 MHz	front	10 mm	4 time slots	0.417 W/kg	1.6 W/kg	22.6 °C
661 / 1880.0 MHz	front	10 mm	4 time slots	0.463 W/kg	1.6 W/kg	22.6 °C
810 / 1909.8 MHz	front	10 mm	4 time slots	0.441 W/kg	1.6 W/kg	22.6 °C
512 / 1850.2 MHz	rear	10 mm	4 time slots	0.848 W/kg	1.6 W/kg	22.6 °C
661 / 1880.0 MHz	rear	10 mm	4 time slots	1.030 W/kg	1.6 W/kg	22.6 °C
810 / 1909.8 MHz	rear	10 mm	4 time slots	1.060 W/kg	1.6 W/kg	22.6 °C
661 / 1880.0 MHz	left	10 mm	4 time slots	0.303 W/kg	1.6 W/kg	22.6 °C
661 / 1880.0 MHz	right	10 mm	4 time slots	0.116 W/kg	1.6 W/kg	22.6 °C
661 / 1880.0 MHz	bottom	10 mm	4 time slots	0.155 W/kg	1.6 W/kg	22.6 °C
810 / 1909.8 MHz	rear	15 mm	1 time slot	0.456 W/kg	1.6 W/kg	22.6 °C

Table 24: Test results body SAR GSM 1900 MHz

Top edge position is not required since the distance from the main antenna to the edge is greater than 2.5 cm.

Head SAR UMTS FDD V 850 MHz (averaged over 1g tissue volume)						
Channel / frequency	Position	Left hand test result	Right hand test result	Limit	Liquid temperature	
					left	right
4132 / 826.4 MHz	cheek	0.319 W/kg	0.286 W/kg	1.6 W/kg	21.1 °C	21.1 °C
4182 / 836.4 MHz	cheek	0.358 W/kg	0.337 W/kg	1.6 W/kg	21.1 °C	21.1 °C
4233 / 846.6 MHz	cheek	0.423 W/kg	0.386 W/kg	1.6 W/kg	21.1 °C	21.1 °C
4132 / 826.4 MHz	tilted 15°	0.220 W/kg	0.238 W/kg	1.6 W/kg	21.1 °C	21.1 °C
4182 / 836.4 MHz	tilted 15°	0.253 W/kg	0.276 W/kg	1.6 W/kg	21.1 °C	21.1 °C
4233 / 846.6 MHz	tilted 15°	0.291 W/kg	0.304 W/kg	1.6 W/kg	21.1 °C	21.1 °C
Slide opened						
4132 / 826.4 MHz	cheek	0.467 W/kg	0.253 W/kg	1.6 W/kg	20.9 °C	21.1 °C
4182 / 836.4 MHz	cheek	0.616 W/kg	0.381 W/kg	1.6 W/kg	20.9 °C	21.1 °C
4233 / 846.6 MHz	cheek	0.731 W/kg	0.455 W/kg	1.6 W/kg	20.9 °C	21.1 °C
4132 / 826.4 MHz	tilted 15°	0.121 W/kg	0.135 W/kg	1.6 W/kg	20.9 °C	20.9 °C
4182 / 836.4 MHz	tilted 15°	0.139 W/kg	0.162 W/kg	1.6 W/kg	20.9 °C	20.9 °C
4233 / 846.6 MHz	tilted 15°	0.145 W/kg	0.168 W/kg	1.6 W/kg	20.9 °C	21.1 °C

Table 25: Test results head SAR UMTS FDD V 850 MHz

Body SAR UMTS FDD V 850 MHz (averaged over 1g tissue volume)						
Channel / frequency	Position	Distance	test condition	Body worn test result	Limit	Liquid temperature
4132 / 826.4 MHz	front	10 mm	12.2kbit/s	0.399 W/kg	1.6 W/kg	21.1 °C
4182 / 836.4 MHz	front	10 mm	12.2kbit/s	0.433 W/kg	1.6 W/kg	21.1 °C
4233 / 846.6 MHz	front	10 mm	12.2kbit/s	0.472 W/kg	1.6 W/kg	21.1 °C
4132 / 826.4 MHz	rear	10 mm	12.2kbit/s	0.909 W/kg	1.6 W/kg	21.1 °C
4182 / 836.4 MHz	rear	10 mm	12.2kbit/s	0.956 W/kg	1.6 W/kg	21.1 °C
4233 / 846.6 MHz	rear	10 mm	12.2kbit/s	0.998 W/kg	1.6 W/kg	21.1 °C
4182 / 836.4 MHz	left	10 mm	12.2kbit/s	0.508 W/kg	1.6 W/kg	21.1 °C
4182 / 836.4 MHz	right	10 mm	12.2kbit/s	0.487 W/kg	1.6 W/kg	21.1 °C
4182 / 836.4 MHz	bottom	10 mm	12.2kbit/s	0.062 W/kg	1.6 W/kg	21.1 °C
4233 / 846.6 MHz	rear	15 mm	12.2kbit/s	0.467 W/kg	1.6 W/kg	23.0 °C

Table 26: Test results body SAR UMTS FDD V 850 MHz

Head SAR UMTS FDD II 1900 MHz (averaged over 1g tissue volume)						
Channel / frequency	Position	Left hand test result	Right hand test result	Limit	Liquid temperature	
					left	right
9262 / 1852.4 MHz	cheek	0.554 W/kg	0.627 W/kg	1.6 W/kg	22.9 °C	22.1 °C
9400 / 1880.0 MHz	cheek	0.496 W/kg	0.554 W/kg	1.6 W/kg	22.9 °C	22.1 °C
9538 / 1907.6 MHz	cheek	0.412 W/kg	0.436 W/kg	1.6 W/kg	22.9 °C	22.1 °C
9262 / 1852.4 MHz	tilted 15°	0.834 W/kg	1.030 W/kg	1.6 W/kg	22.9 °C	22.1 °C
9400 / 1880.0 MHz	tilted 15°	0.813 W/kg	0.020 W/kg	1.6 W/kg	22.9 °C	22.1 °C
9538 / 1907.6 MHz	tilted 15°	0.698 W/kg	0.870 W/kg	1.6 W/kg	22.9 °C	22.1 °C
Slide opened						
9262 / 1852.4 MHz	cheek	0.769 W/kg	0.325 W/kg	1.6 W/kg	22.9 °C	22.1 °C
9400 / 1880.0 MHz	cheek	0.784 W/kg	0.347 W/kg	1.6 W/kg	22.9 °C	22.1 °C
9538 / 1907.6 MHz	cheek	0.687 W/kg	0.338 W/kg	1.6 W/kg	22.9 °C	22.1 °C
9262 / 1852.4 MHz	tilted 15°	0.241 W/kg	0.254 W/kg	1.6 W/kg	22.9 °C	22.1 °C
9400 / 1880.0 MHz	tilted 15°	0.231 W/kg	0.249 W/kg	1.6 W/kg	22.9 °C	22.1 °C
9538 / 1907.6 MHz	tilted 15°	0.202 W/kg	0.278 W/kg	1.6 W/kg	22.9 °C	22.1 °C

Table 27: Test results head SAR UMTS FDD II 1900 MHz

Body SAR UMTS FDD II 1900 MHz (averaged over 1g tissue volume)						
Channel / frequency	Position	Distance	test condition	Body worn test result	Limit	Liquid temperature
9262 / 1852.4 MHz	front	10 mm	12.2kbit/s	0.507 W/kg	1.6 W/kg	22.0 °C
9400 / 1880.0 MHz	front	10 mm	12.2kbit/s	0.516 W/kg	1.6 W/kg	22.0 °C
9538 / 1907.6 MHz	front	10 mm	12.2kbit/s	0.459 W/kg	1.6 W/kg	22.0 °C
9262 / 1852.4 MHz	rear	10 mm	12.2kbit/s	1.150 W/kg	1.6 W/kg	22.0 °C
9400 / 1880.0 MHz	rear	10 mm	12.2kbit/s	1.280 W/kg	1.6 W/kg	22.0 °C
9538 / 1907.6 MHz	rear	10 mm	12.2kbit/s	1.160 W/kg	1.6 W/kg	22.0 °C
9400 / 1880.0 MHz	left	10 mm	12.2kbit/s	0.366 W/kg	1.6 W/kg	22.0 °C
9400 / 1880.0 MHz	right	10 mm	12.2kbit/s	0.170 W/kg	1.6 W/kg	22.0 °C
9400 / 1880.0 MHz	bottom	10 mm	12.2kbit/s	0.213 W/kg	1.6 W/kg	22.0 °C
9400 / 1880.0 MHz	rear	10 mm	HSDPA	1.190 W/kg	1.6 W/kg	22.8 °C
9400 / 1880.0 MHz	rear	10 mm	HSUPA	0.953 W/kg	1.6 W/kg	22.8 °C
9400 / 1880.0 MHz	rear	15 mm	12.2kbit/s	0.673 W/kg	1.6 W/kg	23.5 °C

Table 28: Test results body SAR UMTS FDD II 1900 MHz

Head SAR WLAN 2450 MHz (averaged over 1g tissue volume)						
Channel / frequency	Position	Left hand test result	Right hand test result	Limit	Liquid temperature	
					left	right
1 / 2412 MHz	cheek	0.081 W/kg	0.139 W/kg	1.6 W/kg	22.5 °C	22.2 °C
6 / 2437 MHz	cheek	0.088 W/kg	0.169 W/kg	1.6 W/kg	22.2 °C	22.7 °C
11 / 2462 MHz	cheek	0.135 W/kg	0.206 W/kg	1.6 W/kg	22.4 °C	22.7 °C
1 / 2412 MHz	tilted 15°	0.068 W/kg	0.077 W/kg	1.6 W/kg	22.5 °C	22.3 °C
6 / 2437 MHz	tilted 15°	0.079 W/kg	0.081 W/kg	1.6 W/kg	22.2 °C	22.8 °C
11 / 2462 MHz	tilted 15°	0.093 W/kg	0.119 W/kg	1.6 W/kg	22.4 °C	22.7 °C
Slide opened						
1 / 2412 MHz	cheek	0.097 W/kg	0.196 W/kg	1.6 W/kg	22.5 °C	22.5 °C
6 / 2437 MHz	cheek	0.107 W/kg	0.223 W/kg	1.6 W/kg	22.2 °C	22.6 °C
11 / 2462 MHz	cheek	0.140 W/kg	0.264 W/kg	1.6 W/kg	22.4 °C	22.2 °C
1 / 2412 MHz	tilted 15°	0.125 W/kg	0.157 W/kg	1.6 W/kg	22.5 °C	22.4 °C
6 / 2437 MHz	tilted 15°	0.137 W/kg	0.182 W/kg	1.6 W/kg	22.2 °C	22.7 °C
11 / 2462 MHz	tilted 15°	0.175 W/kg	0.254 W/kg	1.6 W/kg	22.4 °C	22.7 °C
11 / 2462 MHz	cheek OFDM 6 Mbps		0.230 W/kg	1.6 W/kg	--- °C	22.4 °C
11 / 2462 MHz	cheek OFDM 6.5 Mbps		0.228 W/kg	1.6 W/kg	--- °C	22.4 °C

Table 29: Test results head SAR WLAN 2450 MHz

Body SAR WLAN 2450 MHz (averaged over 1g tissue volume)						
Channel / frequency	Position	Distance	test condition	Body worn test result	Limit	Liquid temperature
1 / 2412 MHz	front	10 mm	CCK 1 Mbit/s	0.040 W/kg	1.6 W/kg	22.1 °C
6 / 2437 MHz	front	10 mm	CCK 1 Mbit/s	0.044 W/kg	1.6 W/kg	21.4 °C
11 / 2462 MHz	front	10 mm	CCK 1 Mbit/s	0.055 W/kg	1.6 W/kg	21.4 °C
1 / 2412 MHz	rear	10 mm	CCK 1 Mbit/s	0.110 W/kg	1.6 W/kg	22.1 °C
6 / 2437 MHz	rear	10 mm	CCK 1 Mbit/s	0.122 W/kg	1.6 W/kg	21.4 °C
11 / 2462 MHz	rear	10 mm	CCK 1 Mbit/s	0.148 W/kg	1.6 W/kg	21.4 °C
6 / 2437 MHz	left	10 mm	CCK 1 Mbit/s	0.103 W/kg	1.6 W/kg	22.1 °C
6 / 2437 MHz	right	10 mm	CCK 1 Mbit/s	0.020 W/kg	1.6 W/kg	22.2 °C
6 / 2437 MHz	top edge	10 mm	CCK 1 Mbit/s	0.027 W/kg	1.6 W/kg	22.2 °C
11 / 2462 MHz	rear	10 mm	OFDM 6Mbit/s	0.109 W/kg	1.6 W/kg	22.2 °C
11 / 2462 MHz	rear	10 mm	OFDM 6.5Mbit/s	0.108 W/kg	1.6 W/kg	22.2 °C

Table 30: Test results body SAR WLAN 2450 MHz

Bottom edge position is not required since the distance from the WLAN antenna to the edge is greater than 2.5cm.

Note:

The SAR test shall be performed at the high, middle and low frequency channels of each operating mode. If the SAR measured at mid-band channel for each test configuration is at least 3.0 dB lower than the SAR limit (< 0.8 W/kg), testing at the high and low channels is optional.

Per Oct 2010 TCB FCC Workshop, the edges with antennas within 2.5 cm are required to be evaluated for SAR to cover WLAN hot spot function.

Tests in body position were performed with 10 mm air gap between DUT and SAM.

The additional GSM and UMTS body tests were performed at worst case with 1 time slot in uplink or in speech mode for UMTS and 15 mm distance from DUT to the phantom in accordance with Sony Ericsson requirements.

7.2.2 General description of test procedures

The DUT is tested using a CMU 200 communications tester as controller unit to set test channels and maximum output power to the DUT, as well as for measuring the conducted peak power.

Test positions as described in the tables above are in accordance with the specified test standard.

Tests in body position were performed in that configuration, which generates the highest time based averaged output power (see conducted power results).

Tests in head position with GSM were performed in voice mode with 1 timeslot unless GPRS/EGPRS/DTM function allows parallel voice and data traffic on 2 or more timeslots (see section 2.4 for details).

WLAN was tested in 802.11b mode with 1 MBit/s with the delta measurements in 802.11g and 802.11n modes on worst case position.

8 Test equipment and ancillaries used for tests

To simplify the identification of the test equipment and/or ancillaries which were used, the reporting of the relevant test cases only refer to the test item number as specified in the table below.

No	used	Equipment	Type	Manufacturer	Serial No.	Last Calibration	Frequency (months)
1	<input checked="" type="checkbox"/>	Dosimetric E-Field Probe	ET3DV6	Schmid & Partner Engineering AG	1558	August 11, 2010	12
2	<input checked="" type="checkbox"/>	Dosimetric E-Field Probe	ET3DV6	Schmid & Partner Engineering AG	1559	January 19, 2011	12
3	<input checked="" type="checkbox"/>	900 MHz System Validation Dipole	D900V2	Schmid & Partner Engineering AG	102	August 16, 2010	12
4	<input type="checkbox"/>	1800 MHz System Validation Dipole	D1800V2	Schmid & Partner Engineering AG	287	August 17, 2010	12
5	<input checked="" type="checkbox"/>	1900 MHz System Validation Dipole	D1900V2	Schmid & Partner Engineering AG	531	August 17, 2010	12
6	<input checked="" type="checkbox"/>	2450 MHz System Validation Dipole	D2450V2	Schmid & Partner Engineering AG	710	August 19, 2010	12
7	<input checked="" type="checkbox"/>	Data acquisition electronics	DAE3V1	Schmid & Partner Engineering AG	413	January 13, 2011	12
8	<input checked="" type="checkbox"/>	Data acquisition electronics	DAE3V1	Schmid & Partner Engineering AG	477	May 07, 2010	12
9	<input checked="" type="checkbox"/>	Software	DASY 4 V4.5	Schmid & Partner Engineering AG	---	N/A	--
10	<input checked="" type="checkbox"/>	Phantom	SAM	Schmid & Partner Engineering AG	---	N/A	--
11	<input checked="" type="checkbox"/>	Universal Radio Communication Tester	CMU 200	Rohde & Schwarz	106826	January 12, 2011	12
12	<input checked="" type="checkbox"/>	Network Analyser 300 kHz to 6 GHz	8753ES	Hewlett Packard)*	US39174436	July 6, 2010	12
13	<input checked="" type="checkbox"/>	Dielectric Probe Kit	85070C	Hewlett Packard	US99360146	N/A	12
14	<input checked="" type="checkbox"/>	Signal Generator	8665A	Hewlett Packard	2833A00112	January 6, 2011	12
15	<input checked="" type="checkbox"/>	Amplifier	25S1G4 (25 Watt)	Amplifier Research	20452	N/A	--
16	<input checked="" type="checkbox"/>	Power Meter	NRP	Rohde & Schwarz	101367	January 6, 2011	12
17	<input checked="" type="checkbox"/>	Power Meter Sensor	NRP Z22	Rohde & Schwarz	100227	January 6, 2011	12
18	<input checked="" type="checkbox"/>	Power Meter Sensor	NRP Z22	Rohde & Schwarz	100234	January 6, 2011	12

)* : Network analyzer probe calibration against air, distilled water and a shorting block performed before measuring liquid parameters.

9 Observations

No observations exceeding those reported with the single test cases have been made.

Annex A: System performance verification

Date/Time: 21.03.2011 14:58:41 Date/Time: 21.03.2011 15:02:10

System Performance Check-D900 head 2011-03-21

DUT: Dipole 900 MHz; Type: D900V2; Serial: 102

Communication System: CW; Frequency: 900 MHz; Duty Cycle: 1:1

Medium: HSL900 Medium parameters used: $f = 900$ MHz; $\sigma = 0.98$ mho/m; $\epsilon_r = 42$; $\rho = 1000$ kg/m³

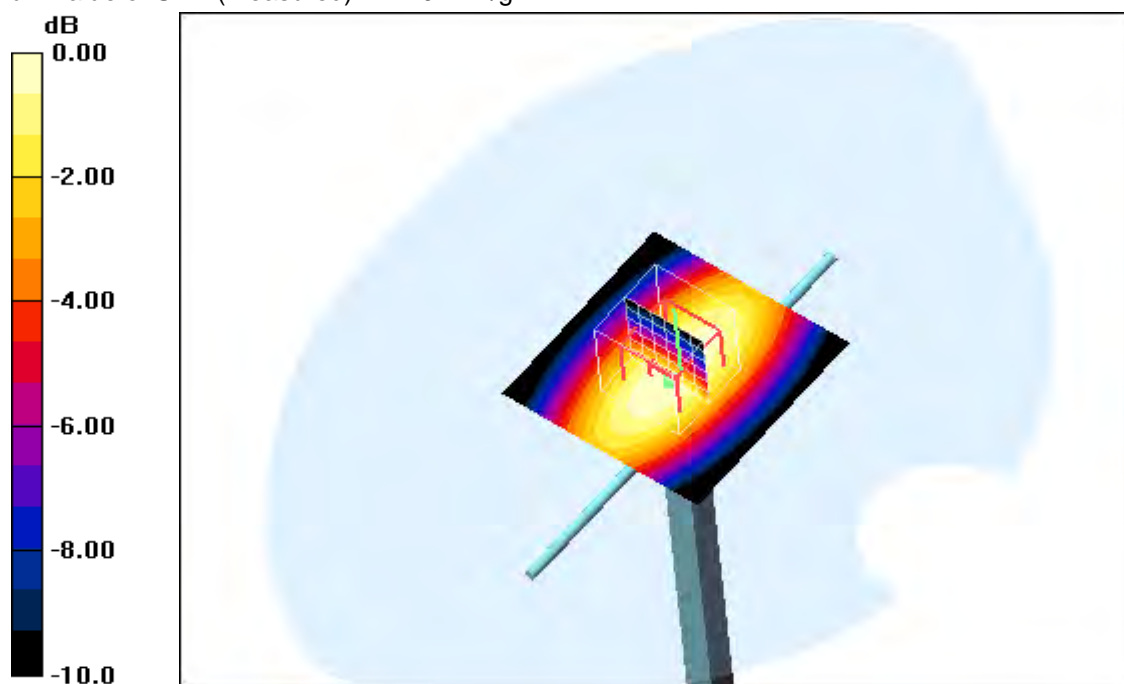
Phantom section: Flat Section

DASY4 Configuration:

- Probe: ET3DV6 - SN1559; ConvF(6.2, 6.2, 6.2); Calibrated: 19.01.2011
- Sensor-Surface: 4mm (Mechanical And Optical Surface Detection)
- Electronics: DAE3 Sn477; Calibrated: 07.05.2010
- Phantom: SAM left; Type: SAM; Serial: 1041
- Measurement SW: DASY4, V4.7 Build 71; Postprocessing SW: SEMCAD, V1.8 Build 146

d=15mm, Pin=1000mW/Area Scan (51x51x1): Measurement grid: dx=15mm, dy=15mm
Maximum value of SAR (interpolated) = 11.8 mW/g

d=15mm, Pin=1000mW/Zoom Scan (7x7x7) (7x7x7)/Cube 0: Measurement grid:
dx=5mm, dy=5mm, dz=5mm
Reference Value = 115.9 V/m; Power Drift = 0.00 dB
Peak SAR (extrapolated) = 16.1 W/kg
SAR(1 g) = 11 mW/g; SAR(10 g) = 7.1 mW/g
Maximum value of SAR (measured) = 11.9 mW/g



0 dB = 11.9mW/g

Additional information:

ambient temperature: 22.3°C; liquid temperature: 20.9°C

Date/Time: 22.03.2011 16:10:36 Date/Time: 22.03.2011 16:14:01

System Performance Check-D900 head 2011-03-22

DUT: Dipole 900 MHz; Type: D900V2; Serial: 102

Communication System: CW; Frequency: 900 MHz; Duty Cycle: 1:1

Medium: HSL850 Medium parameters used: $f = 900 \text{ MHz}$; $\sigma = 0.98 \text{ mho/m}$; $\epsilon_r = 42$; $\rho = 1000 \text{ kg/m}^3$

Phantom section: Flat Section

DASY4 Configuration:

- Probe: ET3DV6 - SN1559; ConvF(6.2, 6.2, 6.2); Calibrated: 19.01.2011

- Sensor-Surface: 4mm (Mechanical And Optical Surface Detection)

- Electronics: DAE3 Sn477; Calibrated: 07.05.2010

- Phantom: SAM left; Type: SAM; Serial: 1041

- Measurement SW: DASY4, V4.7 Build 71; Postprocessing SW: SEMCAD, V1.8 Build 146

d=15mm, Pin=1000mW/Area Scan (51x51x1): Measurement grid: dx=15mm, dy=15mm

Maximum value of SAR (interpolated) = 12.1 mW/g

d=15mm, Pin=1000mW/Zoom Scan (7x7x7) (7x7x7)/Cube 0: Measurement grid:

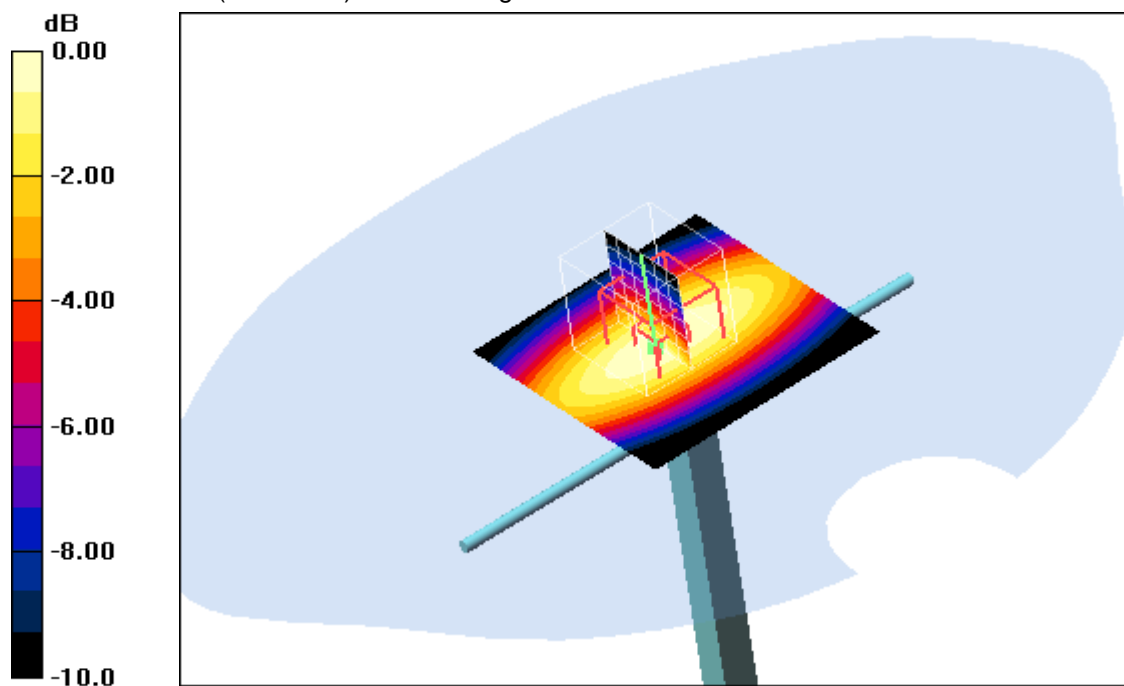
dx=5mm, dy=5mm, dz=5mm

Reference Value = 114.1 V/m; Power Drift = -0.017 dB

Peak SAR (extrapolated) = 16.7 W/kg

SAR(1 g) = 11.2 mW/g; SAR(10 g) = 7.24 mW/g

Maximum value of SAR (measured) = 12.2 mW/g



0 dB = 12.2mW/g

Additional information:

ambient temperature: 22.3°C; liquid temperature: 20.9°C

Date/Time: 23.03.2011 12:47:46 Date/Time: 23.03.2011 12:51:15

System Performance Check-D900 head 2011-03-23

DUT: Dipole 900 MHz; Type: D900V2; Serial: 102

Communication System: CW; Frequency: 900 MHz; Duty Cycle: 1:1

Medium: HSL850 Medium parameters used: $f = 900 \text{ MHz}$; $\sigma = 0.98 \text{ mho/m}$; $\epsilon_r = 42$; $\rho = 1000 \text{ kg/m}^3$

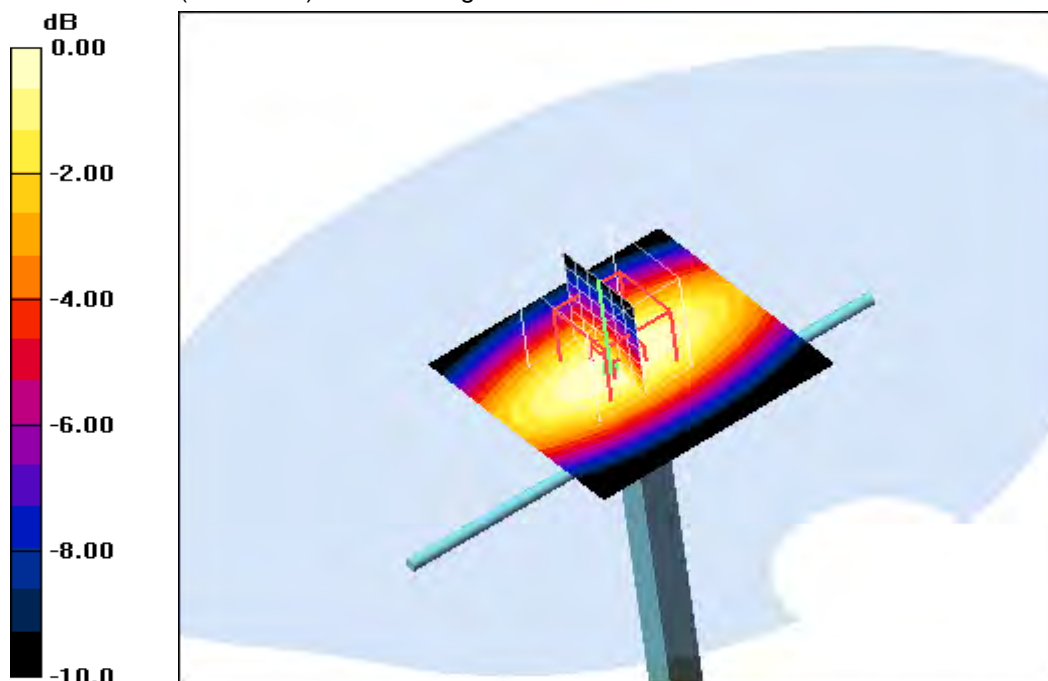
Phantom section: Flat Section

DASY4 Configuration:

- Probe: ET3DV6 - SN1559; ConvF(6.2, 6.2, 6.2); Calibrated: 19.01.2011
- Sensor-Surface: 4mm (Mechanical And Optical Surface Detection)
- Electronics: DAE3 Sn477; Calibrated: 07.05.2010
- Phantom: SAM left; Type: SAM; Serial: 1041
- Measurement SW: DASY4, V4.7 Build 71; Postprocessing SW: SEMCAD, V1.8 Build 146

d=15mm, Pin=1000mW/Area Scan (51x51x1): Measurement grid: dx=15mm, dy=15mm
 Maximum value of SAR (interpolated) = 12.1 mW/g

d=15mm, Pin=1000mW/Zoom Scan (7x7x7) (7x7x7)/Cube 0: Measurement grid:
 dx=5mm, dy=5mm, dz=5mm
 Reference Value = 113.5 V/m; Power Drift = 0.01 dB
 Peak SAR (extrapolated) = 16.7 W/kg
SAR(1 g) = 11.2 mW/g; SAR(10 g) = 7.21 mW/g
 Maximum value of SAR (measured) = 12.2 mW/g



0 dB = 12.2mW/g

Additional information:

ambient temperature: 22.3°C; liquid temperature: 20.9°C

Date/Time: 24.03.2011 10:07:09 Date/Time: 24.03.2011 10:10:37

System Performance Check-D900 head 2011-03-24

DUT: Dipole 900 MHz; Type: D900V2; Serial: 102

Communication System: CW; Frequency: 900 MHz; Duty Cycle: 1:1

Medium: HSL850 Medium parameters used: $f = 900 \text{ MHz}$; $\sigma = 0.98 \text{ mho/m}$; $\epsilon_r = 42$; $\rho = 1000 \text{ kg/m}^3$

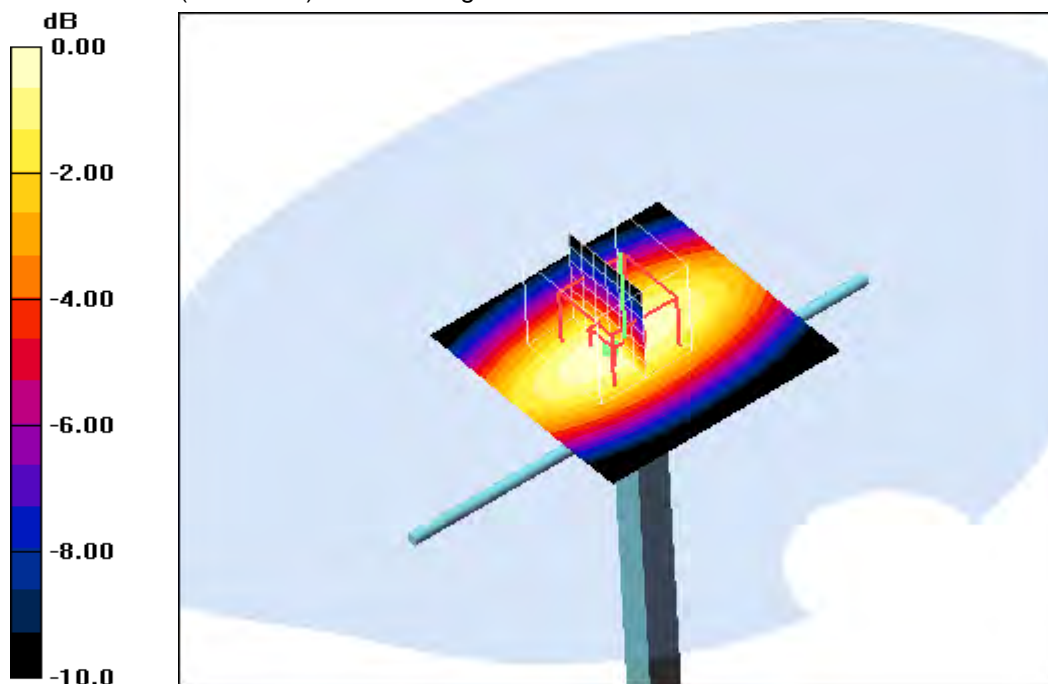
Phantom section: Flat Section

DASY4 Configuration:

- Probe: ET3DV6 - SN1559; ConvF(6.2, 6.2, 6.2); Calibrated: 19.01.2011
- Sensor-Surface: 4mm (Mechanical And Optical Surface Detection)
- Electronics: DAE3 Sn477; Calibrated: 07.05.2010
- Phantom: SAM left; Type: SAM; Serial: 1041
- Measurement SW: DASY4, V4.7 Build 71; Postprocessing SW: SEMCAD, V1.8 Build 146

d=15mm, Pin=1000mW/Area Scan (51x51x1): Measurement grid: $dx=15\text{mm}$, $dy=15\text{mm}$
 Maximum value of SAR (interpolated) = 11.9 mW/g

d=15mm, Pin=1000mW/Zoom Scan (7x7x7) (7x7x7)/Cube 0: Measurement grid:
 $dx=5\text{mm}$, $dy=5\text{mm}$, $dz=5\text{mm}$
 Reference Value = 113.6 V/m; Power Drift = 0.032 dB
 Peak SAR (extrapolated) = 16.6 W/kg
SAR(1 g) = 11.2 mW/g; SAR(10 g) = 7.2 mW/g
 Maximum value of SAR (measured) = 12.1 mW/g



0 dB = 12.1mW/g

Additional information:

ambient temperature: 22.9°C; liquid temperature: 21.1°C

Date/Time: 17.03.2011 10:51:28 Date/Time: 17.03.2011 10:55:09

System Performance Check-D900 body 2011-03-17

DUT: Dipole 900 MHz; Type: D900V2; Serial: 102

Communication System: CW; Frequency: 900 MHz; Duty Cycle: 1:1

Medium: M850 Medium parameters used: $f = 900 \text{ MHz}$; $\sigma = 1.05 \text{ mho/m}$; $\epsilon_r = 54.2$; $\rho = 1000 \text{ kg/m}^3$

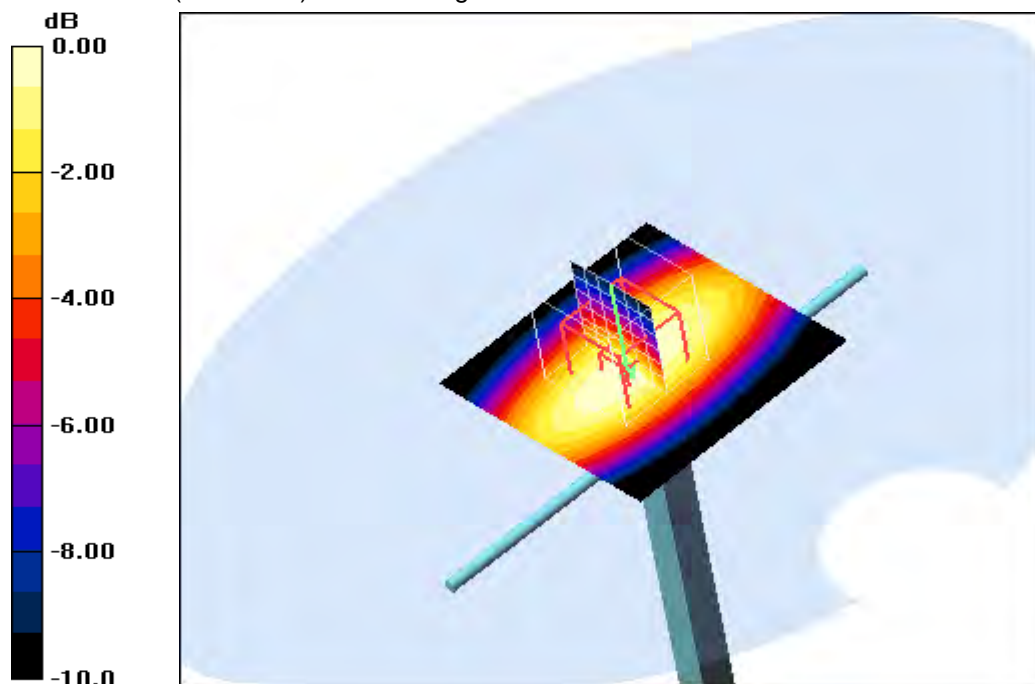
Phantom section: Flat Section

DASY4 Configuration:

- Probe: ET3DV6 - SN1559; ConvF(6.1, 6.1, 6.1); Calibrated: 19.01.2011
- Sensor-Surface: 4mm (Mechanical And Optical Surface Detection)
- Electronics: DAE3 Sn477; Calibrated: 07.05.2010
- Phantom: SAM left; Type: SAM; Serial: 1041
- Measurement SW: DASY4, V4.7 Build 71; Postprocessing SW: SEMCAD, V1.8 Build 146

d=15mm, Pin=1000mW/Area Scan (51x51x1): Measurement grid: dx=15mm, dy=15mm
 Maximum value of SAR (interpolated) = 12.2 mW/g

d=15mm, Pin=1000mW/Zoom Scan (7x7x7) (7x7x7)/Cube 0: Measurement grid:
 dx=5mm, dy=5mm, dz=5mm
 Reference Value = 111.2 V/m; Power Drift = -0.01 dB
 Peak SAR (extrapolated) = 16.2 W/kg
SAR(1 g) = 11.3 mW/g; SAR(10 g) = 7.37 mW/g
 Maximum value of SAR (measured) = 12.2 mW/g



0 dB = 12.2mW/g

Additional information:

ambient temperature: 21.9°C; liquid temperature: 21.1°C

Date/Time: 18.03.2011 10:12:46 Date/Time: 18.03.2011 10:16:14

System Performance Check-D900 body 2011-03-18

DUT: Dipole 900 MHz; Type: D900V2; Serial: 102

Communication System: CW; Frequency: 900 MHz; Duty Cycle: 1:1

Medium: M850 Medium parameters used: $f = 900 \text{ MHz}$; $\sigma = 1.05 \text{ mho/m}$; $\epsilon_r = 54.2$; $\rho = 1000 \text{ kg/m}^3$

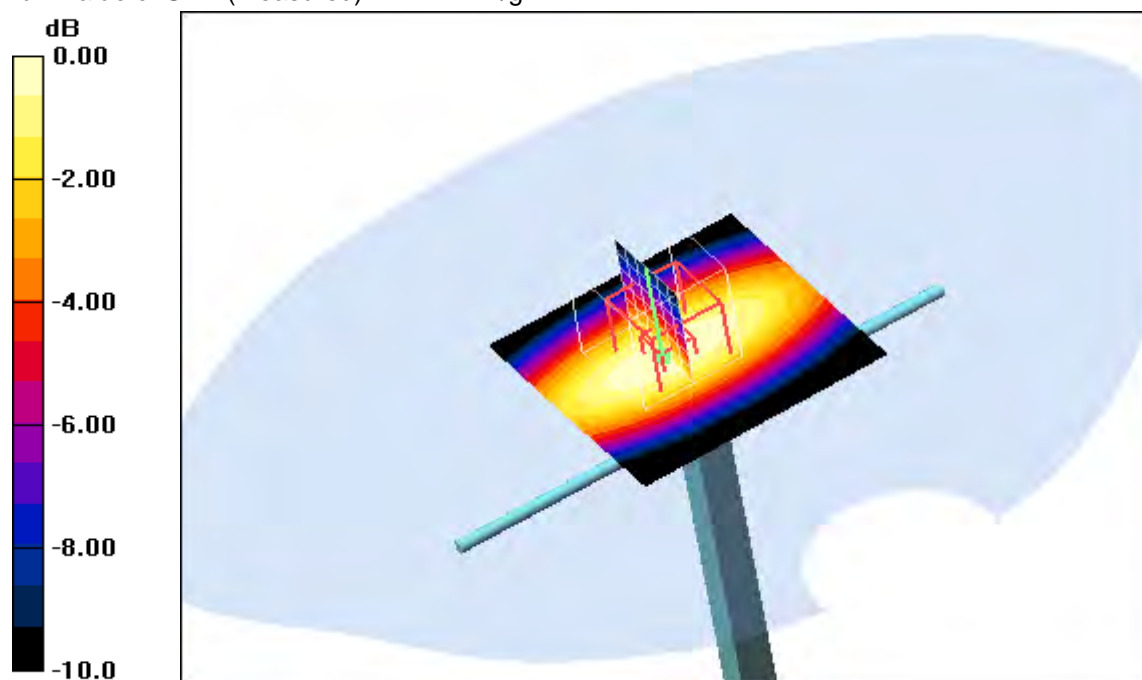
Phantom section: Flat Section

DASY4 Configuration:

- Probe: ET3DV6 - SN1559; ConvF(6.1, 6.1, 6.1); Calibrated: 19.01.2011
- Sensor-Surface: 4mm (Mechanical And Optical Surface Detection)
- Electronics: DAE3 Sn477; Calibrated: 07.05.2010
- Phantom: SAM left; Type: SAM; Serial: 1041
- Measurement SW: DASY4, V4.7 Build 71; Postprocessing SW: SEMCAD, V1.8 Build 146

d=15mm, Pin=1000mW/Area Scan (51x51x1): Measurement grid: $dx=15\text{mm}$, $dy=15\text{mm}$
 Maximum value of SAR (interpolated) = 12.0 mW/g

d=15mm, Pin=1000mW/Zoom Scan (7x7x7) (7x7x7)/Cube 0: Measurement grid:
 $dx=5\text{mm}$, $dy=5\text{mm}$, $dz=5\text{mm}$
 Reference Value = 109.9 V/m; Power Drift = 0.014 dB
 Peak SAR (extrapolated) = 16.2 W/kg
SAR(1 g) = 11.2 mW/g; SAR(10 g) = 7.31 mW/g
 Maximum value of SAR (measured) = 12.1 mW/g



0 dB = 12.1mW/g

Additional information:

ambient temperature: 21.9°C; liquid temperature: 21.1°C

Date/Time: 09.05.2011 09:35:09 Date/Time: 09.05.2011 09:38:48

System Performance Check-D900 body 2011-05-09

DUT: Dipole 900 MHz; Type: D900V2; Serial: 102

Communication System: CW; Frequency: 900 MHz; Duty Cycle: 1:1

Medium: M850 Medium parameters used: $f = 900 \text{ MHz}$; $\sigma = 1.01 \text{ mho/m}$; $\epsilon_r = 55$; $\rho = 1000 \text{ kg/m}^3$

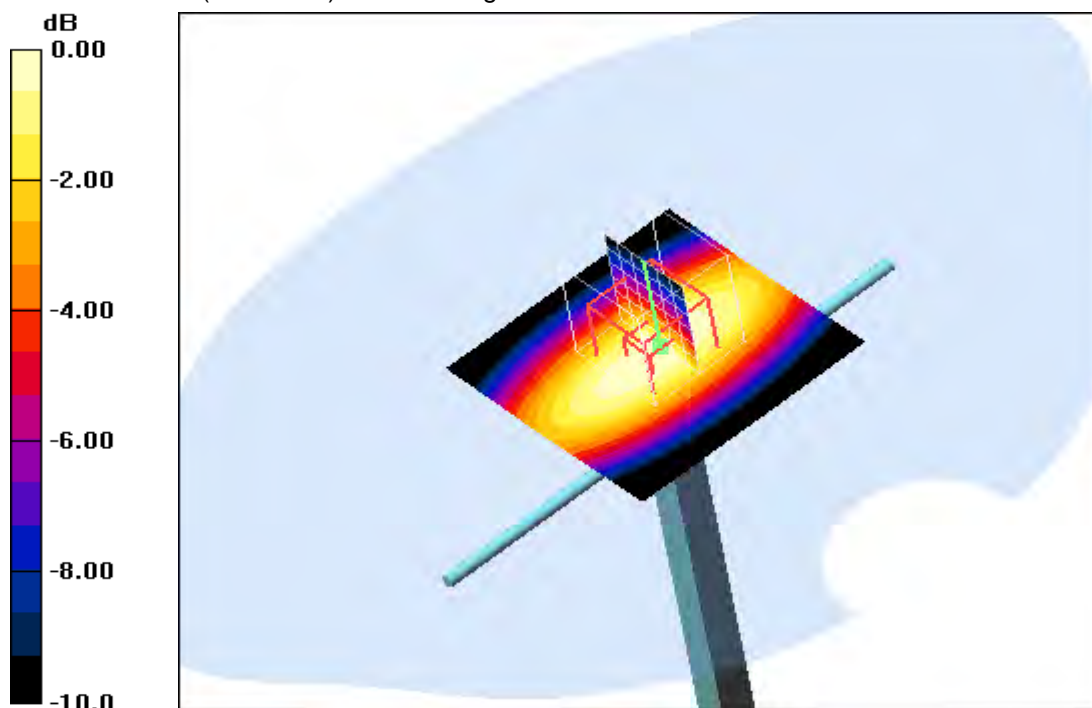
Phantom section: Flat Section

DASY4 Configuration:

- Probe: ET3DV6 - SN1558; ConvF(5.73, 5.73, 5.73); Calibrated: 11.08.2010
- Sensor-Surface: 4mm (Mechanical And Optical Surface Detection)
- Electronics: DAE3 Sn413; Calibrated: 13.01.2011
- Phantom: SAM 12; Type: SAM; Serial: 1043
- Measurement SW: DASY4, V4.5 Build 19; Postprocessing SW: SEMCAD, V1.8 Build 146

d=15mm, Pin=1000mW/Area Scan (51x51x1): Measurement grid: dx=15mm, dy=15mm
 Maximum value of SAR (interpolated) = 11.3 mW/g

d=15mm, Pin=1000mW/Zoom Scan (7x7x7) (7x7x7)/Cube 0: Measurement grid:
 dx=5mm, dy=5mm, dz=5mm
 Reference Value = 110.9 V/m; Power Drift = -0.058 dB
 Peak SAR (extrapolated) = 16.4 W/kg
SAR(1 g) = 10.6 mW/g; SAR(10 g) = 6.84 mW/g
 Maximum value of SAR (measured) = 11.5 mW/g



0 dB = 11.5mW/g

Additional information:

ambient temperature: 23.5°C; liquid temperature: 23.0°C

Date/Time: 24.03.2011 09:36:49 Date/Time: 24.03.2011 09:40:26

System Performance Check-D1900 head 2011-03-24

DUT: Dipole 1900 MHz; Type: D1900V2; Serial: 5d009

Communication System: CW; Frequency: 1900 MHz; Duty Cycle: 1:1

Medium: HSL1900-1950 Medium parameters used: $f = 1900$ MHz; $\sigma = 1.41$ mho/m; $\epsilon_r = 39.6$; $\rho = 1000$ kg/m³

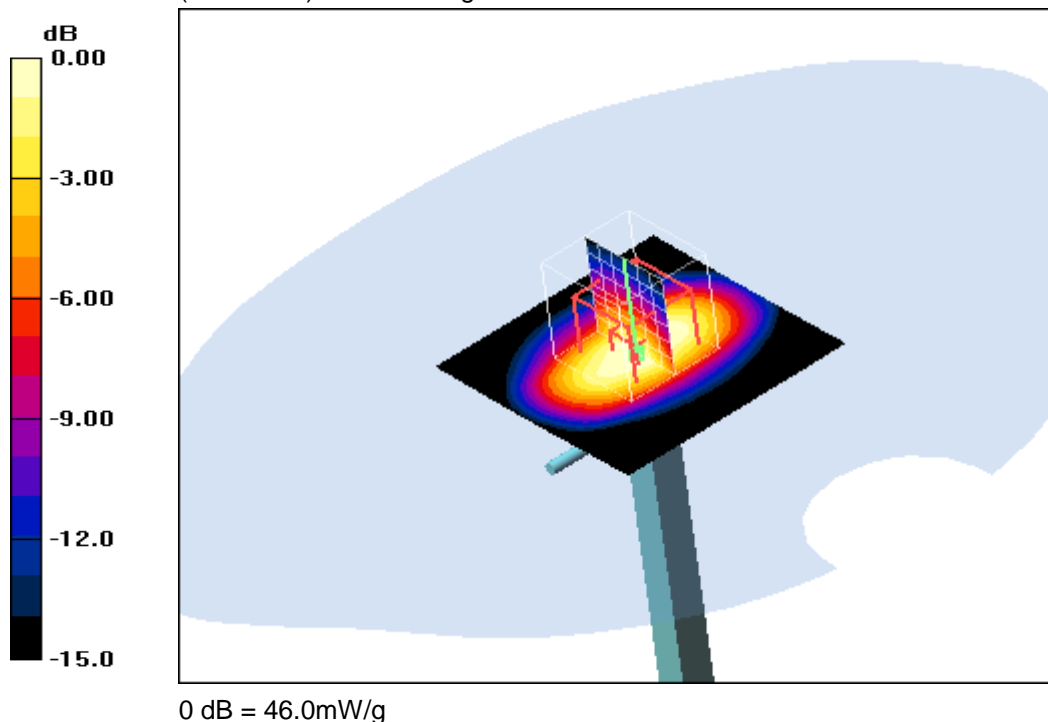
Phantom section: Flat Section

DASY4 Configuration:

- Probe: ET3DV6 - SN1558; ConvF(4.76, 4.76, 4.76); Calibrated: 11.08.2010
- Sensor-Surface: 4mm (Mechanical And Optical Surface Detection)
- Electronics: DAE3 Sn413; Calibrated: 13.01.2011
- Phantom: SAM 12; Type: SAM; Serial: 1043
- Measurement SW: DASY4, V4.5 Build 19; Postprocessing SW: SEMCAD, V1.8 Build 146

d=10mm, Pin=1000mW/Area Scan (51x51x1): Measurement grid: dx=15mm, dy=15mm
 Maximum value of SAR (interpolated) = 54.9 mW/g

d=10mm, Pin=1000mW/Zoom Scan (7x7x7) (7x7x7)/Cube 0: Measurement grid:
 dx=5mm, dy=5mm, dz=5mm
 Reference Value = 191.2 V/m; Power Drift = -0.00 dB
 Peak SAR (extrapolated) = 68.7 W/kg
SAR(1 g) = 40.8 mW/g; SAR(10 g) = 21.8 mW/g
 Maximum value of SAR (measured) = 46.0 mW/g



Additional information:

ambient temperature: 23.3°C; liquid temperature: 23.0°C

Date/Time: 25.03.2011 10:09:51 Date/Time: 25.03.2011 10:13:29

System Performance Check-D1900 head 2011-03-25

DUT: Dipole 1900 MHz; Type: D1900V2; Serial: 5d009

Communication System: CW; Frequency: 1900 MHz; Duty Cycle: 1:1

Medium: HSL1900 Medium parameters used: $f = 1900 \text{ MHz}$; $\sigma = 1.41 \text{ mho/m}$; $\epsilon_r = 39.6$; $\rho = 1000 \text{ kg/m}^3$

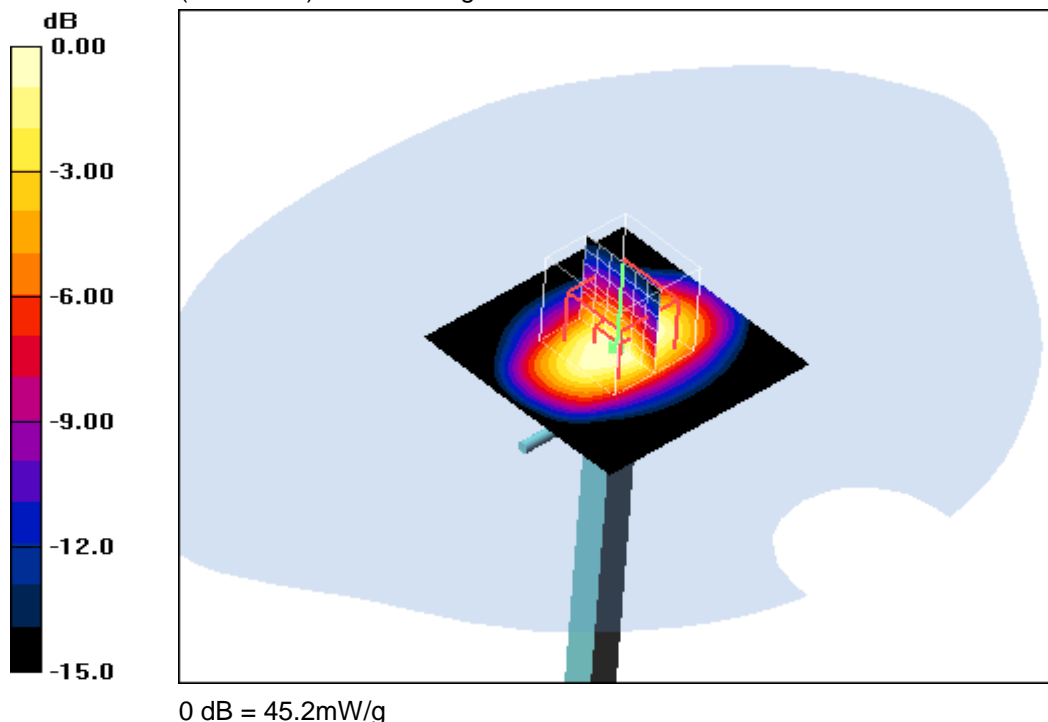
Phantom section: Flat Section

DASY4 Configuration:

- Probe: ET3DV6 - SN1558; ConvF(4.76, 4.76, 4.76); Calibrated: 11.08.2010
- Sensor-Surface: 4mm (Mechanical And Optical Surface Detection)
- Electronics: DAE3 Sn413; Calibrated: 13.01.2011
- Phantom: SAM 12; Type: SAM; Serial: 1043
- Measurement SW: DASY4, V4.5 Build 19; Postprocessing SW: SEMCAD, V1.8 Build 146

d=10mm, Pin=1000mW/Area Scan (51x51x1): Measurement grid: dx=15mm, dy=15mm
 Maximum value of SAR (interpolated) = 54.0 mW/g

d=10mm, Pin=1000mW/Zoom Scan (7x7x7) (7x7x7)/Cube 0: Measurement grid:
 dx=5mm, dy=5mm, dz=5mm
 Reference Value = 191.2 V/m; Power Drift = 0.01 dB
 Peak SAR (extrapolated) = 67.9 W/kg
SAR(1 g) = 40.2 mW/g; SAR(10 g) = 21.3 mW/g
 Maximum value of SAR (measured) = 45.2 mW/g



Additional information:

ambient temperature: 23,6 °C; liquid temperature: 22,9°C

Date/Time: 26.03.2011 13:03:53 Date/Time: 26.03.2011 13:07:31

System Performance Check-D1900 head 2011-03-26

DUT: Dipole 1900 MHz; Type: D1900V2; Serial: 5d009

Communication System: CW; Frequency: 1900 MHz; Duty Cycle: 1:1

Medium: HSL1900 Medium parameters used: $f = 1900 \text{ MHz}$; $\sigma = 1.41 \text{ mho/m}$; $\epsilon_r = 39.6$; $\rho = 1000 \text{ kg/m}^3$

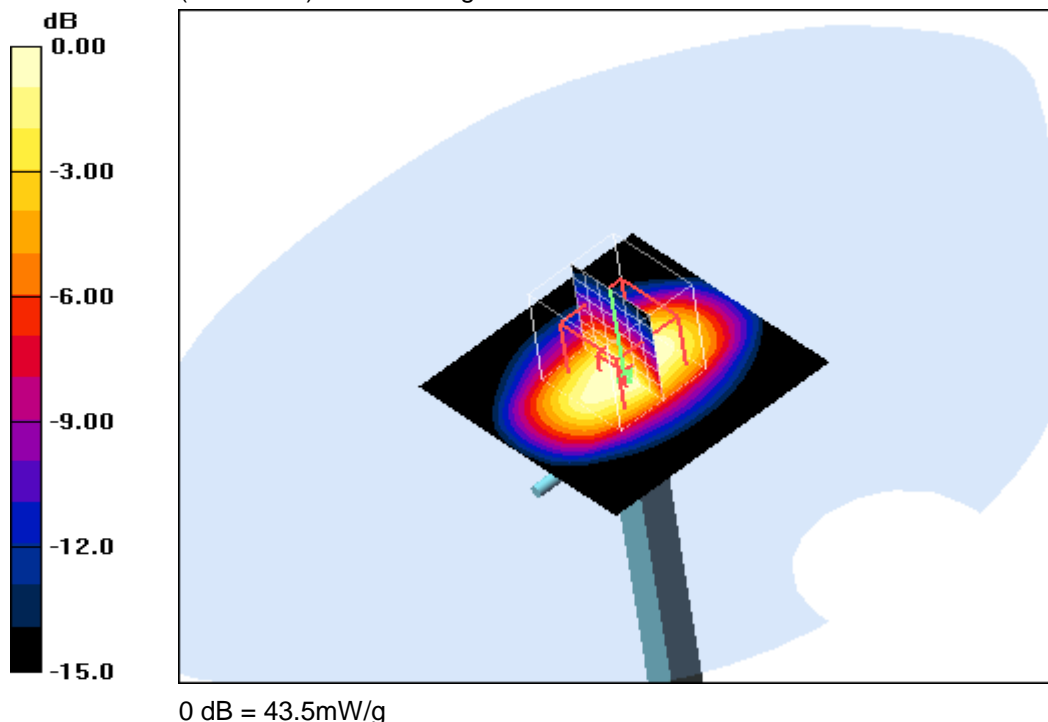
Phantom section: Flat Section

DASY4 Configuration:

- Probe: ET3DV6 - SN1558; ConvF(4.76, 4.76, 4.76); Calibrated: 11.08.2010
- Sensor-Surface: 4mm (Mechanical And Optical Surface Detection)
- Electronics: DAE3 Sn413; Calibrated: 13.01.2011
- Phantom: SAM 12; Type: SAM; Serial: 1043
- Measurement SW: DASY4, V4.5 Build 19; Postprocessing SW: SEMCAD, V1.8 Build 146

d=10mm, Pin=1000mW/Area Scan (51x51x1): Measurement grid: dx=15mm, dy=15mm
 Maximum value of SAR (interpolated) = 52.5 mW/g

d=10mm, Pin=1000mW/Zoom Scan (7x7x7) (7x7x7)/Cube 0: Measurement grid:
 dx=5mm, dy=5mm, dz=5mm
 Reference Value = 188.7 V/m; Power Drift = -0.019 dB
 Peak SAR (extrapolated) = 66.8 W/kg
SAR(1 g) = 38.7 mW/g; SAR(10 g) = 20.5 mW/g
 Maximum value of SAR (measured) = 43.5 mW/g



Additional information:

ambient temperature: 21.3 °C; liquid temperature: 21.0 °C

Date/Time: 14.03.2011 09:09:58 Date/Time: 14.03.2011 09:13:34

System Performance Check-D1900 body 2011-03-14

DUT: Dipole 1900 MHz; Type: D1900V2; Serial: 5d009

Communication System: CW; Frequency: 1900 MHz; Duty Cycle: 1:1

Medium: M1900 Medium parameters used: $f = 1900 \text{ MHz}$; $\sigma = 1.53 \text{ mho/m}$; $\epsilon_r = 52.7$; $\rho = 1000 \text{ kg/m}^3$

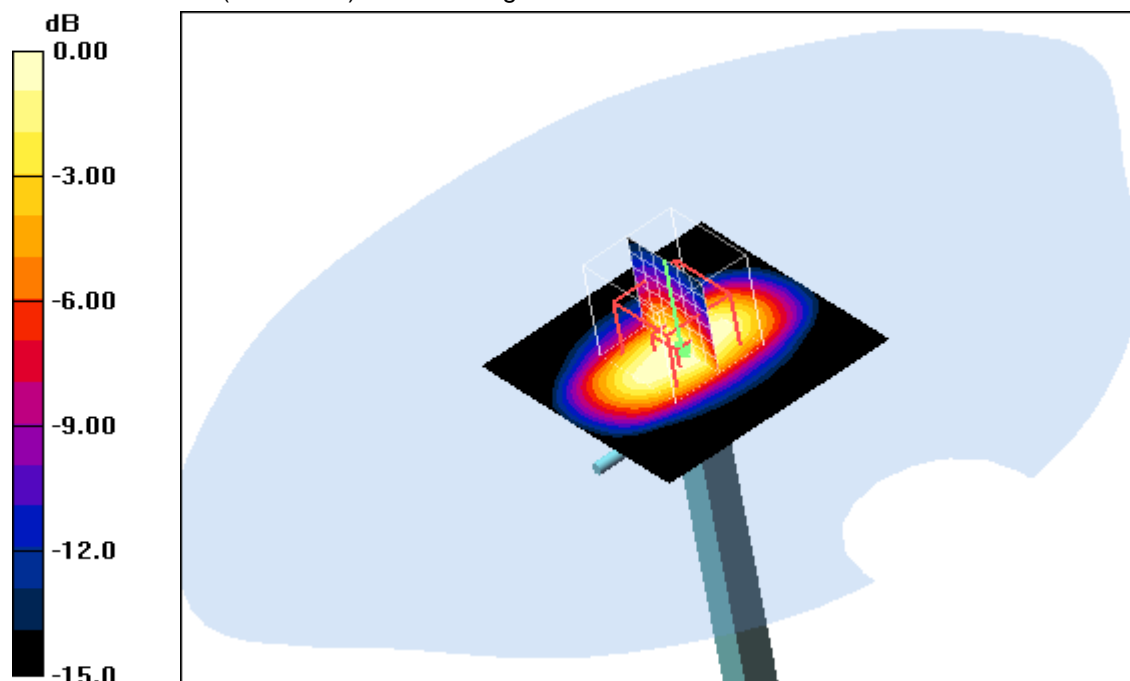
Phantom section: Flat Section

DASY4 Configuration:

- Probe: ET3DV6 - SN1558; ConvF(4.35, 4.35, 4.35); Calibrated: 11.08.2010
- Sensor-Surface: 4mm (Mechanical And Optical Surface Detection)
- Electronics: DAE3 Sn413; Calibrated: 13.01.2011
- Phantom: SAM 12; Type: SAM; Serial: 1043
- Measurement SW: DASY4, V4.5 Build 19; Postprocessing SW: SEMCAD, V1.8 Build 146

d=10mm, Pin=1000mW/Area Scan (51x51x1): Measurement grid: $dx=15\text{mm}$, $dy=15\text{mm}$
 Maximum value of SAR (interpolated) = 55.7 mW/g

d=10mm, Pin=1000mW/Zoom Scan (7x7x7) (7x7x7)/Cube 0: Measurement grid:
 $dx=5\text{mm}$, $dy=5\text{mm}$, $dz=5\text{mm}$
 Reference Value = 185.4 V/m; Power Drift = -0.00 dB
 Peak SAR (extrapolated) = 64.3 W/kg
SAR(1 g) = 38.2 mW/g; SAR(10 g) = 20.6 mW/g
 Maximum value of SAR (measured) = 43.9 mW/g



0 dB = 43.9mW/g

Additional information:

ambient temperature: 23.0°C; liquid temperature: 21.9°C

Date/Time: 12.05.2011 14:53:39 Date/Time: 12.05.2011 14:57:18

System Performance Check-D1900 body 2011-05-12

DUT: Dipole 1900 MHz; Type: D1900V2; Serial: 5d009

Communication System: CW; Frequency: 1900 MHz; Duty Cycle: 1:1

Medium: M1900 Medium parameters used: $f = 1900$ MHz; $\sigma = 1.5$ mho/m; $\epsilon_r = 53.1$; $\rho = 1000$ kg/m³

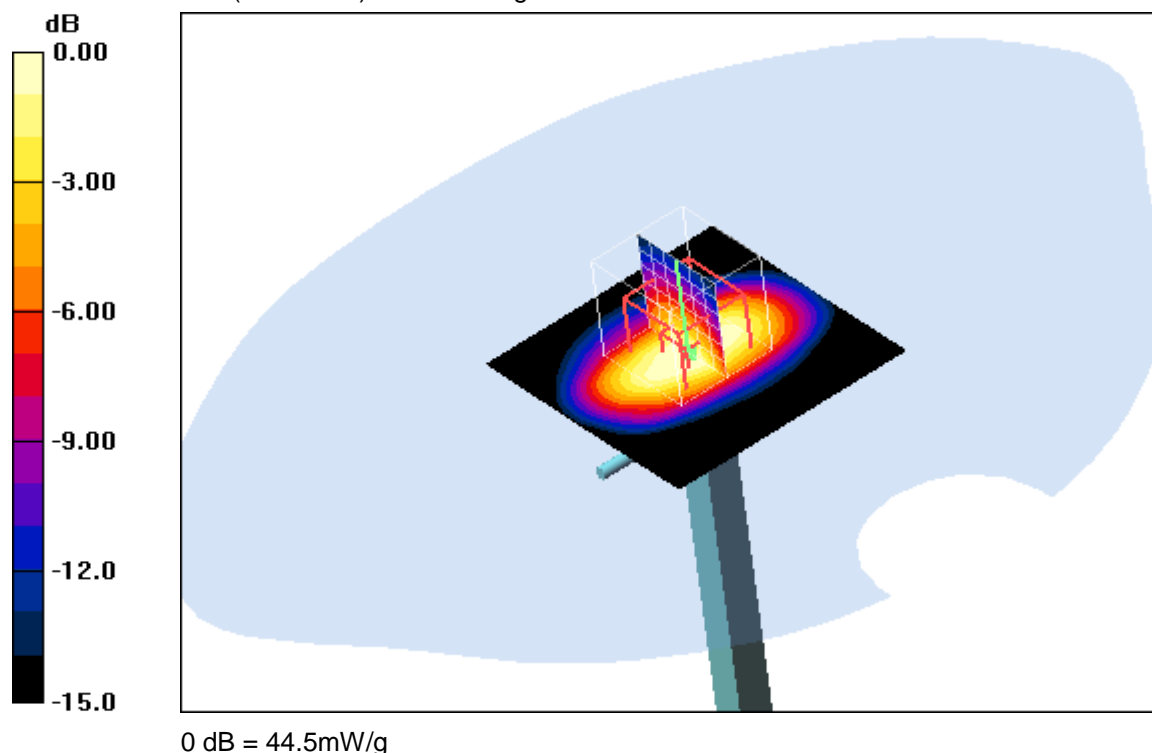
Phantom section: Flat Section

DASY4 Configuration:

- Probe: ET3DV6 - SN1558; ConvF(4.35, 4.35, 4.35); Calibrated: 11.08.2010
- Sensor-Surface: 4mm (Mechanical And Optical Surface Detection)
- Electronics: DAE3 Sn413; Calibrated: 13.01.2011
- Phantom: SAM 12; Type: SAM; Serial: 1043
- Measurement SW: DASY4, V4.5 Build 19; Postprocessing SW: SEMCAD, V1.8 Build 146

d=10mm, Pin=1000mW/Area Scan (51x51x1): Measurement grid: dx=15mm, dy=15mm
Maximum value of SAR (interpolated) = 53.0 mW/g

d=10mm, Pin=1000mW/Zoom Scan (7x7x7) (7x7x7)/Cube 0: Measurement grid:
dx=5mm, dy=5mm, dz=5mm
Reference Value = 183.1 V/m; Power Drift = 0.021 dB
Peak SAR (extrapolated) = 64.0 W/kg
SAR(1 g) = 38.8 mW/g; SAR(10 g) = 21.1 mW/g
Maximum value of SAR (measured) = 44.5 mW/g



Additional information:

ambient temperature: 23.5°C; liquid temperature: 23.5°C

Date/Time: 06.04.2011 13:28:11 Date/Time: 06.04.2011 13:31:48

System Performance Check-D2450 head 2011-04-06

DUT: Dipole 2450 MHz; Type: D2450V2; Serial: 710

Communication System: CW; Frequency: 2450 MHz; Duty Cycle: 1:1

Medium: HSL2450 Medium parameters used: $f = 2450$ MHz; $\sigma = 1.85$ mho/m; $\epsilon_r = 38.8$; $\rho = 1000$ kg/m³

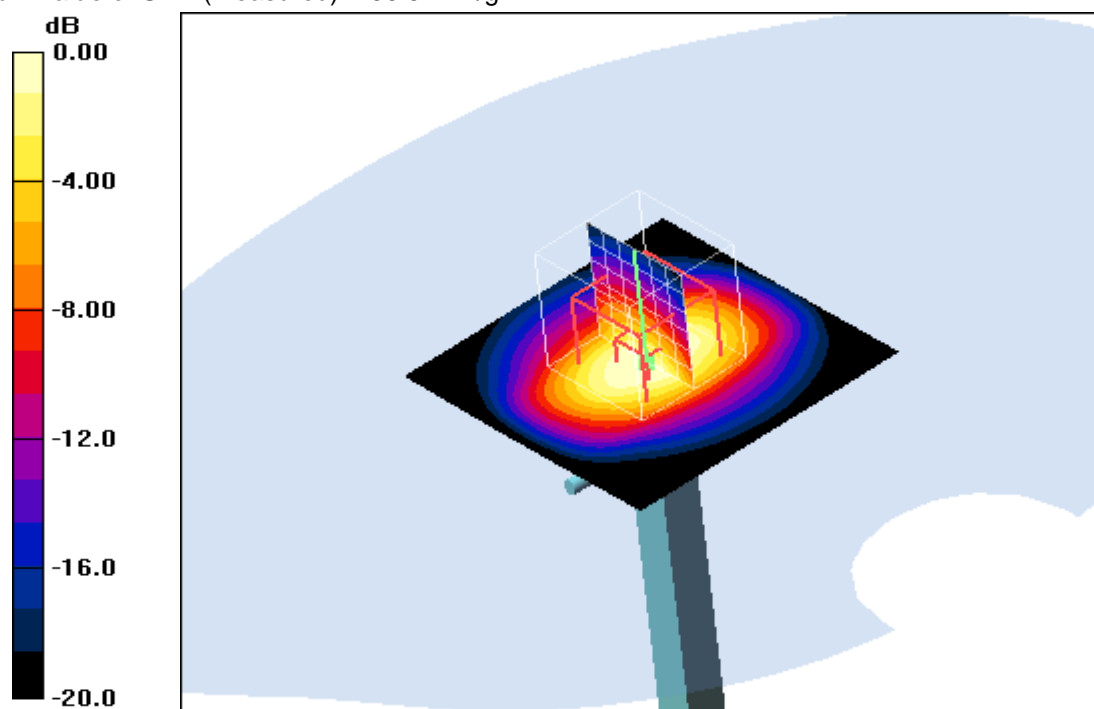
Phantom section: Flat Section

DASY4 Configuration:

- Probe: ET3DV6 - SN1558; ConvF(4.14, 4.14, 4.14); Calibrated: 11.08.2010
- Sensor-Surface: 4mm (Mechanical And Optical Surface Detection)
- Electronics: DAE3 Sn413; Calibrated: 13.01.2011
- Phantom: SAM 12; Type: SAM; Serial: 1043
- Measurement SW: DASY4, V4.5 Build 19; Postprocessing SW: SEMCAD, V1.8 Build 146

d=10mm, Pin=1000mW/Area Scan (51x51x1): Measurement grid: dx=15mm, dy=15mm
Maximum value of SAR (interpolated) = 78.5 mW/g

d=10mm, Pin=1000mW/Zoom Scan (7x7x7) (7x7x7)/Cube 0: Measurement grid:
dx=5mm, dy=5mm, dz=5mm
Reference Value = 187.1 V/m; Power Drift = -0.013 dB
Peak SAR (extrapolated) = 113.7 W/kg
SAR(1 g) = 53.8 mW/g; SAR(10 g) = 25.2 mW/g
Maximum value of SAR (measured) = 60.5 mW/g



0 dB = 60.5mW/g

Additional information:

ambient temperature: 22.7°C; liquid temperature: 22.2°C

Date/Time: 07.04.2011 10:32:29 Date/Time: 07.04.2011 10:36:07

System Performance Check-D2450 head 2011-04-07

DUT: Dipole 2450 MHz; Type: D2450V2; Serial: 710

Communication System: CW; Frequency: 2450 MHz; Duty Cycle: 1:1

Medium: HSL2450 Medium parameters used: $f = 2450 \text{ MHz}$; $\sigma = 1.85 \text{ mho/m}$; $\epsilon_r = 38.8$; $\rho = 1000 \text{ kg/m}^3$

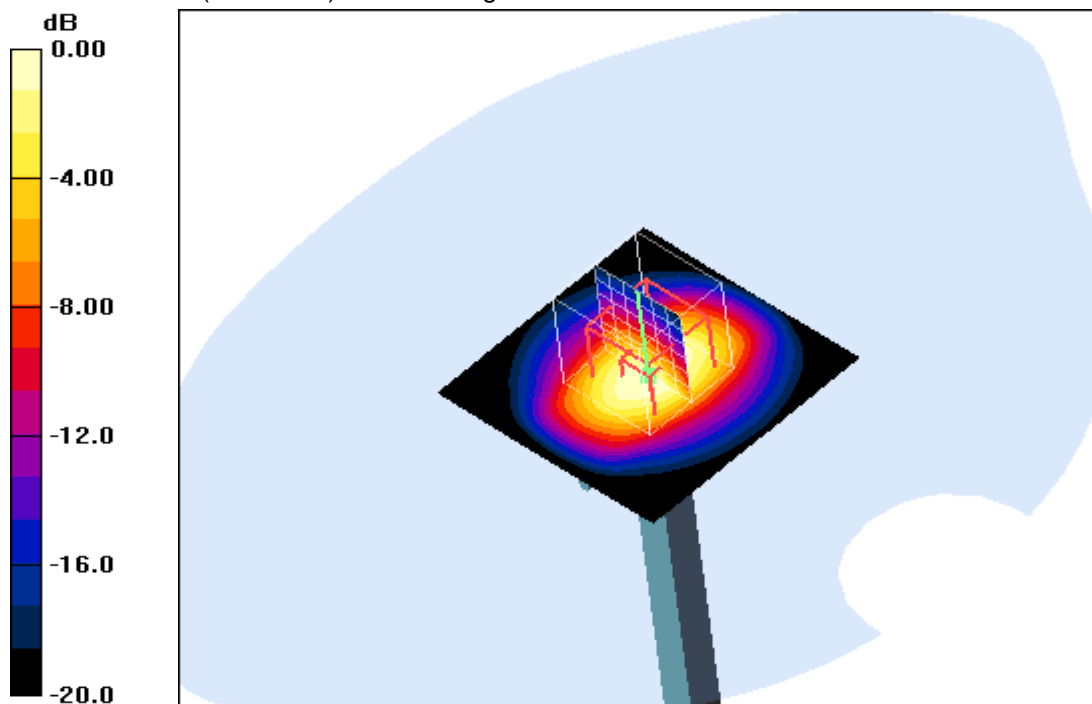
Phantom section: Flat Section

DASY4 Configuration:

- Probe: ET3DV6 - SN1558; ConvF(4.14, 4.14, 4.14); Calibrated: 11.08.2010
- Sensor-Surface: 4mm (Mechanical And Optical Surface Detection)
- Electronics: DAE3 Sn413; Calibrated: 13.01.2011
- Phantom: SAM 12; Type: SAM; Serial: 1043
- Measurement SW: DASY4, V4.5 Build 19; Postprocessing SW: SEMCAD, V1.8 Build 146

d=10mm, Pin=1000mW/Area Scan (51x51x1): Measurement grid: dx=15mm, dy=15mm
 Maximum value of SAR (interpolated) = 78.0 mW/g

d=10mm, Pin=1000mW/Zoom Scan (7x7x7) (7x7x7)/Cube 0: Measurement grid:
 dx=5mm, dy=5mm, dz=5mm
 Reference Value = 189.6 V/m; Power Drift = -0.030 dB
 Peak SAR (extrapolated) = 113.8 W/kg
SAR(1 g) = 53.2 mW/g; SAR(10 g) = 24.5 mW/g
 Maximum value of SAR (measured) = 60.0 mW/g



0 dB = 60.0mW/g

Additional information:

ambient temperature: 22.7°C; liquid temperature: 22.4°C

Date/Time: 09.04.2011 11:40:34 Date/Time: 09.04.2011 11:44:12

System Performance Check-D2450 body 2011-04-09

DUT: Dipole 2450 MHz; Type: D2450V2; Serial: 710

Communication System: CW; Frequency: 2450 MHz; Duty Cycle: 1:1

Medium: M2450 Medium parameters used: $f = 2450 \text{ MHz}$; $\sigma = 1.97 \text{ mho/m}$; $\epsilon_r = 51.7$; $\rho = 1000 \text{ kg/m}^3$

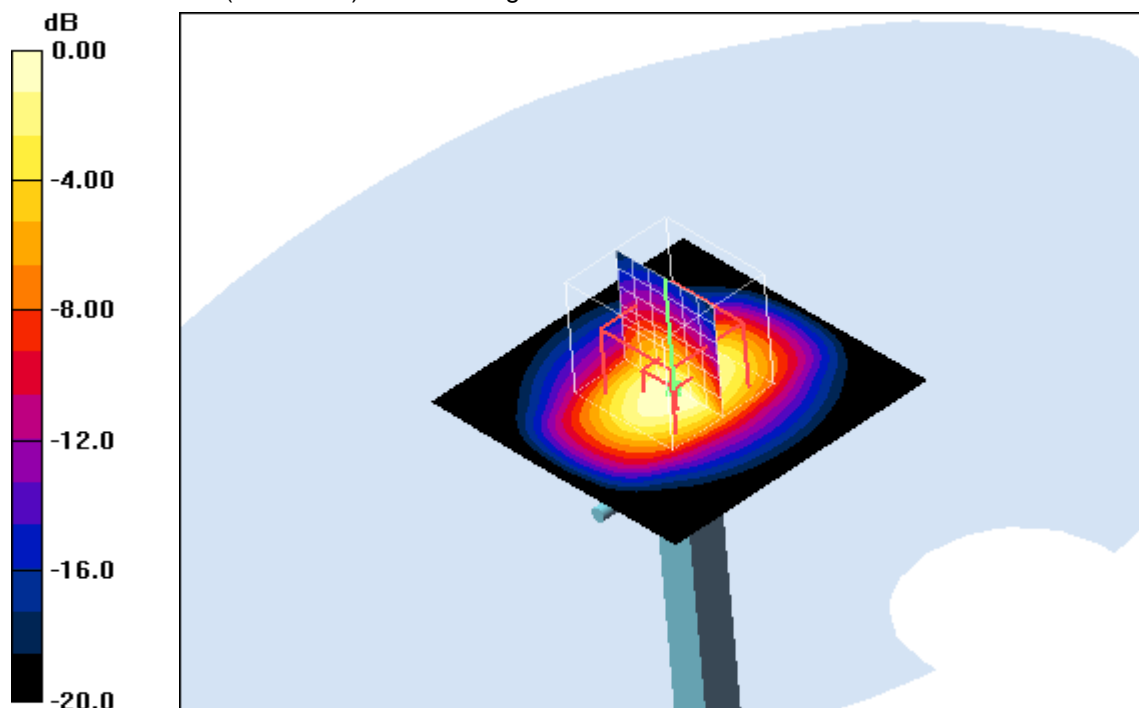
Phantom section: Flat Section

DASY4 Configuration:

- Probe: ET3DV6 - SN1558; ConvF(4.03, 4.03, 4.03); Calibrated: 11.08.2010
- Sensor-Surface: 4mm (Mechanical And Optical Surface Detection)
- Electronics: DAE3 Sn413; Calibrated: 13.01.2011
- Phantom: SAM 12; Type: SAM; Serial: 1043
- Measurement SW: DASY4, V4.5 Build 19; Postprocessing SW: SEMCAD, V1.8 Build 146

d=10mm, Pin=1000mW/Area Scan (51x51x1): Measurement grid: dx=15mm, dy=15mm
 Maximum value of SAR (interpolated) = 79.5 mW/g

d=10mm, Pin=1000mW/Zoom Scan (7x7x7) (7x7x7)/Cube 0: Measurement grid:
 dx=5mm, dy=5mm, dz=5mm
 Reference Value = 186.4 V/m; Power Drift = 0.047 dB
 Peak SAR (extrapolated) = 101.3 W/kg
SAR(1 g) = 55.4 mW/g; SAR(10 g) = 25.6 mW/g
 Maximum value of SAR (measured) = 62.6 mW/g



0 dB = 62.6mW/g

Additional information:

ambient temperature: 21.7°C; liquid temperature: 21.6°C

Date/Time: 11.04.2011 09:28:54 Date/Time: 11.04.2011 09:32:32

System Performance Check-D2450 body 2011-04-11

DUT: Dipole 2450 MHz; Type: D2450V2; Serial: 710

Communication System: CW; Frequency: 2450 MHz; Duty Cycle: 1:1

Medium: M2450 Medium parameters used: $f = 2450$ MHz; $\sigma = 1.97$ mho/m; $\epsilon_r = 51.7$; $\rho = 1000$ kg/m³

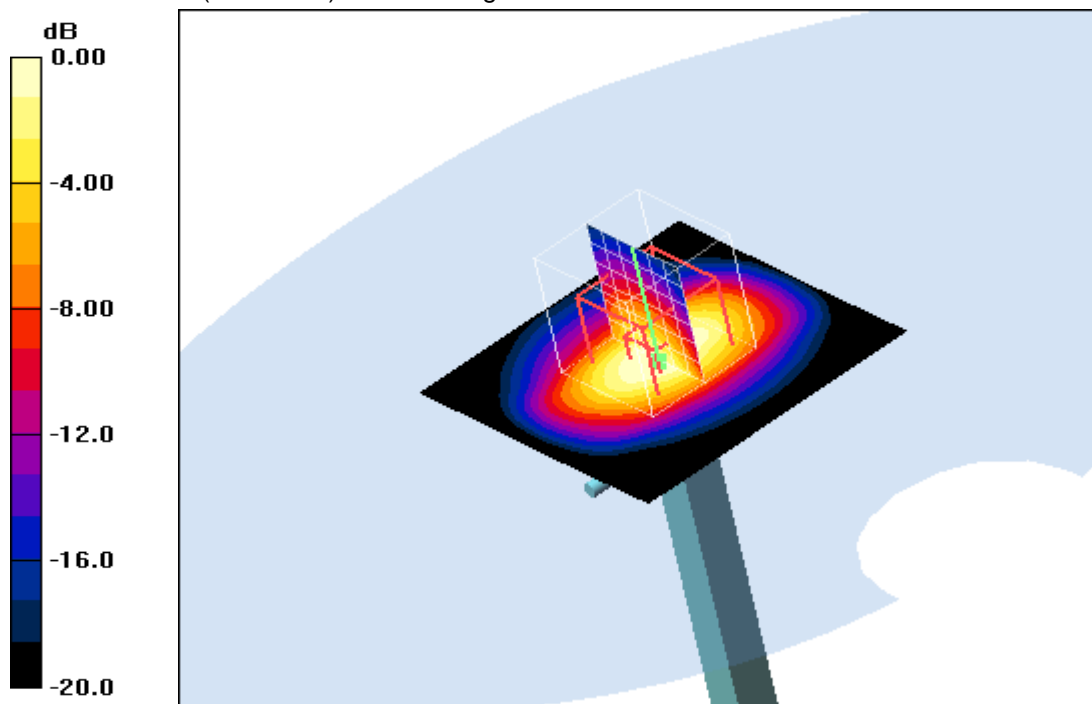
Phantom section: Flat Section

DASY4 Configuration:

- Probe: ET3DV6 - SN1558; ConvF(4.03, 4.03, 4.03); Calibrated: 11.08.2010
- Sensor-Surface: 4mm (Mechanical And Optical Surface Detection)
- Electronics: DAE3 Sn413; Calibrated: 13.01.2011
- Phantom: SAM 12; Type: SAM; Serial: 1043
- Measurement SW: DASY4, V4.5 Build 19; Postprocessing SW: SEMCAD, V1.8 Build 146

d=10mm, Pin=1000mW/Area Scan (51x51x1): Measurement grid: dx=15mm, dy=15mm
Maximum value of SAR (interpolated) = 74.8 mW/g

d=10mm, Pin=1000mW/Zoom Scan (7x7x7) (7x7x7)/Cube 0: Measurement grid:
dx=5mm, dy=5mm, dz=5mm
Reference Value = 177.6 V/m; Power Drift = -0.068 dB
Peak SAR (extrapolated) = 107.8 W/kg
SAR(1 g) = 53.9 mW/g; SAR(10 g) = 25 mW/g
Maximum value of SAR (measured) = 60.1 mW/g



0 dB = 60.1mW/g

Additional information:

ambient temperature: 22.5°C; liquid temperature: 22.2°C

Annex B: DASY4 measurement results

Annex B.1: GSM 850MHz head

Date/Time: 21.03.2011 15:42:18 Date/Time: 21.03.2011 15:48:50

IEEE1528_OET65-LeftHandSide-GSM850

DUT: Sony Ericsson; Type: AAD-3880111-BV; Serial: CB5A1CHJXX

Communication System: PCS 850; Frequency: 824.2 MHz; Duty Cycle: 1:8

Medium: HSL850 Medium parameters used: $f = 824.2 \text{ MHz}$; $\sigma = 0.91 \text{ mho/m}$; $\epsilon_r = 42.8$; $\rho = 1000 \text{ kg/m}^3$

Phantom section: Left Section

DASY4 Configuration:

- Probe: ET3DV6 - SN1559; ConvF(6.33, 6.33, 6.33); Calibrated: 19.01.2011
- Sensor-Surface: 4mm (Mechanical And Optical Surface Detection)
- Electronics: DAE3 Sn477; Calibrated: 07.05.2010
- Phantom: SAM left; Type: SAM; Serial: 1041
- Measurement SW: DASY4, V4.7 Build 71; Postprocessing SW: SEMCAD, V1.8 Build 146

Touch position - Low/Area Scan (51x91x1): Measurement grid: $dx=15\text{mm}$, $dy=15\text{mm}$

Maximum value of SAR (interpolated) = 0.415 mW/g

Touch position - Low/Zoom Scan (7x7x7) (7x7x7)/Cube 0: Measurement grid:

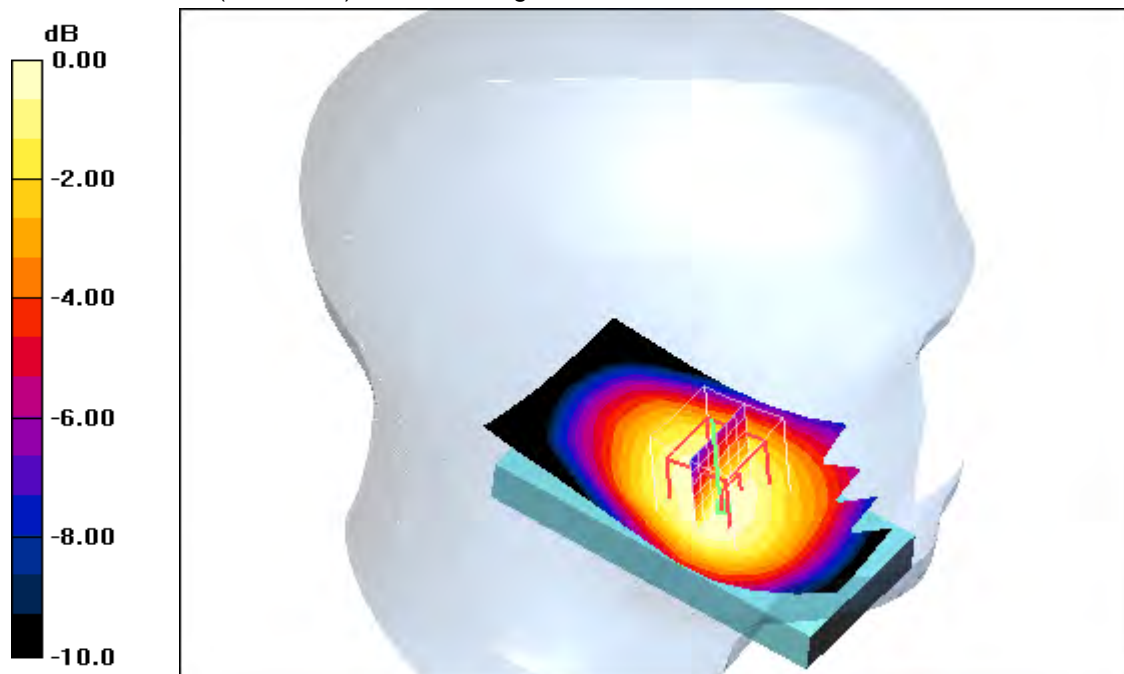
$dx=5\text{mm}$, $dy=5\text{mm}$, $dz=5\text{mm}$

Reference Value = 21.8 V/m; Power Drift = -0.122 dB

Peak SAR (extrapolated) = 0.477 W/kg

SAR(1 g) = 0.388 mW/g; SAR(10 g) = 0.297 mW/g

Maximum value of SAR (measured) = 0.405 mW/g



Additional information:

ambient temperature: 22.3°C; liquid temperature: 20.9°C

Date/Time: 21.03.2011 16:06:32 Date/Time: 21.03.2011 16:12:58

IEEE1528_OET65-LeftHandSide-GSM850

DUT: Sony Ericsson; Type: AAD-3880111-BV; Serial: CB5A1CHJXX

Communication System: PCS 850; Frequency: 836.6 MHz; Duty Cycle: 1:8

Medium: HSL850 Medium parameters used: $f = 836.6 \text{ MHz}$; $\sigma = 0.91 \text{ mho/m}$; $\epsilon_r = 42.8$; $\rho = 1000 \text{ kg/m}^3$

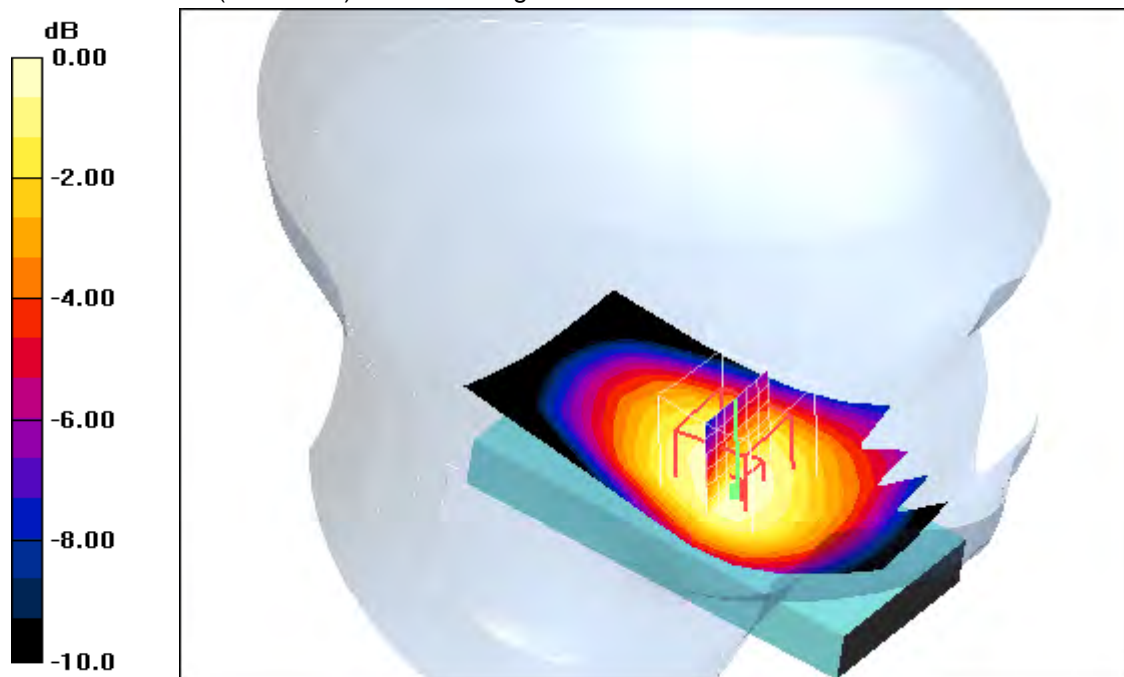
Phantom section: Left Section

DASY4 Configuration:

- Probe: ET3DV6 - SN1559; ConvF(6.33, 6.33, 6.33); Calibrated: 19.01.2011
- Sensor-Surface: 4mm (Mechanical And Optical Surface Detection)
- Electronics: DAE3 Sn477; Calibrated: 07.05.2010
- Phantom: SAM left; Type: SAM; Serial: 1041
- Measurement SW: DASY4, V4.7 Build 71; Postprocessing SW: SEMCAD, V1.8 Build 146

Touch position - Middle/Area Scan (51x91x1): Measurement grid: $dx=15\text{mm}$, $dy=15\text{mm}$
 Maximum value of SAR (interpolated) = 0.360 mW/g

Touch position - Middle/Zoom Scan (7x7x7) (7x7x7)/Cube 0: Measurement grid:
 $dx=5\text{mm}$, $dy=5\text{mm}$, $dz=5\text{mm}$
 Reference Value = 20.4 V/m; Power Drift = -0.051 dB
 Peak SAR (extrapolated) = 0.441 W/kg
SAR(1 g) = 0.350 mW/g; SAR(10 g) = 0.267 mW/g
 Maximum value of SAR (measured) = 0.370 mW/g



0 dB = 0.370mW/g

Additional information:

ambient temperature: 22.3°C; liquid temperature: 20.9°C

Date/Time: 21.03.2011 16:29:32 Date/Time: 21.03.2011 16:36:12

IEEE1528_OET65-LeftHandSide-GSM850**DUT: Sony Ericsson; Type: AAD-3880111-BV; Serial: CB5A1CHJXX**

Communication System: PCS 850; Frequency: 848.8 MHz; Duty Cycle: 1:8

Medium: HSL850 Medium parameters used: $f = 848.8 \text{ MHz}$; $\sigma = 0.91 \text{ mho/m}$; $\epsilon_r = 42.8$; $\rho = 1000 \text{ kg/m}^3$

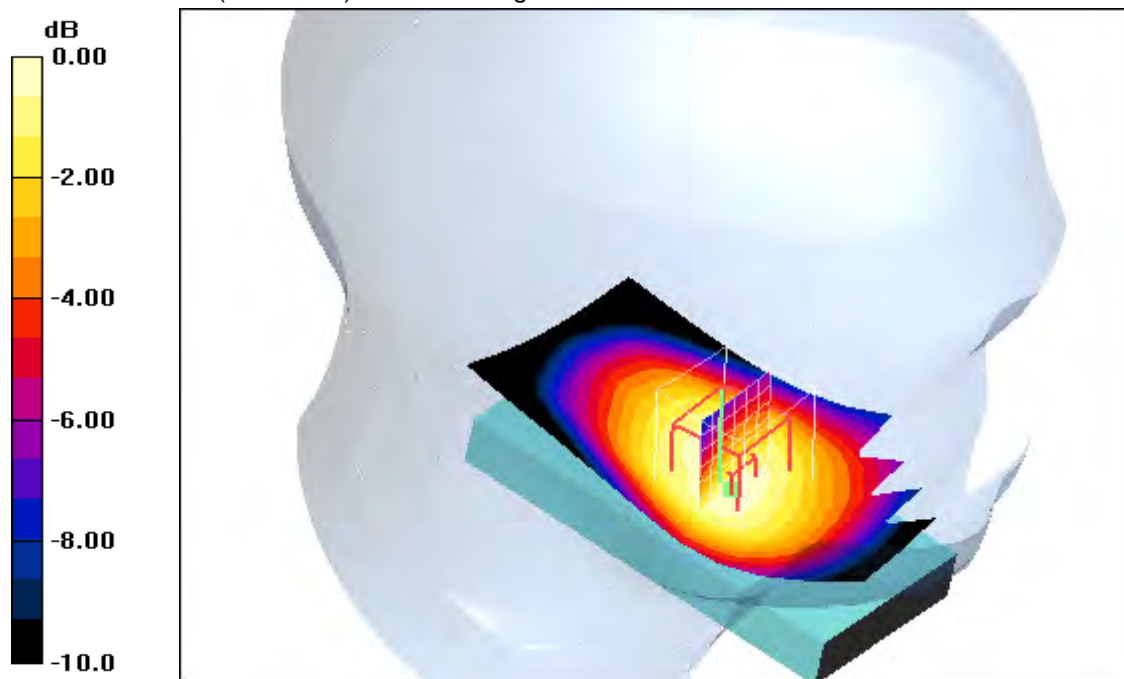
Phantom section: Left Section

DASY4 Configuration:

- Probe: ET3DV6 - SN1559; ConvF(6.33, 6.33, 6.33); Calibrated: 19.01.2011
- Sensor-Surface: 4mm (Mechanical And Optical Surface Detection)
- Electronics: DAE3 Sn477; Calibrated: 07.05.2010
- Phantom: SAM left; Type: SAM; Serial: 1041
- Measurement SW: DASY4, V4.7 Build 71; Postprocessing SW: SEMCAD, V1.8 Build 146

Touch position - High/Area Scan (51x91x1): Measurement grid: $dx=15\text{mm}$, $dy=15\text{mm}$
 Maximum value of SAR (interpolated) = 0.348 mW/g

Touch position - High/Zoom Scan (7x7x7) (7x7x7)/Cube 0: Measurement grid:
 $dx=5\text{mm}$, $dy=5\text{mm}$, $dz=5\text{mm}$
 Reference Value = 19.7 V/m; Power Drift = 0.00 dB
 Peak SAR (extrapolated) = 0.422 W/kg
SAR(1 g) = 0.343 mW/g; SAR(10 g) = 0.261 mW/g
 Maximum value of SAR (measured) = 0.360 mW/g



0 dB = 0.360mW/g

Additional information:

ambient temperature: 22.3°C; liquid temperature: 20.9°C

Date/Time: 21.03.2011 17:15:41 Date/Time: 21.03.2011 17:21:44

IEEE1528_OET65-LeftHandSide-GSM850

DUT: Sony Ericsson; Type: AAD-3880111-BV; Serial: CB5A1CHJXX

Communication System: PCS 850; Frequency: 824.2 MHz; Duty Cycle: 1:8

Medium: HSL850 Medium parameters used: $f = 824.2 \text{ MHz}$; $\sigma = 0.91 \text{ mho/m}$; $\epsilon_r = 42.8$; $\rho = 1000 \text{ kg/m}^3$

Phantom section: Left Section

DASY4 Configuration:

- Probe: ET3DV6 - SN1559; ConvF(6.33, 6.33, 6.33); Calibrated: 19.01.2011
- Sensor-Surface: 4mm (Mechanical And Optical Surface Detection)
- Electronics: DAE3 Sn477; Calibrated: 07.05.2010
- Phantom: SAM left; Type: SAM; Serial: 1041
- Measurement SW: DASY4, V4.7 Build 71; Postprocessing SW: SEMCAD, V1.8 Build 146

Tilt position - Low/Area Scan (51x91x1): Measurement grid: $dx=15\text{mm}$, $dy=15\text{mm}$

Maximum value of SAR (interpolated) = 0.297 mW/g

Tilt position - Low/Zoom Scan (7x7x7) (7x7x7)/Cube 0: Measurement grid: $dx=5\text{mm}$,

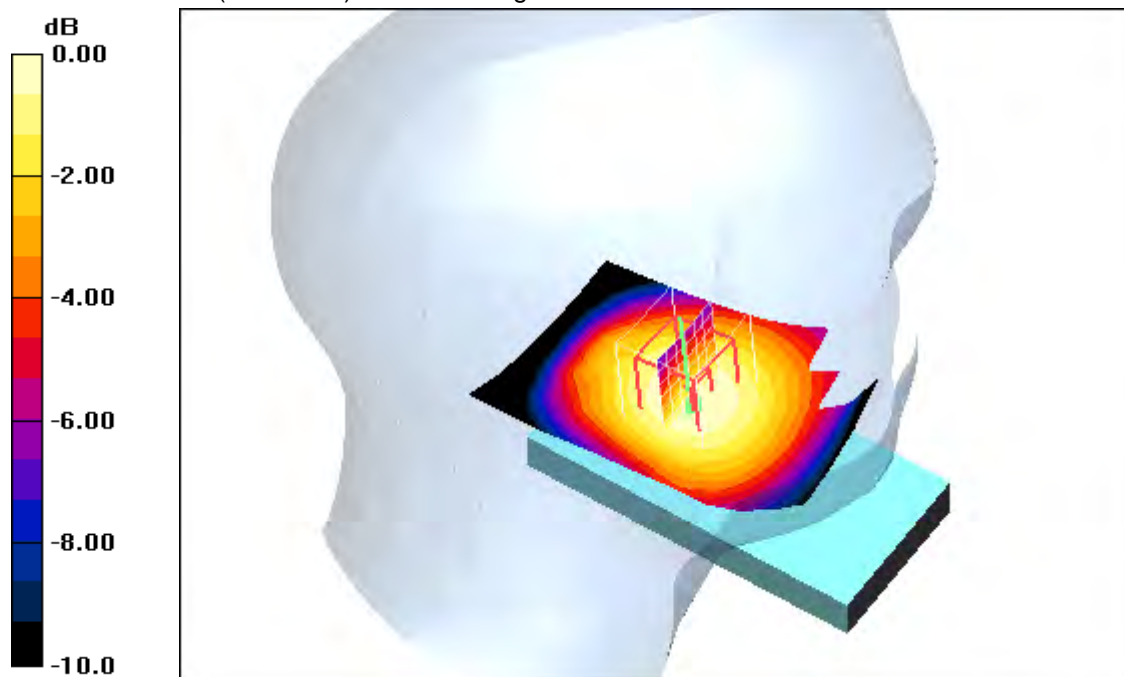
$dy=5\text{mm}$, $dz=5\text{mm}$

Reference Value = 18.2 V/m; Power Drift = -0.060 dB

Peak SAR (extrapolated) = 0.344 W/kg

SAR(1 g) = 0.284 mW/g; SAR(10 g) = 0.215 mW/g

Maximum value of SAR (measured) = 0.295 mW/g



0 dB = 0.295mW/g

Additional information:

ambient temperature: 22.3°C; liquid temperature: 20.9°C

Date/Time: 21.03.2011 17:36:06 Date/Time: 21.03.2011 17:43:03

IEEE1528_OET65-LeftHandSide-GSM850

DUT: Sony Ericsson; Type: AAD-3880111-BV; Serial: CB5A1CHJXX

Communication System: PCS 850; Frequency: 836.6 MHz; Duty Cycle: 1:8

Medium: HSL850 Medium parameters used: $f = 836.6 \text{ MHz}$; $\sigma = 0.91 \text{ mho/m}$; $\epsilon_r = 42.8$; $\rho = 1000 \text{ kg/m}^3$

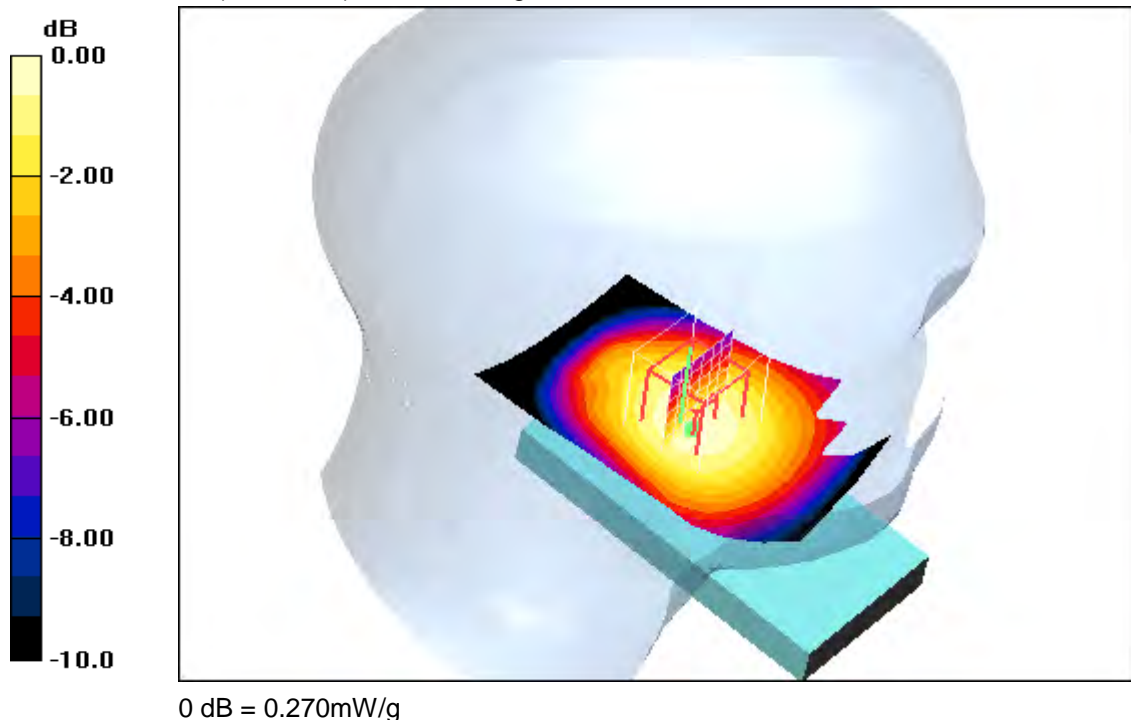
Phantom section: Left Section

DASY4 Configuration:

- Probe: ET3DV6 - SN1559; ConvF(6.33, 6.33, 6.33); Calibrated: 19.01.2011
- Sensor-Surface: 4mm (Mechanical And Optical Surface Detection)
- Electronics: DAE3 Sn477; Calibrated: 07.05.2010
- Phantom: SAM left; Type: SAM; Serial: 1041
- Measurement SW: DASY4, V4.7 Build 71; Postprocessing SW: SEMCAD, V1.8 Build 146

Tilt position - Middle/Area Scan (51x91x1): Measurement grid: $dx=15\text{mm}$, $dy=15\text{mm}$
 Maximum value of SAR (interpolated) = 0.265 mW/g

Tilt position - Middle/Zoom Scan (7x7x7) (7x7x7)/Cube 0: Measurement grid:
 $dx=5\text{mm}$, $dy=5\text{mm}$, $dz=5\text{mm}$
 Reference Value = 17.4 V/m; Power Drift = -0.01 dB
 Peak SAR (extrapolated) = 0.314 W/kg
SAR(1 g) = 0.259 mW/g; SAR(10 g) = 0.195 mW/g
 Maximum value of SAR (measured) = 0.270 mW/g



Additional information:
 ambient temperature: 22.3°C; liquid temperature: 20.9°C

Date/Time: 21.03.2011 16:54:12 Date/Time: 21.03.2011 17:00:15

IEEE1528_OET65-LeftHandSide-GSM850

DUT: Sony Ericsson; Type: AAD-3880111-BV; Serial: CB5A1CHJXX

Communication System: PCS 850; Frequency: 848.8 MHz; Duty Cycle: 1:8

Medium: HSL850 Medium parameters used: $f = 848.8 \text{ MHz}$; $\sigma = 0.91 \text{ mho/m}$; $\epsilon_r = 42.8$; $\rho = 1000 \text{ kg/m}^3$

Phantom section: Left Section

DASY4 Configuration:

- Probe: ET3DV6 - SN1559; ConvF(6.33, 6.33, 6.33); Calibrated: 19.01.2011
- Sensor-Surface: 4mm (Mechanical And Optical Surface Detection)
- Electronics: DAE3 Sn477; Calibrated: 07.05.2010
- Phantom: SAM left; Type: SAM; Serial: 1041
- Measurement SW: DASY4, V4.7 Build 71; Postprocessing SW: SEMCAD, V1.8 Build 146

Tilt position - High/Area Scan (51x91x1): Measurement grid: $dx=15\text{mm}$, $dy=15\text{mm}$

Maximum value of SAR (interpolated) = 0.269 mW/g

Tilt position - High/Zoom Scan (7x7x7) (7x7x7)/Cube 0: Measurement grid: $dx=5\text{mm}$,

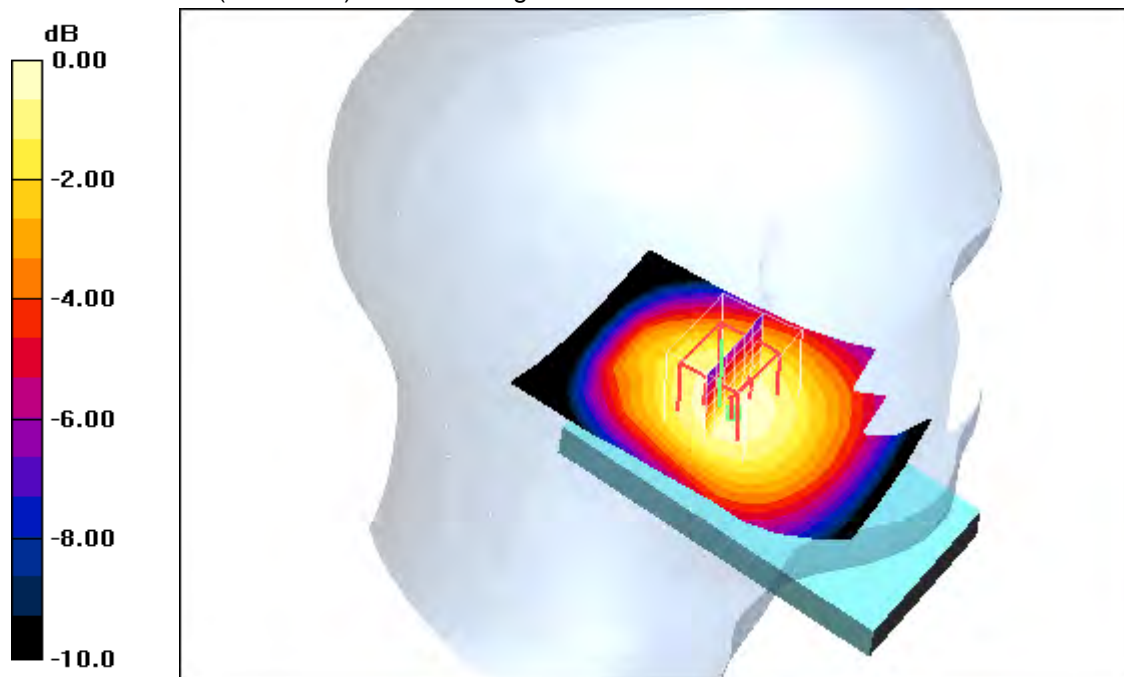
$dy=5\text{mm}$, $dz=5\text{mm}$

Reference Value = 17.4 V/m; Power Drift = -0.042 dB

Peak SAR (extrapolated) = 0.322 W/kg

SAR(1 g) = 0.264 mW/g; SAR(10 g) = 0.198 mW/g

Maximum value of SAR (measured) = 0.274 mW/g



Additional information:

ambient temperature: 22.3°C; liquid temperature: 20.9°C

Date/Time: 23.03.2011 12:20:44 Date/Time: 23.03.2011 12:32:15

IEEE1528_OET65-LeftHandSide-GSM850 slide opened

DUT: Sony Ericsson; Type: AAD-3880111-BV; Serial: CB5A1CHJXX

Communication System: PCS 850; Frequency: 824.2 MHz; Duty Cycle: 1:8

Medium: HSL850 Medium parameters used: $f = 824.2 \text{ MHz}$; $\sigma = 0.91 \text{ mho/m}$; $\epsilon_r = 42.8$; $\rho = 1000 \text{ kg/m}^3$

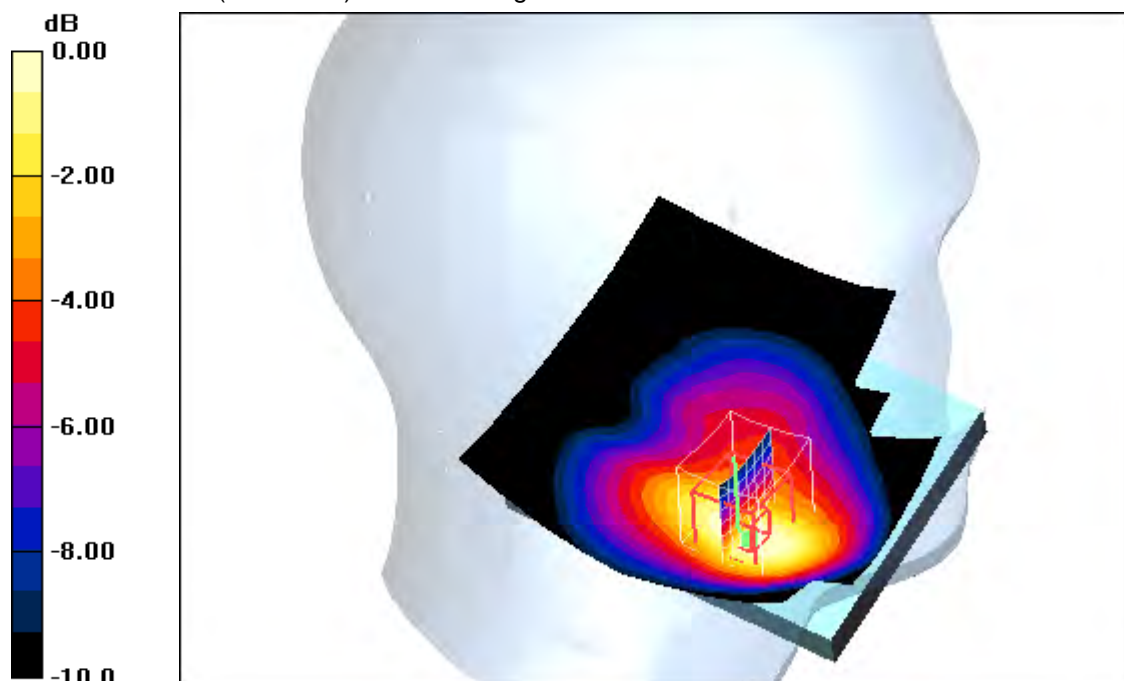
Phantom section: Left Section

DASY4 Configuration:

- Probe: ET3DV6 - SN1559; ConvF(6.33, 6.33, 6.33); Calibrated: 19.01.2011
- Sensor-Surface: 4mm (Mechanical And Optical Surface Detection)
- Electronics: DAE3 Sn477; Calibrated: 07.05.2010
- Phantom: SAM left; Type: SAM; Serial: 1041
- Measurement SW: DASY4, V4.7 Build 71; Postprocessing SW: SEMCAD, V1.8 Build 146

Touch position - Low/Area Scan (81x91x1): Measurement grid: $dx=15\text{mm}$, $dy=15\text{mm}$
 Maximum value of SAR (interpolated) = 0.588 mW/g

Touch position - Low/Zoom Scan (7x7x7) (7x7x7)/Cube 0: Measurement grid:
 $dx=5\text{mm}$, $dy=5\text{mm}$, $dz=5\text{mm}$
 Reference Value = 26.0 V/m; Power Drift = -0.020 dB
 Peak SAR (extrapolated) = 0.759 W/kg
SAR(1 g) = 0.528 mW/g; SAR(10 g) = 0.344 mW/g
 Maximum value of SAR (measured) = 0.562 mW/g



0 dB = 0.562mW/g

Additional information:

ambient temperature: 22.3°C; liquid temperature: 20.9°C

Date/Time: 23.03.2011 11:53:59 Date/Time: 23.03.2011 12:05:00

IEEE1528_OET65-LeftHandSide-GSM850 slide opened

DUT: Sony Ericsson; Type: AAD-3880111-BV; Serial: CB5A1CHJXX

Communication System: PCS 850; Frequency: 836.6 MHz; Duty Cycle: 1:8

Medium: HSL850 Medium parameters used: $f = 836.6 \text{ MHz}$; $\sigma = 0.91 \text{ mho/m}$; $\epsilon_r = 42.8$; $\rho = 1000 \text{ kg/m}^3$

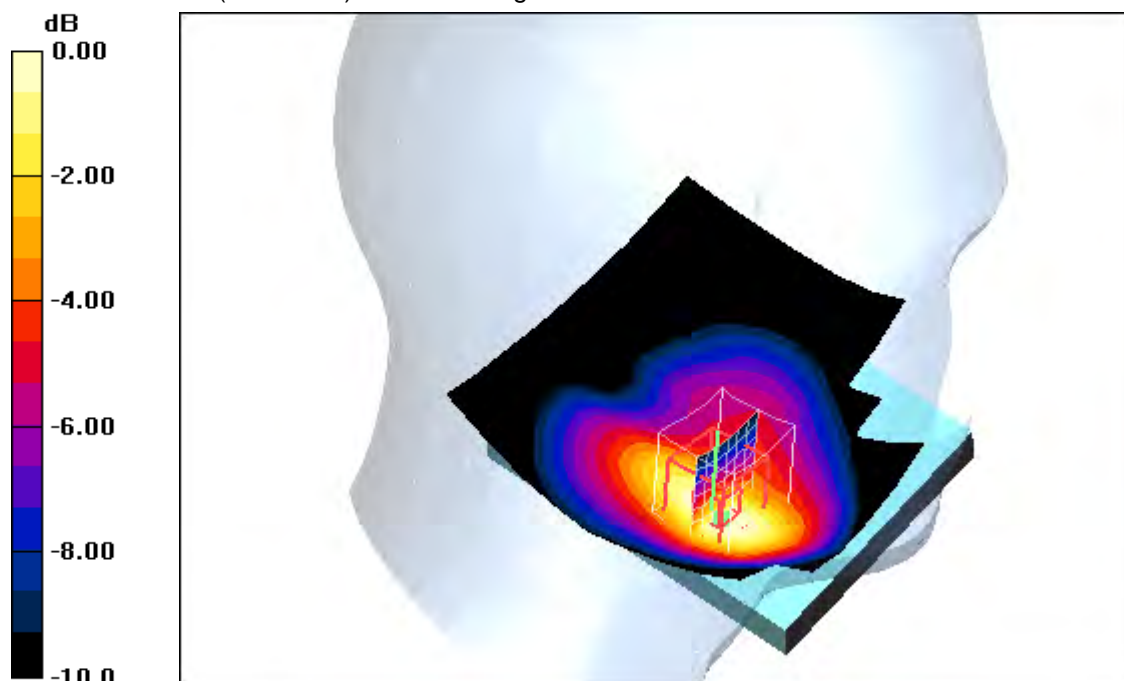
Phantom section: Left Section

DASY4 Configuration:

- Probe: ET3DV6 - SN1559; ConvF(6.33, 6.33, 6.33); Calibrated: 19.01.2011
- Sensor-Surface: 4mm (Mechanical And Optical Surface Detection)
- Electronics: DAE3 Sn477; Calibrated: 07.05.2010
- Phantom: SAM left; Type: SAM; Serial: 1041
- Measurement SW: DASY4, V4.7 Build 71; Postprocessing SW: SEMCAD, V1.8 Build 146

Touch position - Middle/Area Scan (81x91x1): Measurement grid: $dx=15\text{mm}$, $dy=15\text{mm}$
 Maximum value of SAR (interpolated) = 0.625 mW/g

Touch position - Middle/Zoom Scan (7x7x7) (7x7x7)/Cube 0: Measurement grid:
 $dx=5\text{mm}$, $dy=5\text{mm}$, $dz=5\text{mm}$
 Reference Value = 26.7 V/m; Power Drift = -0.019 dB
 Peak SAR (extrapolated) = 0.813 W/kg
SAR(1 g) = 0.556 mW/g; SAR(10 g) = 0.359 mW/g
 Maximum value of SAR (measured) = 0.597 mW/g



0 dB = 0.597mW/g

Additional information:

ambient temperature: 22.3°C; liquid temperature: 20.9°C

Date/Time: 23.03.2011 11:24:30 Date/Time: 23.03.2011 11:35:52

IEEE1528_OET65-LeftHandSide-GSM850 slide opened**DUT: Sony Ericsson; Type: AAD-3880111-BV; Serial: CB5A1CHJXX**

Communication System: PCS 850; Frequency: 848.8 MHz; Duty Cycle: 1:8

Medium: HSL850 Medium parameters used: $f = 848.8 \text{ MHz}$; $\sigma = 0.91 \text{ mho/m}$; $\epsilon_r = 42.8$; $\rho = 1000 \text{ kg/m}^3$

Phantom section: Left Section

DASY4 Configuration:

- Probe: ET3DV6 - SN1559; ConvF(6.33, 6.33, 6.33); Calibrated: 19.01.2011

- Sensor-Surface: 4mm (Mechanical And Optical Surface Detection)

- Electronics: DAE3 Sn477; Calibrated: 07.05.2010

- Phantom: SAM left; Type: SAM; Serial: 1041

- Measurement SW: DASY4, V4.7 Build 71; Postprocessing SW: SEMCAD, V1.8 Build 146

Touch position - High/Area Scan (81x91x1): Measurement grid: $dx=15\text{mm}$, $dy=15\text{mm}$

Maximum value of SAR (interpolated) = 0.683 mW/g

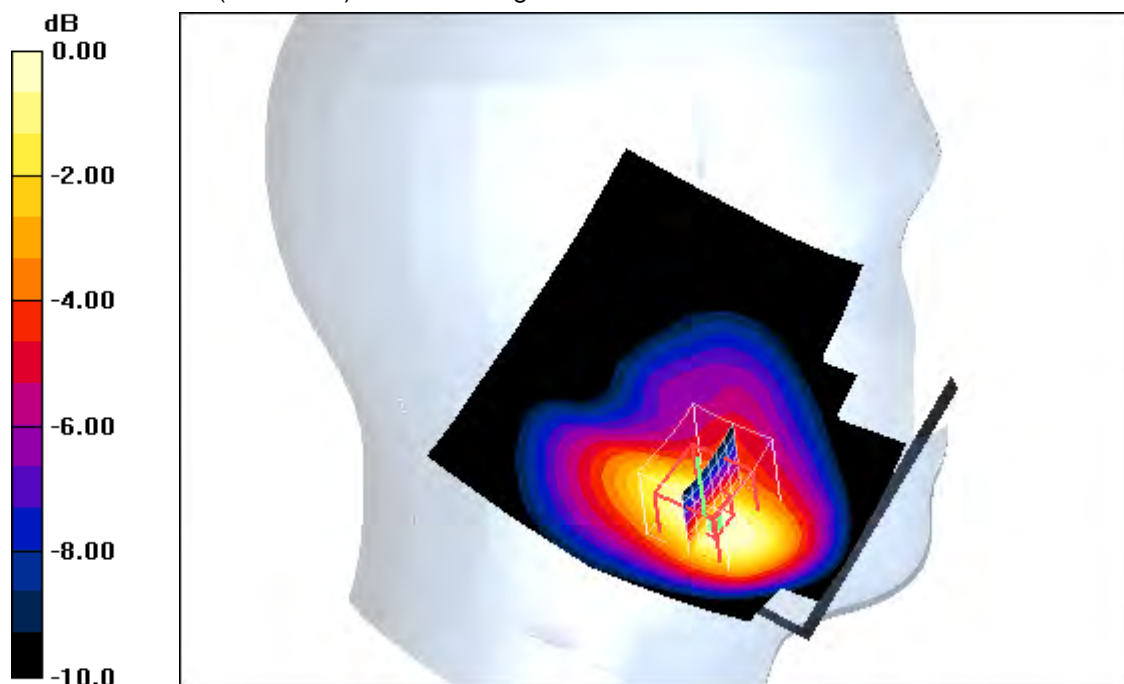
Touch position - High/Zoom Scan (7x7x7) (7x7x7)/Cube 0: Measurement grid: $dx=5\text{mm}$, $dy=5\text{mm}$, $dz=5\text{mm}$

Reference Value = 27.9 V/m; Power Drift = -0.101 dB

Peak SAR (extrapolated) = 0.882 W/kg

SAR(1 g) = 0.606 mW/g; SAR(10 g) = 0.385 mW/g

Maximum value of SAR (measured) = 0.646 mW/g



0 dB = 0.646mW/g

Additional information:

ambient temperature: 22.3°C; liquid temperature: 20.9°C

Date/Time: 22.03.2011 16:41:49 Date/Time: 22.03.2011 16:53:35 Date/Time: 22.03.2011 17:05:37

IEEE1528_OET65-LeftHandSide-GSM850 slide opened

DUT: Sony Ericsson; Type: AAD-3880111-BV; Serial: CB5A1CHJXX

Communication System: PCS 850; Frequency: 824.2 MHz; Duty Cycle: 1:8

Medium: HSL850 Medium parameters used: $f = 824.2 \text{ MHz}$; $\sigma = 0.91 \text{ mho/m}$; $\epsilon_r = 42.8$; $\rho = 1000 \text{ kg/m}^3$

Phantom section: Left Section

DASY4 Configuration:

- Probe: ET3DV6 - SN1559; ConvF(6.33, 6.33, 6.33); Calibrated: 19.01.2011
- Sensor-Surface: 4mm (Mechanical And Optical Surface Detection)
- Electronics: DAE3 Sn477; Calibrated: 07.05.2010
- Phantom: SAM left; Type: SAM; Serial: 1041
- Measurement SW: DASY4, V4.7 Build 71; Postprocessing SW: SEMCAD, V1.8 Build 146

Tilt position - Low/Area Scan (81x91x1): Measurement grid: $dx=15\text{mm}$, $dy=15\text{mm}$

Maximum value of SAR (interpolated) = 0.171 mW/g

Tilt position - Low/Zoom Scan (7x7x7) (7x7x7)/Cube 0: Measurement grid: $dx=5\text{mm}$, $dy=5\text{mm}$, $dz=5\text{mm}$

Reference Value = 14.0 V/m; Power Drift = -0.101 dB

Peak SAR (extrapolated) = 0.189 W/kg

SAR(1 g) = 0.162 mW/g; SAR(10 g) = 0.127 mW/g

Maximum value of SAR (measured) = 0.168 mW/g

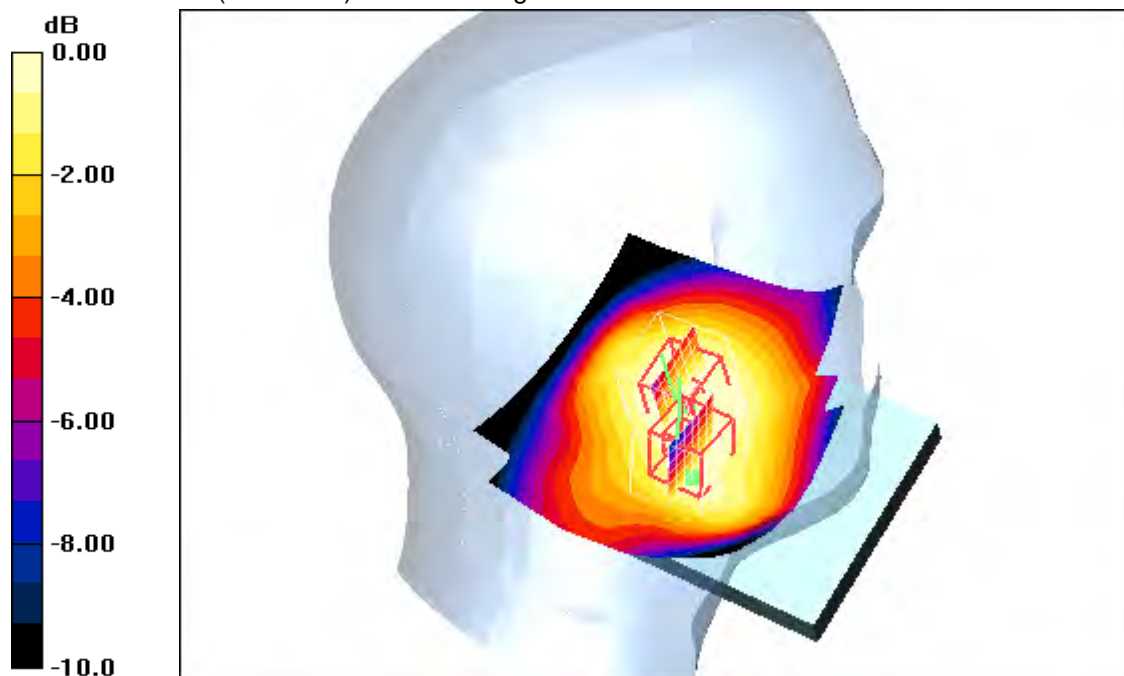
Tilt position - Low/Zoom Scan (7x7x7) (7x7x7)/Cube 1: Measurement grid: $dx=5\text{mm}$, $dy=5\text{mm}$, $dz=5\text{mm}$

Reference Value = 14.0 V/m; Power Drift = -0.101 dB

Peak SAR (extrapolated) = 0.171 W/kg

SAR(1 g) = 0.136 mW/g; SAR(10 g) = 0.103 mW/g

Maximum value of SAR (measured) = 0.147 mW/g



0 dB = 0.147mW/g

Additional information:

ambient temperature: 22.3°C; liquid temperature: 20.9°C

Date/Time: 23.03.2011 10:05:49 Date/Time: 23.03.2011 10:17:16 Date/Time: 23.03.2011 10:29:31

IEEE1528_OET65-LeftHandSide-GSM850 slide opened

DUT: Sony Ericsson; Type: AAD-3880111-BV; Serial: CB5A1CHJXX

Communication System: PCS 850; Frequency: 836.6 MHz; Duty Cycle: 1:8

Medium: HSL850 Medium parameters used: $f = 836.6 \text{ MHz}$; $\sigma = 0.91 \text{ mho/m}$; $\epsilon_r = 42.8$; $\rho = 1000 \text{ kg/m}^3$

Phantom section: Left Section

DASY4 Configuration:

- Probe: ET3DV6 - SN1559; ConvF(6.33, 6.33, 6.33); Calibrated: 19.01.2011
- Sensor-Surface: 4mm (Mechanical And Optical Surface Detection)
- Electronics: DAE3 Sn477; Calibrated: 07.05.2010
- Phantom: SAM left; Type: SAM; Serial: 1041
- Measurement SW: DASY4, V4.7 Build 71; Postprocessing SW: SEMCAD, V1.8 Build 146

Tilt position - Middle/Area Scan (81x91x1): Measurement grid: $dx=15\text{mm}$, $dy=15\text{mm}$
 Maximum value of SAR (interpolated) = 0.144 mW/g

Tilt position - Middle/Zoom Scan (7x7x7) (7x7x7)/Cube 0: Measurement grid:
 $dx=5\text{mm}$, $dy=5\text{mm}$, $dz=5\text{mm}$
 Reference Value = 12.9 V/m; Power Drift = -0.097 dB
 Peak SAR (extrapolated) = 0.161 W/kg

SAR(1 g) = 0.138 mW/g; SAR(10 g) = 0.108 mW/g

Maximum value of SAR (measured) = 0.144 mW/g

Tilt position - Middle/Zoom Scan (7x7x7) (7x7x7)/Cube 1: Measurement grid:

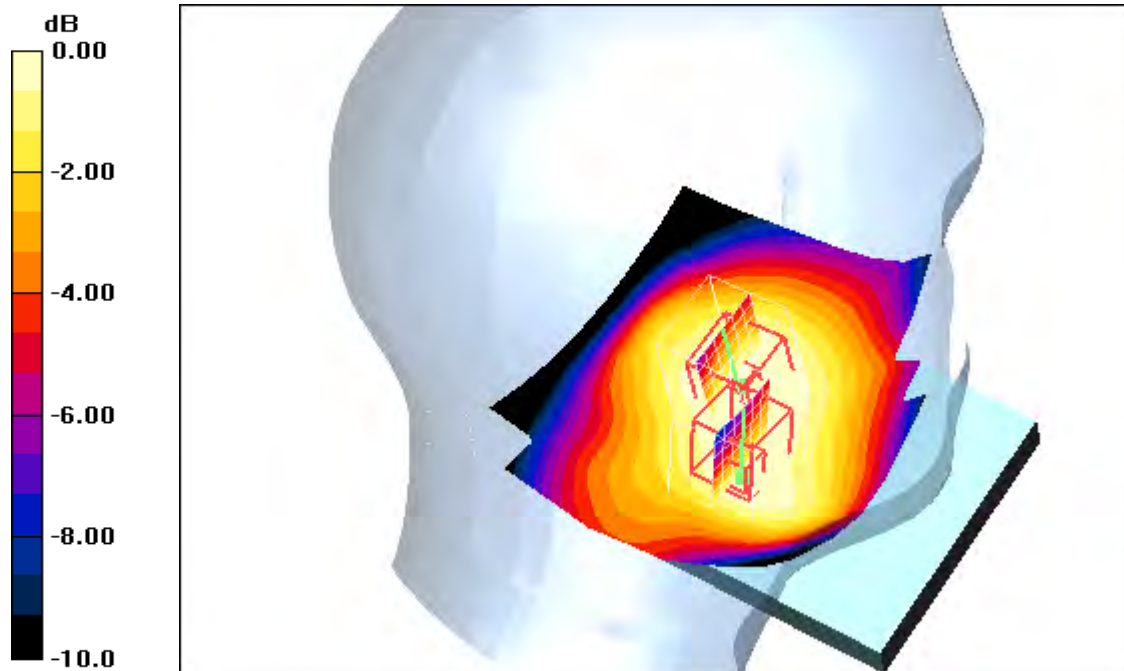
$dx=5\text{mm}$, $dy=5\text{mm}$, $dz=5\text{mm}$

Reference Value = 12.9 V/m; Power Drift = -0.097 dB

Peak SAR (extrapolated) = 0.156 W/kg

SAR(1 g) = 0.120 mW/g; SAR(10 g) = 0.090 mW/g

Maximum value of SAR (measured) = 0.124 mW/g



0 dB = 0.124mW/g

Additional information:

ambient temperature: 22.3°C; liquid temperature: 20.9°C

Date/Time: 23.03.2011 10:44:27 Date/Time: 23.03.2011 10:55:39 Date/Time: 23.03.2011 11:08:02

IEEE1528_OET65-LeftHandSide-GSM850 slide opened

DUT: Sony Ericsson; Type: AAD-3880111-BV; Serial: CB5A1CHJXX

Communication System: PCS 850; Frequency: 848.8 MHz; Duty Cycle: 1:8

Medium: HSL850 Medium parameters used: $f = 848.8 \text{ MHz}$; $\sigma = 0.91 \text{ mho/m}$; $\epsilon_r = 42.8$; $\rho = 1000 \text{ kg/m}^3$

Phantom section: Left Section

DASY4 Configuration:

- Probe: ET3DV6 - SN1559; ConvF(6.33, 6.33, 6.33); Calibrated: 19.01.2011
- Sensor-Surface: 4mm (Mechanical And Optical Surface Detection)
- Electronics: DAE3 Sn477; Calibrated: 07.05.2010
- Phantom: SAM left; Type: SAM; Serial: 1041
- Measurement SW: DASY4, V4.7 Build 71; Postprocessing SW: SEMCAD, V1.8 Build 146

Tilt position - High/Area Scan (81x91x1): Measurement grid: $dx=15\text{mm}$, $dy=15\text{mm}$

Maximum value of SAR (interpolated) = 0.129 mW/g

Tilt position - High/Zoom Scan (7x7x7) (7x7x7)/Cube 0: Measurement grid: $dx=5\text{mm}$, $dy=5\text{mm}$, $dz=5\text{mm}$

Reference Value = 12.3 V/m; Power Drift = -0.090 dB

Peak SAR (extrapolated) = 0.163 W/kg

SAR(1 g) = 0.121 mW/g; SAR(10 g) = 0.087 mW/g

Maximum value of SAR (measured) = 0.125 mW/g

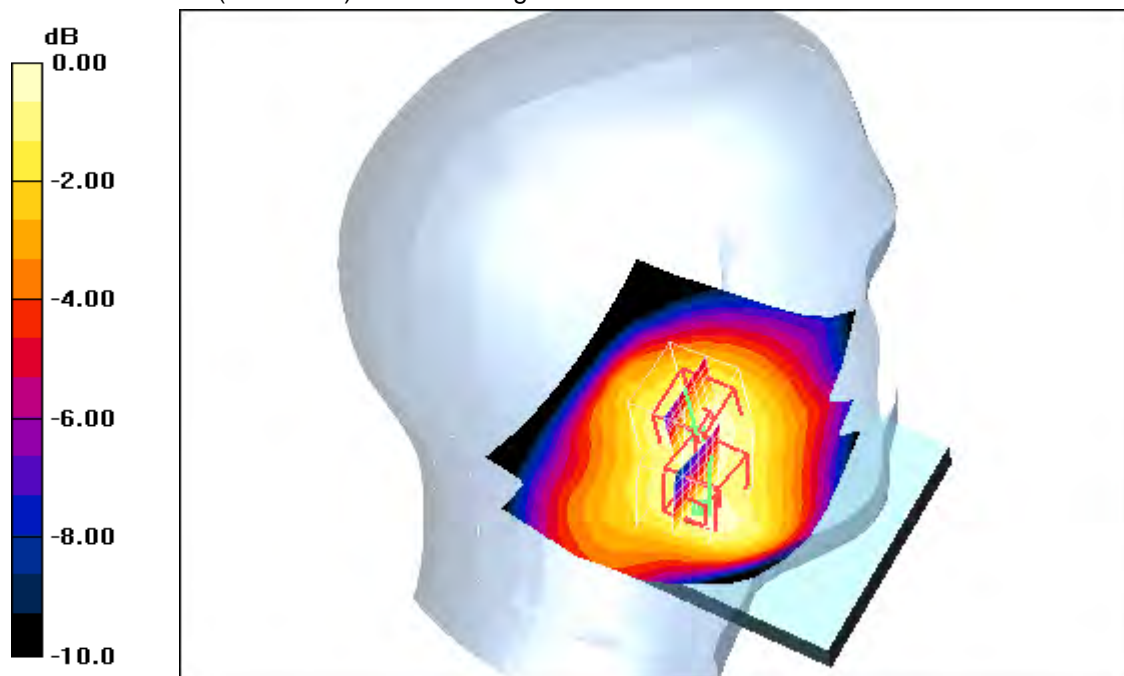
Tilt position - High/Zoom Scan (7x7x7) (7x7x7)/Cube 1: Measurement grid: $dx=5\text{mm}$, $dy=5\text{mm}$, $dz=5\text{mm}$

Reference Value = 12.3 V/m; Power Drift = -0.090 dB

Peak SAR (extrapolated) = 0.146 W/kg

SAR(1 g) = 0.124 mW/g; SAR(10 g) = 0.097 mW/g

Maximum value of SAR (measured) = 0.130 mW/g



0 dB = 0.130mW/g

Additional information:

ambient temperature: 22.3°C; liquid temperature: 20.9°C

Date/Time: 22.03.2011 10:24:16 Date/Time: 22.03.2011 10:31:37

IEEE1528_OET65-RightHandSide-GSM850

DUT: Sony Ericsson; Type: AAD-3880111-BV; Serial: CB5A1CHJXX

Communication System: PCS 850; Frequency: 824.2 MHz; Duty Cycle: 1:8

Medium: HSL850 Medium parameters used: $f = 824.2 \text{ MHz}$; $\sigma = 0.91 \text{ mho/m}$; $\epsilon_r = 42.8$; $\rho = 1000 \text{ kg/m}^3$

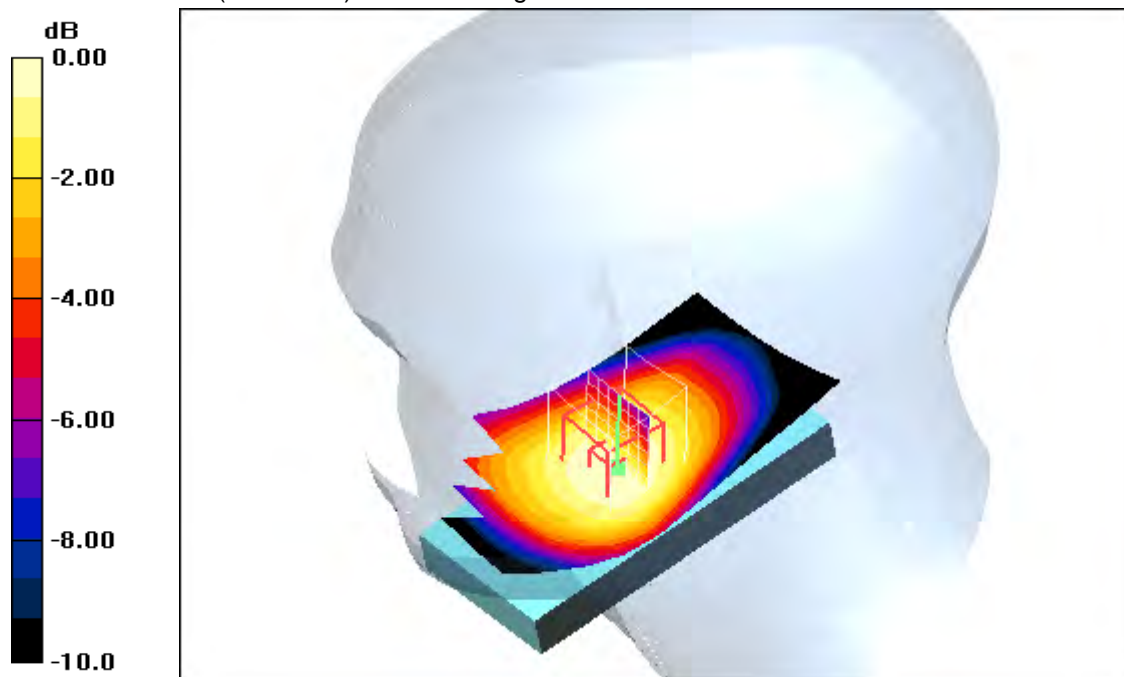
Phantom section: Right Section

DASY4 Configuration:

- Probe: ET3DV6 - SN1559; ConvF(6.33, 6.33, 6.33); Calibrated: 19.01.2011
- Sensor-Surface: 4mm (Mechanical And Optical Surface Detection)
- Electronics: DAE3 Sn477; Calibrated: 07.05.2010
- Phantom: SAM left; Type: SAM; Serial: 1041
- Measurement SW: DASY4, V4.7 Build 71; Postprocessing SW: SEMCAD, V1.8 Build 146

Touch position - Low/Area Scan (51x91x1): Measurement grid: $dx=15\text{mm}$, $dy=15\text{mm}$
 Maximum value of SAR (interpolated) = 0.332 mW/g

Touch position - Low/Zoom Scan (7x7x7) (7x7x7)/Cube 0: Measurement grid:
 $dx=5\text{mm}$, $dy=5\text{mm}$, $dz=5\text{mm}$
 Reference Value = 19.2 V/m; Power Drift = -0.043 dB
 Peak SAR (extrapolated) = 0.380 W/kg
SAR(1 g) = 0.317 mW/g; SAR(10 g) = 0.245 mW/g
 Maximum value of SAR (measured) = 0.330 mW/g



0 dB = 0.330mW/g

Additional information:

ambient temperature: 22.3°C; liquid temperature: 20.9°C

Date/Time: 22.03.2011 10:48:14 Date/Time: 22.03.2011 10:56:02

IEEE1528_OET65-RightHandSide-GSM850

DUT: Sony Ericsson; Type: AAD-3880111-BV; Serial: CB5A1CHJXX

Communication System: PCS 850; Frequency: 836.6 MHz; Duty Cycle: 1:8

Medium: HSL850 Medium parameters used: $f = 836.6 \text{ MHz}$; $\sigma = 0.91 \text{ mho/m}$; $\epsilon_r = 42.8$; $\rho = 1000 \text{ kg/m}^3$

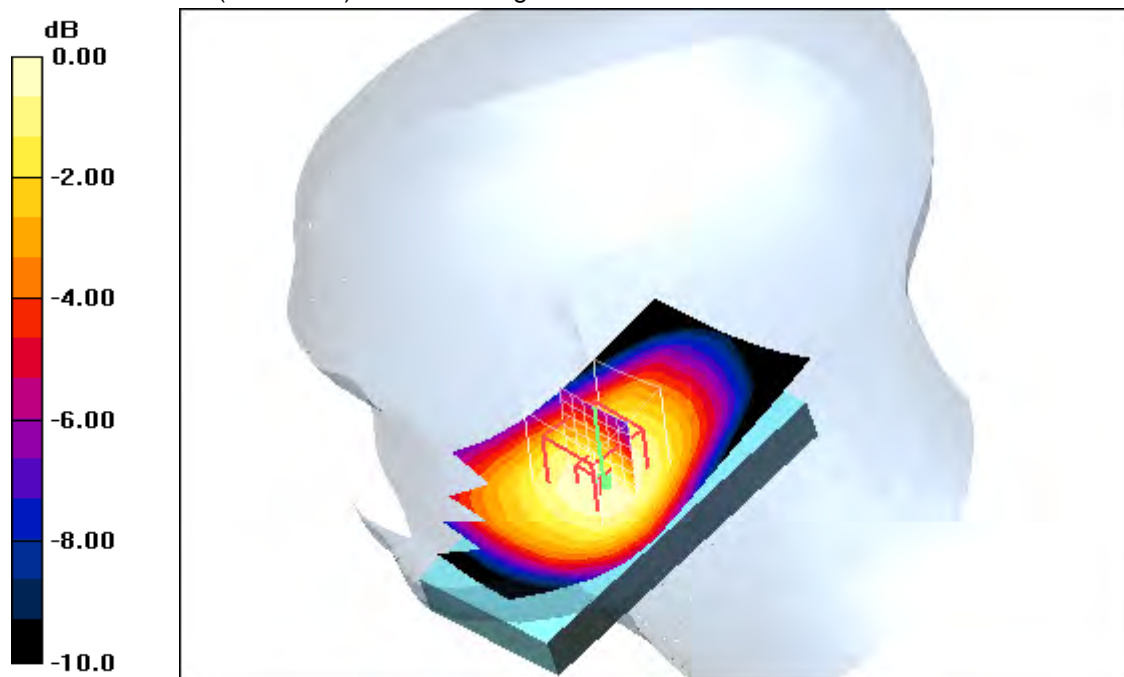
Phantom section: Right Section

DASY4 Configuration:

- Probe: ET3DV6 - SN1559; ConvF(6.33, 6.33, 6.33); Calibrated: 19.01.2011
- Sensor-Surface: 4mm (Mechanical And Optical Surface Detection)
- Electronics: DAE3 Sn477; Calibrated: 07.05.2010
- Phantom: SAM left; Type: SAM; Serial: 1041
- Measurement SW: DASY4, V4.7 Build 71; Postprocessing SW: SEMCAD, V1.8 Build 146

Touch position - Middle/Area Scan (51x91x1): Measurement grid: $dx=15\text{mm}$, $dy=15\text{mm}$
 Maximum value of SAR (interpolated) = 0.301 mW/g

Touch position - Middle/Zoom Scan (7x7x7) (7x7x7)/Cube 0: Measurement grid:
 $dx=5\text{mm}$, $dy=5\text{mm}$, $dz=5\text{mm}$
 Reference Value = 18.4 V/m; Power Drift = 0.01 dB
 Peak SAR (extrapolated) = 0.352 W/kg
SAR(1 g) = 0.292 mW/g; SAR(10 g) = 0.226 mW/g
 Maximum value of SAR (measured) = 0.306 mW/g



0 dB = 0.306mW/g

Additional information:

ambient temperature: 22.3°C; liquid temperature: 20.9°C

Date/Time: 22.03.2011 11:12:25 Date/Time: 22.03.2011 11:20:02

IEEE1528_OET65-RightHandSide-GSM850

DUT: Sony Ericsson; Type: AAD-3880111-BV; Serial: CB5A1CHJXX

Communication System: PCS 850; Frequency: 848.8 MHz; Duty Cycle: 1:8

Medium: HSL850 Medium parameters used: $f = 848.8 \text{ MHz}$; $\sigma = 0.91 \text{ mho/m}$; $\epsilon_r = 42.8$; $\rho = 1000 \text{ kg/m}^3$

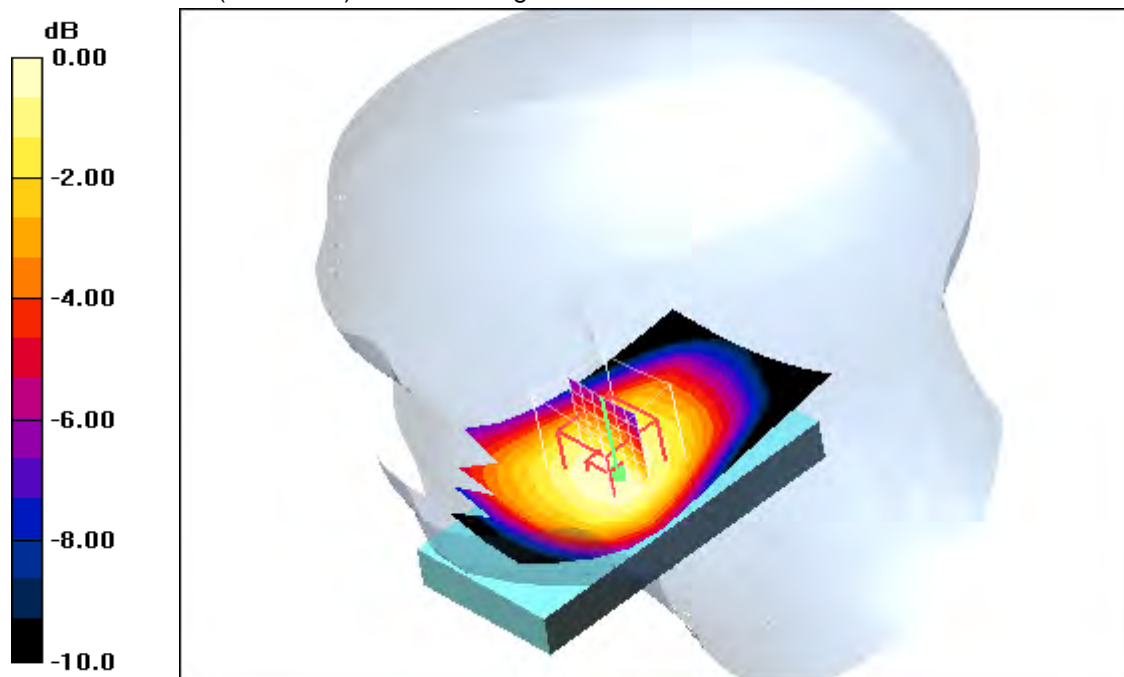
Phantom section: Right Section

DASY4 Configuration:

- Probe: ET3DV6 - SN1559; ConvF(6.33, 6.33, 6.33); Calibrated: 19.01.2011
- Sensor-Surface: 4mm (Mechanical And Optical Surface Detection)
- Electronics: DAE3 Sn477; Calibrated: 07.05.2010
- Phantom: SAM left; Type: SAM; Serial: 1041
- Measurement SW: DASY4, V4.7 Build 71; Postprocessing SW: SEMCAD, V1.8 Build 146

Touch position - High/Area Scan (51x91x1): Measurement grid: $dx=15\text{mm}$, $dy=15\text{mm}$
 Maximum value of SAR (interpolated) = 0.286 mW/g

Touch position - High/Zoom Scan (7x7x7) (7x7x7)/Cube 0: Measurement grid:
 $dx=5\text{mm}$, $dy=5\text{mm}$, $dz=5\text{mm}$
 Reference Value = 17.8 V/m; Power Drift = 0.049 dB
 Peak SAR (extrapolated) = 0.336 W/kg
SAR(1 g) = 0.275 mW/g; SAR(10 g) = 0.212 mW/g
 Maximum value of SAR (measured) = 0.292 mW/g



0 dB = 0.292mW/g

Additional information:

ambient temperature: 22.3°C; liquid temperature: 20.9°C

Date/Time: 22.03.2011 09:34:34 Date/Time: 22.03.2011 09:42:19 Date/Time: 22.03.2011 09:55:21

IEEE1528_OET65-RightHandSide-GSM850

DUT: Sony Ericsson; Type: AAD-3880111-BV; Serial: CB5A1CHJXX

Communication System: PCS 850; Frequency: 824.2 MHz; Duty Cycle: 1:8

Medium: HSL850 Medium parameters used: $f = 824.2 \text{ MHz}$; $\sigma = 0.91 \text{ mho/m}$; $\epsilon_r = 42.8$; $\rho = 1000 \text{ kg/m}^3$

Phantom section: Right Section

DASY4 Configuration:

- Probe: ET3DV6 - SN1559; ConvF(6.33, 6.33, 6.33); Calibrated: 19.01.2011
- Sensor-Surface: 4mm (Mechanical And Optical Surface Detection)
- Electronics: DAE3 Sn477; Calibrated: 07.05.2010
- Phantom: SAM left; Type: SAM; Serial: 1041
- Measurement SW: DASY4, V4.7 Build 71; Postprocessing SW: SEMCAD, V1.8 Build 146

Tilt position - Low/Area Scan (51x91x1): Measurement grid: $dx=15\text{mm}$, $dy=15\text{mm}$
 Maximum value of SAR (interpolated) = 0.288 mW/g

Tilt position - Low/Zoom Scan (7x7x7) (7x7x7)/Cube 0: Measurement grid: $dx=5\text{mm}$, $dy=5\text{mm}$, $dz=5\text{mm}$

Reference Value = 17.9 V/m; Power Drift = -0.061 dB

Peak SAR (extrapolated) = 0.338 W/kg

SAR(1 g) = 0.275 mW/g; SAR(10 g) = 0.206 mW/g

Maximum value of SAR (measured) = 0.291 mW/g

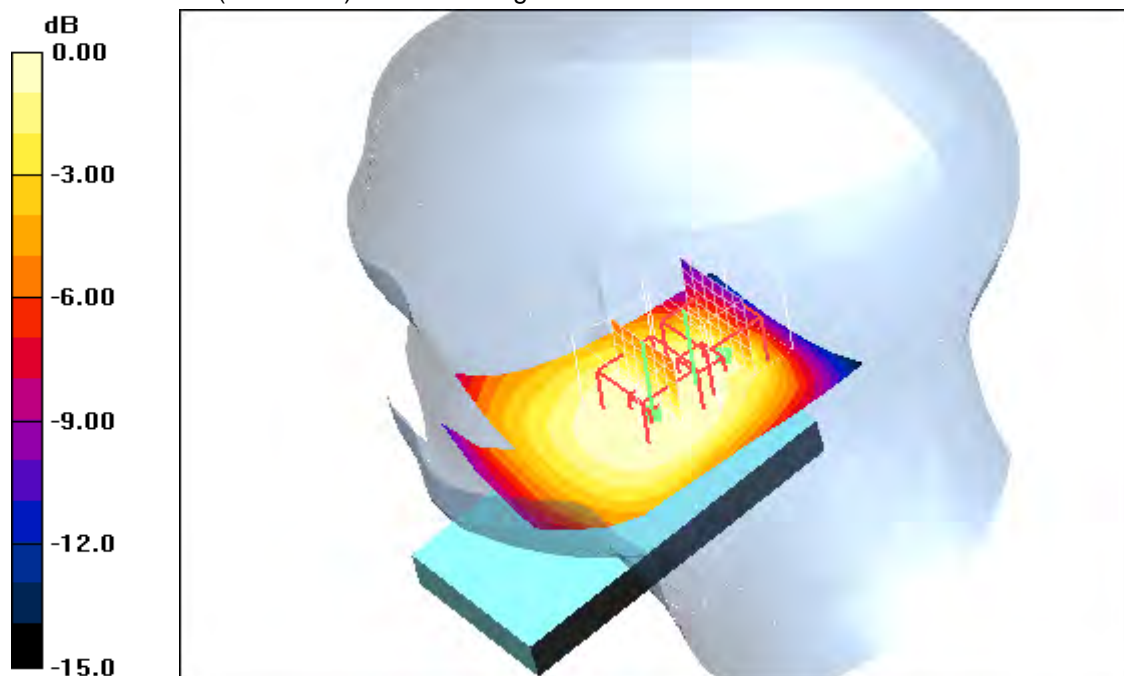
Tilt position - Low/Zoom Scan (7x7x7) (7x7x7)/Cube 1: Measurement grid: $dx=5\text{mm}$, $dy=5\text{mm}$, $dz=5\text{mm}$

Reference Value = 17.9 V/m; Power Drift = -0.061 dB

Peak SAR (extrapolated) = 0.266 W/kg

SAR(1 g) = 0.197 mW/g; SAR(10 g) = 0.127 mW/g

Maximum value of SAR (measured) = 0.234 mW/g



0 dB = 0.234mW/g

Additional information:

ambient temperature: 22.3°C; liquid temperature: 20.9°C

Date/Time: 22.03.2011 09:01:01 Date/Time: 22.03.2011 09:08:24 Date/Time: 22.03.2011 09:20:24

IEEE1528_OET65-RightHandSide-GSM850

DUT: Sony Ericsson; Type: AAD-3880111-BV; Serial: CB5A1CHJXX

Communication System: PCS 850; Frequency: 836.6 MHz; Duty Cycle: 1:8

Medium: HSL850 Medium parameters used: $f = 836.6 \text{ MHz}$; $\sigma = 0.91 \text{ mho/m}$; $\epsilon_r = 42.8$; $\rho = 1000 \text{ kg/m}^3$

Phantom section: Right Section

DASY4 Configuration:

- Probe: ET3DV6 - SN1559; ConvF(6.33, 6.33, 6.33); Calibrated: 19.01.2011
- Sensor-Surface: 4mm (Mechanical And Optical Surface Detection)
- Electronics: DAE3 Sn477; Calibrated: 07.05.2010
- Phantom: SAM left; Type: SAM; Serial: 1041
- Measurement SW: DASY4, V4.7 Build 71; Postprocessing SW: SEMCAD, V1.8 Build 146

Tilt position - Middle/Area Scan (51x91x1): Measurement grid: $dx=15\text{mm}$, $dy=15\text{mm}$
 Maximum value of SAR (interpolated) = 0.273 mW/g

Tilt position - Middle/Zoom Scan (7x7x7) (7x7x7)/Cube 0: Measurement grid:
 $dx=5\text{mm}$, $dy=5\text{mm}$, $dz=5\text{mm}$
 Reference Value = 17.5 V/m; Power Drift = -0.056 dB
 Peak SAR (extrapolated) = 0.324 W/kg

SAR(1 g) = 0.260 mW/g; SAR(10 g) = 0.194 mW/g

Maximum value of SAR (measured) = 0.276 mW/g

Tilt position - Middle/Zoom Scan (7x7x7) (7x7x7)/Cube 1: Measurement grid:

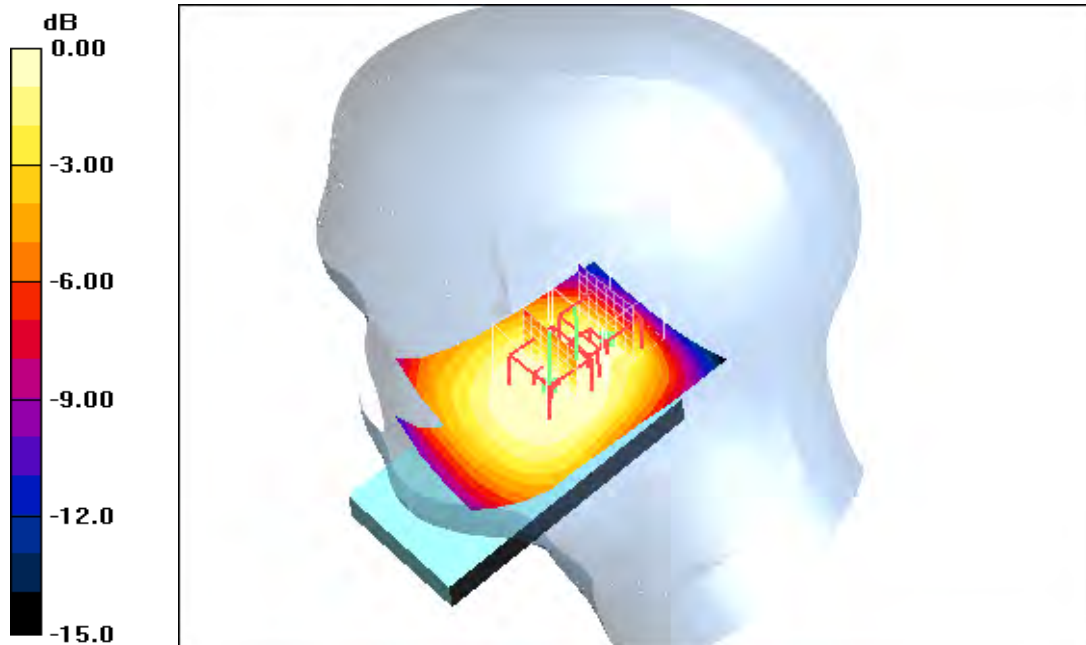
$dx=5\text{mm}$, $dy=5\text{mm}$, $dz=5\text{mm}$

Reference Value = 17.5 V/m; Power Drift = -0.056 dB

Peak SAR (extrapolated) = 0.258 W/kg

SAR(1 g) = 0.187 mW/g; SAR(10 g) = 0.124 mW/g

Maximum value of SAR (measured) = 0.221 mW/g



0 dB = 0.221mW/g

Additional information:

ambient temperature: 22.3°C; liquid temperature: 20.9°C

Date/Time: 22.03.2011 08:27:27 Date/Time: 22.03.2011 08:34:16 Date/Time: 22.03.2011 08:46:42

IEEE1528_OET65-RightHandSide-GSM850

DUT: Sony Ericsson; Type: AAD-3880111-BV; Serial: CB5A1CHJXX

Communication System: PCS 850; Frequency: 848.8 MHz; Duty Cycle: 1:8

Medium: HSL850 Medium parameters used: $f = 848.8 \text{ MHz}$; $\sigma = 0.91 \text{ mho/m}$; $\epsilon_r = 42.8$; $\rho = 1000 \text{ kg/m}^3$

Phantom section: Right Section

DASY4 Configuration:

- Probe: ET3DV6 - SN1559; ConvF(6.33, 6.33, 6.33); Calibrated: 19.01.2011
- Sensor-Surface: 4mm (Mechanical And Optical Surface Detection)
- Electronics: DAE3 Sn477; Calibrated: 07.05.2010
- Phantom: SAM left; Type: SAM; Serial: 1041
- Measurement SW: DASY4, V4.7 Build 71; Postprocessing SW: SEMCAD, V1.8 Build 146

Tilt position - High/Area Scan (51x91x1): Measurement grid: $dx=15\text{mm}$, $dy=15\text{mm}$
 Maximum value of SAR (interpolated) = 0.278 mW/g

Tilt position - High/Zoom Scan (7x7x7) (7x7x7)/Cube 0: Measurement grid: $dx=5\text{mm}$, $dy=5\text{mm}$, $dz=5\text{mm}$

Reference Value = 17.5 V/m; Power Drift = -0.121 dB

Peak SAR (extrapolated) = 0.328 W/kg

SAR(1 g) = 0.260 mW/g; SAR(10 g) = 0.194 mW/g

Maximum value of SAR (measured) = 0.274 mW/g

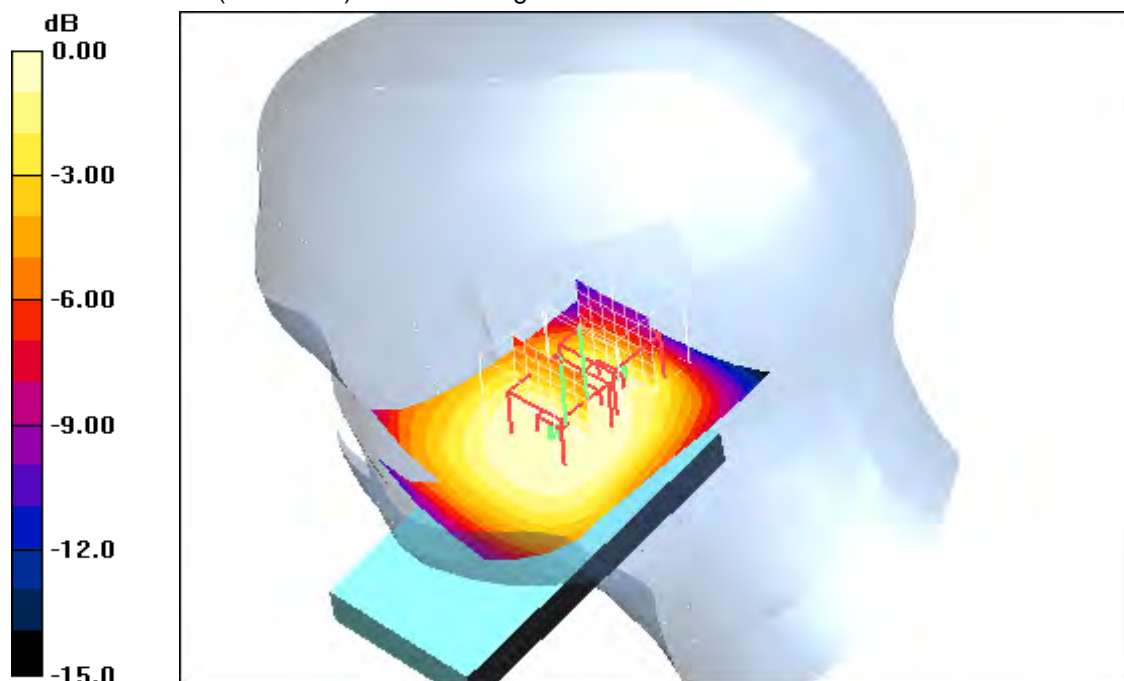
Tilt position - High/Zoom Scan (7x7x7) (7x7x7)/Cube 1: Measurement grid: $dx=5\text{mm}$, $dy=5\text{mm}$, $dz=5\text{mm}$

Reference Value = 17.5 V/m; Power Drift = -0.121 dB

Peak SAR (extrapolated) = 0.257 W/kg

SAR(1 g) = 0.186 mW/g; SAR(10 g) = 0.123 mW/g

Maximum value of SAR (measured) = 0.220 mW/g



0 dB = 0.220mW/g

Additional information:

ambient temperature: 22.3°C; liquid temperature: 20.9°C

Date/Time: 22.03.2011 12:35:40 Date/Time: 22.03.2011 12:45:51

IEEE1528_OET65-RightHandSide-GSM850 slide opened

DUT: Sony Ericsson; Type: AAD-3880111-BV; Serial: CB5A1CHJXX

Communication System: PCS 850; Frequency: 824.2 MHz; Duty Cycle: 1:8

Medium: HSL850 Medium parameters used: $f = 824.2 \text{ MHz}$; $\sigma = 0.91 \text{ mho/m}$; $\epsilon_r = 42.8$; $\rho = 1000 \text{ kg/m}^3$

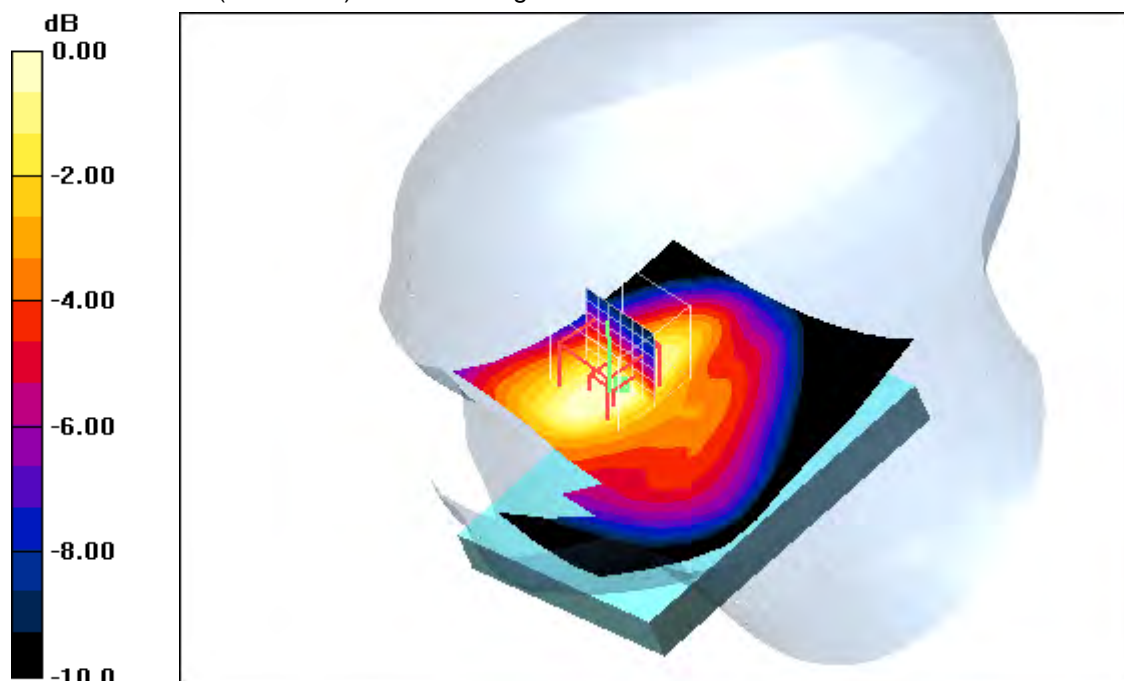
Phantom section: Right Section

DASY4 Configuration:

- Probe: ET3DV6 - SN1559; ConvF(6.33, 6.33, 6.33); Calibrated: 19.01.2011
- Sensor-Surface: 4mm (Mechanical And Optical Surface Detection)
- Electronics: DAE3 Sn477; Calibrated: 07.05.2010
- Phantom: SAM left; Type: SAM; Serial: 1041
- Measurement SW: DASY4, V4.7 Build 71; Postprocessing SW: SEMCAD, V1.8 Build 146

Touch position - Low/Area Scan (81x91x1): Measurement grid: $dx=15\text{mm}$, $dy=15\text{mm}$
 Maximum value of SAR (interpolated) = 0.335 mW/g

Touch position - Low/Zoom Scan (7x7x7) (7x7x7)/Cube 0: Measurement grid:
 $dx=5\text{mm}$, $dy=5\text{mm}$, $dz=5\text{mm}$
 Reference Value = 19.6 V/m; Power Drift = -0.062 dB
 Peak SAR (extrapolated) = 0.437 W/kg
SAR(1 g) = 0.302 mW/g; SAR(10 g) = 0.199 mW/g
 Maximum value of SAR (measured) = 0.327 mW/g



0 dB = 0.327mW/g

Additional information:

ambient temperature: 22.3°C; liquid temperature: 20.9°C

Date/Time: 22.03.2011 12:08:35 Date/Time: 22.03.2011 12:18:40

IEEE1528_OET65-RightHandSide-GSM850 slide opened

DUT: Sony Ericsson; Type: AAD-3880111-BV; Serial: CB5A1CHJXX

Communication System: PCS 850; Frequency: 836.6 MHz; Duty Cycle: 1:8

Medium: HSL850 Medium parameters used: $f = 836.6 \text{ MHz}$; $\sigma = 0.91 \text{ mho/m}$; $\epsilon_r = 42.8$; $\rho = 1000 \text{ kg/m}^3$

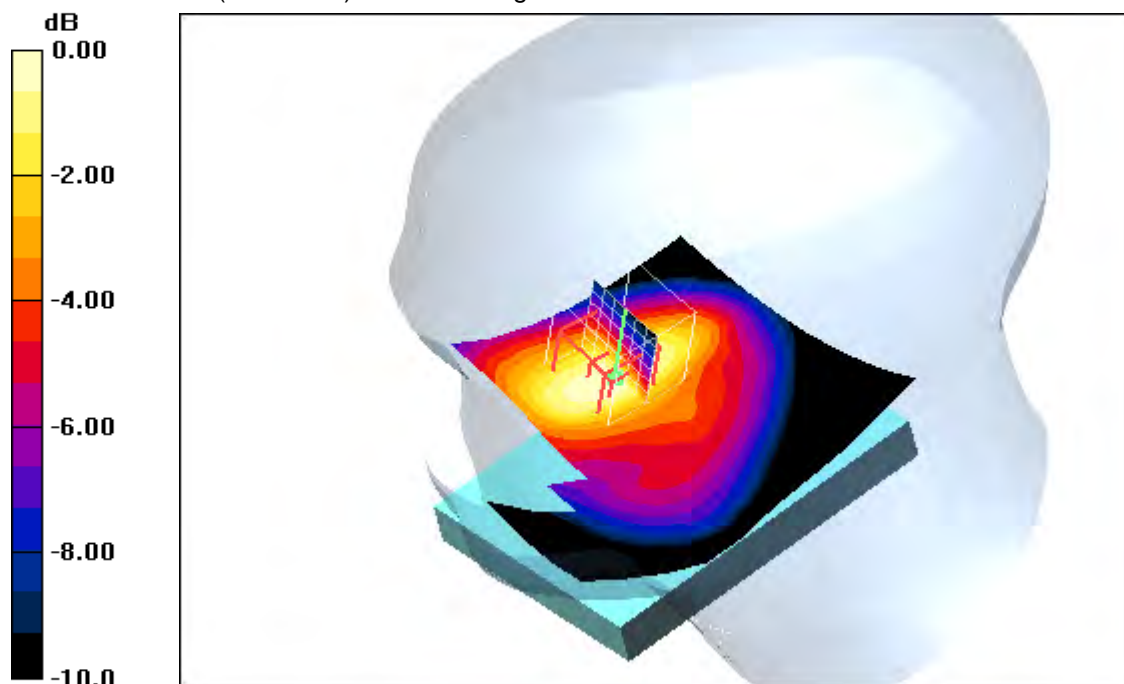
Phantom section: Right Section

DASY4 Configuration:

- Probe: ET3DV6 - SN1559; ConvF(6.33, 6.33, 6.33); Calibrated: 19.01.2011
- Sensor-Surface: 4mm (Mechanical And Optical Surface Detection)
- Electronics: DAE3 Sn477; Calibrated: 07.05.2010
- Phantom: SAM left; Type: SAM; Serial: 1041
- Measurement SW: DASY4, V4.7 Build 71; Postprocessing SW: SEMCAD, V1.8 Build 146

Touch position - Middle/Area Scan (81x91x1): Measurement grid: $dx=15\text{mm}$, $dy=15\text{mm}$
 Maximum value of SAR (interpolated) = 0.361 mW/g

Touch position - Middle/Zoom Scan (7x7x7) (7x7x7)/Cube 0: Measurement grid:
 $dx=5\text{mm}$, $dy=5\text{mm}$, $dz=5\text{mm}$
 Reference Value = 20.3 V/m; Power Drift = -0.072 dB
 Peak SAR (extrapolated) = 0.484 W/kg
SAR(1 g) = 0.333 mW/g; SAR(10 g) = 0.217 mW/g
 Maximum value of SAR (measured) = 0.363 mW/g



0 dB = 0.363mW/g

Additional information:

ambient temperature: 22.3°C; liquid temperature: 20.9°C

Date/Time: 22.03.2011 11:41:19 Date/Time: 22.03.2011 11:52:03

IEEE1528_OET65-RightHandSide-GSM850 slide opened

DUT: Sony Ericsson; Type: AAD-3880111-BV; Serial: CB5A1CHJXX

Communication System: PCS 850; Frequency: 848.8 MHz; Duty Cycle: 1:8

Medium: HSL850 Medium parameters used: $f = 848.8 \text{ MHz}$; $\sigma = 0.91 \text{ mho/m}$; $\epsilon_r = 42.8$; $\rho = 1000 \text{ kg/m}^3$

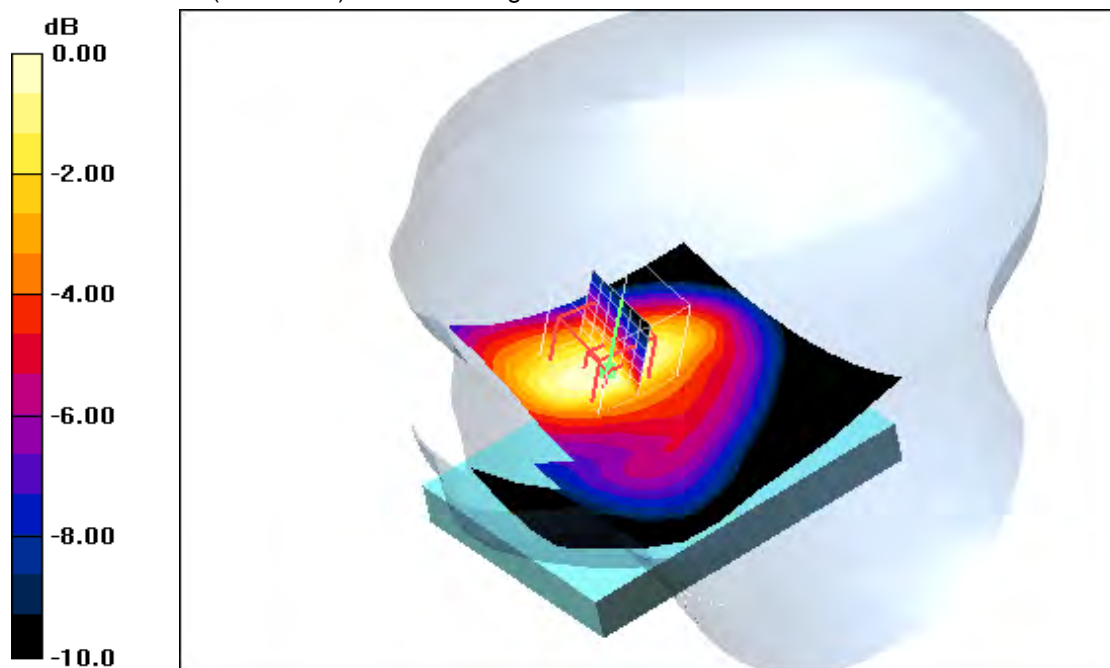
Phantom section: Right Section

DASY4 Configuration:

- Probe: ET3DV6 - SN1559; ConvF(6.33, 6.33, 6.33); Calibrated: 19.01.2011
- Sensor-Surface: 4mm (Mechanical And Optical Surface Detection)
- Electronics: DAE3 Sn477; Calibrated: 07.05.2010
- Phantom: SAM left; Type: SAM; Serial: 1041
- Measurement SW: DASY4, V4.7 Build 71; Postprocessing SW: SEMCAD, V1.8 Build 146

Touch position - High/Area Scan (81x91x1): Measurement grid: $dx=15\text{mm}$, $dy=15\text{mm}$
 Maximum value of SAR (interpolated) = 0.403 mW/g

Touch position - High/Zoom Scan (7x7x7) (7x7x7)/Cube 0: Measurement grid:
 $dx=5\text{mm}$, $dy=5\text{mm}$, $dz=5\text{mm}$
 Reference Value = 21.1 V/m; Power Drift = -0.022 dB
 Peak SAR (extrapolated) = 0.527 W/kg
SAR(1 g) = 0.361 mW/g; SAR(10 g) = 0.235 mW/g
 Maximum value of SAR (measured) = 0.393 mW/g



0 dB = 0.393mW/g

Additional information:

ambient temperature: 22.3°C; liquid temperature: 20.9°C

Date/Time: 22.03.2011 14:26:15 Date/Time: 22.03.2011 14:36:52

IEEE1528_OET65-RightHandSide-GSM850 slide opened

DUT: Sony Ericsson; Type: AAD-3880111-BV; Serial: CB5A1CHJXX

Communication System: PCS 850; Frequency: 824.2 MHz; Duty Cycle: 1:8

Medium: HSL850 Medium parameters used: $f = 824.2 \text{ MHz}$; $\sigma = 0.91 \text{ mho/m}$; $\epsilon_r = 42.8$; $\rho = 1000 \text{ kg/m}^3$

Phantom section: Right Section

DASY4 Configuration:

- Probe: ET3DV6 - SN1559; ConvF(6.33, 6.33, 6.33); Calibrated: 19.01.2011
- Sensor-Surface: 4mm (Mechanical And Optical Surface Detection)
- Electronics: DAE3 Sn477; Calibrated: 07.05.2010
- Phantom: SAM left; Type: SAM; Serial: 1041
- Measurement SW: DASY4, V4.7 Build 71; Postprocessing SW: SEMCAD, V1.8 Build 146

Tilt position - Low/Area Scan (81x91x1): Measurement grid: $dx=15\text{mm}$, $dy=15\text{mm}$

Maximum value of SAR (interpolated) = 0.172 mW/g

Tilt position - Low/Zoom Scan (7x7x7) (7x7x7)/Cube 0: Measurement grid: $dx=5\text{mm}$, $dy=5\text{mm}$, $dz=5\text{mm}$

Reference Value = 13.9 V/m; Power Drift = -0.134 dB

Peak SAR (extrapolated) = 0.192 W/kg

SAR(1 g) = 0.162 mW/g; SAR(10 g) = 0.126 mW/g

Maximum value of SAR (measured) = 0.171 mW/g

Tilt position - Low/Zoom Scan (7x7x7) (7x7x7)/Cube 1: Measurement grid: $dx=5\text{mm}$, $dy=5\text{mm}$, $dz=5\text{mm}$

Reference Value = 13.9 V/m; Power Drift = -0.134 dB

Peak SAR (extrapolated) = 0.163 W/kg

SAR(1 g) = 0.119 mW/g; SAR(10 g) = 0.088 mW/g

Maximum value of SAR (measured) = 0.132 mW/g

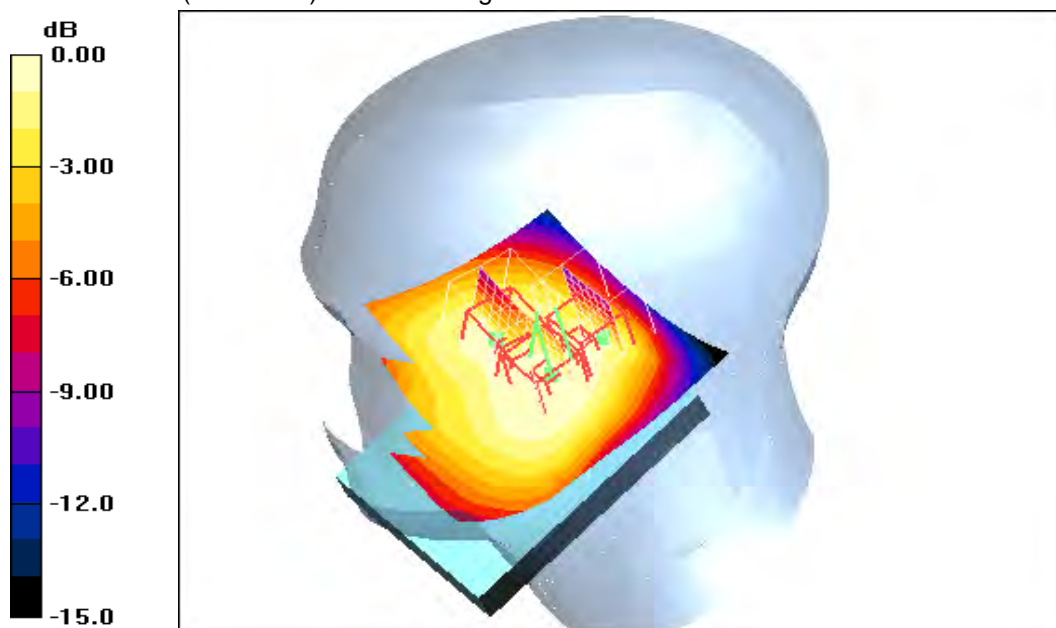
Tilt position - Low/Zoom Scan (7x7x7) (7x7x7)/Cube 2: Measurement grid: $dx=5\text{mm}$, $dy=5\text{mm}$, $dz=5\text{mm}$

Reference Value = 13.9 V/m; Power Drift = -0.134 dB

Peak SAR (extrapolated) = 0.162 W/kg

SAR(1 g) = 0.123 mW/g; SAR(10 g) = 0.083 mW/g

Maximum value of SAR (measured) = 0.145 mW/g



0 dB = 0.145mW/g

Additional information:

ambient temperature: 22.3°C; liquid temperature: 20.9°C

Date/Time: 22.03.2011 15:18:34 Date/Time: 22.03.2011 15:28:58

IEEE1528_OET65-RightHandSide-GSM850 slide opened**DUT: Sony Ericsson; Type: AAD-3880111-BV; Serial: CB5A1CHJXX**

Communication System: PCS 850; Frequency: 836.6 MHz; Duty Cycle: 1:8

Medium: HSL850 Medium parameters used: $f = 836.6$ MHz; $\sigma = 0.91$ mho/m; $\epsilon_r = 42.8$; $\rho = 1000$ kg/m³

Phantom section: Right Section

DASY4 Configuration:

- Probe: ET3DV6 - SN1559; ConvF(6.33, 6.33, 6.33); Calibrated: 19.01.2011
- Sensor-Surface: 4mm (Mechanical And Optical Surface Detection)
- Electronics: DAE3 Sn477; Calibrated: 07.05.2010
- Phantom: SAM left; Type: SAM; Serial: 1041
- Measurement SW: DASY4, V4.7 Build 71; Postprocessing SW: SEMCAD, V1.8 Build 146

Tilt position - Middle/Area Scan (81x91x1): Measurement grid: dx=15mm, dy=15mm

Maximum value of SAR (interpolated) = 0.146 mW/g

Tilt position - Middle/Zoom Scan (7x7x7) (7x7x7)/Cube 0: Measurement grid:

dx=5mm, dy=5mm, dz=5mm

Reference Value = 13.0 V/m; Power Drift = -0.127 dB

Peak SAR (extrapolated) = 0.165 W/kg

SAR(1 g) = 0.141 mW/g; SAR(10 g) = 0.110 mW/g

Maximum value of SAR (measured) = 0.147 mW/g

Tilt position - Middle/Zoom Scan (7x7x7) (7x7x7)/Cube 1: Measurement grid:

dx=5mm, dy=5mm, dz=5mm

Reference Value = 13.0 V/m; Power Drift = -0.127 dB

Peak SAR (extrapolated) = 0.167 W/kg

SAR(1 g) = 0.118 mW/g; SAR(10 g) = 0.084 mW/g

Maximum value of SAR (measured) = 0.126 mW/g

Tilt position - Middle/Zoom Scan (7x7x7) (7x7x7)/Cube 2: Measurement grid:

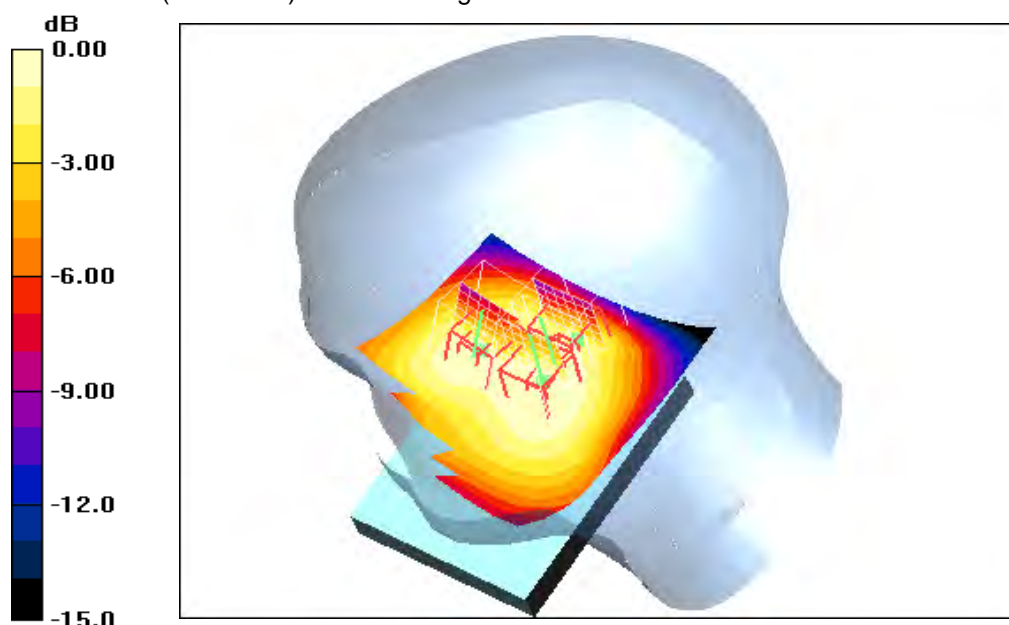
dx=5mm, dy=5mm, dz=5mm

Reference Value = 13.0 V/m; Power Drift = -0.127 dB

Peak SAR (extrapolated) = 0.144 W/kg

SAR(1 g) = 0.110 mW/g; SAR(10 g) = 0.072 mW/g

Maximum value of SAR (measured) = 0.130 mW/g



0 dB = 0.130mW/g

Additional information:

ambient temperature: 22.3°C; liquid temperature: 20.9°C

Date/Time: 22.03.2011 13:35:49 Date/Time: 22.03.2011 13:46:08

IEEE1528_OET65-RightHandSide-GSM850 slide opened

DUT: Sony Ericsson; Type: AAD-3880111-BV; Serial: CB5A1CHJXX

Communication System: PCS 850; Frequency: 848.8 MHz; Duty Cycle: 1:8

Medium: HSL850 Medium parameters used: $f = 848.8 \text{ MHz}$; $\sigma = 0.91 \text{ mho/m}$; $\epsilon_r = 42.8$; $\rho = 1000 \text{ kg/m}^3$

Phantom section: Right Section

DASY4 Configuration:

- Probe: ET3DV6 - SN1559; ConvF(6.33, 6.33, 6.33); Calibrated: 19.01.2011
- Sensor-Surface: 4mm (Mechanical And Optical Surface Detection)
- Electronics: DAE3 Sn477; Calibrated: 07.05.2010
- Phantom: SAM left; Type: SAM; Serial: 1041
- Measurement SW: DASY4, V4.7 Build 71; Postprocessing SW: SEMCAD, V1.8 Build 146

Tilt position - High/Area Scan (81x91x1): Measurement grid: $dx=15\text{mm}$, $dy=15\text{mm}$

Maximum value of SAR (interpolated) = 0.160 mW/g

Tilt position - High/Zoom Scan (7x7x7) (7x7x7)/Cube 0: Measurement grid: $dx=5\text{mm}$, $dy=5\text{mm}$, $dz=5\text{mm}$

Reference Value = 13.6 V/m; Power Drift = -0.174 dB

Peak SAR (extrapolated) = 0.181 W/kg

SAR(1 g) = 0.155 mW/g; SAR(10 g) = 0.120 mW/g

Maximum value of SAR (measured) = 0.163 mW/g

Tilt position - High/Zoom Scan (7x7x7) (7x7x7)/Cube 1: Measurement grid: $dx=5\text{mm}$, $dy=5\text{mm}$, $dz=5\text{mm}$

Reference Value = 13.6 V/m; Power Drift = -0.174 dB

Peak SAR (extrapolated) = 0.195 W/kg

SAR(1 g) = 0.136 mW/g; SAR(10 g) = 0.094 mW/g

Maximum value of SAR (measured) = 0.145 mW/g

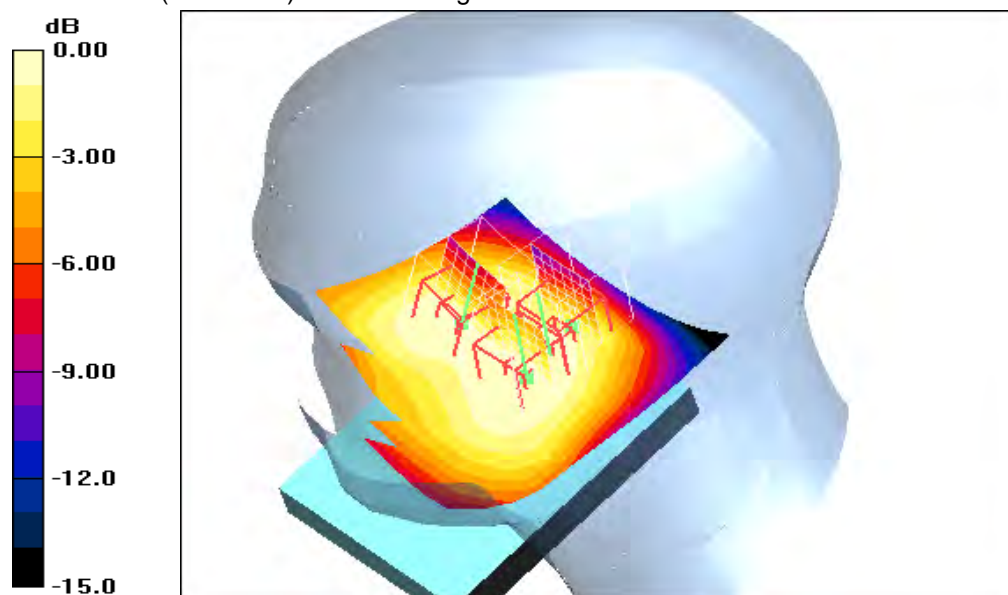
Tilt position - High/Zoom Scan (7x7x7) (7x7x7)/Cube 2: Measurement grid: $dx=5\text{mm}$, $dy=5\text{mm}$, $dz=5\text{mm}$

Reference Value = 13.6 V/m; Power Drift = -0.174 dB

Peak SAR (extrapolated) = 0.158 W/kg

SAR(1 g) = 0.119 mW/g; SAR(10 g) = 0.080 mW/g

Maximum value of SAR (measured) = 0.139 mW/g



0 dB = 0.139mW/g

Additional information:

ambient temperature: 22.3°C; liquid temperature: 20.9°C

Annex B.2: GSM 850MHz body

Date/Time: 17.03.2011 16:26:40 Date/Time: 17.03.2011 16:32:49

IEEE1528_OET65-Body-GSM850 GPRS 3TS

DUT: Sony Ericsson; Type: AAD-3880111-BV; Serial: CB5A1CHJXX

Communication System: PCS 850 GPRS 3TS; Frequency: 824.2 MHz; Duty Cycle: 1:2.7

Medium: M850 Medium parameters used: $f = 824.2$ MHz; $\sigma = 0.98$ mho/m; $\epsilon_r = 54.8$; $\rho = 1000$ kg/m³

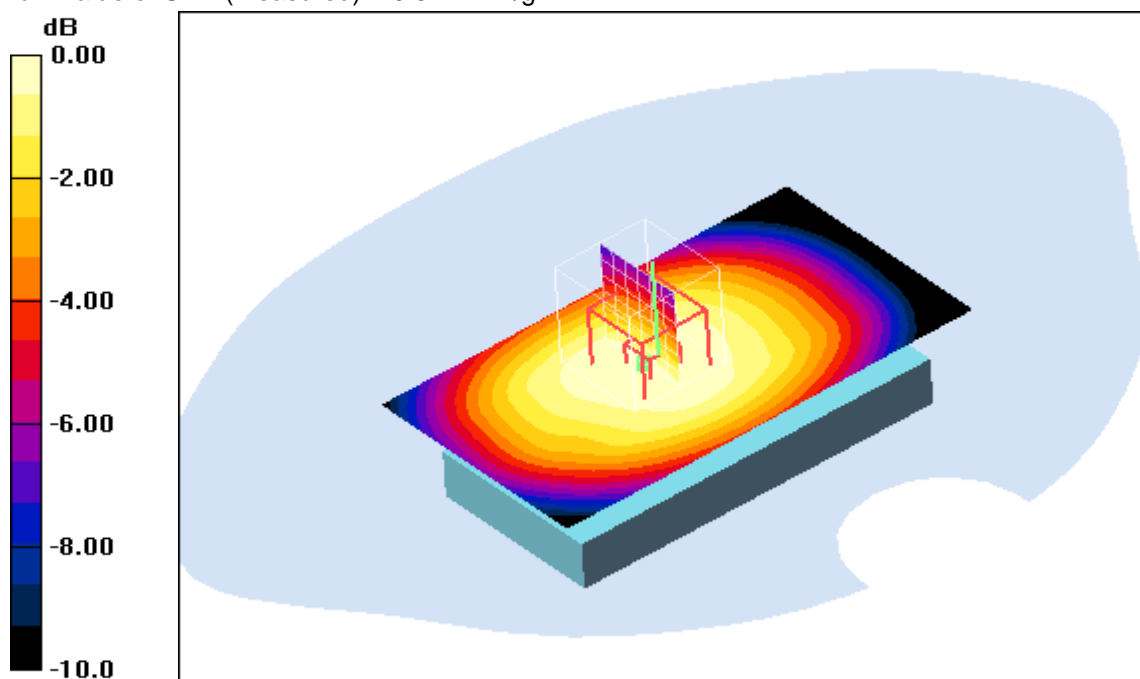
Phantom section: Flat Section

DASY4 Configuration:

- Probe: ET3DV6 - SN1559; ConvF(6.22, 6.22, 6.22); Calibrated: 19.01.2011
- Sensor-Surface: 4mm (Mechanical And Optical Surface Detection)
- Electronics: DAE3 Sn477; Calibrated: 07.05.2010
- Phantom: SAM left; Type: SAM; Serial: 1041
- Measurement SW: DASY4, V4.7 Build 71; Postprocessing SW: SEMCAD, V1.8 Build 146

Front position - Low/Area Scan (51x91x1): Measurement grid: dx=15mm, dy=15mm
Maximum value of SAR (interpolated) = 0.358 mW/g

Front position - Low/Zoom Scan (7x7x7) (7x7x7)/Cube 0: Measurement grid:
dx=5mm, dy=5mm, dz=5mm
Reference Value = 19.4 V/m; Power Drift = -0.077 dB
Peak SAR (extrapolated) = 0.406 W/kg
SAR(1 g) = 0.327 mW/g; SAR(10 g) = 0.249 mW/g
Maximum value of SAR (measured) = 0.344 mW/g



0 dB = 0.344mW/g

Additional information:

position or distance of DUT to SAM: 10 mm

ambient temperature: 21.9°C; liquid temperature: 21.1°C

Date/Time: 17.03.2011 16:47:53 Date/Time: 17.03.2011 16:53:51

IEEE1528_OET65-Body-GSM850 GPRS 3TS

DUT: Sony Ericsson; Type: AAD-3880111-BV; Serial: CB5A1CHJXX

Communication System: PCS 850 GPRS 3TS; Frequency: 836.6 MHz; Duty Cycle: 1:2.7

Medium: M850 Medium parameters used: $f = 836.6$ MHz; $\sigma = 0.98$ mho/m; $\epsilon_r = 54.8$; $\rho = 1000$ kg/m³

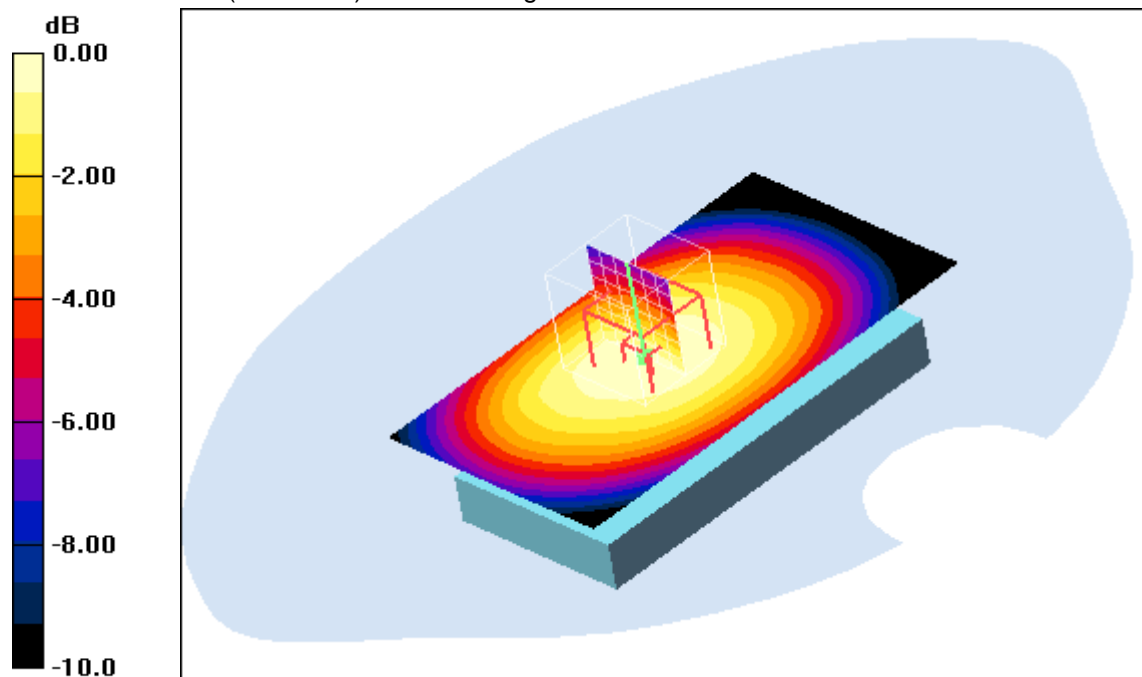
Phantom section: Flat Section

DASY4 Configuration:

- Probe: ET3DV6 - SN1559; ConvF(6.22, 6.22, 6.22); Calibrated: 19.01.2011
- Sensor-Surface: 4mm (Mechanical And Optical Surface Detection)
- Electronics: DAE3 Sn477; Calibrated: 07.05.2010
- Phantom: SAM left; Type: SAM; Serial: 1041
- Measurement SW: DASY4, V4.7 Build 71; Postprocessing SW: SEMCAD, V1.8 Build 146

Front position - Middle/Area Scan (51x91x1): Measurement grid: dx=15mm, dy=15mm
Maximum value of SAR (interpolated) = 0.425 mW/g

Front position - Middle/Zoom Scan (7x7x7) (7x7x7)/Cube 0: Measurement grid:
dx=5mm, dy=5mm, dz=5mm
Reference Value = 21.3 V/m; Power Drift = -0.01 dB
Peak SAR (extrapolated) = 0.499 W/kg
SAR(1 g) = 0.403 mW/g; SAR(10 g) = 0.306 mW/g
Maximum value of SAR (measured) = 0.424 mW/g



0 dB = 0.424mW/g

Additional information:

position or distance of DUT to SAM: 10 mm

ambient temperature: 21.9°C; liquid temperature: 21.1°C

Date/Time: 18.03.2011 08:42:00 Date/Time: 18.03.2011 08:48:37

IEEE1528_OET65-Body-GSM850 GPRS 3TS

DUT: Sony Ericsson; Type: AAD-3880111-BV; Serial: CB5A1CHJXX

Communication System: PCS 850 GPRS 3TS; Frequency: 848.8 MHz; Duty Cycle: 1:2.7

Medium: M850 Medium parameters used: $f = 848.8 \text{ MHz}$; $\sigma = 0.98 \text{ mho/m}$; $\epsilon_r = 54.8$; $\rho = 1000 \text{ kg/m}^3$

Phantom section: Flat Section

DASY4 Configuration:

- Probe: ET3DV6 - SN1559; ConvF(6.22, 6.22, 6.22); Calibrated: 19.01.2011
- Sensor-Surface: 4mm (Mechanical And Optical Surface Detection)
- Electronics: DAE3 Sn477; Calibrated: 07.05.2010
- Phantom: SAM left; Type: SAM; Serial: 1041
- Measurement SW: DASY4, V4.7 Build 71; Postprocessing SW: SEMCAD, V1.8 Build 146

Front position - High/Area Scan (51x91x1): Measurement grid: $dx=15\text{mm}$, $dy=15\text{mm}$

Maximum value of SAR (interpolated) = 0.568 mW/g

Front position - High/Zoom Scan (7x7x7) (7x7x7)/Cube 0: Measurement grid:

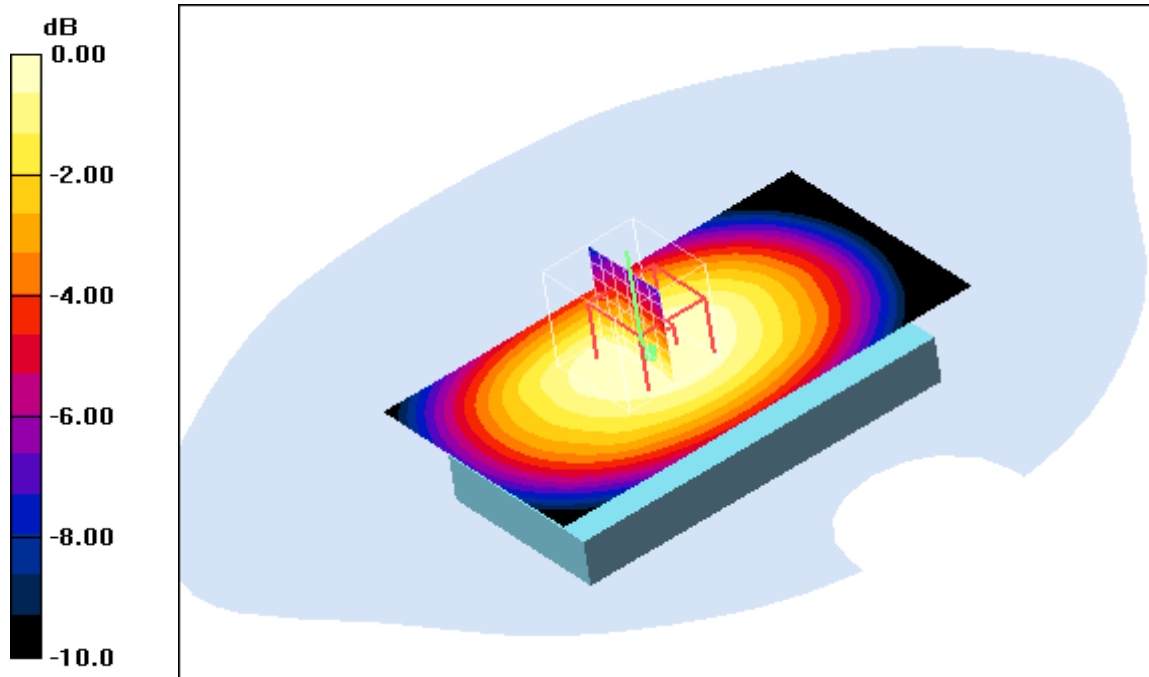
$dx=5\text{mm}$, $dy=5\text{mm}$, $dz=5\text{mm}$

Reference Value = 23.5 V/m; Power Drift = -0.173 dB

Peak SAR (extrapolated) = 0.630 W/kg

SAR(1 g) = 0.496 mW/g; SAR(10 g) = 0.375 mW/g

Maximum value of SAR (measured) = 0.529 mW/g



0 dB = 0.529mW/g

Additional information:

position or distance of DUT to SAM: 10 mm

ambient temperature: 21.9°C; liquid temperature: 21.1°C

Date/Time: 18.03.2011 12:34:43 Date/Time: 18.03.2011 12:41:10

IEEE1528_OET65-Body-GSM850 GPRS 3TS

DUT: Sony Ericsson; Type: AAD-3880111-BV; Serial: CB5A1CHJXX

Communication System: PCS 850 GPRS 3TS; Frequency: 824.2 MHz; Duty Cycle: 1:2.7

Medium: M850 Medium parameters used: $f = 824.2$ MHz; $\sigma = 0.98$ mho/m; $\epsilon_r = 54.8$; $\rho = 1000$ kg/m³

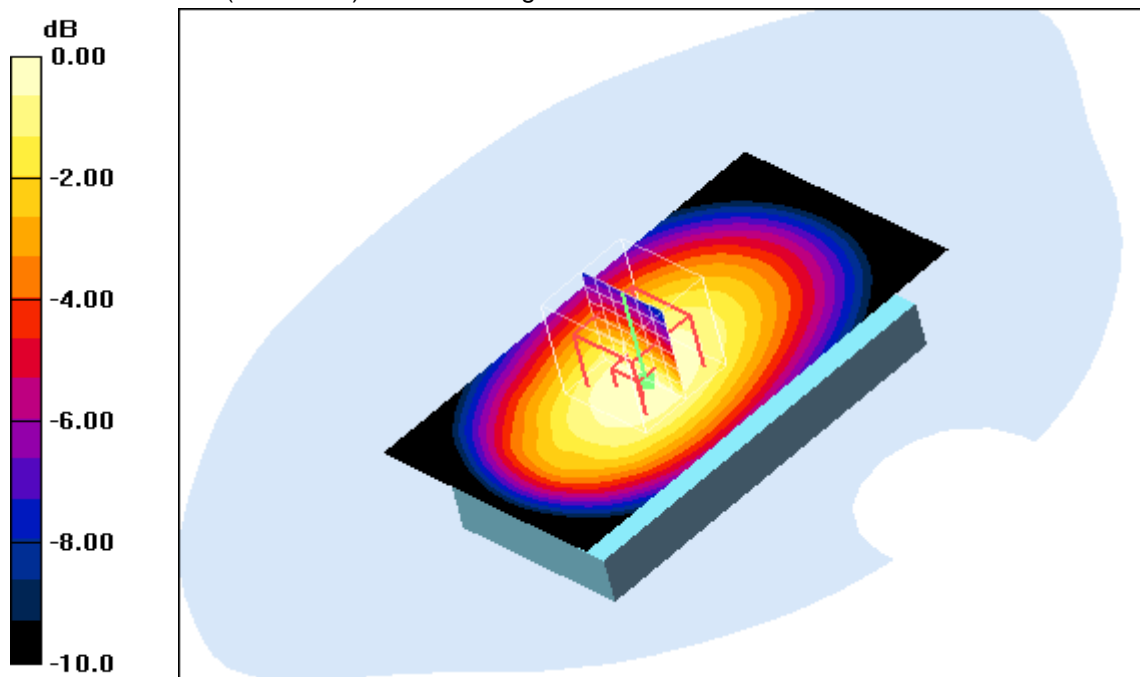
Phantom section: Flat Section

DASY4 Configuration:

- Probe: ET3DV6 - SN1559; ConvF(6.22, 6.22, 6.22); Calibrated: 19.01.2011
- Sensor-Surface: 4mm (Mechanical And Optical Surface Detection)
- Electronics: DAE3 Sn477; Calibrated: 07.05.2010
- Phantom: SAM left; Type: SAM; Serial: 1041
- Measurement SW: DASY4, V4.7 Build 71; Postprocessing SW: SEMCAD, V1.8 Build 146

Rear position - Low/Area Scan (51x91x1): Measurement grid: dx=15mm, dy=15mm
Maximum value of SAR (interpolated) = 0.817 mW/g

Rear position - Low/Zoom Scan (7x7x7) (7x7x7)/Cube 0: Measurement grid:
dx=5mm, dy=5mm, dz=5mm
Reference Value = 29.3 V/m; Power Drift = -0.011 dB
Peak SAR (extrapolated) = 0.982 W/kg
SAR(1 g) = 0.761 mW/g; SAR(10 g) = 0.558 mW/g
Maximum value of SAR (measured) = 0.804 mW/g



0 dB = 0.804mW/g

Additional information:

position or distance of DUT to SAM: 10 mm
ambient temperature: 21.9°C; liquid temperature: 21.1°C

Date/Time: 18.03.2011 12:11:40 Date/Time: 18.03.2011 12:17:45

IEEE1528_OET65-Body-GSM850 GPRS 3TS

DUT: Sony Ericsson; Type: AAD-3880111-BV; Serial: CB5A1CHJXX

Communication System: PCS 850 GPRS 3TS; Frequency: 836.6 MHz; Duty Cycle: 1:2.7

Medium: M850 Medium parameters used: $f = 836.6 \text{ MHz}$; $\sigma = 0.98 \text{ mho/m}$; $\epsilon_r = 54.8$; $\rho = 1000 \text{ kg/m}^3$

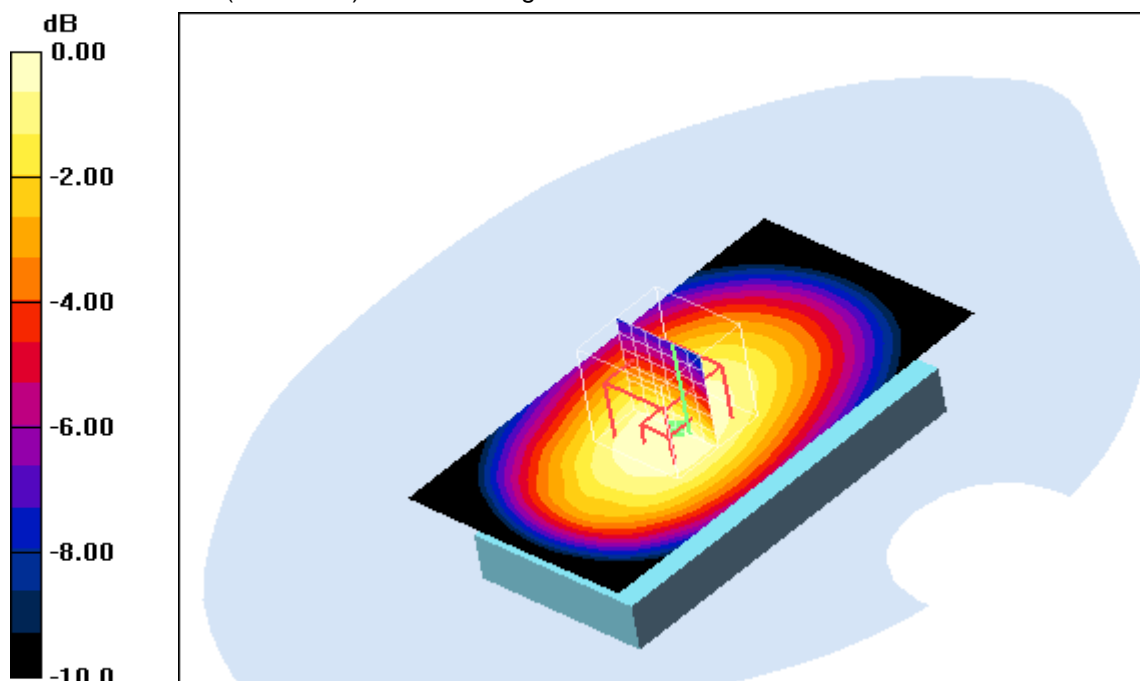
Phantom section: Flat Section

DASY4 Configuration:

- Probe: ET3DV6 - SN1559; ConvF(6.22, 6.22, 6.22); Calibrated: 19.01.2011
- Sensor-Surface: 4mm (Mechanical And Optical Surface Detection)
- Electronics: DAE3 Sn477; Calibrated: 07.05.2010
- Phantom: SAM left; Type: SAM; Serial: 1041
- Measurement SW: DASY4, V4.7 Build 71; Postprocessing SW: SEMCAD, V1.8 Build 146

Rear position - Middle/Area Scan (51x91x1): Measurement grid: $dx=15\text{mm}$, $dy=15\text{mm}$
 Maximum value of SAR (interpolated) = 0.950 mW/g

Rear position - Middle/Zoom Scan (7x7x7) (7x7x7)/Cube 0: Measurement grid:
 $dx=5\text{mm}$, $dy=5\text{mm}$, $dz=5\text{mm}$
 Reference Value = 31.1 V/m; Power Drift = 0.053 dB
 Peak SAR (extrapolated) = 1.13 W/kg
SAR(1 g) = 0.872 mW/g; SAR(10 g) = 0.639 mW/g
 Maximum value of SAR (measured) = 0.922 mW/g



0 dB = 0.922mW/g

Additional information:

position or distance of DUT to SAM: 10 mm
 ambient temperature: 21.9°C; liquid temperature: 21.1°C

Date/Time: 18.03.2011 11:49:05 Date/Time: 18.03.2011 11:55:51

IEEE1528_OET65-Body-GSM850 GPRS 3TS**DUT: Sony Ericsson; Type: AAD-3880111-BV; Serial: CB5A1CHJXX**

Communication System: PCS 850 GPRS 3TS; Frequency: 848.8 MHz; Duty Cycle: 1:2.7

Medium: M850 Medium parameters used: $f = 848.8$ MHz; $\sigma = 0.98$ mho/m; $\epsilon_r = 54.8$; $\rho = 1000$ kg/m³

Phantom section: Flat Section

DASY4 Configuration:

- Probe: ET3DV6 - SN1559; ConvF(6.22, 6.22, 6.22); Calibrated: 19.01.2011

- Sensor-Surface: 4mm (Mechanical And Optical Surface Detection)

- Electronics: DAE3 Sn477; Calibrated: 07.05.2010

- Phantom: SAM left; Type: SAM; Serial: 1041

- Measurement SW: DASY4, V4.7 Build 71; Postprocessing SW: SEMCAD, V1.8 Build 146

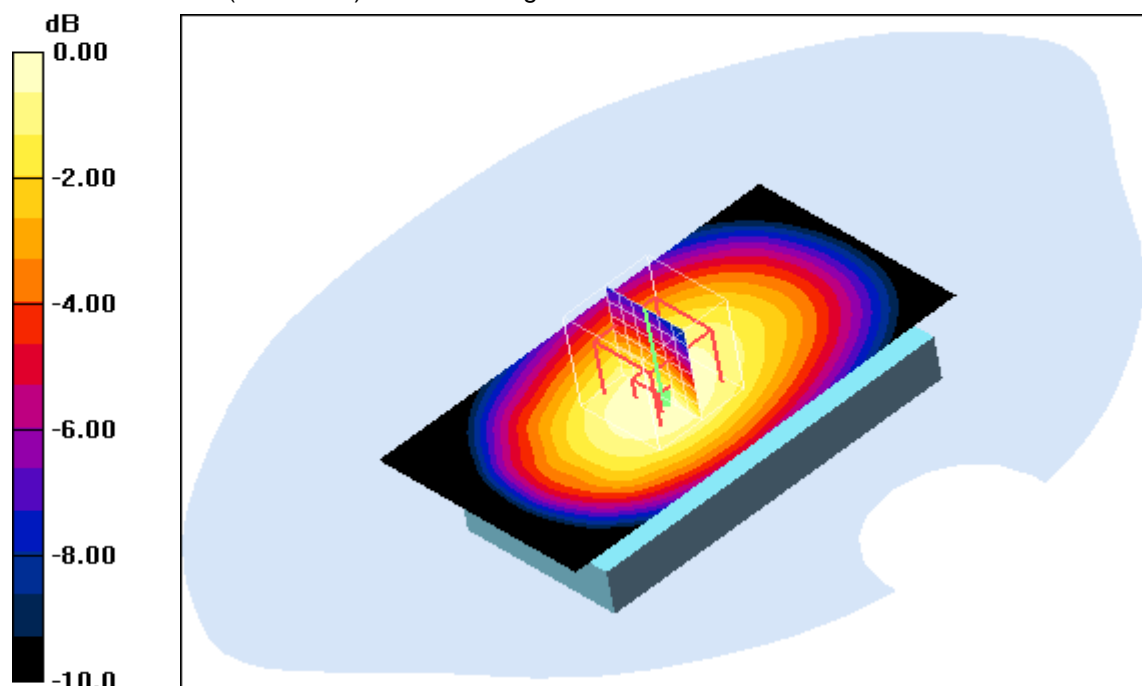
Rear position - High/Area Scan (51x91x1): Measurement grid: dx=15mm, dy=15mm
Maximum value of SAR (interpolated) = 0.969 mW/g**Rear position - High/Zoom Scan (7x7x7) (7x7x7)/Cube 0:** Measurement grid:
dx=5mm, dy=5mm, dz=5mm

Reference Value = 31.7 V/m; Power Drift = 0.081 dB

Peak SAR (extrapolated) = 1.14 W/kg

SAR(1 g) = 0.890 mW/g; SAR(10 g) = 0.650 mW/g

Maximum value of SAR (measured) = 0.937 mW/g

**Additional information:**

position or distance of DUT to SAM: 10 mm

ambient temperature: 21.9°C; liquid temperature: 21.1°C

Date/Time: 17.03.2011 14:57:04 Date/Time: 17.03.2011 15:03:02

IEEE1528_OET65-Body-GSM850 GPRS 3TS

DUT: Sony Ericsson; Type: AAD-3880111-BV; Serial: CB5A1CHJXX

Communication System: PCS 850 GPRS 3TS; Frequency: 836.6 MHz; Duty Cycle: 1:2.7

Medium: M850 Medium parameters used: $f = 836.6 \text{ MHz}$; $\sigma = 0.98 \text{ mho/m}$; $\epsilon_r = 54.8$; $\rho = 1000 \text{ kg/m}^3$

Phantom section: Flat Section

DASY4 Configuration:

- Probe: ET3DV6 - SN1559; ConvF(6.22, 6.22, 6.22); Calibrated: 19.01.2011
- Sensor-Surface: 4mm (Mechanical And Optical Surface Detection)
- Electronics: DAE3 Sn477; Calibrated: 07.05.2010
- Phantom: SAM left; Type: SAM; Serial: 1041
- Measurement SW: DASY4, V4.7 Build 71; Postprocessing SW: SEMCAD, V1.8 Build 146

Edge left position - Middle/Area Scan (51x91x1): Measurement grid: $dx=15\text{mm}$, $dy=15\text{mm}$

Maximum value of SAR (interpolated) = 0.534 mW/g

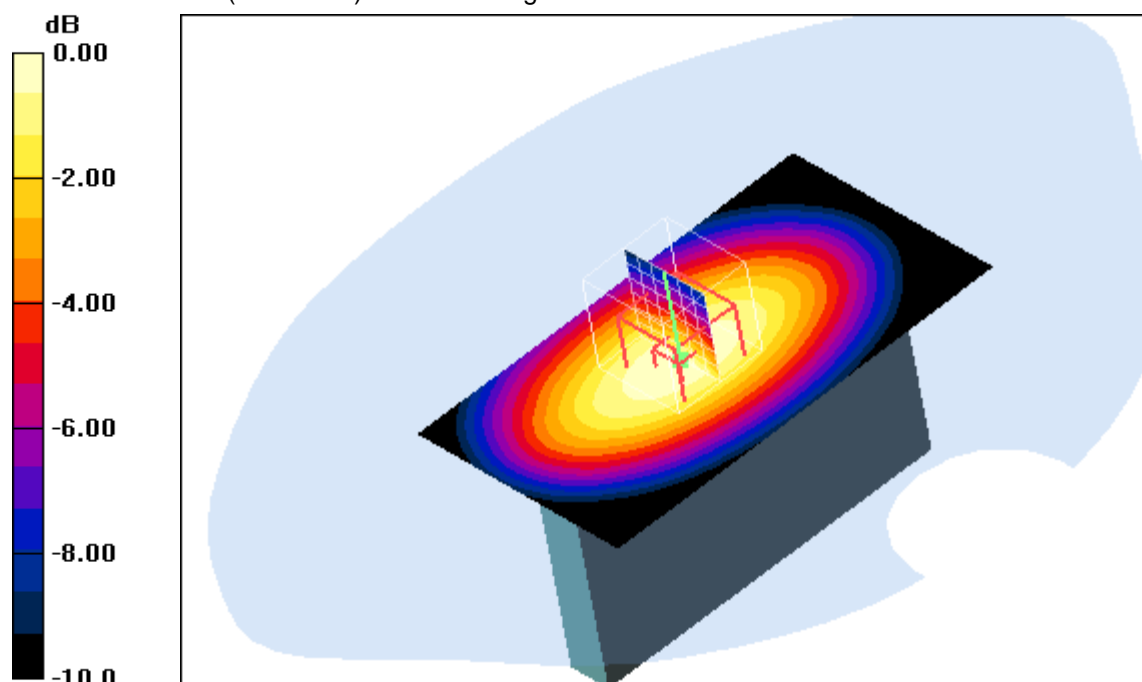
Edge left position - Middle/Zoom Scan (7x7x7) (7x7x7)/Cube 0: Measurement grid: $dx=5\text{mm}$, $dy=5\text{mm}$, $dz=5\text{mm}$

Reference Value = 23.9 V/m; Power Drift = -0.175 dB

Peak SAR (extrapolated) = 0.704 W/kg

SAR(1 g) = 0.500 mW/g; SAR(10 g) = 0.341 mW/g

Maximum value of SAR (measured) = 0.539 mW/g



0 dB = 0.539mW/g

Additional information:

position or distance of DUT to SAM: 10 mm

ambient temperature: 21.9°C; liquid temperature: 21.1°C

Date/Time: 17.03.2011 15:17:32 Date/Time: 17.03.2011 15:23:50

IEEE1528_OET65-Body-GSM850 GPRS 3TS

DUT: Sony Ericsson; Type: AAD-3880111-BV; Serial: CB5A1CHJXX

Communication System: PCS 850 GPRS 3TS; Frequency: 836.6 MHz; Duty Cycle: 1:2.7

Medium: M850 Medium parameters used: $f = 836.6 \text{ MHz}$; $\sigma = 0.98 \text{ mho/m}$; $\epsilon_r = 54.8$; $\rho = 1000 \text{ kg/m}^3$

Phantom section: Flat Section

DASY4 Configuration:

- Probe: ET3DV6 - SN1559; ConvF(6.22, 6.22, 6.22); Calibrated: 19.01.2011
- Sensor-Surface: 4mm (Mechanical And Optical Surface Detection)
- Electronics: DAE3 Sn477; Calibrated: 07.05.2010
- Phantom: SAM left; Type: SAM; Serial: 1041
- Measurement SW: DASY4, V4.7 Build 71; Postprocessing SW: SEMCAD, V1.8 Build 146

Edge right position - Middle/Area Scan (51x91x1): Measurement grid: $dx=15\text{mm}$, $dy=15\text{mm}$

Maximum value of SAR (interpolated) = 0.483 mW/g

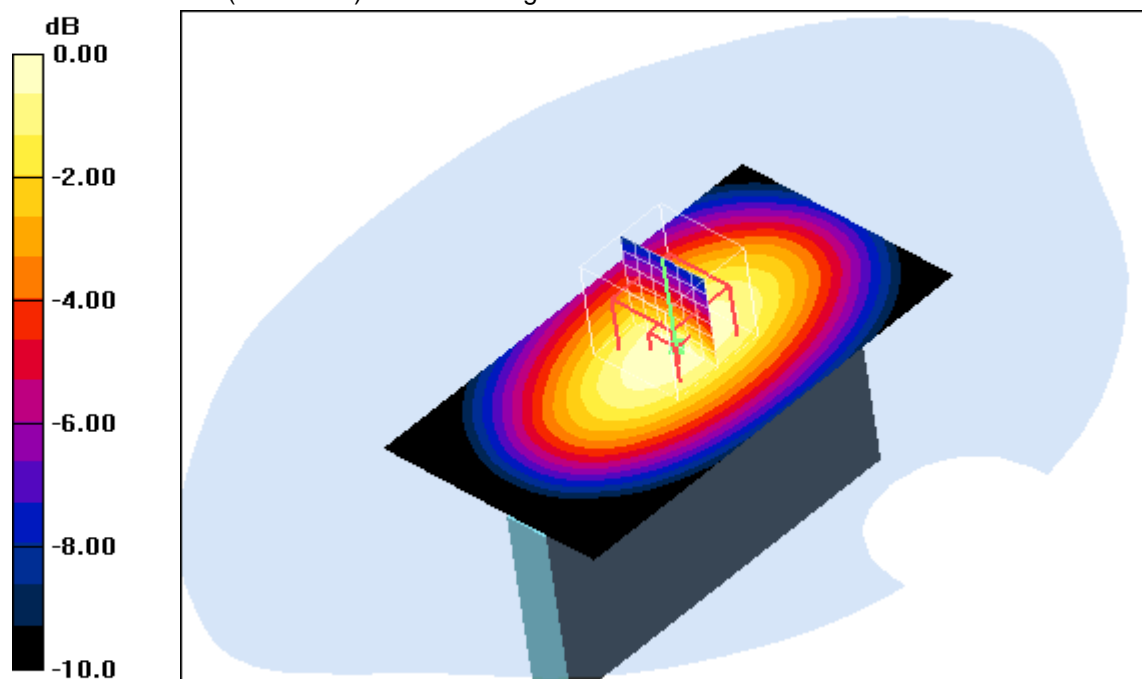
Edge right position - Middle/Zoom Scan (7x7x7) (7x7x7)/Cube 0: Measurement grid: $dx=5\text{mm}$, $dy=5\text{mm}$, $dz=5\text{mm}$

Reference Value = 22.5 V/m; Power Drift = -0.015 dB

Peak SAR (extrapolated) = 0.617 W/kg

SAR(1 g) = 0.451 mW/g; SAR(10 g) = 0.315 mW/g

Maximum value of SAR (measured) = 0.480 mW/g



0 dB = 0.480mW/g

Additional information:

position or distance of DUT to SAM: 10 mm

ambient temperature: 21.9°C; liquid temperature: 21.1°C

Date/Time: 17.03.2011 12:01:33 Date/Time: 17.03.2011 12:08:49

IEEE1528_OET65-Body-GSM850 GPRS 3TS

DUT: Sony Ericsson; Type: AAD-3880111-BV; Serial: CB5A1CHJXX

Communication System: PCS 850 GPRS 3TS; Frequency: 836.6 MHz; Duty Cycle: 1:2.7

Medium: M850 Medium parameters used: $f = 836.6 \text{ MHz}$; $\sigma = 0.98 \text{ mho/m}$; $\epsilon_r = 54.8$; $\rho = 1000 \text{ kg/m}^3$

Phantom section: Flat Section

DASY4 Configuration:

- Probe: ET3DV6 - SN1559; ConvF(6.22, 6.22, 6.22); Calibrated: 19.01.2011
- Sensor-Surface: 4mm (Mechanical And Optical Surface Detection)
- Electronics: DAE3 Sn477; Calibrated: 07.05.2010
- Phantom: SAM left; Type: SAM; Serial: 1041
- Measurement SW: DASY4, V4.7 Build 71; Postprocessing SW: SEMCAD, V1.8 Build 146

Edge bottom position - Middle/Area Scan (61x61x1): Measurement grid: $dx=15\text{mm}$, $dy=15\text{mm}$

Maximum value of SAR (interpolated) = 0.056 mW/g

Edge bottom position - Middle/Zoom Scan (7x7x7) (7x7x7)/Cube 0:

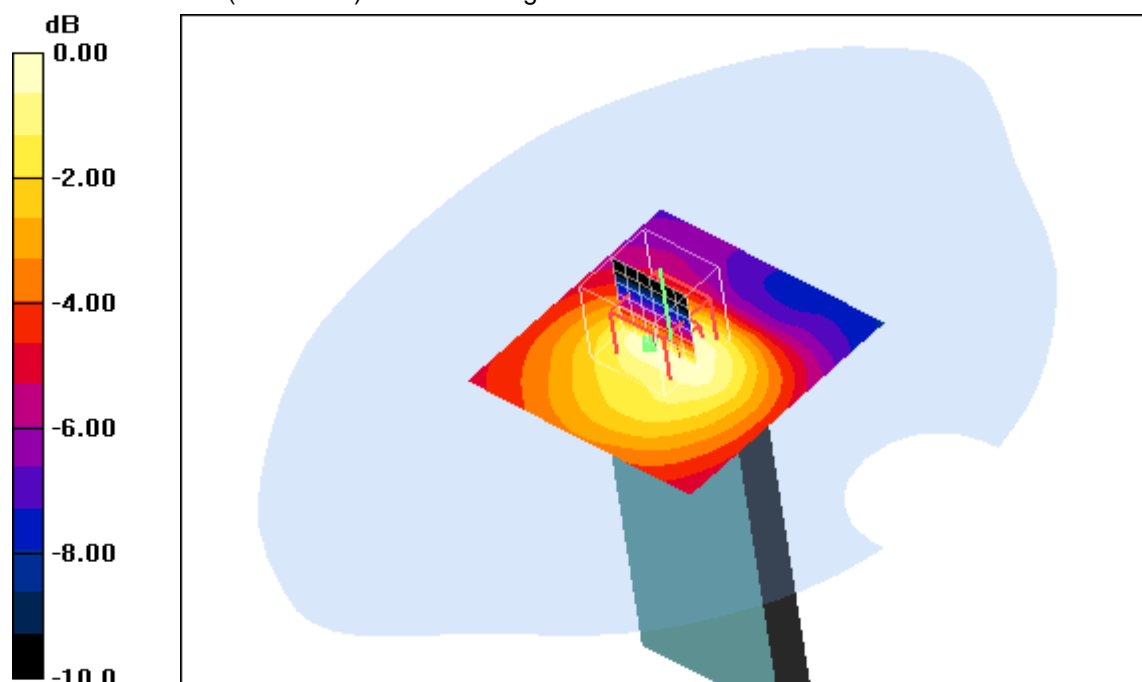
Measurement grid: $dx=5\text{mm}$, $dy=5\text{mm}$, $dz=5\text{mm}$

Reference Value = 7.49 V/m; Power Drift = 0.145 dB

Peak SAR (extrapolated) = 0.151 W/kg

SAR(1 g) = 0.052 mW/g; SAR(10 g) = 0.031 mW/g

Maximum value of SAR (measured) = 0.056 mW/g



0 dB = 0.056mW/g

Additional information:

position or distance of DUT to SAM: 10 mm

ambient temperature: 21.9°C; liquid temperature: 21.1°C

Date/Time: 18.03.2011 12:58:53 Date/Time: 18.03.2011 13:05:02

IEEE1528_OET65-Body-GSM850 1TS

DUT: Sony Ericsson; Type: AAD-3880111-BV; Serial: CB5A1CHJXX

Communication System: PCS 850; Frequency: 848.8 MHz; Duty Cycle: 1:8

Medium: M850 Medium parameters used: $f = 848.8 \text{ MHz}$; $\sigma = 0.98 \text{ mho/m}$; $\epsilon_r = 54.8$; $\rho = 1000 \text{ kg/m}^3$

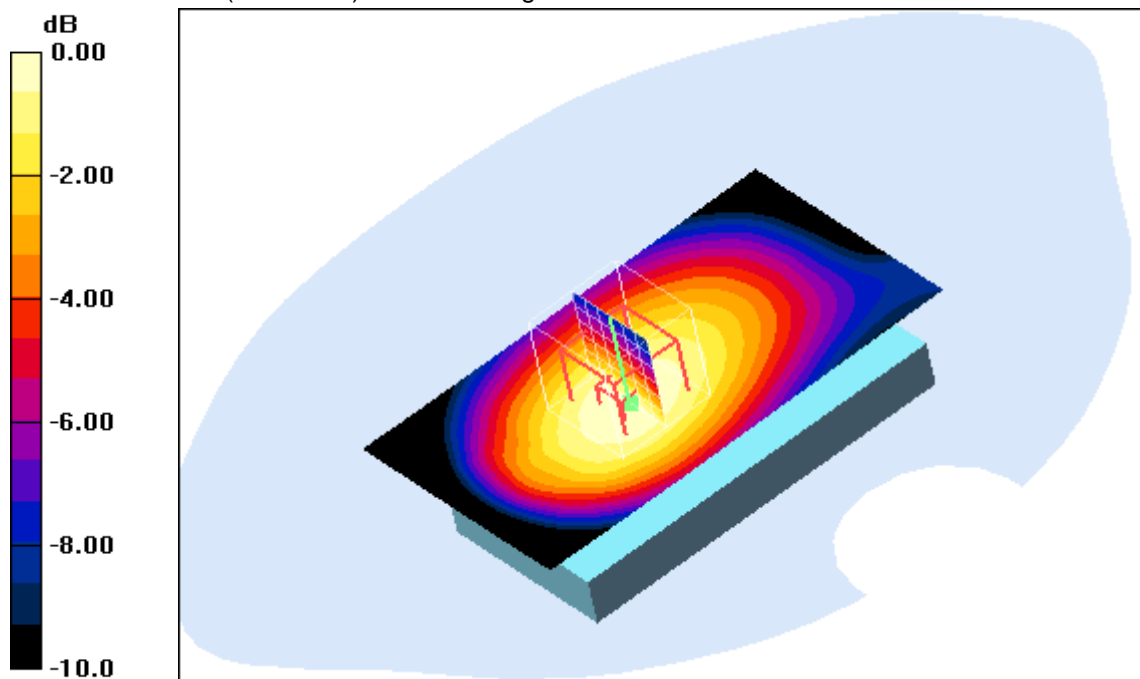
Phantom section: Flat Section

DASY4 Configuration:

- Probe: ET3DV6 - SN1559; ConvF(6.22, 6.22, 6.22); Calibrated: 19.01.2011
- Sensor-Surface: 4mm (Mechanical And Optical Surface Detection)
- Electronics: DAE3 Sn477; Calibrated: 07.05.2010
- Phantom: SAM left; Type: SAM; Serial: 1041
- Measurement SW: DASY4, V4.7 Build 71; Postprocessing SW: SEMCAD, V1.8 Build 146

Rear position - High/Area Scan (51x91x1): Measurement grid: $dx=15\text{mm}$, $dy=15\text{mm}$
 Maximum value of SAR (interpolated) = 0.372 mW/g

Rear position - High/Zoom Scan (7x7x7) (7x7x7)/Cube 0: Measurement grid:
 $dx=5\text{mm}$, $dy=5\text{mm}$, $dz=5\text{mm}$
 Reference Value = 20.0 V/m; Power Drift = -0.090 dB
 Peak SAR (extrapolated) = 0.469 W/kg
SAR(1 g) = 0.350 mW/g; SAR(10 g) = 0.249 mW/g
 Maximum value of SAR (measured) = 0.372 mW/g



0 dB = 0.372mW/g

Additional information:

position or distance of DUT to SAM: 15 mm
 ambient temperature: 21.9°C; liquid temperature: 21.1°C

Annex B.3: GSM 1900MHz head

Date/Time: 25.03.2011 17:59:29 Date/Time: 25.03.2011 18:05:42 Date/Time: 25.03.2011 18:17:30

IEEE1528_OET65-LeftHandSide-GSM1900

DUT: Sony Ericsson; Type: AAD-3880111-BV; Serial: CB5A1CHJXX

Communication System: GSM 1900; Frequency: 1850.2 MHz; Duty Cycle: 1:8

Medium: HSL1900 Medium parameters used: $f = 1850.2$ MHz; $\sigma = 1.41$ mho/m; $\epsilon_r = 39.6$; $\rho = 1000$ kg/m³

Phantom section: Left Section

DASY4 Configuration:

- Probe: ET3DV6 - SN1558; ConvF(4.76, 4.76, 4.76); Calibrated: 11.08.2010
- Sensor-Surface: 4mm (Mechanical And Optical Surface Detection)
- Electronics: DAE3 Sn413; Calibrated: 13.01.2011
- Phantom: SAM 12; Type: SAM; Serial: 1043
- Measurement SW: DASY4, V4.5 Build 19; Postprocessing SW: SEMCAD, V1.8 Build 146

Touch position - Low/Area Scan (51x91x1): Measurement grid: dx=15mm, dy=15mm
Maximum value of SAR (interpolated) = 0.501 mW/g

Touch position - Low/Zoom Scan (7x7x7) (7x7x7)/Cube 0: Measurement grid:
dx=5mm, dy=5mm, dz=5mm

Reference Value = 20.5 V/m; Power Drift = -0.196 dB

Peak SAR (extrapolated) = 0.699 W/kg

SAR(1 g) = 0.478 mW/g; SAR(10 g) = 0.292 mW/g

Maximum value of SAR (measured) = 0.515 mW/g

Touch position - Low/Zoom Scan (7x7x7) (7x7x7)/Cube 1: Measurement grid:

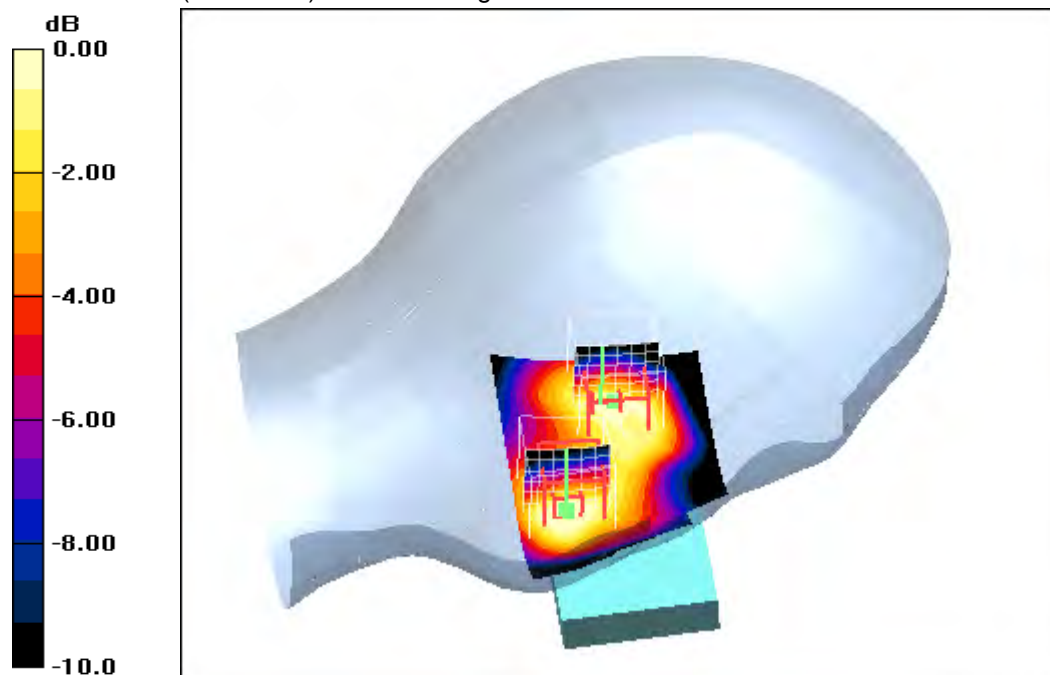
dx=5mm, dy=5mm, dz=5mm

Reference Value = 20.5 V/m; Power Drift = -0.196 dB

Peak SAR (extrapolated) = 0.473 W/kg

SAR(1 g) = 0.360 mW/g; SAR(10 g) = 0.243 mW/g

Maximum value of SAR (measured) = 0.411 mW/g



0 dB = 0.411mW/g

Additional information:

ambient temperature: 22.2 °C; liquid temperature: 22.1 °C

Date/Time: 25.03.2011 18:35:45 Date/Time: 25.03.2011 18:42:01 Date/Time: 25.03.2011 18:53:43

IEEE1528_OET65-LeftHandSide-GSM1900

DUT: Sony Ericsson; Type: AAD-3880111-BV; Serial: CB5A1CHJXX

Communication System: GSM 1900; Frequency: 1880 MHz; Duty Cycle: 1:8

Medium: HSL1900 Medium parameters used: $f = 1880 \text{ MHz}$; $\sigma = 1.41 \text{ mho/m}$; $\epsilon_r = 39.6$; $\rho = 1000 \text{ kg/m}^3$

Phantom section: Left Section

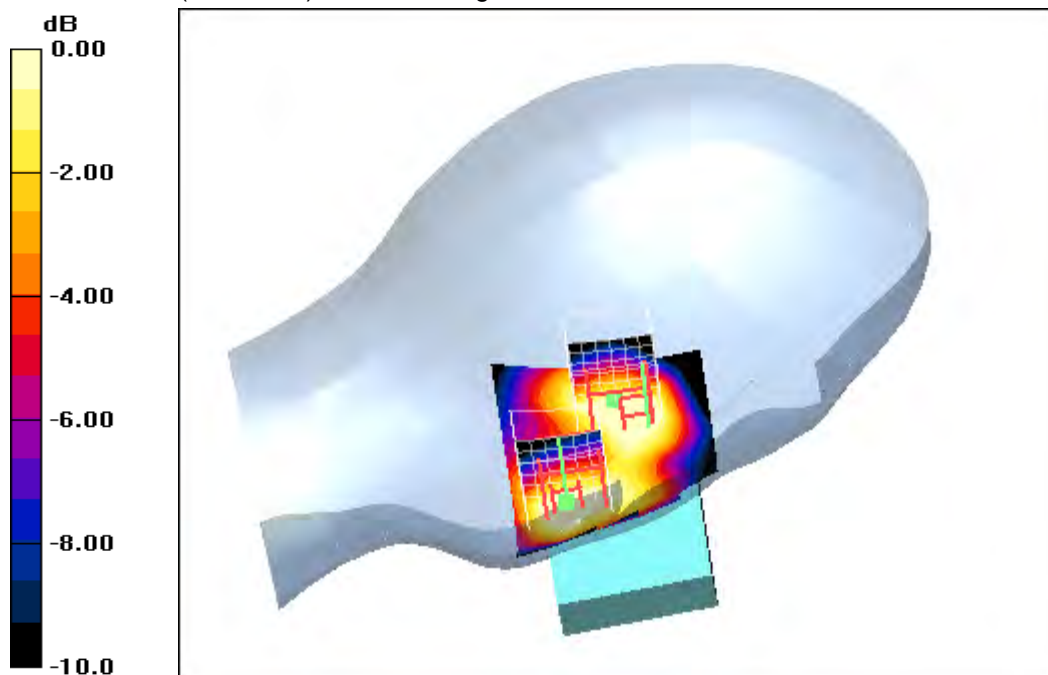
DASY4 Configuration:

- Probe: ET3DV6 - SN1558; ConvF(4.76, 4.76, 4.76); Calibrated: 11.08.2010
- Sensor-Surface: 4mm (Mechanical And Optical Surface Detection)
- Electronics: DAE3 Sn413; Calibrated: 13.01.2011
- Phantom: SAM 12; Type: SAM; Serial: 1043
- Measurement SW: DASY4, V4.5 Build 19; Postprocessing SW: SEMCAD, V1.8 Build 146

Touch position - Middle/Area Scan (51x91x1): Measurement grid: $dx=15\text{mm}$, $dy=15\text{mm}$
 Maximum value of SAR (interpolated) = 0.537 mW/g

Touch position - Middle/Zoom Scan (7x7x7) (7x7x7)/Cube 0: Measurement grid:
 $dx=5\text{mm}$, $dy=5\text{mm}$, $dz=5\text{mm}$
 Reference Value = 20.5 V/m; Power Drift = -0.039 dB
 Peak SAR (extrapolated) = 0.724 W/kg
SAR(1 g) = 0.509 mW/g; SAR(10 g) = 0.314 mW/g
 Maximum value of SAR (measured) = 0.555 mW/g

Touch position - Middle/Zoom Scan (7x7x7) (7x7x7)/Cube 1: Measurement grid:
 $dx=5\text{mm}$, $dy=5\text{mm}$, $dz=5\text{mm}$
 Reference Value = 20.5 V/m; Power Drift = -0.039 dB
 Peak SAR (extrapolated) = 0.506 W/kg
SAR(1 g) = 0.379 mW/g; SAR(10 g) = 0.260 mW/g
 Maximum value of SAR (measured) = 0.409 mW/g



Additional information:

ambient temperature: 22.2 °C; liquid temperature: 22.1 °C

Date/Time: 25.03.2011 19:07:24 Date/Time: 25.03.2011 19:13:42 Date/Time: 25.03.2011 19:25:36

IEEE1528_OET65-LeftHandSide-GSM1900

DUT: Sony Ericsson; Type: AAD-3880111-BV; Serial: CB5A1CHJXX

Communication System: GSM 1900; Frequency: 1909.8 MHz; Duty Cycle: 1:8

Medium: HSL1900 Medium parameters used: $f = 1909.8 \text{ MHz}$; $\sigma = 1.41 \text{ mho/m}$; $\epsilon_r = 39.6$; $\rho = 1000 \text{ kg/m}^3$

Phantom section: Left Section

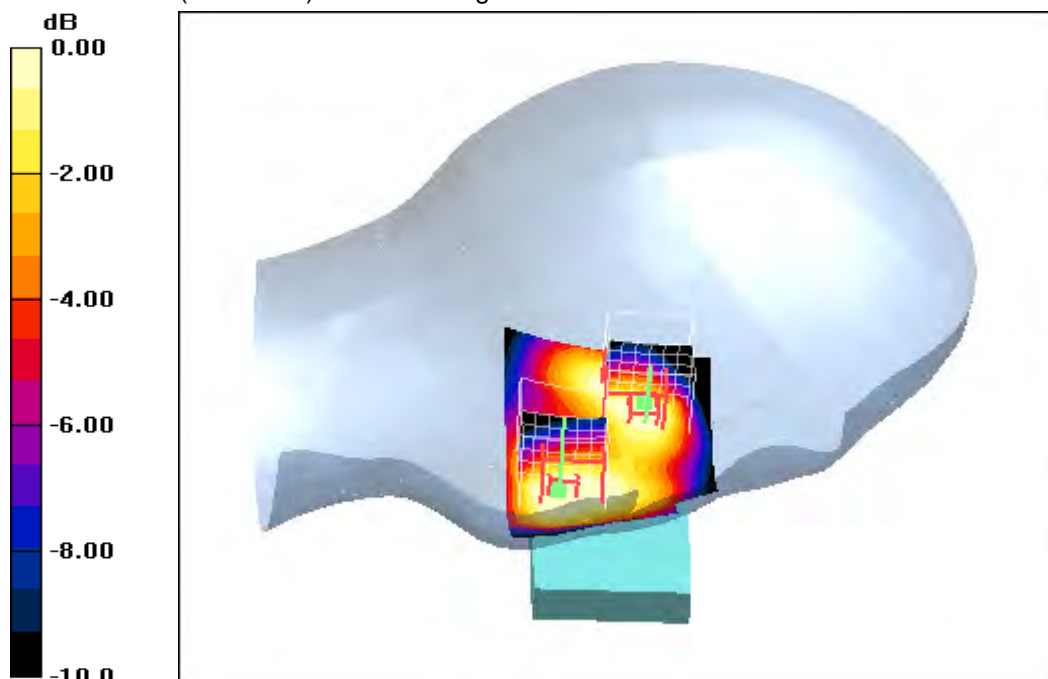
DASY4 Configuration:

- Probe: ET3DV6 - SN1558; ConvF(4.76, 4.76, 4.76); Calibrated: 11.08.2010
- Sensor-Surface: 4mm (Mechanical And Optical Surface Detection)
- Electronics: DAE3 Sn413; Calibrated: 13.01.2011
- Phantom: SAM 12; Type: SAM; Serial: 1043
- Measurement SW: DASY4, V4.5 Build 19; Postprocessing SW: SEMCAD, V1.8 Build 146

Touch position - High/Area Scan (51x91x1): Measurement grid: $dx=15\text{mm}$, $dy=15\text{mm}$
 Maximum value of SAR (interpolated) = 0.509 mW/g

Touch position - High/Zoom Scan (7x7x7) (7x7x7)/Cube 0: Measurement grid:
 $dx=5\text{mm}$, $dy=5\text{mm}$, $dz=5\text{mm}$
 Reference Value = 19.1 V/m; Power Drift = 0.052 dB
 Peak SAR (extrapolated) = 0.646 W/kg
SAR(1 g) = 0.454 mW/g; SAR(10 g) = 0.283 mW/g
 Maximum value of SAR (measured) = 0.493 mW/g

Touch position - High/Zoom Scan (7x7x7) (7x7x7)/Cube 1: Measurement grid:
 $dx=5\text{mm}$, $dy=5\text{mm}$, $dz=5\text{mm}$
 Reference Value = 19.1 V/m; Power Drift = 0.052 dB
 Peak SAR (extrapolated) = 0.452 W/kg
SAR(1 g) = 0.330 mW/g; SAR(10 g) = 0.220 mW/g
 Maximum value of SAR (measured) = 0.359 mW/g



0 dB = 0.359mW/g

Additional information:

ambient temperature: 22.2 °C; liquid temperature: 22.1 °C

Date/Time: 25.03.2011 21:06:37 Date/Time: 25.03.2011 21:16:06

IEEE1528_OET65-LeftHandSide-GSM1900

DUT: Sony Ericsson; Type: AAD-3880111-BV; Serial: CB5A1CHJXX

Communication System: GSM 1900; Frequency: 1850.2 MHz; Duty Cycle: 1:8

Medium: HSL1900 Medium parameters used: $f = 1850.2 \text{ MHz}$; $\sigma = 1.41 \text{ mho/m}$; $\epsilon_r = 39.6$; $\rho = 1000 \text{ kg/m}^3$

Phantom section: Left Section

DASY4 Configuration:

- Probe: ET3DV6 - SN1558; ConvF(4.76, 4.76, 4.76); Calibrated: 11.08.2010
- Sensor-Surface: 4mm (Mechanical And Optical Surface Detection)
- Electronics: DAE3 Sn413; Calibrated: 13.01.2011
- Phantom: SAM 12; Type: SAM; Serial: 1043
- Measurement SW: DASY4, V4.5 Build 19; Postprocessing SW: SEMCAD, V1.8 Build 146

Tilt position - Low/Area Scan (51x91x1): Measurement grid: $dx=15\text{mm}$, $dy=15\text{mm}$

Maximum value of SAR (interpolated) = 0.818 mW/g

Tilt position - Low/Zoom Scan (7x7x7) (7x7x7)/Cube 0: Measurement grid: $dx=5\text{mm}$,

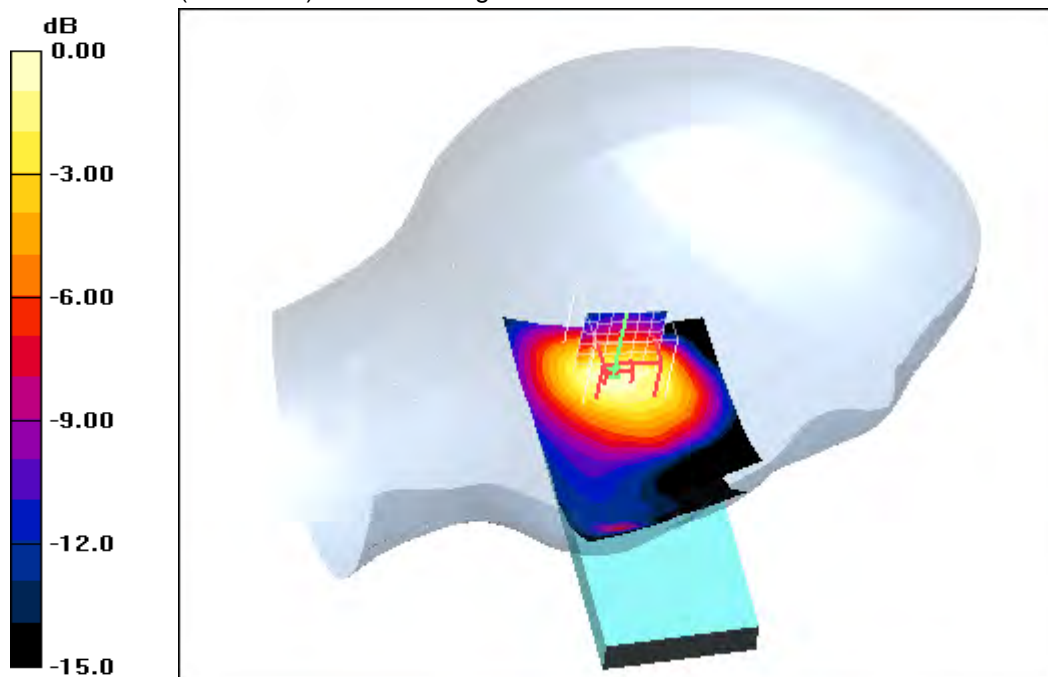
$dy=5\text{mm}$, $dz=5\text{mm}$

Reference Value = 22.8 V/m; Power Drift = -0.064 dB

Peak SAR (extrapolated) = 1.03 W/kg

SAR(1 g) = 0.720 mW/g; SAR(10 g) = 0.436 mW/g

Maximum value of SAR (measured) = 0.797 mW/g



0 dB = 0.797mW/g

Additional information:

ambient temperature: 22.2 °C; liquid temperature: 22.1 °C

Date/Time: 25.03.2011 20:04:29 Date/Time: 25.03.2011 20:11:01

IEEE1528_OET65-LeftHandSide-GSM1900

DUT: Sony Ericsson; Type: AAD-3880111-BV; Serial: CB5A1CHJXX

Communication System: GSM 1900; Frequency: 1880 MHz; Duty Cycle: 1:8

Medium: HSL1900 Medium parameters used: $f = 1880$ MHz; $\sigma = 1.41$ mho/m; $\epsilon_r = 39.6$; $\rho = 1000$ kg/m³

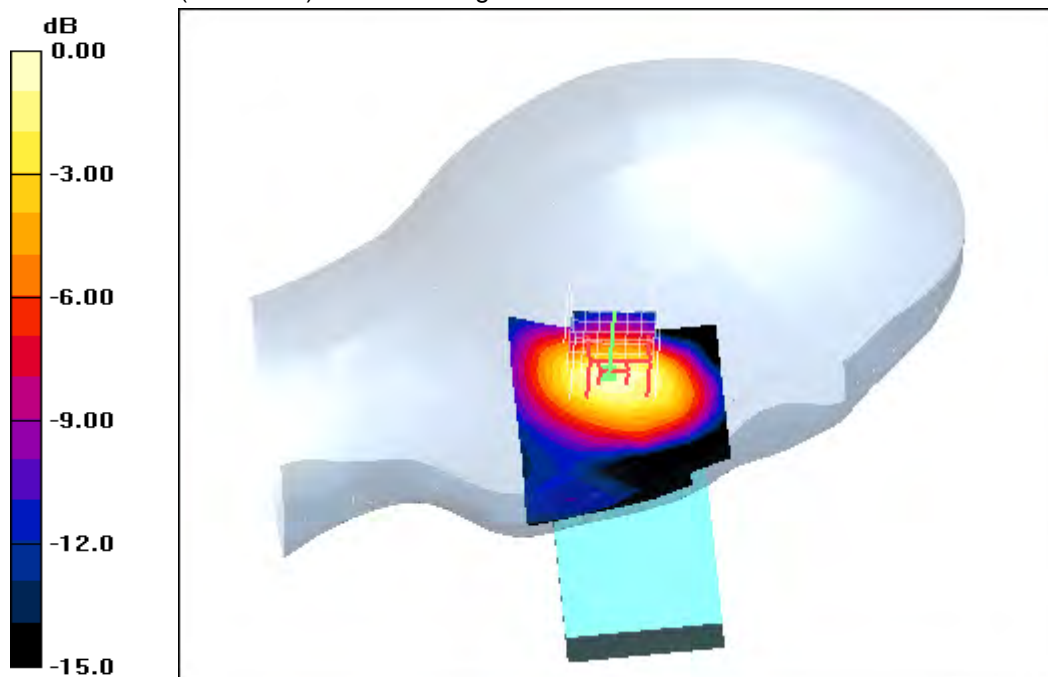
Phantom section: Left Section

DASY4 Configuration:

- Probe: ET3DV6 - SN1558; ConvF(4.76, 4.76, 4.76); Calibrated: 11.08.2010
- Sensor-Surface: 4mm (Mechanical And Optical Surface Detection)
- Electronics: DAE3 Sn413; Calibrated: 13.01.2011
- Phantom: SAM 12; Type: SAM; Serial: 1043
- Measurement SW: DASY4, V4.5 Build 19; Postprocessing SW: SEMCAD, V1.8 Build 146

Tilt position - Middle/Area Scan (51x91x1): Measurement grid: dx=15mm, dy=15mm
 Maximum value of SAR (interpolated) = 0.904 mW/g

Tilt position - Middle/Zoom Scan (7x7x7) (7x7x7)/Cube 0: Measurement grid:
 dx=5mm, dy=5mm, dz=5mm
 Reference Value = 24.3 V/m; Power Drift = -0.034 dB
 Peak SAR (extrapolated) = 1.20 W/kg
SAR(1 g) = 0.808 mW/g; SAR(10 g) = 0.484 mW/g
 Maximum value of SAR (measured) = 0.896 mW/g



0 dB = 0.896mW/g

Additional information:

ambient temperature: 22.2 °C; liquid temperature: 22.1 °C

Date/Time: 25.03.2011 19:44:35 Date/Time: 25.03.2011 19:51:08

IEEE1528_OET65-LeftHandSide-GSM1900

DUT: Sony Ericsson; Type: AAD-3880111-BV; Serial: CB5A1CHJXX

Communication System: GSM 1900; Frequency: 1909.8 MHz; Duty Cycle: 1:8

Medium: HSL1900 Medium parameters used: $f = 1909.8 \text{ MHz}$; $\sigma = 1.41 \text{ mho/m}$; $\epsilon_r = 39.6$; $\rho = 1000 \text{ kg/m}^3$

Phantom section: Left Section

DASY4 Configuration:

- Probe: ET3DV6 - SN1558; ConvF(4.76, 4.76, 4.76); Calibrated: 11.08.2010
- Sensor-Surface: 4mm (Mechanical And Optical Surface Detection)
- Electronics: DAE3 Sn413; Calibrated: 13.01.2011
- Phantom: SAM 12; Type: SAM; Serial: 1043
- Measurement SW: DASY4, V4.5 Build 19; Postprocessing SW: SEMCAD, V1.8 Build 146

Tilt position - High/Area Scan (51x91x1): Measurement grid: $dx=15\text{mm}$, $dy=15\text{mm}$

Maximum value of SAR (interpolated) = 0.794 mW/g

Tilt position - High/Zoom Scan (7x7x7) (7x7x7)/Cube 0: Measurement grid: $dx=5\text{mm}$,

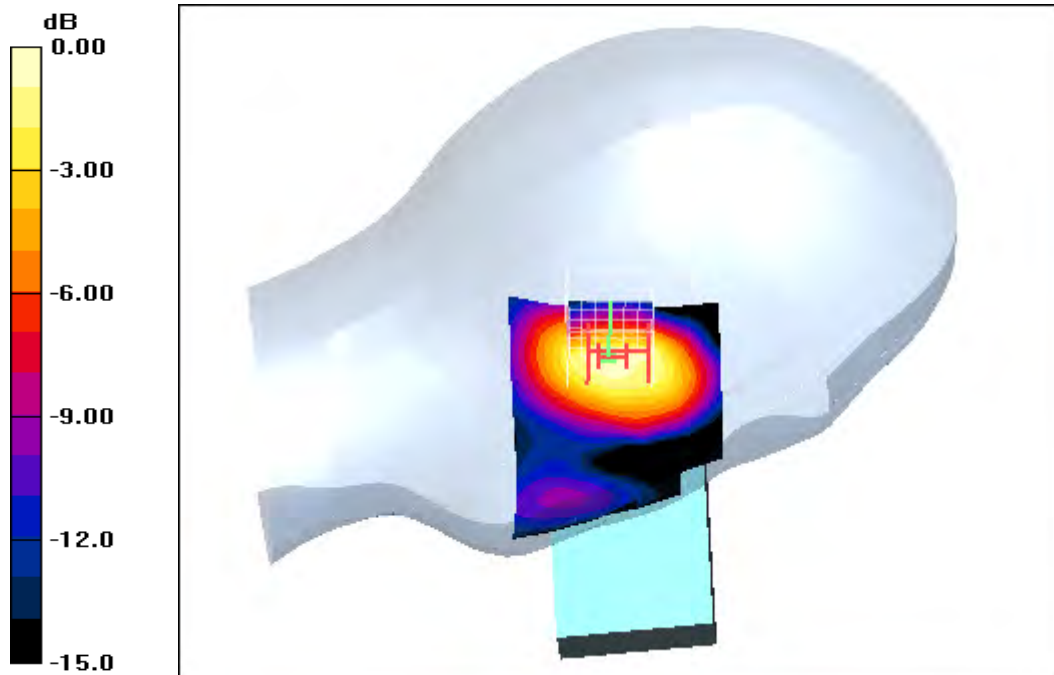
$dy=5\text{mm}$, $dz=5\text{mm}$

Reference Value = 22.8 V/m; Power Drift = -0.019 dB

Peak SAR (extrapolated) = 1.07 W/kg

SAR(1 g) = 0.721 mW/g; SAR(10 g) = 0.430 mW/g

Maximum value of SAR (measured) = 0.801 mW/g



0 dB = 0.801mW/g

Additional information:

ambient temperature: 22.2 °C; liquid temperature: 22.1 °C

Date/Time: 25.03.2011 16:36:08 Date/Time: 25.03.2011 16:45:44

IEEE1528_OET65-LeftHandSide-GSM1900 slide opened

DUT: Sony Ericsson; Type: AAD-3880111-BV; Serial: CB5A1CHJXX

Communication System: GSM 1900; Frequency: 1850.2 MHz; Duty Cycle: 1:8

Medium: HSL1900 Medium parameters used: $f = 1850.2 \text{ MHz}$; $\sigma = 1.41 \text{ mho/m}$; $\epsilon_r = 39.6$; $\rho = 1000 \text{ kg/m}^3$

Phantom section: Left Section

DASY4 Configuration:

- Probe: ET3DV6 - SN1558; ConvF(4.76, 4.76, 4.76); Calibrated: 11.08.2010
- Sensor-Surface: 4mm (Mechanical And Optical Surface Detection)
- Electronics: DAE3 Sn413; Calibrated: 13.01.2011
- Phantom: SAM 12; Type: SAM; Serial: 1043
- Measurement SW: DASY4, V4.5 Build 19; Postprocessing SW: SEMCAD, V1.8 Build 146

Touch position - Low/Area Scan (81x91x1): Measurement grid: $dx=15\text{mm}$, $dy=15\text{mm}$

Maximum value of SAR (interpolated) = 1.05 mW/g

Touch position - Low/Zoom Scan (7x7x7) (7x7x7)/Cube 0: Measurement grid:

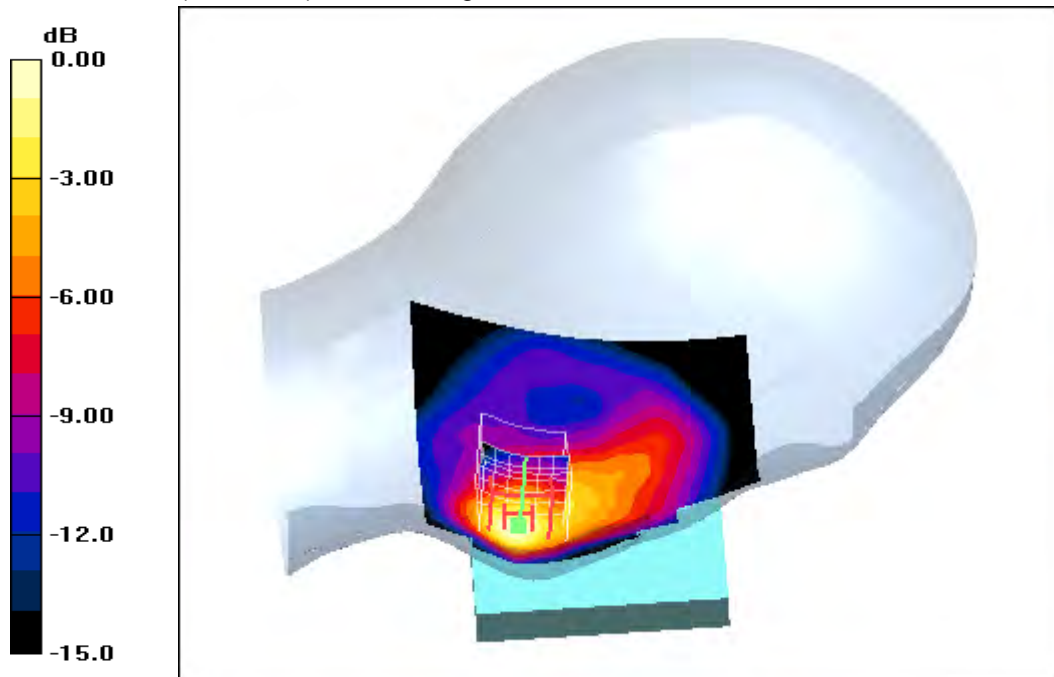
$dx=5\text{mm}$, $dy=5\text{mm}$, $dz=5\text{mm}$

Reference Value = 28.5 V/m; Power Drift = -0.074 dB

Peak SAR (extrapolated) = 1.37 W/kg

SAR(1 g) = 0.926 mW/g; SAR(10 g) = 0.550 mW/g

Maximum value of SAR (measured) = 1.04 mW/g



0 dB = 1.04mW/g

Additional information:

ambient temperature: 22.2 °C; liquid temperature: 22.1 °C

Date/Time: 25.03.2011 17:00:24 Date/Time: 25.03.2011 17:10:01

IEEE1528_OET65-LeftHandSide-GSM1900 slide opened

DUT: Sony Ericsson; Type: AAD-3880111-BV; Serial: CB5A1CHJXX

Communication System: GSM 1900; Frequency: 1880 MHz; Duty Cycle: 1:8

Medium: HSL1900 Medium parameters used: $f = 1880 \text{ MHz}$; $\sigma = 1.41 \text{ mho/m}$; $\epsilon_r = 39.6$; $\rho = 1000 \text{ kg/m}^3$

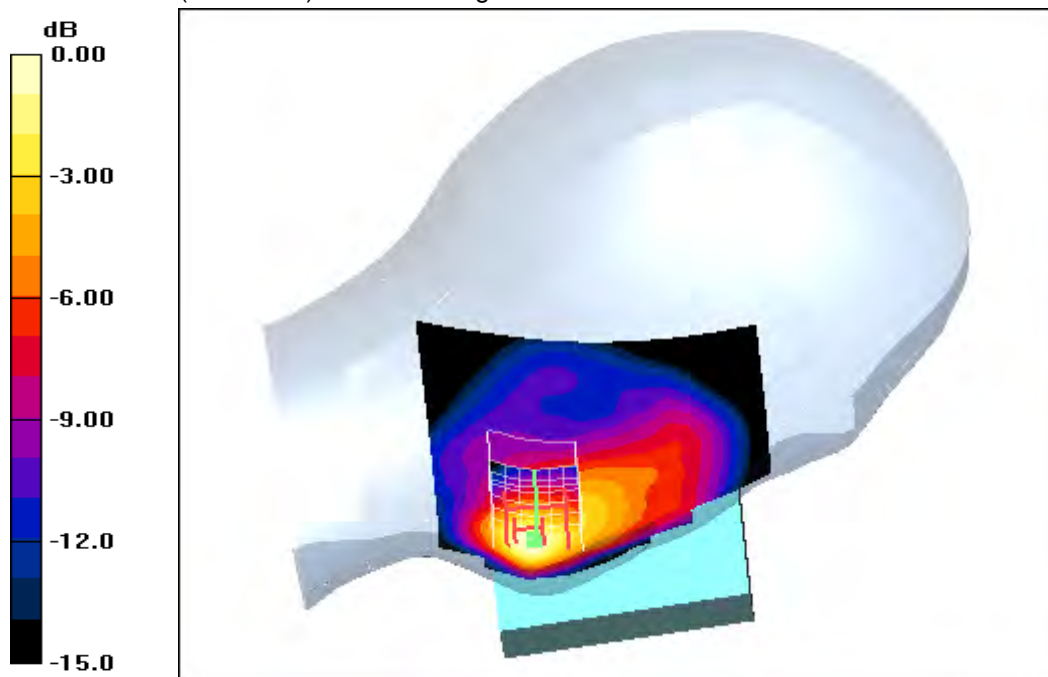
Phantom section: Left Section

DASY4 Configuration:

- Probe: ET3DV6 - SN1558; ConvF(4.76, 4.76, 4.76); Calibrated: 11.08.2010
- Sensor-Surface: 4mm (Mechanical And Optical Surface Detection)
- Electronics: DAE3 Sn413; Calibrated: 13.01.2011
- Phantom: SAM 12; Type: SAM; Serial: 1043
- Measurement SW: DASY4, V4.5 Build 19; Postprocessing SW: SEMCAD, V1.8 Build 146

Touch position - Middle/Area Scan (81x91x1): Measurement grid: $dx=15\text{mm}$, $dy=15\text{mm}$
 Maximum value of SAR (interpolated) = 1.08 mW/g

Touch position - Middle/Zoom Scan (7x7x7) (7x7x7)/Cube 0: Measurement grid:
 $dx=5\text{mm}$, $dy=5\text{mm}$, $dz=5\text{mm}$
 Reference Value = 29.1 V/m; Power Drift = -0.095 dB
 Peak SAR (extrapolated) = 1.35 W/kg
SAR(1 g) = 0.916 mW/g; SAR(10 g) = 0.538 mW/g
 Maximum value of SAR (measured) = 0.998 mW/g



0 dB = 0.998mW/g

Additional information:

ambient temperature: 22.2 °C; liquid temperature: 22.1 °C

Date/Time: 25.03.2011 17:24:46 Date/Time: 25.03.2011 17:34:23

IEEE1528_OET65-LeftHandSide-GSM1900 slide opened

DUT: Sony Ericsson; Type: AAD-3880111-BV; Serial: CB5A1CHJXX

Communication System: GSM 1900; Frequency: 1909.8 MHz; Duty Cycle: 1:8

Medium: HSL1900 Medium parameters used: $f = 1909.8 \text{ MHz}$; $\sigma = 1.41 \text{ mho/m}$; $\epsilon_r = 39.6$; $\rho = 1000 \text{ kg/m}^3$

Phantom section: Left Section

DASY4 Configuration:

- Probe: ET3DV6 - SN1558; ConvF(4.76, 4.76, 4.76); Calibrated: 11.08.2010
- Sensor-Surface: 4mm (Mechanical And Optical Surface Detection)
- Electronics: DAE3 Sn413; Calibrated: 13.01.2011
- Phantom: SAM 12; Type: SAM; Serial: 1043
- Measurement SW: DASY4, V4.5 Build 19; Postprocessing SW: SEMCAD, V1.8 Build 146

Touch position - High/Area Scan (81x91x1): Measurement grid: $dx=15\text{mm}$, $dy=15\text{mm}$

Maximum value of SAR (interpolated) = 0.934 mW/g

Touch position - High/Zoom Scan (7x7x7) (7x7x7)/Cube 0: Measurement grid:

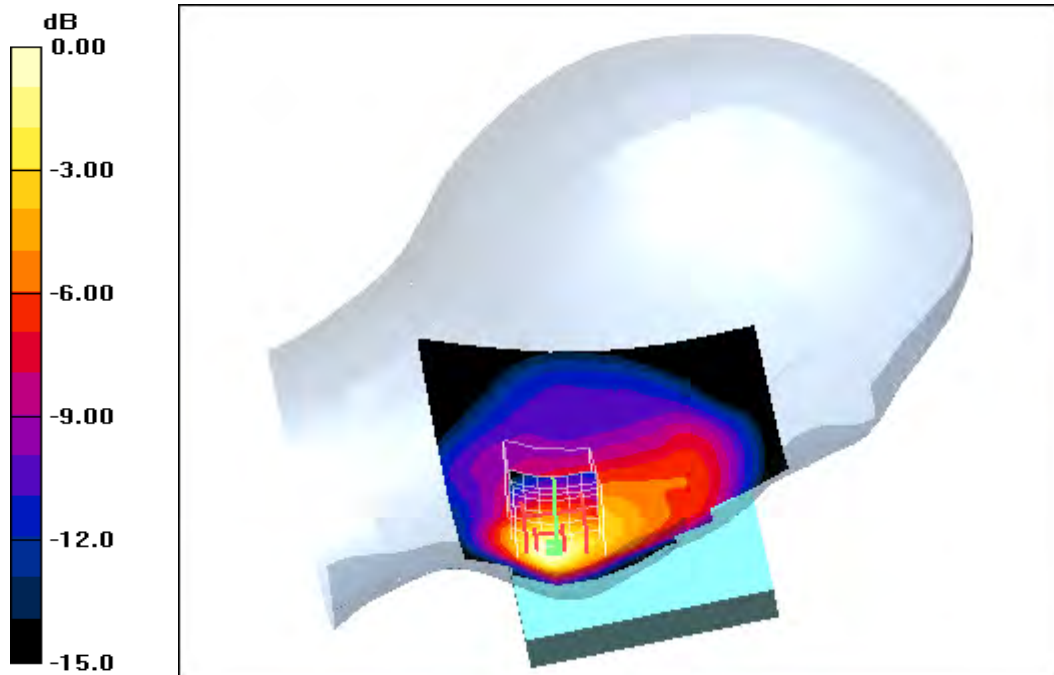
$dx=5\text{mm}$, $dy=5\text{mm}$, $dz=5\text{mm}$

Reference Value = 27.1 V/m; Power Drift = -0.020 dB

Peak SAR (extrapolated) = 1.18 W/kg

SAR(1 g) = 0.785 mW/g; SAR(10 g) = 0.456 mW/g

Maximum value of SAR (measured) = 0.855 mW/g



0 dB = 0.855mW/g

Additional information:

ambient temperature: 22.2 °C; liquid temperature: 22.1 °C

Date/Time: 25.03.2011 15:46:06 Date/Time: 25.03.2011 15:55:50 Date/Time: 25.03.2011 16:07:02

IEEE1528_OET65-LeftHandSide-GSM1900 slide opened

DUT: Sony Ericsson; Type: AAD-3880111-BV; Serial: CB5A1CHJXX

Communication System: GSM 1900; Frequency: 1850.2 MHz; Duty Cycle: 1:8

Medium: HSL1900 Medium parameters used: $f = 1850.2$ MHz; $\sigma = 1.41$ mho/m; $\epsilon_r = 39.6$; $\rho = 1000$ kg/m³

Phantom section: Left Section

DASY4 Configuration:

- Probe: ET3DV6 - SN1558; ConvF(4.76, 4.76, 4.76); Calibrated: 11.08.2010
- Sensor-Surface: 4mm (Mechanical And Optical Surface Detection)
- Electronics: DAE3 Sn413; Calibrated: 13.01.2011
- Phantom: SAM 12; Type: SAM; Serial: 1043
- Measurement SW: DASY4, V4.5 Build 19; Postprocessing SW: SEMCAD, V1.8 Build 146

Tilt position - Low/Area Scan (81x91x1): Measurement grid: dx=15mm, dy=15mm

Maximum value of SAR (interpolated) = 0.224 mW/g

Tilt position - Low/Zoom Scan (7x7x7) (7x7x7)/Cube 0: Measurement grid: dx=5mm,

dy=5mm, dz=5mm

Reference Value = 13.1 V/m; Power Drift = -0.049 dB

Peak SAR (extrapolated) = 0.271 W/kg

SAR(1 g) = 0.198 mW/g; SAR(10 g) = 0.127 mW/g

Maximum value of SAR (measured) = 0.215 mW/g

Tilt position - Low/Zoom Scan (7x7x7) (7x7x7)/Cube 1: Measurement grid: dx=5mm,

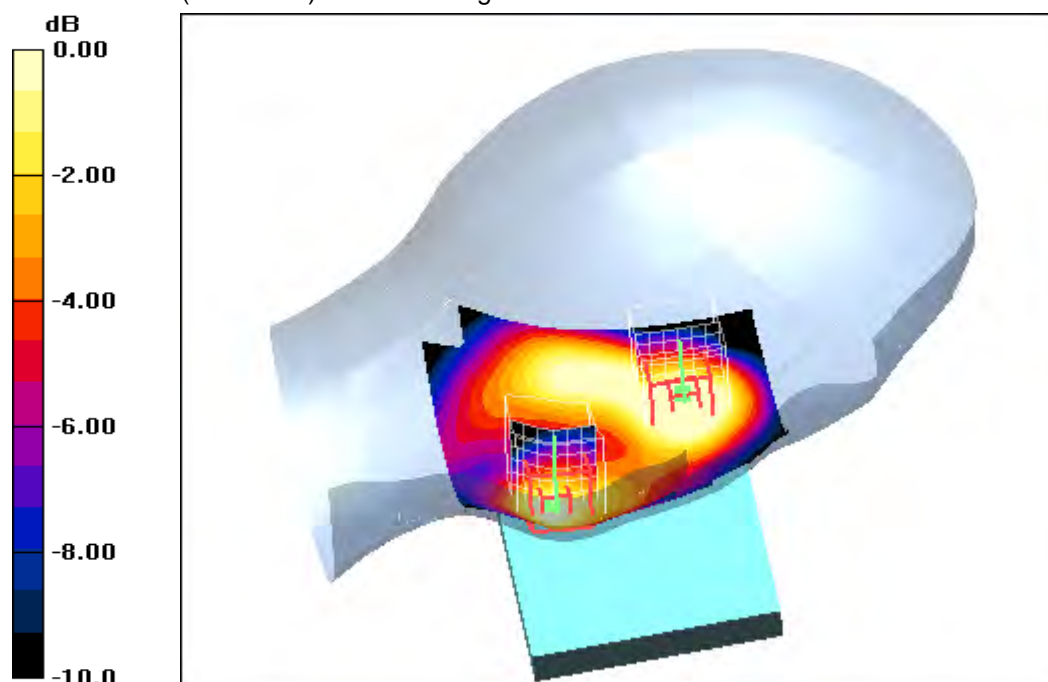
dy=5mm, dz=5mm

Reference Value = 13.1 V/m; Power Drift = -0.049 dB

Peak SAR (extrapolated) = 0.176 W/kg

SAR(1 g) = 0.133 mW/g; SAR(10 g) = 0.089 mW/g

Maximum value of SAR (measured) = 0.142 mW/g



0 dB = 0.142mW/g

Additional information:

ambient temperature: 22.2 °C; liquid temperature: 22.1 °C

Date/Time: 25.03.2011 14:34:47 Date/Time: 25.03.2011 14:44:30 Date/Time: 25.03.2011 14:56:06

IEEE1528_OET65-LeftHandSide-GSM1900 slide opened

DUT: Sony Ericsson; Type: AAD-3880111-BV; Serial: CB5A1CHJXX

Communication System: GSM 1900; Frequency: 1880 MHz; Duty Cycle: 1:8

Medium: HSL1900 Medium parameters used: $f = 1880$ MHz; $\sigma = 1.41$ mho/m; $\epsilon_r = 39.6$; $\rho = 1000$ kg/m³

Phantom section: Left Section

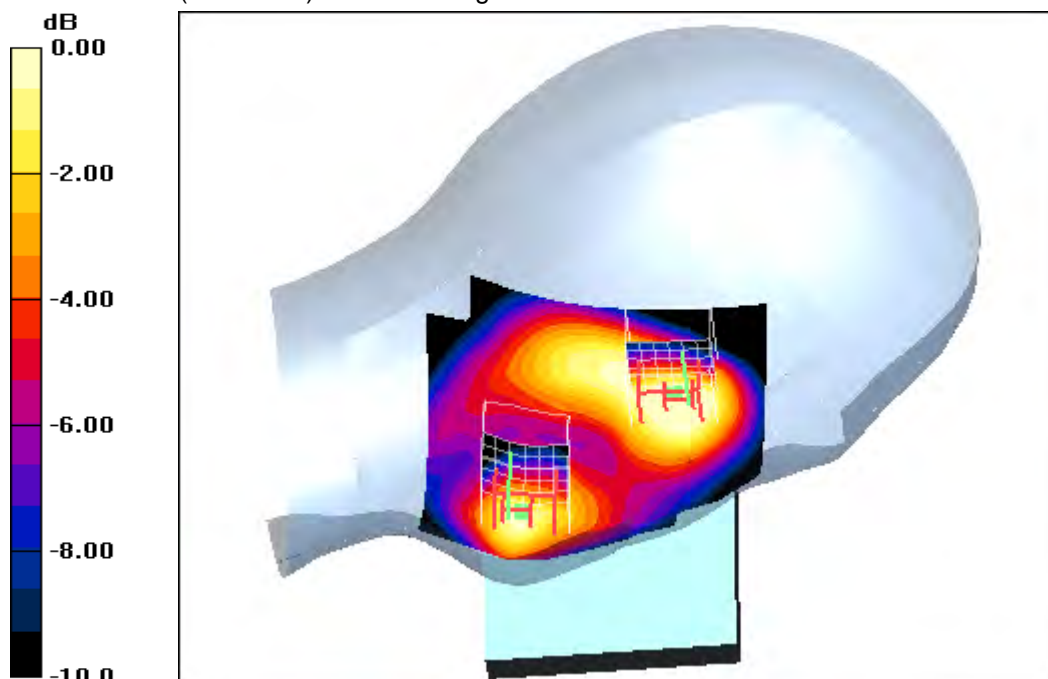
DASY4 Configuration:

- Probe: ET3DV6 - SN1558; ConvF(4.76, 4.76, 4.76); Calibrated: 11.08.2010
- Sensor-Surface: 4mm (Mechanical And Optical Surface Detection)
- Electronics: DAE3 Sn413; Calibrated: 13.01.2011
- Phantom: SAM 12; Type: SAM; Serial: 1043
- Measurement SW: DASY4, V4.5 Build 19; Postprocessing SW: SEMCAD, V1.8 Build 146

Tilt position - Middle/Area Scan (81x91x1): Measurement grid: dx=15mm, dy=15mm
 Maximum value of SAR (interpolated) = 0.203 mW/g

Tilt position - Middle/Zoom Scan (7x7x7) (7x7x7)/Cube 0: Measurement grid:
 dx=5mm, dy=5mm, dz=5mm
 Reference Value = 12.2 V/m; Power Drift = 0.061 dB
 Peak SAR (extrapolated) = 0.262 W/kg
SAR(1 g) = 0.184 mW/g; SAR(10 g) = 0.117 mW/g
 Maximum value of SAR (measured) = 0.202 mW/g

Tilt position - Middle/Zoom Scan (7x7x7) (7x7x7)/Cube 1: Measurement grid:
 dx=5mm, dy=5mm, dz=5mm
 Reference Value = 12.2 V/m; Power Drift = 0.061 dB
 Peak SAR (extrapolated) = 0.193 W/kg
SAR(1 g) = 0.139 mW/g; SAR(10 g) = 0.090 mW/g
 Maximum value of SAR (measured) = 0.154 mW/g



0 dB = 0.154mW/g

Additional information:

ambient temperature: 22.2 °C; liquid temperature: 22.1 °C

Date/Time: 25.03.2011 15:11:48 Date/Time: 25.03.2011 15:21:30 Date/Time: 25.03.2011 15:32:38

IEEE1528_OET65-LeftHandSide-GSM1900 slide opened

DUT: Sony Ericsson; Type: AAD-3880111-BV; Serial: CB5A1CHJXX

Communication System: GSM 1900; Frequency: 1909.8 MHz; Duty Cycle: 1:8

Medium: HSL1900 Medium parameters used: $f = 1909.8 \text{ MHz}$; $\sigma = 1.41 \text{ mho/m}$; $\epsilon_r = 39.6$; $\rho = 1000 \text{ kg/m}^3$

Phantom section: Left Section

DASY4 Configuration:

- Probe: ET3DV6 - SN1558; ConvF(4.76, 4.76, 4.76); Calibrated: 11.08.2010
- Sensor-Surface: 4mm (Mechanical And Optical Surface Detection)
- Electronics: DAE3 Sn413; Calibrated: 13.01.2011
- Phantom: SAM 12; Type: SAM; Serial: 1043
- Measurement SW: DASY4, V4.5 Build 19; Postprocessing SW: SEMCAD, V1.8 Build 146

Tilt position - High/Area Scan (81x91x1): Measurement grid: $dx=15\text{mm}$, $dy=15\text{mm}$

Maximum value of SAR (interpolated) = 0.190 mW/g

Tilt position - High/Zoom Scan (7x7x7) (7x7x7)/Cube 0: Measurement grid: $dx=5\text{mm}$,

$dy=5\text{mm}$, $dz=5\text{mm}$

Reference Value = 11.7 V/m; Power Drift = -0.088 dB

Peak SAR (extrapolated) = 0.221 W/kg

SAR(1 g) = 0.159 mW/g; SAR(10 g) = 0.103 mW/g

Maximum value of SAR (measured) = 0.170 mW/g

Tilt position - High/Zoom Scan (7x7x7) (7x7x7)/Cube 1: Measurement grid: $dx=5\text{mm}$,

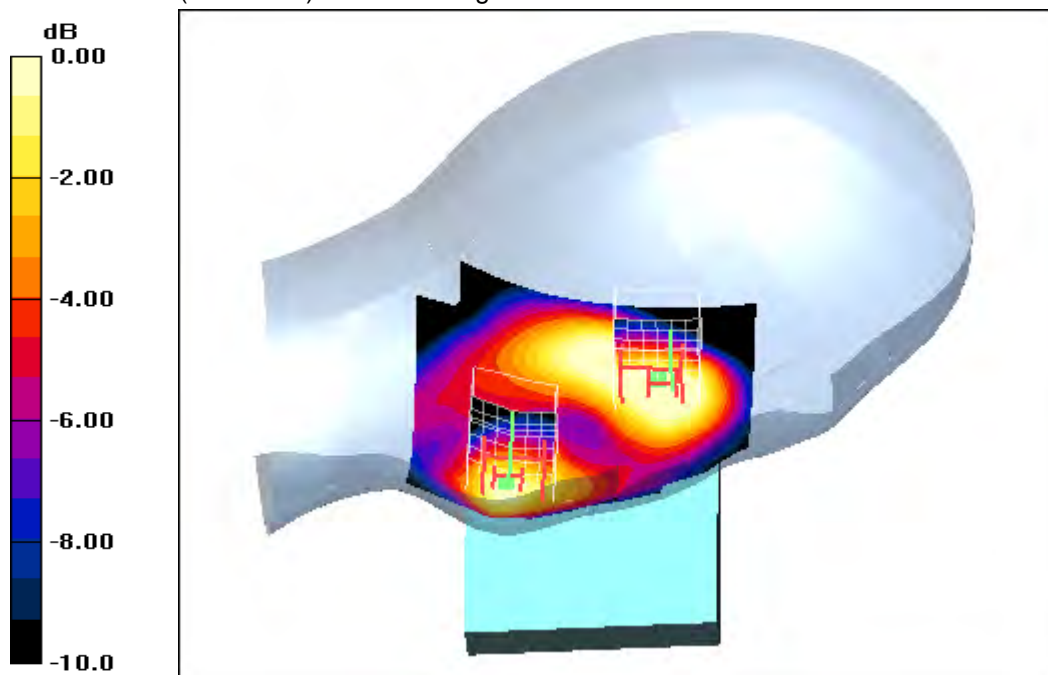
$dy=5\text{mm}$, $dz=5\text{mm}$

Reference Value = 11.7 V/m; Power Drift = -0.088 dB

Peak SAR (extrapolated) = 0.167 W/kg

SAR(1 g) = 0.123 mW/g; SAR(10 g) = 0.080 mW/g

Maximum value of SAR (measured) = 0.134 mW/g



0 dB = 0.134mW/g

Additional information:

ambient temperature: 22.2 °C; liquid temperature: 22.1 °C

Date/Time: 26.03.2011 13:24:49 Date/Time: 26.03.2011 13:31:02 Date/Time: 26.03.2011 13:42:53

IEEE1528_OET65-RightHandSide-GSM1900

DUT: Sony Ericsson; Type: AAD-3880111-BV; Serial: CB5A1CHJXX

Communication System: GSM 1900; Frequency: 1850.2 MHz; Duty Cycle: 1:8

Medium: HSL1900 Medium parameters used: $f = 1850.2 \text{ MHz}$; $\sigma = 1.41 \text{ mho/m}$; $\epsilon_r = 39.6$; $\rho = 1000 \text{ kg/m}^3$

Phantom section: Right Section

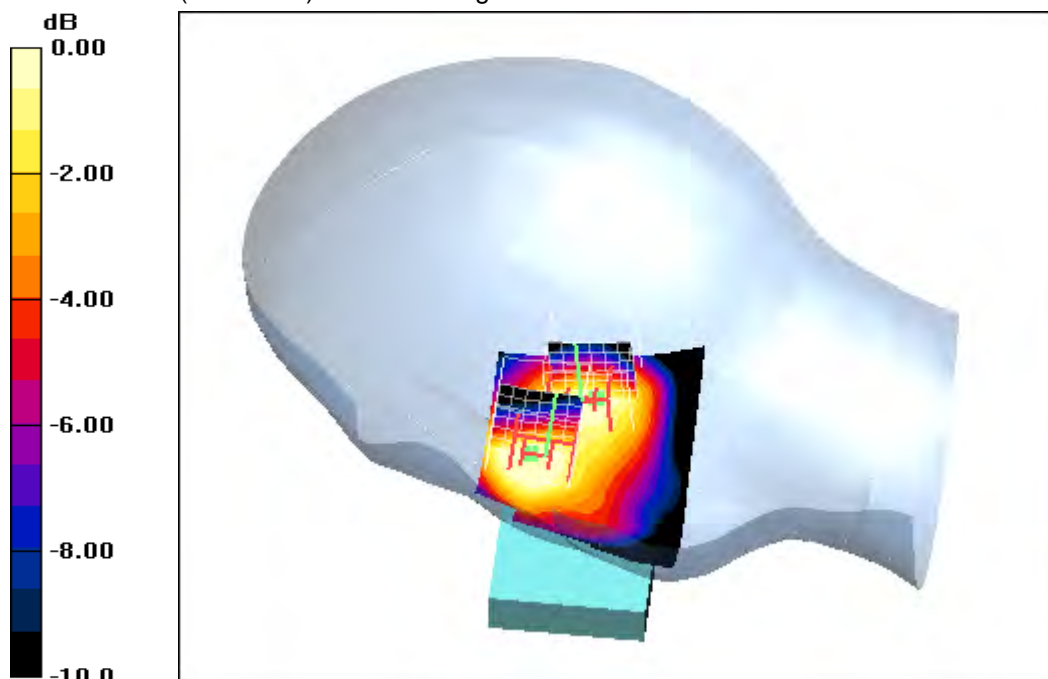
DASY4 Configuration:

- Probe: ET3DV6 - SN1558; ConvF(4.76, 4.76, 4.76); Calibrated: 11.08.2010
- Sensor-Surface: 4mm (Mechanical And Optical Surface Detection)
- Electronics: DAE3 Sn413; Calibrated: 13.01.2011
- Phantom: SAM 12; Type: SAM; Serial: 1043
- Measurement SW: DASY4, V4.5 Build 19; Postprocessing SW: SEMCAD, V1.8 Build 146

Touch position - Low/Area Scan (51x91x1): Measurement grid: $dx=15\text{mm}$, $dy=15\text{mm}$
 Maximum value of SAR (interpolated) = 0.559 mW/g

Touch position - Low/Zoom Scan (7x7x7) (7x7x7)/Cube 0: Measurement grid:
 $dx=5\text{mm}$, $dy=5\text{mm}$, $dz=5\text{mm}$
 Reference Value = 19.6 V/m; Power Drift = 0.141 dB
 Peak SAR (extrapolated) = 0.743 W/kg
SAR(1 g) = 0.466 mW/g; SAR(10 g) = 0.281 mW/g
 Maximum value of SAR (measured) = 0.507 mW/g

Touch position - Low/Zoom Scan (7x7x7) (7x7x7)/Cube 1: Measurement grid:
 $dx=5\text{mm}$, $dy=5\text{mm}$, $dz=5\text{mm}$
 Reference Value = 19.6 V/m; Power Drift = 0.141 dB
 Peak SAR (extrapolated) = 0.464 W/kg
SAR(1 g) = 0.375 mW/g; SAR(10 g) = 0.261 mW/g
 Maximum value of SAR (measured) = 0.405 mW/g



0 dB = 0.405mW/g

Additional information:

ambient temperature: 21.3 °C; liquid temperature: 21.0 °C

Date/Time: 26.03.2011 14:04:24 Date/Time: 26.03.2011 14:10:36 Date/Time: 26.03.2011 14:22:24

IEEE1528_OET65-RightHandSide-GSM1900

DUT: Sony Ericsson; Type: AAD-3880111-BV; Serial: CB5A1CHJXX

Communication System: GSM 1900; Frequency: 1880 MHz; Duty Cycle: 1:8

Medium: HSL1900 Medium parameters used: $f = 1880$ MHz; $\sigma = 1.41$ mho/m; $\epsilon_r = 39.6$; $\rho = 1000$ kg/m³

Phantom section: Right Section

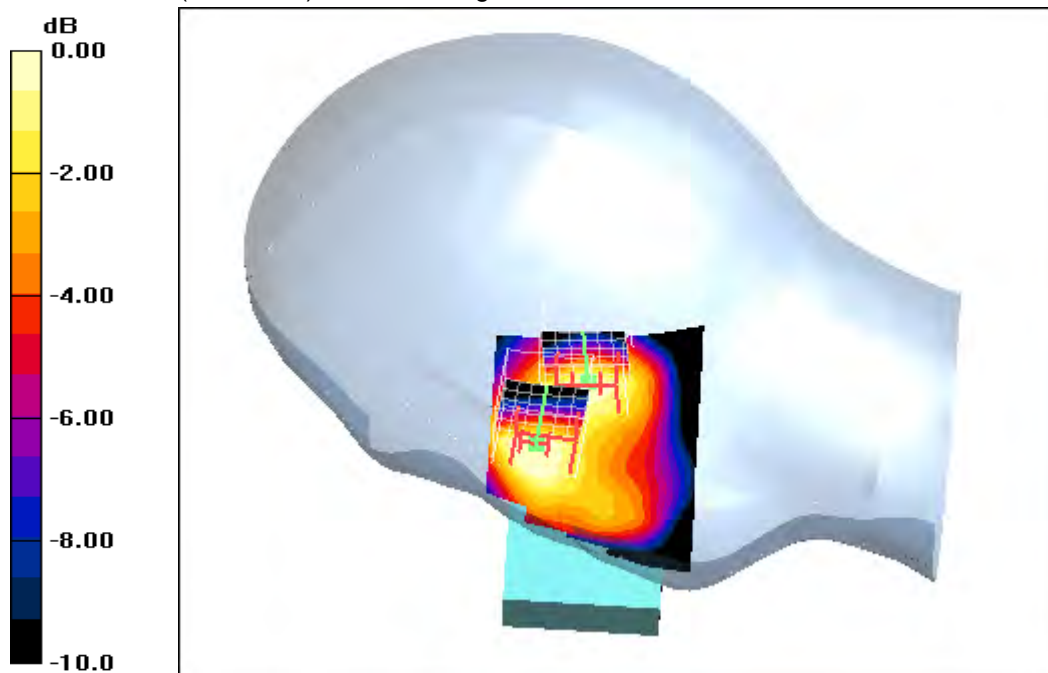
DASY4 Configuration:

- Probe: ET3DV6 - SN1558; ConvF(4.76, 4.76, 4.76); Calibrated: 11.08.2010
- Sensor-Surface: 4mm (Mechanical And Optical Surface Detection)
- Electronics: DAE3 Sn413; Calibrated: 13.01.2011
- Phantom: SAM 12; Type: SAM; Serial: 1043
- Measurement SW: DASY4, V4.5 Build 19; Postprocessing SW: SEMCAD, V1.8 Build 146

Touch position - Middle/Area Scan (51x91x1): Measurement grid: dx=15mm, dy=15mm
Maximum value of SAR (interpolated) = 0.490 mW/g

Touch position - Middle/Zoom Scan (7x7x7) (7x7x7)/Cube 0: Measurement grid:
dx=5mm, dy=5mm, dz=5mm
Reference Value = 19.5 V/m; Power Drift = 0.121 dB
Peak SAR (extrapolated) = 0.748 W/kg
SAR(1 g) = 0.449 mW/g; SAR(10 g) = 0.263 mW/g
Maximum value of SAR (measured) = 0.493 mW/g

Touch position - Middle/Zoom Scan (7x7x7) (7x7x7)/Cube 1: Measurement grid:
dx=5mm, dy=5mm, dz=5mm
Reference Value = 19.5 V/m; Power Drift = 0.121 dB
Peak SAR (extrapolated) = 0.467 W/kg
SAR(1 g) = 0.376 mW/g; SAR(10 g) = 0.255 mW/g
Maximum value of SAR (measured) = 0.403 mW/g



0 dB = 0.403mW/g

Additional information:

ambient temperature: 21.3 °C; liquid temperature: 21.0 °C

Date/Time: 26.03.2011 14:36:15 Date/Time: 26.03.2011 14:42:26 Date/Time: 26.03.2011

IEEE1528_OET65-RightHandSide-GSM1900

DUT: Sony Ericsson; Type: AAD-3880111-BV; Serial: CB5A1CHJXX

Communication System: GSM 1900; Frequency: 1909.8 MHz; Duty Cycle: 1:8

Medium: HSL1900 Medium parameters used: $f = 1909.8 \text{ MHz}$; $\sigma = 1.41 \text{ mho/m}$; $\epsilon_r = 39.6$; $\rho = 1000 \text{ kg/m}^3$

Phantom section: Right Section

DASY4 Configuration:

- Probe: ET3DV6 - SN1558; ConvF(4.76, 4.76, 4.76); Calibrated: 11.08.2010
- Sensor-Surface: 4mm (Mechanical And Optical Surface Detection)
- Electronics: DAE3 Sn413; Calibrated: 13.01.2011
- Phantom: SAM 12; Type: SAM; Serial: 1043
- Measurement SW: DASY4, V4.5 Build 19; Postprocessing SW: SEMCAD, V1.8 Build 146

Touch position - High/Area Scan (51x91x1): Measurement grid: $dx=15\text{mm}$, $dy=15\text{mm}$

Maximum value of SAR (interpolated) = 0.406 mW/g

Touch position - High/Zoom Scan (7x7x7) (7x7x7)/Cube 0: Measurement grid:

$dx=5\text{mm}$, $dy=5\text{mm}$, $dz=5\text{mm}$

Reference Value = 17.9 V/m; Power Drift = -0.110 dB

Peak SAR (extrapolated) = 0.612 W/kg

SAR(1 g) = 0.373 mW/g; SAR(10 g) = 0.216 mW/g

Maximum value of SAR (measured) = 0.410 mW/g

Touch position - High/Zoom Scan (7x7x7) (7x7x7)/Cube 1: Measurement grid:

$dx=5\text{mm}$, $dy=5\text{mm}$, $dz=5\text{mm}$

Reference Value = 17.9 V/m; Power Drift = -0.110 dB

Peak SAR (extrapolated) = 0.386 W/kg

SAR(1 g) = 0.305 mW/g; SAR(10 g) = 0.204 mW/g

Maximum value of SAR (measured) = 0.330 mW/g

Touch position - High/Zoom Scan (7x7x7) (7x7x7)/Cube 2: Measurement grid:

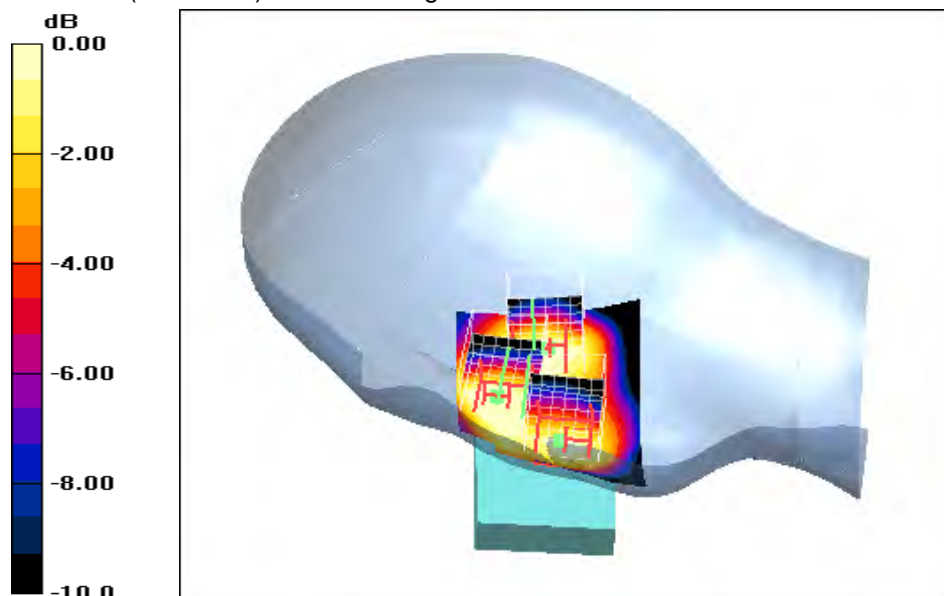
$dx=5\text{mm}$, $dy=5\text{mm}$, $dz=5\text{mm}$

Reference Value = 17.9 V/m; Power Drift = -0.110 dB

Peak SAR (extrapolated) = 0.338 W/kg

SAR(1 g) = 0.249 mW/g; SAR(10 g) = 0.160 mW/g

Maximum value of SAR (measured) = 0.280 mW/g



0 dB = 0.280mW/g

Additional information:

ambient temperature: 21.3 °C; liquid temperature: 21.0 °C

Date/Time: 26.03.2011 15:59:44 Date/Time: 26.03.2011 16:06:13

IEEE1528_OET65-RightHandSide-GSM1900

DUT: Sony Ericsson; Type: AAD-3880111-BV; Serial: CB5A1CHJXX

Communication System: GSM 1900; Frequency: 1850.2 MHz; Duty Cycle: 1:8

Medium: HSL1900 Medium parameters used: $f = 1850.2 \text{ MHz}$; $\sigma = 1.41 \text{ mho/m}$; $\epsilon_r = 39.6$; $\rho = 1000 \text{ kg/m}^3$

Phantom section: Right Section

DASY4 Configuration:

- Probe: ET3DV6 - SN1558; ConvF(4.76, 4.76, 4.76); Calibrated: 11.08.2010
- Sensor-Surface: 4mm (Mechanical And Optical Surface Detection)
- Electronics: DAE3 Sn413; Calibrated: 13.01.2011
- Phantom: SAM 12; Type: SAM; Serial: 1043
- Measurement SW: DASY4, V4.5 Build 19; Postprocessing SW: SEMCAD, V1.8 Build 146

Tilt position - Low/Area Scan (51x91x1): Measurement grid: $dx=15\text{mm}$, $dy=15\text{mm}$

Maximum value of SAR (interpolated) = 0.979 mW/g

Tilt position - Low/Zoom Scan (7x7x7) (7x7x7)/Cube 0: Measurement grid: $dx=5\text{mm}$,

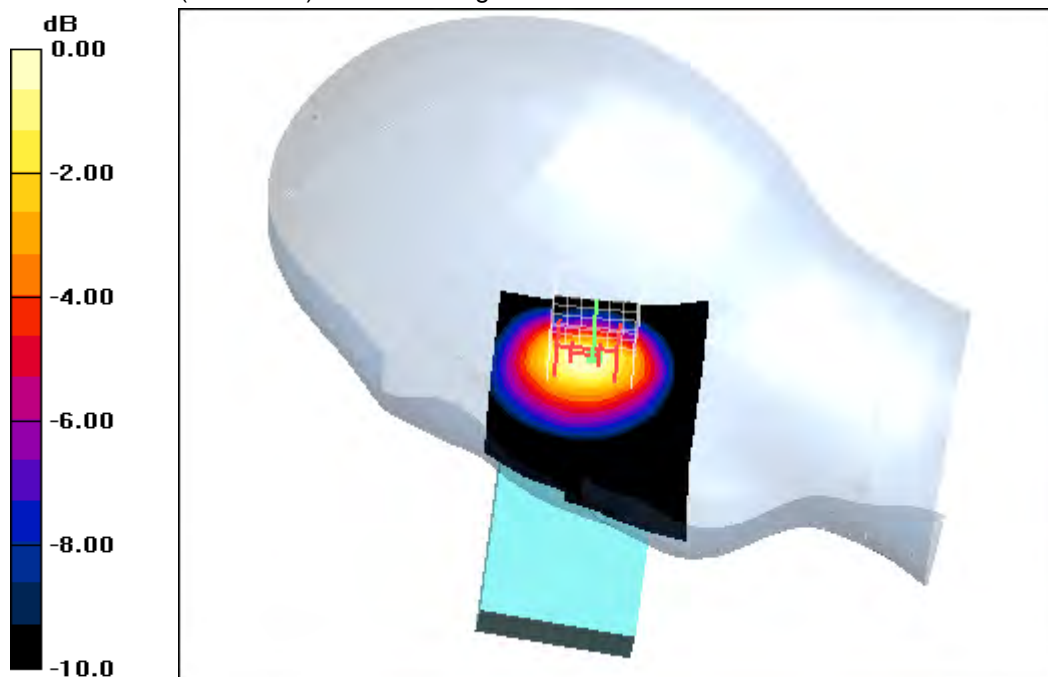
$dy=5\text{mm}$, $dz=5\text{mm}$

Reference Value = 26.2 V/m; Power Drift = 0.00 dB

Peak SAR (extrapolated) = 1.21 W/kg

SAR(1 g) = 0.867 mW/g; SAR(10 g) = 0.524 mW/g

Maximum value of SAR (measured) = 0.955 mW/g



0 dB = 0.955mW/g

Additional information:

ambient temperature: 21.3 °C; liquid temperature: 21.0 °C

Date/Time: 26.03.2011 15:40:06 Date/Time: 26.03.2011 15:46:34

IEEE1528_OET65-RightHandSide-GSM1900

DUT: Sony Ericsson; Type: AAD-3880111-BV; Serial: CB5A1CHJXX

Communication System: GSM 1900; Frequency: 1880 MHz; Duty Cycle: 1:8

Medium: HSL1900 Medium parameters used: $f = 1880$ MHz; $\sigma = 1.41$ mho/m; $\epsilon_r = 39.6$; $\rho = 1000$ kg/m³

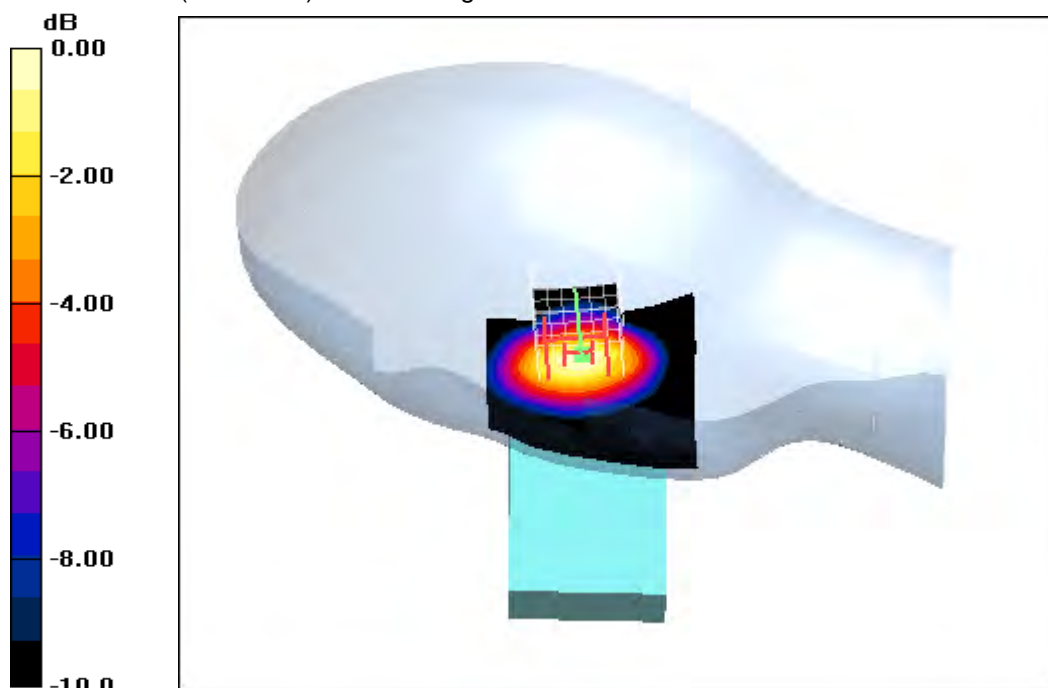
Phantom section: Right Section

DASY4 Configuration:

- Probe: ET3DV6 - SN1558; ConvF(4.76, 4.76, 4.76); Calibrated: 11.08.2010
- Sensor-Surface: 4mm (Mechanical And Optical Surface Detection)
- Electronics: DAE3 Sn413; Calibrated: 13.01.2011
- Phantom: SAM 12; Type: SAM; Serial: 1043
- Measurement SW: DASY4, V4.5 Build 19; Postprocessing SW: SEMCAD, V1.8 Build 146

Tilt position - Middle/Area Scan (51x91x1): Measurement grid: dx=15mm, dy=15mm
 Maximum value of SAR (interpolated) = 1.02 mW/g

Tilt position - Middle/Zoom Scan (7x7x7) (7x7x7)/Cube 0: Measurement grid:
 dx=5mm, dy=5mm, dz=5mm
 Reference Value = 26.6 V/m; Power Drift = -0.068 dB
 Peak SAR (extrapolated) = 1.29 W/kg
SAR(1 g) = 0.899 mW/g; SAR(10 g) = 0.536 mW/g
 Maximum value of SAR (measured) = 1.00 mW/g



0 dB = 1.00mW/g

Additional information:

ambient temperature: 21.3 °C; liquid temperature: 21.0 °C

Date/Time: 26.03.2011 15:20:39 Date/Time: 26.03.2011 15:27:07

IEEE1528_OET65-RightHandSide-GSM1900

DUT: Sony Ericsson; Type: AAD-3880111-BV; Serial: CB5A1CHJXX

Communication System: GSM 1900; Frequency: 1909.8 MHz; Duty Cycle: 1:8

Medium: HSL1900 Medium parameters used: $f = 1909.8 \text{ MHz}$; $\sigma = 1.41 \text{ mho/m}$; $\epsilon_r = 39.6$; $\rho = 1000 \text{ kg/m}^3$

Phantom section: Right Section

DASY4 Configuration:

- Probe: ET3DV6 - SN1558; ConvF(4.76, 4.76, 4.76); Calibrated: 11.08.2010
- Sensor-Surface: 4mm (Mechanical And Optical Surface Detection)
- Electronics: DAE3 Sn413; Calibrated: 13.01.2011
- Phantom: SAM 12; Type: SAM; Serial: 1043
- Measurement SW: DASY4, V4.5 Build 19; Postprocessing SW: SEMCAD, V1.8 Build 146

Tilt position - High/Area Scan (51x91x1): Measurement grid: dx=15mm, dy=15mm

Maximum value of SAR (interpolated) = 0.893 mW/g

Tilt position - High/Zoom Scan (7x7x7) (7x7x7)/Cube 0: Measurement grid: dx=5mm,

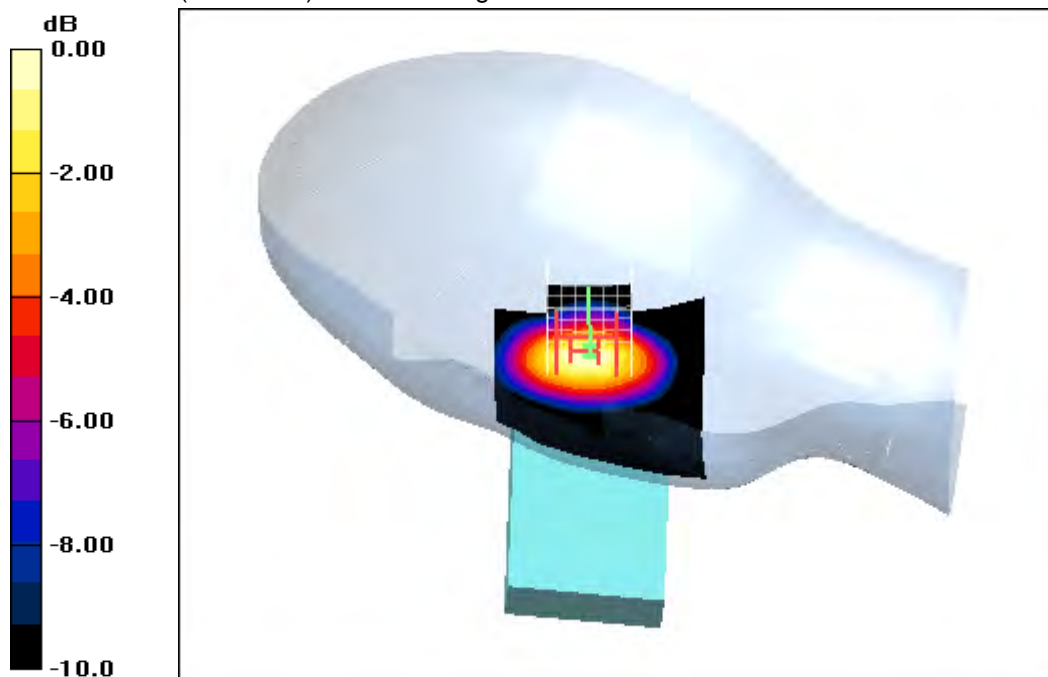
dy=5mm, dz=5mm

Reference Value = 24.7 V/m; Power Drift = -0.020 dB

Peak SAR (extrapolated) = 1.14 W/kg

SAR(1 g) = 0.787 mW/g; SAR(10 g) = 0.465 mW/g

Maximum value of SAR (measured) = 0.865 mW/g



0 dB = 0.865mW/g

Additional information:

ambient temperature: 21.3 °C; liquid temperature: 21.0 °C

Date/Time: 26.03.2011 16:23:14 Date/Time: 26.03.2011 16:32:14 Date/Time: 26.03.2011

IEEE1528_OET65-RightHandSide-GSM1900 slide opened**DUT: Sony Ericsson; Type: AAD-3880111-BV; Serial: CB5A1CHJXX**

Communication System: GSM 1900; Frequency: 1850.2 MHz; Duty Cycle: 1:8

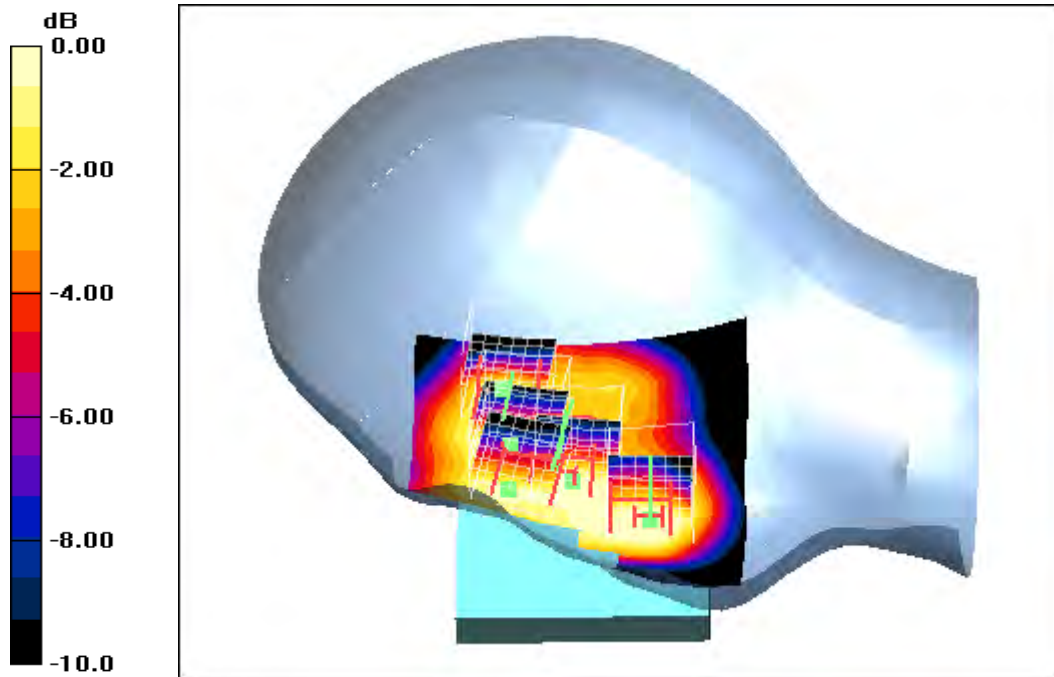
Medium: HSL1900 Medium parameters used: $f = 1850.2$ MHz; $\sigma = 1.41$ mho/m; $\epsilon_r = 39.6$; $\rho = 1000$ kg/m³

Phantom section: Right Section

DASY4 Configuration:

- Probe: ET3DV6 - SN1558; ConvF(4.76, 4.76, 4.76); Calibrated: 11.08.2010
- Sensor-Surface: 4mm (Mechanical And Optical Surface Detection)
- Electronics: DAE3 Sn413; Calibrated: 13.01.2011
- Phantom: SAM 12; Type: SAM; Serial: 1043
- Measurement SW: DASY4, V4.5 Build 19; Postprocessing SW: SEMCAD, V1.8 Build 146

Touch position - Low/Area Scan (81x91x1): Measurement grid: dx=15mm, dy=15mm
Maximum value of SAR (interpolated) = 0.271 mW/g**Touch position - Low/Zoom Scan (7x7x7) (7x7x7)/Cube 0:** Measurement grid:
dx=5mm, dy=5mm, dz=5mm
Reference Value = 14.0 V/m; Power Drift = -0.043 dB
Peak SAR (extrapolated) = 0.306 W/kg
SAR(1 g) = 0.241 mW/g; SAR(10 g) = 0.164 mW/g
Maximum value of SAR (measured) = 0.261 mW/g**Touch position - Low/Zoom Scan (7x7x7) (7x7x7)/Cube 1:** Measurement grid:
dx=5mm, dy=5mm, dz=5mm
Reference Value = 14.0 V/m; Power Drift = -0.043 dB
Peak SAR (extrapolated) = 0.294 W/kg
SAR(1 g) = 0.213 mW/g; SAR(10 g) = 0.145 mW/g
Maximum value of SAR (measured) = 0.228 mW/g**Touch position - Low/Zoom Scan (7x7x7) (7x7x7)/Cube 2:** Measurement grid:
dx=5mm, dy=5mm, dz=5mm
Reference Value = 14.0 V/m; Power Drift = -0.043 dB
Peak SAR (extrapolated) = 0.289 W/kg
SAR(1 g) = 0.204 mW/g; SAR(10 g) = 0.139 mW/g
Maximum value of SAR (measured) = 0.225 mW/g**Touch position - Low/Zoom Scan (7x7x7) (7x7x7)/Cube 3:** Measurement grid:
dx=5mm, dy=5mm, dz=5mm
Reference Value = 14.0 V/m; Power Drift = -0.043 dB
Peak SAR (extrapolated) = 0.277 W/kg
SAR(1 g) = 0.193 mW/g; SAR(10 g) = 0.121 mW/g
Maximum value of SAR (measured) = 0.213 mW/g**Touch position - Low/Zoom Scan (7x7x7) (7x7x7)/Cube 4:** Measurement grid:
dx=5mm, dy=5mm, dz=5mm
Reference Value = 14.0 V/m; Power Drift = -0.043 dB
Peak SAR (extrapolated) = 0.284 W/kg
SAR(1 g) = 0.199 mW/g; SAR(10 g) = 0.132 mW/g
Maximum value of SAR (measured) = 0.222 mW/g



0 dB = 0.222mW/g

Additional information:

ambient temperature: 22.8 °C; liquid temperature: 21.3 °C

Date/Time: 26.03.2011 17:39:52 Date/Time: 26.03.2011 17:48:56 Date/Time: 26.03.2011

IEEE1528_OET65-RightHandSide-GSM1900 slide opened**DUT: Sony Ericsson; Type: AAD-3880111-BV; Serial: CB5A1CHJXX**

Communication System: GSM 1900; Frequency: 1880 MHz; Duty Cycle: 1:8

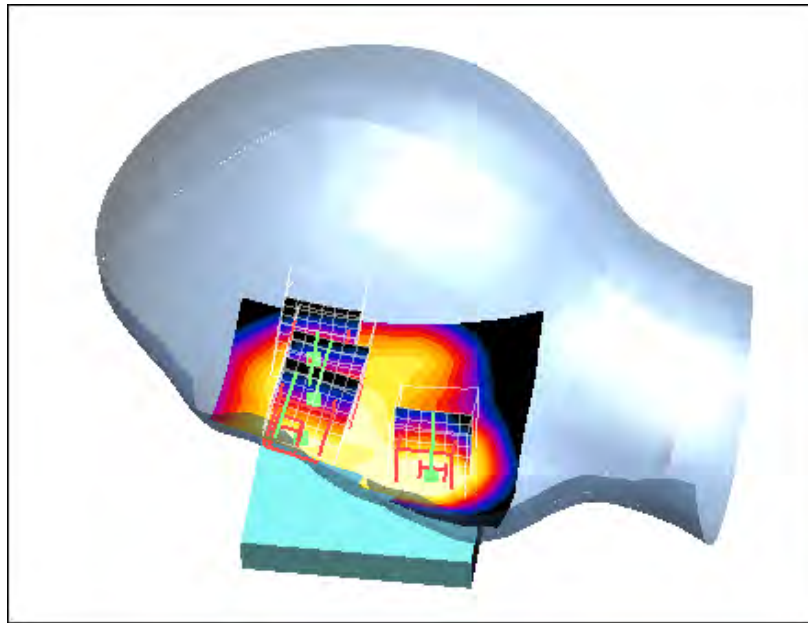
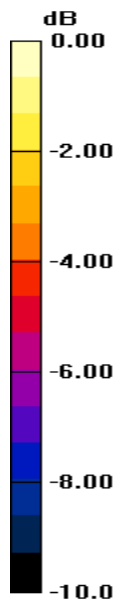
Medium: HSL1900 Medium parameters used: $f = 1880$ MHz; $\sigma = 1.41$ mho/m; $\epsilon_r = 39.6$; $\rho = 1000$ kg/m³

Phantom section: Right Section

DASY4 Configuration:

- Probe: ET3DV6 - SN1558; ConvF(4.76, 4.76, 4.76); Calibrated: 11.08.2010
- Sensor-Surface: 4mm (Mechanical And Optical Surface Detection)
- Electronics: DAE3 Sn413; Calibrated: 13.01.2011
- Phantom: SAM 12; Type: SAM; Serial: 1043
- Measurement SW: DASY4, V4.5 Build 19; Postprocessing SW: SEMCAD, V1.8 Build 146

Touch position - Middle/Area Scan (81x91x1): Measurement grid: dx=15mm, dy=15mm
Maximum value of SAR (interpolated) = 0.312 mW/g**Touch position - Middle/Zoom Scan (7x7x7) (7x7x7)/Cube 0:** Measurement grid:
dx=5mm, dy=5mm, dz=5mm
Reference Value = 15.0 V/m; Power Drift = -0.135 dB
Peak SAR (extrapolated) = 0.349 W/kg
SAR(1 g) = 0.272 mW/g; SAR(10 g) = 0.180 mW/g
Maximum value of SAR (measured) = 0.297 mW/g**Touch position - Middle/Zoom Scan (7x7x7) (7x7x7)/Cube 1:** Measurement grid:
dx=5mm, dy=5mm, dz=5mm
Reference Value = 15.0 V/m; Power Drift = -0.135 dB
Peak SAR (extrapolated) = 0.291 W/kg
SAR(1 g) = 0.206 mW/g; SAR(10 g) = 0.140 mW/g
Maximum value of SAR (measured) = 0.221 mW/g**Touch position - Middle/Zoom Scan (7x7x7) (7x7x7)/Cube 2:** Measurement grid:
dx=5mm, dy=5mm, dz=5mm
Reference Value = 15.0 V/m; Power Drift = -0.135 dB
Peak SAR (extrapolated) = 0.302 W/kg
SAR(1 g) = 0.198 mW/g; SAR(10 g) = 0.126 mW/g
Maximum value of SAR (measured) = 0.215 mW/g**Touch position - Middle/Zoom Scan (7x7x7) (7x7x7)/Cube 3:** Measurement grid:
dx=5mm, dy=5mm, dz=5mm
Reference Value = 15.0 V/m; Power Drift = -0.135 dB
Peak SAR (extrapolated) = 0.284 W/kg
SAR(1 g) = 0.198 mW/g; SAR(10 g) = 0.123 mW/g
Maximum value of SAR (measured) = 0.220 mW/g



0 dB = 0.220mW/g

Additional information:

ambient temperature: 22.8 °C; liquid temperature: 21.3 °C

Date/Time: 26.03.2011 18:39:36 Date/Time: 26.03.2011 18:48:44 Date/Time: 26.03.2011 19:00:39

IEEE1528_OET65-RightHandSide-GSM1900 slide opened

DUT: Sony Ericsson; Type: AAD-3880111-BV; Serial: CB5A1CHJXX

Communication System: GSM 1900; Frequency: 1909.8 MHz; Duty Cycle: 1:8

Medium: HSL1900 Medium parameters used: $f = 1909.8 \text{ MHz}$; $\sigma = 1.41 \text{ mho/m}$; $\epsilon_r = 39.6$; $\rho = 1000 \text{ kg/m}^3$

Phantom section: Right Section

DASY4 Configuration:

- Probe: ET3DV6 - SN1558; ConvF(4.76, 4.76, 4.76); Calibrated: 11.08.2010
- Sensor-Surface: 4mm (Mechanical And Optical Surface Detection)
- Electronics: DAE3 Sn413; Calibrated: 13.01.2011
- Phantom: SAM 12; Type: SAM; Serial: 1043
- Measurement SW: DASY4, V4.5 Build 19; Postprocessing SW: SEMCAD, V1.8 Build 146

Touch position - High/Area Scan (81x91x1): Measurement grid: $dx=15\text{mm}$, $dy=15\text{mm}$
 Maximum value of SAR (interpolated) = 0.285 mW/g

Touch position - High/Zoom Scan (7x7x7) (7x7x7)/Cube 0: Measurement grid:
 $dx=5\text{mm}$, $dy=5\text{mm}$, $dz=5\text{mm}$
 Reference Value = 14.4 V/m; Power Drift = -0.069 dB
 Peak SAR (extrapolated) = 0.341 W/kg

SAR(1 g) = 0.245 mW/g; SAR(10 g) = 0.160 mW/g

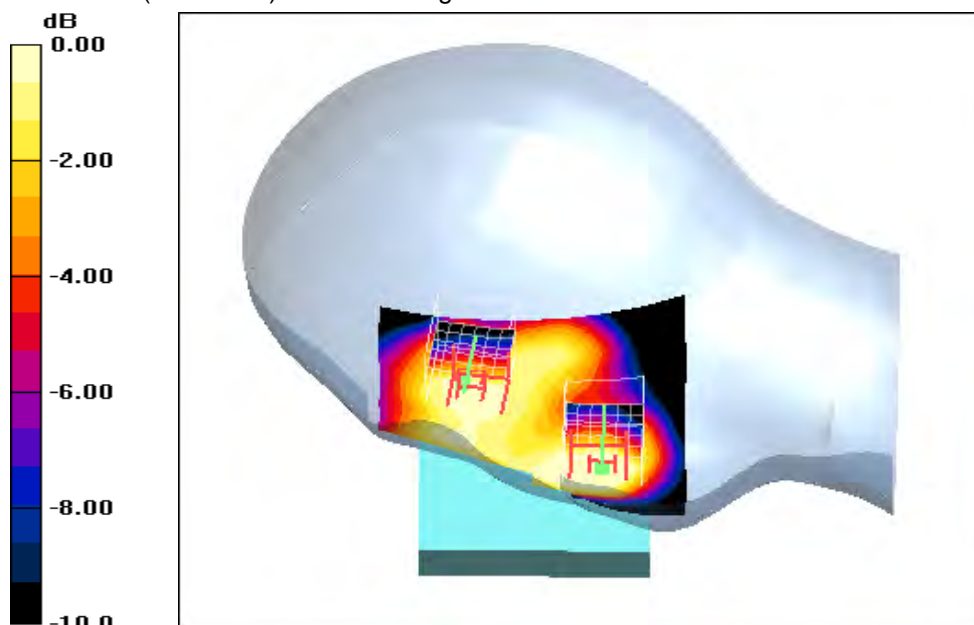
Maximum value of SAR (measured) = 0.268 mW/g

Touch position - High/Zoom Scan (7x7x7) (7x7x7)/Cube 1: Measurement grid:

$dx=5\text{mm}$, $dy=5\text{mm}$, $dz=5\text{mm}$
 Reference Value = 14.4 V/m; Power Drift = -0.069 dB
 Peak SAR (extrapolated) = 0.251 W/kg

SAR(1 g) = 0.175 mW/g; SAR(10 g) = 0.116 mW/g

Maximum value of SAR (measured) = 0.188 mW/g



0 dB = 0.188mW/g

Additional information:

ambient temperature: 22.8 °C; liquid temperature: 21.3 °C

Date/Time: 27.03.2011 16:05:27 Date/Time: 27.03.2011 16:14:31

IEEE1528_OET65-RightHandSide-GSM1900 slide opened

DUT: Sony Ericsson; Type: AAD-3880111-BV; Serial: CB5A1CHJXX

Communication System: GSM 1900; Frequency: 1850.2 MHz; Duty Cycle: 1:8

Medium: HSL1900 Medium parameters used: $f = 1850.2$ MHz; $\sigma = 1.41$ mho/m; $\epsilon_r = 39.6$; $\rho = 1000$ kg/m³

Phantom section: Right Section

DASY4 Configuration:

- Probe: ET3DV6 - SN1558; ConvF(4.76, 4.76, 4.76); Calibrated: 11.08.2010
- Sensor-Surface: 4mm (Mechanical And Optical Surface Detection)
- Electronics: DAE3 Sn413; Calibrated: 13.01.2011
- Phantom: SAM 12; Type: SAM; Serial: 1043
- Measurement SW: DASY4, V4.5 Build 19; Postprocessing SW: SEMCAD, V1.8 Build 146

Tilt position - Low/Area Scan (81x91x1): Measurement grid: dx=15mm, dy=15mm

Maximum value of SAR (interpolated) = 0.227 mW/g

Tilt position - Low/Zoom Scan (7x7x7) (7x7x7)/Cube 0: Measurement grid: dx=5mm,

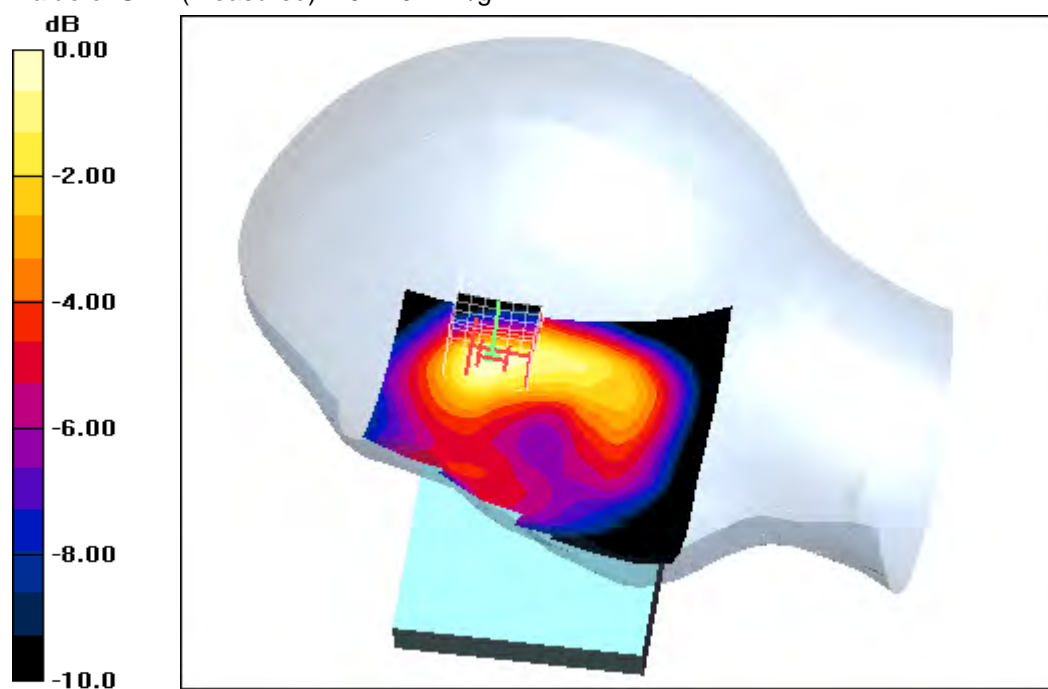
dy=5mm, dz=5mm

Reference Value = 12.1 V/m; Power Drift = 0.113 dB

Peak SAR (extrapolated) = 0.298 W/kg

SAR(1 g) = 0.202 mW/g; SAR(10 g) = 0.126 mW/g

Maximum value of SAR (measured) = 0.219 mW/g



0 dB = 0.219mW/g

Additional information:

ambient temperature: 22.4 °C; liquid temperature: 21.7 °C

Date/Time: 27.03.2011 16:28:10 Date/Time: 27.03.2011 16:37:14 Date/Time: 27.03.2011 16:48:57

IEEE1528_OET65-RightHandSide-GSM1900 slide opened

DUT: Sony Ericsson; Type: AAD-3880111-BV; Serial: CB5A1CHJXX

Communication System: GSM 1900; Frequency: 1880 MHz; Duty Cycle: 1:8

Medium: HSL1900 Medium parameters used: $f = 1880$ MHz; $\sigma = 1.41$ mho/m; $\epsilon_r = 39.6$; $\rho = 1000$ kg/m³

Phantom section: Right Section

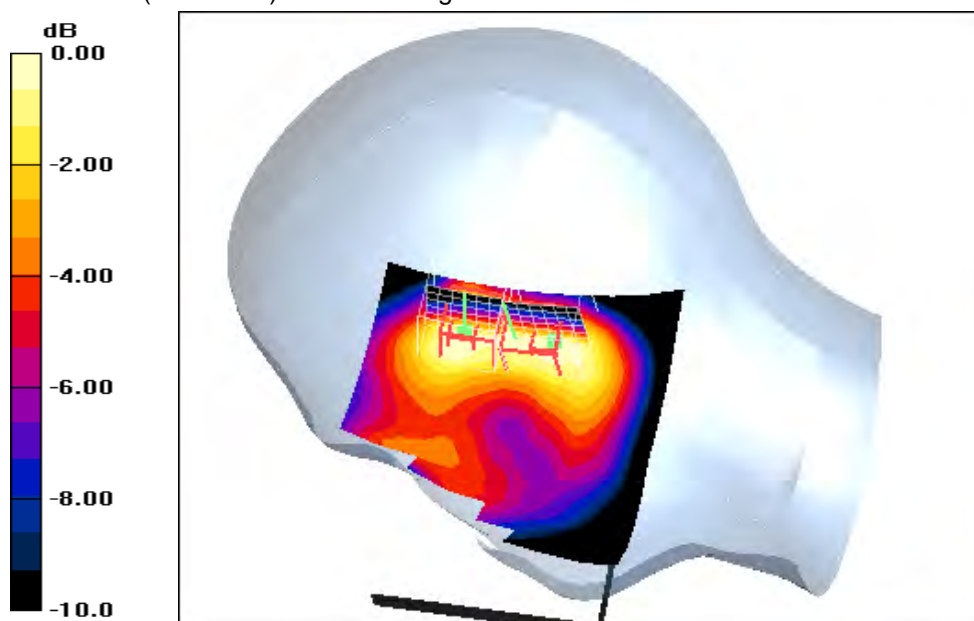
DASY4 Configuration:

- Probe: ET3DV6 - SN1558; ConvF(4.76, 4.76, 4.76); Calibrated: 11.08.2010
- Sensor-Surface: 4mm (Mechanical And Optical Surface Detection)
- Electronics: DAE3 Sn413; Calibrated: 13.01.2011
- Phantom: SAM 12; Type: SAM; Serial: 1043
- Measurement SW: DASY4, V4.5 Build 19; Postprocessing SW: SEMCAD, V1.8 Build 146

Tilt position - Middle/Area Scan (81x91x1): Measurement grid: dx=15mm, dy=15mm
 Maximum value of SAR (interpolated) = 0.212 mW/g

Tilt position - Middle/Zoom Scan (7x7x7) (7x7x7)/Cube 0: Measurement grid:
 dx=5mm, dy=5mm, dz=5mm
 Reference Value = 12.2 V/m; Power Drift = 0.078 dB
 Peak SAR (extrapolated) = 0.287 W/kg
SAR(1 g) = 0.188 mW/g; SAR(10 g) = 0.115 mW/g
 Maximum value of SAR (measured) = 0.205 mW/g

Tilt position - Middle/Zoom Scan (7x7x7) (7x7x7)/Cube 1: Measurement grid:
 dx=5mm, dy=5mm, dz=5mm
 Reference Value = 12.2 V/m; Power Drift = 0.078 dB
 Peak SAR (extrapolated) = 0.253 W/kg
SAR(1 g) = 0.173 mW/g; SAR(10 g) = 0.113 mW/g
 Maximum value of SAR (measured) = 0.194 mW/g



0 dB = 0.194mW/g

Additional information:

ambient temperature: 22.4 °C; liquid temperature: 21.7 °C

Date/Time: 27.03.2011 17:02:32 Date/Time: 27.03.2011 17:11:43 Date/Time: 27.03.2011 17:23:07

IEEE1528_OET65-RightHandSide-GSM1900 slide opened

DUT: Sony Ericsson; Type: AAD-3880111-BV; Serial: CB5A1CHJXX

Communication System: GSM 1900; Frequency: 1909.8 MHz; Duty Cycle: 1:8

Medium: HSL1900 Medium parameters used: $f = 1909.8 \text{ MHz}$; $\sigma = 1.41 \text{ mho/m}$; $\epsilon_r = 39.6$; $\rho = 1000 \text{ kg/m}^3$

Phantom section: Right Section

DASY4 Configuration:

- Probe: ET3DV6 - SN1558; ConvF(4.76, 4.76, 4.76); Calibrated: 11.08.2010
- Sensor-Surface: 4mm (Mechanical And Optical Surface Detection)
- Electronics: DAE3 Sn413; Calibrated: 13.01.2011
- Phantom: SAM 12; Type: SAM; Serial: 1043
- Measurement SW: DASY4, V4.5 Build 19; Postprocessing SW: SEMCAD, V1.8 Build 146

Tilt position - High/Area Scan (81x91x1): Measurement grid: $dx=15\text{mm}$, $dy=15\text{mm}$

Maximum value of SAR (interpolated) = 0.233 mW/g

Tilt position - High/Zoom Scan (7x7x7) (7x7x7)/Cube 0: Measurement grid: $dx=5\text{mm}$, $dy=5\text{mm}$, $dz=5\text{mm}$

Reference Value = 12.3 V/m; Power Drift = -0.106 dB

Peak SAR (extrapolated) = 0.297 W/kg

SAR(1 g) = 0.205 mW/g; SAR(10 g) = 0.126 mW/g

Maximum value of SAR (measured) = 0.223 mW/g

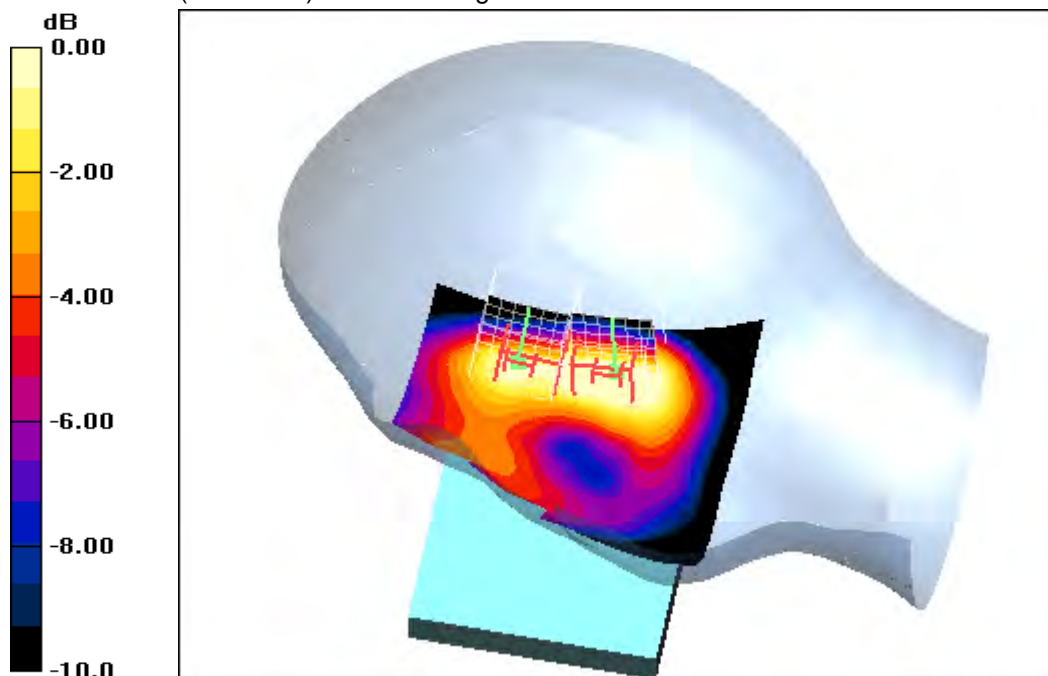
Tilt position - High/Zoom Scan (7x7x7) (7x7x7)/Cube 1: Measurement grid: $dx=5\text{mm}$, $dy=5\text{mm}$, $dz=5\text{mm}$

Reference Value = 12.3 V/m; Power Drift = -0.106 dB

Peak SAR (extrapolated) = 0.235 W/kg

SAR(1 g) = 0.154 mW/g; SAR(10 g) = 0.096 mW/g

Maximum value of SAR (measured) = 0.167 mW/g



0 dB = 0.167mW/g

Additional information:

ambient temperature: 22.4 °C; liquid temperature: 21.7 °C

Annex B.4: GSM 1900MHz body

Date/Time: 14.03.2011 09:30:52 Date/Time: 14.03.2011 09:37:15

IEEE1528_OET65-Body-GSM1900 GPRS 4TS**DUT: Sony Ericsson; Type: AAD-3880111-BV; Serial: CB5A1CHJXX**

Communication System: PCS 1900 GPRS 4TS; Frequency: 1850.2 MHz; Duty Cycle: 1:2

Medium: M1900 Medium parameters used: $f = 1850.2$ MHz; $\sigma = 1.53$ mho/m; $\epsilon_r = 52.7$; $\rho = 1000$ kg/m³

Phantom section: Flat Section

DASY4 Configuration:

- Probe: ET3DV6 - SN1558; ConvF(4.35, 4.35, 4.35); Calibrated: 11.08.2010

- Sensor-Surface: 4mm (Mechanical And Optical Surface Detection)

- Electronics: DAE3 Sn413; Calibrated: 13.01.2011

- Phantom: SAM 12; Type: SAM; Serial: 1043

- Measurement SW: DASY4, V4.5 Build 19; Postprocessing SW: SEMCAD, V1.8 Build 146

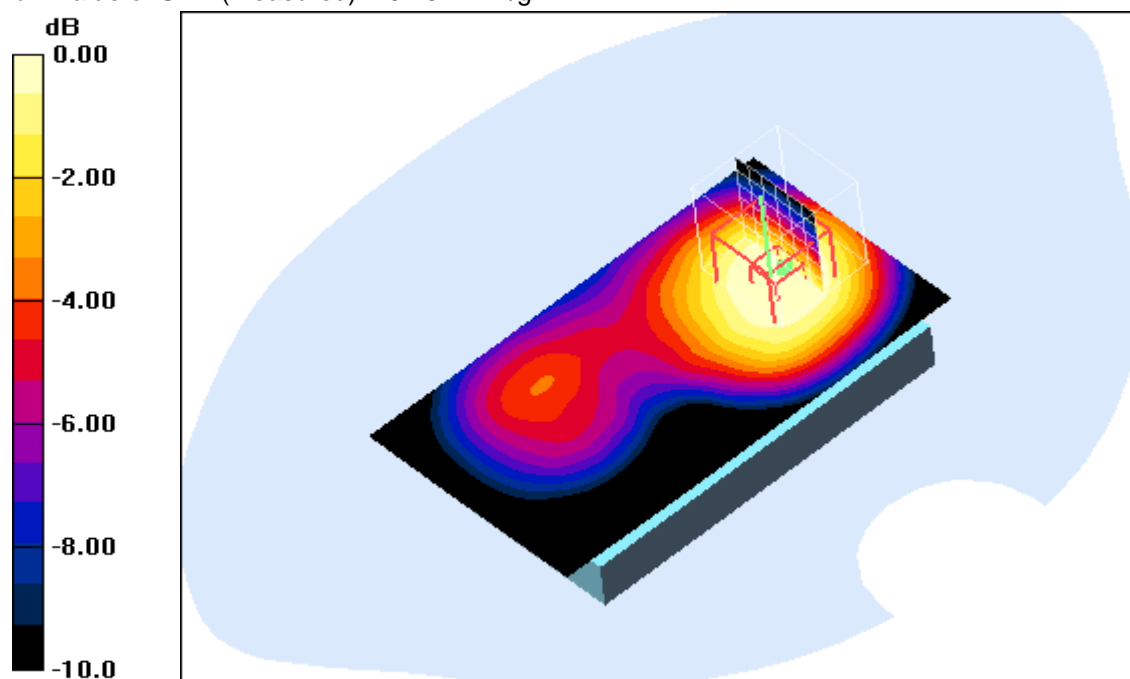
Front position - Low/Area Scan (51x91x1): Measurement grid: dx=15mm, dy=15mm
Maximum value of SAR (interpolated) = 0.535 mW/g**Front position - Low/Zoom Scan (7x7x7) (7x7x7)/Cube 0:** Measurement grid:
dx=5mm, dy=5mm, dz=5mm

Reference Value = 18.2 V/m; Power Drift = -0.116 dB

Peak SAR (extrapolated) = 0.547 W/kg

SAR(1 g) = 0.417 mW/g; SAR(10 g) = 0.283 mW/g

Maximum value of SAR (measured) = 0.454 mW/g



0 dB = 0.454mW/g

Additional information:

position or distance of DUT to SAM: 10 mm

ambient temperature: 23.0°C; liquid temperature: 21.9°C

Date/Time: 14.03.2011 09:51:30 Date/Time: 14.03.2011 10:00:00

IEEE1528_OET65-Body-GSM1900 GPRS 4TS**DUT: Sony Ericsson; Type: AAD-3880111-BV; Serial: CB5A1CHJXX**

Communication System: PCS 1900 GPRS 4TS; Frequency: 1880 MHz; Duty Cycle: 1:2

Medium: M1900 Medium parameters used: $f = 1880$ MHz; $\sigma = 1.53$ mho/m; $\epsilon_r = 52.7$; $\rho = 1000$ kg/m³

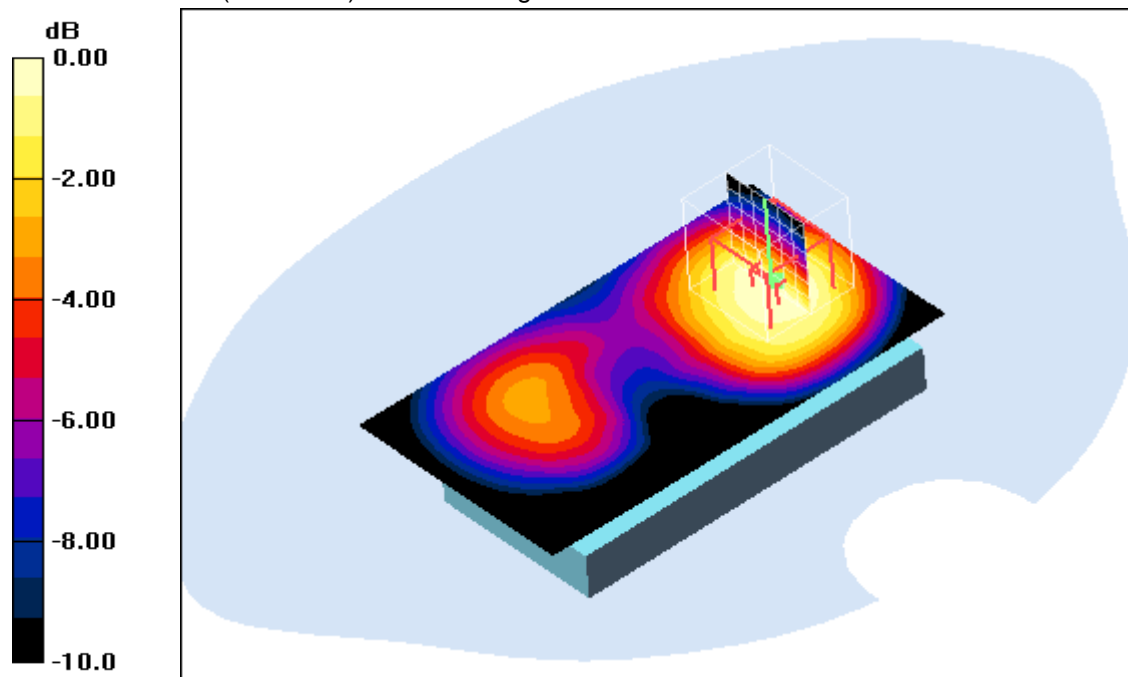
Phantom section: Flat Section

DASY4 Configuration:

- Probe: ET3DV6 - SN1558; ConvF(4.35, 4.35, 4.35); Calibrated: 11.08.2010
- Sensor-Surface: 4mm (Mechanical And Optical Surface Detection)
- Electronics: DAE3 Sn413; Calibrated: 13.01.2011
- Phantom: SAM 12; Type: SAM; Serial: 1043
- Measurement SW: DASY4, V4.5 Build 19; Postprocessing SW: SEMCAD, V1.8 Build 146

Front position - Middle/Area Scan (51x91x1): Measurement grid: dx=15mm, dy=15mm
 Maximum value of SAR (interpolated) = 0.515 mW/g

Front position - Middle/Zoom Scan (7x7x7) (7x7x7)/Cube 0: Measurement grid:
 dx=5mm, dy=5mm, dz=5mm
 Reference Value = 19.2 V/m; Power Drift = -0.147 dB
 Peak SAR (extrapolated) = 0.620 W/kg
SAR(1 g) = 0.463 mW/g; SAR(10 g) = 0.312 mW/g
 Maximum value of SAR (measured) = 0.495 mW/g



0 dB = 0.495mW/g

Additional information:

position or distance of DUT to SAM: 10 mm

ambient temperature: 23.0°C; liquid temperature: 21.9°C

Date/Time: 14.03.2011 10:13:33 Date/Time: 14.03.2011 10:21:00 Date/Time: 14.03.2011 10:32:29

IEEE1528_OET65-Body-GSM1900 GPRS 4TS

DUT: Sony Ericsson; Type: AAD-3880111-BV; Serial: CB5A1CHJXX

Communication System: PCS 1900 GPRS 4TS; Frequency: 1909.8 MHz; Duty Cycle: 1:2

Medium: M1900 Medium parameters used: $f = 1909.8 \text{ MHz}$; $\sigma = 1.53 \text{ mho/m}$; $\epsilon_r = 52.7$; $\rho = 1000 \text{ kg/m}^3$

Phantom section: Flat Section

DASY4 Configuration:

- Probe: ET3DV6 - SN1558; ConvF(4.35, 4.35, 4.35); Calibrated: 11.08.2010
- Sensor-Surface: 4mm (Mechanical And Optical Surface Detection)
- Electronics: DAE3 Sn413; Calibrated: 13.01.2011
- Phantom: SAM 12; Type: SAM; Serial: 1043
- Measurement SW: DASY4, V4.5 Build 19; Postprocessing SW: SEMCAD, V1.8 Build 146

Front position - High/Area Scan (51x91x1): Measurement grid: $dx=15\text{mm}$, $dy=15\text{mm}$

Maximum value of SAR (interpolated) = 0.488 mW/g

Front position - High/Zoom Scan (7x7x7) (7x7x7)/Cube 0: Measurement grid:

$dx=5\text{mm}$, $dy=5\text{mm}$, $dz=5\text{mm}$

Reference Value = 18.8 V/m; Power Drift = -0.00 dB

Peak SAR (extrapolated) = 0.607 W/kg

SAR(1 g) = 0.441 mW/g; SAR(10 g) = 0.294 mW/g

Maximum value of SAR (measured) = 0.472 mW/g

Front position - High/Zoom Scan (7x7x7) (7x7x7)/Cube 1: Measurement grid:

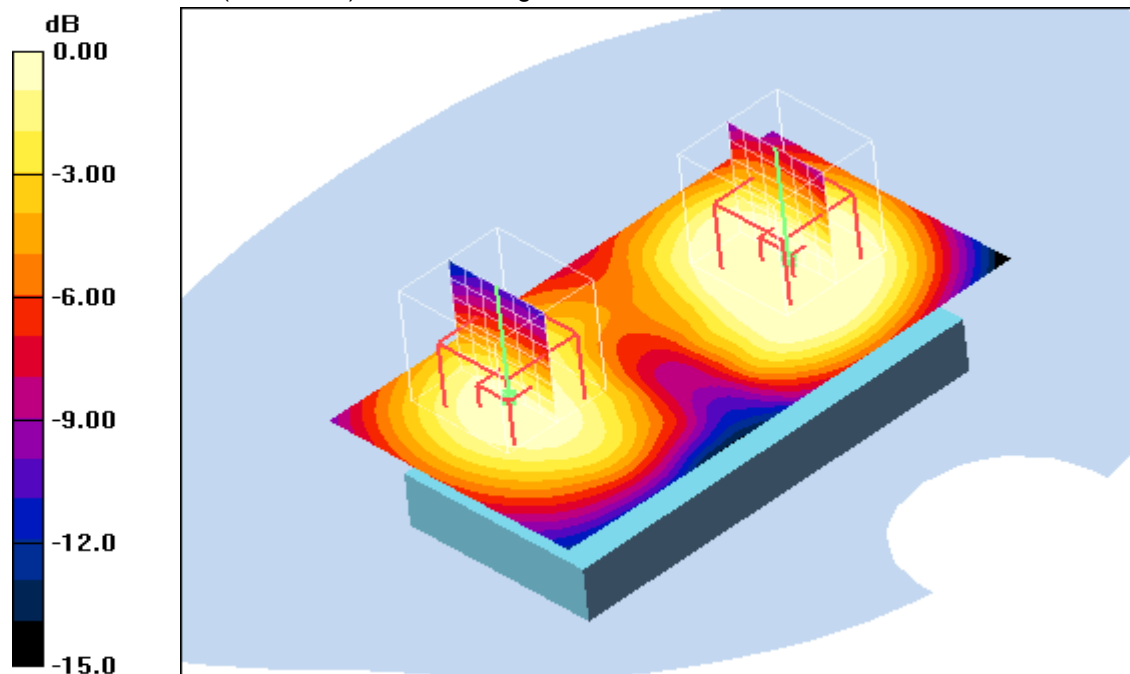
$dx=5\text{mm}$, $dy=5\text{mm}$, $dz=5\text{mm}$

Reference Value = 18.8 V/m; Power Drift = -0.00 dB

Peak SAR (extrapolated) = 0.397 W/kg

SAR(1 g) = 0.286 mW/g; SAR(10 g) = 0.186 mW/g

Maximum value of SAR (measured) = 0.307 mW/g



0 dB = 0.307mW/g

Additional information:

position or distance of DUT to SAM: 10 mm

ambient temperature: 23.0°C; liquid temperature: 21.9°C

Date/Time: 14.03.2011 10:50:10 Date/Time: 14.03.2011 10:56:37

IEEE1528_OET65-Body-GSM1900 GPRS 4TS**DUT: Sony Ericsson; Type: AAD-3880111-BV; Serial: CB5A1CHJXX**

Communication System: PCS 1900 GPRS 4TS; Frequency: 1850.2 MHz; Duty Cycle: 1:2

Medium: M1900 Medium parameters used: $f = 1850.2$ MHz; $\sigma = 1.53$ mho/m; $\epsilon_r = 52.7$; $\rho = 1000$ kg/m³

Phantom section: Flat Section

DASY4 Configuration:

- Probe: ET3DV6 - SN1558; ConvF(4.35, 4.35, 4.35); Calibrated: 11.08.2010

- Sensor-Surface: 4mm (Mechanical And Optical Surface Detection)

- Electronics: DAE3 Sn413; Calibrated: 13.01.2011

- Phantom: SAM 12; Type: SAM; Serial: 1043

- Measurement SW: DASY4, V4.5 Build 19; Postprocessing SW: SEMCAD, V1.8 Build 146

Rear position - Low/Area Scan (51x91x1): Measurement grid: dx=15mm, dy=15mm

Maximum value of SAR (interpolated) = 1.01 mW/g

Rear position - Low/Zoom Scan (7x7x7) (7x7x7)/Cube 0: Measurement grid:

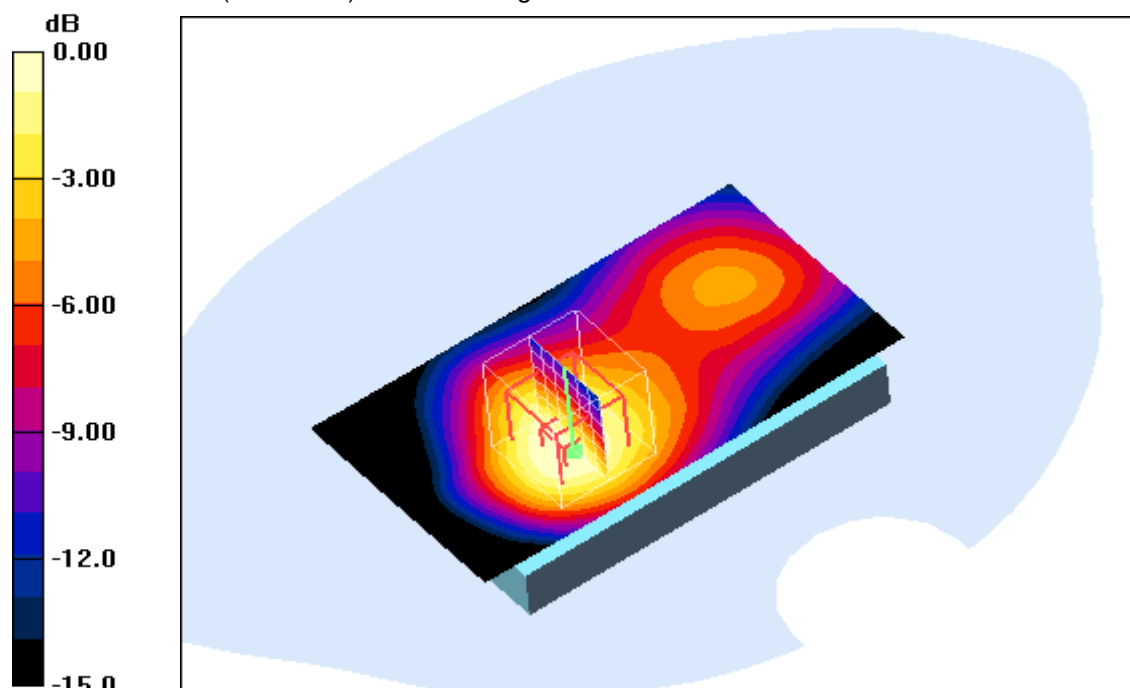
dx=5mm, dy=5mm, dz=5mm

Reference Value = 26.9 V/m; Power Drift = -0.075 dB

Peak SAR (extrapolated) = 1.19 W/kg

SAR(1 g) = 0.848 mW/g; SAR(10 g) = 0.523 mW/g

Maximum value of SAR (measured) = 0.929 mW/g

**Additional information:**

position or distance of DUT to SAM: 10 mm

ambient temperature: 23.0°C; liquid temperature: 21.9°C

Date/Time: 14.03.2011 11:10:36 Date/Time: 14.03.2011 11:17:02

IEEE1528_OET65-Body-GSM1900 GPRS 4TS**DUT: Sony Ericsson; Type: AAD-3880111-BV; Serial: CB5A1CHJXX**

Communication System: PCS 1900 GPRS 4TS; Frequency: 1880 MHz; Duty Cycle: 1:2

Medium: M1900 Medium parameters used: $f = 1880$ MHz; $\sigma = 1.53$ mho/m; $\epsilon_r = 52.7$; $\rho = 1000$ kg/m³

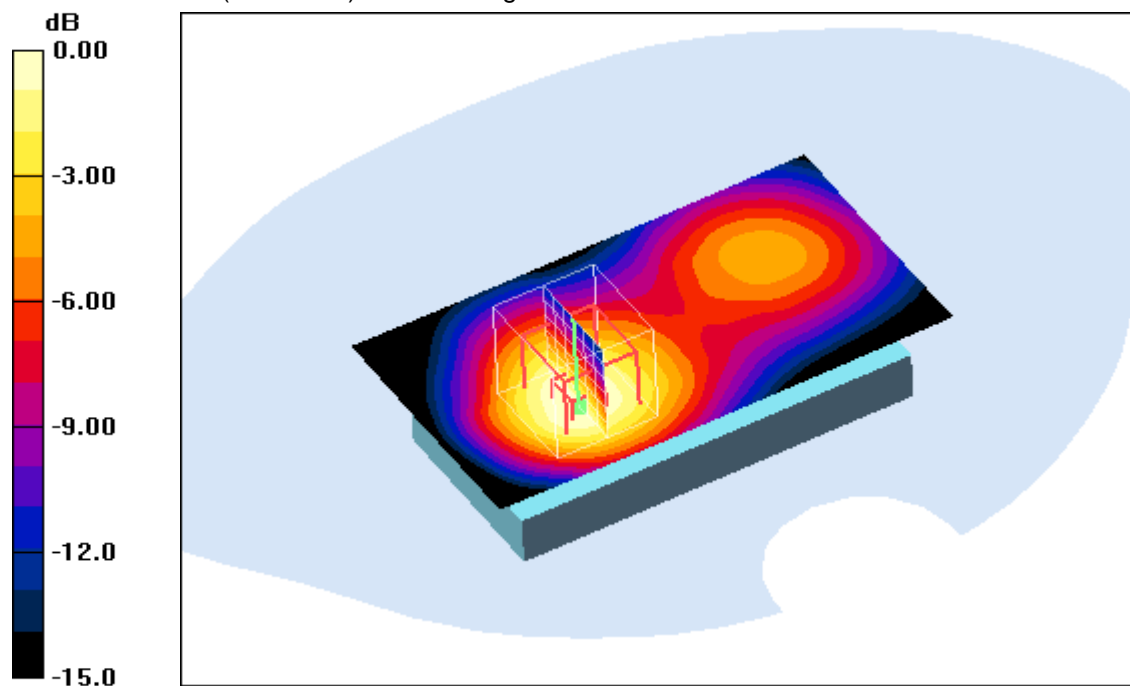
Phantom section: Flat Section

DASY4 Configuration:

- Probe: ET3DV6 - SN1558; ConvF(4.35, 4.35, 4.35); Calibrated: 11.08.2010
- Sensor-Surface: 4mm (Mechanical And Optical Surface Detection)
- Electronics: DAE3 Sn413; Calibrated: 13.01.2011
- Phantom: SAM 12; Type: SAM; Serial: 1043
- Measurement SW: DASY4, V4.5 Build 19; Postprocessing SW: SEMCAD, V1.8 Build 146

Rear position - Middle/Area Scan (51x91x1): Measurement grid: dx=15mm, dy=15mm
 Maximum value of SAR (interpolated) = 1.19 mW/g

Rear position - Middle/Zoom Scan (7x7x7) (7x7x7)/Cube 0: Measurement grid:
 dx=5mm, dy=5mm, dz=5mm
 Reference Value = 28.0 V/m; Power Drift = -0.019 dB
 Peak SAR (extrapolated) = 1.46 W/kg
SAR(1 g) = 1.03 mW/g; SAR(10 g) = 0.629 mW/g
 Maximum value of SAR (measured) = 1.13 mW/g



0 dB = 1.13mW/g

Additional information:

position or distance of DUT to SAM: 10 mm

ambient temperature: 23.0°C; liquid temperature: 21.9°C

Date/Time: 14.03.2011 11:31:42 Date/Time: 14.03.2011 11:38:08

IEEE1528_OET65-Body-GSM1900 GPRS 4TS

DUT: Sony Ericsson; Type: AAD-3880111-BV; Serial: CB5A1CHJXX

Communication System: PCS 1900 GPRS 4TS; Frequency: 1909.8 MHz; Duty Cycle: 1:2

Medium: M1900 Medium parameters used: $f = 1909.8$ MHz; $\sigma = 1.53$ mho/m; $\epsilon_r = 52.7$; $\rho = 1000$ kg/m³

Phantom section: Flat Section

DASY4 Configuration:

- Probe: ET3DV6 - SN1558; ConvF(4.35, 4.35, 4.35); Calibrated: 11.08.2010
- Sensor-Surface: 4mm (Mechanical And Optical Surface Detection)
- Electronics: DAE3 Sn413; Calibrated: 13.01.2011
- Phantom: SAM 12; Type: SAM; Serial: 1043
- Measurement SW: DASY4, V4.5 Build 19; Postprocessing SW: SEMCAD, V1.8 Build 146

Rear position - High/Area Scan (51x91x1): Measurement grid: dx=15mm, dy=15mm
Maximum value of SAR (interpolated) = 1.22 mW/g

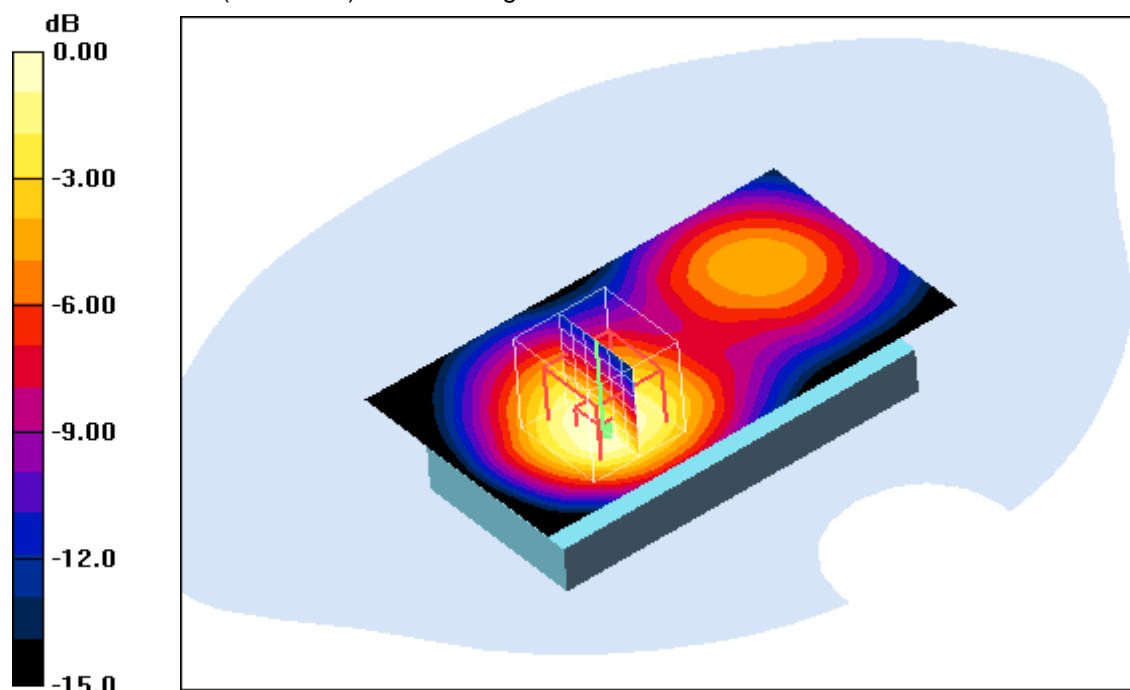
Rear position - High/Zoom Scan (7x7x7) (7x7x7)/Cube 0: Measurement grid:
dx=5mm, dy=5mm, dz=5mm

Reference Value = 28.3 V/m; Power Drift = -0.072 dB

Peak SAR (extrapolated) = 1.57 W/kg

SAR(1 g) = 1.06 mW/g; SAR(10 g) = 0.641 mW/g

Maximum value of SAR (measured) = 1.17 mW/g



0 dB = 1.17mW/g

Additional information:

position or distance of DUT to SAM: 10 mm

ambient temperature: 23.0°C; liquid temperature: 21.9°C

Date/Time: 14.03.2011 12:21:27 Date/Time: 14.03.2011 12:27:55 Date/Time: 14.03.2011 12:39:20

IEEE1528_OET65-Body-GSM1900 GPRS 4TS**DUT: Sony Ericsson; Type: AAD-3880111-BV; Serial: CB5A1CHJXX**

Communication System: PCS 1900 GPRS 4TS; Frequency: 1880 MHz; Duty Cycle: 1:2

Medium: M1900 Medium parameters used: $f = 1880$ MHz; $\sigma = 1.53$ mho/m; $\epsilon_r = 52.7$; $\rho = 1000$ kg/m³

Phantom section: Flat Section

DASY4 Configuration:

- Probe: ET3DV6 - SN1558; ConvF(4.35, 4.35, 4.35); Calibrated: 11.08.2010
- Sensor-Surface: 4mm (Mechanical And Optical Surface Detection)
- Electronics: DAE3 Sn413; Calibrated: 13.01.2011
- Phantom: SAM 12; Type: SAM; Serial: 1043
- Measurement SW: DASY4, V4.5 Build 19; Postprocessing SW: SEMCAD, V1.8 Build 146

Edge left position - Middle/Area Scan (51x91x1): Measurement grid: dx=15mm, dy=15mm

Maximum value of SAR (interpolated) = 0.378 mW/g

Edge left position - Middle/Zoom Scan (7x7x7) (7x7x7)/Cube 0: Measurement grid: dx=5mm, dy=5mm, dz=5mm

Reference Value = 15.9 V/m; Power Drift = -0.112 dB

Peak SAR (extrapolated) = 0.461 W/kg

SAR(1 g) = 0.303 mW/g; SAR(10 g) = 0.180 mW/g

Maximum value of SAR (measured) = 0.335 mW/g

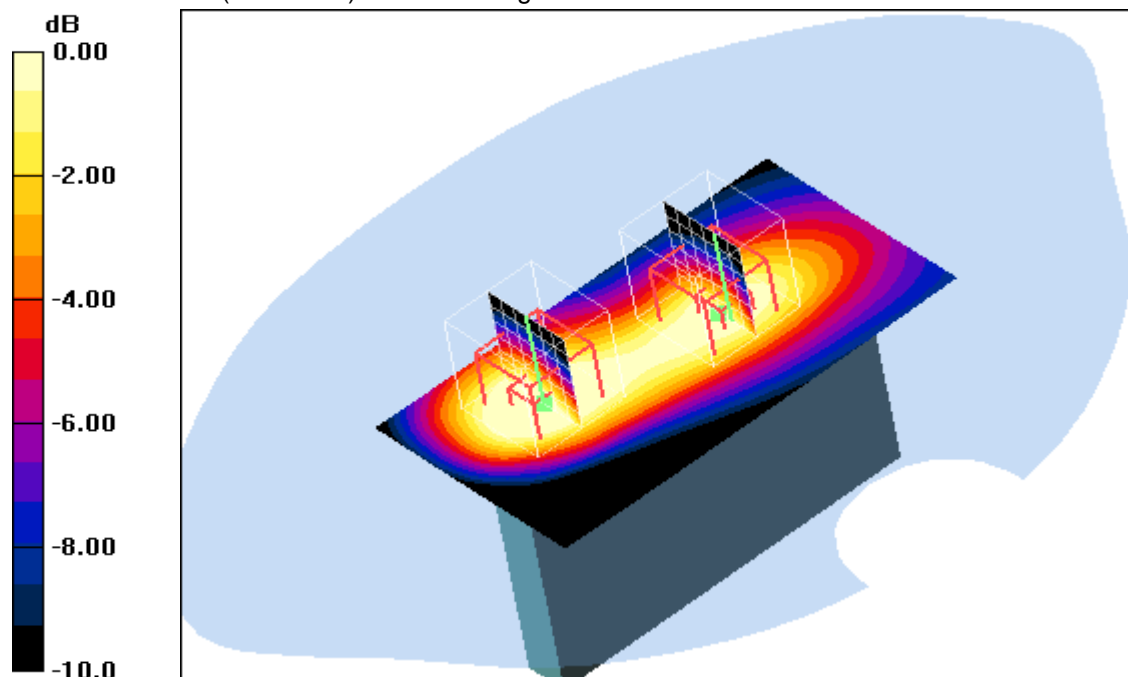
Edge left position - Middle/Zoom Scan (7x7x7) (7x7x7)/Cube 1: Measurement grid: dx=5mm, dy=5mm, dz=5mm

Reference Value = 15.9 V/m; Power Drift = -0.112 dB

Peak SAR (extrapolated) = 0.353 W/kg

SAR(1 g) = 0.236 mW/g; SAR(10 g) = 0.144 mW/g

Maximum value of SAR (measured) = 0.255 mW/g



0 dB = 0.255mW/g

Additional information:

position or distance of DUT to SAM: 10 mm

ambient temperature: 23.0°C; liquid temperature: 21.9°C

Date/Time: 14.03.2011 12:54:19 Date/Time: 14.03.2011 13:00:48

IEEE1528_OET65-Body-GSM1900 GPRS 4TS

DUT: Sony Ericsson; Type: AAD-3880111-BV; Serial: CB5A1CHJXX

Communication System: PCS 1900 GPRS 4TS; Frequency: 1880 MHz; Duty Cycle: 1:2

Medium: M1900 Medium parameters used: $f = 1880 \text{ MHz}$; $\sigma = 1.53 \text{ mho/m}$; $\epsilon_r = 52.7$; $\rho = 1000 \text{ kg/m}^3$

Phantom section: Flat Section

DASY4 Configuration:

- Probe: ET3DV6 - SN1558; ConvF(4.35, 4.35, 4.35); Calibrated: 11.08.2010
- Sensor-Surface: 4mm (Mechanical And Optical Surface Detection)
- Electronics: DAE3 Sn413; Calibrated: 13.01.2011
- Phantom: SAM 12; Type: SAM; Serial: 1043
- Measurement SW: DASY4, V4.5 Build 19; Postprocessing SW: SEMCAD, V1.8 Build 146

Edge right position - Middle/Area Scan (51x91x1): Measurement grid: $dx=15\text{mm}$, $dy=15\text{mm}$

Maximum value of SAR (interpolated) = 0.126 mW/g

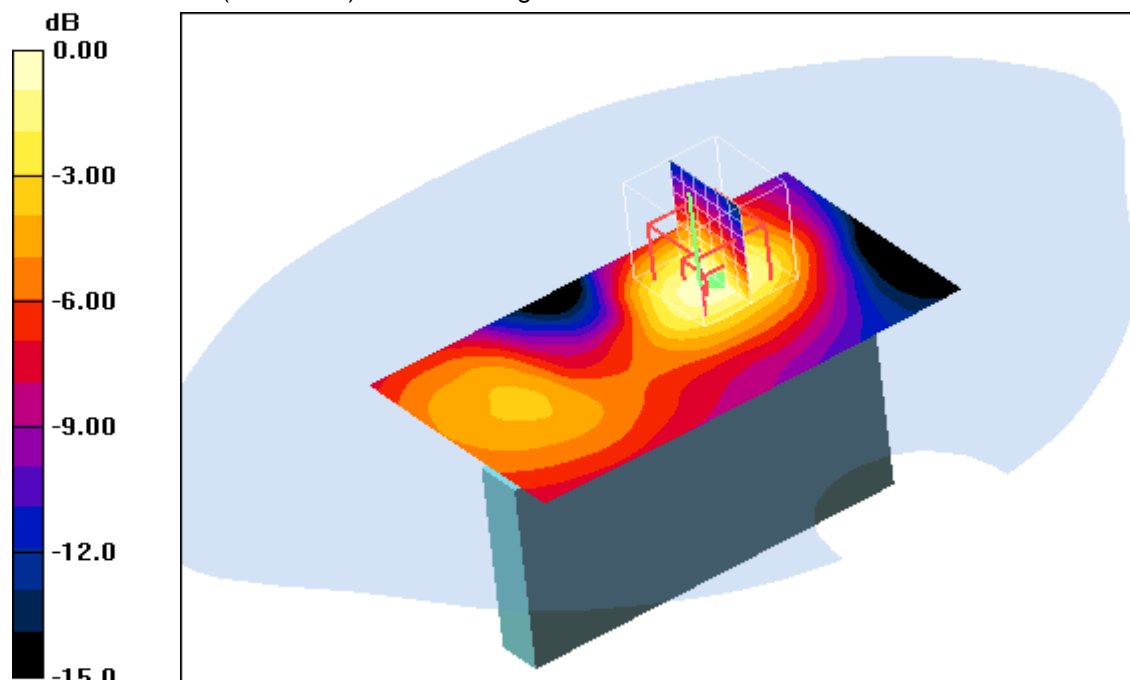
Edge right position - Middle/Zoom Scan (7x7x7) (7x7x7)/Cube 0: Measurement grid: $dx=5\text{mm}$, $dy=5\text{mm}$, $dz=5\text{mm}$

Reference Value = 9.64 V/m; Power Drift = -0.046 dB

Peak SAR (extrapolated) = 0.178 W/kg

SAR(1 g) = 0.116 mW/g; SAR(10 g) = 0.070 mW/g

Maximum value of SAR (measured) = 0.136 mW/g



0 dB = 0.136mW/g

Additional information:

position or distance of DUT to SAM: 10 mm

ambient temperature: 23.0°C; liquid temperature: 21.9°C

Date/Time: 14.03.2011 13:18:32 Date/Time: 14.03.2011 13:23:58

IEEE1528_OET65-Body-GSM1900 GPRS 4TS**DUT: Sony Ericsson; Type: AAD-3880111-BV; Serial: CB5A1CHJXX**

Communication System: PCS 1900 GPRS 4TS; Frequency: 1880 MHz; Duty Cycle: 1:2

Medium: M1900 Medium parameters used: $f = 1880$ MHz; $\sigma = 1.53$ mho/m; $\epsilon_r = 52.7$; $\rho = 1000$ kg/m³

Phantom section: Flat Section

DASY4 Configuration:

- Probe: ET3DV6 - SN1558; ConvF(4.35, 4.35, 4.35); Calibrated: 11.08.2010
- Sensor-Surface: 4mm (Mechanical And Optical Surface Detection)
- Electronics: DAE3 Sn413; Calibrated: 13.01.2011
- Phantom: SAM 12; Type: SAM; Serial: 1043
- Measurement SW: DASY4, V4.5 Build 19; Postprocessing SW: SEMCAD, V1.8 Build 146

Edge bottom position - Middle/Area Scan (61x61x1): Measurement grid: dx=15mm, dy=15mm

Maximum value of SAR (interpolated) = 0.183 mW/g

Edge bottom position - Middle/Zoom Scan (7x7x7) (7x7x7)/Cube 0:

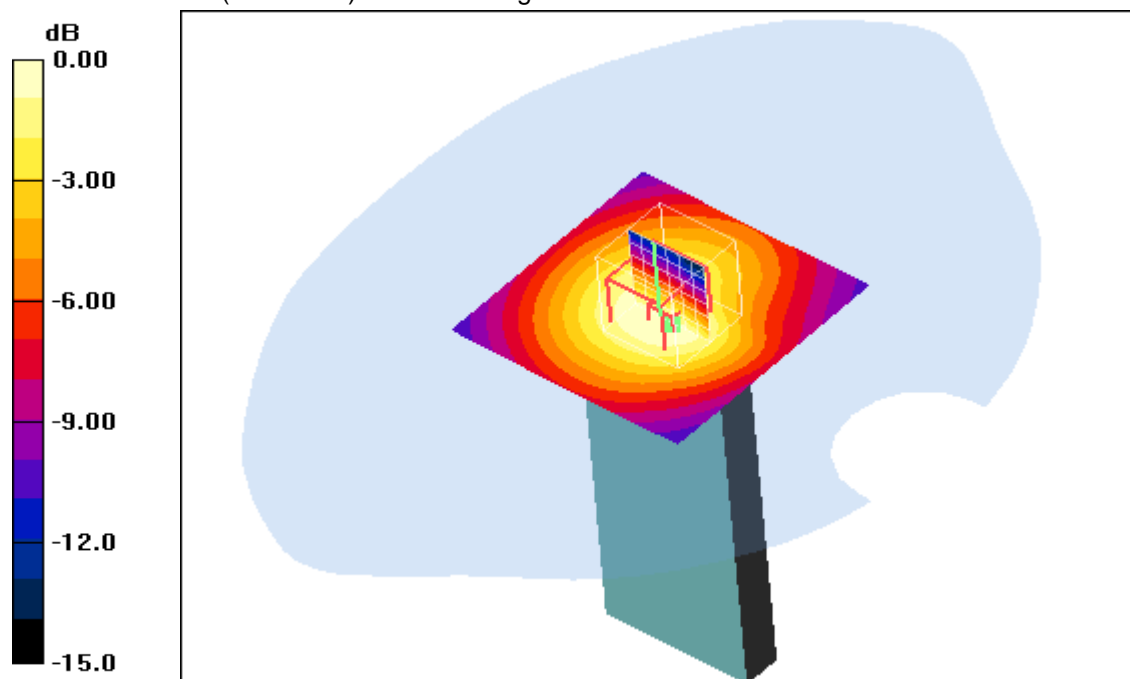
Measurement grid: dx=5mm, dy=5mm, dz=5mm

Reference Value = 11.8 V/m; Power Drift = -0.121 dB

Peak SAR (extrapolated) = 0.255 W/kg

SAR(1 g) = 0.155 mW/g; SAR(10 g) = 0.094 mW/g

Maximum value of SAR (measured) = 0.173 mW/g



0 dB = 0.173mW/g

Additional information:

position or distance of DUT to SAM: 10 mm

ambient temperature: 23.0°C; liquid temperature: 21.9°C

Date/Time: 14.03.2011 11:56:07 Date/Time: 14.03.2011 12:02:35

IEEE1528_OET65-Body-GSM1900 1TS

DUT: Sony Ericsson; Type: AAD-3880111-BV; Serial: CB5A1CHJXX

Communication System: GSM 1900; Frequency: 1909.8 MHz; Duty Cycle: 1:8

Medium: M1900 Medium parameters used: $f = 1909.8 \text{ MHz}$; $\sigma = 1.53 \text{ mho/m}$; $\epsilon_r = 52.7$; $\rho = 1000 \text{ kg/m}^3$

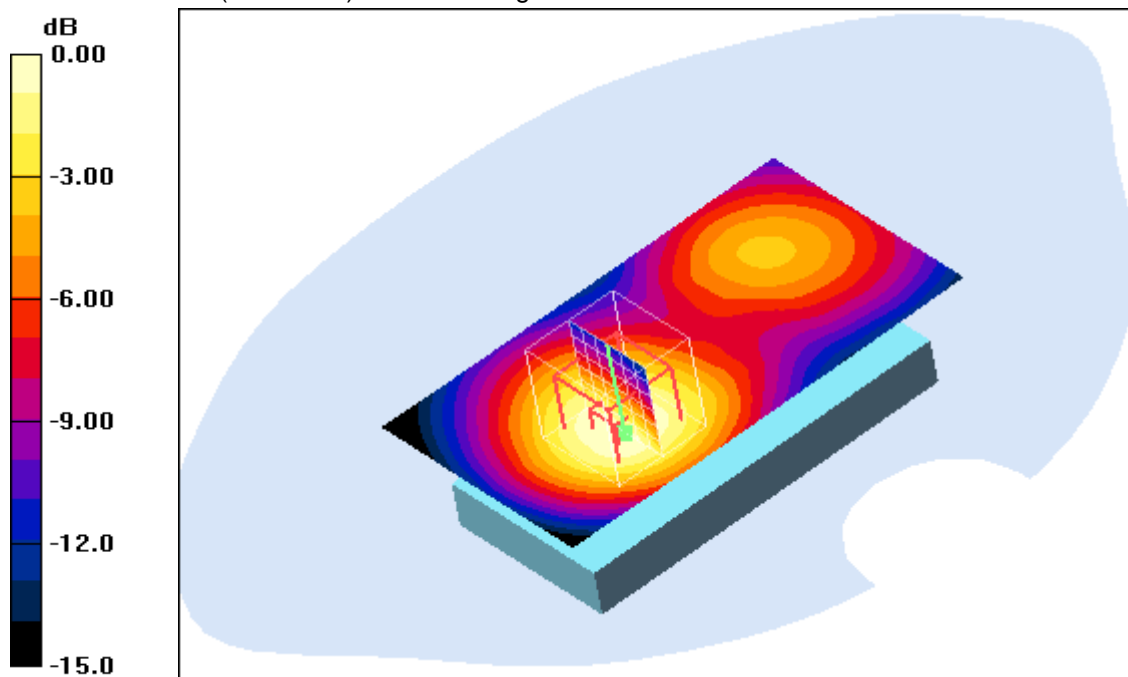
Phantom section: Flat Section

DASY4 Configuration:

- Probe: ET3DV6 - SN1558; ConvF(4.35, 4.35, 4.35); Calibrated: 11.08.2010
- Sensor-Surface: 4mm (Mechanical And Optical Surface Detection)
- Electronics: DAE3 Sn413; Calibrated: 13.01.2011
- Phantom: SAM 12; Type: SAM; Serial: 1043
- Measurement SW: DASY4, V4.5 Build 19; Postprocessing SW: SEMCAD, V1.8 Build 146

Rear position - High/Area Scan (51x91x1): Measurement grid: $dx=15\text{mm}$, $dy=15\text{mm}$
 Maximum value of SAR (interpolated) = 0.498 mW/g

Rear position - High/Zoom Scan (7x7x7) (7x7x7)/Cube 0: Measurement grid:
 $dx=5\text{mm}$, $dy=5\text{mm}$, $dz=5\text{mm}$
 Reference Value = 19.2 V/m; Power Drift = -0.034 dB
 Peak SAR (extrapolated) = 0.659 W/kg
SAR(1 g) = 0.456 mW/g; SAR(10 g) = 0.286 mW/g
 Maximum value of SAR (measured) = 0.494 mW/g



0 dB = 0.494mW/g

Additional information:

position or distance of DUT to SAM: 15 mm
 ambient temperature: 23.0°C; liquid temperature: 21.9°C

Annex B.5: WCDMA FDD II 1900MHz head

Date/Time: 25.03.2011 12:47:28 Date/Time: 25.03.2011 12:53:43 Date/Time: 25.03.2011 13:05:28

IEEE1528_OET65-LeftHandSide-WCDMA FDD II

DUT: Sony Ericsson; Type: AAD-3880111-BV; Serial: CB5A1CHJXX

Communication System: WCDMA FDD II; Frequency: 1852.5 MHz; Duty Cycle: 1:1

Medium: HSL1900 Medium parameters used (interpolated): $f = 1852.5 \text{ MHz}$; $\sigma = 1.41 \text{ mho/m}$; $\epsilon_r = 39.6$; $\rho = 1000 \text{ kg/m}^3$

Phantom section: Left Section

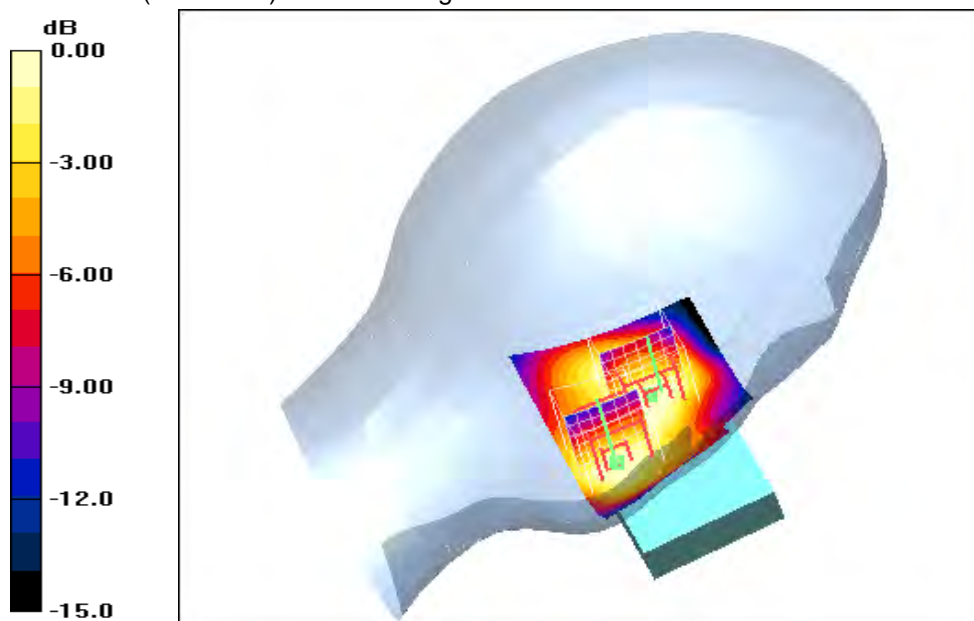
DASY4 Configuration:

- Probe: ET3DV6 - SN1558; ConvF(4.76, 4.76, 4.76); Calibrated: 11.08.2010
- Sensor-Surface: 4mm (Mechanical And Optical Surface Detection)
- Electronics: DAE3 Sn413; Calibrated: 13.01.2011
- Phantom: SAM 12; Type: SAM; Serial: 1043
- Measurement SW: DASY4, V4.5 Build 19; Postprocessing SW: SEMCAD, V1.8 Build 146

Touch position - Low/Area Scan (51x91x1): Measurement grid: $dx=15\text{mm}$, $dy=15\text{mm}$
 Maximum value of SAR (interpolated) = 0.590 mW/g

Touch position - Low/Zoom Scan (7x7x7) (7x7x7)/Cube 0: Measurement grid:
 $dx=5\text{mm}$, $dy=5\text{mm}$, $dz=5\text{mm}$
 Reference Value = 21.1 V/m; Power Drift = 0.050 dB
 Peak SAR (extrapolated) = 0.831 W/kg
SAR(1 g) = 0.554 mW/g; SAR(10 g) = 0.341 mW/g
 Maximum value of SAR (measured) = 0.603 mW/g

Touch position - Low/Zoom Scan (7x7x7) (7x7x7)/Cube 1: Measurement grid:
 $dx=5\text{mm}$, $dy=5\text{mm}$, $dz=5\text{mm}$
 Reference Value = 21.1 V/m; Power Drift = 0.050 dB
 Peak SAR (extrapolated) = 0.611 W/kg
SAR(1 g) = 0.489 mW/g; SAR(10 g) = 0.342 mW/g
 Maximum value of SAR (measured) = 0.517 mW/g



0 dB = 0.517mW/g

Additional information:

ambient temperature: 23.6°C; liquid temperature: 22.9°C

Date/Time: 25.03.2011 12:16:21 Date/Time: 25.03.2011 12:22:35 Date/Time: 25.03.2011 12:34:28

IEEE1528_OET65-LeftHandSide-WCDMA FDD II

DUT: Sony Ericsson; Type: AAD-3880111-BV; Serial: CB5A1CHJXX

Communication System: WCDMA FDD II; Frequency: 1880 MHz; Duty Cycle: 1:1

Medium: HSL1900 Medium parameters used: $f = 1880$ MHz; $\sigma = 1.41$ mho/m; $\epsilon_r = 39.6$; $\rho = 1000$ kg/m³

Phantom section: Left Section

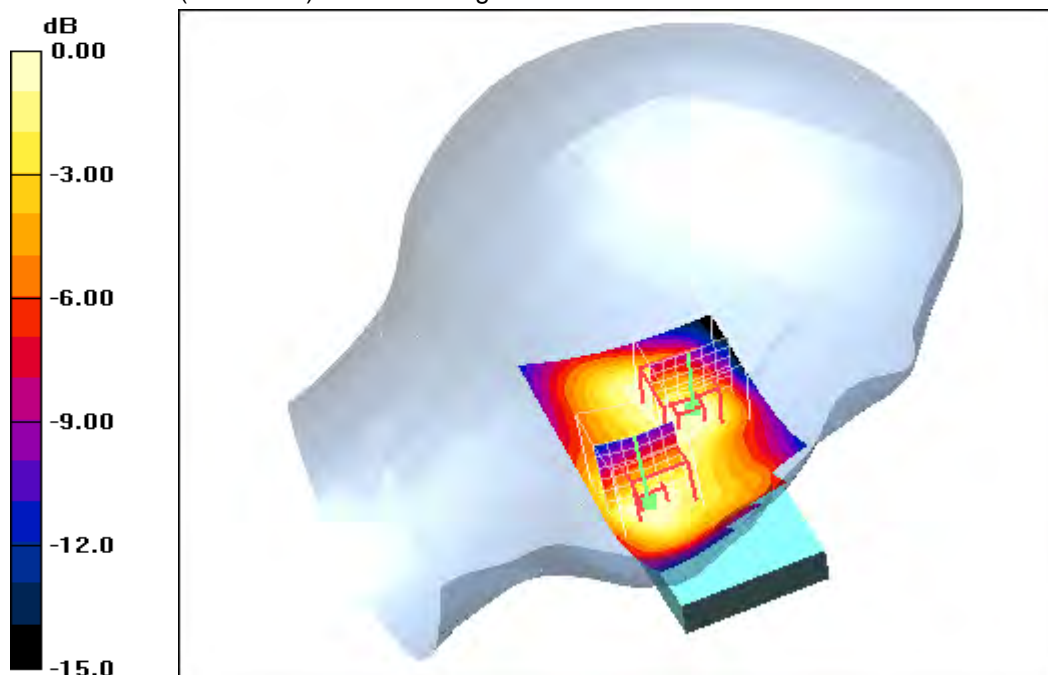
DASY4 Configuration:

- Probe: ET3DV6 - SN1558; ConvF(4.76, 4.76, 4.76); Calibrated: 11.08.2010
- Sensor-Surface: 4mm (Mechanical And Optical Surface Detection)
- Electronics: DAE3 Sn413; Calibrated: 13.01.2011
- Phantom: SAM 12; Type: SAM; Serial: 1043
- Measurement SW: DASY4, V4.5 Build 19; Postprocessing SW: SEMCAD, V1.8 Build 146

Touch position - Middle/Area Scan (51x91x1): Measurement grid: dx=15mm, dy=15mm
Maximum value of SAR (interpolated) = 0.550 mW/g

Touch position - Middle/Zoom Scan (7x7x7) (7x7x7)/Cube 0: Measurement grid:
dx=5mm, dy=5mm, dz=5mm
Reference Value = 20.4 V/m; Power Drift = -0.071 dB
Peak SAR (extrapolated) = 0.760 W/kg
SAR(1 g) = 0.496 mW/g; SAR(10 g) = 0.308 mW/g
Maximum value of SAR (measured) = 0.542 mW/g

Touch position - Middle/Zoom Scan (7x7x7) (7x7x7)/Cube 1: Measurement grid:
dx=5mm, dy=5mm, dz=5mm
Reference Value = 20.4 V/m; Power Drift = -0.071 dB
Peak SAR (extrapolated) = 0.583 W/kg
SAR(1 g) = 0.462 mW/g; SAR(10 g) = 0.314 mW/g
Maximum value of SAR (measured) = 0.489 mW/g



0 dB = 0.489mW/g

Additional information:

ambient temperature: 23.6°C; liquid temperature: 22.9°C

Date/Time: 25.03.2011 11:43:48 Date/Time: 25.03.2011 11:50:02 Date/Time: 25.03.2011 12:01:57

IEEE1528_OET65-LeftHandSide-WCDMA FDD II

DUT: Sony Ericsson; Type: AAD-3880111-BV; Serial: CB5A1CHJXX

Communication System: WCDMA FDD II; Frequency: 1907.6 MHz; Duty Cycle: 1:1

Medium: HSL1900 Medium parameters used (interpolated): $f = 1907.6$ MHz; $\sigma = 1.41$ mho/m; $\epsilon_r = 39.6$; $\rho = 1000$ kg/m³

Phantom section: Left Section

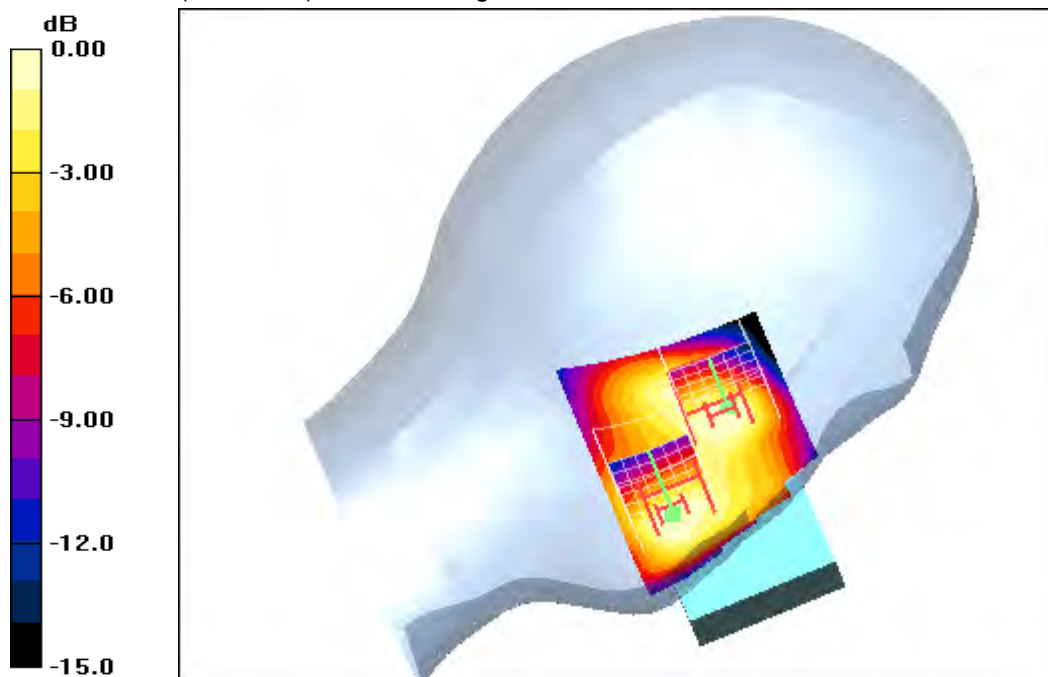
DASY4 Configuration:

- Probe: ET3DV6 - SN1558; ConvF(4.76, 4.76, 4.76); Calibrated: 11.08.2010
- Sensor-Surface: 4mm (Mechanical And Optical Surface Detection)
- Electronics: DAE3 Sn413; Calibrated: 13.01.2011
- Phantom: SAM 12; Type: SAM; Serial: 1043
- Measurement SW: DASY4, V4.5 Build 19; Postprocessing SW: SEMCAD, V1.8 Build 146

Touch position - High/Area Scan (51x91x1): Measurement grid: dx=15mm, dy=15mm
 Maximum value of SAR (interpolated) = 0.457 mW/g

Touch position - High/Zoom Scan (7x7x7) (7x7x7)/Cube 0: Measurement grid:
 dx=5mm, dy=5mm, dz=5mm
 Reference Value = 18.5 V/m; Power Drift = -0.027 dB
 Peak SAR (extrapolated) = 0.608 W/kg
SAR(1 g) = 0.412 mW/g; SAR(10 g) = 0.258 mW/g
 Maximum value of SAR (measured) = 0.445 mW/g

Touch position - High/Zoom Scan (7x7x7) (7x7x7)/Cube 1: Measurement grid:
 dx=5mm, dy=5mm, dz=5mm
 Reference Value = 18.5 V/m; Power Drift = -0.027 dB
 Peak SAR (extrapolated) = 0.493 W/kg
SAR(1 g) = 0.380 mW/g; SAR(10 g) = 0.251 mW/g
 Maximum value of SAR (measured) = 0.404 mW/g



0 dB = 0.404mW/g

Additional information:

ambient temperature: 23.6°C; liquid temperature: 22.9°C

Date/Time: 25.03.2011 13:31:12 Date/Time: 25.03.2011 13:37:43

IEEE1528_OET65-LeftHandSide-WCDMA FDD II

DUT: Sony Ericsson; Type: AAD-3880111-BV; Serial: CB5A1CHJXX

Communication System: WCDMA FDD II; Frequency: 1852.5 MHz; Duty Cycle: 1:1

Medium: HSL1900 Medium parameters used (interpolated): $f = 1852.5$ MHz; $\sigma = 1.41$ mho/m; $\epsilon_r = 39.6$; $\rho = 1000$ kg/m³

Phantom section: Left Section

DASY4 Configuration:

- Probe: ET3DV6 - SN1558; ConvF(4.76, 4.76, 4.76); Calibrated: 11.08.2010
- Sensor-Surface: 4mm (Mechanical And Optical Surface Detection)
- Electronics: DAE3 Sn413; Calibrated: 13.01.2011
- Phantom: SAM 12; Type: SAM; Serial: 1043
- Measurement SW: DASY4, V4.5 Build 19; Postprocessing SW: SEMCAD, V1.8 Build 146

Tilt position - Low/Area Scan (51x91x1): Measurement grid: dx=15mm, dy=15mm

Maximum value of SAR (interpolated) = 0.922 mW/g

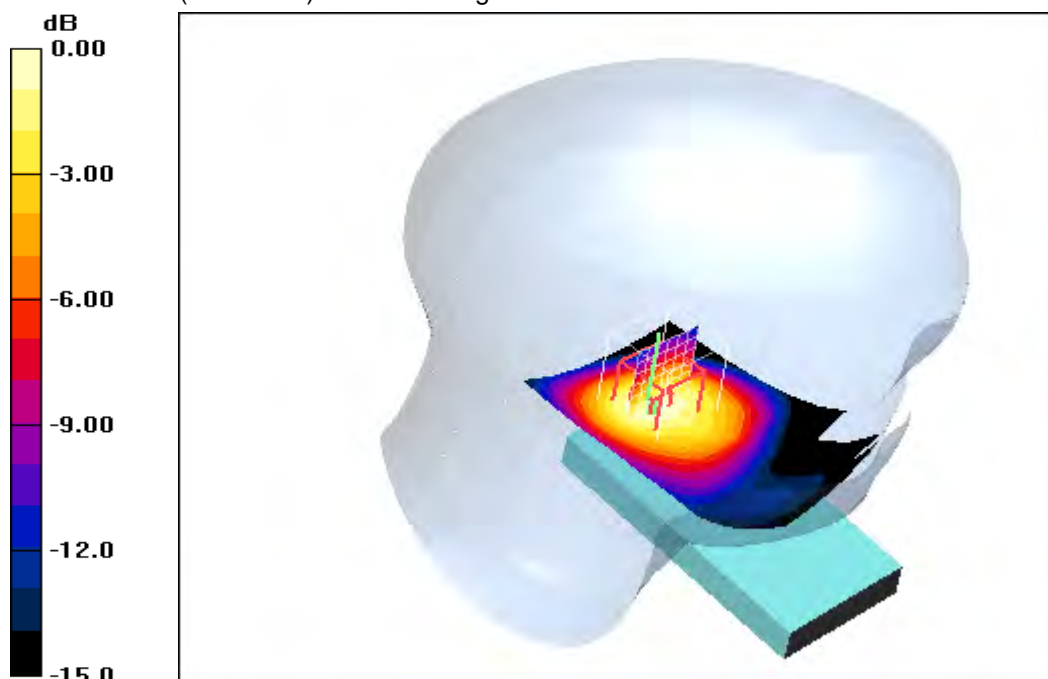
Tilt position - Low/Zoom Scan (7x7x7) (7x7x7)/Cube 0: Measurement grid: dx=5mm, dy=5mm, dz=5mm

Reference Value = 26.6 V/m; Power Drift = 0.026 dB

Peak SAR (extrapolated) = 1.18 W/kg

SAR(1 g) = 0.834 mW/g; SAR(10 g) = 0.518 mW/g

Maximum value of SAR (measured) = 0.902 mW/g



0 dB = 0.902mW/g

Additional information:

ambient temperature: 23.6°C; liquid temperature: 22.9°C

Date/Time: 25.03.2011 13:50:06 Date/Time: 25.03.2011 13:56:36

IEEE1528_OET65-LeftHandSide-WCDMA FDD II

DUT: Sony Ericsson; Type: AAD-3880111-BV; Serial: CB5A1CHJXX

Communication System: WCDMA FDD II; Frequency: 1880 MHz; Duty Cycle: 1:1

Medium: HSL1900 Medium parameters used: $f = 1880 \text{ MHz}$; $\sigma = 1.41 \text{ mho/m}$; $\epsilon_r = 39.6$; $\rho = 1000 \text{ kg/m}^3$

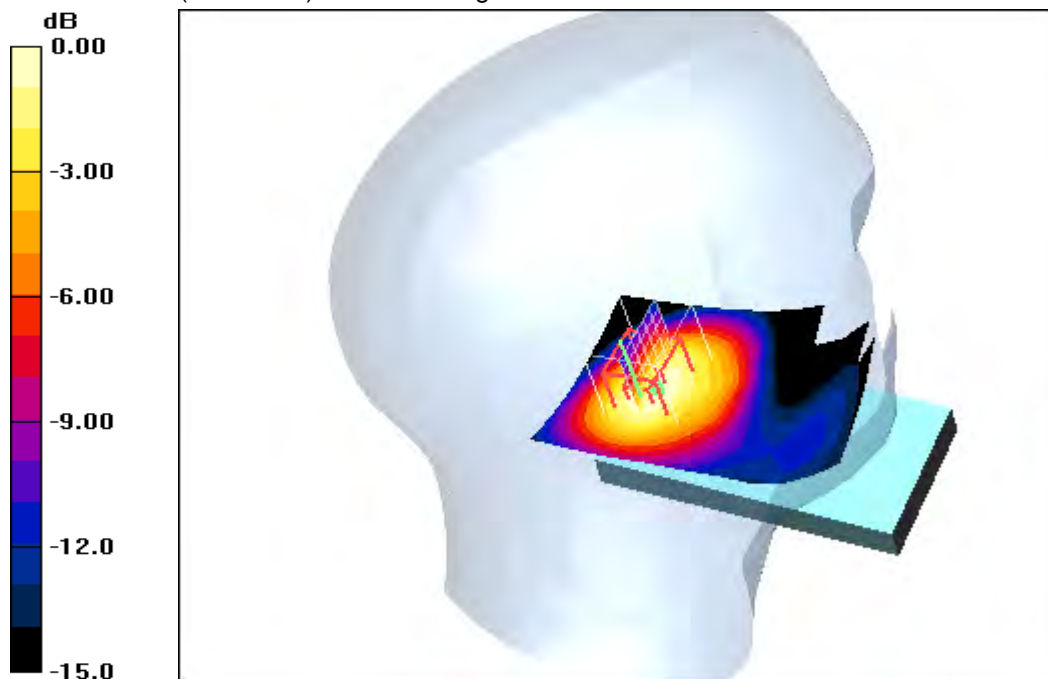
Phantom section: Left Section

DASY4 Configuration:

- Probe: ET3DV6 - SN1558; ConvF(4.76, 4.76, 4.76); Calibrated: 11.08.2010
- Sensor-Surface: 4mm (Mechanical And Optical Surface Detection)
- Electronics: DAE3 Sn413; Calibrated: 13.01.2011
- Phantom: SAM 12; Type: SAM; Serial: 1043
- Measurement SW: DASY4, V4.5 Build 19; Postprocessing SW: SEMCAD, V1.8 Build 146

Tilt position - Middle/Area Scan (51x91x1): Measurement grid: $dx=15\text{mm}$, $dy=15\text{mm}$
 Maximum value of SAR (interpolated) = 0.897 mW/g

Tilt position - Middle/Zoom Scan (7x7x7) (7x7x7)/Cube 0: Measurement grid:
 $dx=5\text{mm}$, $dy=5\text{mm}$, $dz=5\text{mm}$
 Reference Value = 26.5 V/m; Power Drift = -0.091 dB
 Peak SAR (extrapolated) = 1.17 W/kg
SAR(1 g) = 0.813 mW/g; SAR(10 g) = 0.500 mW/g
 Maximum value of SAR (measured) = 0.887 mW/g



0 dB = 0.887mW/g

Additional information:

ambient temperature: 23.6°C; liquid temperature: 22.9°C

Date/Time: 25.03.2011 14:09:36 Date/Time: 25.03.2011 14:16:08

IEEE1528_OET65-LeftHandSide-WCDMA FDD II

DUT: Sony Ericsson; Type: AAD-3880111-BV; Serial: CB5A1CHJXX

Communication System: WCDMA FDD II; Frequency: 1907.6 MHz; Duty Cycle: 1:1

Medium: HSL1900 Medium parameters used (interpolated): $f = 1907.6$ MHz; $\sigma = 1.41$ mho/m; $\epsilon_r = 39.6$; $\rho = 1000$ kg/m³

Phantom section: Left Section

DASY4 Configuration:

- Probe: ET3DV6 - SN1558; ConvF(4.76, 4.76, 4.76); Calibrated: 11.08.2010
- Sensor-Surface: 4mm (Mechanical And Optical Surface Detection)
- Electronics: DAE3 Sn413; Calibrated: 13.01.2011
- Phantom: SAM 12; Type: SAM; Serial: 1043
- Measurement SW: DASY4, V4.5 Build 19; Postprocessing SW: SEMCAD, V1.8 Build 146

Tilt position - High/Area Scan (51x91x1): Measurement grid: dx=15mm, dy=15mm

Maximum value of SAR (interpolated) = 0.776 mW/g

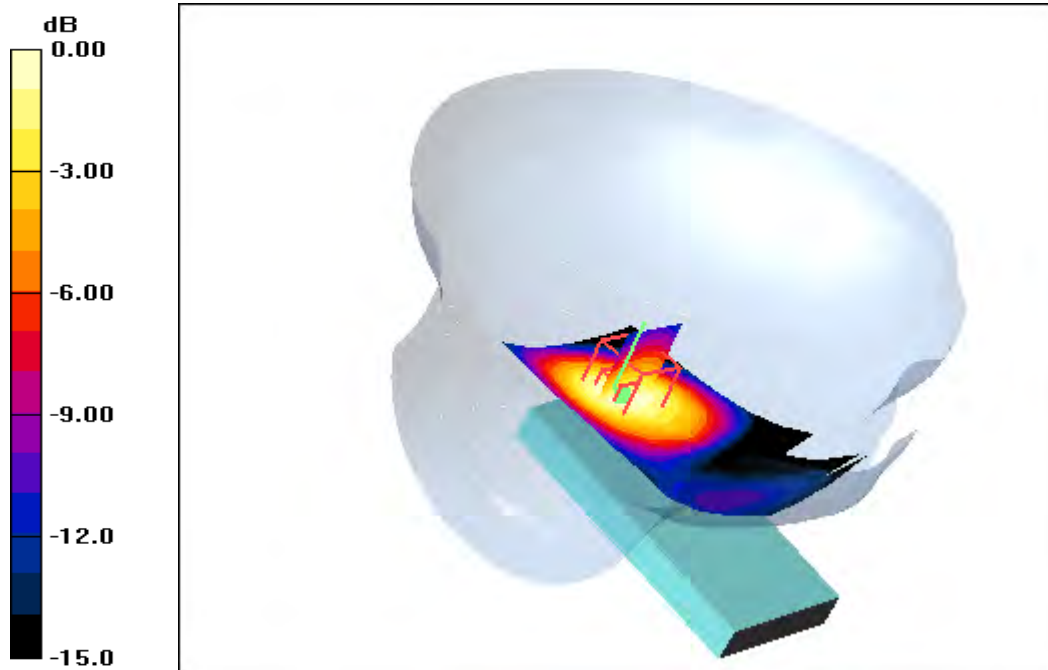
Tilt position - High/Zoom Scan (7x7x7) (7x7x7)/Cube 0: Measurement grid: dx=5mm, dy=5mm, dz=5mm

Reference Value = 24.4 V/m; Power Drift = -0.079 dB

Peak SAR (extrapolated) = 1.02 W/kg

SAR(1 g) = 0.698 mW/g; SAR(10 g) = 0.425 mW/g

Maximum value of SAR (measured) = 0.763 mW/g



0 dB = 0.763mW/g

Additional information:

ambient temperature: 23.6°C; liquid temperature: 22.9°C

Date/Time: 25.03.2011 10:27:27 Date/Time: 25.03.2011 10:37:01

IEEE1528_OET65-LeftHandSide-WCDMA FDD II slide opened

DUT: Sony Ericsson; Type: AAD-3880111-BV; Serial: CB5A1CHJXX

Communication System: WCDMA FDD II; Frequency: 1852.5 MHz; Duty Cycle: 1:1

Medium: HSL1900 Medium parameters used (interpolated): $f = 1852.5 \text{ MHz}$; $\sigma = 1.41 \text{ mho/m}$; $\epsilon_r = 39.6$; $\rho = 1000 \text{ kg/m}^3$

Phantom section: Left Section

DASY4 Configuration:

- Probe: ET3DV6 - SN1558; ConvF(4.76, 4.76, 4.76); Calibrated: 11.08.2010
- Sensor-Surface: 4mm (Mechanical And Optical Surface Detection)
- Electronics: DAE3 Sn413; Calibrated: 13.01.2011
- Phantom: SAM 12; Type: SAM; Serial: 1043
- Measurement SW: DASY4, V4.5 Build 19; Postprocessing SW: SEMCAD, V1.8 Build 146

Touch position - Low/Area Scan (81x91x1): Measurement grid: $dx=15\text{mm}$, $dy=15\text{mm}$

Maximum value of SAR (interpolated) = 0.919 mW/g

Touch position - Low/Zoom Scan (7x7x7) (7x7x7)/Cube 0: Measurement grid:

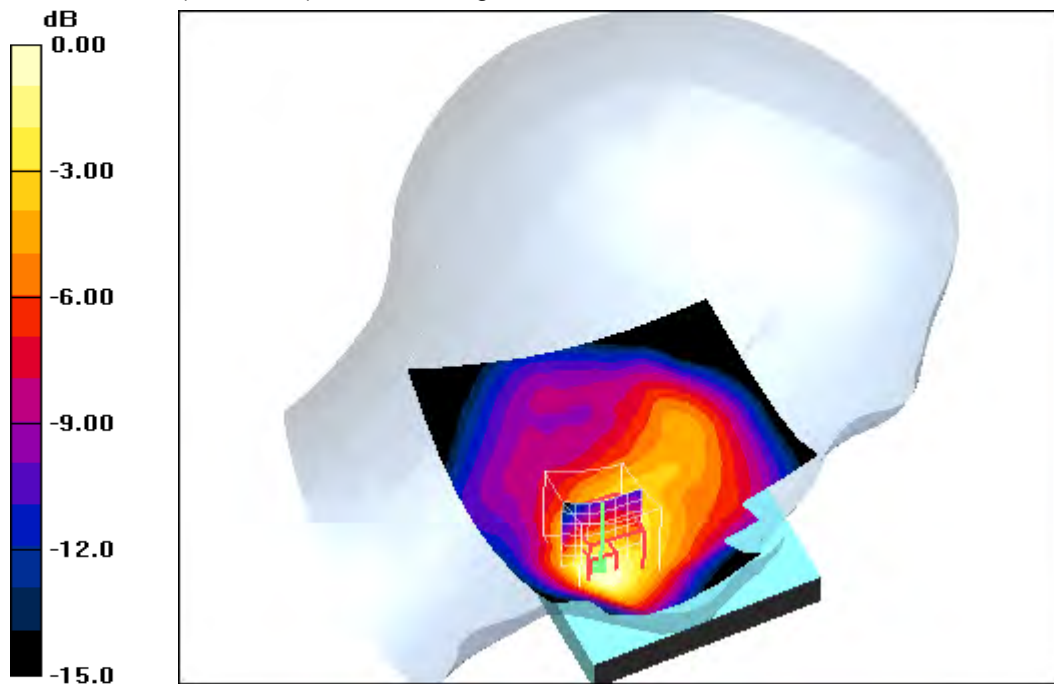
$dx=5\text{mm}$, $dy=5\text{mm}$, $dz=5\text{mm}$

Reference Value = 26.2 V/m; Power Drift = 0.044 dB

Peak SAR (extrapolated) = 1.12 W/kg

SAR(1 g) = 0.769 mW/g; SAR(10 g) = 0.468 mW/g

Maximum value of SAR (measured) = 0.847 mW/g



0 dB = 0.847mW/g

Additional information:

ambient temperature: 23.6°C; liquid temperature: 22.9°C

Date/Time: 25.03.2011 10:51:50 Date/Time: 25.03.2011 11:01:27

IEEE1528_OET65-LeftHandSide-WCDMA FDD II slide opened

DUT: Sony Ericsson; Type: AAD-3880111-BV; Serial: CB5A1CHJXX

Communication System: WCDMA FDD II; Frequency: 1880 MHz; Duty Cycle: 1:1

Medium: HSL1900 Medium parameters used: $f = 1880 \text{ MHz}$; $\sigma = 1.41 \text{ mho/m}$; $\epsilon_r = 39.6$; $\rho = 1000 \text{ kg/m}^3$

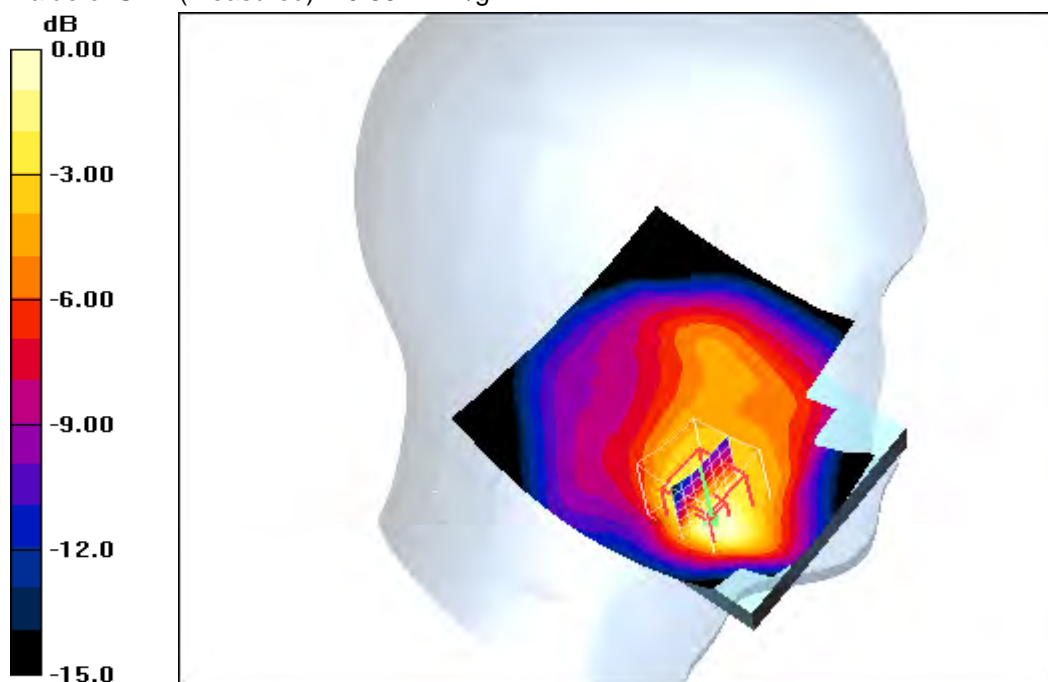
Phantom section: Left Section

DASY4 Configuration:

- Probe: ET3DV6 - SN1558; ConvF(4.76, 4.76, 4.76); Calibrated: 11.08.2010
- Sensor-Surface: 4mm (Mechanical And Optical Surface Detection)
- Electronics: DAE3 Sn413; Calibrated: 13.01.2011
- Phantom: SAM 12; Type: SAM; Serial: 1043
- Measurement SW: DASY4, V4.5 Build 19; Postprocessing SW: SEMCAD, V1.8 Build 146

Touch position - Middle/Area Scan (81x91x1): Measurement grid: $dx=15\text{mm}$, $dy=15\text{mm}$
 Maximum value of SAR (interpolated) = 0.934 mW/g

Touch position - Middle/Zoom Scan (7x7x7) (7x7x7)/Cube 0: Measurement grid:
 $dx=5\text{mm}$, $dy=5\text{mm}$, $dz=5\text{mm}$
 Reference Value = 26.8 V/m; Power Drift = -0.057 dB
 Peak SAR (extrapolated) = 1.15 W/kg
SAR(1 g) = 0.784 mW/g; SAR(10 g) = 0.474 mW/g
 Maximum value of SAR (measured) = 0.867 mW/g



0 dB = 0.867mW/g

Additional information:

ambient temperature: 23.6°C; liquid temperature: 22.9°C

Date/Time: 25.03.2011 11:16:55 Date/Time: 25.03.2011 11:26:31

IEEE1528_OET65-LeftHandSide-WCDMA FDD II slide opened

DUT: Sony Ericsson; Type: AAD-3880111-BV; Serial: CB5A1CHJXX

Communication System: WCDMA FDD II; Frequency: 1907.6 MHz; Duty Cycle: 1:1

Medium: HSL1900 Medium parameters used (interpolated): $f = 1907.6$ MHz; $\sigma = 1.41$ mho/m; $\epsilon_r = 39.6$; $\rho = 1000$ kg/m³

Phantom section: Left Section

DASY4 Configuration:

- Probe: ET3DV6 - SN1558; ConvF(4.76, 4.76, 4.76); Calibrated: 11.08.2010
- Sensor-Surface: 4mm (Mechanical And Optical Surface Detection)
- Electronics: DAE3 Sn413; Calibrated: 13.01.2011
- Phantom: SAM 12; Type: SAM; Serial: 1043
- Measurement SW: DASY4, V4.5 Build 19; Postprocessing SW: SEMCAD, V1.8 Build 146

Touch position - High/Area Scan (81x91x1): Measurement grid: dx=15mm, dy=15mm

Maximum value of SAR (interpolated) = 0.816 mW/g

Touch position - High/Zoom Scan (7x7x7) (7x7x7)/Cube 0: Measurement grid:

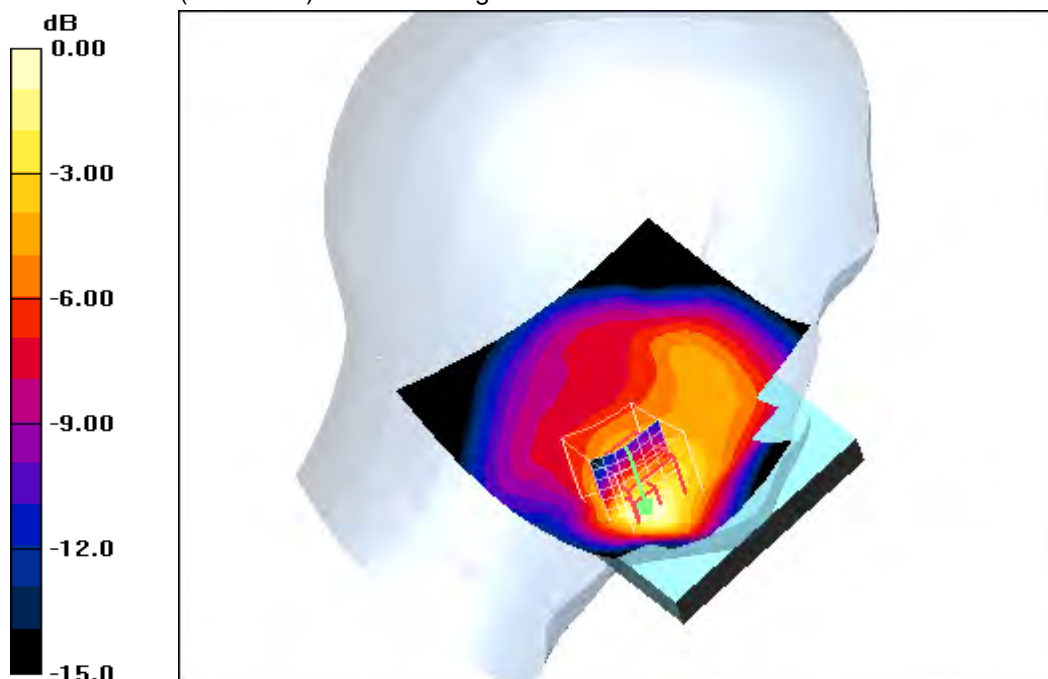
dx=5mm, dy=5mm, dz=5mm

Reference Value = 25.1 V/m; Power Drift = 0.026 dB

Peak SAR (extrapolated) = 1.01 W/kg

SAR(1 g) = 0.687 mW/g; SAR(10 g) = 0.414 mW/g

Maximum value of SAR (measured) = 0.758 mW/g



0 dB = 0.758mW/g

Additional information:

ambient temperature: 23.6°C; liquid temperature: 22.9°C

Date/Time: 25.03.2011 09:33:51 Date/Time: 25.03.2011 09:43:34 Date/Time: 25.03.2011 09:55:05

IEEE1528_OET65-LeftHandSide-WCDMA FDD II slide opened

DUT: Sony Ericsson; Type: AAD-3880111-BV; Serial: CB5A1CHJXX

Communication System: WCDMA FDD II; Frequency: 1852.5 MHz; Duty Cycle: 1:1

Medium: HSL1900 Medium parameters used (interpolated): $f = 1852.5$ MHz; $\sigma = 1.41$ mho/m; $\epsilon_r = 39.6$; $\rho = 1000$ kg/m³

Phantom section: Left Section

DASY4 Configuration:

- Probe: ET3DV6 - SN1558; ConvF(4.76, 4.76, 4.76); Calibrated: 11.08.2010
- Sensor-Surface: 4mm (Mechanical And Optical Surface Detection)
- Electronics: DAE3 Sn413; Calibrated: 13.01.2011
- Phantom: SAM 12; Type: SAM; Serial: 1043
- Measurement SW: DASY4, V4.5 Build 19; Postprocessing SW: SEMCAD, V1.8 Build 146

Tilt position - Low/Area Scan (81x91x1): Measurement grid: dx=15mm, dy=15mm

Maximum value of SAR (interpolated) = 0.271 mW/g

Tilt position - Low/Zoom Scan (7x7x7) (7x7x7)/Cube 0: Measurement grid: dx=5mm, dy=5mm, dz=5mm

Reference Value = 14.3 V/m; Power Drift = -0.036 dB

Peak SAR (extrapolated) = 0.327 W/kg

Peak SAR (extrapolated) = 0.327 W/kg

SAR(1 g) = 0.241 mW/g; SAR(10 g) = 0.155 mW/g

Maximum value of SAR (measured) = 0.261 mW/g

Tilt position - Low/Zoom Scan (7x7x7) (7x7x7)/Cube 1: Measurement grid: dx=5mm, dy=5mm, dz=5mm

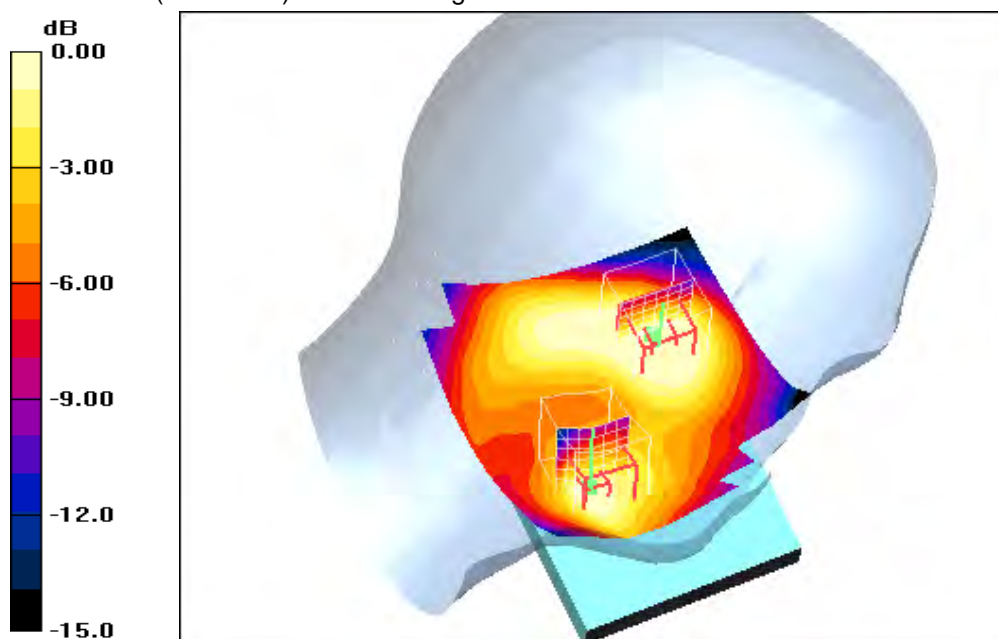
Reference Value = 14.3 V/m; Power Drift = -0.036 dB

Peak SAR (extrapolated) = 0.225 W/kg

Peak SAR (extrapolated) = 0.225 W/kg

SAR(1 g) = 0.171 mW/g; SAR(10 g) = 0.114 mW/g

Maximum value of SAR (measured) = 0.182 mW/g



Additional information:

ambient temperature: 23.6°C; liquid temperature: 22.9°C

Date/Time: 25.03.2011 08:58:26 Date/Time: 25.03.2011 09:08:10 Date/Time: 25.03.2011 09:19:42

IEEE1528_OET65-LeftHandSide-WCDMA FDD II slide opened**DUT: Sony Ericsson; Type: AAD-3880111-BV; Serial: CB5A1CHJXX**

Communication System: WCDMA FDD II; Frequency: 1880 MHz; Duty Cycle: 1:1

Medium: HSL1900 Medium parameters used: $f = 1880$ MHz; $\sigma = 1.41$ mho/m; $\epsilon_r = 39.6$; $\rho = 1000$ kg/m³

Phantom section: Left Section

DASY4 Configuration:

- Probe: ET3DV6 - SN1558; ConvF(4.76, 4.76, 4.76); Calibrated: 11.08.2010
- Sensor-Surface: 4mm (Mechanical And Optical Surface Detection)
- Electronics: DAE3 Sn413; Calibrated: 13.01.2011
- Phantom: SAM 12; Type: SAM; Serial: 1043
- Measurement SW: DASY4, V4.5 Build 19; Postprocessing SW: SEMCAD, V1.8 Build 146

Tilt position - Middle/Area Scan (81x91x1): Measurement grid: dx=15mm, dy=15mm
 Maximum value of SAR (interpolated) = 0.273 mW/g

Tilt position - Middle/Zoom Scan (7x7x7) (7x7x7)/Cube 0: Measurement grid:
 dx=5mm, dy=5mm, dz=5mm

Reference Value = 13.8 V/m; Power Drift = 0.046 dB

Peak SAR (extrapolated) = 0.320 W/kg

SAR(1 g) = 0.231 mW/g; SAR(10 g) = 0.148 mW/g

Maximum value of SAR (measured) = 0.251 mW/g

Tilt position - Middle/Zoom Scan (7x7x7) (7x7x7)/Cube 1: Measurement grid:

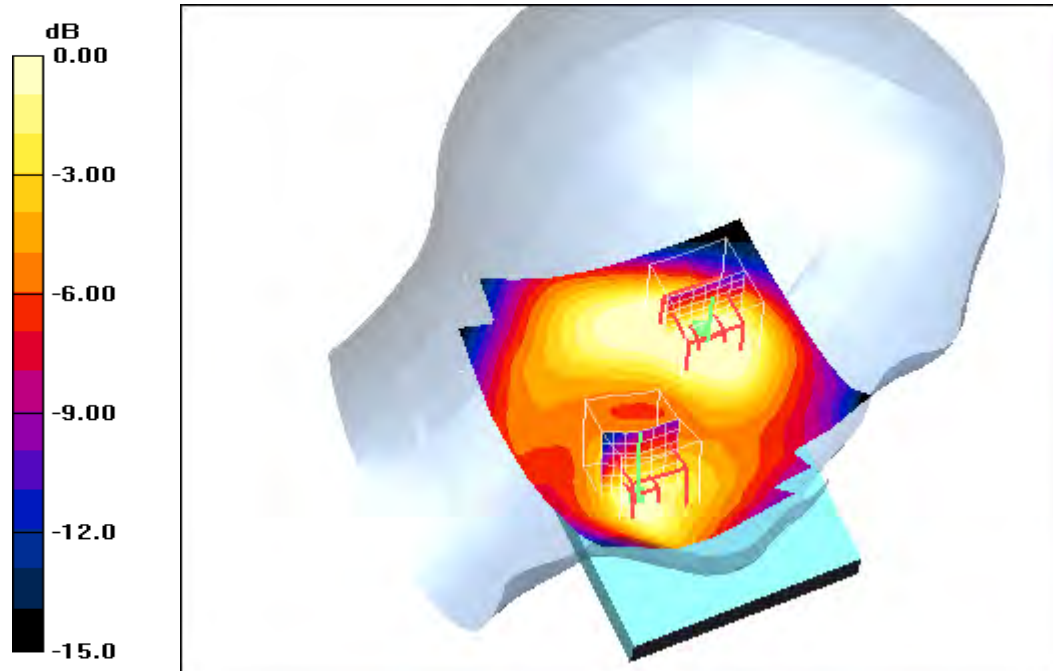
dx=5mm, dy=5mm, dz=5mm

Reference Value = 13.8 V/m; Power Drift = 0.046 dB

Peak SAR (extrapolated) = 0.238 W/kg

SAR(1 g) = 0.179 mW/g; SAR(10 g) = 0.117 mW/g

Maximum value of SAR (measured) = 0.191 mW/g



0 dB = 0.191mW/g

Additional information:

ambient temperature: 23.6°C; liquid temperature: 22.9°C

Date/Time: 25.03.2011 08:23:10 Date/Time: 25.03.2011 08:32:53 Date/Time: 25.03.2011 08:44:01

IEEE1528_OET65-LeftHandSide-WCDMA FDD II slide opened

DUT: Sony Ericsson; Type: AAD-3880111-BV; Serial: CB5A1CHJXX

Communication System: WCDMA FDD II; Frequency: 1907.6 MHz; Duty Cycle: 1:1

Medium: HSL1900 Medium parameters used (interpolated): $f = 1907.6 \text{ MHz}$; $\sigma = 1.41 \text{ mho/m}$; $\epsilon_r = 39.6$; $\rho = 1000 \text{ kg/m}^3$

Phantom section: Left Section

DASY4 Configuration:

- Probe: ET3DV6 - SN1558; ConvF(4.76, 4.76, 4.76); Calibrated: 11.08.2010
- Sensor-Surface: 4mm (Mechanical And Optical Surface Detection)
- Electronics: DAE3 Sn413; Calibrated: 13.01.2011
- Phantom: SAM 12; Type: SAM; Serial: 1043
- Measurement SW: DASY4, V4.5 Build 19; Postprocessing SW: SEMCAD, V1.8 Build 146

Tilt position - High/Area Scan (81x91x1): Measurement grid: $dx=15\text{mm}$, $dy=15\text{mm}$
 Maximum value of SAR (interpolated) = 0.240 mW/g

Tilt position - High/Zoom Scan (7x7x7) (7x7x7)/Cube 0: Measurement grid: $dx=5\text{mm}$, $dy=5\text{mm}$, $dz=5\text{mm}$

Reference Value = 13.0 V/m; Power Drift = -0.091 dB

Peak SAR (extrapolated) = 0.282 W/kg

SAR(1 g) = 0.202 mW/g; SAR(10 g) = 0.131 mW/g

Maximum value of SAR (measured) = 0.219 mW/g

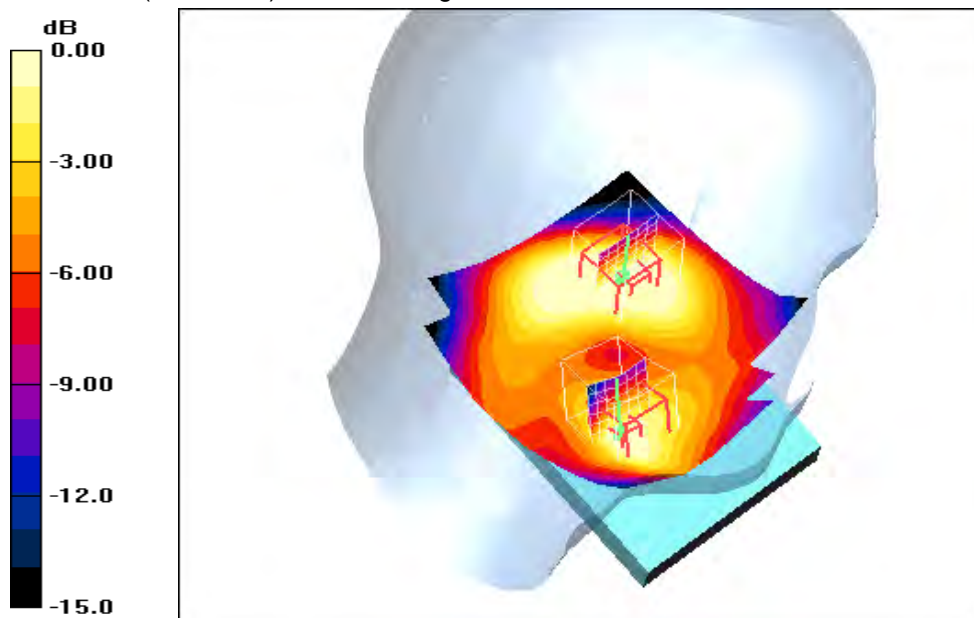
Tilt position - High/Zoom Scan (7x7x7) (7x7x7)/Cube 1: Measurement grid: $dx=5\text{mm}$, $dy=5\text{mm}$, $dz=5\text{mm}$

Reference Value = 13.0 V/m; Power Drift = -0.091 dB

Peak SAR (extrapolated) = 0.216 W/kg

SAR(1 g) = 0.160 mW/g; SAR(10 g) = 0.104 mW/g

Maximum value of SAR (measured) = 0.172 mW/g



0 dB = 0.172mW/g

Additional information:

ambient temperature: 23.6°C; liquid temperature: 22.9°C

Date/Time: 24.03.2011 17:33:52 Date/Time: 24.03.2011 17:40:05

IEEE1528_OET65-RightHandSide-WCDMA FDD II

DUT: Sony Ericsson; Type: AAD-3880111-BV; Serial: CB5A1CHJXX

Communication System: WCDMA FDD II; Frequency: 1852.5 MHz; Duty Cycle: 1:1

Medium: HSL1900 Medium parameters used (interpolated): $f = 1852.5$ MHz; $\sigma = 1.41$ mho/m; $\epsilon_r = 39.6$; $\rho = 1000$ kg/m³

Phantom section: Right Section

DASY4 Configuration:

- Probe: ET3DV6 - SN1558; ConvF(4.76, 4.76, 4.76); Calibrated: 11.08.2010
- Sensor-Surface: 4mm (Mechanical And Optical Surface Detection)
- Electronics: DAE3 Sn413; Calibrated: 13.01.2011
- Phantom: SAM 12; Type: SAM; Serial: 1043
- Measurement SW: DASY4, V4.5 Build 19; Postprocessing SW: SEMCAD, V1.8 Build 146

Touch position - Low/Area Scan (51x91x1): Measurement grid: dx=15mm, dy=15mm

Maximum value of SAR (interpolated) = 0.682 mW/g

Touch position - Low/Zoom Scan (7x7x7) (7x7x7)/Cube 0: Measurement grid:

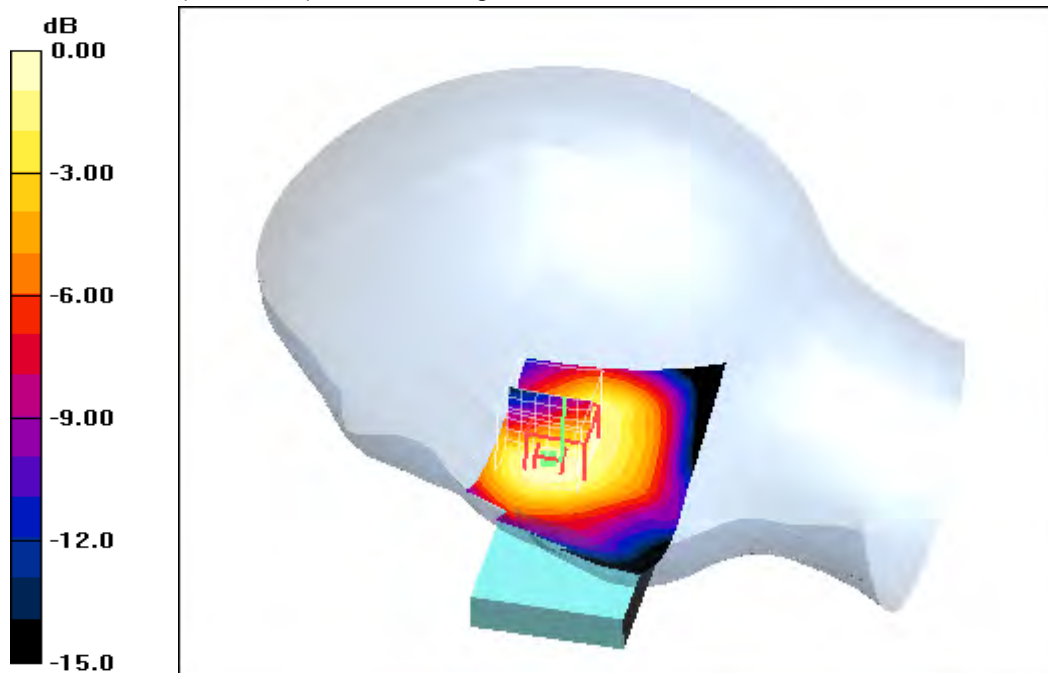
dx=5mm, dy=5mm, dz=5mm

Reference Value = 22.2 V/m; Power Drift = 0.042 dB

Peak SAR (extrapolated) = 0.940 W/kg

SAR(1 g) = 0.627 mW/g; SAR(10 g) = 0.420 mW/g

Maximum value of SAR (measured) = 0.669 mW/g



0 dB = 0.669mW/g

Additional information:

ambient temperature: 22.9 °C; liquid temperature: 22.1°C

Date/Time: 24.03.2011 17:53:12 Date/Time: 24.03.2011 17:59:24

IEEE1528_OET65-RightHandSide-WCDMA FDD II**DUT: Sony Ericsson; Type: AAD-3880111-BV; Serial: CB5A1CHJXX**

Communication System: WCDMA FDD II; Frequency: 1880 MHz; Duty Cycle: 1:1

Medium: HSL1900 Medium parameters used: $f = 1880$ MHz; $\sigma = 1.41$ mho/m; $\epsilon_r = 39.6$; $\rho = 1000$ kg/m³

Phantom section: Right Section

DASY4 Configuration:

- Probe: ET3DV6 - SN1558; ConvF(4.76, 4.76, 4.76); Calibrated: 11.08.2010
- Sensor-Surface: 4mm (Mechanical And Optical Surface Detection)
- Electronics: DAE3 Sn413; Calibrated: 13.01.2011
- Phantom: SAM 12; Type: SAM; Serial: 1043
- Measurement SW: DASY4, V4.5 Build 19; Postprocessing SW: SEMCAD, V1.8 Build 146

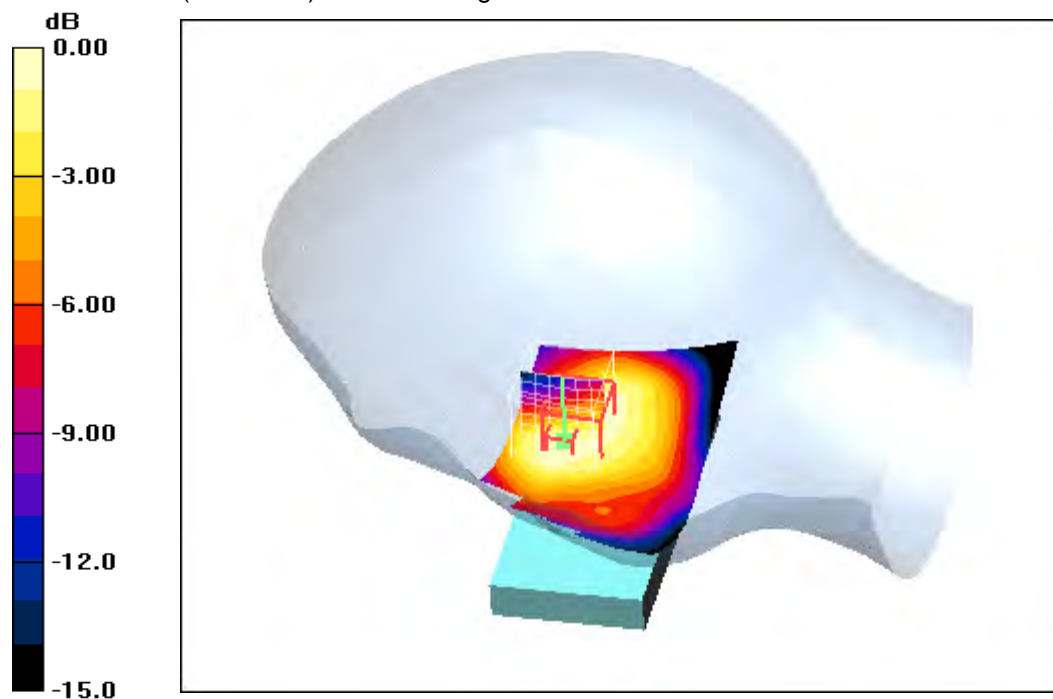
Touch position - Middle/Area Scan (51x91x1): Measurement grid: dx=15mm, dy=15mm
Maximum value of SAR (interpolated) = 0.621 mW/g**Touch position - Middle/Zoom Scan (7x7x7) (7x7x7)/Cube 0:** Measurement grid:
dx=5mm, dy=5mm, dz=5mm

Reference Value = 21.6 V/m; Power Drift = -0.120 dB

Peak SAR (extrapolated) = 0.884 W/kg

SAR(1 g) = 0.554 mW/g; SAR(10 g) = 0.373 mW/g

Maximum value of SAR (measured) = 0.601 mW/g



0 dB = 0.601mW/g

Additional information:

ambient temperature: 22.9 °C; liquid temperature: 22.1 °C

Date/Time: 24.03.2011 18:15:12 Date/Time: 24.03.2011 18:21:25

IEEE1528_OET65-RightHandSide-WCDMA FDD II

DUT: Sony Ericsson; Type: AAD-3880111-BV; Serial: CB5A1CHJXX

Communication System: WCDMA FDD II; Frequency: 1907.6 MHz; Duty Cycle: 1:1

Medium: HSL1900 Medium parameters used (interpolated): $f = 1907.6$ MHz; $\sigma = 1.41$ mho/m; $\epsilon_r = 39.6$; $\rho = 1000$ kg/m³

Phantom section: Right Section

DASY4 Configuration:

- Probe: ET3DV6 - SN1558; ConvF(4.76, 4.76, 4.76); Calibrated: 11.08.2010
- Sensor-Surface: 4mm (Mechanical And Optical Surface Detection)
- Electronics: DAE3 Sn413; Calibrated: 13.01.2011
- Phantom: SAM 12; Type: SAM; Serial: 1043
- Measurement SW: DASY4, V4.5 Build 19; Postprocessing SW: SEMCAD, V1.8 Build 146

Touch position - High/Area Scan (51x91x1): Measurement grid: dx=15mm, dy=15mm

Maximum value of SAR (interpolated) = 0.497 mW/g

Touch position - High/Zoom Scan (7x7x7) (7x7x7)/Cube 0: Measurement grid:

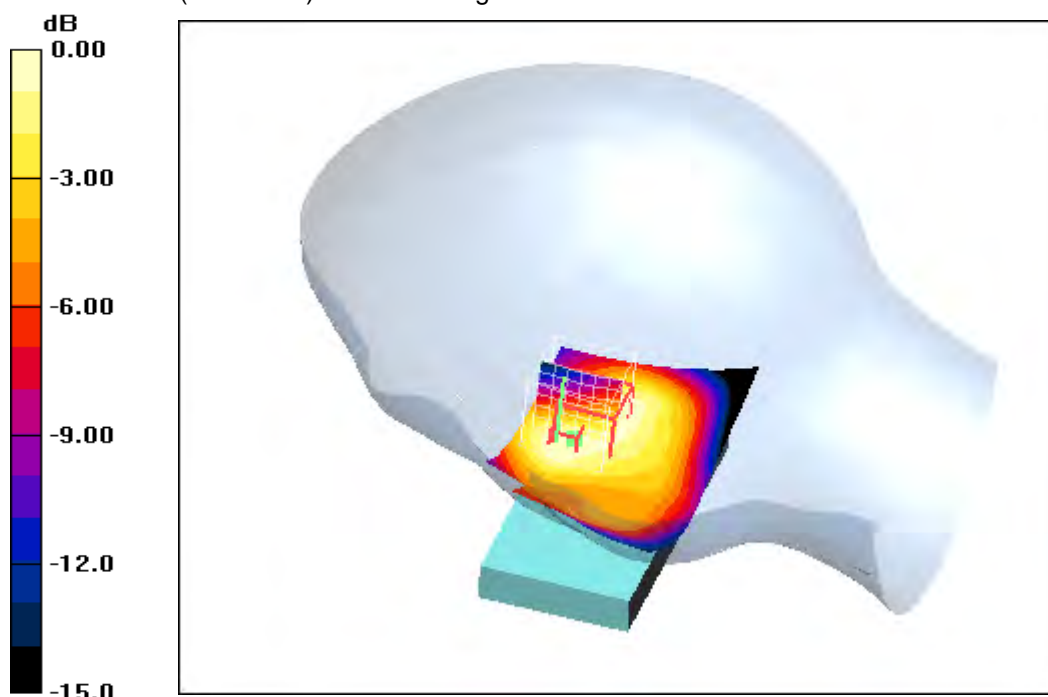
dx=5mm, dy=5mm, dz=5mm

Reference Value = 19.3 V/m; Power Drift = -0.025 dB

Peak SAR (extrapolated) = 0.712 W/kg

SAR(1 g) = 0.436 mW/g; SAR(10 g) = 0.290 mW/g

Maximum value of SAR (measured) = 0.469 mW/g



0 dB = 0.469mW/g

Additional information:

ambient temperature: 22.9 °C; liquid temperature: 22.1°C

Date/Time: 24.03.2011 16:31:36 Date/Time: 24.03.2011 16:37:59

IEEE1528_OET65-RightHandSide-WCDMA FDD II

DUT: Sony Ericsson; Type: AAD-3880111-BV; Serial: CB5A1CHJXX

Communication System: WCDMA FDD II; Frequency: 1852.5 MHz; Duty Cycle: 1:1

Medium: HSL1900 Medium parameters used (interpolated): $f = 1852.5 \text{ MHz}$; $\sigma = 1.41 \text{ mho/m}$; $\epsilon_r = 39.6$; $\rho = 1000 \text{ kg/m}^3$

Phantom section: Right Section

DASY4 Configuration:

- Probe: ET3DV6 - SN1558; ConvF(4.76, 4.76, 4.76); Calibrated: 11.08.2010
- Sensor-Surface: 4mm (Mechanical And Optical Surface Detection)
- Electronics: DAE3 Sn413; Calibrated: 13.01.2011
- Phantom: SAM 12; Type: SAM; Serial: 1043
- Measurement SW: DASY4, V4.5 Build 19; Postprocessing SW: SEMCAD, V1.8 Build 146

Tilt position - Low/Area Scan (51x91x1): Measurement grid: $dx=15\text{mm}$, $dy=15\text{mm}$

Maximum value of SAR (interpolated) = 1.13 mW/g

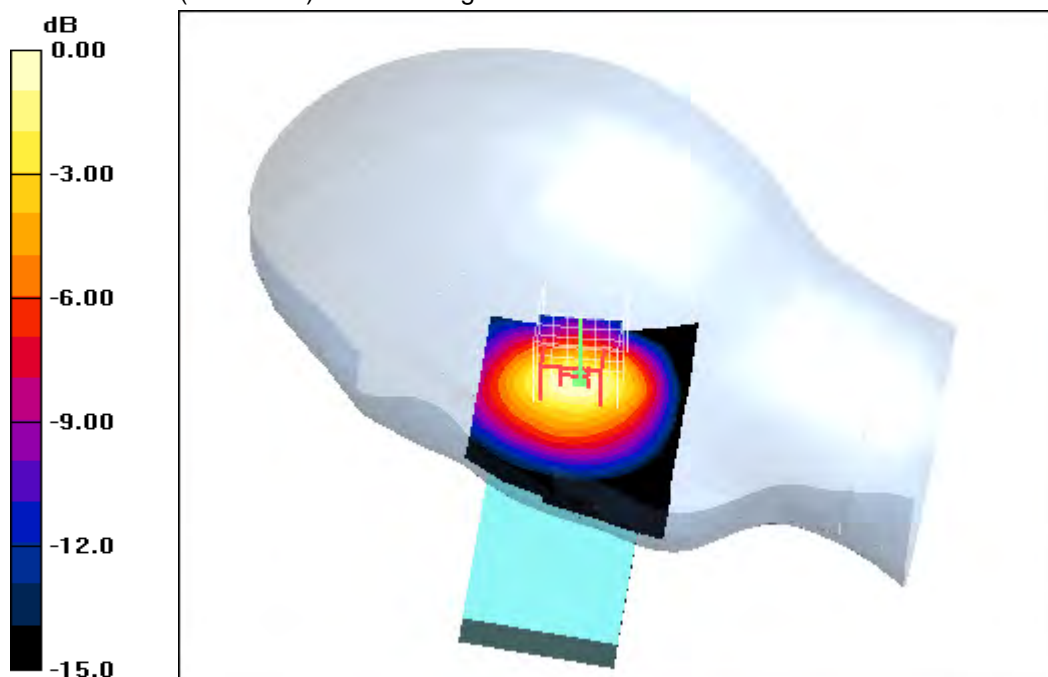
Tilt position - Low/Zoom Scan (7x7x7) (7x7x7)/Cube 0: Measurement grid: $dx=5\text{mm}$, $dy=5\text{mm}$, $dz=5\text{mm}$

Reference Value = 29.2 V/m; Power Drift = -0.066 dB

Peak SAR (extrapolated) = 1.46 W/kg

SAR(1 g) = 1.03 mW/g; SAR(10 g) = 0.623 mW/g

Maximum value of SAR (measured) = 1.14 mW/g



0 dB = 1.14mW/g

Additional information:

ambient temperature: 22.9 °C; liquid temperature: 22.1°C

Date/Time: 24.03.2011 16:51:02 Date/Time: 24.03.2011 16:57:24

IEEE1528_OET65-RightHandSide-WCDMA FDD II

DUT: Sony Ericsson; Type: AAD-3880111-BV; Serial: CB5A1CHJXX

Communication System: WCDMA FDD II; Frequency: 1880 MHz; Duty Cycle: 1:1

Medium: HSL1900 Medium parameters used: $f = 1880 \text{ MHz}$; $\sigma = 1.41 \text{ mho/m}$; $\epsilon_r = 39.6$; $\rho = 1000 \text{ kg/m}^3$

Phantom section: Right Section

DASY4 Configuration:

- Probe: ET3DV6 - SN1558; ConvF(4.76, 4.76, 4.76); Calibrated: 11.08.2010
- Sensor-Surface: 4mm (Mechanical And Optical Surface Detection)
- Electronics: DAE3 Sn413; Calibrated: 13.01.2011
- Phantom: SAM 12; Type: SAM; Serial: 1043
- Measurement SW: DASY4, V4.5 Build 19; Postprocessing SW: SEMCAD, V1.8 Build 146

Tilt position - Middle/Area Scan (51x91x1): Measurement grid: $dx=15\text{mm}$, $dy=15\text{mm}$

Maximum value of SAR (interpolated) = 1.13 mW/g

Tilt position - Middle/Zoom Scan (7x7x7) (7x7x7)/Cube 0: Measurement grid:

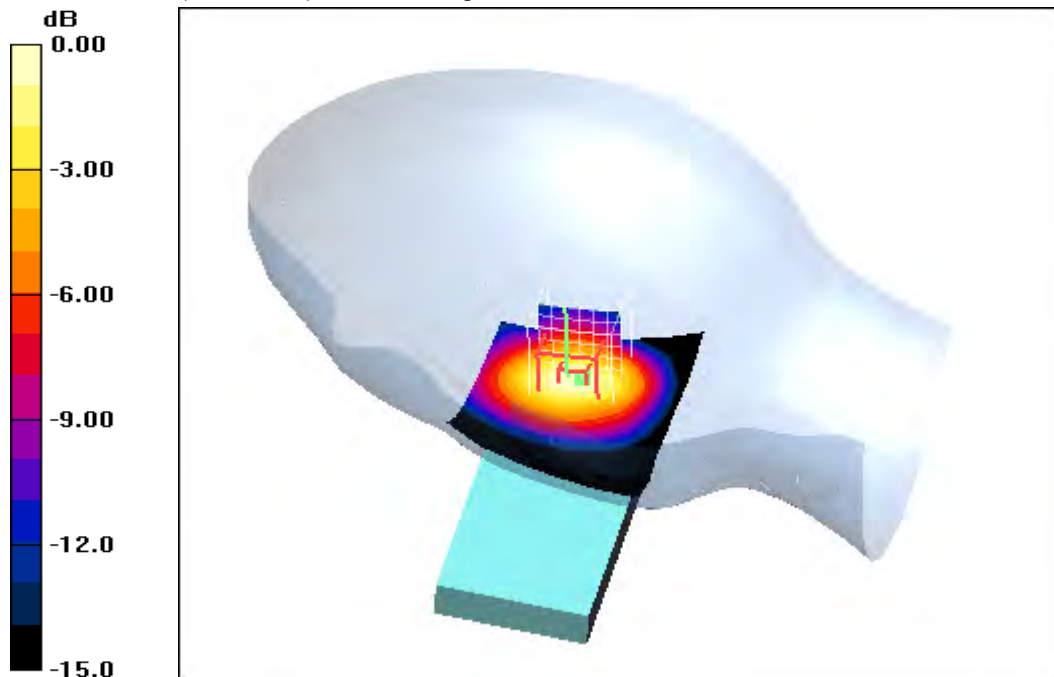
$dx=5\text{mm}$, $dy=5\text{mm}$, $dz=5\text{mm}$

Reference Value = 28.8 V/m; Power Drift = -0.035 dB

Peak SAR (extrapolated) = 1.45 W/kg

SAR(1 g) = 1.02 mW/g; SAR(10 g) = 0.611 mW/g

Maximum value of SAR (measured) = 1.13 mW/g



0 dB = 1.13mW/g

Additional information:

ambient temperature: 22.9 °C; liquid temperature: 22.1°C

Date/Time: 24.03.2011 17:10:33 Date/Time: 24.03.2011 17:16:58

IEEE1528_OET65-RightHandSide-WCDMA FDD II

DUT: Sony Ericsson; Type: AAD-3880111-BV; Serial: CB5A1CHJXX

Communication System: WCDMA FDD II; Frequency: 1907.6 MHz; Duty Cycle: 1:1

Medium: HSL1900 Medium parameters used (interpolated): $f = 1907.6$ MHz; $\sigma = 1.41$ mho/m; $\epsilon_r = 39.6$; $\rho = 1000$ kg/m³

Phantom section: Right Section

DASY4 Configuration:

- Probe: ET3DV6 - SN1558; ConvF(4.76, 4.76, 4.76); Calibrated: 11.08.2010
- Sensor-Surface: 4mm (Mechanical And Optical Surface Detection)
- Electronics: DAE3 Sn413; Calibrated: 13.01.2011
- Phantom: SAM 12; Type: SAM; Serial: 1043
- Measurement SW: DASY4, V4.5 Build 19; Postprocessing SW: SEMCAD, V1.8 Build 146

Tilt position - High/Area Scan (51x91x1): Measurement grid: dx=15mm, dy=15mm

Maximum value of SAR (interpolated) = 0.951 mW/g

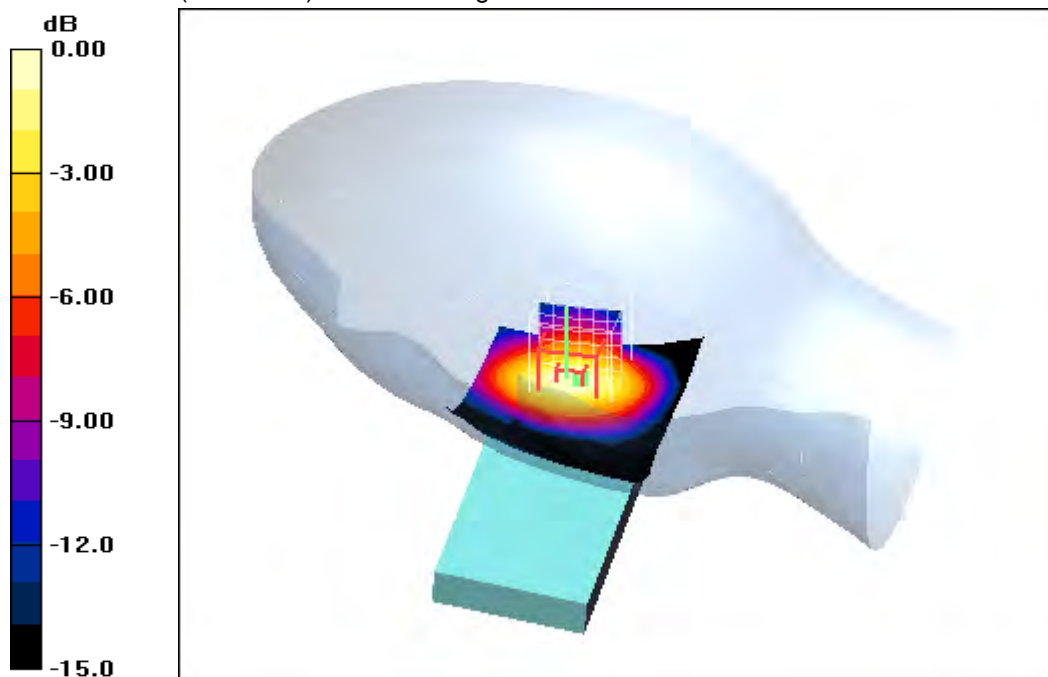
Tilt position - High/Zoom Scan (7x7x7) (7x7x7)/Cube 0: Measurement grid: dx=5mm, dy=5mm, dz=5mm

Reference Value = 26.5 V/m; Power Drift = -0.050 dB

Peak SAR (extrapolated) = 1.27 W/kg

SAR(1 g) = 0.870 mW/g; SAR(10 g) = 0.516 mW/g

Maximum value of SAR (measured) = 0.953 mW/g



0 dB = 0.953mW/g

Additional information:

ambient temperature: 22.9 °C; liquid temperature: 22.1°C

Date/Time: 24.03.2011 20:12:53 Date/Time: 24.03.2011 20:22:02 Date/Time: 24.03.2011

IEEE1528_OET65-RightHandSide-WCDMA FDD II slide opened**DUT: Sony Ericsson; Type: AAD-3880111-BV; Serial: CB5A1CHJXX**

Communication System: WCDMA FDD II; Frequency: 1852.5 MHz; Duty Cycle: 1:1

Medium: HSL1900 Medium parameters used (interpolated): $f = 1852.5$ MHz; $\sigma = 1.41$ mho/m; $\epsilon_r = 39.6$; $\rho = 1000$ kg/m³

Phantom section: Right Section

DASY4 Configuration:

- Probe: ET3DV6 - SN1558; ConvF(4.76, 4.76, 4.76); Calibrated: 11.08.2010
- Sensor-Surface: 4mm (Mechanical And Optical Surface Detection)
- Electronics: DAE3 Sn413; Calibrated: 13.01.2011
- Phantom: SAM 12; Type: SAM; Serial: 1043
- Measurement SW: DASY4, V4.5 Build 19; Postprocessing SW: SEMCAD, V1.8 Build 146

Touch position - Low/Area Scan (81x91x1): Measurement grid: $dx=15$ mm, $dy=15$ mm
 Maximum value of SAR (interpolated) = 0.367 mW/g

Touch position - Low/Zoom Scan (7x7x7) (7x7x7)/Cube 0: Measurement grid:
 $dx=5$ mm, $dy=5$ mm, $dz=5$ mm

Reference Value = 16.6 V/m; Power Drift = -0.060 dB

Peak SAR (extrapolated) = 0.434 W/kg

SAR(1 g) = 0.325 mW/g; SAR(10 g) = 0.218 mW/g

Maximum value of SAR (measured) = 0.354 mW/g

Touch position - Low/Zoom Scan (7x7x7) (7x7x7)/Cube 1: Measurement grid:
 $dx=5$ mm, $dy=5$ mm, $dz=5$ mm

Reference Value = 16.6 V/m; Power Drift = -0.060 dB

Peak SAR (extrapolated) = 0.331 W/kg

SAR(1 g) = 0.234 mW/g; SAR(10 g) = 0.162 mW/g

Maximum value of SAR (measured) = 0.252 mW/g

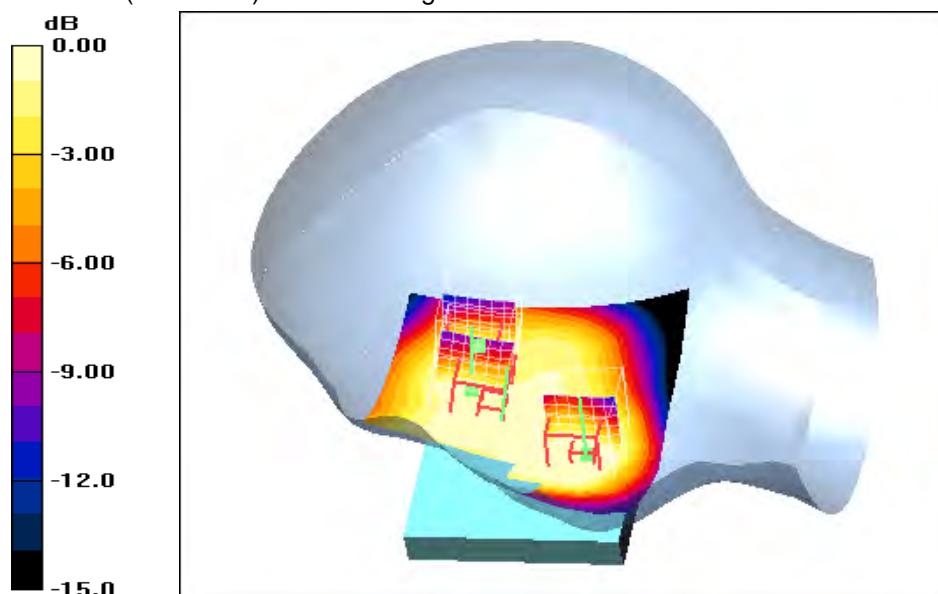
Touch position - Low/Zoom Scan (7x7x7) (7x7x7)/Cube 2: Measurement grid:
 $dx=5$ mm, $dy=5$ mm, $dz=5$ mm

Reference Value = 16.6 V/m; Power Drift = -0.060 dB

Peak SAR (extrapolated) = 0.331 W/kg

SAR(1 g) = 0.231 mW/g; SAR(10 g) = 0.144 mW/g

Maximum value of SAR (measured) = 0.248 mW/g



0 dB = 0.248mW/g

Additional information:

ambient temperature: 22.1 °C; liquid temperature: 22.1 °C

Date/Time: 24.03.2011 19:35:00 Date/Time: 24.03.2011 19:44:06 Date/Time: 24.03.2011 19:56:02

IEEE1528_OET65-RightHandSide-WCDMA FDD II slide opened

DUT: Sony Ericsson; Type: AAD-3880111-BV; Serial: CB5A1CHJXX

Communication System: WCDMA FDD II; Frequency: 1880 MHz; Duty Cycle: 1:1

Medium: HSL1900 Medium parameters used: $f = 1880 \text{ MHz}$; $\sigma = 1.41 \text{ mho/m}$; $\epsilon_r = 39.6$; $\rho = 1000 \text{ kg/m}^3$

Phantom section: Right Section

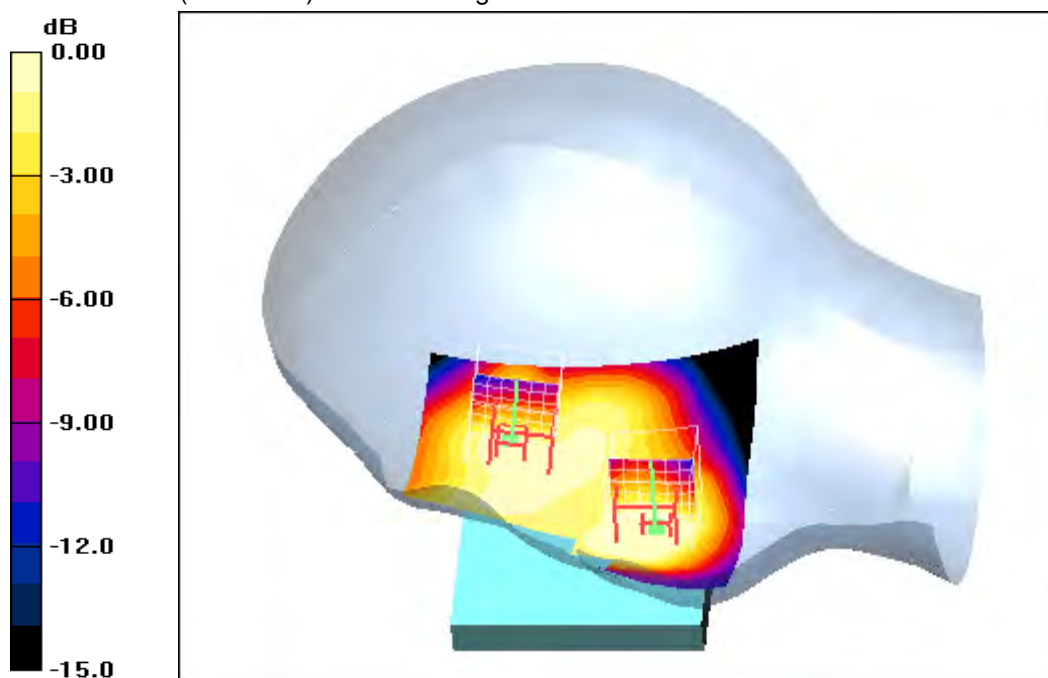
DASY4 Configuration:

- Probe: ET3DV6 - SN1558; ConvF(4.76, 4.76, 4.76); Calibrated: 11.08.2010
- Sensor-Surface: 4mm (Mechanical And Optical Surface Detection)
- Electronics: DAE3 Sn413; Calibrated: 13.01.2011
- Phantom: SAM 12; Type: SAM; Serial: 1043
- Measurement SW: DASY4, V4.5 Build 19; Postprocessing SW: SEMCAD, V1.8 Build 146

Touch position - Middle/Area Scan (81x91x1): Measurement grid: $dx=15\text{mm}$, $dy=15\text{mm}$
 Maximum value of SAR (interpolated) = 0.393 mW/g

Touch position - Middle/Zoom Scan (7x7x7) (7x7x7)/Cube 0: Measurement grid:
 $dx=5\text{mm}$, $dy=5\text{mm}$, $dz=5\text{mm}$
 Reference Value = 17.3 V/m; Power Drift = 0.058 dB
 Peak SAR (extrapolated) = 0.468 W/kg
SAR(1 g) = 0.347 mW/g; SAR(10 g) = 0.228 mW/g
 Maximum value of SAR (measured) = 0.381 mW/g

Touch position - Middle/Zoom Scan (7x7x7) (7x7x7)/Cube 1: Measurement grid:
 $dx=5\text{mm}$, $dy=5\text{mm}$, $dz=5\text{mm}$
 Reference Value = 17.3 V/m; Power Drift = 0.058 dB
 Peak SAR (extrapolated) = 0.352 W/kg
SAR(1 g) = 0.250 mW/g; SAR(10 g) = 0.169 mW/g
 Maximum value of SAR (measured) = 0.269 mW/g



0 dB = 0.269mW/g

Additional information:

ambient temperature: 22.1 °C; liquid temperature: 22.1 °C

Date/Time: 24.03.2011 18:47:49 Date/Time: 24.03.2011 18:56:51 Date/Time: 24.03.2011

IEEE1528_OET65-RightHandSide-WCDMA FDD II slide opened**DUT: Sony Ericsson; Type: AAD-3880111-BV; Serial: CB5A1CHJXX**

Communication System: WCDMA FDD II; Frequency: 1907.6 MHz; Duty Cycle: 1:1

Medium: HSL1900 Medium parameters used (interpolated): $f = 1907.6$ MHz; $\sigma = 1.41$ mho/m; $\epsilon_r = 39.6$; $\rho = 1000$ kg/m³

Phantom section: Right Section

DASY4 Configuration:

- Probe: ET3DV6 - SN1558; ConvF(4.76, 4.76, 4.76); Calibrated: 11.08.2010
- Sensor-Surface: 4mm (Mechanical And Optical Surface Detection)
- Electronics: DAE3 Sn413; Calibrated: 13.01.2011
- Phantom: SAM 12; Type: SAM; Serial: 1043
- Measurement SW: DASY4, V4.5 Build 19; Postprocessing SW: SEMCAD, V1.8 Build 146

Touch position - High/Area Scan (81x91x1): Measurement grid: dx=15mm, dy=15mm

Maximum value of SAR (interpolated) = 0.383 mW/g

Touch position - High/Zoom Scan (7x7x7) (7x7x7)/Cube 0: Measurement grid:

dx=5mm, dy=5mm, dz=5mm

Reference Value = 17.3 V/m; Power Drift = -0.078 dB

Peak SAR (extrapolated) = 0.470 W/kg

SAR(1 g) = 0.338 mW/g; SAR(10 g) = 0.218 mW/g

Maximum value of SAR (measured) = 0.378 mW/g

Touch position - High/Zoom Scan (7x7x7) (7x7x7)/Cube 1: Measurement grid:

dx=5mm, dy=5mm, dz=5mm

Reference Value = 17.3 V/m; Power Drift = -0.078 dB

Peak SAR (extrapolated) = 0.330 W/kg

SAR(1 g) = 0.236 mW/g; SAR(10 g) = 0.160 mW/g

Maximum value of SAR (measured) = 0.252 mW/g

Touch position - High/Zoom Scan (7x7x7) (7x7x7)/Cube 2: Measurement grid:

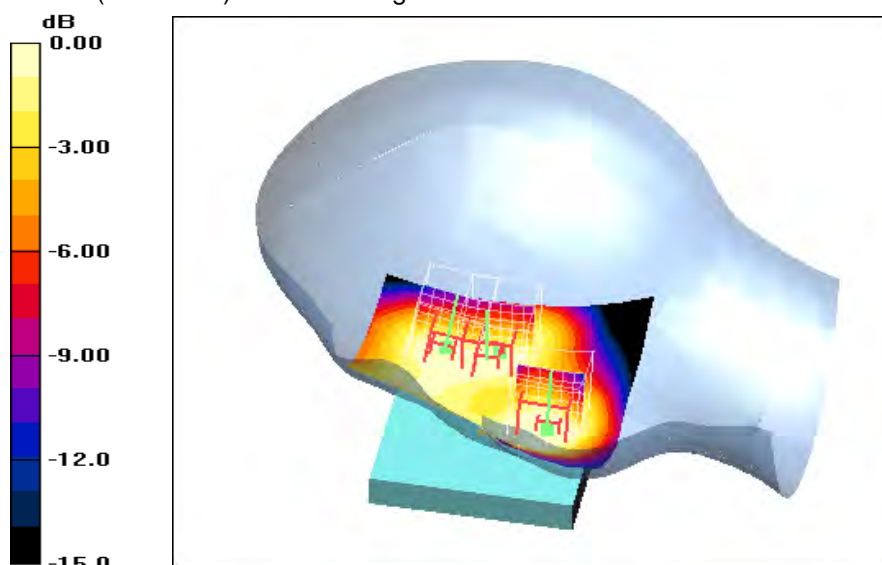
dx=5mm, dy=5mm, dz=5mm

Reference Value = 17.3 V/m; Power Drift = -0.078 dB

Peak SAR (extrapolated) = 0.322 W/kg

SAR(1 g) = 0.228 mW/g; SAR(10 g) = 0.160 mW/g

Maximum value of SAR (measured) = 0.248 mW/g



0 dB = 0.248mW/g

Additional information:

ambient temperature: 22.1 °C; liquid temperature: 22.1 °C

Date/Time: 24.03.2011 21:04:01 Date/Time: 24.03.2011 21:13:07 Date/Time: 24.03.2011 21:24:49

IEEE1528_OET65-RightHandSide-WCDMA FDD II slide opened

DUT: Sony Ericsson; Type: AAD-3880111-BV; Serial: CB5A1CHJXX

Communication System: WCDMA FDD II; Frequency: 1852.5 MHz; Duty Cycle: 1:1

Medium: HSL1900 Medium parameters used (interpolated): $f = 1852.5 \text{ MHz}$; $\sigma = 1.41 \text{ mho/m}$; $\epsilon_r = 39.6$; $\rho = 1000 \text{ kg/m}^3$

Phantom section: Right Section

DASY4 Configuration:

- Probe: ET3DV6 - SN1558; ConvF(4.76, 4.76, 4.76); Calibrated: 11.08.2010
- Sensor-Surface: 4mm (Mechanical And Optical Surface Detection)
- Electronics: DAE3 Sn413; Calibrated: 13.01.2011
- Phantom: SAM 12; Type: SAM; Serial: 1043
- Measurement SW: DASY4, V4.5 Build 19; Postprocessing SW: SEMCAD, V1.8 Build 146

Tilt position - Low/Area Scan (81x91x1): Measurement grid: $dx=15\text{mm}$, $dy=15\text{mm}$

Maximum value of SAR (interpolated) = 0.286 mW/g

Tilt position - Low/Zoom Scan (7x7x7) (7x7x7)/Cube 0: Measurement grid: $dx=5\text{mm}$, $dy=5\text{mm}$, $dz=5\text{mm}$

Reference Value = 14.4 V/m; Power Drift = 0.036 dB

Peak SAR (extrapolated) = 0.375 W/kg

SAR(1 g) = 0.254 mW/g; SAR(10 g) = 0.158 mW/g

Maximum value of SAR (measured) = 0.276 mW/g

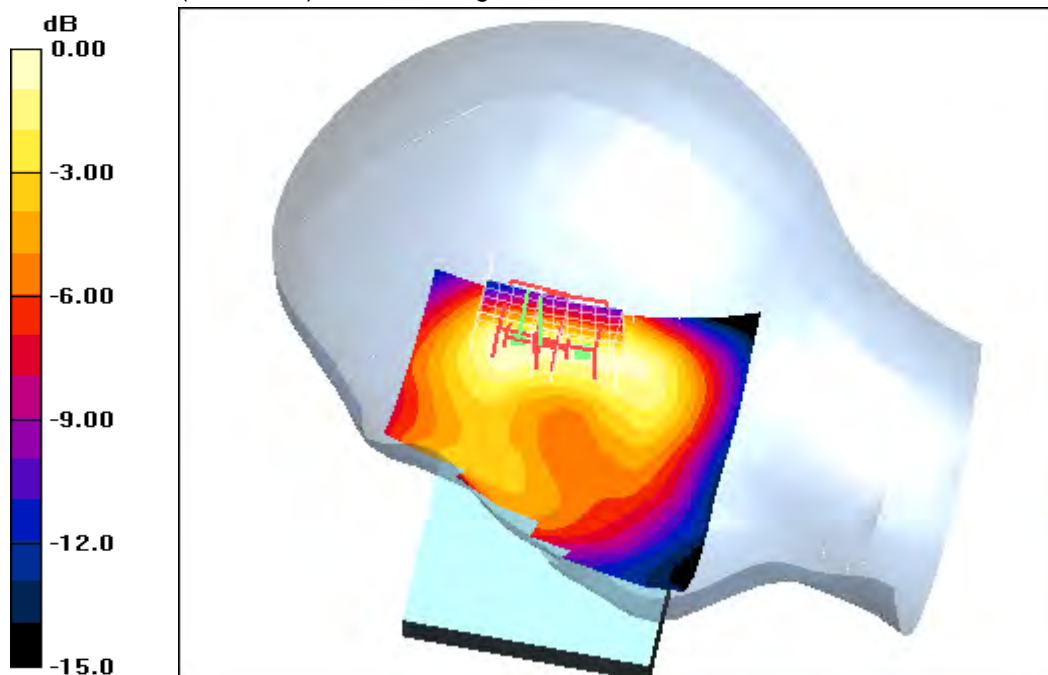
Tilt position - Low/Zoom Scan (7x7x7) (7x7x7)/Cube 1: Measurement grid: $dx=5\text{mm}$, $dy=5\text{mm}$, $dz=5\text{mm}$

Reference Value = 14.4 V/m; Power Drift = 0.036 dB

Peak SAR (extrapolated) = 0.315 W/kg

SAR(1 g) = 0.215 mW/g; SAR(10 g) = 0.141 mW/g

Maximum value of SAR (measured) = 0.249 mW/g



0 dB = 0.249mW/g

Additional information:

ambient temperature: 22.1 °C; liquid temperature: 22.1 °C

Date/Time: 24.03.2011 21:38:36 Date/Time: 24.03.2011 21:47:43 Date/Time: 24.03.2011 21:59:07

IEEE1528_OET65-RightHandSide-WCDMA FDD II slide opened

DUT: Sony Ericsson; Type: AAD-3880111-BV; Serial: CB5A1CHJXX

Communication System: WCDMA FDD II; Frequency: 1880 MHz; Duty Cycle: 1:1

Medium: HSL1900 Medium parameters used: $f = 1880$ MHz; $\sigma = 1.41$ mho/m; $\epsilon_r = 39.6$; $\rho = 1000$ kg/m³

Phantom section: Right Section

DASY4 Configuration:

- Probe: ET3DV6 - SN1558; ConvF(4.76, 4.76, 4.76); Calibrated: 11.08.2010
- Sensor-Surface: 4mm (Mechanical And Optical Surface Detection)
- Electronics: DAE3 Sn413; Calibrated: 13.01.2011
- Phantom: SAM 12; Type: SAM; Serial: 1043
- Measurement SW: DASY4, V4.5 Build 19; Postprocessing SW: SEMCAD, V1.8 Build 146

Tilt position - Middle/Area Scan (81x91x1): Measurement grid: dx=15mm, dy=15mm
Maximum value of SAR (interpolated) = 0.288 mW/g

Tilt position - Middle/Zoom Scan (7x7x7) (7x7x7)/Cube 0: Measurement grid:
dx=5mm, dy=5mm, dz=5mm

Reference Value = 14.0 V/m; Power Drift = -0.053 dB

Peak SAR (extrapolated) = 0.347 W/kg

SAR(1 g) = 0.249 mW/g; SAR(10 g) = 0.158 mW/g

Maximum value of SAR (measured) = 0.272 mW/g

Tilt position - Middle/Zoom Scan (7x7x7) (7x7x7)/Cube 1: Measurement grid:

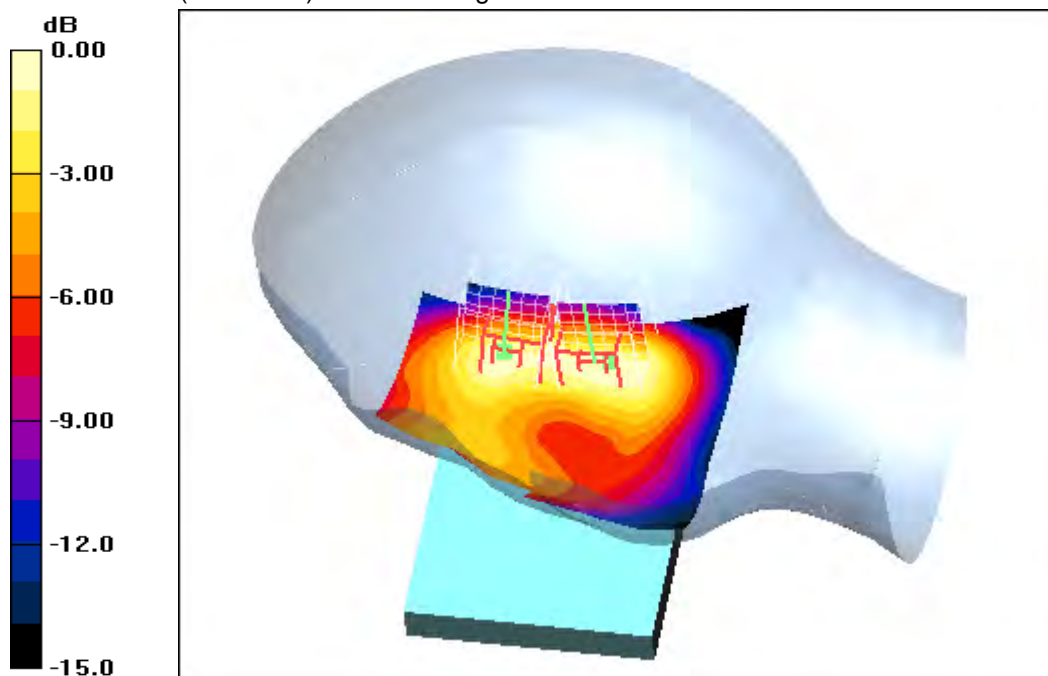
dx=5mm, dy=5mm, dz=5mm

Reference Value = 14.0 V/m; Power Drift = -0.053 dB

Peak SAR (extrapolated) = 0.352 W/kg

SAR(1 g) = 0.231 mW/g; SAR(10 g) = 0.142 mW/g

Maximum value of SAR (measured) = 0.252 mW/g



0 dB = 0.252mW/g

Additional information:

ambient temperature: 22.1 °C; liquid temperature: 22.1 °C

Date/Time: 24.03.2011 22:17:01 Date/Time: 24.03.2011 22:26:12 Date/Time: 24.03.2011 22:37:25

IEEE1528_OET65-RightHandSide-WCDMA FDD II slide opened

DUT: Sony Ericsson; Type: AAD-3880111-BV; Serial: CB5A1CHJXX

Communication System: WCDMA FDD II; Frequency: 1907.6 MHz; Duty Cycle: 1:1

Medium: HSL1900 Medium parameters used (interpolated): $f = 1907.6 \text{ MHz}$; $\sigma = 1.41 \text{ mho/m}$; $\epsilon_r = 39.6$; $\rho = 1000 \text{ kg/m}^3$

Phantom section: Right Section

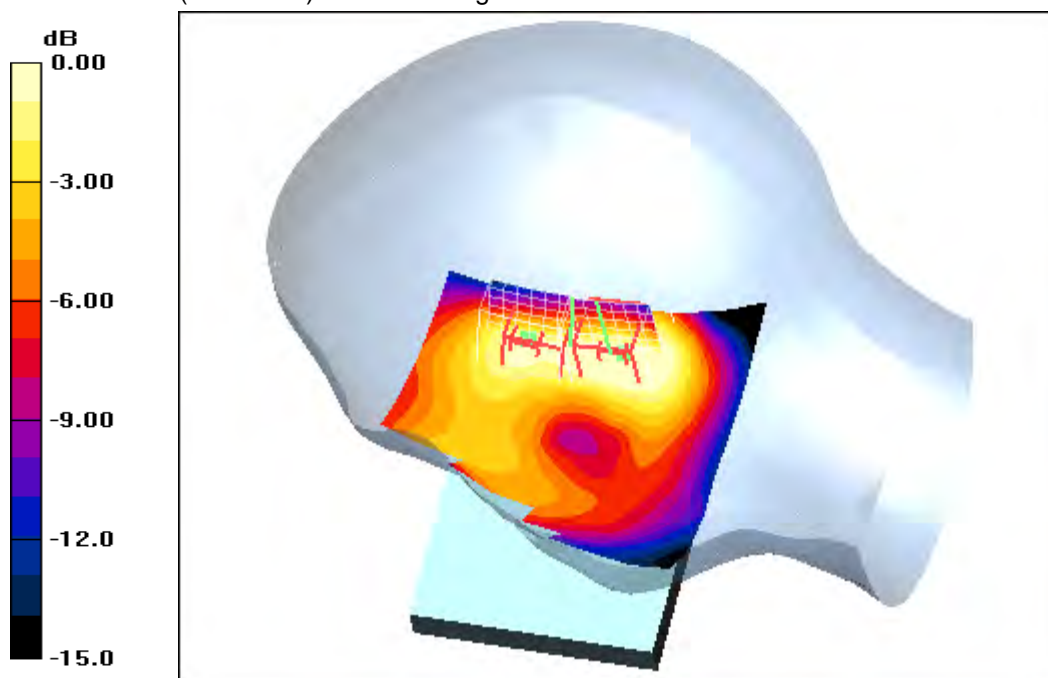
DASY4 Configuration:

- Probe: ET3DV6 - SN1558; ConvF(4.76, 4.76, 4.76); Calibrated: 11.08.2010
- Sensor-Surface: 4mm (Mechanical And Optical Surface Detection)
- Electronics: DAE3 Sn413; Calibrated: 13.01.2011
- Phantom: SAM 12; Type: SAM; Serial: 1043
- Measurement SW: DASY4, V4.5 Build 19; Postprocessing SW: SEMCAD, V1.8 Build 146

Tilt position - High/Area Scan (81x91x1): Measurement grid: $dx=15\text{mm}$, $dy=15\text{mm}$
 Maximum value of SAR (interpolated) = 0.324 mW/g

Tilt position - High/Zoom Scan (7x7x7) (7x7x7)/Cube 0: Measurement grid: $dx=5\text{mm}$, $dy=5\text{mm}$, $dz=5\text{mm}$
 Reference Value = 14.8 V/m; Power Drift = 0.00 dB
 Peak SAR (extrapolated) = 0.398 W/kg
SAR(1 g) = 0.278 mW/g; SAR(10 g) = 0.170 mW/g
 Maximum value of SAR (measured) = 0.303 mW/g

Tilt position - High/Zoom Scan (7x7x7) (7x7x7)/Cube 1: Measurement grid: $dx=5\text{mm}$, $dy=5\text{mm}$, $dz=5\text{mm}$
 Reference Value = 14.8 V/m; Power Drift = 0.00 dB
 Peak SAR (extrapolated) = 0.293 W/kg
SAR(1 g) = 0.194 mW/g; SAR(10 g) = 0.122 mW/g
 Maximum value of SAR (measured) = 0.213 mW/g



0 dB = 0.213mW/g

Additional information:

ambient temperature: 22.1 °C; liquid temperature: 22.1 °C

Annex B.6: WCDMA FDD II 1900MHz body

Date/Time: 14.03.2011 15:30:54 Date/Time: 14.03.2011 15:37:19

IEEE1528_OET65-Body-WCDMA FDD II

DUT: Sony Ericsson; Type: AAD-3880111-BV; Serial: CB5A1CHJXX

Communication System: WCDMA FDD II; Frequency: 1852.5 MHz; Duty Cycle: 1:1

Medium: M1900 Medium parameters used (interpolated): $f = 1852.5$ MHz; $\sigma = 1.53$ mho/m; $\epsilon_r = 52.7$; $\rho = 1000$ kg/m³

Phantom section: Flat Section

DASY4 Configuration:

- Probe: ET3DV6 - SN1558; ConvF(4.35, 4.35, 4.35); Calibrated: 11.08.2010
- Sensor-Surface: 4mm (Mechanical And Optical Surface Detection)
- Electronics: DAE3 Sn413; Calibrated: 13.01.2011
- Phantom: SAM 12; Type: SAM; Serial: 1043
- Measurement SW: DASY4, V4.5 Build 19; Postprocessing SW: SEMCAD, V1.8 Build 146

Front position - Low/Area Scan (51x91x1): Measurement grid: dx=15mm, dy=15mm

Maximum value of SAR (interpolated) = 0.559 mW/g

Front position - Low/Zoom Scan (7x7x7) (7x7x7)/Cube 0: Measurement grid:

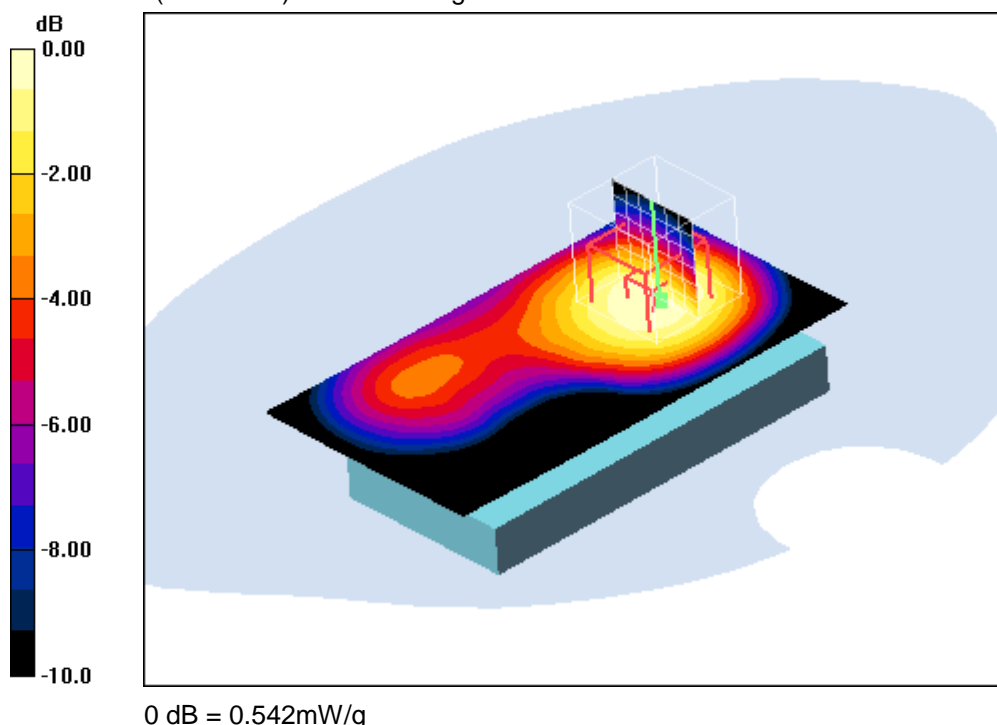
dx=5mm, dy=5mm, dz=5mm

Reference Value = 20.4 V/m; Power Drift = 0.017 dB

Peak SAR (extrapolated) = 0.673 W/kg

SAR(1 g) = 0.507 mW/g; SAR(10 g) = 0.345 mW/g

Maximum value of SAR (measured) = 0.542 mW/g



Additional information:

position or distance of DUT to SAM: 10 mm

ambient temperature: 23.2°C; liquid temperature: 22.0°C

Date/Time: 14.03.2011 15:12:26 Date/Time: 14.03.2011 15:18:47

IEEE1528_OET65-Body-WCDMA FDD II

DUT: Sony Ericsson; Type: AAD-3880111-BV; Serial: CB5A1CHJXX

Communication System: WCDMA FDD II; Frequency: 1880 MHz; Duty Cycle: 1:1

Medium: M1900 Medium parameters used: $f = 1880$ MHz; $\sigma = 1.53$ mho/m; $\epsilon_r = 52.7$; $\rho = 1000$ kg/m³

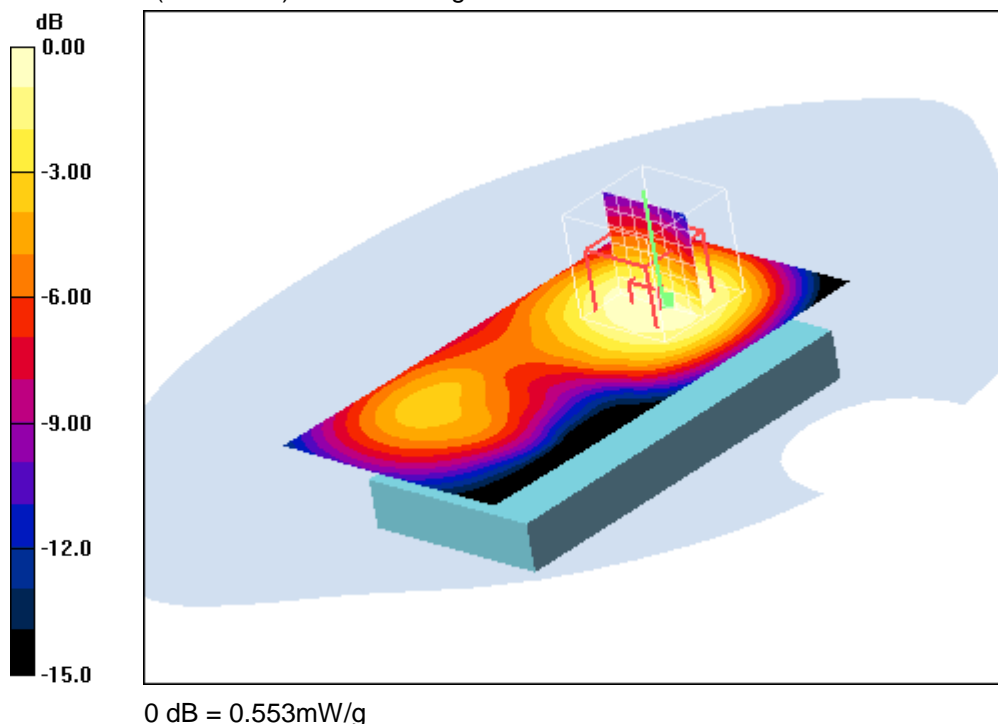
Phantom section: Flat Section

DASY4 Configuration:

- Probe: ET3DV6 - SN1558; ConvF(4.35, 4.35, 4.35); Calibrated: 11.08.2010
- Sensor-Surface: 4mm (Mechanical And Optical Surface Detection)
- Electronics: DAE3 Sn413; Calibrated: 13.01.2011
- Phantom: SAM 12; Type: SAM; Serial: 1043
- Measurement SW: DASY4, V4.5 Build 19; Postprocessing SW: SEMCAD, V1.8 Build 146

Front position - Middle/Area Scan (51x91x1): Measurement grid: dx=15mm, dy=15mm
Maximum value of SAR (interpolated) = 0.570 mW/g

Front position - Middle/Zoom Scan (7x7x7) (7x7x7)/Cube 0: Measurement grid:
dx=5mm, dy=5mm, dz=5mm
Reference Value = 20.7 V/m; Power Drift = 0.051 dB
Peak SAR (extrapolated) = 0.701 W/kg
SAR(1 g) = 0.516 mW/g; SAR(10 g) = 0.347 mW/g
Maximum value of SAR (measured) = 0.553 mW/g



Additional information:

position or distance of DUT to SAM: 10 mm

ambient temperature: 23.2°C; liquid temperature: 22.0°C

Date/Time: 14.03.2011 15:50:04 Date/Time: 14.03.2011 15:56:41

IEEE1528_OET65-Body-WCDMA FDD II

DUT: Sony Ericsson; Type: AAD-3880111-BV; Serial: CB5A1CHJXX

Communication System: WCDMA FDD II; Frequency: 1907.6 MHz; Duty Cycle: 1:1

Medium: M1900 Medium parameters used (interpolated): $f = 1907.6 \text{ MHz}$; $\sigma = 1.53 \text{ mho/m}$; $\epsilon_r = 52.7$; $\rho = 1000 \text{ kg/m}^3$

Phantom section: Flat Section

DASY4 Configuration:

- Probe: ET3DV6 - SN1558; ConvF(4.35, 4.35, 4.35); Calibrated: 11.08.2010
- Sensor-Surface: 4mm (Mechanical And Optical Surface Detection)
- Electronics: DAE3 Sn413; Calibrated: 13.01.2011
- Phantom: SAM 12; Type: SAM; Serial: 1043
- Measurement SW: DASY4, V4.5 Build 19; Postprocessing SW: SEMCAD, V1.8 Build 146

Front position - High/Area Scan (51x91x1): Measurement grid: $dx=15\text{mm}$, $dy=15\text{mm}$

Maximum value of SAR (interpolated) = 0.530 mW/g

Front position - High/Zoom Scan (7x7x7) (7x7x7)/Cube 0: Measurement grid:

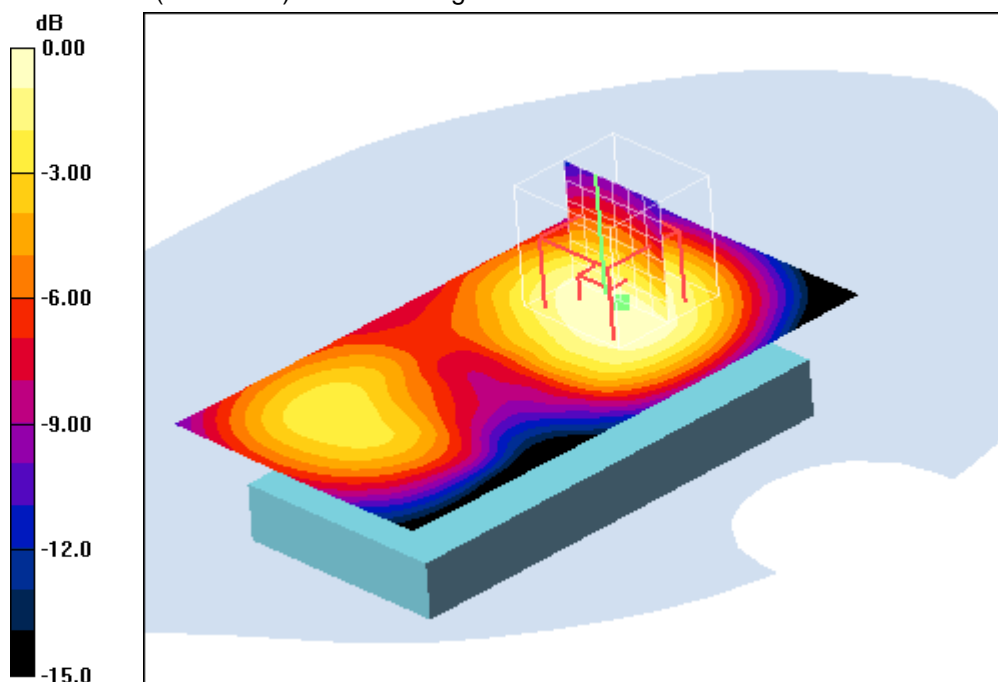
$dx=5\text{mm}$, $dy=5\text{mm}$, $dz=5\text{mm}$

Reference Value = 19.2 V/m; Power Drift = -0.01 dB

Peak SAR (extrapolated) = 0.630 W/kg

SAR(1 g) = 0.459 mW/g; SAR(10 g) = 0.307 mW/g

Maximum value of SAR (measured) = 0.493 mW/g



0 dB = 0.493mW/g

Additional information:

position or distance of DUT to SAM: 10 mm

ambient temperature: 23.2°C; liquid temperature: 22.0°C

Date/Time: 14.03.2011 16:53:57 Date/Time: 14.03.2011 17:00:27

IEEE1528_OET65-Body-WCDMA FDD II

DUT: Sony Ericsson; Type: AAD-3880111-BV; Serial: CB5A1CHJXX

Communication System: WCDMA FDD II; Frequency: 1852.5 MHz; Duty Cycle: 1:1

Medium: M1900 Medium parameters used (interpolated): $f = 1852.5$ MHz; $\sigma = 1.53$ mho/m; $\epsilon_r = 52.7$; $\rho = 1000$ kg/m³

Phantom section: Flat Section

DASY4 Configuration:

- Probe: ET3DV6 - SN1558; ConvF(4.35, 4.35, 4.35); Calibrated: 11.08.2010
- Sensor-Surface: 4mm (Mechanical And Optical Surface Detection)
- Electronics: DAE3 Sn413; Calibrated: 13.01.2011
- Phantom: SAM 12; Type: SAM; Serial: 1043
- Measurement SW: DASY4, V4.5 Build 19; Postprocessing SW: SEMCAD, V1.8 Build 146

Rear position - Low/Area Scan (51x91x1): Measurement grid: dx=15mm, dy=15mm
Maximum value of SAR (interpolated) = 1.28 mW/g

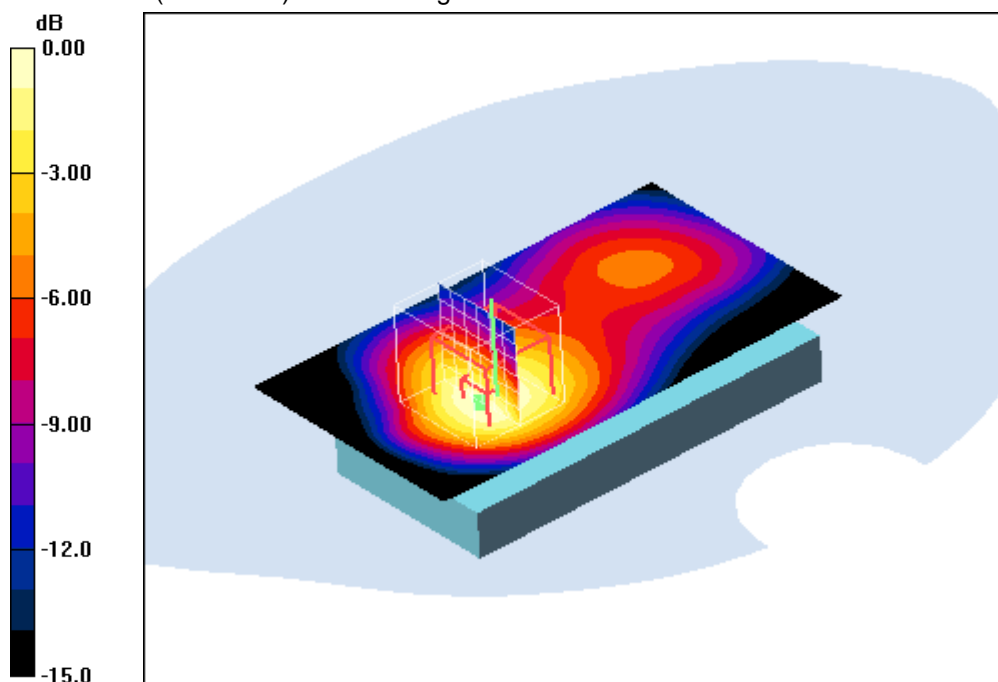
Rear position - Low/Zoom Scan (7x7x7) (7x7x7)/Cube 0: Measurement grid:
dx=5mm, dy=5mm, dz=5mm

Reference Value = 30.7 V/m; Power Drift = -0.066 dB

Peak SAR (extrapolated) = 1.61 W/kg

SAR(1 g) = 1.15 mW/g; SAR(10 g) = 0.709 mW/g

Maximum value of SAR (measured) = 1.25 mW/g



0 dB = 1.25mW/g

Additional information:

position or distance of DUT to SAM: 10 mm

ambient temperature: 23.2°C; liquid temperature: 22.0°C

Date/Time: 14.03.2011 16:33:24 Date/Time: 14.03.2011 16:39:54

IEEE1528_OET65-Body-WCDMA FDD II

DUT: Sony Ericsson; Type: AAD-3880111-BV; Serial: CB5A1CHJXX

Communication System: WCDMA FDD II; Frequency: 1880 MHz; Duty Cycle: 1:1

Medium: M1900 Medium parameters used: $f = 1880 \text{ MHz}$; $\sigma = 1.53 \text{ mho/m}$; $\epsilon_r = 52.7$; $\rho = 1000 \text{ kg/m}^3$

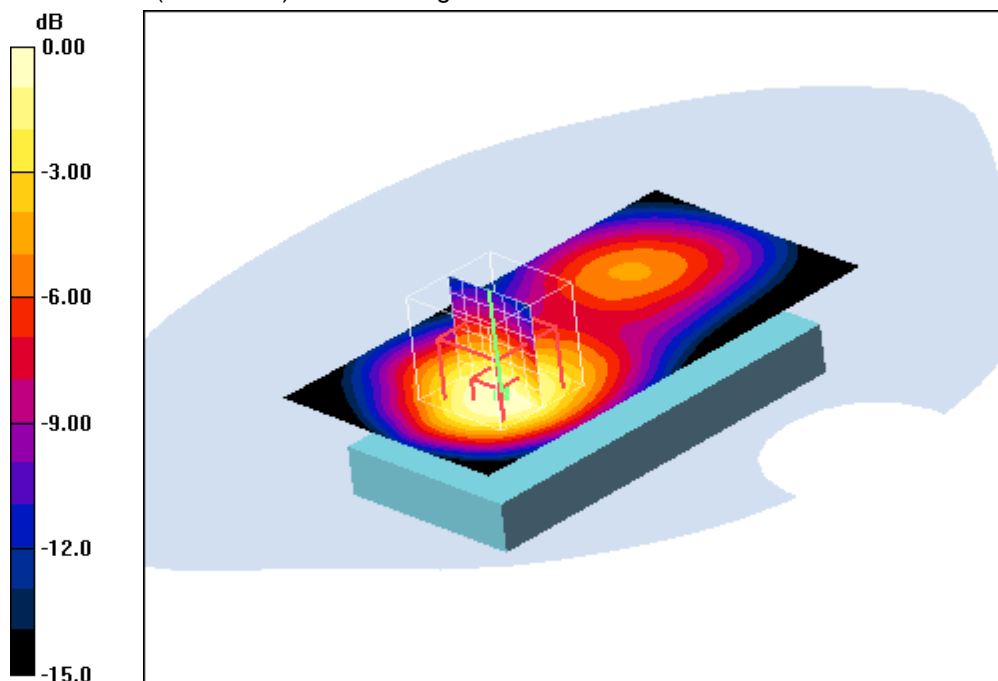
Phantom section: Flat Section

DASY4 Configuration:

- Probe: ET3DV6 - SN1558; ConvF(4.35, 4.35, 4.35); Calibrated: 11.08.2010
- Sensor-Surface: 4mm (Mechanical And Optical Surface Detection)
- Electronics: DAE3 Sn413; Calibrated: 13.01.2011
- Phantom: SAM 12; Type: SAM; Serial: 1043
- Measurement SW: DASY4, V4.5 Build 19; Postprocessing SW: SEMCAD, V1.8 Build 146

Rear position - Middle/Area Scan (51x91x1): Measurement grid: $dx=15\text{mm}$, $dy=15\text{mm}$
 Maximum value of SAR (interpolated) = 1.45 mW/g

Rear position - Middle/Zoom Scan (7x7x7) (7x7x7)/Cube 0: Measurement grid:
 $dx=5\text{mm}$, $dy=5\text{mm}$, $dz=5\text{mm}$
 Reference Value = 32.9 V/m; Power Drift = -0.051 dB
 Peak SAR (extrapolated) = 1.83 W/kg
SAR(1 g) = 1.28 mW/g; SAR(10 g) = 0.779 mW/g
 Maximum value of SAR (measured) = 1.40 mW/g



0 dB = 1.40mW/g

Additional information:

position or distance of DUT to SAM: 10 mm
 ambient temperature: 23.2°C; liquid temperature: 22.0°C

Date/Time: 14.03.2011 16:12:50 Date/Time: 14.03.2011 16:19:18

IEEE1528_OET65-Body-WCDMA FDD II

DUT: Sony Ericsson; Type: AAD-3880111-BV; Serial: CB5A1CHJXX

Communication System: WCDMA FDD II; Frequency: 1907.6 MHz; Duty Cycle: 1:1

Medium: M1900 Medium parameters used (interpolated): $f = 1907.6$ MHz; $\sigma = 1.53$ mho/m; $\epsilon_r = 52.7$; $\rho = 1000$ kg/m³

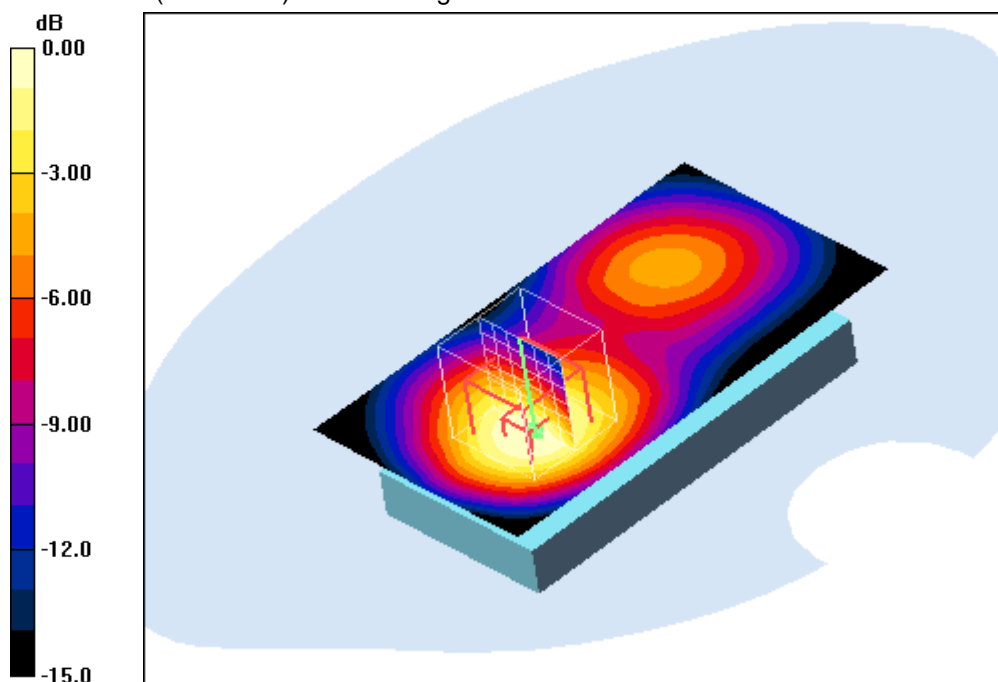
Phantom section: Flat Section

DASY4 Configuration:

- Probe: ET3DV6 - SN1558; ConvF(4.35, 4.35, 4.35); Calibrated: 11.08.2010
- Sensor-Surface: 4mm (Mechanical And Optical Surface Detection)
- Electronics: DAE3 Sn413; Calibrated: 13.01.2011
- Phantom: SAM 12; Type: SAM; Serial: 1043
- Measurement SW: DASY4, V4.5 Build 19; Postprocessing SW: SEMCAD, V1.8 Build 146

Rear position - High/Area Scan (51x91x1): Measurement grid: dx=15mm, dy=15mm
 Maximum value of SAR (interpolated) = 1.31 mW/g

Rear position - High/Zoom Scan (7x7x7) (7x7x7)/Cube 0: Measurement grid:
 dx=5mm, dy=5mm, dz=5mm
 Reference Value = 31.3 V/m; Power Drift = -0.032 dB
 Peak SAR (extrapolated) = 1.70 W/kg
SAR(1 g) = 1.16 mW/g; SAR(10 g) = 0.705 mW/g
 Maximum value of SAR (measured) = 1.28 mW/g



0 dB = 1.28mW/g

Additional information:

position or distance of DUT to SAM: 10 mm
 ambient temperature: 23.2°C; liquid temperature: 22.0°C

Date/Time: 14.03.2011 14:02:30 Date/Time: 14.03.2011 14:08:52 Date/Time: 14.03.2011 14:20:22

IEEE1528_OET65-Body-WCDMA FDD II

DUT: Sony Ericsson; Type: AAD-3880111-BV; Serial: CB5A1CHJXX

Communication System: WCDMA FDD II; Frequency: 1880 MHz; Duty Cycle: 1:1

Medium: M1900 Medium parameters used: $f = 1880$ MHz; $\sigma = 1.53$ mho/m; $\epsilon_r = 52.7$; $\rho = 1000$ kg/m³

Phantom section: Flat Section

DASY4 Configuration:

- Probe: ET3DV6 - SN1558; ConvF(4.35, 4.35, 4.35); Calibrated: 11.08.2010
- Sensor-Surface: 4mm (Mechanical And Optical Surface Detection)
- Electronics: DAE3 Sn413; Calibrated: 13.01.2011
- Phantom: SAM 12; Type: SAM; Serial: 1043
- Measurement SW: DASY4, V4.5 Build 19; Postprocessing SW: SEMCAD, V1.8 Build 146

Edge left position - Middle/Area Scan (51x91x1): Measurement grid: dx=15mm, dy=15mm

Maximum value of SAR (interpolated) = 0.419 mW/g

Edge left position - Middle/Zoom Scan (7x7x7) (7x7x7)/Cube 0: Measurement grid: dx=5mm, dy=5mm, dz=5mm

Reference Value = 17.4 V/m; Power Drift = 0.123 dB

Peak SAR (extrapolated) = 0.572 W/kg

SAR(1 g) = 0.366 mW/g; SAR(10 g) = 0.215 mW/g

Maximum value of SAR (measured) = 0.404 mW/g

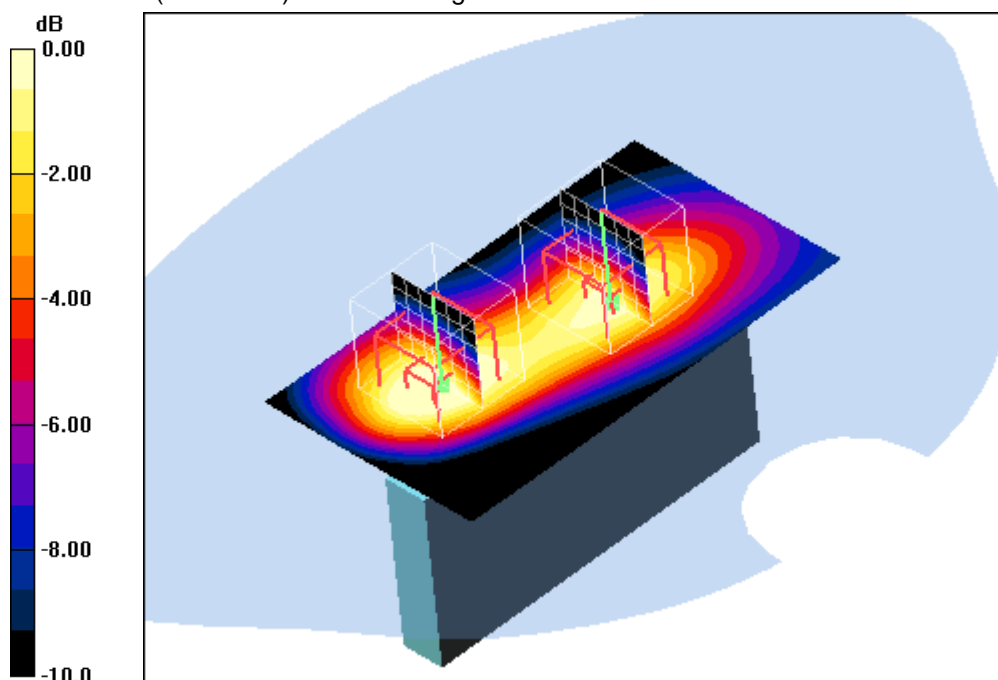
Edge left position - Middle/Zoom Scan (7x7x7) (7x7x7)/Cube 1: Measurement grid: dx=5mm, dy=5mm, dz=5mm

Reference Value = 17.4 V/m; Power Drift = 0.123 dB

Peak SAR (extrapolated) = 0.462 W/kg

SAR(1 g) = 0.305 mW/g; SAR(10 g) = 0.186 mW/g

Maximum value of SAR (measured) = 0.335 mW/g



0 dB = 0.335mW/g

Additional information:

position or distance of DUT to SAM: 10 mm

ambient temperature: 23.2°C; liquid temperature: 22.0°C

Date/Time: 14.03.2011 14:44:33 Date/Time: 14.03.2011 14:50:52

IEEE1528_OET65-Body-WCDMA FDD II**DUT: Sony Ericsson; Type: AAD-3880111-BV; Serial: CB5A1CHJXX**

Communication System: WCDMA FDD II; Frequency: 1880 MHz; Duty Cycle: 1:1

Medium: M1900 Medium parameters used: $f = 1880$ MHz; $\sigma = 1.53$ mho/m; $\epsilon_r = 52.7$; $\rho = 1000$ kg/m³

Phantom section: Flat Section

DASY4 Configuration:

- Probe: ET3DV6 - SN1558; ConvF(4.35, 4.35, 4.35); Calibrated: 11.08.2010
- Sensor-Surface: 4mm (Mechanical And Optical Surface Detection)
- Electronics: DAE3 Sn413; Calibrated: 13.01.2011
- Phantom: SAM 12; Type: SAM; Serial: 1043
- Measurement SW: DASY4, V4.5 Build 19; Postprocessing SW: SEMCAD, V1.8 Build 146

Edge right position - Middle/Area Scan (51x91x1): Measurement grid: dx=15mm, dy=15mm

Maximum value of SAR (interpolated) = 0.199 mW/g

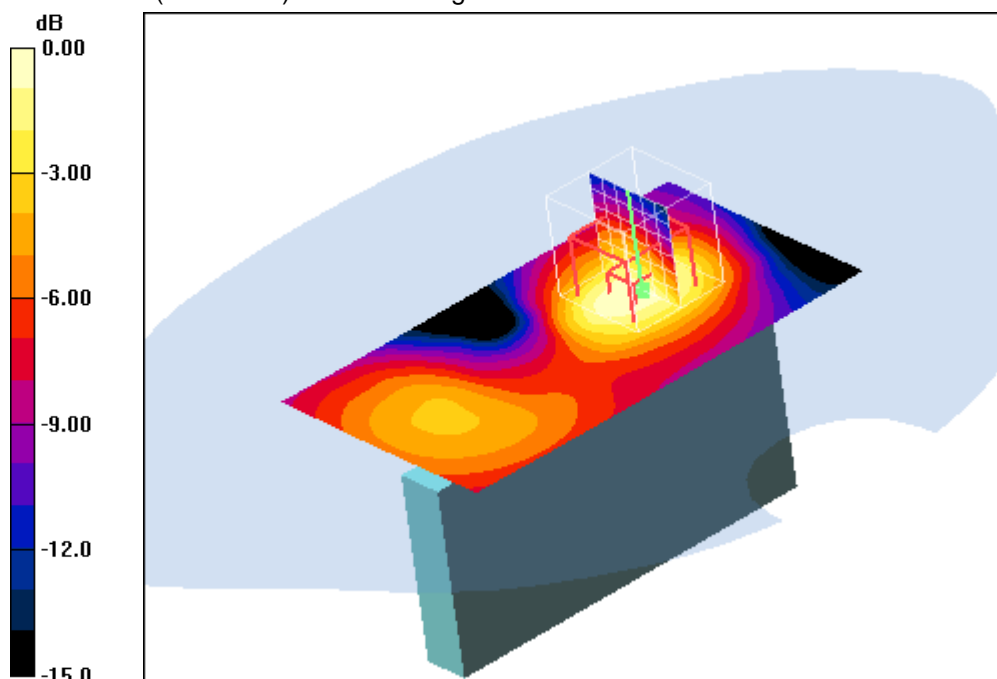
Edge right position - Middle/Zoom Scan (7x7x7) (7x7x7)/Cube 0: Measurement grid: dx=5mm, dy=5mm, dz=5mm

Reference Value = 11.7 V/m; Power Drift = 0.061 dB

Peak SAR (extrapolated) = 0.252 W/kg

SAR(1 g) = 0.170 mW/g; SAR(10 g) = 0.102 mW/g

Maximum value of SAR (measured) = 0.188 mW/g



0 dB = 0.188mW/g

Additional information:

position or distance of DUT to SAM: 10 mm

ambient temperature: 23.2°C; liquid temperature: 22.0°C

Date/Time: 14.03.2011 13:40:48 Date/Time: 14.03.2011 13:46:02

IEEE1528_OET65-Body-WCDMA FDD II

DUT: Sony Ericsson; Type: AAD-3880111-BV; Serial: CB5A1CHJXX

Communication System: WCDMA FDD II; Frequency: 1880 MHz; Duty Cycle: 1:1

Medium: M1900 Medium parameters used: $f = 1880 \text{ MHz}$; $\sigma = 1.53 \text{ mho/m}$; $\epsilon_r = 52.7$; $\rho = 1000 \text{ kg/m}^3$

Phantom section: Flat Section

DASY4 Configuration:

- Probe: ET3DV6 - SN1558; ConvF(4.35, 4.35, 4.35); Calibrated: 11.08.2010
- Sensor-Surface: 4mm (Mechanical And Optical Surface Detection)
- Electronics: DAE3 Sn413; Calibrated: 13.01.2011
- Phantom: SAM 12; Type: SAM; Serial: 1043
- Measurement SW: DASY4, V4.5 Build 19; Postprocessing SW: SEMCAD, V1.8 Build 146

Edge bottom position - Middle/Area Scan (61x61x1): Measurement grid: $dx=15\text{mm}$, $dy=15\text{mm}$

Maximum value of SAR (interpolated) = 0.231 mW/g

Edge bottom position - Middle/Zoom Scan (7x7x7) (7x7x7)/Cube 0:

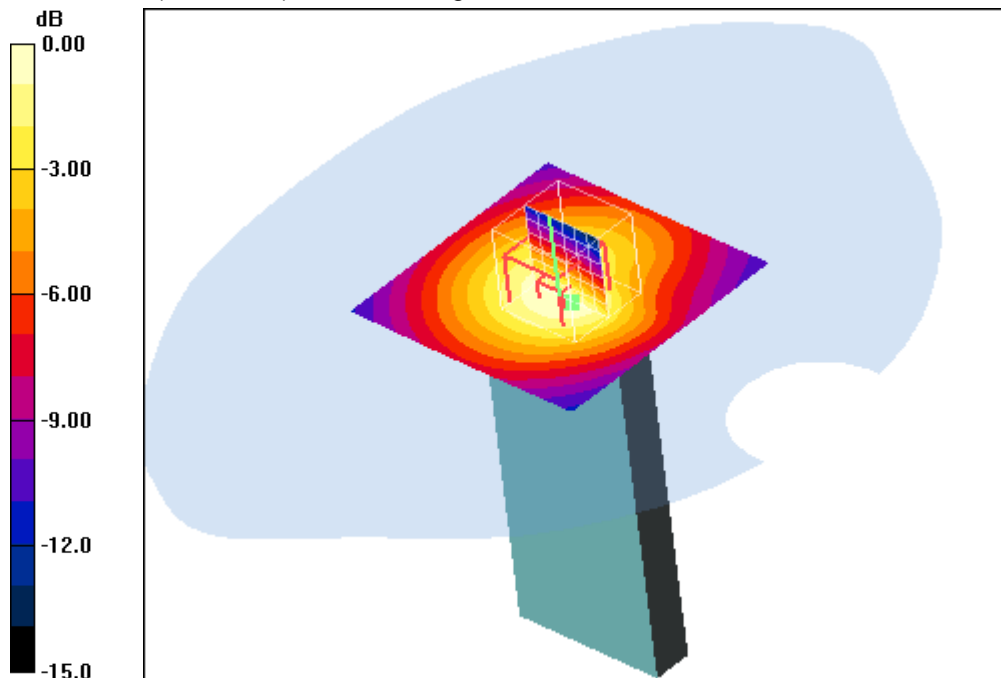
Measurement grid: $dx=5\text{mm}$, $dy=5\text{mm}$, $dz=5\text{mm}$

Reference Value = 13.3 V/m; Power Drift = -0.080 dB

Peak SAR (extrapolated) = 0.332 W/kg

SAR(1 g) = 0.213 mW/g; SAR(10 g) = 0.131 mW/g

Maximum value of SAR (measured) = 0.232 mW/g



0 dB = 0.232mW/g

Additional information:

position or distance of DUT to SAM: 10 mm

ambient temperature: 23.2°C; liquid temperature: 22.0°C

Date/Time: 15.03.2011 16:31:19 Date/Time: 15.03.2011 16:37:52

IEEE1528_OET65-Body-WCDMA FDD II HSDPA

DUT: Sony Ericsson; Type: AAD-3880111-BV; Serial: CB5A1CHJXX

Communication System: WCDMA FDD II; Frequency: 1880 MHz; Duty Cycle: 1:1

Medium: M1900 Medium parameters used: $f = 1880$ MHz; $\sigma = 1.53$ mho/m; $\epsilon_r = 52.7$; $\rho = 1000$ kg/m³

Phantom section: Flat Section

DASY4 Configuration:

- Probe: ET3DV6 - SN1558; ConvF(4.35, 4.35, 4.35); Calibrated: 11.08.2010
- Sensor-Surface: 4mm (Mechanical And Optical Surface Detection)
- Electronics: DAE3 Sn413; Calibrated: 13.01.2011
- Phantom: SAM 12; Type: SAM; Serial: 1043
- Measurement SW: DASY4, V4.5 Build 19; Postprocessing SW: SEMCAD, V1.8 Build 146

Rear position - Middle HSDPA/Area Scan (51x91x1): Measurement grid: dx=15mm, dy=15mm

Maximum value of SAR (interpolated) = 1.34 mW/g

Rear position - Middle HSDPA/Zoom Scan (7x7x7) (7x7x7)/Cube 0:

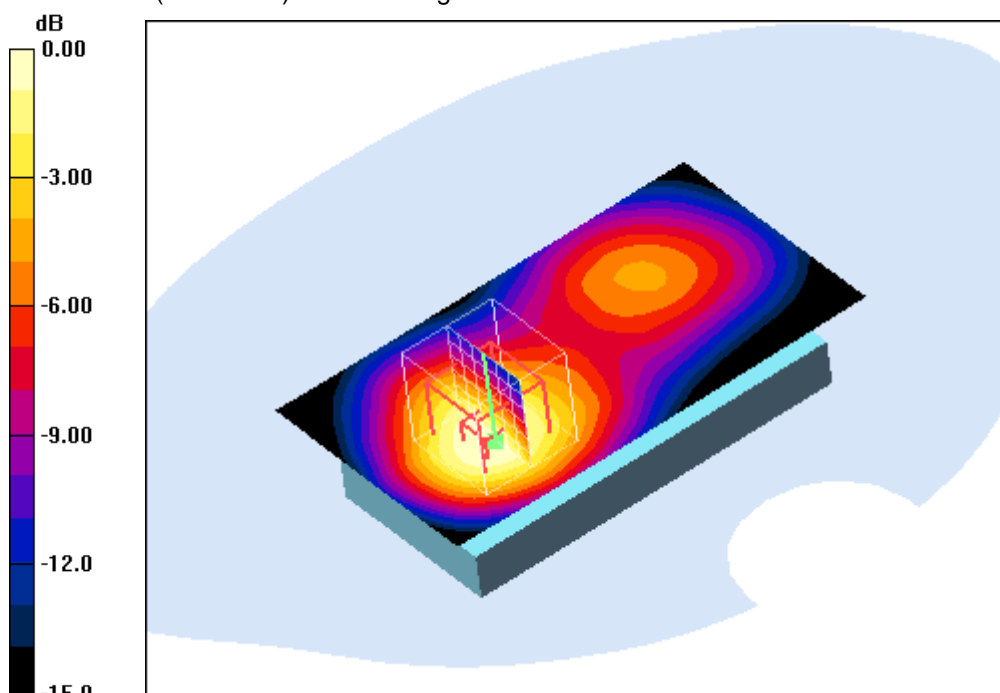
Measurement grid: dx=5mm, dy=5mm, dz=5mm

Reference Value = 31.6 V/m; Power Drift = 0.013 dB

Peak SAR (extrapolated) = 1.71 W/kg

SAR(1 g) = 1.19 mW/g; SAR(10 g) = 0.734 mW/g

Maximum value of SAR (measured) = 1.32 mW/g



0 dB = 1.32mW/g

Additional information:

position or distance of DUT to SAM: 10 mm

ambient temperature: 23.7°C; liquid temperature: 22.8°C

Date/Time: 15.03.2011 17:13:12 Date/Time: 15.03.2011 17:40:25

IEEE1528_OET65-Body-WCDMA FDD II

DUT: Sony Ericsson; Type: AAD-3880111-BV; Serial: CB5A1CHJXX

Communication System: WCDMA FDD II; Frequency: 1880 MHz; Duty Cycle: 1:1

Medium: M1900 Medium parameters used: $f = 1880$ MHz; $\sigma = 1.53$ mho/m; $\epsilon_r = 52.7$; $\rho = 1000$ kg/m³

Phantom section: Flat Section

DASY4 Configuration:

- Probe: ET3DV6 - SN1558; ConvF(4.35, 4.35, 4.35); Calibrated: 11.08.2010
- Sensor-Surface: 4mm (Mechanical And Optical Surface Detection)
- Electronics: DAE3 Sn413; Calibrated: 13.01.2011
- Phantom: SAM 12; Type: SAM; Serial: 1043
- Measurement SW: DASY4, V4.5 Build 19; Postprocessing SW: SEMCAD, V1.8 Build 146

Rear position - Middle HSUPA/Area Scan (51x91x1): Measurement grid: dx=15mm, dy=15mm

Maximum value of SAR (interpolated) = 1.35 mW/g

Rear position - Middle HSUPA/Zoom Scan (7x7x7) (7x7x7)/Cube 0:

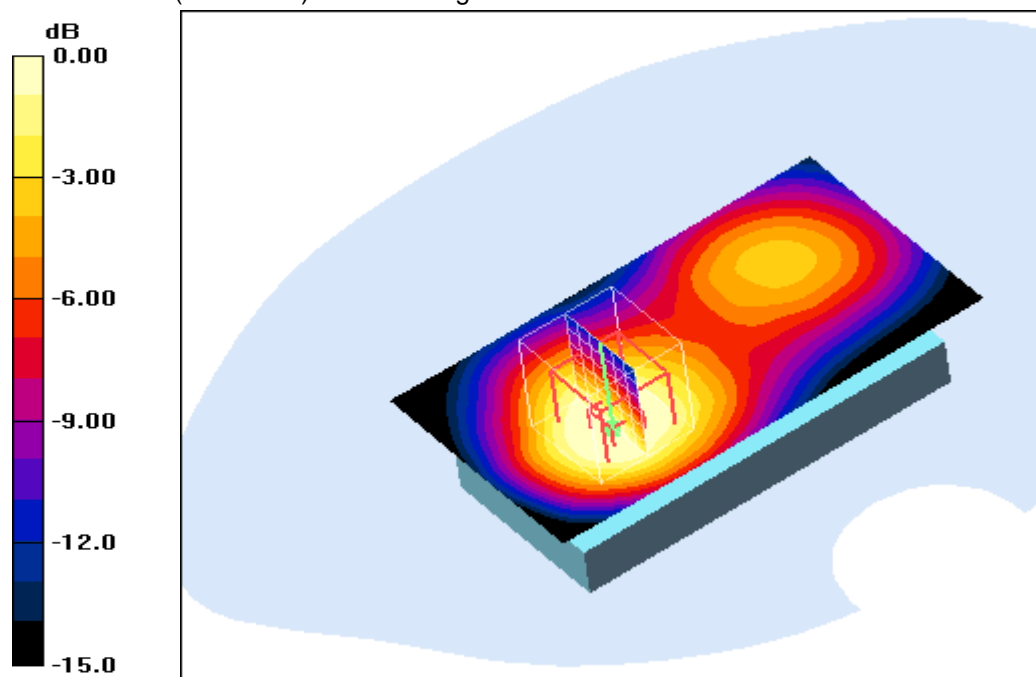
Measurement grid: dx=5mm, dy=5mm, dz=5mm

Reference Value = 26.7 V/m; Power Drift = -0.01 dB

Peak SAR (extrapolated) = 1.37 W/kg

SAR(1 g) = 0.953 mW/g; SAR(10 g) = 0.583 mW/g

Maximum value of SAR (measured) = 1.05 mW/g



0 dB = 1.05mW/g

Additional information:

position or distance of DUT to SAM: 10 mm

ambient temperature: 23.7°C; liquid temperature: 22.8°C

Date/Time: 12.05.2011 15:20:24 Date/Time: 12.05.2011 15:26:46

IEEE1528_OET65-Body-WCDMA FDD II speech

DUT: Sony Ericsson; Type: AAD-3880111-BV; Serial: CB5A1CHJXX

Communication System: WCDMA FDD II; Frequency: 1880 MHz; Duty Cycle: 1:1

Medium: M1900 Medium parameters used: $f = 1880$ MHz; $\sigma = 1.5$ mho/m; $\epsilon_r = 53.1$; $\rho = 1000$ kg/m³

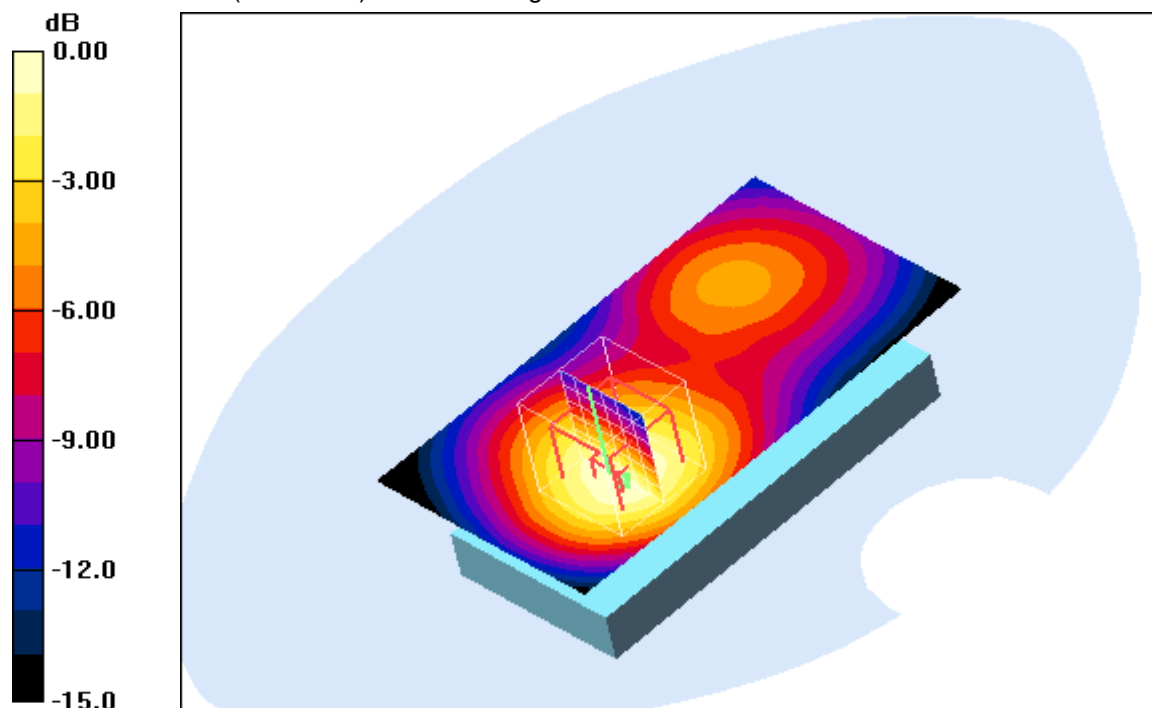
Phantom section: Flat Section

DASY4 Configuration:

- Probe: ET3DV6 - SN1558; ConvF(4.35, 4.35, 4.35); Calibrated: 11.08.2010
- Sensor-Surface: 4mm (Mechanical And Optical Surface Detection)
- Electronics: DAE3 Sn413; Calibrated: 13.01.2011
- Phantom: SAM 12; Type: SAM; Serial: 1043
- Measurement SW: DASY4, V4.5 Build 19; Postprocessing SW: SEMCAD, V1.8 Build 146

Rear position - Middle/Area Scan (51x91x1): Measurement grid: dx=15mm, dy=15mm
 Maximum value of SAR (interpolated) = 0.732 mW/g

Rear position - Middle/Zoom Scan (7x7x7) (7x7x7)/Cube 0: Measurement grid:
 dx=5mm, dy=5mm, dz=5mm
 Reference Value = 22.4 V/m; Power Drift = 0.01 dB
 Peak SAR (extrapolated) = 0.928 W/kg
SAR(1 g) = 0.673 mW/g; SAR(10 g) = 0.429 mW/g
 Maximum value of SAR (measured) = 0.728 mW/g



0 dB = 0.728mW/g

Additional information:

position or distance of DUT to SAM: 15 mm
 ambient temperature: 23.5°C; liquid temperature: 23.5°C

Annex B.7: WCDMA FDD V 850MHz head

Date/Time: 24.03.2011 15:53:30 Date/Time: 24.03.2011 16:00:46

IEEE1528_OET65-LeftHandSide-WCDMA FDD V

DUT: Sony Ericsson; Type: AAD-3880111-BV; Serial: CB5A1CHJXX

Communication System: WCDMA FDD V; Frequency: 826.4 MHz; Duty Cycle: 1:1

Medium: HSL850 Medium parameters used (interpolated): $f = 826.4$ MHz; $\sigma = 0.91$ mho/m; $\epsilon_r = 42.8$; $\rho = 1000$ kg/m³

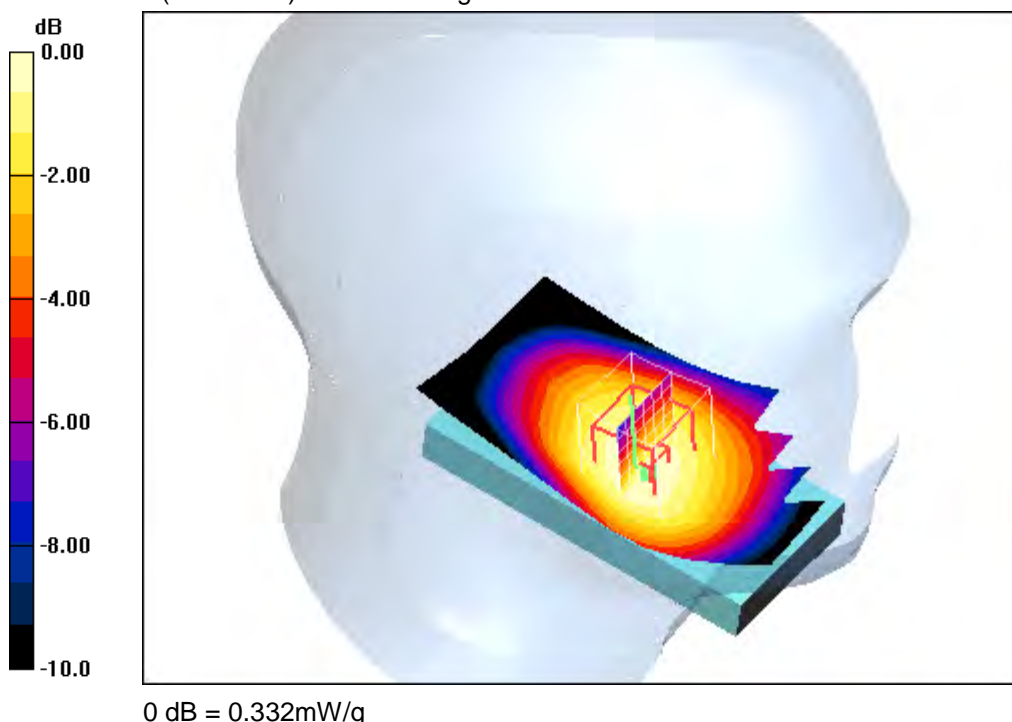
Phantom section: Left Section

DASY4 Configuration:

- Probe: ET3DV6 - SN1559; ConvF(6.33, 6.33, 6.33); Calibrated: 19.01.2011
- Sensor-Surface: 4mm (Mechanical And Optical Surface Detection)
- Electronics: DAE3 Sn477; Calibrated: 07.05.2010
- Phantom: SAM left; Type: SAM; Serial: 1041
- Measurement SW: DASY4, V4.7 Build 71; Postprocessing SW: SEMCAD, V1.8 Build 146

Touch position - Low/Area Scan (51x91x1): Measurement grid: dx=15mm, dy=15mm
 Maximum value of SAR (interpolated) = 0.326 mW/g

Touch position - Low/Zoom Scan (7x7x7) (7x7x7)/Cube 0: Measurement grid:
 dx=5mm, dy=5mm, dz=5mm
 Reference Value = 19.6 V/m; Power Drift = -0.056 dB
 Peak SAR (extrapolated) = 0.393 W/kg
SAR(1 g) = 0.319 mW/g; SAR(10 g) = 0.243 mW/g
 Maximum value of SAR (measured) = 0.332 mW/g



Additional information:
 ambient temperature: 22.9°C; liquid temperature: 21.1°C

Date/Time: 24.03.2011 15:30:43 Date/Time: 24.03.2011 15:37:19

IEEE1528_OET65-LeftHandSide-WCDMA FDD V

DUT: Sony Ericsson; Type: AAD-3880111-BV; Serial: CB5A1CHJXX

Communication System: WCDMA FDD V; Frequency: 836.4 MHz; Duty Cycle: 1:1

Medium: HSL850 Medium parameters used (interpolated): $f = 836.4$ MHz; $\sigma = 0.91$ mho/m; $\epsilon_r = 42.8$; $\rho = 1000$ kg/m³

Phantom section: Left Section

DASY4 Configuration:

- Probe: ET3DV6 - SN1559; ConvF(6.33, 6.33, 6.33); Calibrated: 19.01.2011
- Sensor-Surface: 4mm (Mechanical And Optical Surface Detection)
- Electronics: DAE3 Sn477; Calibrated: 07.05.2010
- Phantom: SAM left; Type: SAM; Serial: 1041
- Measurement SW: DASY4, V4.7 Build 71; Postprocessing SW: SEMCAD, V1.8 Build 146

Touch position - Middle/Area Scan (51x91x1): Measurement grid: dx=15mm, dy=15mm

Maximum value of SAR (interpolated) = 0.374 mW/g

Touch position - Middle/Zoom Scan (7x7x7) (7x7x7)/Cube 0: Measurement grid:

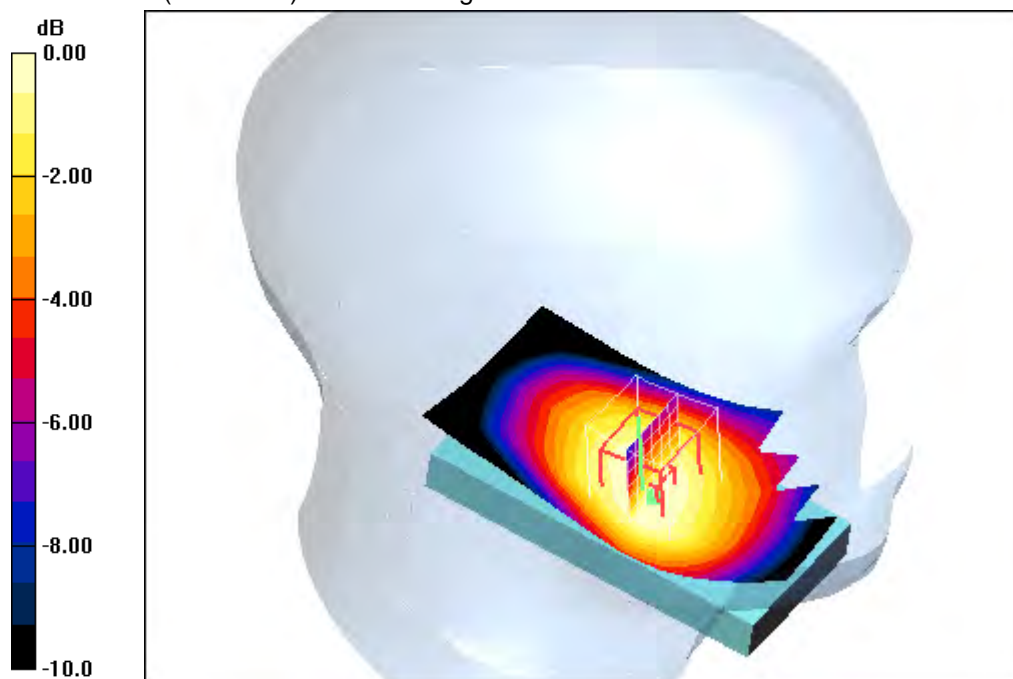
dx=5mm, dy=5mm, dz=5mm

Reference Value = 20.5 V/m; Power Drift = 0.011 dB

Peak SAR (extrapolated) = 0.441 W/kg

SAR(1 g) = 0.358 mW/g; SAR(10 g) = 0.275 mW/g

Maximum value of SAR (measured) = 0.373 mW/g



Additional information:

ambient temperature: 22.9°C; liquid temperature: 21.1°C

Date/Time: 24.03.2011 15:04:48 Date/Time: 24.03.2011 15:11:55

IEEE1528_OET65-LeftHandSide-WCDMA FDD V**DUT: Sony Ericsson; Type: AAD-3880111-BV; Serial: CB5A1CHJXX**

Communication System: WCDMA FDD V; Frequency: 846.6 MHz; Duty Cycle: 1:1

Medium: HSL850 Medium parameters used (interpolated): $f = 846.6$ MHz; $\sigma = 0.91$ mho/m; $\epsilon_r = 42.8$; $\rho = 1000$ kg/m³

Phantom section: Left Section

DASY4 Configuration:

- Probe: ET3DV6 - SN1559; ConvF(6.33, 6.33, 6.33); Calibrated: 19.01.2011

- Sensor-Surface: 4mm (Mechanical And Optical Surface Detection)

- Electronics: DAE3 Sn477; Calibrated: 07.05.2010

- Phantom: SAM left; Type: SAM; Serial: 1041

- Measurement SW: DASY4, V4.7 Build 71; Postprocessing SW: SEMCAD, V1.8 Build 146

Touch position - High/Area Scan (51x91x1): Measurement grid: dx=15mm, dy=15mm

Maximum value of SAR (interpolated) = 0.436 mW/g

Touch position - High/Zoom Scan (7x7x7) (7x7x7)/Cube 0: Measurement grid:

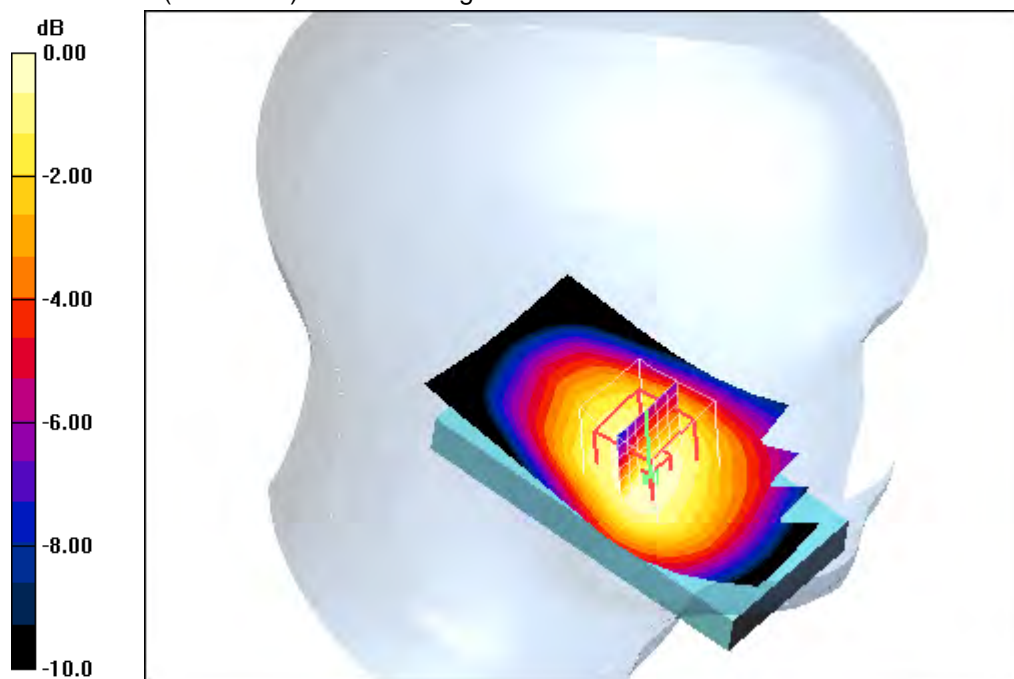
dx=5mm, dy=5mm, dz=5mm

Reference Value = 22.3 V/m; Power Drift = -0.061 dB

Peak SAR (extrapolated) = 0.523 W/kg

SAR(1 g) = 0.423 mW/g; SAR(10 g) = 0.322 mW/g

Maximum value of SAR (measured) = 0.450 mW/g



0 dB = 0.450mW/g

Additional information:

ambient temperature: 22.9°C; liquid temperature: 21.1°C

Date/Time: 24.03.2011 13:54:38 Date/Time: 24.03.2011 14:02:24

IEEE1528_OET65-LeftHandSide-WCDMA FDD V

DUT: Sony Ericsson; Type: AAD-3880111-BV; Serial: CB5A1CHJXX

Communication System: WCDMA FDD V; Frequency: 826.4 MHz; Duty Cycle: 1:1

Medium: HSL850 Medium parameters used (interpolated): $f = 826.4$ MHz; $\sigma = 0.91$ mho/m; $\epsilon_r = 42.8$; $\rho = 1000$ kg/m³

Phantom section: Left Section

DASY4 Configuration:

- Probe: ET3DV6 - SN1559; ConvF(6.33, 6.33, 6.33); Calibrated: 19.01.2011
- Sensor-Surface: 4mm (Mechanical And Optical Surface Detection)
- Electronics: DAE3 Sn477; Calibrated: 07.05.2010
- Phantom: SAM left; Type: SAM; Serial: 1041
- Measurement SW: DASY4, V4.7 Build 71; Postprocessing SW: SEMCAD, V1.8 Build 146

Tilt position - Low/Area Scan (51x91x1): Measurement grid: dx=15mm, dy=15mm

Maximum value of SAR (interpolated) = 0.225 mW/g

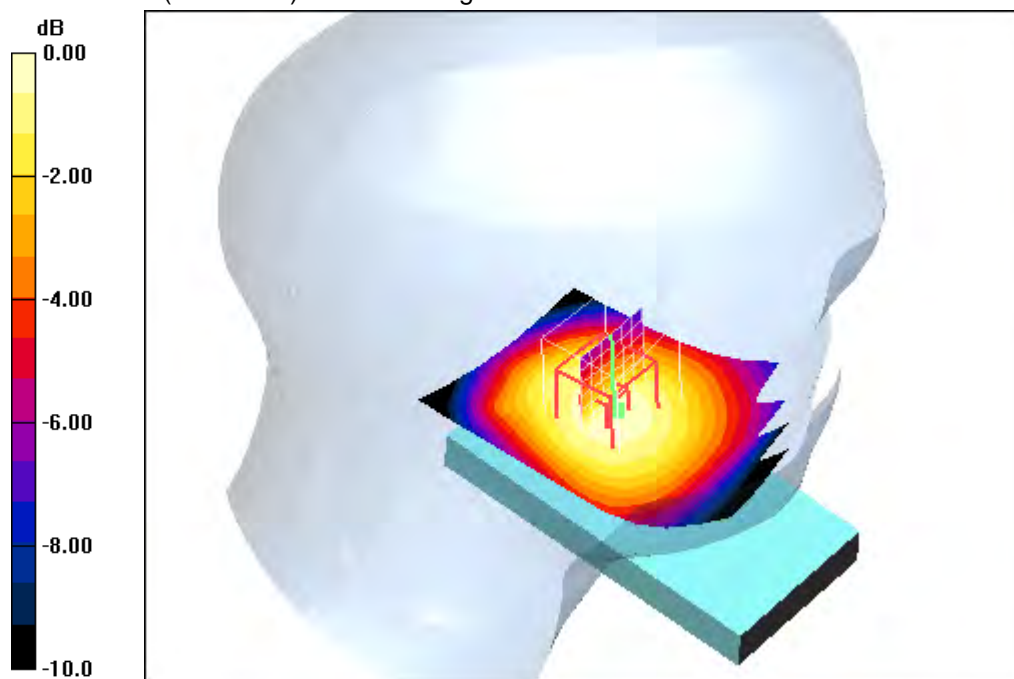
Tilt position - Low/Zoom Scan (7x7x7) (7x7x7)/Cube 0: Measurement grid: dx=5mm, dy=5mm, dz=5mm

Reference Value = 16.2 V/m; Power Drift = -0.031 dB

Peak SAR (extrapolated) = 0.272 W/kg

SAR(1 g) = 0.220 mW/g; SAR(10 g) = 0.166 mW/g

Maximum value of SAR (measured) = 0.229 mW/g



0 dB = 0.229mW/g

Additional information:

ambient temperature: 22.9°C; liquid temperature: 21.1°C

Date/Time: 24.03.2011 14:19:12 Date/Time: 24.03.2011 14:25:52

IEEE1528_OET65-LeftHandSide-WCDMA FDD V

DUT: Sony Ericsson; Type: AAD-3880111-BV; Serial: CB5A1CHJXX

Communication System: WCDMA FDD V; Frequency: 836.4 MHz; Duty Cycle: 1:1

Medium: HSL850 Medium parameters used (interpolated): $f = 836.4$ MHz; $\sigma = 0.91$ mho/m; $\epsilon_r = 42.8$; $\rho = 1000$ kg/m³

Phantom section: Left Section

DASY4 Configuration:

- Probe: ET3DV6 - SN1559; ConvF(6.33, 6.33, 6.33); Calibrated: 19.01.2011
- Sensor-Surface: 4mm (Mechanical And Optical Surface Detection)
- Electronics: DAE3 Sn477; Calibrated: 07.05.2010
- Phantom: SAM left; Type: SAM; Serial: 1041
- Measurement SW: DASY4, V4.7 Build 71; Postprocessing SW: SEMCAD, V1.8 Build 146

Tilt position - Middle/Area Scan (51x91x1): Measurement grid: dx=15mm, dy=15mm

Maximum value of SAR (interpolated) = 0.255 mW/g

Tilt position - Middle/Zoom Scan (7x7x7) (7x7x7)/Cube 0: Measurement grid:

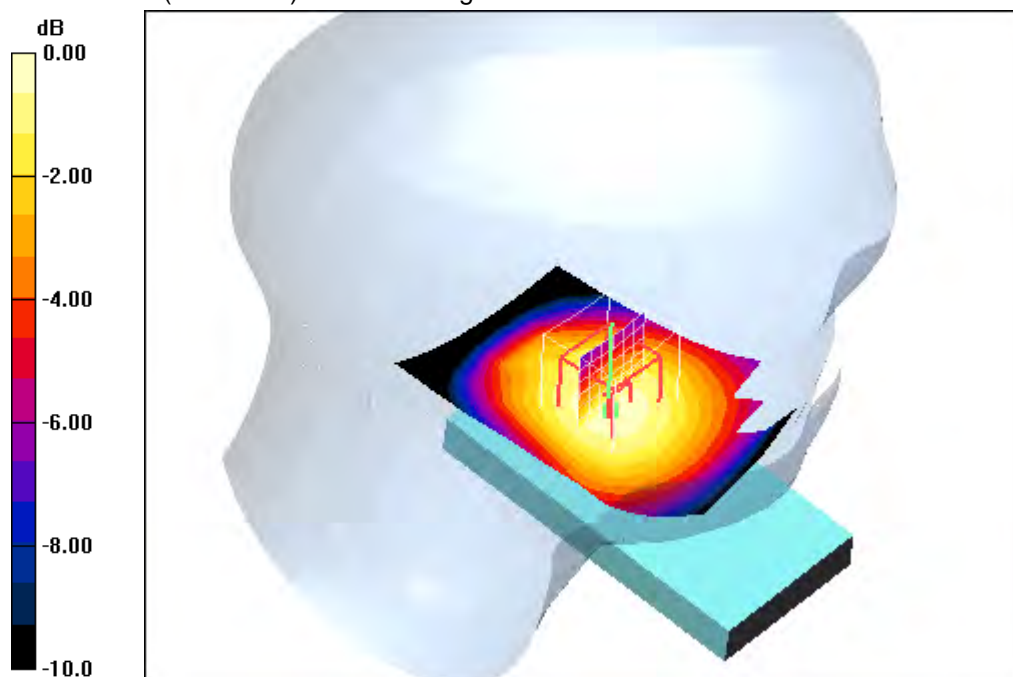
dx=5mm, dy=5mm, dz=5mm

Reference Value = 17.0 V/m; Power Drift = -0.021 dB

Peak SAR (extrapolated) = 0.311 W/kg

SAR(1 g) = 0.253 mW/g; SAR(10 g) = 0.190 mW/g

Maximum value of SAR (measured) = 0.265 mW/g



0 dB = 0.265mW/g

Additional information:

ambient temperature: 22.9°C; liquid temperature: 21.1°C

Date/Time: 24.03.2011 14:40:43 Date/Time: 24.03.2011 14:48:03

IEEE1528_OET65-LeftHandSide-WCDMA FDD V

DUT: Sony Ericsson; Type: AAD-3880111-BV; Serial: CB5A1CHJXX

Communication System: WCDMA FDD V; Frequency: 846.6 MHz; Duty Cycle: 1:1

Medium: HSL850 Medium parameters used (interpolated): $f = 846.6$ MHz; $\sigma = 0.91$ mho/m; $\epsilon_r = 42.8$; $\rho = 1000$ kg/m³

Phantom section: Left Section

DASY4 Configuration:

- Probe: ET3DV6 - SN1559; ConvF(6.33, 6.33, 6.33); Calibrated: 19.01.2011
- Sensor-Surface: 4mm (Mechanical And Optical Surface Detection)
- Electronics: DAE3 Sn477; Calibrated: 07.05.2010
- Phantom: SAM left; Type: SAM; Serial: 1041
- Measurement SW: DASY4, V4.7 Build 71; Postprocessing SW: SEMCAD, V1.8 Build 146

Tilt position - High/Area Scan (51x91x1): Measurement grid: dx=15mm, dy=15mm

Maximum value of SAR (interpolated) = 0.295 mW/g

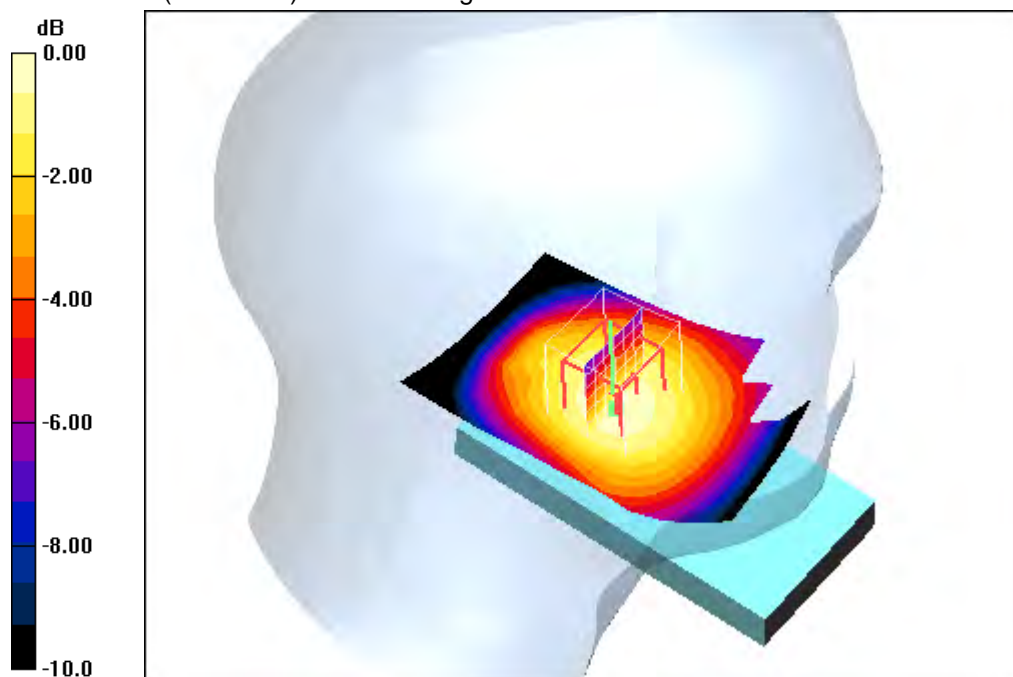
Tilt position - High/Zoom Scan (7x7x7) (7x7x7)/Cube 0: Measurement grid: dx=5mm, dy=5mm, dz=5mm

Reference Value = 18.4 V/m; Power Drift = -0.079 dB

Peak SAR (extrapolated) = 0.356 W/kg

SAR(1 g) = 0.291 mW/g; SAR(10 g) = 0.218 mW/g

Maximum value of SAR (measured) = 0.303 mW/g



0 dB = 0.303mW/g

Additional information:

ambient temperature: 22.9°C; liquid temperature: 21.1°C

Date/Time: 23.03.2011 13:06:09 Date/Time: 23.03.2011 13:36:32

IEEE1528_OET65-LeftHandSide-WCDMA FDD V slide opened

DUT: Sony Ericsson; Type: AAD-3880111-BV; Serial: CB5A1CHJXX

Communication System: WCDMA FDD V; Frequency: 826.4 MHz; Duty Cycle: 1:1

Medium: HSL850 Medium parameters used (interpolated): $f = 826.4$ MHz; $\sigma = 0.91$ mho/m; $\epsilon_r = 42.8$; $\rho = 1000$ kg/m³

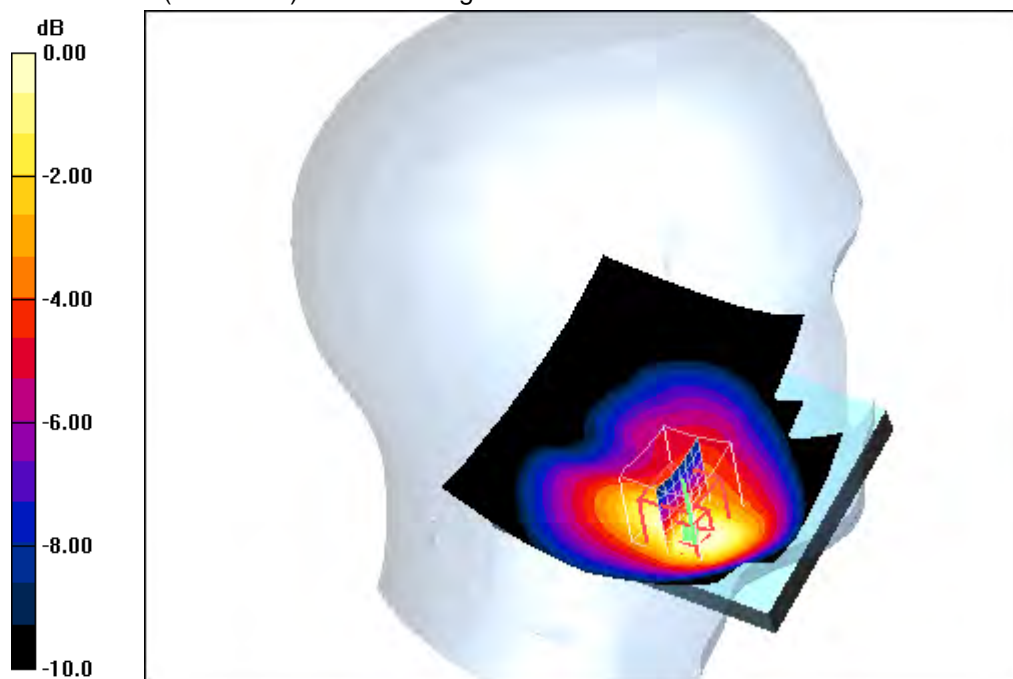
Phantom section: Left Section

DASY4 Configuration:

- Probe: ET3DV6 - SN1559; ConvF(6.33, 6.33, 6.33); Calibrated: 19.01.2011
- Sensor-Surface: 4mm (Mechanical And Optical Surface Detection)
- Electronics: DAE3 Sn477; Calibrated: 07.05.2010
- Phantom: SAM left; Type: SAM; Serial: 1041
- Measurement SW: DASY4, V4.7 Build 71; Postprocessing SW: SEMCAD, V1.8 Build 146

Touch position - Low/Area Scan (81x91x1): Measurement grid: dx=15mm, dy=15mm
 Maximum value of SAR (interpolated) = 0.520 mW/g

Touch position - Low/Zoom Scan (7x7x7) (7x7x7)/Cube 0: Measurement grid:
 dx=5mm, dy=5mm, dz=5mm
 Reference Value = 24.5 V/m; Power Drift = 0.021 dB
 Peak SAR (extrapolated) = 0.667 W/kg
SAR(1 g) = 0.467 mW/g; SAR(10 g) = 0.304 mW/g
 Maximum value of SAR (measured) = 0.489 mW/g



0 dB = 0.489mW/g

Additional information:

ambient temperature: 22.3°C; liquid temperature: 20.9°C

Date/Time: 23.03.2011 13:52:37 Date/Time: 23.03.2011 14:03:35

IEEE1528_OET65-LeftHandSide-WCDMA FDD V slide opened

DUT: Sony Ericsson; Type: AAD-3880111-BV; Serial: CB5A1CHJXX

Communication System: WCDMA FDD V; Frequency: 836.4 MHz; Duty Cycle: 1:1

Medium: HSL850 Medium parameters used (interpolated): $f = 836.4$ MHz; $\sigma = 0.91$ mho/m; $\epsilon_r = 42.8$; $\rho = 1000$ kg/m³

Phantom section: Left Section

DASY4 Configuration:

- Probe: ET3DV6 - SN1559; ConvF(6.33, 6.33, 6.33); Calibrated: 19.01.2011
- Sensor-Surface: 4mm (Mechanical And Optical Surface Detection)
- Electronics: DAE3 Sn477; Calibrated: 07.05.2010
- Phantom: SAM left; Type: SAM; Serial: 1041
- Measurement SW: DASY4, V4.7 Build 71; Postprocessing SW: SEMCAD, V1.8 Build 146

Touch position - Middle/Area Scan (81x91x1): Measurement grid: dx=15mm, dy=15mm

Maximum value of SAR (interpolated) = 0.689 mW/g

Touch position - Middle/Zoom Scan (7x7x7) (7x7x7)/Cube 0: Measurement grid:

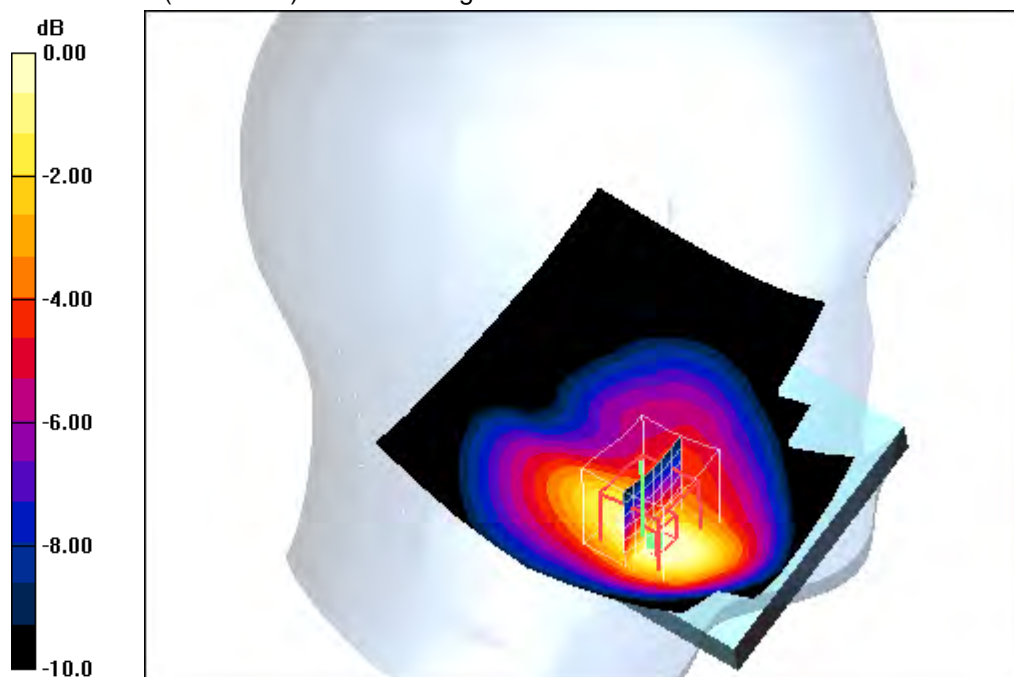
dx=5mm, dy=5mm, dz=5mm

Reference Value = 27.9 V/m; Power Drift = 0.022 dB

Peak SAR (extrapolated) = 0.880 W/kg

SAR(1 g) = 0.616 mW/g; SAR(10 g) = 0.396 mW/g

Maximum value of SAR (measured) = 0.655 mW/g



0 dB = 0.655mW/g

Additional information:

ambient temperature: 22.3°C; liquid temperature: 20.9°C

Date/Time: 23.03.2011 14:18:42 Date/Time: 23.03.2011 14:29:34

IEEE1528_OET65-LeftHandSide-WCDMA FDD V slide opened

DUT: Sony Ericsson; Type: AAD-3880111-BV; Serial: CB5A1CHJXX

Communication System: WCDMA FDD V; Frequency: 846.6 MHz; Duty Cycle: 1:1

Medium: HSL850 Medium parameters used (interpolated): $f = 846.6$ MHz; $\sigma = 0.91$ mho/m; $\epsilon_r = 42.8$; $\rho = 1000$ kg/m³

Phantom section: Left Section

DASY4 Configuration:

- Probe: ET3DV6 - SN1559; ConvF(6.33, 6.33, 6.33); Calibrated: 19.01.2011
- Sensor-Surface: 4mm (Mechanical And Optical Surface Detection)
- Electronics: DAE3 Sn477; Calibrated: 07.05.2010
- Phantom: SAM left; Type: SAM; Serial: 1041
- Measurement SW: DASY4, V4.7 Build 71; Postprocessing SW: SEMCAD, V1.8 Build 146

Touch position - High/Area Scan (81x91x1): Measurement grid: dx=15mm, dy=15mm

Maximum value of SAR (interpolated) = 0.819 mW/g

Touch position - High/Zoom Scan (7x7x7) (7x7x7)/Cube 0: Measurement grid:

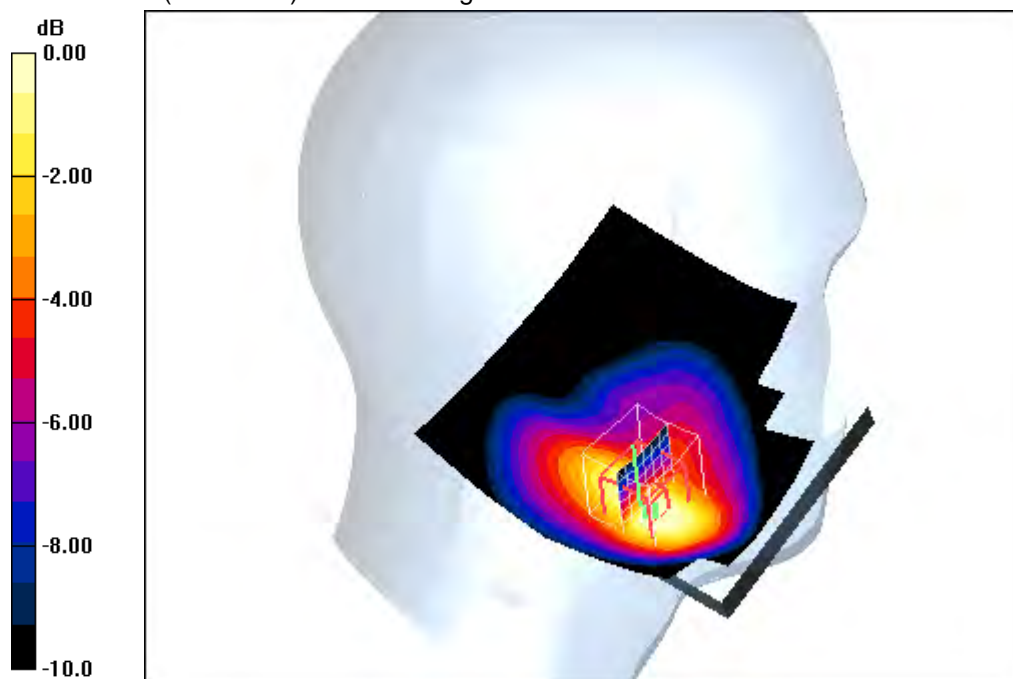
dx=5mm, dy=5mm, dz=5mm

Reference Value = 30.5 V/m; Power Drift = 0.032 dB

Peak SAR (extrapolated) = 1.05 W/kg

SAR(1 g) = 0.731 mW/g; SAR(10 g) = 0.469 mW/g

Maximum value of SAR (measured) = 0.782 mW/g



0 dB = 0.782mW/g

Additional information:

ambient temperature: 22.3°C; liquid temperature: 20.9°C

Date/Time: 23.03.2011 16:00:40 Date/Time: 23.03.2011 16:10:38

IEEE1528_OET65-LeftHandSide-WCDMA FDD V slide opened

DUT: Sony Ericsson; Type: AAD-3880111-BV; Serial: CB5A1CHJXX

Communication System: WCDMA FDD V; Frequency: 826.4 MHz; Duty Cycle: 1:1

Medium: HSL850 Medium parameters used (interpolated): $f = 826.4$ MHz; $\sigma = 0.91$ mho/m; $\epsilon_r = 42.8$; $\rho = 1000$ kg/m³

Phantom section: Left Section

DASY4 Configuration:

- Probe: ET3DV6 - SN1559; ConvF(6.33, 6.33, 6.33); Calibrated: 19.01.2011
- Sensor-Surface: 4mm (Mechanical And Optical Surface Detection)
- Electronics: DAE3 Sn477; Calibrated: 07.05.2010
- Phantom: SAM left; Type: SAM; Serial: 1041
- Measurement SW: DASY4, V4.7 Build 71; Postprocessing SW: SEMCAD, V1.8 Build 146

Tilt position - Low/Area Scan (81x91x1): Measurement grid: dx=15mm, dy=15mm

Maximum value of SAR (interpolated) = 0.123 mW/g

Tilt position - Low/Zoom Scan (7x7x7) (7x12x7)/Cube 0: Measurement grid:

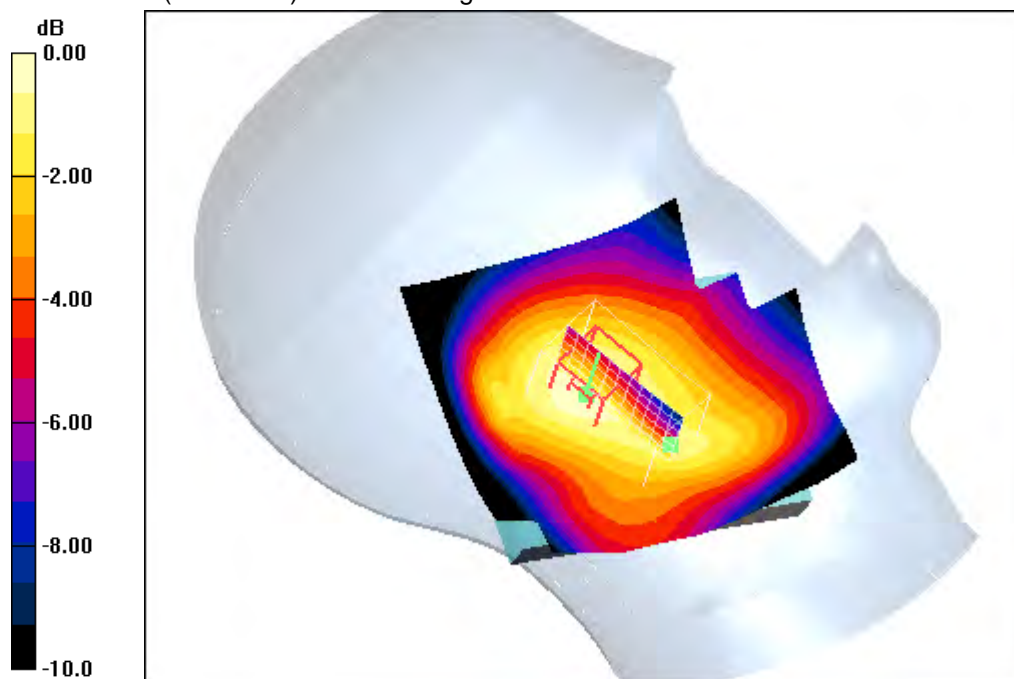
dx=5mm, dy=5mm, dz=5mm

Reference Value = 12.0 V/m; Power Drift = -0.049 dB

Peak SAR (extrapolated) = 0.144 W/kg

SAR(1 g) = 0.121 mW/g; SAR(10 g) = 0.094 mW/g

Maximum value of SAR (measured) = 0.127 mW/g



0 dB = 0.127mW/g

Additional information:

ambient temperature: 22.3°C; liquid temperature: 20.9°C

Date/Time: 23.03.2011 15:24:37 Date/Time: 23.03.2011 15:36:56

IEEE1528_OET65-LeftHandSide-WCDMA FDD V slide opened

DUT: Sony Ericsson; Type: AAD-3880111-BV; Serial: CB5A1CHJXX

Communication System: WCDMA FDD V; Frequency: 836.4 MHz; Duty Cycle: 1:1

Medium: HSL850 Medium parameters used (interpolated): $f = 836.4$ MHz; $\sigma = 0.91$ mho/m; $\epsilon_r = 42.8$; $\rho = 1000$ kg/m³

Phantom section: Left Section

DASY4 Configuration:

- Probe: ET3DV6 - SN1559; ConvF(6.33, 6.33, 6.33); Calibrated: 19.01.2011
- Sensor-Surface: 4mm (Mechanical And Optical Surface Detection)
- Electronics: DAE3 Sn477; Calibrated: 07.05.2010
- Phantom: SAM left; Type: SAM; Serial: 1041
- Measurement SW: DASY4, V4.7 Build 71; Postprocessing SW: SEMCAD, V1.8 Build 146

Tilt position - Middle/Area Scan (81x91x1): Measurement grid: dx=15mm, dy=15mm

Maximum value of SAR (interpolated) = 0.143 mW/g

Tilt position - Middle/Zoom Scan (7x7x7) (7x12x7)/Cube 0: Measurement grid:

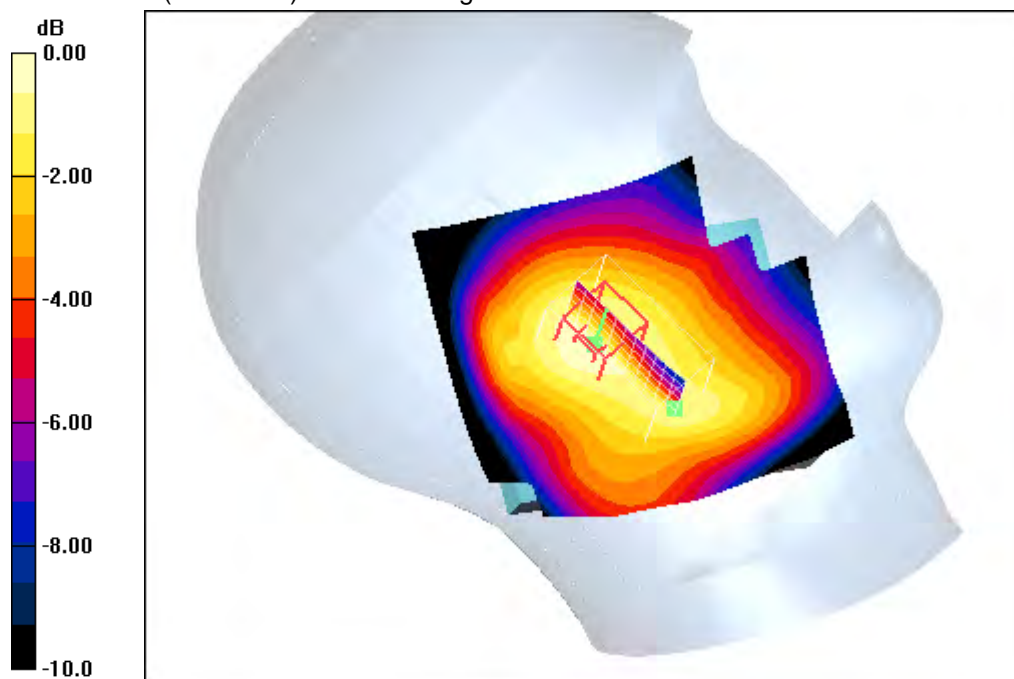
dx=5mm, dy=5mm, dz=5mm

Reference Value = 12.9 V/m; Power Drift = -0.150 dB

Peak SAR (extrapolated) = 0.165 W/kg

SAR(1 g) = 0.139 mW/g; SAR(10 g) = 0.108 mW/g

Maximum value of SAR (measured) = 0.146 mW/g



0 dB = 0.146mW/g

Additional information:

ambient temperature: 22.3°C; liquid temperature: 20.9°C

Date/Time: 23.03.2011 14:48:24 Date/Time: 23.03.2011 15:02:36

IEEE1528_OET65-LeftHandSide-WCDMA FDD V slide opened**DUT: Sony Ericsson; Type: AAD-3880111-BV; Serial: CB5A1CHJXX**

Communication System: WCDMA FDD V; Frequency: 846.6 MHz; Duty Cycle: 1:1

Medium: HSL850 Medium parameters used (interpolated): $f = 846.6$ MHz; $\sigma = 0.91$ mho/m; $\epsilon_r = 42.8$; $\rho = 1000$ kg/m³

Phantom section: Left Section

DASY4 Configuration:

- Probe: ET3DV6 - SN1559; ConvF(6.33, 6.33, 6.33); Calibrated: 19.01.2011

- Sensor-Surface: 4mm (Mechanical And Optical Surface Detection)

- Electronics: DAE3 Sn477; Calibrated: 07.05.2010

- Phantom: SAM left; Type: SAM; Serial: 1041

- Measurement SW: DASY4, V4.7 Build 71; Postprocessing SW: SEMCAD, V1.8 Build 146

Tilt position - High/Area Scan (81x91x1): Measurement grid: dx=15mm, dy=15mm

Maximum value of SAR (interpolated) = 0.150 mW/g

Tilt position - High/Zoom Scan (7x7x7) (7x12x7)/Cube 0: Measurement grid:

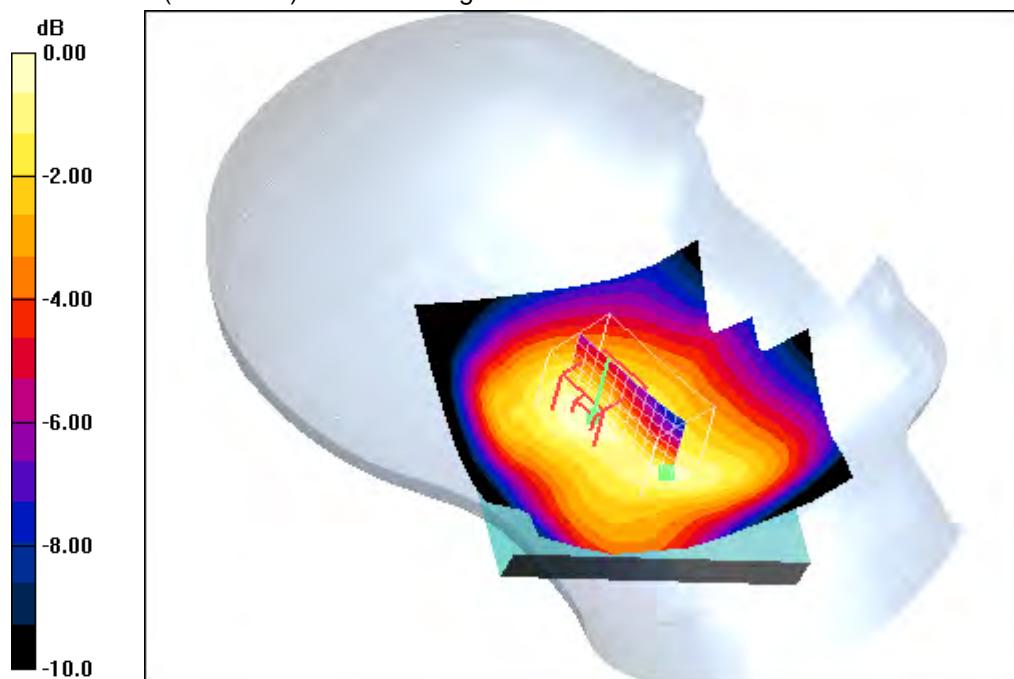
dx=5mm, dy=5mm, dz=5mm

Reference Value = 13.0 V/m; Power Drift = 0.025 dB

Peak SAR (extrapolated) = 0.178 W/kg

SAR(1 g) = 0.145 mW/g; SAR(10 g) = 0.113 mW/g

Maximum value of SAR (measured) = 0.153 mW/g

**Additional information:**

ambient temperature: 22.3°C; liquid temperature: 20.9°C

Date/Time: 24.03.2011 11:01:20 Date/Time: 24.03.2011 11:07:49

IEEE1528_OET65-RightHandSide-WCDMA FDD V**DUT: Sony Ericsson; Type: AAD-3880111-BV; Serial: CB5A1CHJXX**

Communication System: WCDMA FDD V; Frequency: 826.4 MHz; Duty Cycle: 1:1

Medium: HSL850 Medium parameters used (interpolated): $f = 826.4$ MHz; $\sigma = 0.91$ mho/m; $\epsilon_r = 42.8$; $\rho = 1000$ kg/m³

Phantom section: Right Section

DASY4 Configuration:

- Probe: ET3DV6 - SN1559; ConvF(6.33, 6.33, 6.33); Calibrated: 19.01.2011
- Sensor-Surface: 4mm (Mechanical And Optical Surface Detection)
- Electronics: DAE3 Sn477; Calibrated: 07.05.2010
- Phantom: SAM left; Type: SAM; Serial: 1041
- Measurement SW: DASY4, V4.7 Build 71; Postprocessing SW: SEMCAD, V1.8 Build 146

Touch position - Low/Area Scan (51x91x1): Measurement grid: dx=15mm, dy=15mm

Maximum value of SAR (interpolated) = 0.294 mW/g

Touch position - Low/Zoom Scan (7x7x7) (7x7x7)/Cube 0: Measurement grid:

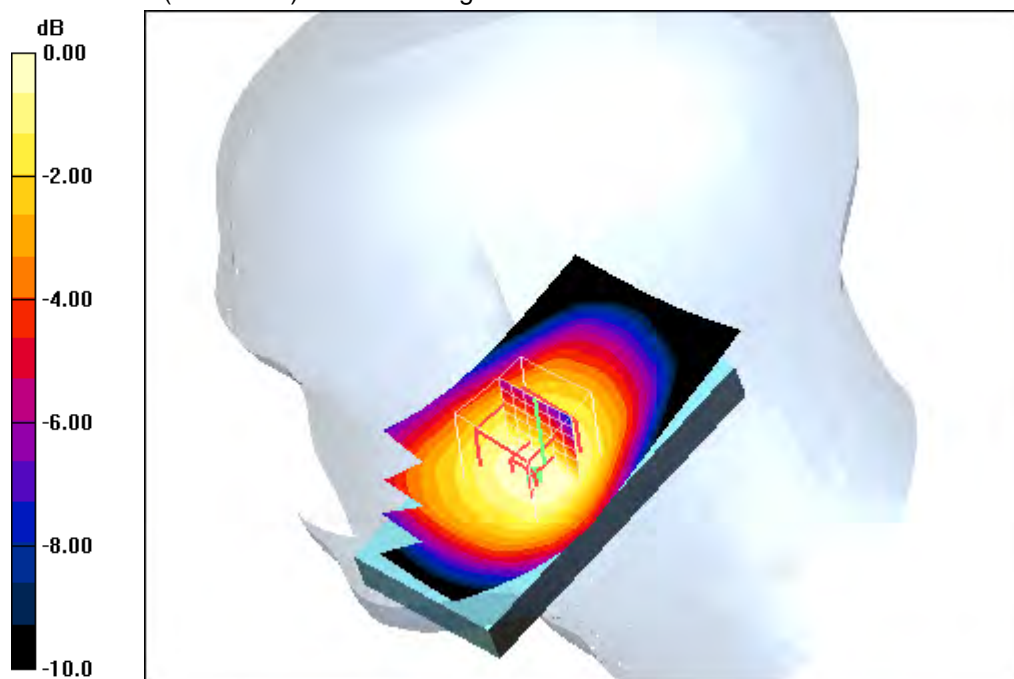
dx=5mm, dy=5mm, dz=5mm

Reference Value = 18.4 V/m; Power Drift = -0.00 dB

Peak SAR (extrapolated) = 0.357 W/kg

SAR(1 g) = 0.286 mW/g; SAR(10 g) = 0.219 mW/g

Maximum value of SAR (measured) = 0.302 mW/g



0 dB = 0.302mW/g

Additional information:

ambient temperature: 22.9°C; liquid temperature: 21.1°C

Date/Time: 24.03.2011 11:22:37 Date/Time: 24.03.2011 11:29:37

IEEE1528_OET65-RightHandSide-WCDMA FDD V**DUT: Sony Ericsson; Type: AAD-3880111-BV; Serial: CB5A1CHJXX**

Communication System: WCDMA FDD V; Frequency: 836.4 MHz; Duty Cycle: 1:1

Medium: HSL850 Medium parameters used (interpolated): $f = 836.4$ MHz; $\sigma = 0.91$ mho/m; $\epsilon_r = 42.8$; $\rho = 1000$ kg/m³

Phantom section: Right Section

DASY4 Configuration:

- Probe: ET3DV6 - SN1559; ConvF(6.33, 6.33, 6.33); Calibrated: 19.01.2011

- Sensor-Surface: 4mm (Mechanical And Optical Surface Detection)

- Electronics: DAE3 Sn477; Calibrated: 07.05.2010

- Phantom: SAM left; Type: SAM; Serial: 1041

- Measurement SW: DASY4, V4.7 Build 71; Postprocessing SW: SEMCAD, V1.8 Build 146

Touch position - Middle/Area Scan (51x91x1): Measurement grid: dx=15mm, dy=15mm

Maximum value of SAR (interpolated) = 0.346 mW/g

Touch position - Middle/Zoom Scan (7x7x7) (7x7x7)/Cube 0: Measurement grid:

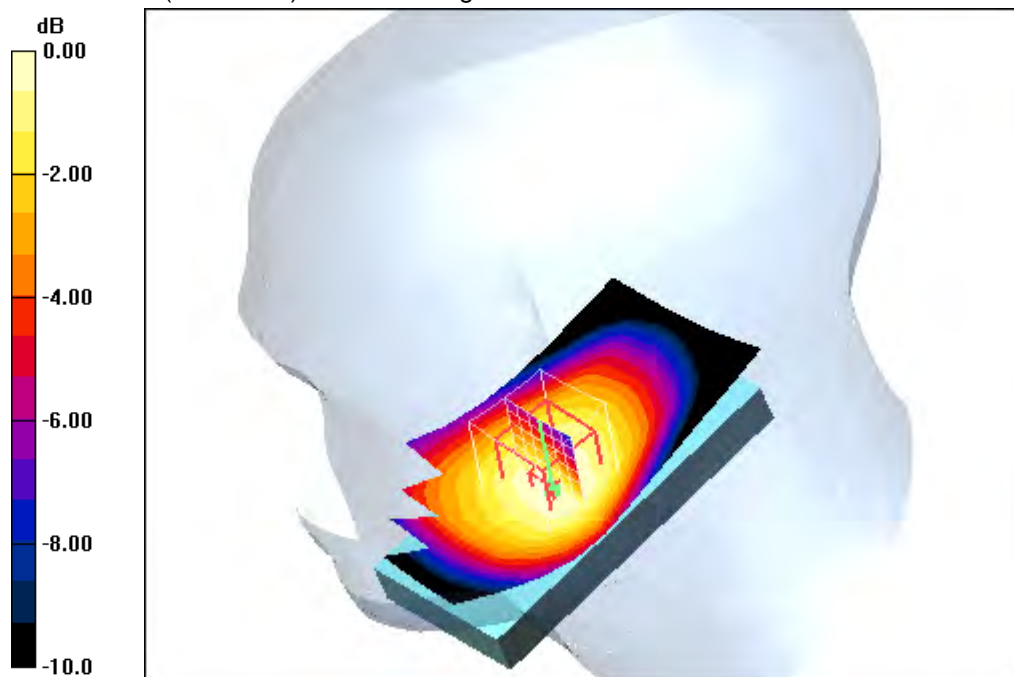
dx=5mm, dy=5mm, dz=5mm

Reference Value = 19.9 V/m; Power Drift = 0.056 dB

Peak SAR (extrapolated) = 0.415 W/kg

SAR(1 g) = 0.337 mW/g; SAR(10 g) = 0.257 mW/g

Maximum value of SAR (measured) = 0.354 mW/g

**Additional information:**

ambient temperature: 22.9°C; liquid temperature: 21.1°C

Date/Time: 24.03.2011 11:45:02 Date/Time: 24.03.2011 11:52:33

IEEE1528_OET65-RightHandSide-WCDMA FDD V**DUT: Sony Ericsson; Type: AAD-3880111-BV; Serial: CB5A1CHJXX**

Communication System: WCDMA FDD V; Frequency: 846.6 MHz; Duty Cycle: 1:1

Medium: HSL850 Medium parameters used (interpolated): $f = 846.6$ MHz; $\sigma = 0.91$ mho/m; $\epsilon_r = 42.8$; $\rho = 1000$ kg/m³

Phantom section: Right Section

DASY4 Configuration:

- Probe: ET3DV6 - SN1559; ConvF(6.33, 6.33, 6.33); Calibrated: 19.01.2011

- Sensor-Surface: 4mm (Mechanical And Optical Surface Detection)

- Electronics: DAE3 Sn477; Calibrated: 07.05.2010

- Phantom: SAM left; Type: SAM; Serial: 1041

- Measurement SW: DASY4, V4.7 Build 71; Postprocessing SW: SEMCAD, V1.8 Build 146

Touch position - High/Area Scan (51x91x1): Measurement grid: dx=15mm, dy=15mm

Maximum value of SAR (interpolated) = 0.400 mW/g

Touch position - High/Zoom Scan (7x7x7) (7x7x7)/Cube 0: Measurement grid:

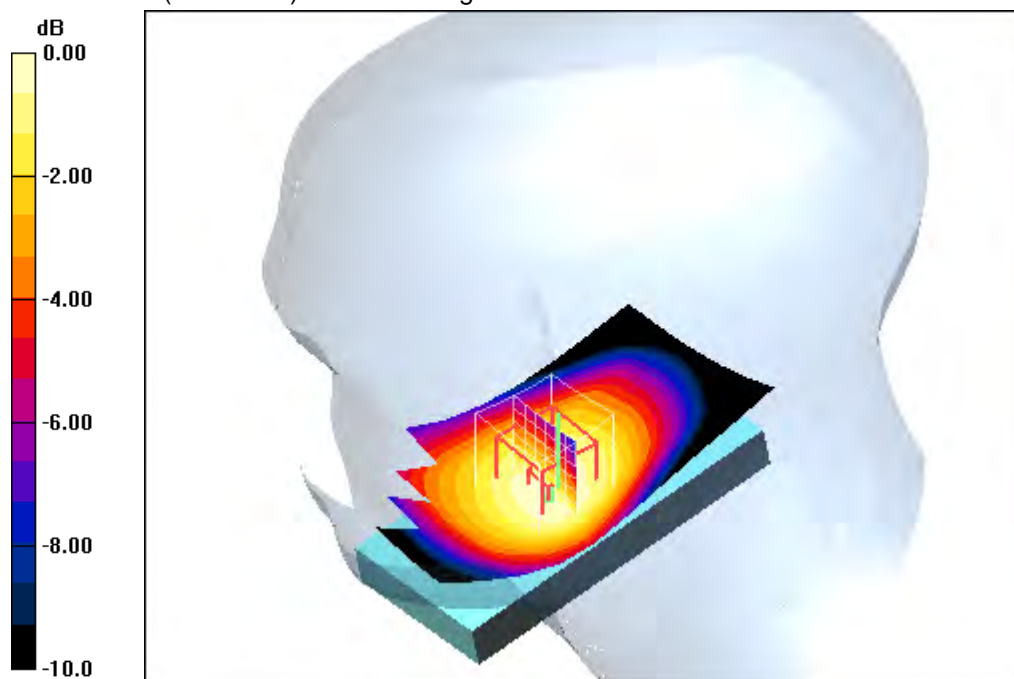
dx=5mm, dy=5mm, dz=5mm

Reference Value = 21.4 V/m; Power Drift = -0.022 dB

Peak SAR (extrapolated) = 0.493 W/kg

SAR(1 g) = 0.386 mW/g; SAR(10 g) = 0.297 mW/g

Maximum value of SAR (measured) = 0.410 mW/g



0 dB = 0.410mW/g

Additional information:

ambient temperature: 22.9°C; liquid temperature: 21.1°C

Date/Time: 24.03.2011 13:17:35 Date/Time: 24.03.2011 13:27:32

IEEE1528_OET65-RightHandSide-WCDMA FDD V

DUT: Sony Ericsson; Type: AAD-3880111-BV; Serial: CB5A1CHJXX

Communication System: WCDMA FDD V; Frequency: 826.4 MHz; Duty Cycle: 1:1

Medium: HSL850 Medium parameters used (interpolated): $f = 826.4$ MHz; $\sigma = 0.91$ mho/m; $\epsilon_r = 42.8$; $\rho = 1000$ kg/m³

Phantom section: Right Section

DASY4 Configuration:

- Probe: ET3DV6 - SN1559; ConvF(6.33, 6.33, 6.33); Calibrated: 19.01.2011
- Sensor-Surface: 4mm (Mechanical And Optical Surface Detection)
- Electronics: DAE3 Sn477; Calibrated: 07.05.2010
- Phantom: SAM left; Type: SAM; Serial: 1041
- Measurement SW: DASY4, V4.7 Build 71; Postprocessing SW: SEMCAD, V1.8 Build 146

Tilt position - Low/Area Scan (51x91x1): Measurement grid: dx=15mm, dy=15mm

Maximum value of SAR (interpolated) = 0.245 mW/g

Tilt position - Low/Zoom Scan (7x7x7) (7x12x7)/Cube 0: Measurement grid:

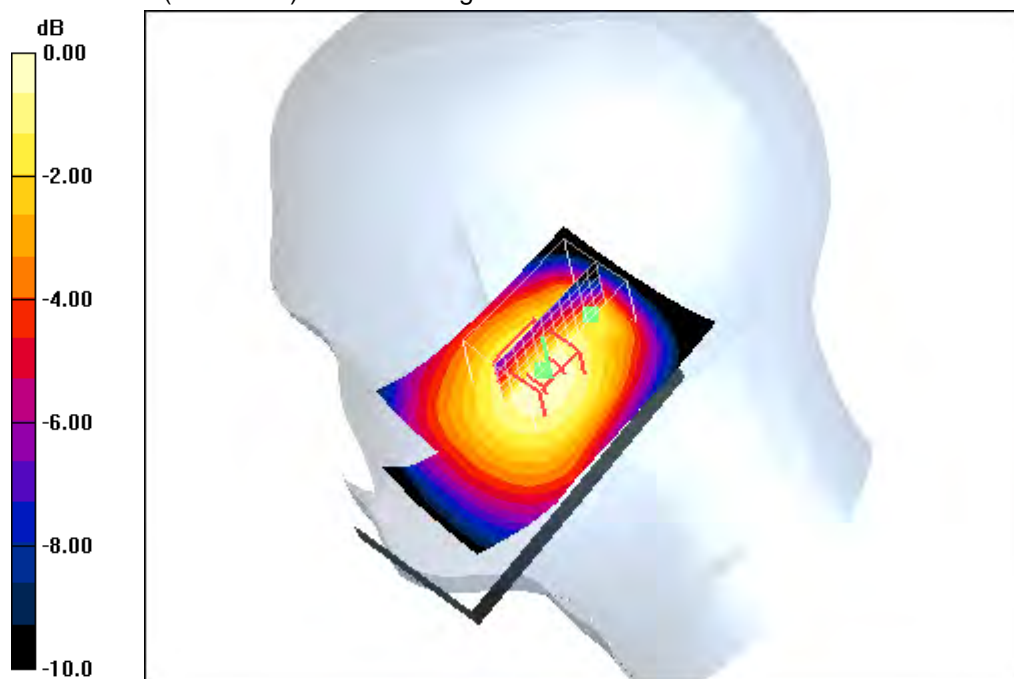
dx=5mm, dy=5mm, dz=5mm

Reference Value = 16.7 V/m; Power Drift = -0.038 dB

Peak SAR (extrapolated) = 0.304 W/kg

SAR(1 g) = 0.238 mW/g; SAR(10 g) = 0.177 mW/g

Maximum value of SAR (measured) = 0.249 mW/g



0 dB = 0.249mW/g

Additional information:

ambient temperature: 22.9°C; liquid temperature: 21.1°C

Date/Time: 24.03.2011 12:46:54 Date/Time: 24.03.2011 12:55:56

IEEE1528_OET65-RightHandSide-WCDMA FDD V**DUT: Sony Ericsson; Type: AAD-3880111-BV; Serial: CB5A1CHJXX**

Communication System: WCDMA FDD V; Frequency: 836.4 MHz; Duty Cycle: 1:1

Medium: HSL850 Medium parameters used (interpolated): $f = 836.4$ MHz; $\sigma = 0.91$ mho/m; $\epsilon_r = 42.8$; $\rho = 1000$ kg/m³

Phantom section: Right Section

DASY4 Configuration:

- Probe: ET3DV6 - SN1559; ConvF(6.33, 6.33, 6.33); Calibrated: 19.01.2011
- Sensor-Surface: 4mm (Mechanical And Optical Surface Detection)
- Electronics: DAE3 Sn477; Calibrated: 07.05.2010
- Phantom: SAM left; Type: SAM; Serial: 1041
- Measurement SW: DASY4, V4.7 Build 71; Postprocessing SW: SEMCAD, V1.8 Build 146

Tilt position - Middle/Area Scan (51x91x1): Measurement grid: dx=15mm, dy=15mm

Maximum value of SAR (interpolated) = 0.286 mW/g

Tilt position - Middle/Zoom Scan (7x7x7) (7x11x7)/Cube 0: Measurement grid:

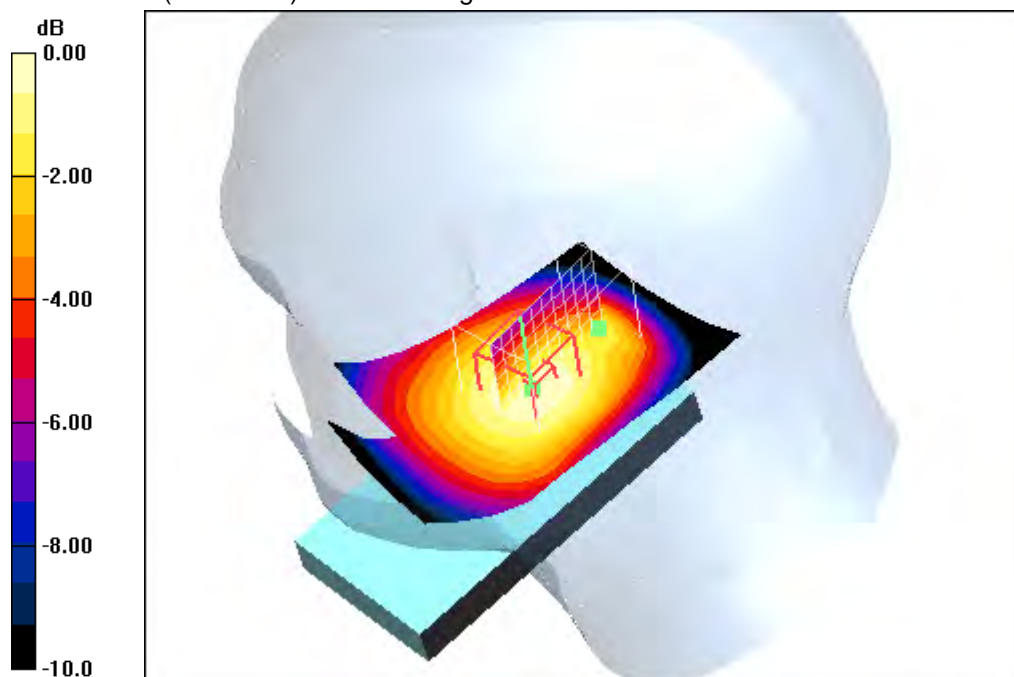
dx=5mm, dy=5mm, dz=5mm

Reference Value = 18.1 V/m; Power Drift = -0.047 dB

Peak SAR (extrapolated) = 0.345 W/kg

SAR(1 g) = 0.276 mW/g; SAR(10 g) = 0.207 mW/g

Maximum value of SAR (measured) = 0.289 mW/g



0 dB = 0.289mW/g

Additional information:

ambient temperature: 22.9°C; liquid temperature: 21.1°C

Date/Time: 24.03.2011 12:11:11 Date/Time: 24.03.2011 12:18:48 Date/Time: 24.03.2011 12:31:53

IEEE1528_OET65-RightHandSide-WCDMA FDD V

DUT: Sony Ericsson; Type: AAD-3880111-BV; Serial: CB5A1CHJXX

Communication System: WCDMA FDD V; Frequency: 846.6 MHz; Duty Cycle: 1:1

Medium: HSL850 Medium parameters used (interpolated): $f = 846.6$ MHz; $\sigma = 0.91$ mho/m; $\epsilon_r = 42.8$; $\rho = 1000$ kg/m³

Phantom section: Right Section

DASY4 Configuration:

- Probe: ET3DV6 - SN1559; ConvF(6.33, 6.33, 6.33); Calibrated: 19.01.2011
- Sensor-Surface: 4mm (Mechanical And Optical Surface Detection)
- Electronics: DAE3 Sn477; Calibrated: 07.05.2010
- Phantom: SAM left; Type: SAM; Serial: 1041
- Measurement SW: DASY4, V4.7 Build 71; Postprocessing SW: SEMCAD, V1.8 Build 146

Tilt position - High/Area Scan (51x91x1): Measurement grid: dx=15mm, dy=15mm

Maximum value of SAR (interpolated) = 0.320 mW/g

Tilt position - High/Zoom Scan (7x7x7) (7x7x7)/Cube 0: Measurement grid: dx=5mm, dy=5mm, dz=5mm

Reference Value = 19.0 V/m; Power Drift = 0.031 dB

Peak SAR (extrapolated) = 0.379 W/kg

Peak SAR (extrapolated) = 0.379 W/kg

SAR(1 g) = 0.304 mW/g; SAR(10 g) = 0.228 mW/g

Maximum value of SAR (measured) = 0.324 mW/g

Tilt position - High/Zoom Scan (7x7x7) (7x7x7)/Cube 1: Measurement grid: dx=5mm, dy=5mm, dz=5mm

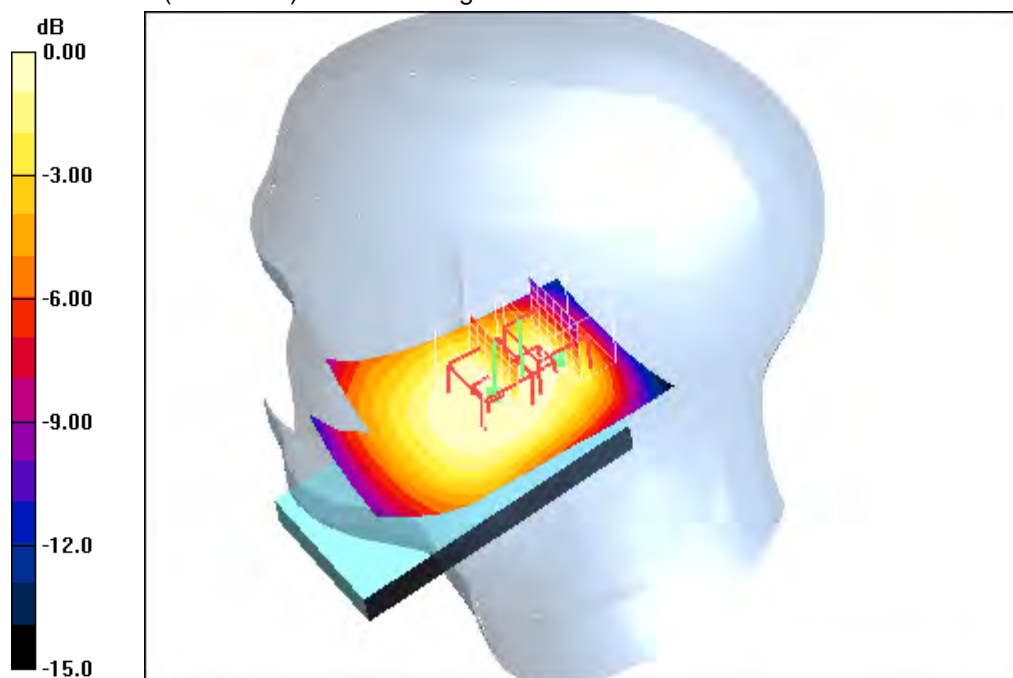
Reference Value = 19.0 V/m; Power Drift = 0.031 dB

Peak SAR (extrapolated) = 0.309 W/kg

Peak SAR (extrapolated) = 0.309 W/kg

SAR(1 g) = 0.227 mW/g; SAR(10 g) = 0.152 mW/g

Maximum value of SAR (measured) = 0.268 mW/g



0 dB = 0.268mW/g

Additional information:

ambient temperature: 22.9°C; liquid temperature: 21.1°C

Date/Time: 24.03.2011 10:26:51 Date/Time: 24.03.2011 10:37:09

IEEE1528_OET65-RightHandSide-WCDMA FDD V slide opened

DUT: Sony Ericsson; Type: AAD-3880111-BV; Serial: CB5A1CHJXX

Communication System: WCDMA FDD V; Frequency: 826.4 MHz; Duty Cycle: 1:1

Medium: HSL850 Medium parameters used (interpolated): $f = 826.4$ MHz; $\sigma = 0.91$ mho/m; $\epsilon_r = 42.8$; $\rho = 1000$ kg/m³

Phantom section: Right Section

DASY4 Configuration:

- Probe: ET3DV6 - SN1559; ConvF(6.33, 6.33, 6.33); Calibrated: 19.01.2011
- Sensor-Surface: 4mm (Mechanical And Optical Surface Detection)
- Electronics: DAE3 Sn477; Calibrated: 07.05.2010
- Phantom: SAM left; Type: SAM; Serial: 1041
- Measurement SW: DASY4, V4.7 Build 71; Postprocessing SW: SEMCAD, V1.8 Build 146

Touch position - Low/Area Scan (81x91x1): Measurement grid: dx=15mm, dy=15mm

Maximum value of SAR (interpolated) = 0.267 mW/g

Touch position - Low/Zoom Scan (7x7x7) (7x7x7)/Cube 0: Measurement grid:

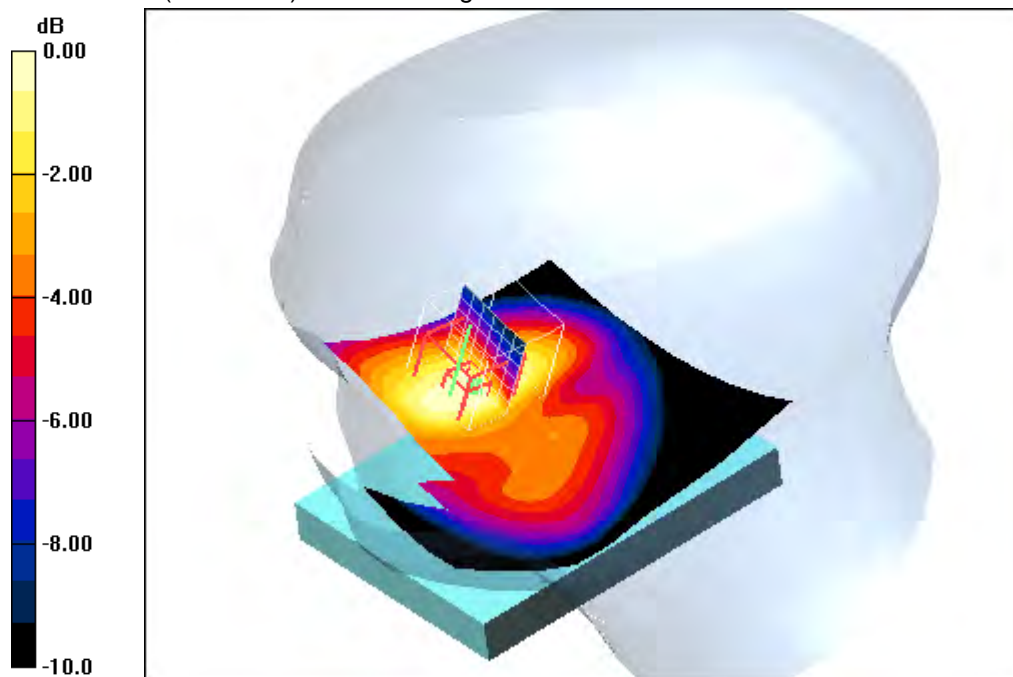
dx=5mm, dy=5mm, dz=5mm

Reference Value = 17.7 V/m; Power Drift = 0.055 dB

Peak SAR (extrapolated) = 0.362 W/kg

SAR(1 g) = 0.253 mW/g; SAR(10 g) = 0.168 mW/g

Maximum value of SAR (measured) = 0.270 mW/g



0 dB = 0.270mW/g

Additional information:

ambient temperature: 22.9°C; liquid temperature: 21.1°C

Date/Time: 24.03.2011 09:39:45 Date/Time: 24.03.2011 09:49:57

IEEE1528_OET65-RightHandSide-WCDMA FDD V slide opened

DUT: Sony Ericsson; Type: AAD-3880111-BV; Serial: CB5A1CHJXX

Communication System: WCDMA FDD V; Frequency: 836.4 MHz; Duty Cycle: 1:1

Medium: HSL850 Medium parameters used (interpolated): $f = 836.4$ MHz; $\sigma = 0.91$ mho/m; $\epsilon_r = 42.8$; $\rho = 1000$ kg/m³

Phantom section: Right Section

DASY4 Configuration:

- Probe: ET3DV6 - SN1559; ConvF(6.33, 6.33, 6.33); Calibrated: 19.01.2011
- Sensor-Surface: 4mm (Mechanical And Optical Surface Detection)
- Electronics: DAE3 Sn477; Calibrated: 07.05.2010
- Phantom: SAM left; Type: SAM; Serial: 1041
- Measurement SW: DASY4, V4.7 Build 71; Postprocessing SW: SEMCAD, V1.8 Build 146

Touch position - Middle/Area Scan (81x91x1): Measurement grid: dx=15mm, dy=15mm

Maximum value of SAR (interpolated) = 0.421 mW/g

Touch position - Middle/Zoom Scan (7x7x7) (7x7x7)/Cube 0: Measurement grid:

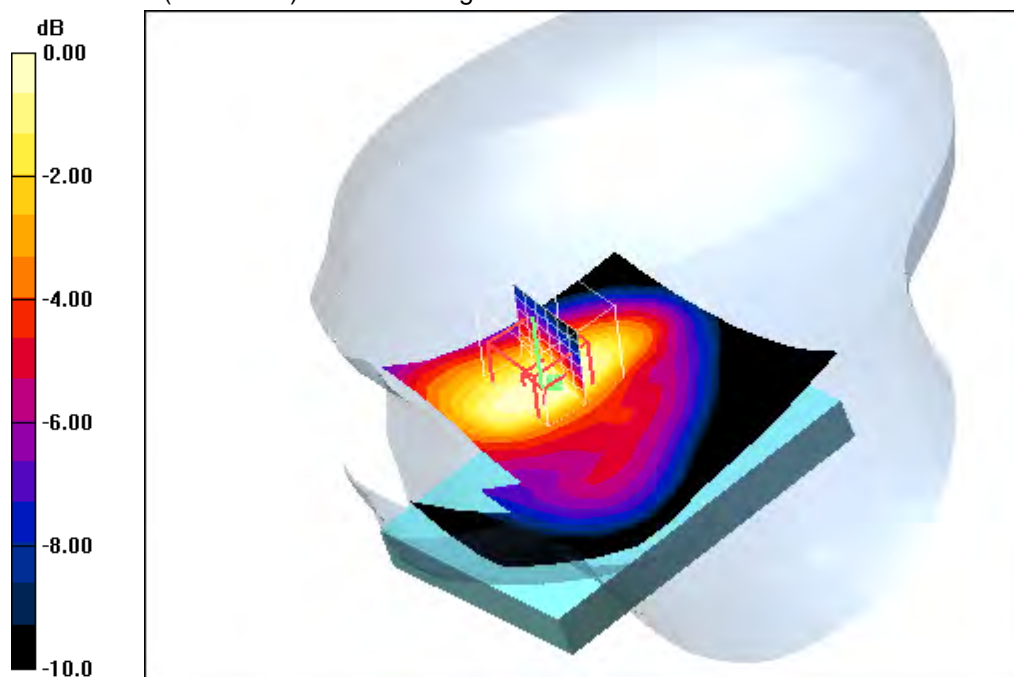
dx=5mm, dy=5mm, dz=5mm

Reference Value = 21.7 V/m; Power Drift = -0.011 dB

Peak SAR (extrapolated) = 0.561 W/kg

SAR(1 g) = 0.381 mW/g; SAR(10 g) = 0.251 mW/g

Maximum value of SAR (measured) = 0.410 mW/g



0 dB = 0.410mW/g

Additional information:

ambient temperature: 22.9°C; liquid temperature: 21.1°C

Date/Time: 24.03.2011 09:11:50 Date/Time: 24.03.2011 09:23:08

IEEE1528_OET65-RightHandSide-WCDMA FDD V slide opened

DUT: Sony Ericsson; Type: AAD-3880111-BV; Serial: CB5A1CHJXX

Communication System: WCDMA FDD V; Frequency: 846.6 MHz; Duty Cycle: 1:1

Medium: HSL850 Medium parameters used (interpolated): $f = 846.6$ MHz; $\sigma = 0.91$ mho/m; $\epsilon_r = 42.8$; $\rho = 1000$ kg/m³

Phantom section: Right Section

DASY4 Configuration:

- Probe: ET3DV6 - SN1559; ConvF(6.33, 6.33, 6.33); Calibrated: 19.01.2011
- Sensor-Surface: 4mm (Mechanical And Optical Surface Detection)
- Electronics: DAE3 Sn477; Calibrated: 07.05.2010
- Phantom: SAM left; Type: SAM; Serial: 1041
- Measurement SW: DASY4, V4.7 Build 71; Postprocessing SW: SEMCAD, V1.8 Build 146

Touch position - High/Area Scan (81x91x1): Measurement grid: dx=15mm, dy=15mm

Maximum value of SAR (interpolated) = 0.518 mW/g

Touch position - High/Zoom Scan (7x7x7) (7x7x7)/Cube 0: Measurement grid:

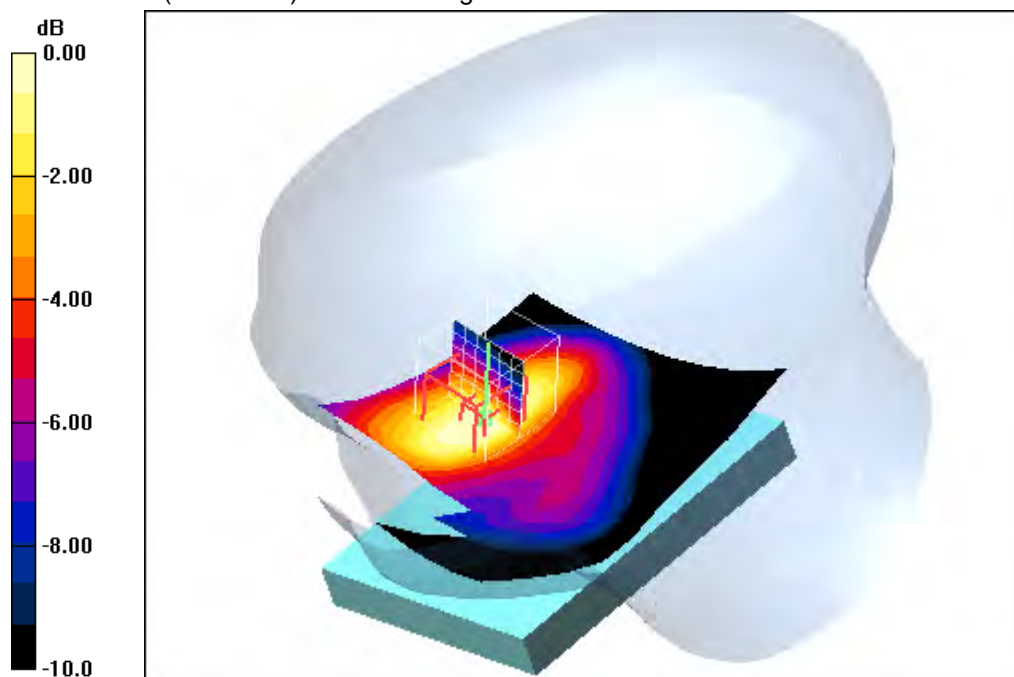
dx=5mm, dy=5mm, dz=5mm

Reference Value = 23.8 V/m; Power Drift = -0.011 dB

Peak SAR (extrapolated) = 0.667 W/kg

SAR(1 g) = 0.455 mW/g; SAR(10 g) = 0.298 mW/g

Maximum value of SAR (measured) = 0.492 mW/g



0 dB = 0.492mW/g

Additional information:

ambient temperature: 22.9°C; liquid temperature: 21.1°C

Date/Time: 23.03.2011 16:40:45 Date/Time: 23.03.2011 16:56:05

IEEE1528_OET65-RightHandSide-WCDMA FDD V slide opened

DUT: Sony Ericsson; Type: AAD-3880111-BV; Serial: CB5A1CHJXX

Communication System: WCDMA FDD V; Frequency: 826.4 MHz; Duty Cycle: 1:1

Medium: HSL850 Medium parameters used (interpolated): $f = 826.4$ MHz; $\sigma = 0.91$ mho/m; $\epsilon_r = 42.8$; $\rho = 1000$ kg/m³

Phantom section: Right Section

DASY4 Configuration:

- Probe: ET3DV6 - SN1559; ConvF(6.33, 6.33, 6.33); Calibrated: 19.01.2011
- Sensor-Surface: 4mm (Mechanical And Optical Surface Detection)
- Electronics: DAE3 Sn477; Calibrated: 07.05.2010
- Phantom: SAM left; Type: SAM; Serial: 1041
- Measurement SW: DASY4, V4.7 Build 71; Postprocessing SW: SEMCAD, V1.8 Build 146

Tilt position - Low/Area Scan (81x91x1): Measurement grid: dx=15mm, dy=15mm

Maximum value of SAR (interpolated) = 0.140 mW/g

Tilt position - Low/Zoom Scan (7x7x7) (11x7x7)/Cube 0: Measurement grid:

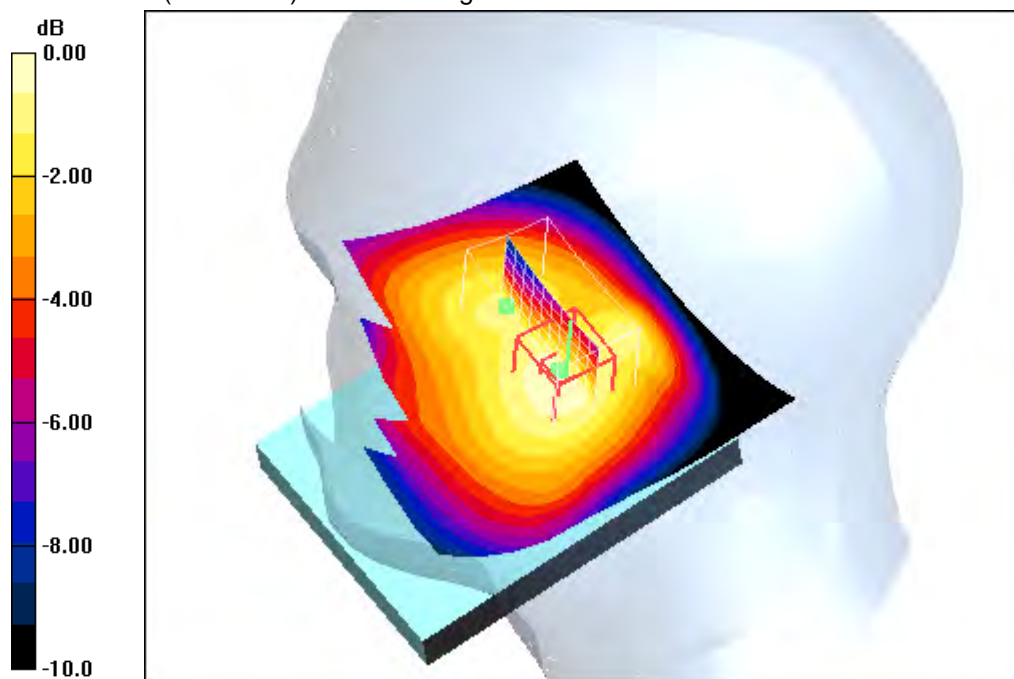
dx=5mm, dy=5mm, dz=5mm

Reference Value = 12.8 V/m; Power Drift = -0.014 dB

Peak SAR (extrapolated) = 0.161 W/kg

SAR(1 g) = 0.135 mW/g; SAR(10 g) = 0.105 mW/g

Maximum value of SAR (measured) = 0.142 mW/g



0 dB = 0.142mW/g

Additional information:

ambient temperature: 22.3°C; liquid temperature: 20.9°C

Date/Time: 23.03.2011 17:18:26 Date/Time: 23.03.2011 17:29:09

IEEE1528_OET65-RightHandSide-WCDMA FDD V slide opened

DUT: Sony Ericsson; Type: AAD-3880111-BV; Serial: CB5A1CHJXX

Communication System: WCDMA FDD V; Frequency: 836.4 MHz; Duty Cycle: 1:1

Medium: HSL850 Medium parameters used (interpolated): $f = 836.4$ MHz; $\sigma = 0.91$ mho/m; $\epsilon_r = 42.8$; $\rho = 1000$ kg/m³

Phantom section: Right Section

DASY4 Configuration:

- Probe: ET3DV6 - SN1559; ConvF(6.33, 6.33, 6.33); Calibrated: 19.01.2011
- Sensor-Surface: 4mm (Mechanical And Optical Surface Detection)
- Electronics: DAE3 Sn477; Calibrated: 07.05.2010
- Phantom: SAM left; Type: SAM; Serial: 1041
- Measurement SW: DASY4, V4.7 Build 71; Postprocessing SW: SEMCAD, V1.8 Build 146

Tilt position - Middle/Area Scan (81x91x1): Measurement grid: dx=15mm, dy=15mm

Maximum value of SAR (interpolated) = 0.168 mW/g

Tilt position - Middle/Zoom Scan (7x7x7) (11x7x7)/Cube 0: Measurement grid:

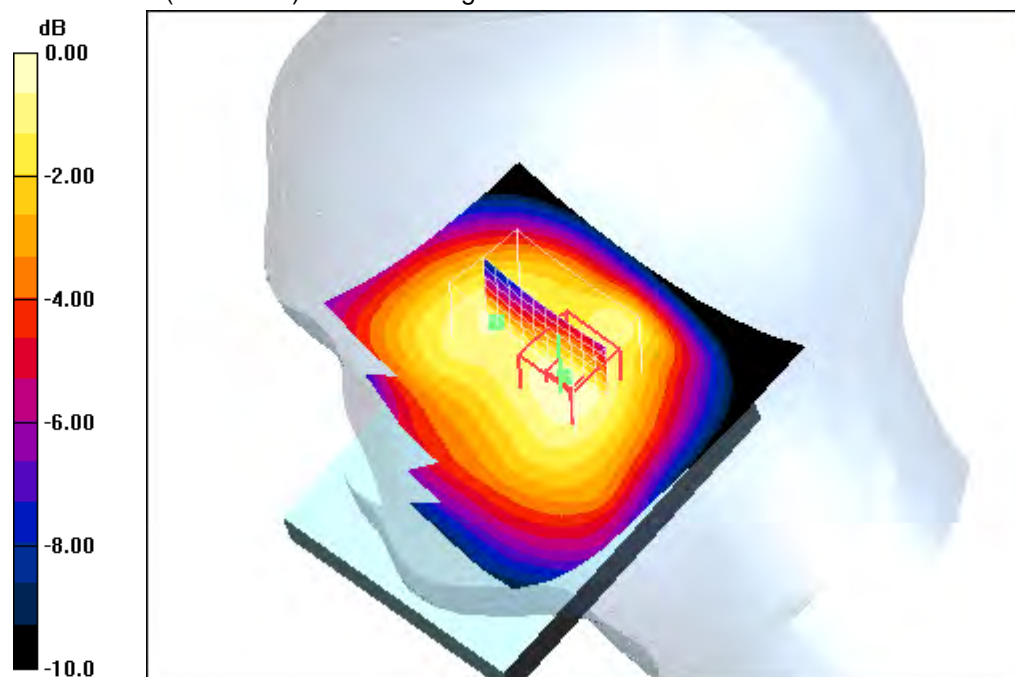
dx=5mm, dy=5mm, dz=5mm

Reference Value = 13.9 V/m; Power Drift = 0.061 dB

Peak SAR (extrapolated) = 0.197 W/kg

SAR(1 g) = 0.162 mW/g; SAR(10 g) = 0.126 mW/g

Maximum value of SAR (measured) = 0.170 mW/g



0 dB = 0.170mW/g

Additional information:

ambient temperature: 22.3°C; liquid temperature: 20.9°C

Date/Time: 24.03.2011 08:33:20 Date/Time: 24.03.2011 08:48:24

IEEE1528_OET65-RightHandSide-WCDMA FDD V slide opened

DUT: Sony Ericsson; Type: AAD-3880111-BV; Serial: CB5A1CHJXX

Communication System: WCDMA FDD V; Frequency: 846.6 MHz; Duty Cycle: 1:1

Medium: HSL850 Medium parameters used (interpolated): $f = 846.6 \text{ MHz}$; $\sigma = 0.91 \text{ mho/m}$; $\epsilon_r = 42.8$; $\rho = 1000 \text{ kg/m}^3$

Phantom section: Right Section

DASY4 Configuration:

- Probe: ET3DV6 - SN1559; ConvF(6.33, 6.33, 6.33); Calibrated: 19.01.2011
- Sensor-Surface: 4mm (Mechanical And Optical Surface Detection)
- Electronics: DAE3 Sn477; Calibrated: 07.05.2010
- Phantom: SAM left; Type: SAM; Serial: 1041
- Measurement SW: DASY4, V4.7 Build 71; Postprocessing SW: SEMCAD, V1.8 Build 146

Tilt position - High/Area Scan (81x91x1): Measurement grid: $dx=15\text{mm}$, $dy=15\text{mm}$

Maximum value of SAR (interpolated) = 0.174 mW/g

Tilt position - High/Zoom Scan (7x7x7) (11x7x7)/Cube 0: Measurement grid:

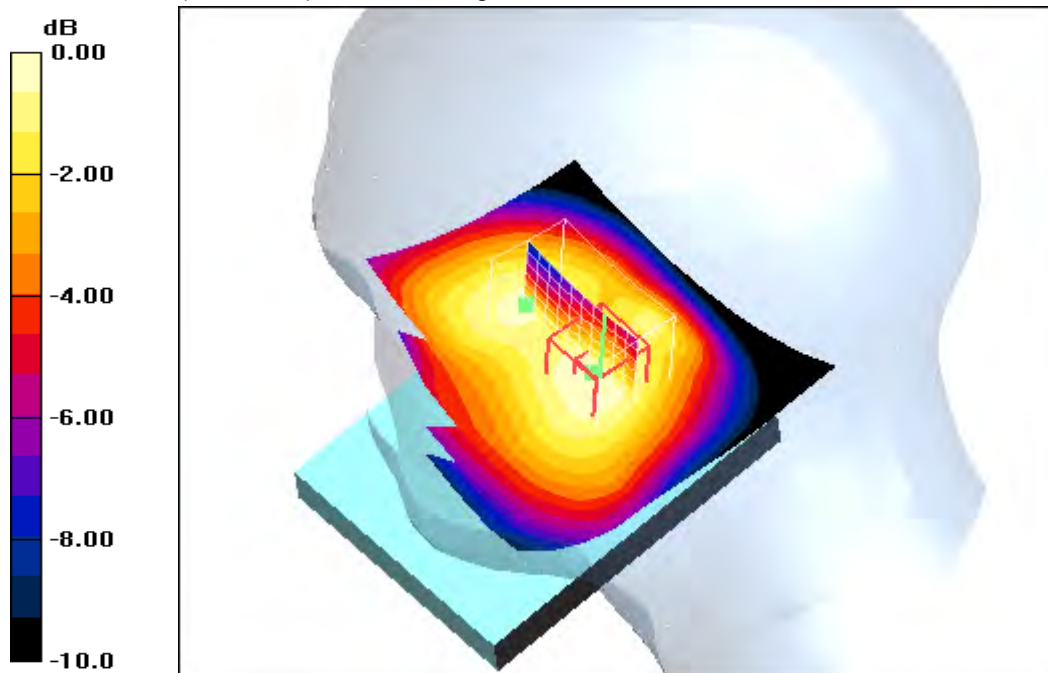
$dx=5\text{mm}$, $dy=5\text{mm}$, $dz=5\text{mm}$

Reference Value = 14.3 V/m; Power Drift = -0.057 dB

Peak SAR (extrapolated) = 0.215 W/kg

SAR(1 g) = 0.168 mW/g; SAR(10 g) = 0.131 mW/g

Maximum value of SAR (measured) = 0.177 mW/g



0 dB = 0.177mW/g

Additional information:

ambient temperature: 22.9°C; liquid temperature: 21.1°C

Annex B.8: WCDMA FDD V 850MHz body

Date/Time: 18.03.2011 09:25:15 Date/Time: 18.03.2011 09:31:46

IEEE1528_OET65-Body-WCDMA FDD V**DUT: Sony Ericsson; Type: AAD-3880111-BV; Serial: CB5A1CHJXX**

Communication System: WCDMA FDD V; Frequency: 826.4 MHz; Duty Cycle: 1:1

Medium: M850 Medium parameters used (interpolated): $f = 826.4$ MHz; $\sigma = 0.98$ mho/m; $\epsilon_r = 54.8$; $\rho = 1000$ kg/m³

Phantom section: Flat Section

DASY4 Configuration:

- Probe: ET3DV6 - SN1559; ConvF(6.22, 6.22, 6.22); Calibrated: 19.01.2011
- Sensor-Surface: 4mm (Mechanical And Optical Surface Detection)
- Electronics: DAE3 Sn477; Calibrated: 07.05.2010
- Phantom: SAM left; Type: SAM; Serial: 1041
- Measurement SW: DASY4, V4.7 Build 71; Postprocessing SW: SEMCAD, V1.8 Build 146

Front position - Low/Area Scan (51x91x1): Measurement grid: dx=15mm, dy=15mm

Maximum value of SAR (interpolated) = 0.418 mW/g

Front position - Low/Zoom Scan (7x7x7) (7x7x7)/Cube 0: Measurement grid:

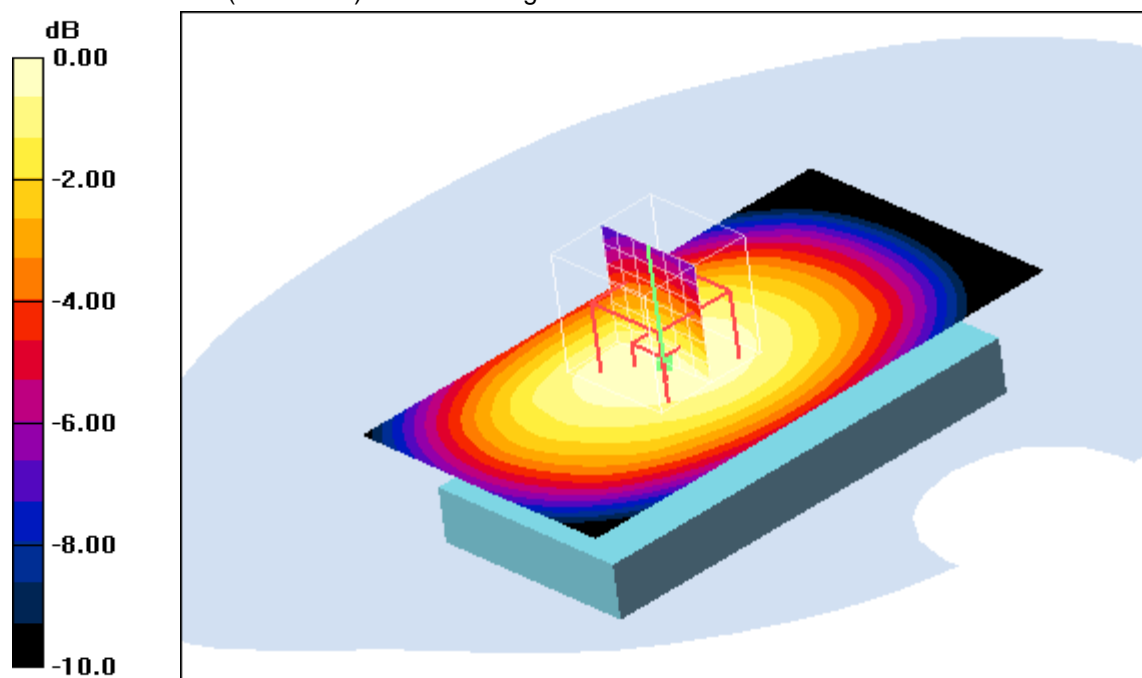
dx=5mm, dy=5mm, dz=5mm

Reference Value = 21.4 V/m; Power Drift = -0.037 dB

Peak SAR (extrapolated) = 0.492 W/kg

SAR(1 g) = 0.399 mW/g; SAR(10 g) = 0.305 mW/g

Maximum value of SAR (measured) = 0.418 mW/g



0 dB = 0.418mW/g

Additional information:

position or distance of DUT to SAM: 10 mm

ambient temperature: 21.9°C; liquid temperature: 21.1°C

Date/Time: 18.03.2011 09:04:58 Date/Time: 18.03.2011 09:11:31

IEEE1528_OET65-Body-WCDMA FDD V

DUT: Sony Ericsson; Type: AAD-3880111-BV; Serial: CB5A1CHJXX

Communication System: WCDMA FDD V; Frequency: 836.4 MHz; Duty Cycle: 1:1

Medium: M850 Medium parameters used (interpolated): $f = 836.4$ MHz; $\sigma = 0.98$ mho/m; $\epsilon_r = 54.8$; $\rho = 1000$ kg/m³

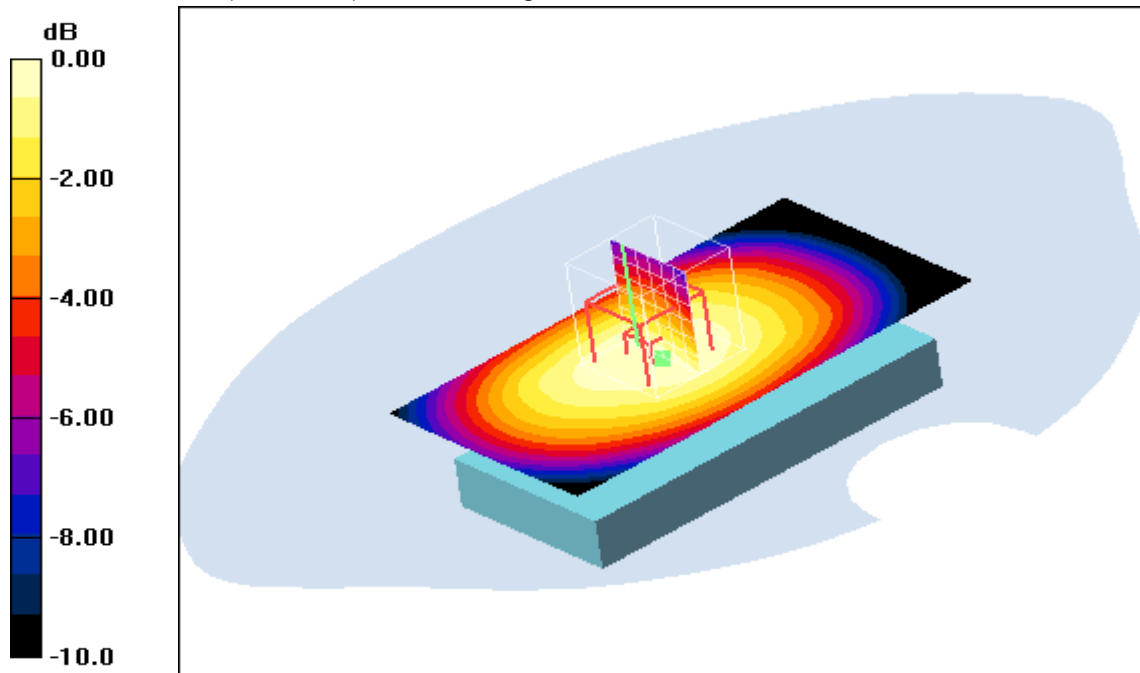
Phantom section: Flat Section

DASY4 Configuration:

- Probe: ET3DV6 - SN1559; ConvF(6.22, 6.22, 6.22); Calibrated: 19.01.2011
- Sensor-Surface: 4mm (Mechanical And Optical Surface Detection)
- Electronics: DAE3 Sn477; Calibrated: 07.05.2010
- Phantom: SAM left; Type: SAM; Serial: 1041
- Measurement SW: DASY4, V4.7 Build 71; Postprocessing SW: SEMCAD, V1.8 Build 146

Front position - Middle/Area Scan (51x91x1): Measurement grid: dx=15mm, dy=15mm
Maximum value of SAR (interpolated) = 0.463 mW/g

Front position - Middle/Zoom Scan (7x7x7) (7x7x7)/Cube 0: Measurement grid:
dx=5mm, dy=5mm, dz=5mm
Reference Value = 22.4 V/m; Power Drift = 0.00 dB
Peak SAR (extrapolated) = 0.536 W/kg
SAR(1 g) = 0.433 mW/g; SAR(10 g) = 0.332 mW/g
Maximum value of SAR (measured) = 0.454 mW/g



0 dB = 0.454mW/g

Additional information:

position or distance of DUT to SAM: 10 mm

ambient temperature: 21.9°C; liquid temperature: 21.1°C

Date/Time: 18.03.2011 09:48:52 Date/Time: 18.03.2011 09:55:20

IEEE1528_OET65-Body-WCDMA FDD V

DUT: Sony Ericsson; Type: AAD-3880111-BV; Serial: CB5A1CHJXX

Communication System: WCDMA FDD V; Frequency: 846.6 MHz; Duty Cycle: 1:1

Medium: M850 Medium parameters used (interpolated): $f = 846.6$ MHz; $\sigma = 0.98$ mho/m; $\epsilon_r = 54.8$; $\rho = 1000$ kg/m³

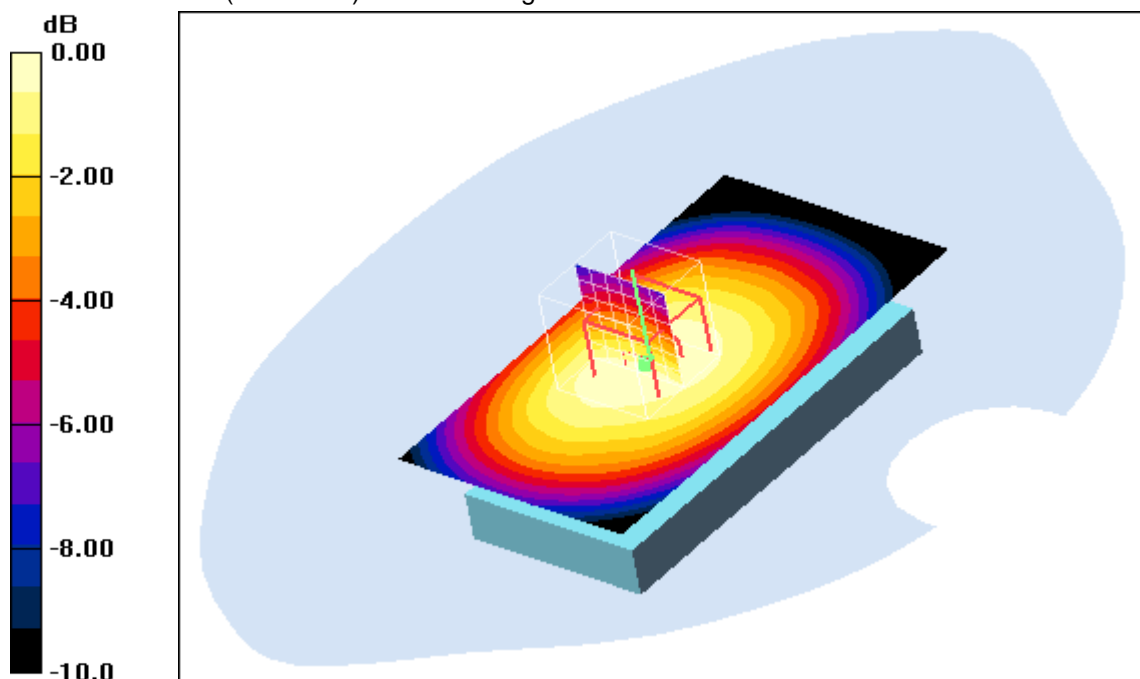
Phantom section: Flat Section

DASY4 Configuration:

- Probe: ET3DV6 - SN1559; ConvF(6.22, 6.22, 6.22); Calibrated: 19.01.2011
- Sensor-Surface: 4mm (Mechanical And Optical Surface Detection)
- Electronics: DAE3 Sn477; Calibrated: 07.05.2010
- Phantom: SAM left; Type: SAM; Serial: 1041
- Measurement SW: DASY4, V4.7 Build 71; Postprocessing SW: SEMCAD, V1.8 Build 146

Front position - High/Area Scan (51x91x1): Measurement grid: dx=15mm, dy=15mm
 Maximum value of SAR (interpolated) = 0.491 mW/g

Front position - High/Zoom Scan (7x7x7) (7x7x7)/Cube 0: Measurement grid:
 dx=5mm, dy=5mm, dz=5mm
 Reference Value = 23.2 V/m; Power Drift = -0.052 dB
 Peak SAR (extrapolated) = 0.585 W/kg
SAR(1 g) = 0.472 mW/g; SAR(10 g) = 0.359 mW/g
 Maximum value of SAR (measured) = 0.495 mW/g



0 dB = 0.495mW/g

Additional information:

position or distance of DUT to SAM: 10 mm
 ambient temperature: 21.9°C; liquid temperature: 21.1°C

Date/Time: 18.03.2011 11:22:34 Date/Time: 18.03.2011 11:29:33

IEEE1528_OET65-Body-WCDMA FDD V

DUT: Sony Ericsson; Type: AAD-3880111-BV; Serial: CB5A1CHJXX

Communication System: WCDMA FDD V; Frequency: 826.4 MHz; Duty Cycle: 1:1

Medium: M850 Medium parameters used (interpolated): $f = 826.4$ MHz; $\sigma = 0.98$ mho/m; $\epsilon_r = 54.8$; $\rho = 1000$ kg/m³

Phantom section: Flat Section

DASY4 Configuration:

- Probe: ET3DV6 - SN1559; ConvF(6.22, 6.22, 6.22); Calibrated: 19.01.2011
- Sensor-Surface: 4mm (Mechanical And Optical Surface Detection)
- Electronics: DAE3 Sn477; Calibrated: 07.05.2010
- Phantom: SAM left; Type: SAM; Serial: 1041
- Measurement SW: DASY4, V4.7 Build 71; Postprocessing SW: SEMCAD, V1.8 Build 146

Rear position - Low/Area Scan (51x91x1): Measurement grid: dx=15mm, dy=15mm

Maximum value of SAR (interpolated) = 0.946 mW/g

Rear position - Low/Zoom Scan (7x7x7) (7x7x7)/Cube 0: Measurement grid:

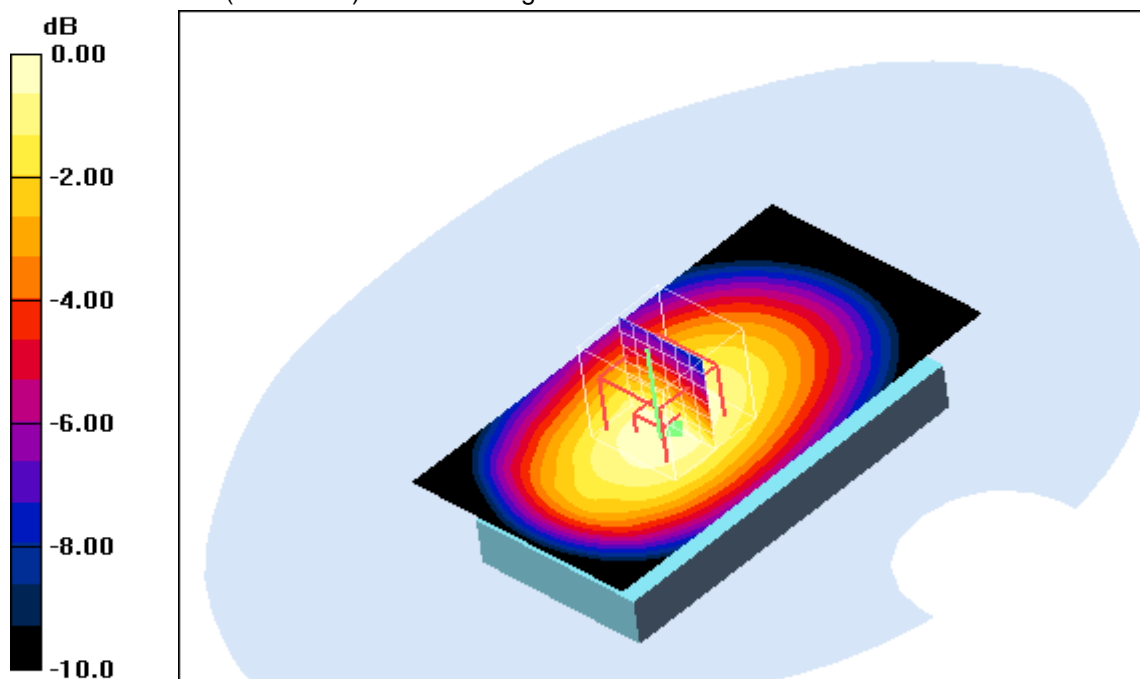
dx=5mm, dy=5mm, dz=5mm

Reference Value = 31.2 V/m; Power Drift = 0.051 dB

Peak SAR (extrapolated) = 1.19 W/kg

SAR(1 g) = 0.909 mW/g; SAR(10 g) = 0.665 mW/g

Maximum value of SAR (measured) = 0.965 mW/g



0 dB = 0.965mW/g

Additional information:

position or distance of DUT to SAM: 10 mm

ambient temperature: 21.9°C; liquid temperature: 21.1°C

Date/Time: 18.03.2011 11:00:57 Date/Time: 18.03.2011 11:07:21

IEEE1528_OET65-Body-WCDMA FDD V

DUT: Sony Ericsson; Type: AAD-3880111-BV; Serial: CB5A1CHJXX

Communication System: WCDMA FDD V; Frequency: 836.4 MHz; Duty Cycle: 1:1

Medium: M850 Medium parameters used (interpolated): $f = 836.4$ MHz; $\sigma = 0.98$ mho/m; $\epsilon_r = 54.8$; $\rho = 1000$ kg/m³

Phantom section: Flat Section

DASY4 Configuration:

- Probe: ET3DV6 - SN1559; ConvF(6.22, 6.22, 6.22); Calibrated: 19.01.2011
- Sensor-Surface: 4mm (Mechanical And Optical Surface Detection)
- Electronics: DAE3 Sn477; Calibrated: 07.05.2010
- Phantom: SAM left; Type: SAM; Serial: 1041
- Measurement SW: DASY4, V4.7 Build 71; Postprocessing SW: SEMCAD, V1.8 Build 146

Rear position - Middle/Area Scan (51x91x1): Measurement grid: dx=15mm, dy=15mm

Maximum value of SAR (interpolated) = 1.01 mW/g

Rear position - Middle/Zoom Scan (7x7x7) (7x7x7)/Cube 0: Measurement grid:

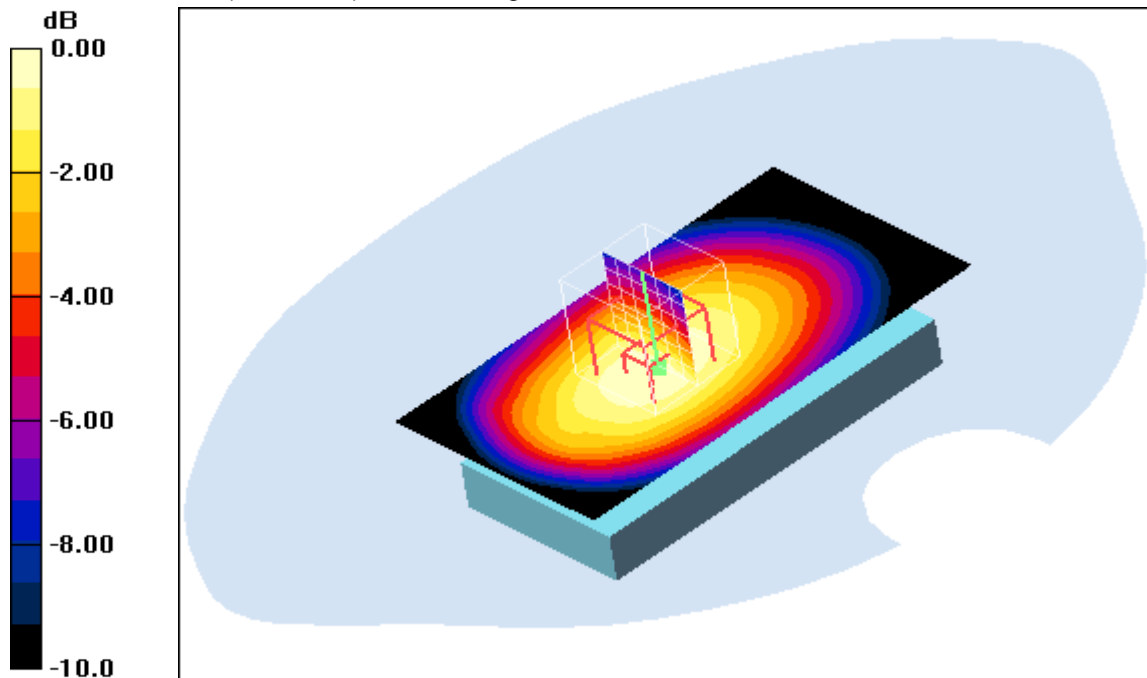
dx=5mm, dy=5mm, dz=5mm

Reference Value = 32.3 V/m; Power Drift = -0.039 dB

Peak SAR (extrapolated) = 1.22 W/kg

SAR(1 g) = 0.956 mW/g; SAR(10 g) = 0.700 mW/g

Maximum value of SAR (measured) = 1.01 mW/g



0 dB = 1.01mW/g

Additional information:

position or distance of DUT to SAM: 10 mm

ambient temperature: 21.9°C; liquid temperature: 21.1°C

Date/Time: 18.03.2011 10:39:09 Date/Time: 18.03.2011 10:45:32

IEEE1528_OET65-Body-WCDMA FDD V

DUT: Sony Ericsson; Type: AAD-3880111-BV; Serial: CB5A1CHJXX

Communication System: WCDMA FDD V; Frequency: 846.6 MHz; Duty Cycle: 1:1

Medium: M850 Medium parameters used (interpolated): $f = 846.6$ MHz; $\sigma = 0.98$ mho/m; $\epsilon_r = 54.8$; $\rho = 1000$ kg/m³

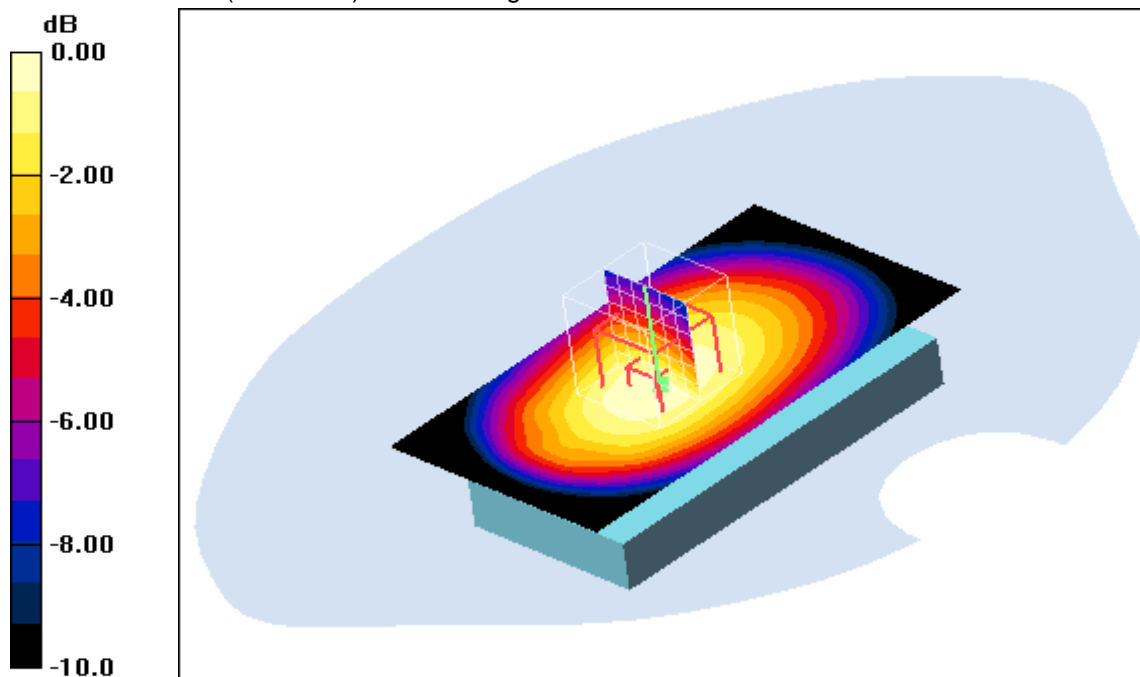
Phantom section: Flat Section

DASY4 Configuration:

- Probe: ET3DV6 - SN1559; ConvF(6.22, 6.22, 6.22); Calibrated: 19.01.2011
- Sensor-Surface: 4mm (Mechanical And Optical Surface Detection)
- Electronics: DAE3 Sn477; Calibrated: 07.05.2010
- Phantom: SAM left; Type: SAM; Serial: 1041
- Measurement SW: DASY4, V4.7 Build 71; Postprocessing SW: SEMCAD, V1.8 Build 146

Rear position - High/Area Scan (51x91x1): Measurement grid: dx=15mm, dy=15mm
Maximum value of SAR (interpolated) = 1.06 mW/g

Rear position - High/Zoom Scan (7x7x7) (7x7x7)/Cube 0: Measurement grid: dx=5mm, dy=5mm, dz=5mm
Reference Value = 33.6 V/m; Power Drift = -0.029 dB
Peak SAR (extrapolated) = 1.29 W/kg
SAR(1 g) = 0.998 mW/g; SAR(10 g) = 0.731 mW/g
Maximum value of SAR (measured) = 1.06 mW/g



0 dB = 1.06mW/g

Additional information:

position or distance of DUT to SAM: 10 mm
ambient temperature: 21.9°C; liquid temperature: 21.1°C

Date/Time: 17.03.2011 14:27:31 Date/Time: 17.03.2011 14:33:40

IEEE1528_OET65-Body-WCDMA FDD V

DUT: Sony Ericsson; Type: AAD-3880111-BV; Serial: CB5A1CHJXX

Communication System: WCDMA FDD V; Frequency: 836.4 MHz; Duty Cycle: 1:1

Medium: M850 Medium parameters used (interpolated): $f = 836.4$ MHz; $\sigma = 0.98$ mho/m; $\epsilon_r = 54.8$; $\rho = 1000$ kg/m³

Phantom section: Flat Section

DASY4 Configuration:

- Probe: ET3DV6 - SN1559; ConvF(6.22, 6.22, 6.22); Calibrated: 19.01.2011
- Sensor-Surface: 4mm (Mechanical And Optical Surface Detection)
- Electronics: DAE3 Sn477; Calibrated: 07.05.2010
- Phantom: SAM left; Type: SAM; Serial: 1041
- Measurement SW: DASY4, V4.7 Build 71; Postprocessing SW: SEMCAD, V1.8 Build 146

Edge left position - Middle/Area Scan (51x91x1): Measurement grid: dx=15mm, dy=15mm

Maximum value of SAR (interpolated) = 0.542 mW/g

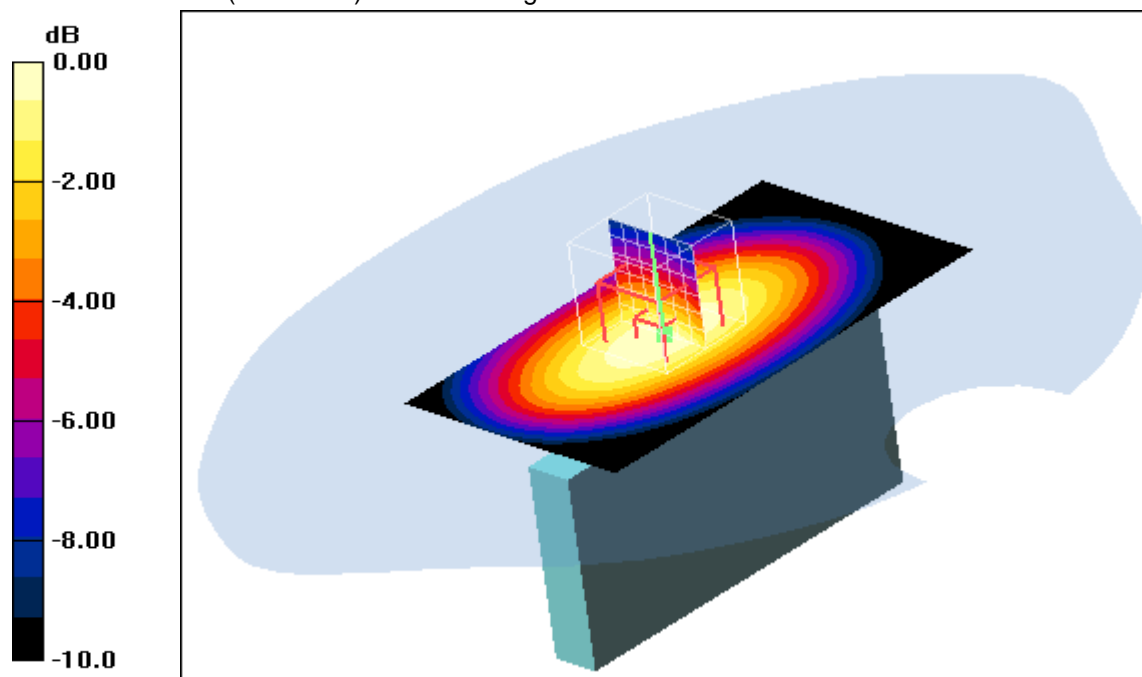
Edge left position - Middle/Zoom Scan (7x7x7) (7x7x7)/Cube 0: Measurement grid: dx=5mm, dy=5mm, dz=5mm

Reference Value = 24.0 V/m; Power Drift = -0.014 dB

Peak SAR (extrapolated) = 0.701 W/kg

SAR(1 g) = 0.508 mW/g; SAR(10 g) = 0.353 mW/g

Maximum value of SAR (measured) = 0.544 mW/g



0 dB = 0.544mW/g

Additional information:

position or distance of DUT to SAM: 10 mm

ambient temperature: 21.9°C; liquid temperature: 21.1°C

Date/Time: 17.03.2011 15:41:14 Date/Time: 17.03.2011 15:47:29

IEEE1528_OET65-Body-WCDMA FDD V

DUT: Sony Ericsson; Type: AAD-3880111-BV; Serial: CB5A1CHJXX

Communication System: WCDMA FDD V; Frequency: 836.4 MHz; Duty Cycle: 1:1

Medium: M850 Medium parameters used (interpolated): $f = 836.4$ MHz; $\sigma = 0.98$ mho/m; $\epsilon_r = 54.8$; $\rho = 1000$ kg/m³

Phantom section: Flat Section

DASY4 Configuration:

- Probe: ET3DV6 - SN1559; ConvF(6.22, 6.22, 6.22); Calibrated: 19.01.2011
- Sensor-Surface: 4mm (Mechanical And Optical Surface Detection)
- Electronics: DAE3 Sn477; Calibrated: 07.05.2010
- Phantom: SAM left; Type: SAM; Serial: 1041
- Measurement SW: DASY4, V4.7 Build 71; Postprocessing SW: SEMCAD, V1.8 Build 146

Edge right position - Middle/Area Scan (51x91x1): Measurement grid: dx=15mm, dy=15mm

Maximum value of SAR (interpolated) = 0.522 mW/g

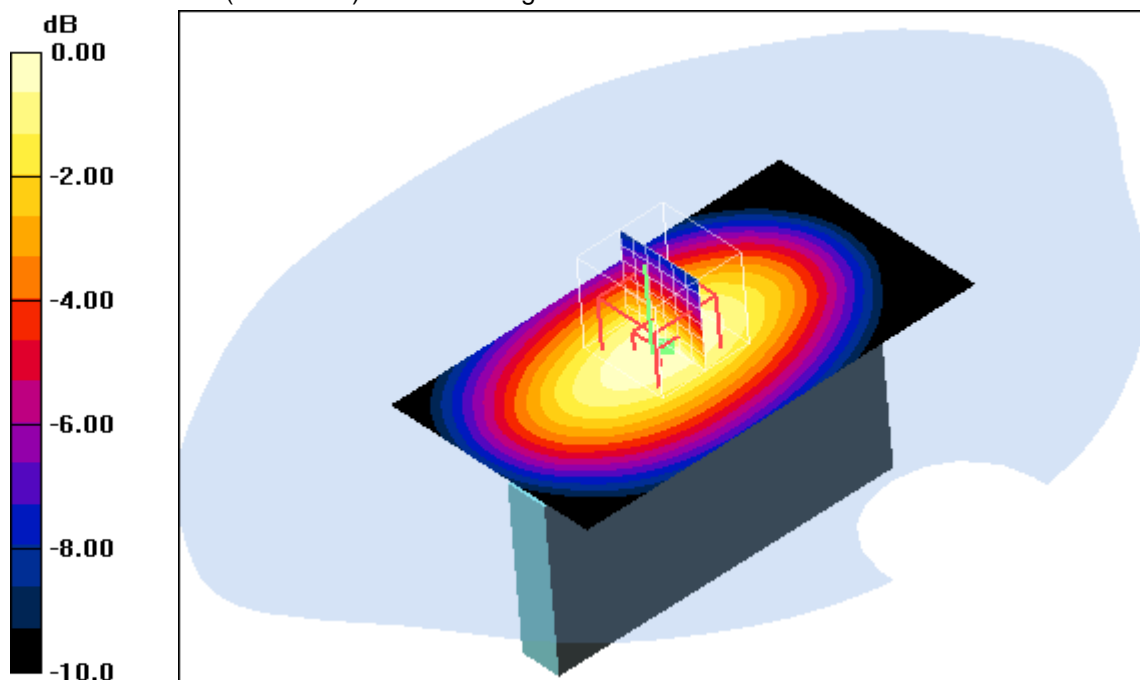
Edge right position - Middle/Zoom Scan (7x7x7) (7x7x7)/Cube 0: Measurement grid: dx=5mm, dy=5mm, dz=5mm

Reference Value = 23.7 V/m; Power Drift = -0.184 dB

Peak SAR (extrapolated) = 0.668 W/kg

SAR(1 g) = 0.487 mW/g; SAR(10 g) = 0.339 mW/g

Maximum value of SAR (measured) = 0.520 mW/g



0 dB = 0.520mW/g

Additional information:

position or distance of DUT to SAM: 10 mm

ambient temperature: 21.9°C; liquid temperature: 21.1°C

Date/Time: 17.03.2011 12:29:29 Date/Time: 17.03.2011 12:40:54

IEEE1528_OET65-Body-WCDMA FDD V

DUT: Sony Ericsson; Type: AAD-3880111-BV; Serial: CB5A1CHJXX

Communication System: WCDMA FDD V; Frequency: 836.4 MHz; Duty Cycle: 1:1

Medium: M850 Medium parameters used (interpolated): $f = 836.4$ MHz; $\sigma = 0.98$ mho/m; $\epsilon_r = 54.8$; $\rho = 1000$ kg/m³

Phantom section: Flat Section

DASY4 Configuration:

- Probe: ET3DV6 - SN1559; ConvF(6.22, 6.22, 6.22); Calibrated: 19.01.2011
- Sensor-Surface: 4mm (Mechanical And Optical Surface Detection)
- Electronics: DAE3 Sn477; Calibrated: 07.05.2010
- Phantom: SAM left; Type: SAM; Serial: 1041
- Measurement SW: DASY4, V4.7 Build 71; Postprocessing SW: SEMCAD, V1.8 Build 146

Edge bottom position - Middle/Area Scan (61x61x1): Measurement grid: dx=15mm, dy=15mm

Maximum value of SAR (interpolated) = 0.065 mW/g

Edge bottom position - Middle/Zoom Scan (7x7x7) (7x7x7)/Cube 0:

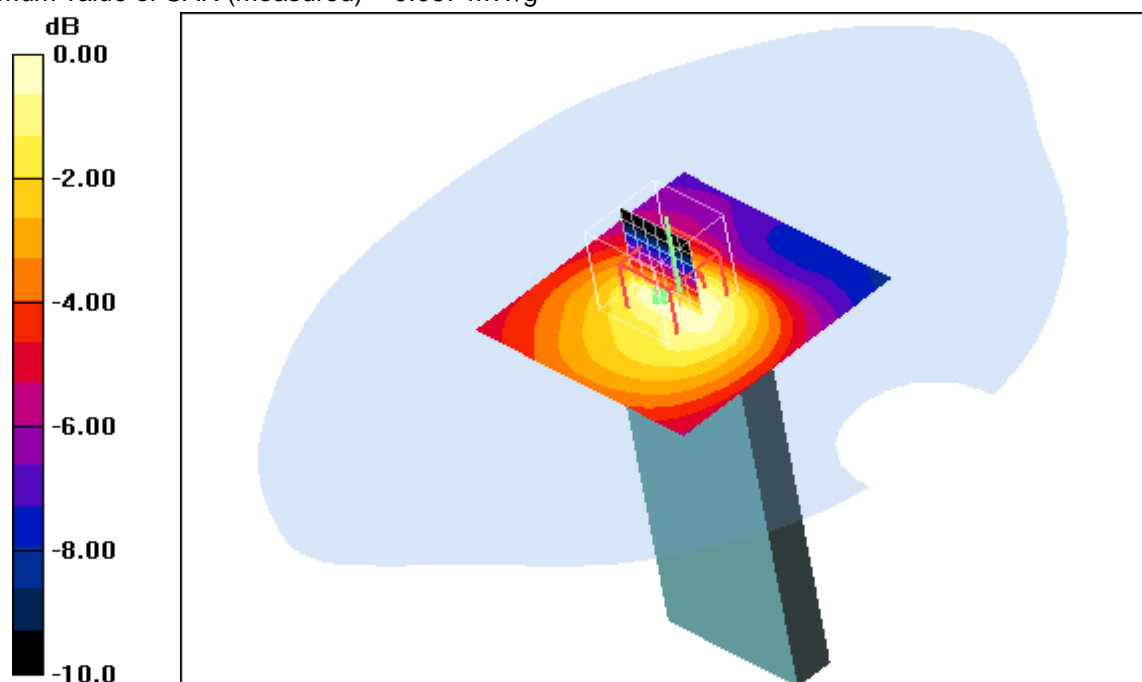
Measurement grid: dx=5mm, dy=5mm, dz=5mm

Reference Value = 8.09 V/m; Power Drift = 0.048 dB

Peak SAR (extrapolated) = 0.132 W/kg

SAR(1 g) = 0.062 mW/g; SAR(10 g) = 0.037 mW/g

Maximum value of SAR (measured) = 0.067 mW/g



0 dB = 0.067mW/g

Additional information:

position or distance of DUT to SAM: 10 mm

ambient temperature: 21.9°C; liquid temperature: 21.1°C

Date/Time: 09.05.2011 19:25:04 Date/Time: 09.05.2011 19:31:11

IEEE1528_OET65-Body-WCDMA FDD V speech

DUT: Sony Ericsson; Type: AAD-3880111-BV; Serial: CB5A1CHJXX

Communication System: WCDMA FDD V; Frequency: 846.6 MHz; Duty Cycle: 1:1

Medium: M850 Medium parameters used (interpolated): $f = 846.6$ MHz; $\sigma = 0.95$ mho/m; $\epsilon_r = 55.6$; $\rho = 1000$ kg/m³

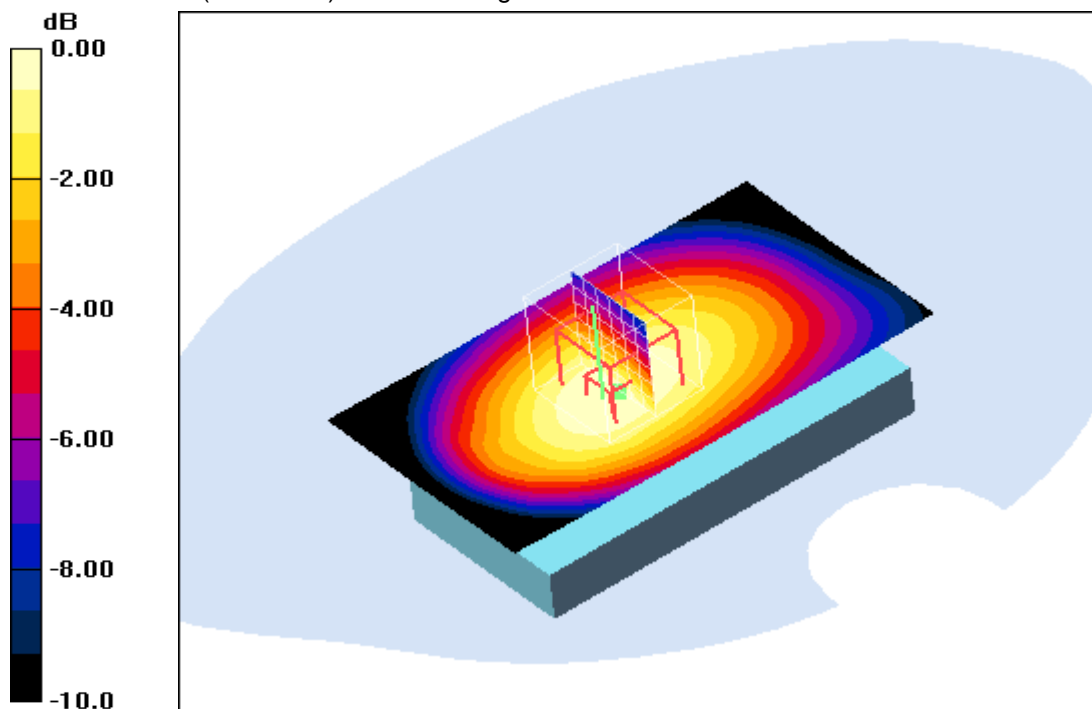
Phantom section: Flat Section

DASY4 Configuration:

- Probe: ET3DV6 - SN1558; ConvF(5.85, 5.85, 5.85); Calibrated: 11.08.2010
- Sensor-Surface: 4mm (Mechanical And Optical Surface Detection)
- Electronics: DAE3 Sn413; Calibrated: 13.01.2011
- Phantom: SAM 12; Type: SAM; Serial: 1043
- Measurement SW: DASY4, V4.5 Build 19; Postprocessing SW: SEMCAD, V1.8 Build 146

Rear position - High/Area Scan (51x91x1): Measurement grid: dx=15mm, dy=15mm
Maximum value of SAR (interpolated) = 0.501 mW/g

Rear position - High/Zoom Scan (7x7x7) (7x7x7)/Cube 0: Measurement grid:
dx=5mm, dy=5mm, dz=5mm
Reference Value = 23.7 V/m; Power Drift = -0.055 dB
Peak SAR (extrapolated) = 0.610 W/kg
SAR(1 g) = 0.467 mW/g; SAR(10 g) = 0.340 mW/g
Maximum value of SAR (measured) = 0.492 mW/g



0 dB = 0.492mW/g

Additional information:

position or distance of DUT to SAM: 15 mm
ambient temperature: 23.1°C; liquid temperature: 23.0°C

Annex B.9: WLAN 2450MHz head

Date/Time: 06.04.2011 19:09:53 Date/Time: 06.04.2011 19:17:03 Date/Time: 06.04.2011 19:28:33

IEEE1528_OET65-LeftHandSide-WLAN

DUT: Sony Ericsson; Type: AAD-3880111-BV; Serial: CB5A1CHJZD

Communication System: WLAN 2450 US; Frequency: 2412 MHz; Duty Cycle: 1:1

Medium: HSL2450 Medium parameters used: $f = 2412$ MHz; $\sigma = 1.85$ mho/m; $\epsilon_r = 38.8$; $\rho = 1000$ kg/m³

Phantom section: Left Section

DASY4 Configuration:

- Probe: ET3DV6 - SN1558; ConvF(4.14, 4.14, 4.14); Calibrated: 11.08.2010
- Sensor-Surface: 4mm (Mechanical And Optical Surface Detection)
- Electronics: DAE3 Sn413; Calibrated: 13.01.2011
- Phantom: SAM 12; Type: SAM; Serial: 1043
- Measurement SW: DASY4, V4.5 Build 19; Postprocessing SW: SEMCAD, V1.8 Build 146

Touch position - Low/Area Scan (51x91x1): Measurement grid: dx=15mm, dy=15mm
Maximum value of SAR (interpolated) = 0.104 mW/g

Touch position - Low/Zoom Scan (7x7x7) (7x7x7)/Cube 0: Measurement grid:
dx=5mm, dy=5mm, dz=5mm

Reference Value = 6.65 V/m; Power Drift = -0.073 dB

Peak SAR (extrapolated) = 0.135 W/kg

SAR(1 g) = 0.081 mW/g; SAR(10 g) = 0.046 mW/g

Maximum value of SAR (measured) = 0.088 mW/g

Touch position - Low/Zoom Scan (7x7x7) (7x7x7)/Cube 1: Measurement grid:

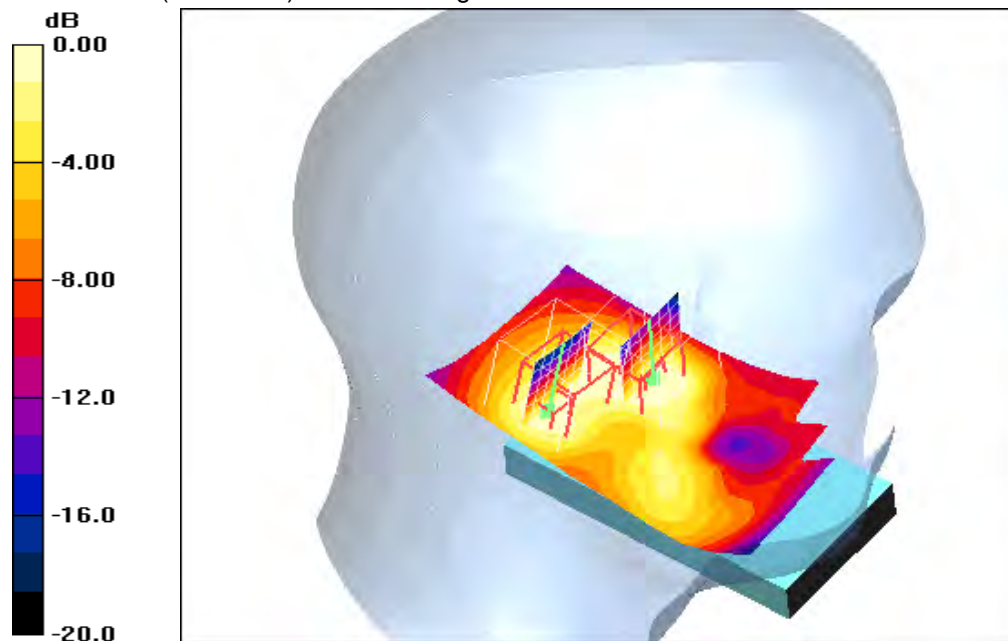
dx=5mm, dy=5mm, dz=5mm

Reference Value = 6.65 V/m; Power Drift = -0.073 dB

Peak SAR (extrapolated) = 0.152 W/kg

SAR(1 g) = 0.074 mW/g; SAR(10 g) = 0.039 mW/g

Maximum value of SAR (measured) = 0.081 mW/g



0 dB = 0.081 mW/g

Additional information:

ambient temperature: 22.6°C; liquid temperature: 22.5°C

Date/Time: 06.04.2011 21:03:40 Date/Time: 06.04.2011 21:10:12 Date/Time: 06.04.2011 21:21:28

IEEE1528_OET65-LeftHandSide-WLAN

DUT: Sony Ericsson; Type: AAD-3880111-BV; Serial: CB5A1CHJZD

Communication System: WLAN 2450 US; Frequency: 2437 MHz; Duty Cycle: 1:1

Medium: HSL2450 Medium parameters used: $f = 2437$ MHz; $\sigma = 1.85$ mho/m; $\epsilon_r = 38.8$; $\rho = 1000$ kg/m³

Phantom section: Left Section

DASY4 Configuration:

- Probe: ET3DV6 - SN1558; ConvF(4.14, 4.14, 4.14); Calibrated: 11.08.2010
- Sensor-Surface: 4mm (Mechanical And Optical Surface Detection)
- Electronics: DAE3 Sn413; Calibrated: 13.01.2011
- Phantom: SAM 12; Type: SAM; Serial: 1043
- Measurement SW: DASY4, V4.5 Build 19; Postprocessing SW: SEMCAD, V1.8 Build 146

Touch position - Middle/Area Scan (51x91x1): Measurement grid: dx=15mm, dy=15mm
Maximum value of SAR (interpolated) = 0.100 mW/g

Touch position - Middle/Zoom Scan (7x7x7) (7x7x7)/Cube 0: Measurement grid:
dx=5mm, dy=5mm, dz=5mm

Reference Value = 7.37 V/m; Power Drift = -0.039 dB

Peak SAR (extrapolated) = 0.187 W/kg

SAR(1 g) = 0.088 mW/g; SAR(10 g) = 0.045 mW/g

Maximum value of SAR (measured) = 0.099 mW/g

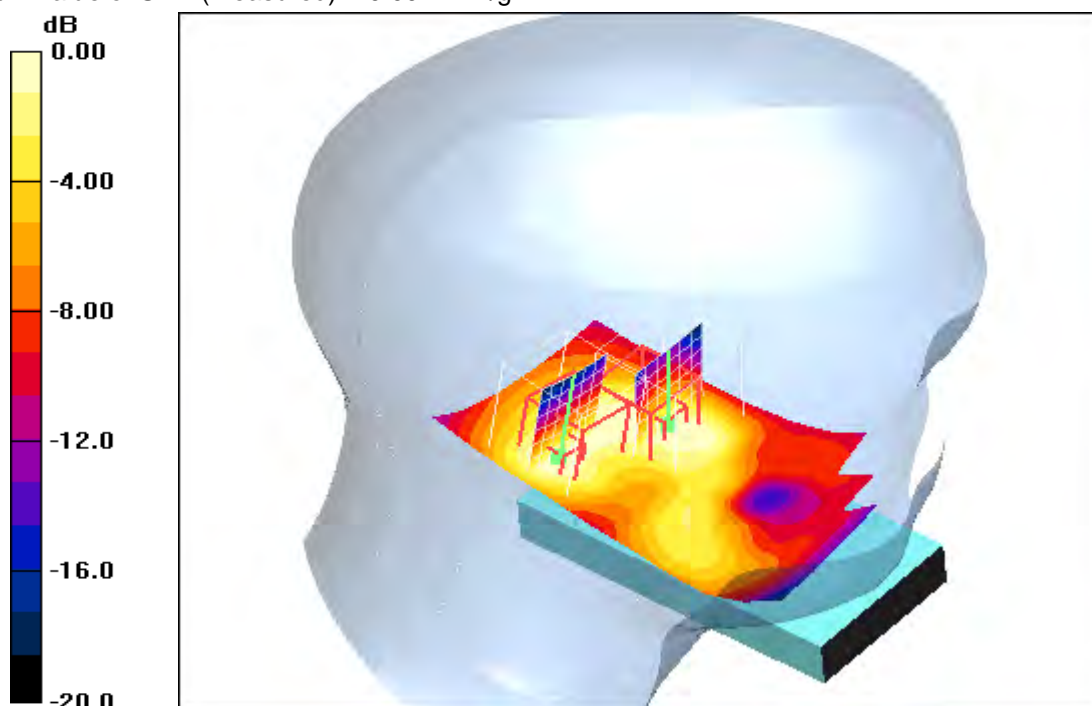
Touch position - Middle/Zoom Scan (7x7x7) (7x7x7)/Cube 1: Measurement grid:
dx=5mm, dy=5mm, dz=5mm

Reference Value = 7.37 V/m; Power Drift = -0.039 dB

Peak SAR (extrapolated) = 0.147 W/kg

SAR(1 g) = 0.083 mW/g; SAR(10 g) = 0.048 mW/g

Maximum value of SAR (measured) = 0.091 mW/g



0 dB = 0.091mW/g

Additional information:

ambient temperature: 22.4°C; liquid temperature: 22.2°C

Date/Time: 07.04.2011 09:59:58 Date/Time: 07.04.2011 10:08:54

IEEE1528_OET65-LeftHandSide-WLAN

DUT: Sony Ericsson; Type: AAD-3880111-BV; Serial: CB5A1CHJZD

Communication System: WLAN 2450 US; Frequency: 2462 MHz; Duty Cycle: 1:1

Medium: HSL2450 Medium parameters used (interpolated): $f = 2462$ MHz; $\sigma = 1.85$ mho/m; $\epsilon_r = 38.8$; $\rho = 1000$ kg/m³

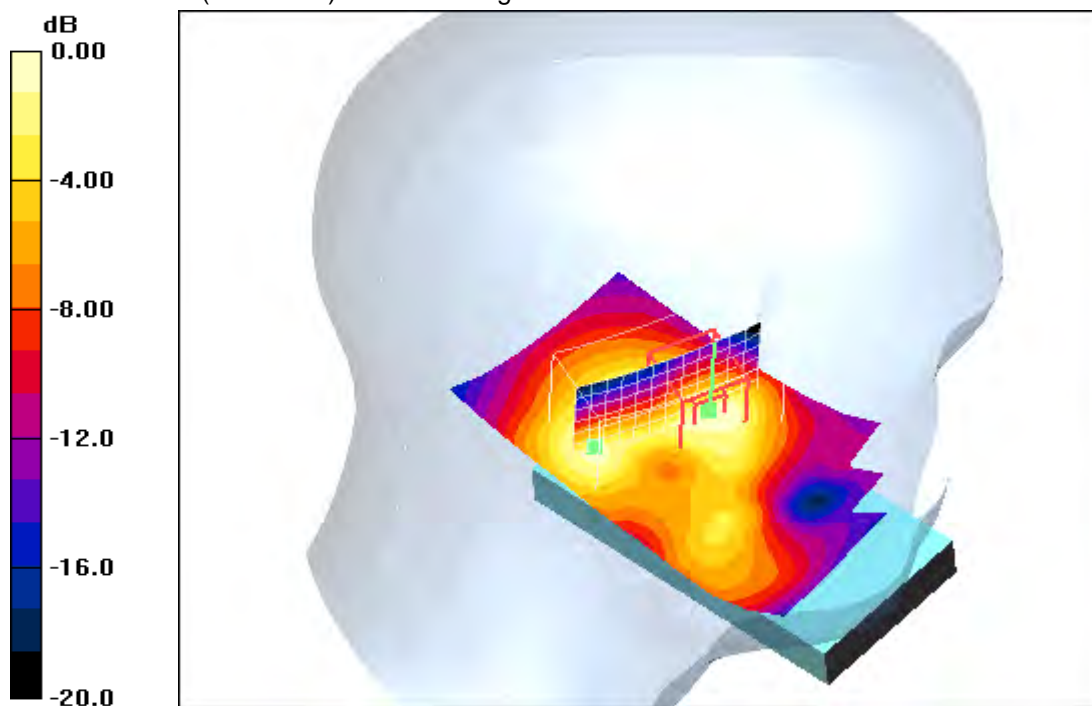
Phantom section: Left Section

DASY4 Configuration:

- Probe: ET3DV6 - SN1558; ConvF(4.14, 4.14, 4.14); Calibrated: 11.08.2010
- Sensor-Surface: 4mm (Mechanical And Optical Surface Detection)
- Electronics: DAE3 Sn413; Calibrated: 13.01.2011
- Phantom: SAM 12; Type: SAM; Serial: 1043
- Measurement SW: DASY4, V4.5 Build 19; Postprocessing SW: SEMCAD, V1.8 Build 146

Touch position - High/Area Scan (51x91x1): Measurement grid: dx=15mm, dy=15mm
 Maximum value of SAR (interpolated) = 0.168 mW/g

Touch position - High/Zoom Scan (7x7x7) (13x7x7)/Cube 0: Measurement grid:
 dx=5mm, dy=5mm, dz=5mm
 Reference Value = 8.58 V/m; Power Drift = 0.041 dB
 Peak SAR (extrapolated) = 0.240 W/kg
SAR(1 g) = 0.135 mW/g; SAR(10 g) = 0.074 mW/g
 Maximum value of SAR (measured) = 0.145 mW/g



0 dB = 0.145mW/g

Additional information:

ambient temperature: 22.7°C; liquid temperature: 22.4°C

Date/Time: 06.04.2011 19:42:16 Date/Time: 06.04.2011 19:48:49 Date/Time: 06.04.2011 19:59:51

IEEE1528_OET65-LeftHandSide-WLAN

DUT: Sony Ericsson; Type: AAD-3880111-BV; Serial: CB5A1CHJZD

Communication System: WLAN 2450 US; Frequency: 2412 MHz; Duty Cycle: 1:1

Medium: HSL2450 Medium parameters used: $f = 2412$ MHz; $\sigma = 1.85$ mho/m; $\epsilon_r = 38.8$; $\rho = 1000$ kg/m³

Phantom section: Left Section

DASY4 Configuration:

- Probe: ET3DV6 - SN1558; ConvF(4.14, 4.14, 4.14); Calibrated: 11.08.2010
- Sensor-Surface: 4mm (Mechanical And Optical Surface Detection)
- Electronics: DAE3 Sn413; Calibrated: 13.01.2011
- Phantom: SAM 12; Type: SAM; Serial: 1043
- Measurement SW: DASY4, V4.5 Build 19; Postprocessing SW: SEMCAD, V1.8 Build 146

Tilt position - Low/Area Scan (51x91x1): Measurement grid: dx=15mm, dy=15mm
 Maximum value of SAR (interpolated) = 0.070 mW/g

Tilt position - Low/Zoom Scan (7x7x7) (7x7x7)/Cube 0: Measurement grid: dx=5mm, dy=5mm, dz=5mm

Reference Value = 6.17 V/m; Power Drift = 0.01 dB

Peak SAR (extrapolated) = 0.137 W/kg

SAR(1 g) = 0.068 mW/g; SAR(10 g) = 0.037 mW/g

Maximum value of SAR (measured) = 0.075 mW/g

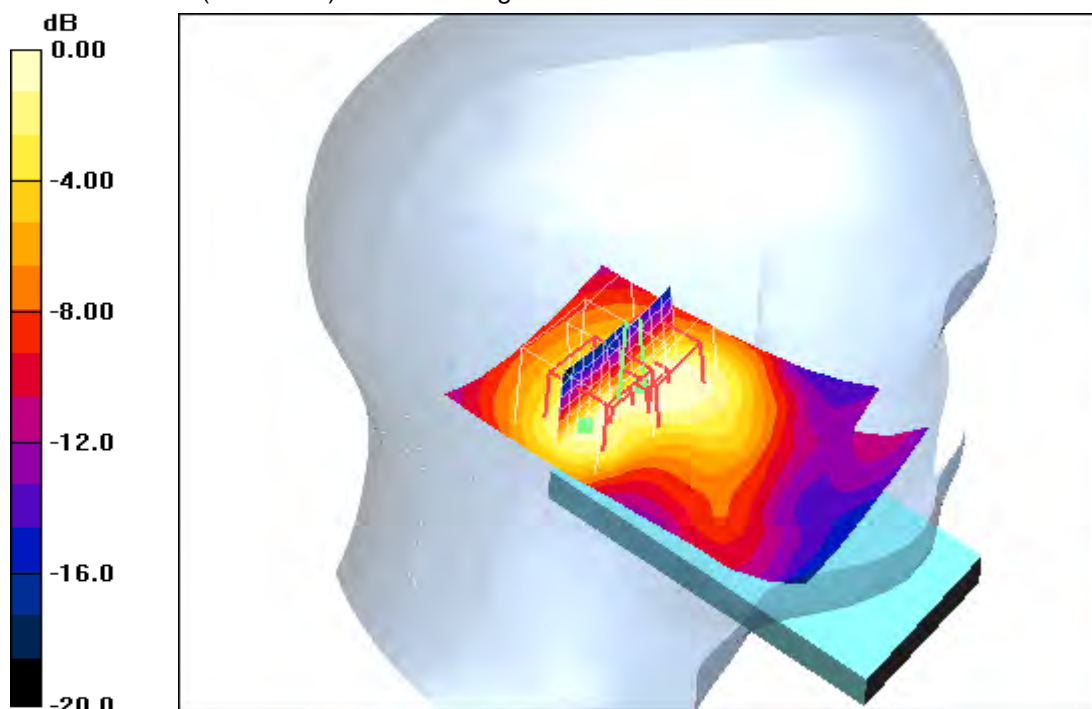
Tilt position - Low/Zoom Scan (7x7x7) (7x7x7)/Cube 1: Measurement grid: dx=5mm, dy=5mm, dz=5mm

Reference Value = 6.17 V/m; Power Drift = 0.01 dB

Peak SAR (extrapolated) = 0.123 W/kg

SAR(1 g) = 0.057 mW/g; SAR(10 g) = 0.030 mW/g

Maximum value of SAR (measured) = 0.068 mW/g



0 dB = 0.068mW/g

Additional information:

ambient temperature: 22.6°C; liquid temperature: 22.5°C

Date/Time: 06.04.2011 21:35:20 Date/Time: 06.04.2011 21:41:55 Date/Time: 06.04.2011 21:53:20

IEEE1528_OET65-LeftHandSide-WLAN

DUT: Sony Ericsson; Type: AAD-3880111-BV; Serial: CB5A1CHJZD

Communication System: WLAN 2450 US; Frequency: 2437 MHz; Duty Cycle: 1:1

Medium: HSL2450 Medium parameters used: $f = 2437$ MHz; $\sigma = 1.85$ mho/m; $\epsilon_r = 38.8$; $\rho = 1000$ kg/m³

Phantom section: Left Section

DASY4 Configuration:

- Probe: ET3DV6 - SN1558; ConvF(4.14, 4.14, 4.14); Calibrated: 11.08.2010
- Sensor-Surface: 4mm (Mechanical And Optical Surface Detection)
- Electronics: DAE3 Sn413; Calibrated: 13.01.2011
- Phantom: SAM 12; Type: SAM; Serial: 1043
- Measurement SW: DASY4, V4.5 Build 19; Postprocessing SW: SEMCAD, V1.8 Build 146

Tilt position - Middle/Area Scan (51x91x1): Measurement grid: dx=15mm, dy=15mm
Maximum value of SAR (interpolated) = 0.087 mW/g

Tilt position - Middle/Zoom Scan (7x7x7) (7x7x7)/Cube 0: Measurement grid:
dx=5mm, dy=5mm, dz=5mm
Reference Value = 6.69 V/m; Power Drift = -0.041 dB
Peak SAR (extrapolated) = 0.148 W/kg

SAR(1 g) = 0.079 mW/g; SAR(10 g) = 0.044 mW/g

Maximum value of SAR (measured) = 0.084 mW/g

Tilt position - Middle/Zoom Scan (7x7x7) (7x7x7)/Cube 1: Measurement grid:

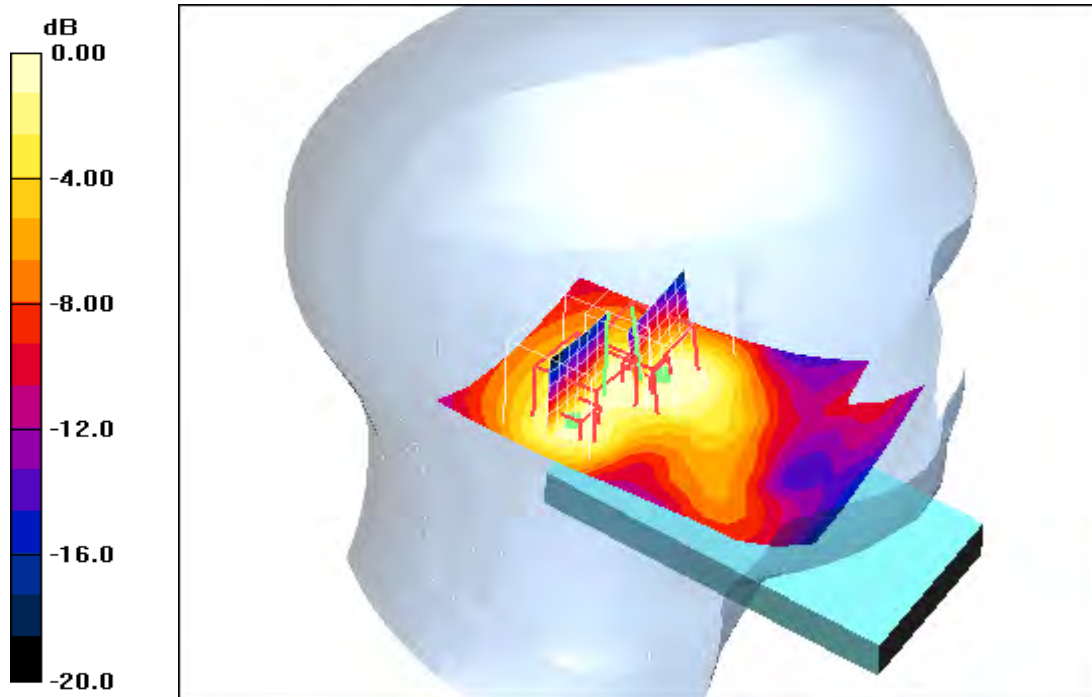
dx=5mm, dy=5mm, dz=5mm

Reference Value = 6.69 V/m; Power Drift = -0.041 dB

Peak SAR (extrapolated) = 0.137 W/kg

SAR(1 g) = 0.065 mW/g; SAR(10 g) = 0.035 mW/g

Maximum value of SAR (measured) = 0.075 mW/g



0 dB = 0.075mW/g

Additional information:

ambient temperature: 22.4°C; liquid temperature: 22.2°C

Date/Time: 07.04.2011 09:18:43 Date/Time: 07.04.2011 09:39:30

IEEE1528_OET65-LeftHandSide-WLAN

DUT: Sony Ericsson; Type: AAD-3880111-BV; Serial: CB5A1CHJZD

Communication System: WLAN 2450 US; Frequency: 2462 MHz; Duty Cycle: 1:1

Medium: HSL2450 Medium parameters used (interpolated): $f = 2462$ MHz; $\sigma = 1.85$ mho/m; $\epsilon_r = 38.8$; $\rho = 1000$ kg/m³

Phantom section: Left Section

DASY4 Configuration:

- Probe: ET3DV6 - SN1558; ConvF(4.14, 4.14, 4.14); Calibrated: 11.08.2010
- Sensor-Surface: 4mm (Mechanical And Optical Surface Detection)
- Electronics: DAE3 Sn413; Calibrated: 13.01.2011
- Phantom: SAM 12; Type: SAM; Serial: 1043
- Measurement SW: DASY4, V4.5 Build 19; Postprocessing SW: SEMCAD, V1.8 Build 146

Tilt position - High/Area Scan (51x91x1): Measurement grid: dx=15mm, dy=15mm

Maximum value of SAR (interpolated) = 0.095 mW/g

Tilt position - High/Zoom Scan (7x7x7) (10x7x7)/Cube 0: Measurement grid:

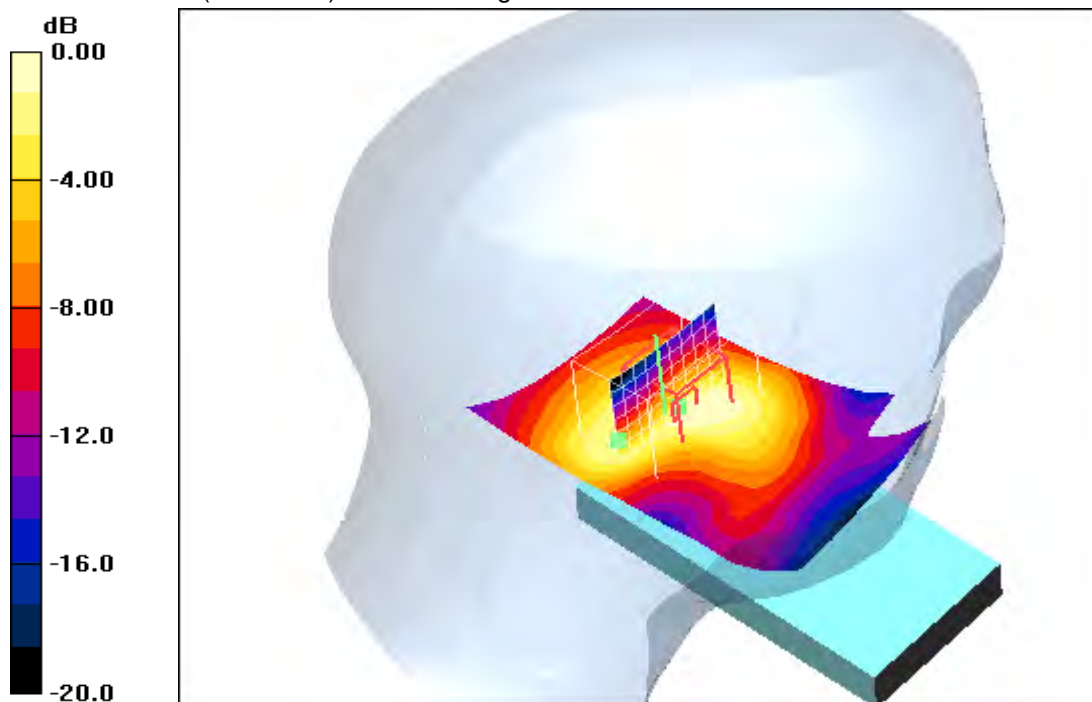
dx=5mm, dy=5mm, dz=5mm

Reference Value = 7.49 V/m; Power Drift = -0.01 dB

Peak SAR (extrapolated) = 0.185 W/kg

SAR(1 g) = 0.093 mW/g; SAR(10 g) = 0.051 mW/g

Maximum value of SAR (measured) = 0.101 mW/g



0 dB = 0.101mW/g

Additional information:

ambient temperature: 22.7°C; liquid temperature: 22.4°C

Date/Time: 06.04.2011 20:36:48 Date/Time: 06.04.2011 20:45:23

IEEE1528_OET65-LeftHandSide-WLAN-open**DUT: Sony Ericsson; Type: AAD-3880111-BV; Serial: CB5A1CHJZD**

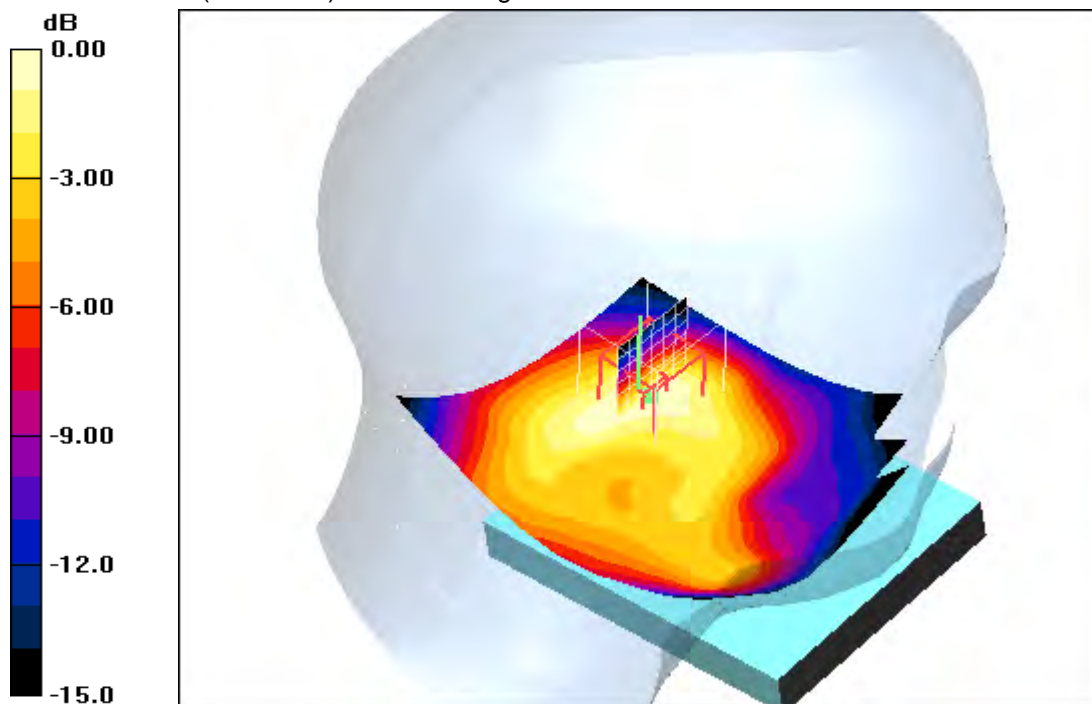
Communication System: WLAN 2450 US; Frequency: 2412 MHz; Duty Cycle: 1:1

Medium: HSL2450 Medium parameters used: $f = 2412$ MHz; $\sigma = 1.85$ mho/m; $\epsilon_r = 38.8$; $\rho = 1000$ kg/m³

Phantom section: Left Section

DASY4 Configuration:

- Probe: ET3DV6 - SN1558; ConvF(4.14, 4.14, 4.14); Calibrated: 11.08.2010
- Sensor-Surface: 4mm (Mechanical And Optical Surface Detection)
- Electronics: DAE3 Sn413; Calibrated: 13.01.2011
- Phantom: SAM 12; Type: SAM; Serial: 1043
- Measurement SW: DASY4, V4.5 Build 19; Postprocessing SW: SEMCAD, V1.8 Build 146

Touch position - Low/Area Scan (71x91x1): Measurement grid: dx=15mm, dy=15mm
Maximum value of SAR (interpolated) = 0.112 mW/g**Touch position - Low/Zoom Scan (7x7x7) (7x7x7)/Cube 0:** Measurement grid:
dx=5mm, dy=5mm, dz=5mm
Reference Value = 7.72 V/m; Power Drift = 0.019 dB
Peak SAR (extrapolated) = 0.180 W/kg
SAR(1 g) = 0.097 mW/g; SAR(10 g) = 0.055 mW/g
Maximum value of SAR (measured) = 0.104 mW/g**Additional information:**

ambient temperature: 22.6°C; liquid temperature: 22.5°C

Date/Time: 06.04.2011 22:27:58 Date/Time: 06.04.2011 22:36:35 Date/Time: 06.04.2011 22:47:33

IEEE1528_OET65-LeftHandSide-WLAN-open

DUT: Sony Ericsson; Type: AAD-3880111-BV; Serial: CB5A1CHJZD

Communication System: WLAN 2450 US; Frequency: 2437 MHz; Duty Cycle: 1:1

Medium: HSL2450 Medium parameters used: $f = 2437$ MHz; $\sigma = 1.85$ mho/m; $\epsilon_r = 38.8$; $\rho = 1000$ kg/m³

Phantom section: Left Section

DASY4 Configuration:

- Probe: ET3DV6 - SN1558; ConvF(4.14, 4.14, 4.14); Calibrated: 11.08.2010
- Sensor-Surface: 4mm (Mechanical And Optical Surface Detection)
- Electronics: DAE3 Sn413; Calibrated: 13.01.2011
- Phantom: SAM 12; Type: SAM; Serial: 1043
- Measurement SW: DASY4, V4.5 Build 19; Postprocessing SW: SEMCAD, V1.8 Build 146

Touch position - Middle/Area Scan (71x91x1): Measurement grid: dx=15mm, dy=15mm
 Maximum value of SAR (interpolated) = 0.124 mW/g

Touch position - Middle/Zoom Scan (7x7x7) (7x7x7)/Cube 0: Measurement grid:
 dx=5mm, dy=5mm, dz=5mm
 Reference Value = 8.08 V/m; Power Drift = 0.013 dB
 Peak SAR (extrapolated) = 0.199 W/kg

SAR(1 g) = 0.107 mW/g; SAR(10 g) = 0.061 mW/g

Maximum value of SAR (measured) = 0.113 mW/g

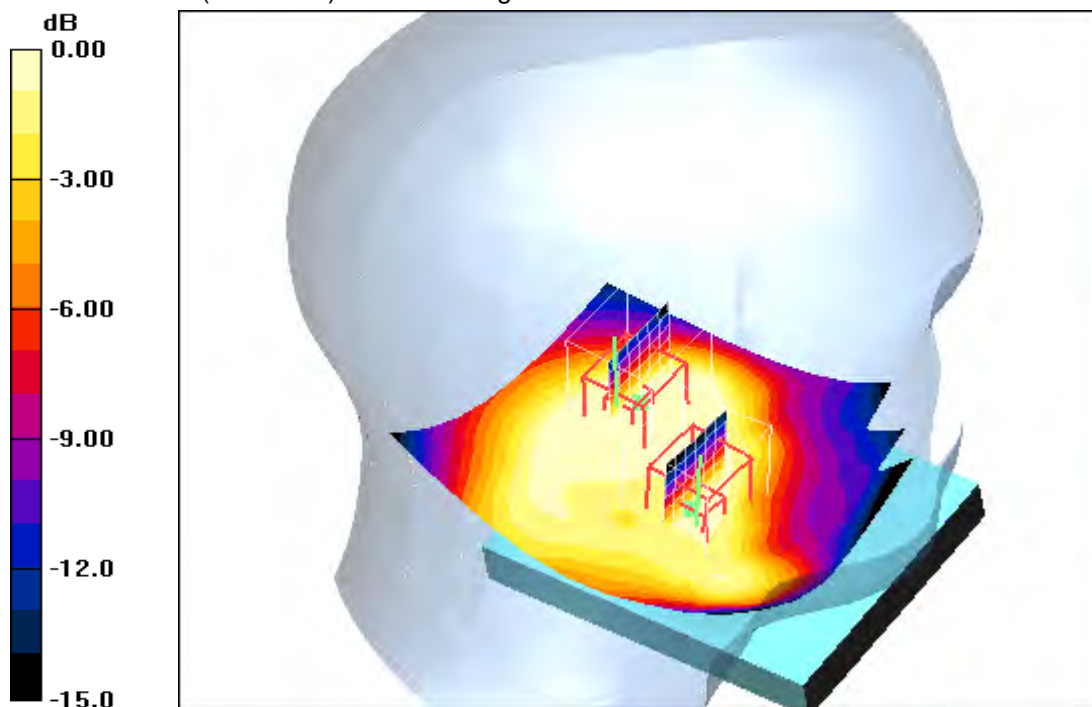
Touch position - Middle/Zoom Scan (7x7x7) (7x7x7)/Cube 1: Measurement grid:

dx=5mm, dy=5mm, dz=5mm
 Reference Value = 8.08 V/m; Power Drift = 0.013 dB

Peak SAR (extrapolated) = 0.128 W/kg

SAR(1 g) = 0.073 mW/g; SAR(10 g) = 0.041 mW/g

Maximum value of SAR (measured) = 0.076 mW/g



0 dB = 0.076mW/g

Additional information:

ambient temperature: 22.4°C; liquid temperature: 22.2°C

Date/Time: 07.04.2011 08:31:24 Date/Time: 07.04.2011 08:41:45

IEEE1528_OET65-LeftHandSide-WLAN-open

DUT: Sony Ericsson; Type: AAD-3880111-BV; Serial: CB5A1CHJZD

Communication System: WLAN 2450 US; Frequency: 2462 MHz; Duty Cycle: 1:1

Medium: HSL2450 Medium parameters used (interpolated): $f = 2462$ MHz; $\sigma = 1.85$ mho/m; $\epsilon_r = 38.8$; $\rho = 1000$ kg/m³

Phantom section: Left Section

DASY4 Configuration:

- Probe: ET3DV6 - SN1558; ConvF(4.14, 4.14, 4.14); Calibrated: 11.08.2010
- Sensor-Surface: 4mm (Mechanical And Optical Surface Detection)
- Electronics: DAE3 Sn413; Calibrated: 13.01.2011
- Phantom: SAM 12; Type: SAM; Serial: 1043
- Measurement SW: DASY4, V4.5 Build 19; Postprocessing SW: SEMCAD, V1.8 Build 146

Touch position - High/Area Scan (71x91x1): Measurement grid: dx=15mm, dy=15mm

Maximum value of SAR (interpolated) = 0.162 mW/g

Touch position - High/Zoom Scan (7x7x7) (7x7x7)/Cube 0: Measurement grid:

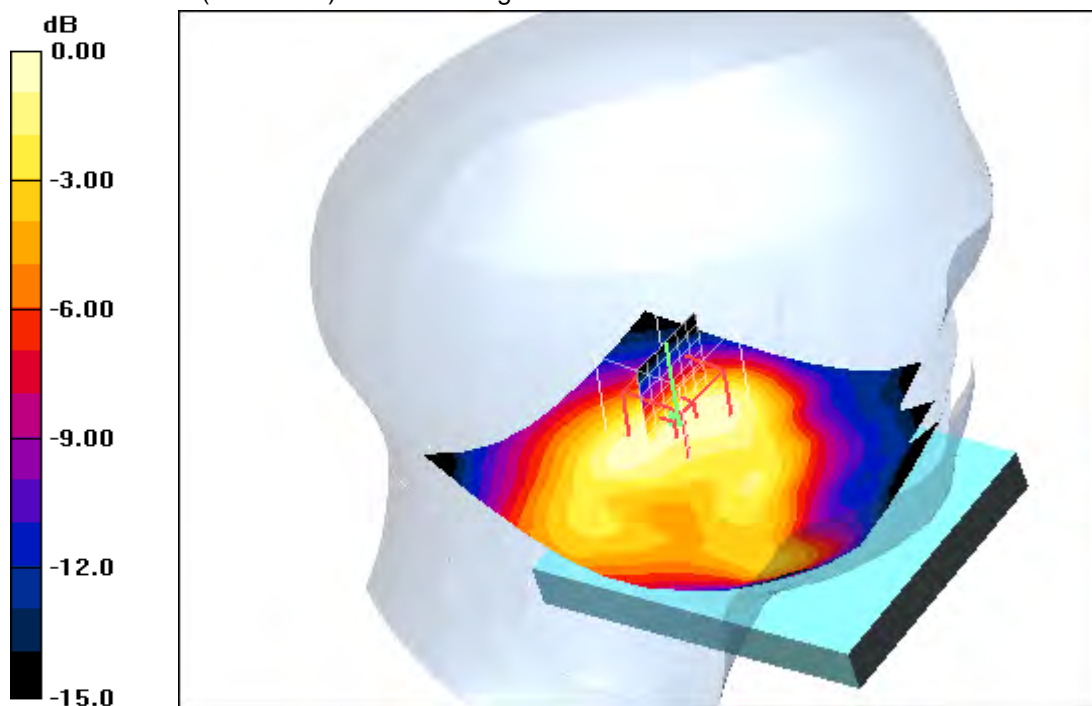
dx=5mm, dy=5mm, dz=5mm

Reference Value = 9.04 V/m; Power Drift = 0.074 dB

Peak SAR (extrapolated) = 0.264 W/kg

SAR(1 g) = 0.140 mW/g; SAR(10 g) = 0.080 mW/g

Maximum value of SAR (measured) = 0.151 mW/g



0 dB = 0.151mW/g

Additional information:

ambient temperature: 22.7°C; liquid temperature: 22.4°C

Date/Time: 06.04.2011 20:13:02 Date/Time: 06.04.2011 20:21:28

IEEE1528_OET65-LeftHandSide-WLAN-open

DUT: Sony Ericsson; Type: AAD-3880111-BV; Serial: CB5A1CHJZD

Communication System: WLAN 2450 US; Frequency: 2412 MHz; Duty Cycle: 1:1

Medium: HSL2450 Medium parameters used: $f = 2412 \text{ MHz}$; $\sigma = 1.85 \text{ mho/m}$; $\epsilon_r = 38.8$; $\rho = 1000 \text{ kg/m}^3$

Phantom section: Left Section

DASY4 Configuration:

- Probe: ET3DV6 - SN1558; ConvF(4.14, 4.14, 4.14); Calibrated: 11.08.2010
- Sensor-Surface: 4mm (Mechanical And Optical Surface Detection) Sensor-Surface: 4mm (Mechanical Surface Detection)
- Electronics: DAE3 Sn413; Calibrated: 13.01.2011
- Phantom: SAM 12; Type: SAM; Serial: 1043
- Measurement SW: DASY4, V4.5 Build 19; Postprocessing SW: SEMCAD, V1.8 Build 146

Tilt position - Low/Area Scan (71x91x1): Measurement grid: $dx=15\text{mm}$, $dy=15\text{mm}$

Maximum value of SAR (interpolated) = 0.147 mW/g

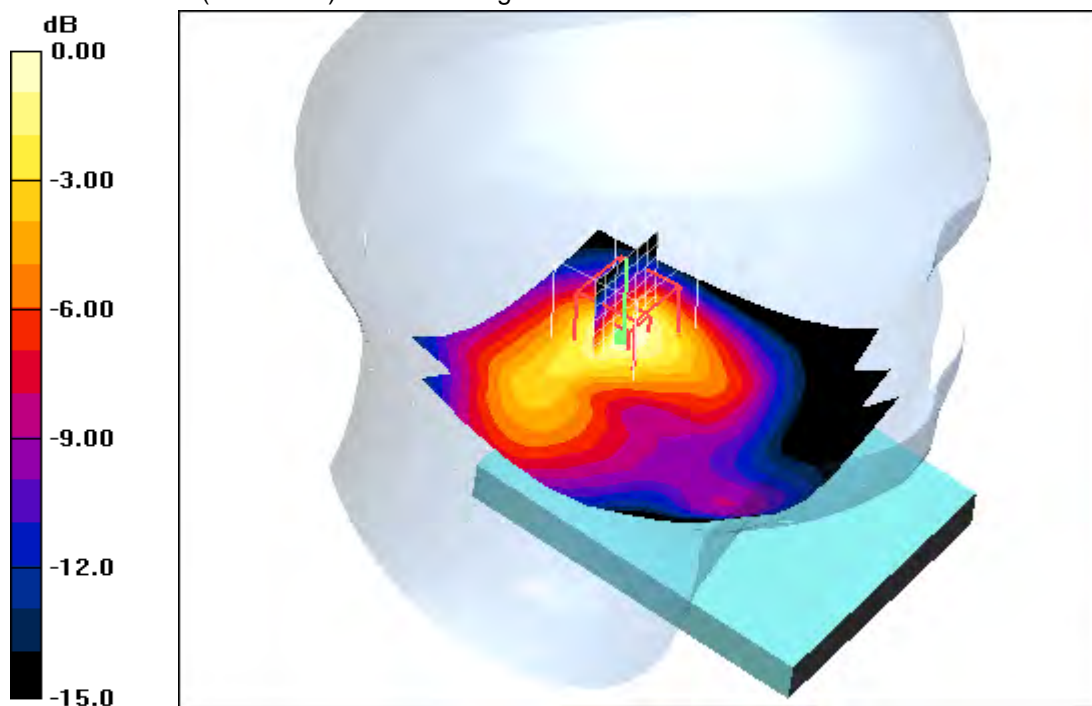
Tilt position - Low/Zoom Scan (7x7x7) (7x7x7)/Cube 0: Measurement grid: $dx=5\text{mm}$, $dy=5\text{mm}$, $dz=5\text{mm}$

Reference Value = 8.97 V/m; Power Drift = 0.00 dB

Peak SAR (extrapolated) = 0.234 W/kg

SAR(1 g) = 0.125 mW/g; SAR(10 g) = 0.065 mW/g

Maximum value of SAR (measured) = 0.141 mW/g



0 dB = 0.141mW/g

Additional information:

ambient temperature: 22.6°C; liquid temperature: 22.5°C

Date/Time: 06.04.2011 22:06:41 Date/Time: 06.04.2011 22:15:09

IEEE1528_OET65-LeftHandSide-WLAN-open

DUT: Sony Ericsson; Type: AAD-3880111-BV; Serial: CB5A1CHJZD

Communication System: WLAN 2450 US; Frequency: 2437 MHz; Duty Cycle: 1:1

Medium: HSL2450 Medium parameters used: $f = 2437 \text{ MHz}$; $\sigma = 1.85 \text{ mho/m}$; $\epsilon_r = 38.8$; $\rho = 1000 \text{ kg/m}^3$

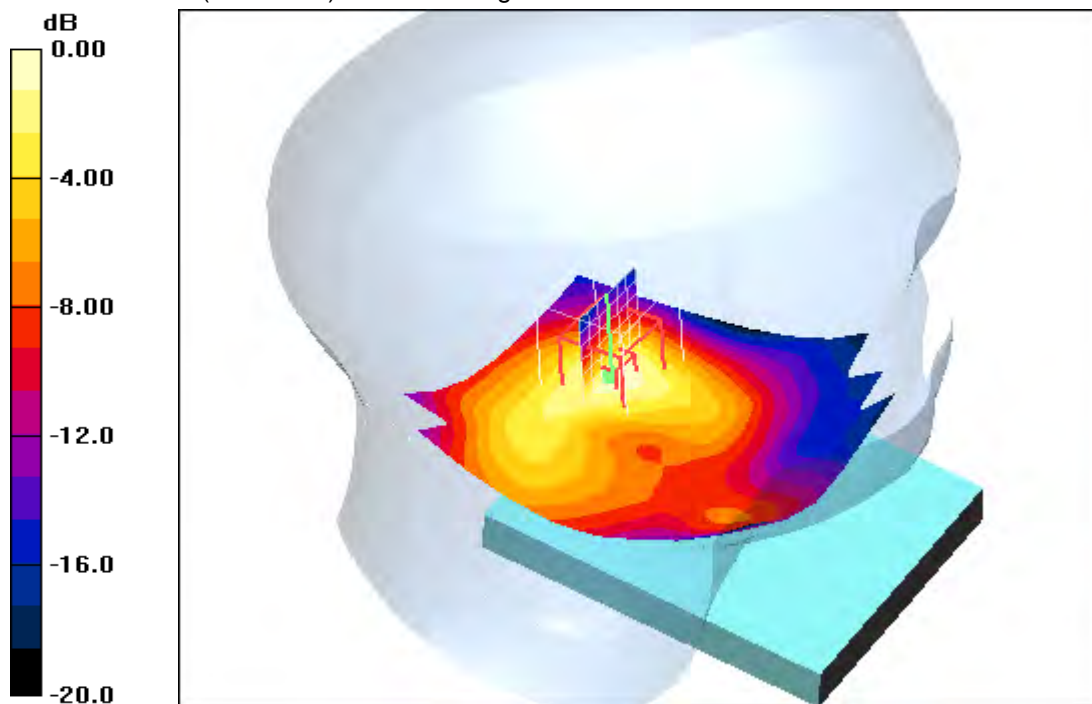
Phantom section: Left Section

DASY4 Configuration:

- Probe: ET3DV6 - SN1558; ConvF(4.14, 4.14, 4.14); Calibrated: 11.08.2010
- Sensor-Surface: 4mm (Mechanical And Optical Surface Detection)
- Electronics: DAE3 Sn413; Calibrated: 13.01.2011
- Phantom: SAM 12; Type: SAM; Serial: 1043
- Measurement SW: DASY4, V4.5 Build 19; Postprocessing SW: SEMCAD, V1.8 Build 146

Tilt position - Middle/Area Scan (71x91x1): Measurement grid: $dx=15\text{mm}$, $dy=15\text{mm}$
 Maximum value of SAR (interpolated) = 0.158 mW/g

Tilt position - Middle/Zoom Scan (7x7x7) (7x7x7)/Cube 0: Measurement grid:
 $dx=5\text{mm}$, $dy=5\text{mm}$, $dz=5\text{mm}$
 Reference Value = 9.14 V/m; Power Drift = -0.014 dB
 Peak SAR (extrapolated) = 0.261 W/kg
SAR(1 g) = 0.137 mW/g; SAR(10 g) = 0.071 mW/g
 Maximum value of SAR (measured) = 0.151 mW/g



0 dB = 0.151mW/g

Additional information:

ambient temperature: 22.4°C; liquid temperature: 22.2°C

Date/Time: 07.04.2011 08:56:38 Date/Time: 07.04.2011 09:05:10

IEEE1528_OET65-LeftHandSide-WLAN-open

DUT: Sony Ericsson; Type: AAD-3880111-BV; Serial: CB5A1CHJZD

Communication System: WLAN 2450 US; Frequency: 2462 MHz; Duty Cycle: 1:1

Medium: HSL2450 Medium parameters used (interpolated): $f = 2462$ MHz; $\sigma = 1.85$ mho/m; $\epsilon_r = 38.8$; $\rho = 1000$ kg/m³

Phantom section: Left Section

DASY4 Configuration:

- Probe: ET3DV6 - SN1558; ConvF(4.14, 4.14, 4.14); Calibrated: 11.08.2010
- Sensor-Surface: 4mm (Mechanical And Optical Surface Detection)
- Electronics: DAE3 Sn413; Calibrated: 13.01.2011
- Phantom: SAM 12; Type: SAM; Serial: 1043
- Measurement SW: DASY4, V4.5 Build 19; Postprocessing SW: SEMCAD, V1.8 Build 146

Tilt position - High/Area Scan (71x91x1): Measurement grid: dx=15mm, dy=15mm

Maximum value of SAR (interpolated) = 0.200 mW/g

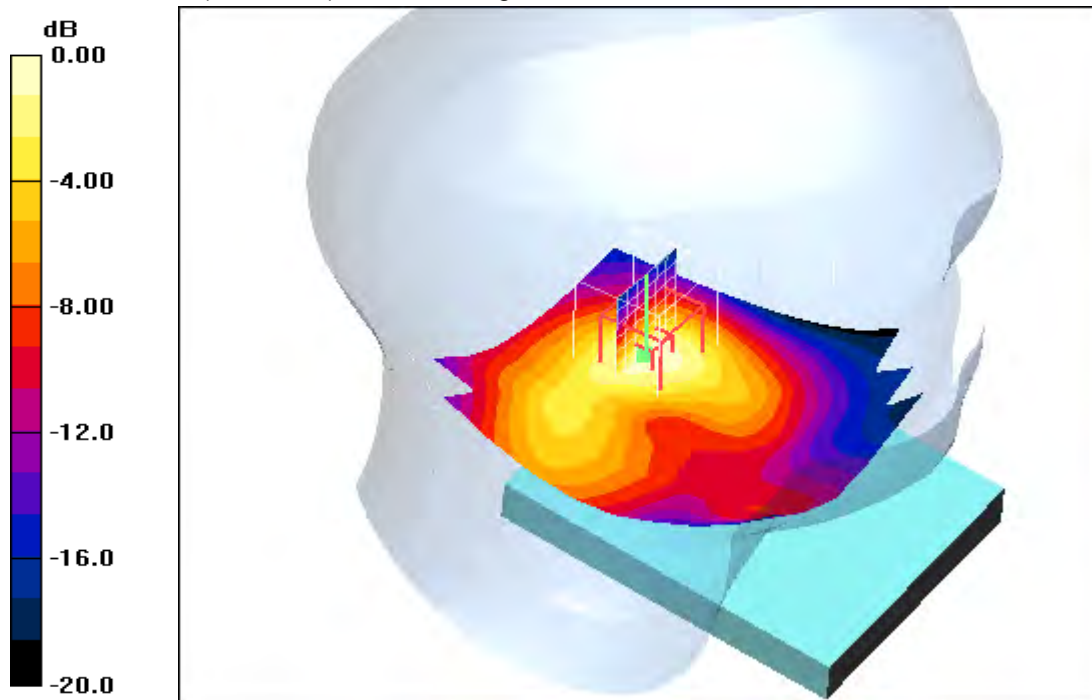
Tilt position - High/Zoom Scan (7x7x7) (7x7x7)/Cube 0: Measurement grid: dx=5mm, dy=5mm, dz=5mm

Reference Value = 9.77 V/m; Power Drift = 0.037 dB

Peak SAR (extrapolated) = 0.333 W/kg

SAR(1 g) = 0.175 mW/g; SAR(10 g) = 0.091 mW/g

Maximum value of SAR (measured) = 0.193 mW/g



0 dB = 0.193mW/g

Additional information:

ambient temperature: 22.7°C; liquid temperature: 22.4°C

Date/Time: 06.04.2011 14:09:21 Date/Time: 06.04.2011 14:15:47

IEEE1528_OET65-RightHandSide-WLAN

DUT: Sony Ericsson; Type: AAD-3880111-BV; Serial: CB5A1CHJZD

Communication System: WLAN 2450 US; Frequency: 2412 MHz; Duty Cycle: 1:1

Medium: HSL2450 Medium parameters used: $f = 2412$ MHz; $\sigma = 1.85$ mho/m; $\epsilon_r = 38.8$; $\rho = 1000$ kg/m³

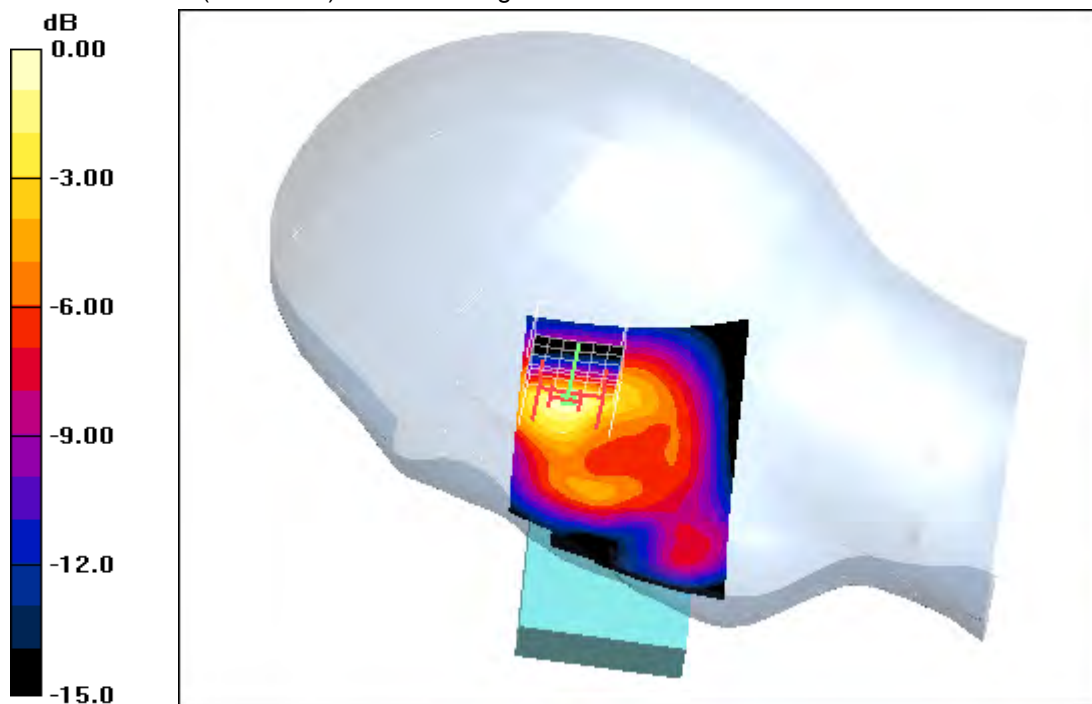
Phantom section: Right Section

DASY4 Configuration:

- Probe: ET3DV6 - SN1558; ConvF(4.14, 4.14, 4.14); Calibrated: 11.08.2010
- Sensor-Surface: 4mm (Mechanical And Optical Surface Detection)
- Electronics: DAE3 Sn413; Calibrated: 13.01.2011
- Phantom: SAM 12; Type: SAM; Serial: 1043
- Measurement SW: DASY4, V4.5 Build 19; Postprocessing SW: SEMCAD, V1.8 Build 146

Touch position - Low/Area Scan (51x91x1): Measurement grid: dx=15mm, dy=15mm
Maximum value of SAR (interpolated) = 0.159 mW/g

Touch position - Low/Zoom Scan (7x7x7) (7x7x7)/Cube 0: Measurement grid:
dx=5mm, dy=5mm, dz=5mm
Reference Value = 9.41 V/m; Power Drift = -0.049 dB
Peak SAR (extrapolated) = 0.305 W/kg
SAR(1 g) = 0.139 mW/g; SAR(10 g) = 0.065 mW/g
Maximum value of SAR (measured) = 0.155 mW/g



0 dB = 0.155mW/g

Additional information:

ambient temperature: 22.7 °C; liquid temperature: 22.2 °C

Date/Time: 06.04.2011 17:11:18 Date/Time: 06.04.2011 17:17:42

IEEE1528_OET65-RightHandSide-WLAN

DUT: Sony Ericsson; Type: AAD-3880111-BV; Serial: CB5A1CHJZD

Communication System: WLAN 2450 US; Frequency: 2437 MHz; Duty Cycle: 1:1

Medium: HSL2450 Medium parameters used: $f = 2437$ MHz; $\sigma = 1.85$ mho/m; $\epsilon_r = 38.8$; $\rho = 1000$ kg/m³

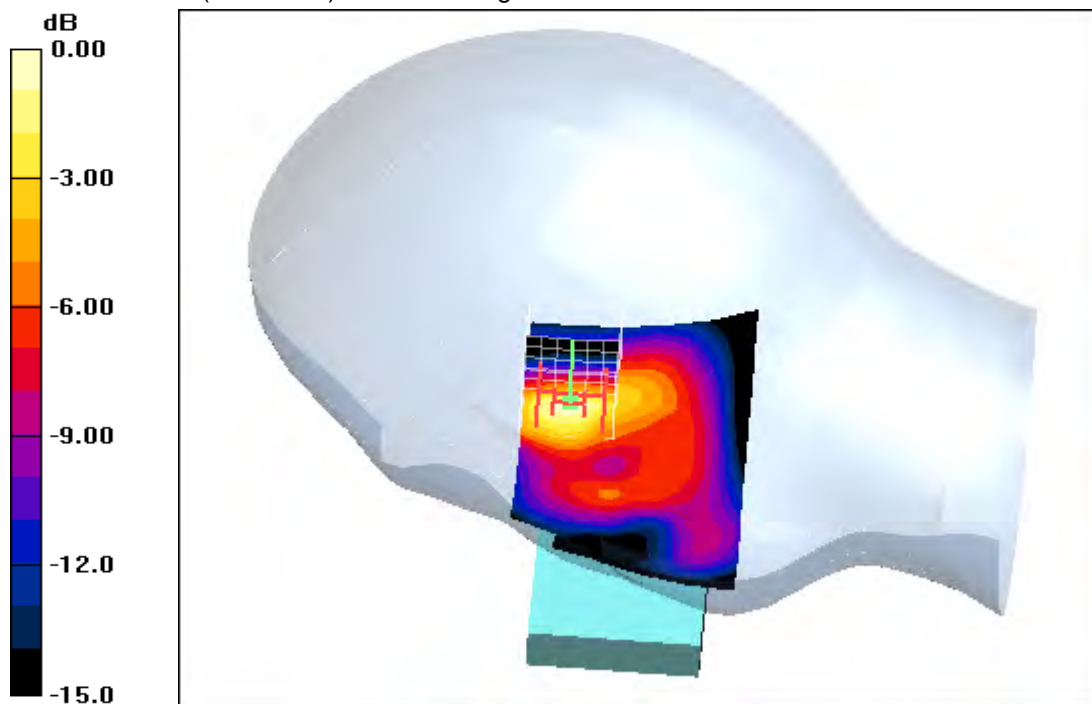
Phantom section: Right Section

DASY4 Configuration:

- Probe: ET3DV6 - SN1558; ConvF(4.14, 4.14, 4.14); Calibrated: 11.08.2010
- Sensor-Surface: 4mm (Mechanical And Optical Surface Detection)
- Electronics: DAE3 Sn413; Calibrated: 13.01.2011
- Phantom: SAM 12; Type: SAM; Serial: 1043
- Measurement SW: DASY4, V4.5 Build 19; Postprocessing SW: SEMCAD, V1.8 Build 146

Touch position - Middle/Area Scan (51x91x1): Measurement grid: dx=15mm, dy=15mm
Maximum value of SAR (interpolated) = 0.187 mW/g

Touch position - Middle/Zoom Scan (7x7x7) (7x7x7)/Cube 0: Measurement grid:
dx=5mm, dy=5mm, dz=5mm
Reference Value = 10.3 V/m; Power Drift = 0.035 dB
Peak SAR (extrapolated) = 0.397 W/kg
SAR(1 g) = 0.169 mW/g; SAR(10 g) = 0.078 mW/g
Maximum value of SAR (measured) = 0.192 mW/g



Additional information:

ambient temperature: 23.2 °C; liquid temperature: 22.7 °C

Date/Time: 06.04.2011 17:37:28 Date/Time: 06.04.2011 17:43:55

IEEE1528_OET65-RightHandSide-WLAN

DUT: Sony Ericsson; Type: AAD-3880111-BV; Serial: CB5A1CHJZD

Communication System: WLAN 2450 US; Frequency: 2462 MHz; Duty Cycle: 1:1

Medium: HSL2450 Medium parameters used (interpolated): $f = 2462$ MHz; $\sigma = 1.85$ mho/m; $\epsilon_r = 38.8$; $\rho = 1000$ kg/m³

Phantom section: Right Section

DASY4 Configuration:

- Probe: ET3DV6 - SN1558; ConvF(4.14, 4.14, 4.14); Calibrated: 11.08.2010
- Sensor-Surface: 4mm (Mechanical And Optical Surface Detection)
- Electronics: DAE3 Sn413; Calibrated: 13.01.2011
- Phantom: SAM 12; Type: SAM; Serial: 1043
- Measurement SW: DASY4, V4.5 Build 19; Postprocessing SW: SEMCAD, V1.8 Build 146

Touch position - High/Area Scan (51x91x1): Measurement grid: dx=15mm, dy=15mm

Maximum value of SAR (interpolated) = 0.234 mW/g

Touch position - High/Zoom Scan (7x7x7) (7x7x7)/Cube 0: Measurement grid:

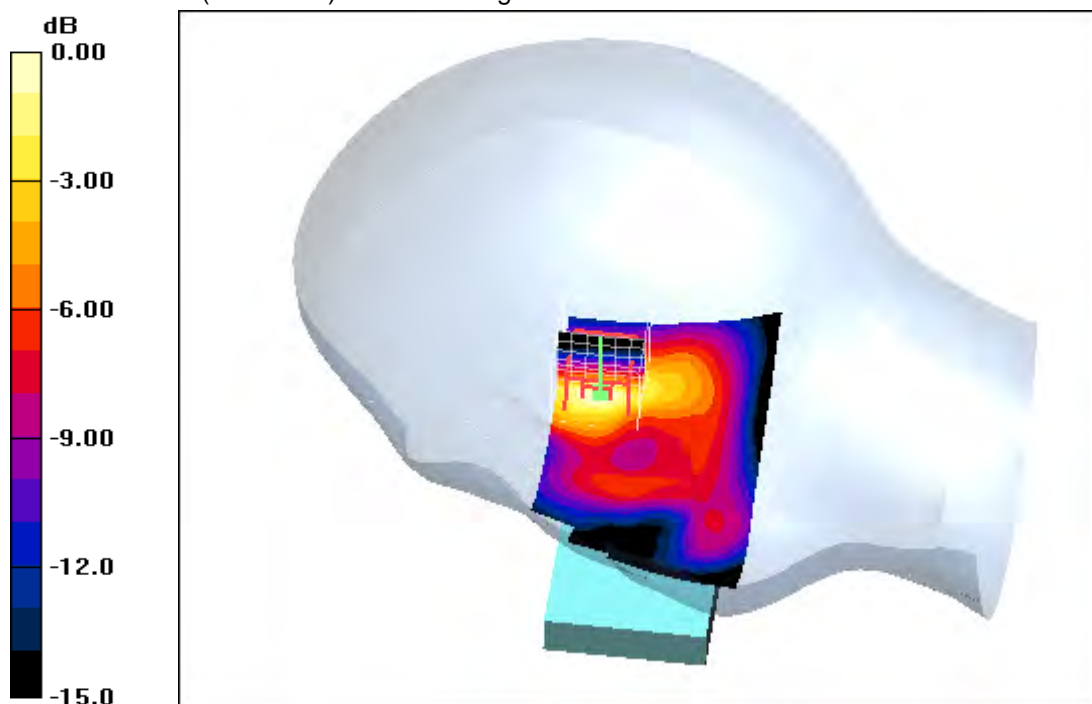
dx=5mm, dy=5mm, dz=5mm

Reference Value = 11.9 V/m; Power Drift = -0.066 dB

Peak SAR (extrapolated) = 0.494 W/kg

SAR(1 g) = 0.206 mW/g; SAR(10 g) = 0.095 mW/g

Maximum value of SAR (measured) = 0.223 mW/g



0 dB = 0.223mW/g

Additional information:

ambient temperature: 23.2 °C; liquid temperature: 22.7 °C

Date/Time: 06.04.2011 14:31:01 Date/Time: 06.04.2011 14:37:27

IEEE1528_OET65-RightHandSide-WLAN

DUT: Sony Ericsson; Type: AAD-3880111-BV; Serial: CB5A1CHJZD

Communication System: WLAN 2450 US; Frequency: 2412 MHz; Duty Cycle: 1:1

Medium: HSL2450 Medium parameters used: $f = 2412$ MHz; $\sigma = 1.85$ mho/m; $\epsilon_r = 38.8$; $\rho = 1000$ kg/m³

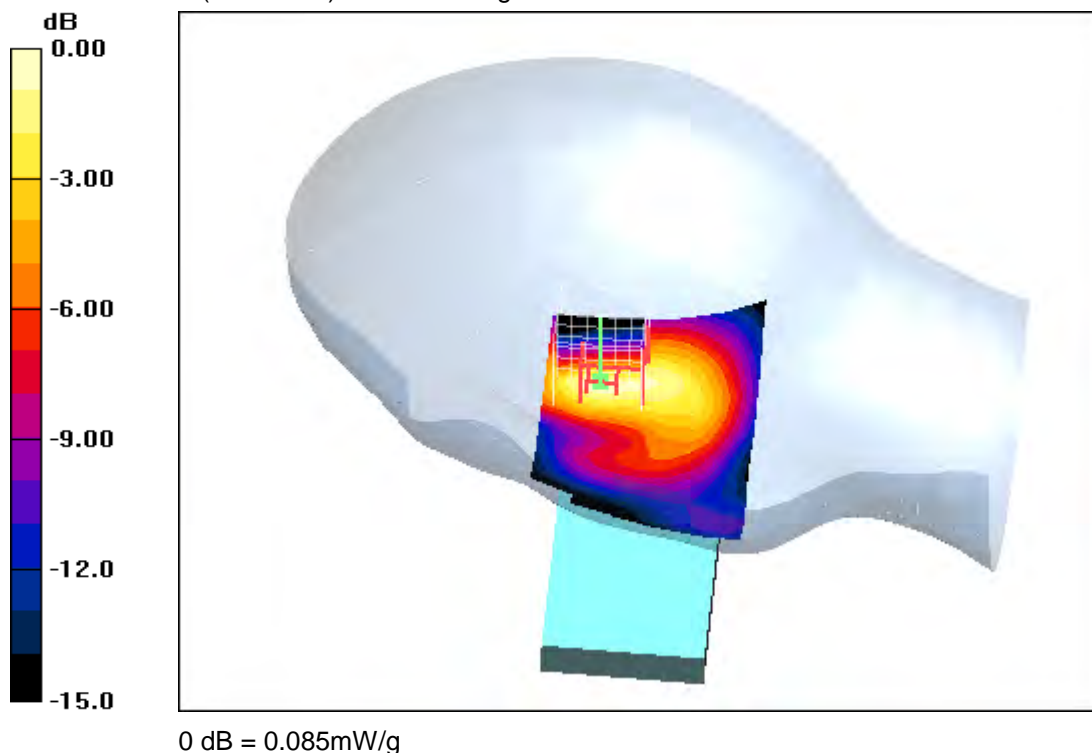
Phantom section: Right Section

DASY4 Configuration:

- Probe: ET3DV6 - SN1558; ConvF(4.14, 4.14, 4.14); Calibrated: 11.08.2010
- Sensor-Surface: 4mm (Mechanical And Optical Surface Detection)
- Electronics: DAE3 Sn413; Calibrated: 13.01.2011
- Phantom: SAM 12; Type: SAM; Serial: 1043
- Measurement SW: DASY4, V4.5 Build 19; Postprocessing SW: SEMCAD, V1.8 Build 146

Tilt position - Low/Area Scan (51x91x1): Measurement grid: dx=15mm, dy=15mm
 Maximum value of SAR (interpolated) = 0.085 mW/g

Tilt position - Low/Zoom Scan (7x7x7) (7x7x7)/Cube 0: Measurement grid: dx=5mm, dy=5mm, dz=5mm
 Reference Value = 6.82 V/m; Power Drift = 0.098 dB
 Peak SAR (extrapolated) = 0.168 W/kg
SAR(1 g) = 0.077 mW/g; SAR(10 g) = 0.039 mW/g
 Maximum value of SAR (measured) = 0.085 mW/g



Additional information:
 ambient temperature: 22.8 °C; liquid temperature: 22.3 °C

Date/Time: 06.04.2011 16:48:00 Date/Time: 06.04.2011 16:55:57

IEEE1528_OET65-RightHandSide-WLAN

DUT: Sony Ericsson; Type: AAD-3880111-BV; Serial: CB5A1CHJZD

Communication System: WLAN 2450 US; Frequency: 2437 MHz; Duty Cycle: 1:1

Medium: HSL2450 Medium parameters used: $f = 2437$ MHz; $\sigma = 1.85$ mho/m; $\epsilon_r = 38.8$; $\rho = 1000$ kg/m³

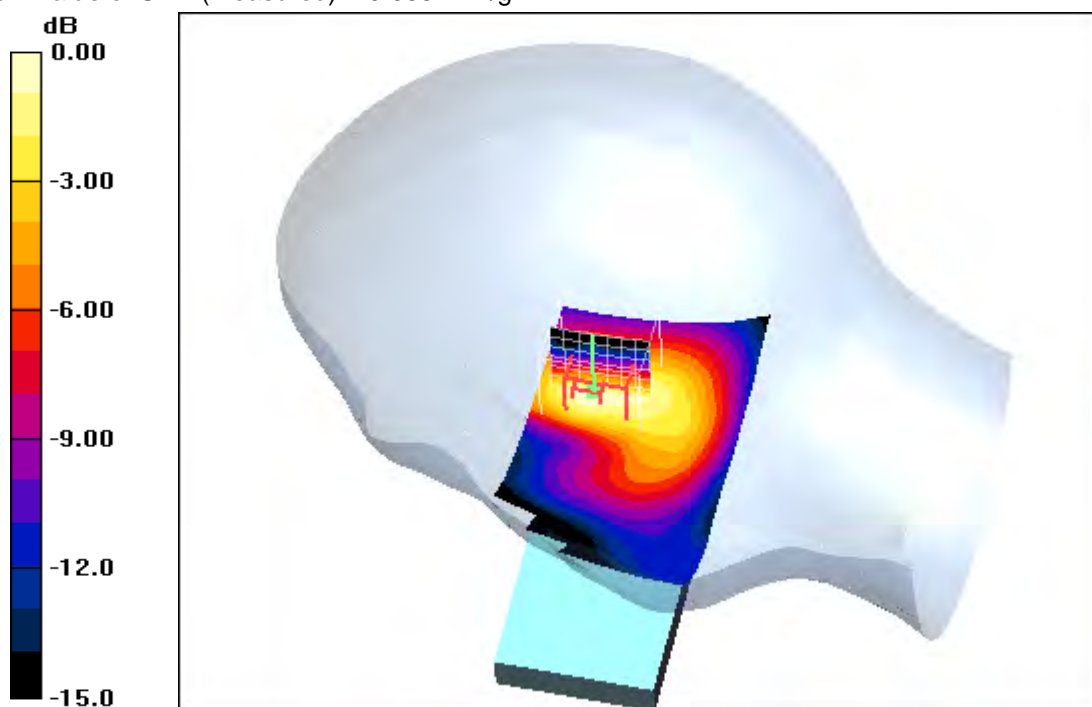
Phantom section: Right Section

DASY4 Configuration:

- Probe: ET3DV6 - SN1558; ConvF(4.14, 4.14, 4.14); Calibrated: 11.08.2010
- Sensor-Surface: 4mm (Mechanical And Optical Surface Detection)
- Electronics: DAE3 Sn413; Calibrated: 13.01.2011
- Phantom: SAM 12; Type: SAM; Serial: 1043
- Measurement SW: DASY4, V4.5 Build 19; Postprocessing SW: SEMCAD, V1.8 Build 146

Tilt position - Middle/Area Scan (51x91x1): Measurement grid: dx=15mm, dy=15mm
 Maximum value of SAR (interpolated) = 0.090 mW/g

Tilt position - Middle/Zoom Scan (7x7x7) (8x7x7)/Cube 0: Measurement grid:
 dx=5mm, dy=5mm, dz=5mm
 Reference Value = 6.84 V/m; Power Drift = -0.045 dB
 Peak SAR (extrapolated) = 0.176 W/kg
SAR(1 g) = 0.081 mW/g; SAR(10 g) = 0.040 mW/g
 Maximum value of SAR (measured) = 0.088 mW/g



0 dB = 0.088mW/g

Additional information:

ambient temperature: 23.3 °C; liquid temperature: 22.8 °C

Date/Time: 06.04.2011 17:58:18 Date/Time: 06.04.2011 18:04:47

IEEE1528_OET65-RightHandSide-WLAN

DUT: Sony Ericsson; Type: AAD-3880111-BV; Serial: CB5A1CHJZD

Communication System: WLAN 2450 US; Frequency: 2462 MHz; Duty Cycle: 1:1

Medium: HSL2450 Medium parameters used (interpolated): $f = 2462 \text{ MHz}$; $\sigma = 1.85 \text{ mho/m}$; $\epsilon_r = 38.8$; $\rho = 1000 \text{ kg/m}^3$

Phantom section: Right Section

DASY4 Configuration:

- Probe: ET3DV6 - SN1558; ConvF(4.14, 4.14, 4.14); Calibrated: 11.08.2010
- Sensor-Surface: 4mm (Mechanical And Optical Surface Detection)
- Electronics: DAE3 Sn413; Calibrated: 13.01.2011
- Phantom: SAM 12; Type: SAM; Serial: 1043
- Measurement SW: DASY4, V4.5 Build 19; Postprocessing SW: SEMCAD, V1.8 Build 146

Tilt position - High/Area Scan (51x91x1): Measurement grid: $dx=15\text{mm}$, $dy=15\text{mm}$

Maximum value of SAR (interpolated) = 0.138 mW/g

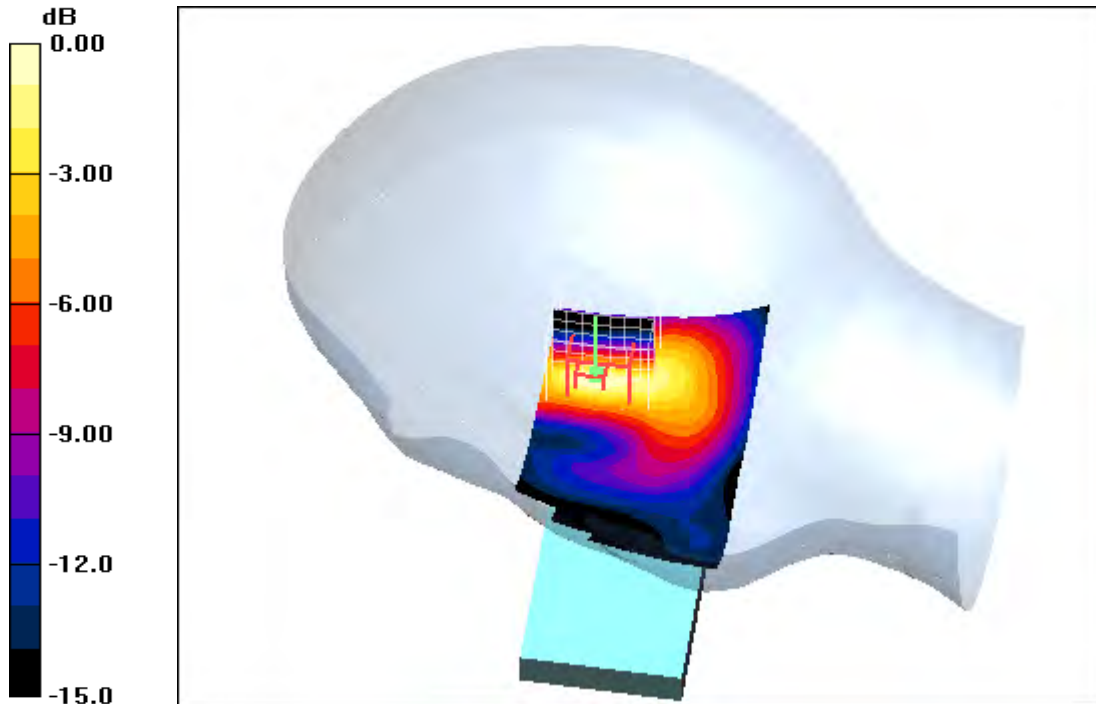
Tilt position - High/Zoom Scan (7x7x7) (8x7x7)/Cube 0: Measurement grid: $dx=5\text{mm}$, $dy=5\text{mm}$, $dz=5\text{mm}$

Reference Value = 8.92 V/m; Power Drift = 0.01 dB

Peak SAR (extrapolated) = 0.278 W/kg

SAR(1 g) = 0.119 mW/g; SAR(10 g) = 0.057 mW/g

Maximum value of SAR (measured) = 0.133 mW/g



0 dB = 0.133mW/g

Additional information:

ambient temperature: 23.2 °C; liquid temperature: 22.7 °C

Date/Time: 06.04.2011 15:31:56 Date/Time: 06.04.2011 15:40:58

IEEE1528_OET65-RightHandSide-WLAN open

DUT: Sony Ericsson; Type: AAD-3880111-BV; Serial: CB5A1CHJZD

Communication System: WLAN 2450 US; Frequency: 2412 MHz; Duty Cycle: 1:1

Medium: HSL2450 Medium parameters used: $f = 2412 \text{ MHz}$; $\sigma = 1.85 \text{ mho/m}$; $\epsilon_r = 38.8$; $\rho = 1000 \text{ kg/m}^3$

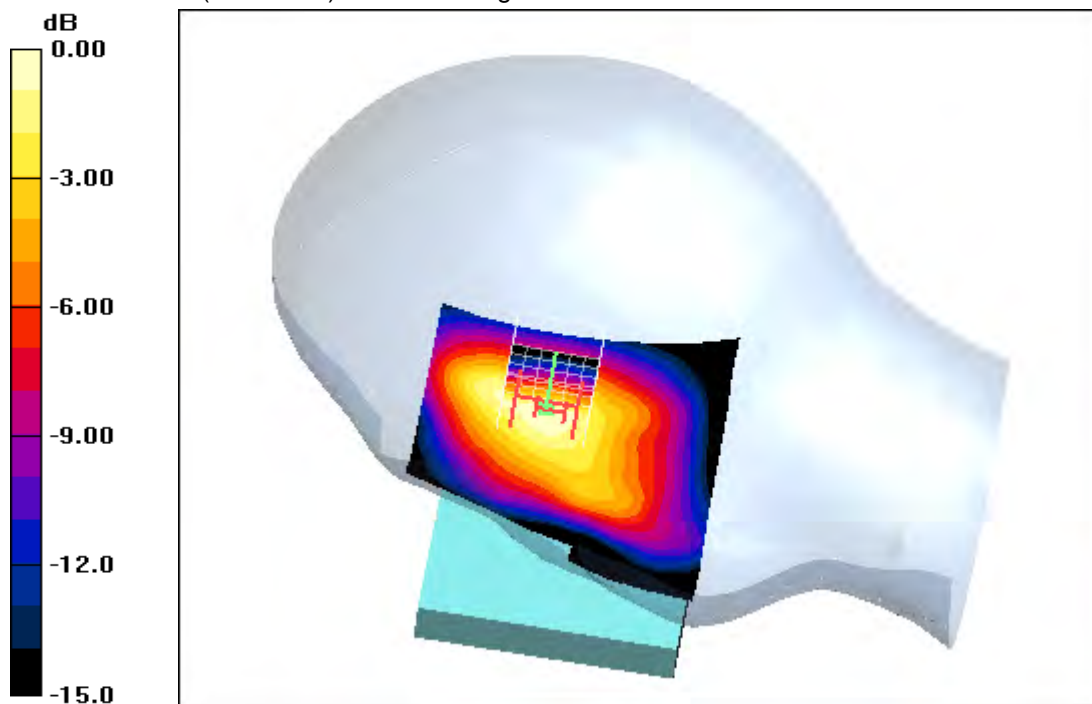
Phantom section: Right Section

DASY4 Configuration:

- Probe: ET3DV6 - SN1558; ConvF(4.14, 4.14, 4.14); Calibrated: 11.08.2010
- Sensor-Surface: 4mm (Mechanical And Optical Surface Detection)
- Electronics: DAE3 Sn413; Calibrated: 13.01.2011
- Phantom: SAM 12; Type: SAM; Serial: 1043
- Measurement SW: DASY4, V4.5 Build 19; Postprocessing SW: SEMCAD, V1.8 Build 146

Touch position - Low/Area Scan (71x91x1): Measurement grid: $dx=15\text{mm}$, $dy=15\text{mm}$
 Maximum value of SAR (interpolated) = 0.226 mW/g

Touch position - Low/Zoom Scan (7x7x7) (7x7x7)/Cube 0: Measurement grid:
 $dx=5\text{mm}$, $dy=5\text{mm}$, $dz=5\text{mm}$
 Reference Value = 10.9 V/m; Power Drift = 0.032 dB
 Peak SAR (extrapolated) = 0.373 W/kg
SAR(1 g) = 0.196 mW/g; SAR(10 g) = 0.107 mW/g
 Maximum value of SAR (measured) = 0.211 mW/g



0 dB = 0.211mW/g

Additional information:

ambient temperature: 22.7 °C; liquid temperature: 22.5 °C

Date/Time: 06.04.2011 16:00:53 Date/Time: 06.04.2011 16:09:05

IEEE1528_OET65-RightHandSide-WLAN open

DUT: Sony Ericsson; Type: AAD-3880111-BV; Serial: CB5A1CHJZD

Communication System: WLAN 2450 US; Frequency: 2437 MHz; Duty Cycle: 1:1

Medium: HSL2450 Medium parameters used: $f = 2437 \text{ MHz}$; $\sigma = 1.85 \text{ mho/m}$; $\epsilon_r = 38.8$; $\rho = 1000 \text{ kg/m}^3$

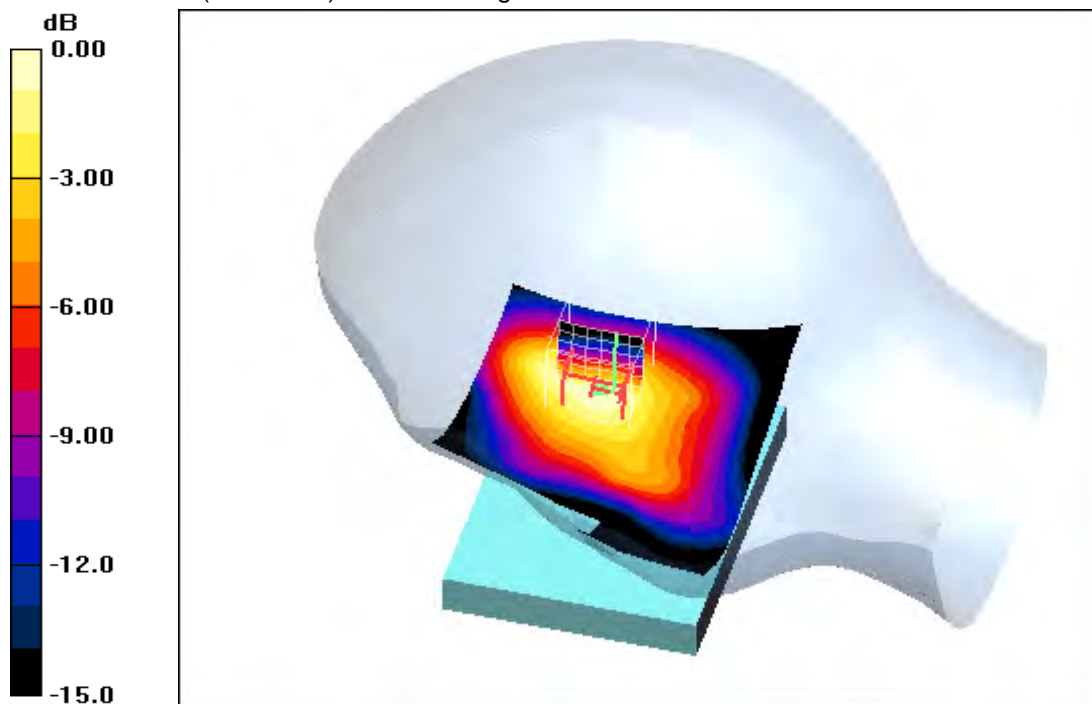
Phantom section: Right Section

DASY4 Configuration:

- Probe: ET3DV6 - SN1558; ConvF(4.14, 4.14, 4.14); Calibrated: 11.08.2010
- Sensor-Surface: 4mm (Mechanical And Optical Surface Detection)
- Electronics: DAE3 Sn413; Calibrated: 13.01.2011
- Phantom: SAM 12; Type: SAM; Serial: 1043
- Measurement SW: DASY4, V4.5 Build 19; Postprocessing SW: SEMCAD, V1.8 Build 146

Touch position - Middle/Area Scan (71x91x1): Measurement grid: $dx=15\text{mm}$, $dy=15\text{mm}$
 Maximum value of SAR (interpolated) = 0.260 mW/g

Touch position - Middle/Zoom Scan (7x7x7) (7x7x7)/Cube 0: Measurement grid:
 $dx=5\text{mm}$, $dy=5\text{mm}$, $dz=5\text{mm}$
 Reference Value = 11.8 V/m; Power Drift = -0.113 dB
 Peak SAR (extrapolated) = 0.428 W/kg
SAR(1 g) = 0.223 mW/g; SAR(10 g) = 0.122 mW/g
 Maximum value of SAR (measured) = 0.246 mW/g



0 dB = 0.246mW/g

Additional information:

position or distance of DUT to SAM (if not standard head positions) :
 ambient temperature: 23.0 °C; liquid temperature: 22.6 °C

Date/Time: 06.04.2011 18:42:43 Date/Time: 06.04.2011 18:50:57

IEEE1528_OET65-RightHandSide-WLAN open

DUT: Sony Ericsson; Type: AAD-3880111-BV; Serial: CB5A1CHJZD

Communication System: WLAN 2450 US; Frequency: 2462 MHz; Duty Cycle: 1:1

Medium: HSL2450 Medium parameters used (interpolated): $f = 2462$ MHz; $\sigma = 1.85$ mho/m; $\epsilon_r = 38.8$; $\rho = 1000$ kg/m³

Phantom section: Right Section

DASY4 Configuration:

- Probe: ET3DV6 - SN1558; ConvF(4.14, 4.14, 4.14); Calibrated: 11.08.2010
- Sensor-Surface: 4mm (Mechanical And Optical Surface Detection)
- Electronics: DAE3 Sn413; Calibrated: 13.01.2011
- Phantom: SAM 12; Type: SAM; Serial: 1043
- Measurement SW: DASY4, V4.5 Build 19; Postprocessing SW: SEMCAD, V1.8 Build 146

Touch position - High/Area Scan (71x91x1): Measurement grid: dx=15mm, dy=15mm

Maximum value of SAR (interpolated) = 0.302 mW/g

Touch position - High/Zoom Scan (7x7x7) (7x7x7)/Cube 0: Measurement grid:

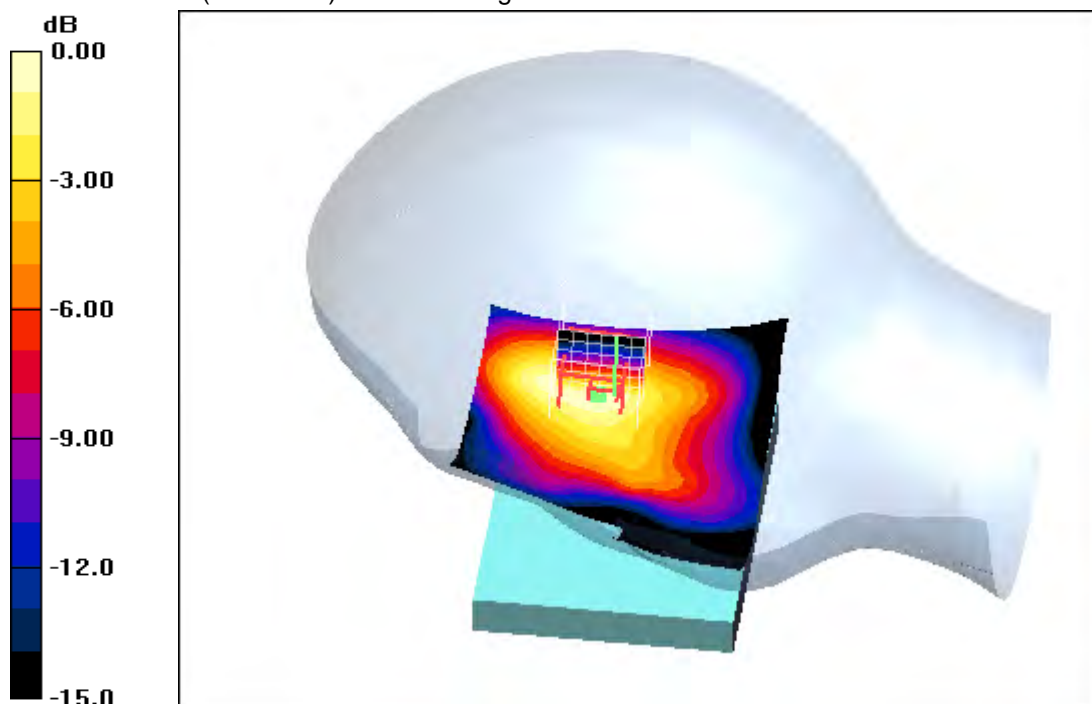
dx=5mm, dy=5mm, dz=5mm

Reference Value = 13.3 V/m; Power Drift = -0.01 dB

Peak SAR (extrapolated) = 0.518 W/kg

SAR(1 g) = 0.264 mW/g; SAR(10 g) = 0.143 mW/g

Maximum value of SAR (measured) = 0.283 mW/g



0 dB = 0.283mW/g

Additional information:

ambient temperature: 22.4 °C; liquid temperature: 22.2 °C

Date/Time: 06.04.2011 14:54:47 Date/Time: 06.04.2011 15:04:31 Date/Time: 06.04.2011 15:16:09

IEEE1528_OET65-RightHandSide-WLAN open

DUT: Sony Ericsson; Type: AAD-3880111-BV; Serial: CB5A1CHJZD

Communication System: WLAN 2450 US; Frequency: 2412 MHz; Duty Cycle: 1:1

Medium: HSL2450 Medium parameters used: $f = 2412 \text{ MHz}$; $\sigma = 1.85 \text{ mho/m}$; $\epsilon_r = 38.8$; $\rho = 1000 \text{ kg/m}^3$

Phantom section: Right Section

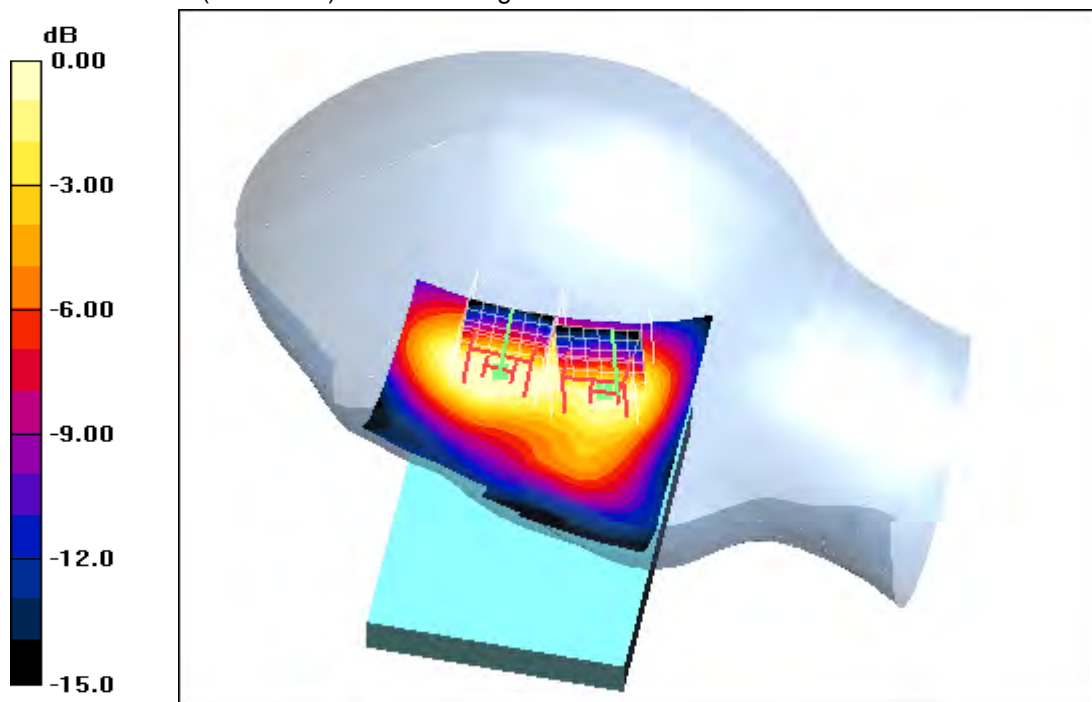
DASY4 Configuration:

- Probe: ET3DV6 - SN1558; ConvF(4.14, 4.14, 4.14); Calibrated: 11.08.2010
- Sensor-Surface: 4mm (Mechanical And Optical Surface Detection)
- Electronics: DAE3 Sn413; Calibrated: 13.01.2011
- Phantom: SAM 12; Type: SAM; Serial: 1043
- Measurement SW: DASY4, V4.5 Build 19; Postprocessing SW: SEMCAD, V1.8 Build 146

Tilt position - Low/Area Scan (71x91x1): Measurement grid: $dx=15\text{mm}$, $dy=15\text{mm}$
 Maximum value of SAR (interpolated) = 0.170 mW/g

Tilt position - Low/Zoom Scan (7x7x7) (7x7x7)/Cube 0: Measurement grid: $dx=5\text{mm}$, $dy=5\text{mm}$, $dz=5\text{mm}$
 Reference Value = 9.78 V/m; Power Drift = 0.039 dB
 Peak SAR (extrapolated) = 0.302 W/kg
SAR(1 g) = 0.157 mW/g; SAR(10 g) = 0.083 mW/g
 Maximum value of SAR (measured) = 0.171 mW/g

Tilt position - Low/Zoom Scan (7x7x7) (7x7x7)/Cube 1: Measurement grid: $dx=5\text{mm}$, $dy=5\text{mm}$, $dz=5\text{mm}$
 Reference Value = 9.78 V/m; Power Drift = 0.039 dB
 Peak SAR (extrapolated) = 0.189 W/kg
SAR(1 g) = 0.103 mW/g; SAR(10 g) = 0.057 mW/g
 Maximum value of SAR (measured) = 0.113 mW/g



0 dB = 0.113mW/g

Additional information:

ambient temperature: 22.9 °C; liquid temperature: 22.4 °C

Date/Time: 06.04.2011 16:25:16 Date/Time: 06.04.2011 16:33:28

IEEE1528_OET65-RightHandSide-WLAN open

DUT: Sony Ericsson; Type: AAD-3880111-BV; Serial: CB5A1CHJZD

Communication System: WLAN 2450 US; Frequency: 2437 MHz; Duty Cycle: 1:1

Medium: HSL2450 Medium parameters used: $f = 2437$ MHz; $\sigma = 1.85$ mho/m; $\epsilon_r = 38.8$; $\rho = 1000$ kg/m³

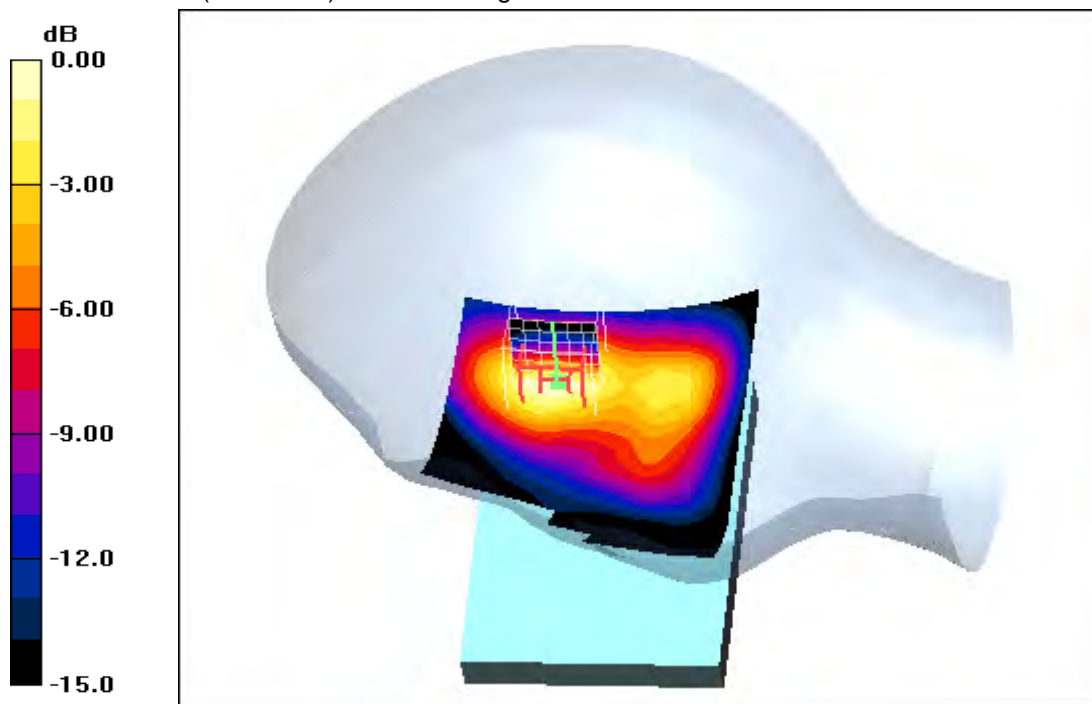
Phantom section: Right Section

DASY4 Configuration:

- Probe: ET3DV6 - SN1558; ConvF(4.14, 4.14, 4.14); Calibrated: 11.08.2010
- Sensor-Surface: 4mm (Mechanical And Optical Surface Detection)
- Electronics: DAE3 Sn413; Calibrated: 13.01.2011
- Phantom: SAM 12; Type: SAM; Serial: 1043
- Measurement SW: DASY4, V4.5 Build 19; Postprocessing SW: SEMCAD, V1.8 Build 146

Tilt position - Middle/Area Scan (71x91x1): Measurement grid: dx=15mm, dy=15mm
 Maximum value of SAR (interpolated) = 0.200 mW/g

Tilt position - Middle/Zoom Scan (7x7x7) (7x7x7)/Cube 0: Measurement grid:
 dx=5mm, dy=5mm, dz=5mm
 Reference Value = 10.3 V/m; Power Drift = 0.01 dB
 Peak SAR (extrapolated) = 0.352 W/kg
SAR(1 g) = 0.182 mW/g; SAR(10 g) = 0.096 mW/g
 Maximum value of SAR (measured) = 0.201 mW/g



0 dB = 0.201mW/g

Additional information:

ambient temperature: 23.1 °C; liquid temperature: 22.7 °C

Date/Time: 06.04.2011 18:21:07 Date/Time: 06.04.2011 18:29:25

IEEE1528_OET65-RightHandSide-WLAN open

DUT: Sony Ericsson; Type: AAD-3880111-BV; Serial: CB5A1CHJZD

Communication System: WLAN 2450 US; Frequency: 2462 MHz; Duty Cycle: 1:1

Medium: HSL2450 Medium parameters used (interpolated): $f = 2462$ MHz; $\sigma = 1.85$ mho/m; $\epsilon_r = 38.8$; $\rho = 1000$ kg/m³

Phantom section: Right Section

DASY4 Configuration:

- Probe: ET3DV6 - SN1558; ConvF(4.14, 4.14, 4.14); Calibrated: 11.08.2010
- Sensor-Surface: 4mm (Mechanical And Optical Surface Detection)
- Electronics: DAE3 Sn413; Calibrated: 13.01.2011
- Phantom: SAM 12; Type: SAM; Serial: 1043
- Measurement SW: DASY4, V4.5 Build 19; Postprocessing SW: SEMCAD, V1.8 Build 146

Tilt position - High/Area Scan (71x91x1): Measurement grid: dx=15mm, dy=15mm

Maximum value of SAR (interpolated) = 0.278 mW/g

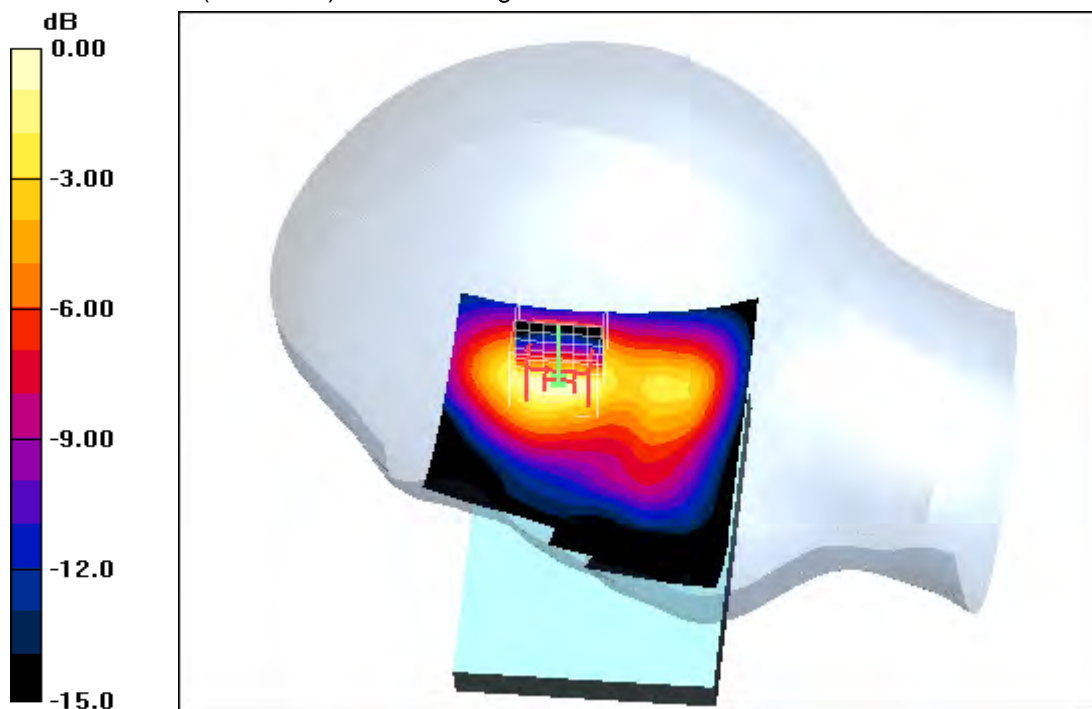
Tilt position - High/Zoom Scan (7x7x7) (7x7x7)/Cube 0: Measurement grid: dx=5mm, dy=5mm, dz=5mm

Reference Value = 12.4 V/m; Power Drift = 0.056 dB

Peak SAR (extrapolated) = 0.497 W/kg

SAR(1 g) = 0.254 mW/g; SAR(10 g) = 0.132 mW/g

Maximum value of SAR (measured) = 0.275 mW/g



0 dB = 0.275mW/g

Additional information:

ambient temperature: 23.2 °C; liquid temperature: 22.7 °C

Date/Time: 07.04.2011 11:49:16 Date/Time: 07.04.2011 11:57:33

IEEE1528_OET65-RightHandSide-WLAN open

DUT: Sony Ericsson; Type: AAD-3880111-BV; Serial: CB5A1CHJZD

Communication System: WLAN 2450 US; Frequency: 2462 MHz; Duty Cycle: 1:1

Medium: HSL2450 Medium parameters used (interpolated): $f = 2462$ MHz; $\sigma = 1.85$ mho/m; $\epsilon_r = 38.8$; $\rho = 1000$ kg/m³

Phantom section: Right Section

DASY4 Configuration:

- Probe: ET3DV6 - SN1558; ConvF(4.14, 4.14, 4.14); Calibrated: 11.08.2010
- Sensor-Surface: 4mm (Mechanical And Optical Surface Detection)
- Electronics: DAE3 Sn413; Calibrated: 13.01.2011
- Phantom: SAM 12; Type: SAM; Serial: 1043
- Measurement SW: DASY4, V4.5 Build 19; Postprocessing SW: SEMCAD, V1.8 Build 146

Touch position - High 6Mbps/Area Scan (71x91x1): Measurement grid: dx=15mm, dy=15mm

Maximum value of SAR (interpolated) = 0.271 mW/g

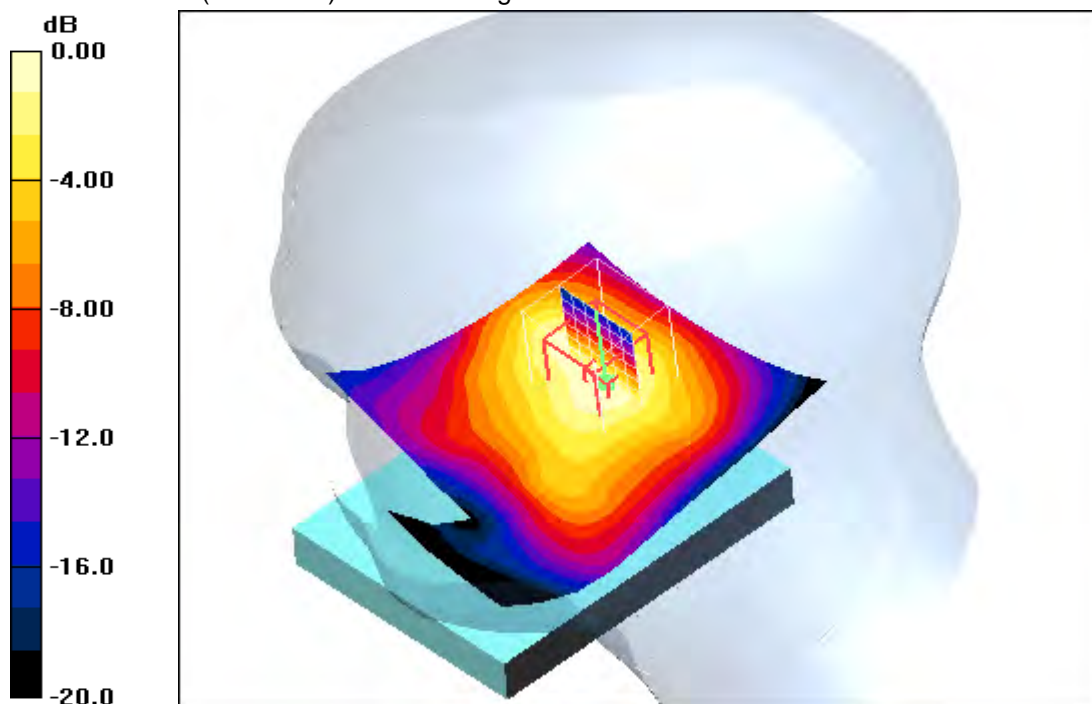
Touch position - High 6Mbps/Zoom Scan (7x7x7) (7x7x7)/Cube 0: Measurement grid: dx=5mm, dy=5mm, dz=5mm

Reference Value = 12.2 V/m; Power Drift = 0.076 dB

Peak SAR (extrapolated) = 0.453 W/kg

SAR(1 g) = 0.230 mW/g; SAR(10 g) = 0.123 mW/g

Maximum value of SAR (measured) = 0.250 mW/g



0 dB = 0.250mW/g

Additional information:

ambient temperature: 22.7°C; liquid temperature: 22.4°C

Date/Time: 07.04.2011 12:19:18 Date/Time: 07.04.2011 12:27:36

IEEE1528_OET65-RightHandSide-WLAN open

DUT: Sony Ericsson; Type: AAD-3880111-BV; Serial: CB5A1CHJZD

Communication System: WLAN 2450 US; Frequency: 2462 MHz; Duty Cycle: 1:1

Medium: HSL2450 Medium parameters used (interpolated): $f = 2462$ MHz; $\sigma = 1.85$ mho/m; $\epsilon_r = 38.8$; $\rho = 1000$ kg/m³

Phantom section: Right Section

DASY4 Configuration:

- Probe: ET3DV6 - SN1558; ConvF(4.14, 4.14, 4.14); Calibrated: 11.08.2010
- Sensor-Surface: 4mm (Mechanical And Optical Surface Detection)
- Electronics: DAE3 Sn413; Calibrated: 13.01.2011
- Phantom: SAM 12; Type: SAM; Serial: 1043
- Measurement SW: DASY4, V4.5 Build 19; Postprocessing SW: SEMCAD, V1.8 Build 146

Touch position - High 6.5Mbps/Area Scan (71x91x1): Measurement grid: dx=15mm, dy=15mm

Maximum value of SAR (interpolated) = 0.265 mW/g

Touch position - High 6.5Mbps/Zoom Scan (7x7x7) (7x7x7)/Cube 0:

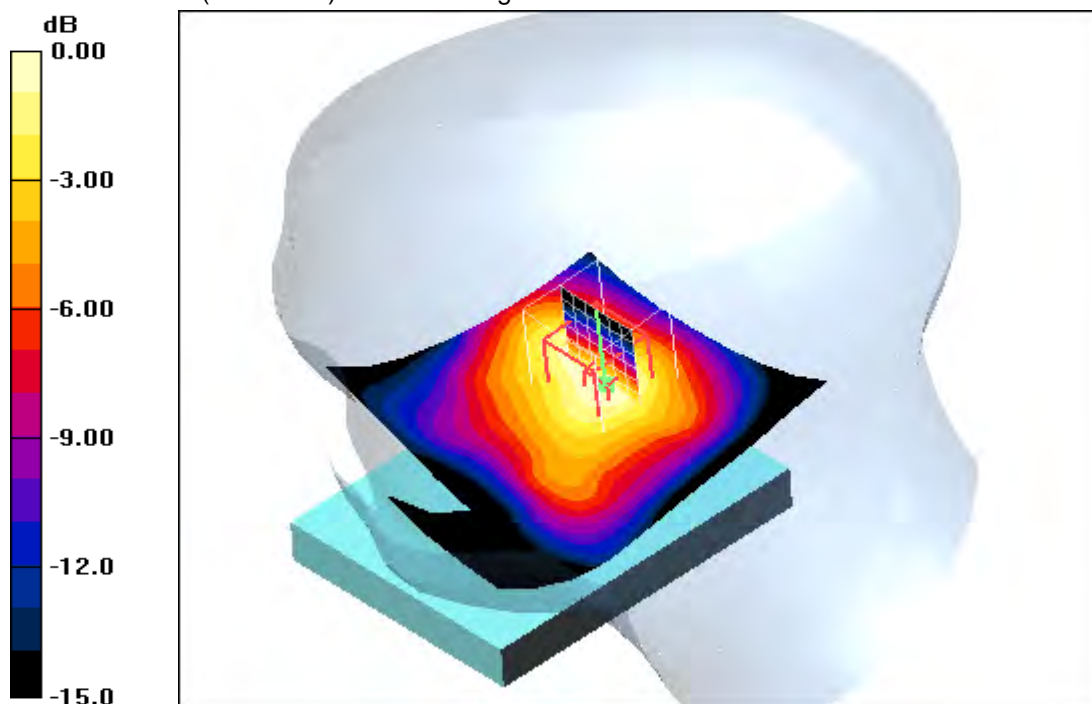
Measurement grid: dx=5mm, dy=5mm, dz=5mm

Reference Value = 12.0 V/m; Power Drift = 0.070 dB

Peak SAR (extrapolated) = 0.448 W/kg

SAR(1 g) = 0.228 mW/g; SAR(10 g) = 0.123 mW/g

Maximum value of SAR (measured) = 0.249 mW/g



0 dB = 0.249mW/g

Additional information:

ambient temperature: 22.7°C; liquid temperature: 22.4°C

Annex B.10: WLAN 2450MHz body

Date/Time: 09.04.2011 18:39:58 Date/Time: 09.04.2011 18:46:21 Date/Time: 09.04.2011 18:57:48

IEEE1528_OET65_EN62209-2-Body-WLAN

DUT: Sony Ericsson; Type: AAD-3880111-BV; Serial: CB5A1CHJZD

Communication System: WLAN 2450 US; Frequency: 2412 MHz; Duty Cycle: 1:1

Medium: M2450 Medium parameters used (interpolated): $f = 2412 \text{ MHz}$; $\sigma = 1.97 \text{ mho/m}$; $\epsilon_r = 51.7$; $\rho = 1000 \text{ kg/m}^3$

Phantom section: Flat Section

DASY4 Configuration:

- Probe: ET3DV6 - SN1558; ConvF(4.03, 4.03, 4.03); Calibrated: 11.08.2010
- Sensor-Surface: 4mm (Mechanical And Optical Surface Detection)
- Electronics: DAE3 Sn413; Calibrated: 13.01.2011
- Phantom: SAM 12; Type: SAM; Serial: 1043
- Measurement SW: DASY4, V4.5 Build 19; Postprocessing SW: SEMCAD, V1.8 Build 146

Front position - Low/Area Scan (51x91x1): Measurement grid: $dx=15\text{mm}$, $dy=15\text{mm}$

Maximum value of SAR (interpolated) = 0.047 mW/g

Front position - Low/Zoom Scan (7x7x7) (7x7x7)/Cube 0: Measurement grid:

$dx=5\text{mm}$, $dy=5\text{mm}$, $dz=5\text{mm}$

Reference Value = 4.78 V/m; Power Drift = -0.054 dB

Peak SAR (extrapolated) = 0.078 W/kg

SAR(1 g) = 0.040 mW/g; SAR(10 g) = 0.023 mW/g

Maximum value of SAR (measured) = 0.043 mW/g

Front position - Low/Zoom Scan (7x7x7) (7x7x7)/Cube 1: Measurement grid:

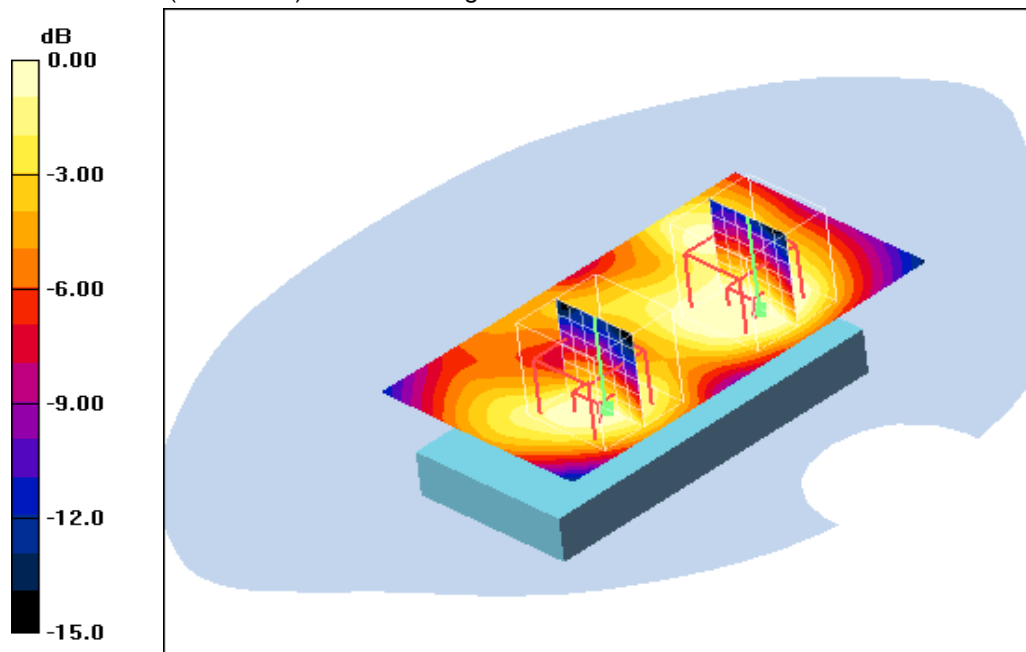
$dx=5\text{mm}$, $dy=5\text{mm}$, $dz=5\text{mm}$

Reference Value = 4.78 V/m; Power Drift = -0.054 dB

Peak SAR (extrapolated) = 0.058 W/kg

SAR(1 g) = 0.029 mW/g; SAR(10 g) = 0.017 mW/g

Maximum value of SAR (measured) = 0.032 mW/g



0 dB = 0.032mW/g

Additional information:

position or distance of DUT to SAM: 10 mm

ambient temperature: 21.6°C; liquid temperature: 22.1°C

Date/Time: 09.04.2011 20:49:09 Date/Time: 09.04.2011 20:55:39 Date/Time: 09.04.2011 21:18:32

IEEE1528_OET65_EN62209-2-Body-WLAN

DUT: Sony Ericsson; Type: AAD-3880111-BV; Serial: CB5A1CHJZD

Communication System: WLAN 2450 US; Frequency: 2437 MHz; Duty Cycle: 1:1

Medium: M2450 Medium parameters used (interpolated): $f = 2437$ MHz; $\sigma = 1.97$ mho/m; $\epsilon_r = 51.7$; $\rho = 1000$ kg/m³

Phantom section: Flat Section

DASY4 Configuration:

- Probe: ET3DV6 - SN1558; ConvF(4.03, 4.03, 4.03); Calibrated: 11.08.2010

- Sensor-Surface: 4mm (Mechanical And Optical Surface Detection)

- Electronics: DAE3 Sn413; Calibrated: 13.01.2011

- Phantom: SAM 12; Type: SAM; Serial: 1043

- Measurement SW: DASY4, V4.5 Build 19; Postprocessing SW: SEMCAD, V1.8 Build 146

Front position - Middle/Area Scan (51x91x1): Measurement grid: dx=15mm, dy=15mm

Maximum value of SAR (interpolated) = 0.049 mW/g

Front position - Middle/Zoom Scan (7x7x7) (7x7x7)/Cube 0: Measurement grid:

dx=5mm, dy=5mm, dz=5mm

Reference Value = 4.82 V/m; Power Drift = 0.064 dB

Peak SAR (extrapolated) = 0.088 W/kg

SAR(1 g) = 0.044 mW/g; SAR(10 g) = 0.024 mW/g

Maximum value of SAR (measured) = 0.046 mW/g

Front position - Middle/Zoom Scan (7x7x7) (7x7x7)/Cube 1: Measurement grid:

dx=5mm, dy=5mm, dz=5mm

Reference Value = 4.82 V/m; Power Drift = 0.064 dB

Peak SAR (extrapolated) = 0.069 W/kg

SAR(1 g) = 0.030 mW/g; SAR(10 g) = 0.016 mW/g

Maximum value of SAR (measured) = 0.032 mW/g

Front position - Middle/Zoom Scan (7x7x7) (7x7x7)/Cube 2: Measurement grid:

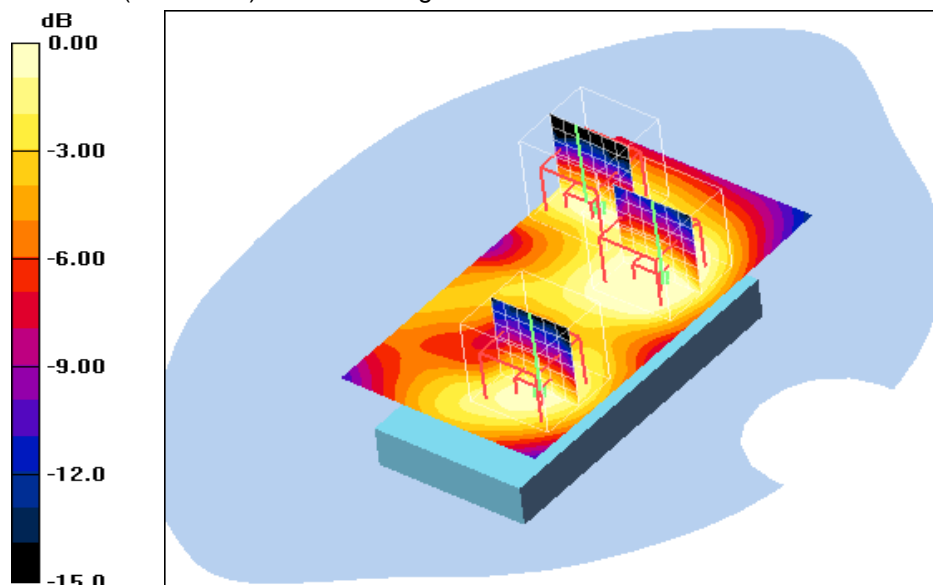
dx=5mm, dy=5mm, dz=5mm

Reference Value = 4.82 V/m; Power Drift = 0.064 dB

Peak SAR (extrapolated) = 0.053 W/kg

SAR(1 g) = 0.029 mW/g; SAR(10 g) = 0.016 mW/g

Maximum value of SAR (measured) = 0.031 mW/g



Additional information:

position or distance of DUT to SAM: 10 mm

ambient temperature: 21.6°C; liquid temperature: 21.4°C

Date/Time: 09.04.2011 19:47:38 Date/Time: 09.04.2011 19:54:05 Date/Time: 09.04.2011 20:05:27

IEEE1528_OET65_EN62209-2-Body-WLAN

DUT: Sony Ericsson; Type: AAD-3880111-BV; Serial: CB5A1CHJZD

Communication System: WLAN 2450 US; Frequency: 2462 MHz; Duty Cycle: 1:1

Medium: M2450 Medium parameters used (interpolated): $f = 2462$ MHz; $\sigma = 1.97$ mho/m; $\epsilon_r = 51.7$; $\rho = 1000$ kg/m³

Phantom section: Flat Section

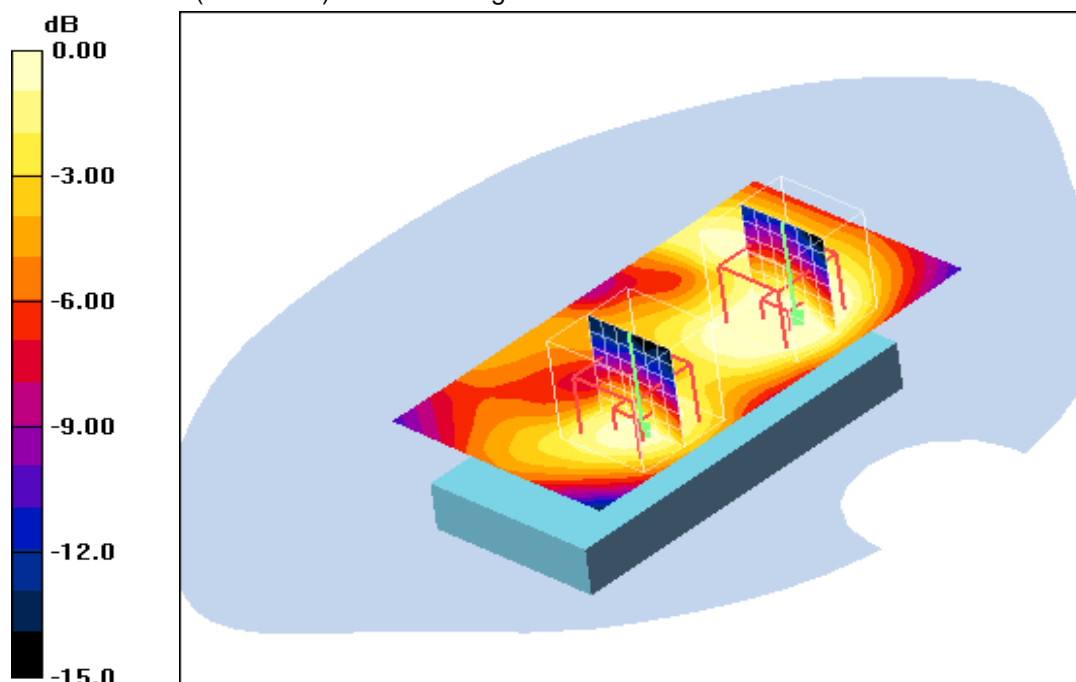
DASY4 Configuration:

- Probe: ET3DV6 - SN1558; ConvF(4.03, 4.03, 4.03); Calibrated: 11.08.2010
- Sensor-Surface: 4mm (Mechanical And Optical Surface Detection)
- Electronics: DAE3 Sn413; Calibrated: 13.01.2011
- Phantom: SAM 12; Type: SAM; Serial: 1043
- Measurement SW: DASY4, V4.5 Build 19; Postprocessing SW: SEMCAD, V1.8 Build 146

Front position - High/Area Scan (51x91x1): Measurement grid: dx=15mm, dy=15mm
 Maximum value of SAR (interpolated) = 0.063 mW/g

Front position - High/Zoom Scan (7x7x7) (7x7x7)/Cube 0: Measurement grid:
 dx=5mm, dy=5mm, dz=5mm
 Reference Value = 5.43 V/m; Power Drift = -0.027 dB
 Peak SAR (extrapolated) = 0.109 W/kg
SAR(1 g) = 0.055 mW/g; SAR(10 g) = 0.031 mW/g
 Maximum value of SAR (measured) = 0.058 mW/g

Front position - High/Zoom Scan (7x7x7) (7x7x7)/Cube 1: Measurement grid:
 dx=5mm, dy=5mm, dz=5mm
 Reference Value = 5.43 V/m; Power Drift = -0.027 dB
 Peak SAR (extrapolated) = 0.072 W/kg
SAR(1 g) = 0.036 mW/g; SAR(10 g) = 0.020 mW/g
 Maximum value of SAR (measured) = 0.039 mW/g



0 dB = 0.039mW/g

Additional information:

position or distance of DUT to SAM: 10 mm

ambient temperature: 21.6°C; liquid temperature: 21.4°C

Date/Time: 09.04.2011 19:12:05 Date/Time: 09.04.2011 19:23:57

IEEE1528_OET65_EN62209-2-Body-WLAN

DUT: Sony Ericsson; Type: AAD-3880111-BV; Serial: CB5A1CHJZD

Communication System: WLAN 2450 US; Frequency: 2412 MHz; Duty Cycle: 1:1

Medium: M2450 Medium parameters used (interpolated): $f = 2412$ MHz; $\sigma = 1.97$ mho/m; $\epsilon_r = 51.7$; $\rho = 1000$ kg/m³

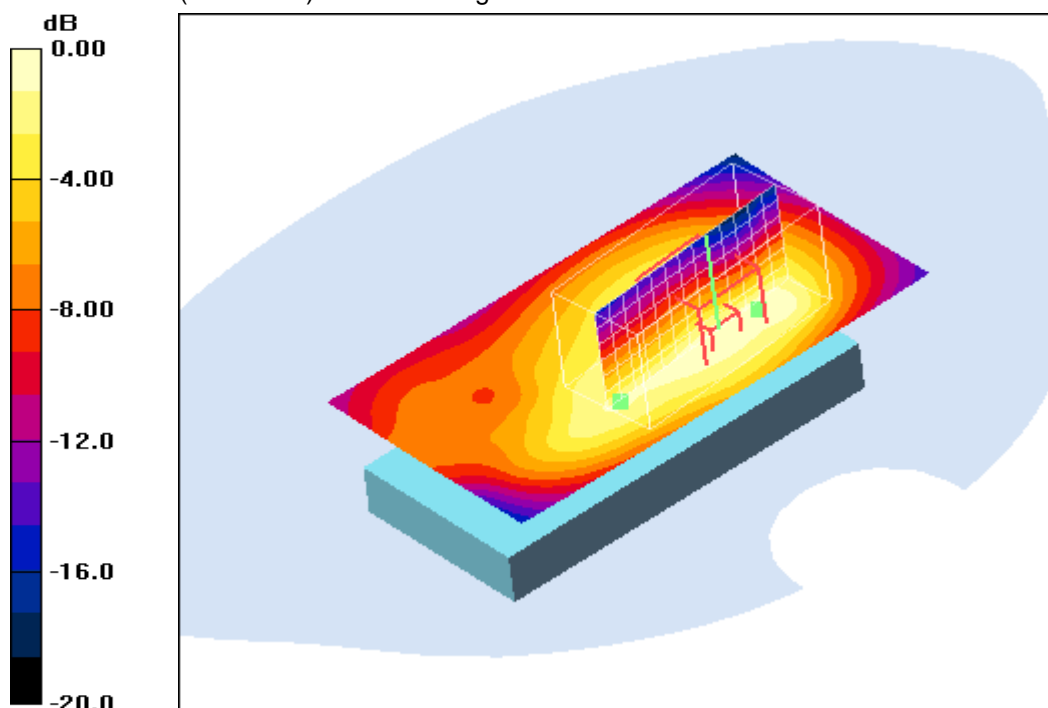
Phantom section: Flat Section

DASY4 Configuration:

- Probe: ET3DV6 - SN1558; ConvF(4.03, 4.03, 4.03); Calibrated: 11.08.2010
- Sensor-Surface: 4mm (Mechanical And Optical Surface Detection)
- Electronics: DAE3 Sn413; Calibrated: 13.01.2011
- Phantom: SAM 12; Type: SAM; Serial: 1043
- Measurement SW: DASY4, V4.5 Build 19; Postprocessing SW: SEMCAD, V1.8 Build 146

Rear position - Low/Area Scan (51x91x1): Measurement grid: dx=15mm, dy=15mm
Maximum value of SAR (interpolated) = 0.116 mW/g

Rear position - Low/Zoom Scan (7x7x7) (7x14x7)/Cube 0: Measurement grid:
dx=5mm, dy=5mm, dz=5mm
Reference Value = 7.79 V/m; Power Drift = 0.01 dB
Peak SAR (extrapolated) = 0.230 W/kg
SAR(1 g) = 0.110 mW/g; SAR(10 g) = 0.062 mW/g
Maximum value of SAR (measured) = 0.116 mW/g



0 dB = 0.116mW/g

Additional information:

position or distance of DUT to SAM: 10 mm
ambient temperature: 21.6°C; liquid temperature: 22.1°C

Date/Time: 09.04.2011 21:34:18 Date/Time: 09.04.2011 21:57:19

IEEE1528_OET65_EN62209-2-Body-WLAN

DUT: Sony Ericsson; Type: AAD-3880111-BV; Serial: CB5A1CHJZD

Communication System: WLAN 2450 US; Frequency: 2437 MHz; Duty Cycle: 1:1

Medium: M2450 Medium parameters used (interpolated): $f = 2437$ MHz; $\sigma = 1.97$ mho/m; $\epsilon_r = 51.7$; $\rho = 1000$ kg/m³

Phantom section: Flat Section

DASY4 Configuration:

- Probe: ET3DV6 - SN1558; ConvF(4.03, 4.03, 4.03); Calibrated: 11.08.2010
- Sensor-Surface: 4mm (Mechanical And Optical Surface Detection)
- Electronics: DAE3 Sn413; Calibrated: 13.01.2011
- Phantom: SAM 12; Type: SAM; Serial: 1043
- Measurement SW: DASY4, V4.5 Build 19; Postprocessing SW: SEMCAD, V1.8 Build 146

Rear position - Middle/Area Scan (51x91x1): Measurement grid: dx=15mm, dy=15mm
Maximum value of SAR (interpolated) = 0.136 mW/g

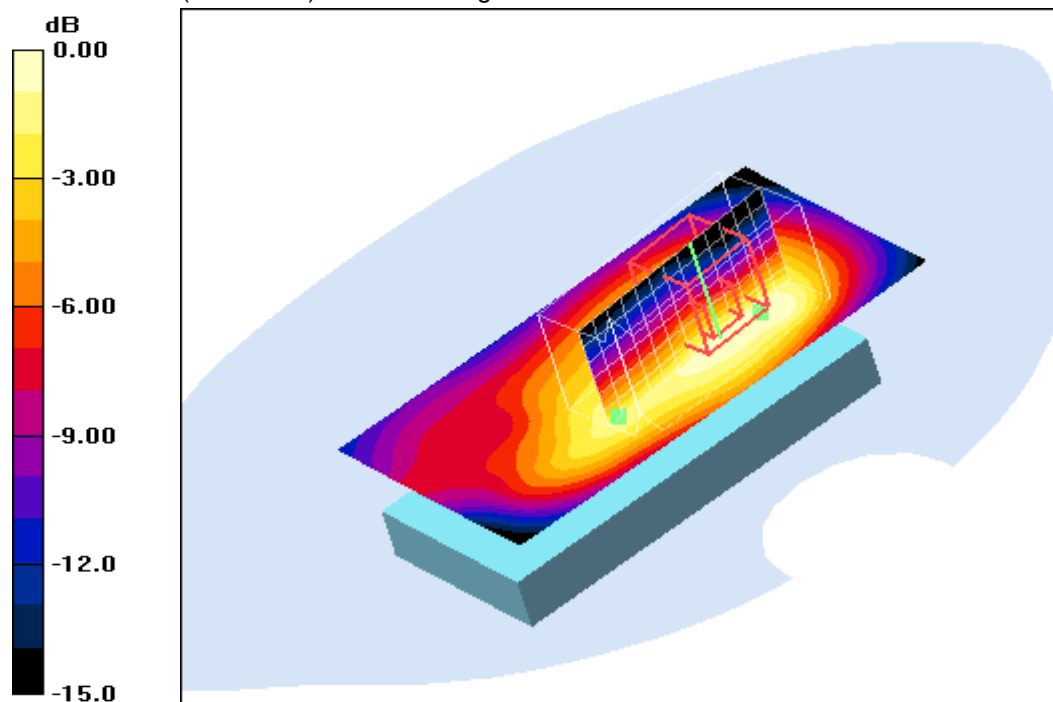
Rear position - Middle/Zoom Scan (7x7x7) (7x14x7)/Cube 0: Measurement grid:
dx=5mm, dy=5mm, dz=5mm

Reference Value = 8.29 V/m; Power Drift = -0.028 dB

Peak SAR (extrapolated) = 0.260 W/kg

SAR(1 g) = 0.122 mW/g; SAR(10 g) = 0.068 mW/g

Maximum value of SAR (measured) = 0.130 mW/g



0 dB = 0.130mW/g

Additional information:

position or distance of DUT to SAM: 10 mm

ambient temperature: 23.2°C; liquid temperature: 21.4°C

Date/Time: 09.04.2011 20:21:20 Date/Time: 09.04.2011 20:27:44

IEEE1528_OET65_EN62209-2-Body-WLAN

DUT: Sony Ericsson; Type: AAD-3880111-BV; Serial: CB5A1CHJZD

Communication System: WLAN 2450 US; Frequency: 2462 MHz; Duty Cycle: 1:1

Medium: M2450 Medium parameters used (interpolated): $f = 2462$ MHz; $\sigma = 1.97$ mho/m; $\epsilon_r = 51.7$; $\rho = 1000$ kg/m³

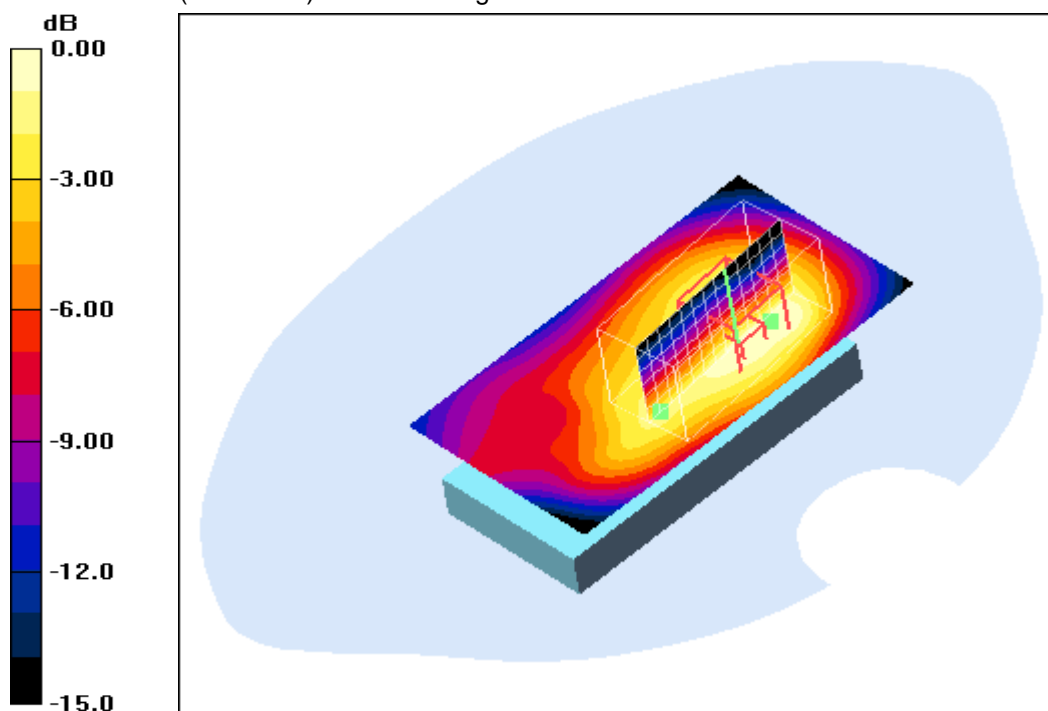
Phantom section: Flat Section

DASY4 Configuration:

- Probe: ET3DV6 - SN1558; ConvF(4.03, 4.03, 4.03); Calibrated: 11.08.2010
- Sensor-Surface: 4mm (Mechanical And Optical Surface Detection)
- Electronics: DAE3 Sn413; Calibrated: 13.01.2011
- Phantom: SAM 12; Type: SAM; Serial: 1043
- Measurement SW: DASY4, V4.5 Build 19; Postprocessing SW: SEMCAD, V1.8 Build 146

Rear position - High/Area Scan (51x91x1): Measurement grid: dx=15mm, dy=15mm
 Maximum value of SAR (interpolated) = 0.165 mW/g

Rear position - High/Zoom Scan (7x7x7) (7x14x7)/Cube 0: Measurement grid:
 dx=5mm, dy=5mm, dz=5mm
 Reference Value = 9.16 V/m; Power Drift = 0.010 dB
 Peak SAR (extrapolated) = 0.325 W/kg
SAR(1 g) = 0.148 mW/g; SAR(10 g) = 0.082 mW/g
 Maximum value of SAR (measured) = 0.154 mW/g



0 dB = 0.154mW/g

Additional information:

position or distance of DUT to SAM: 10 mm
 ambient temperature: 21.6°C; liquid temperature: 21.4°C

Date/Time: 09.04.2011 22:17:10 Date/Time: 09.04.2011 22:23:43 Date/Time: 09.04.2011 22:35:05

IEEE1528_OET65_EN62209-2-Body-WLAN

DUT: Sony Ericsson; Type: AAD-3880111-BV; Serial: CB5A1CHJZD

Communication System: WLAN 2450 US; Frequency: 2437 MHz; Duty Cycle: 1:1

Medium: M2450 Medium parameters used (interpolated): $f = 2437$ MHz; $\sigma = 1.97$ mho/m; $\epsilon_r = 51.7$; $\rho = 1000$ kg/m³

Phantom section: Flat Section

DASY4 Configuration:

- Probe: ET3DV6 - SN1558; ConvF(4.03, 4.03, 4.03); Calibrated: 11.08.2010
- Sensor-Surface: 4mm (Mechanical And Optical Surface Detection)
- Electronics: DAE3 Sn413; Calibrated: 13.01.2011
- Phantom: SAM 12; Type: SAM; Serial: 1043
- Measurement SW: DASY4, V4.5 Build 19; Postprocessing SW: SEMCAD, V1.8 Build 146

Edge left position - Middle/Area Scan (51x91x1): Measurement grid: dx=15mm, dy=15mm

Maximum value of SAR (interpolated) = 0.117 mW/g

Edge left position - Middle/Zoom Scan (7x7x7) (7x7x7)/Cube 0: Measurement grid: dx=5mm, dy=5mm, dz=5mm

Reference Value = 7.45 V/m; Power Drift = -0.027 dB

Peak SAR (extrapolated) = 0.234 W/kg

SAR(1 g) = 0.103 mW/g; SAR(10 g) = 0.052 mW/g

Maximum value of SAR (measured) = 0.111 mW/g

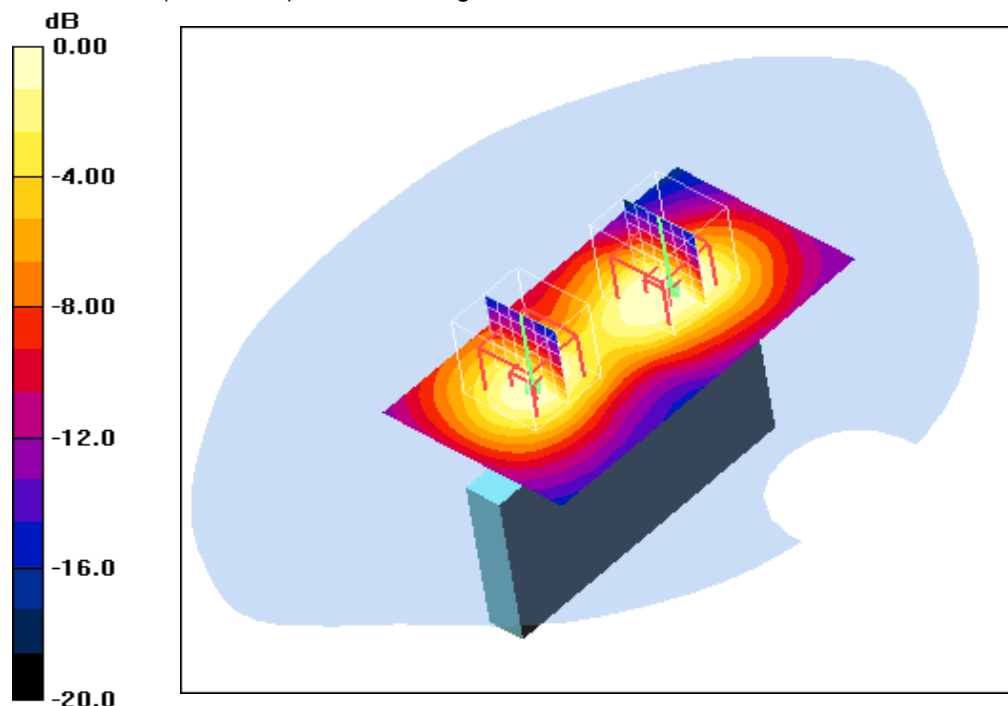
Edge left position - Middle/Zoom Scan (7x7x7) (7x7x7)/Cube 1: Measurement grid: dx=5mm, dy=5mm, dz=5mm

Reference Value = 7.45 V/m; Power Drift = -0.027 dB

Peak SAR (extrapolated) = 0.172 W/kg

SAR(1 g) = 0.083 mW/g; SAR(10 g) = 0.044 mW/g

Maximum value of SAR (measured) = 0.090 mW/g



0 dB = 0.090mW/g

Additional information:

position or distance of DUT to SAM: 10 mm

ambient temperature: 23.2°C; liquid temperature: 22.1°C

Date/Time: 11.04.2011 08:31:57 Date/Time: 11.04.2011 08:38:59 Date/Time: 11.04.2011 08:50:24

IEEE1528_OET65_EN62209-2-Body-WLAN**DUT: Sony Ericsson; Type: AAD-3880111-BV; Serial: CB5A1CHJZD**

Communication System: WLAN 2450 US; Frequency: 2437 MHz; Duty Cycle: 1:1

Medium: M2450 Medium parameters used (interpolated): $f = 2437$ MHz; $\sigma = 1.97$ mho/m; $\epsilon_r = 51.7$; $\rho = 1000$ kg/m³

Phantom section: Flat Section

DASY4 Configuration:

- Probe: ET3DV6 - SN1558; ConvF(4.03, 4.03, 4.03); Calibrated: 11.08.2010

- Sensor-Surface: 4mm (Mechanical And Optical Surface Detection)

- Electronics: DAE3 Sn413; Calibrated: 13.01.2011

- Phantom: SAM 12; Type: SAM; Serial: 1043

- Measurement SW: DASY4, V4.5 Build 19; Postprocessing SW: SEMCAD, V1.8 Build 146

Edge right position - Middle/Area Scan (51x91x1): Measurement grid: dx=15mm, dy=15mm

Maximum value of SAR (interpolated) = 0.022 mW/g

Edge right position - Middle/Zoom Scan (7x7x7) (7x7x7)/Cube 0: Measurement grid: dx=5mm, dy=5mm, dz=5mm

Reference Value = 3.31 V/m; Power Drift = -0.011 dB

Peak SAR (extrapolated) = 0.043 W/kg

SAR(1 g) = 0.020 mW/g; SAR(10 g) = 0.011 mW/g

Maximum value of SAR (measured) = 0.021 mW/g

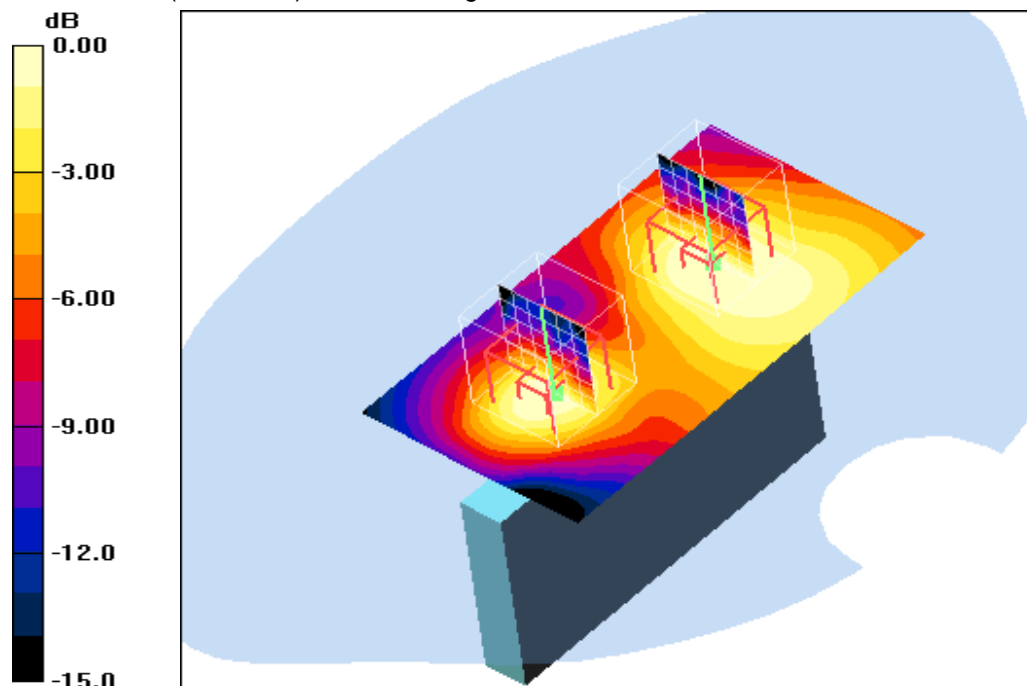
Edge right position - Middle/Zoom Scan (7x7x7) (7x7x7)/Cube 1: Measurement grid: dx=5mm, dy=5mm, dz=5mm

Reference Value = 3.31 V/m; Power Drift = -0.011 dB

Peak SAR (extrapolated) = 0.038 W/kg

SAR(1 g) = 0.018 mW/g; SAR(10 g) = 0.00946 mW/g

Maximum value of SAR (measured) = 0.019 mW/g



0 dB = 0.019mW/g

Additional information:

position or distance of DUT to SAM: 10 mm

ambient temperature: 22.5°C; liquid temperature: 22.2°C

Date/Time: 11.04.2011 09:06:17 Date/Time: 11.04.2011 09:12:24

IEEE1528_OET65_EN62209-2-Body-WLAN**DUT: Sony Ericsson; Type: AAD-3880111-BV; Serial: CB5A1CHJZD**

Communication System: WLAN 2450 US; Frequency: 2437 MHz; Duty Cycle: 1:1

Medium: M2450 Medium parameters used (interpolated): $f = 2437$ MHz; $\sigma = 1.97$ mho/m; $\epsilon_r = 51.7$; $\rho = 1000$ kg/m³

Phantom section: Flat Section

DASY4 Configuration:

- Probe: ET3DV6 - SN1558; ConvF(4.03, 4.03, 4.03); Calibrated: 11.08.2010

- Sensor-Surface: 4mm (Mechanical And Optical Surface Detection)

- Electronics: DAE3 Sn413; Calibrated: 13.01.2011

- Phantom: SAM 12; Type: SAM; Serial: 1043

- Measurement SW: DASY4, V4.5 Build 19; Postprocessing SW: SEMCAD, V1.8 Build 146

Edge top position - Middle/Area Scan (61x61x1): Measurement grid: dx=15mm, dy=15mm

Maximum value of SAR (interpolated) = 0.028 mW/g

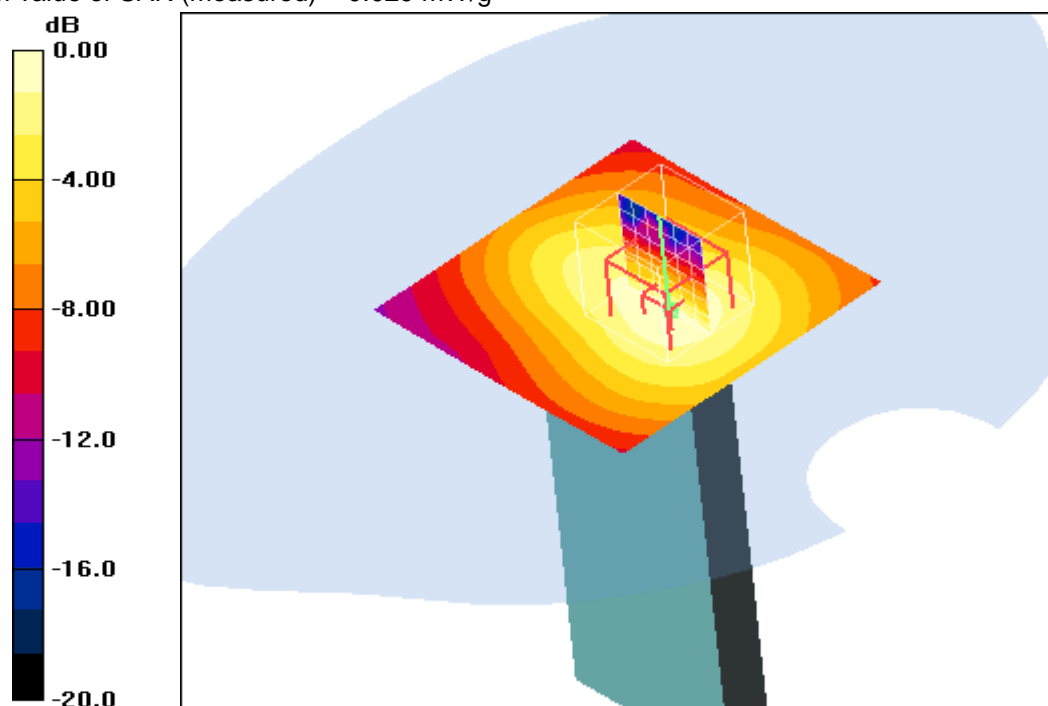
Edge top position - Middle/Zoom Scan (7x7x7) (7x7x7)/Cube 0: Measurement grid: dx=5mm, dy=5mm, dz=5mm

Reference Value = 3.96 V/m; Power Drift = -0.011 dB

Peak SAR (extrapolated) = 0.050 W/kg

SAR(1 g) = 0.027 mW/g; SAR(10 g) = 0.015 mW/g

Maximum value of SAR (measured) = 0.029 mW/g



0 dB = 0.029mW/g

Additional information:

position or distance of DUT to SAM: 10 mm

ambient temperature: 22.5°C; liquid temperature: 22.2°C

Date/Time: 11.04.2011 10:23:33 Date/Time: 11.04.2011 10:33:07

IEEE1528_OET65_EN62209-2-Body-WLAN

DUT: Sony Ericsson; Type: AAD-3880111-BV; Serial: CB5A1CHJZD

Communication System: WLAN 2450 US; Frequency: 2462 MHz; Duty Cycle: 1:1

Medium: M2450 Medium parameters used (interpolated): $f = 2462$ MHz; $\sigma = 1.97$ mho/m; $\epsilon_r = 51.7$; $\rho = 1000$ kg/m³

Phantom section: Flat Section

DASY4 Configuration:

- Probe: ET3DV6 - SN1558; ConvF(4.03, 4.03, 4.03); Calibrated: 11.08.2010
- Sensor-Surface: 4mm (Mechanical And Optical Surface Detection)
- Electronics: DAE3 Sn413; Calibrated: 13.01.2011
- Phantom: SAM 12; Type: SAM; Serial: 1043
- Measurement SW: DASY4, V4.5 Build 19; Postprocessing SW: SEMCAD, V1.8 Build 146

Rear position - High 6Mbps/Area Scan (51x91x1): Measurement grid: dx=15mm, dy=15mm

Maximum value of SAR (interpolated) = 0.126 mW/g

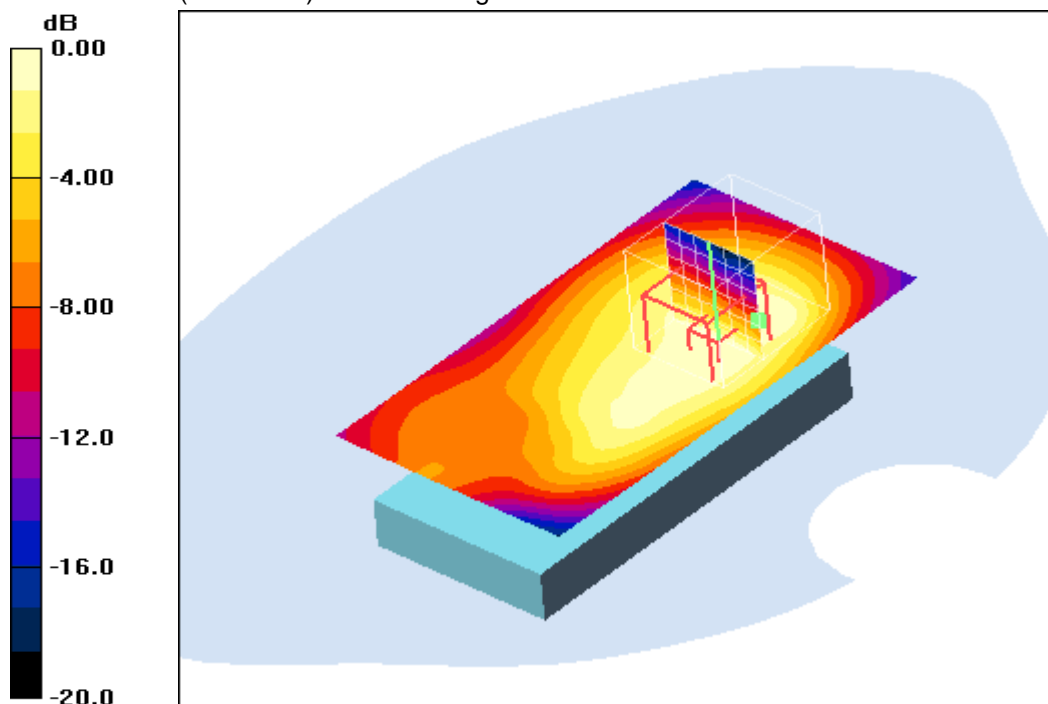
Rear position - High 6Mbps/Zoom Scan (7x7x7) (7x9x7)/Cube 0: Measurement grid: dx=5mm, dy=5mm, dz=5mm

Reference Value = 7.86 V/m; Power Drift = -0.032 dB

Peak SAR (extrapolated) = 0.238 W/kg

SAR(1 g) = 0.109 mW/g; SAR(10 g) = 0.061 mW/g

Maximum value of SAR (measured) = 0.114 mW/g



0 dB = 0.114mW/g

Additional information:

position or distance of DUT to SAM: 10 mm

ambient temperature: 22.5°C; liquid temperature: 22.2°C

Date/Time: 11.04.2011 10:55:15 Date/Time: 11.04.2011 11:02:43

IEEE1528_OET65_EN62209-2-Body-WLAN

DUT: Sony Ericsson; Type: AAD-3880111-BV; Serial: CB5A1CHJZD

Communication System: WLAN 2450 US; Frequency: 2462 MHz; Duty Cycle: 1:1

Medium: M2450 Medium parameters used (interpolated): $f = 2462$ MHz; $\sigma = 1.97$ mho/m; $\epsilon_r = 51.7$; $\rho = 1000$ kg/m³

Phantom section: Flat Section

DASY4 Configuration:

- Probe: ET3DV6 - SN1558; ConvF(4.03, 4.03, 4.03); Calibrated: 11.08.2010
- Sensor-Surface: 4mm (Mechanical And Optical Surface Detection)
- Electronics: DAE3 Sn413; Calibrated: 13.01.2011
- Phantom: SAM 12; Type: SAM; Serial: 1043
- Measurement SW: DASY4, V4.5 Build 19; Postprocessing SW: SEMCAD, V1.8 Build 146

Rear position - High 6.5Mbps/Area Scan (51x91x1): Measurement grid: dx=15mm, dy=15mm

Maximum value of SAR (interpolated) = 0.125 mW/g

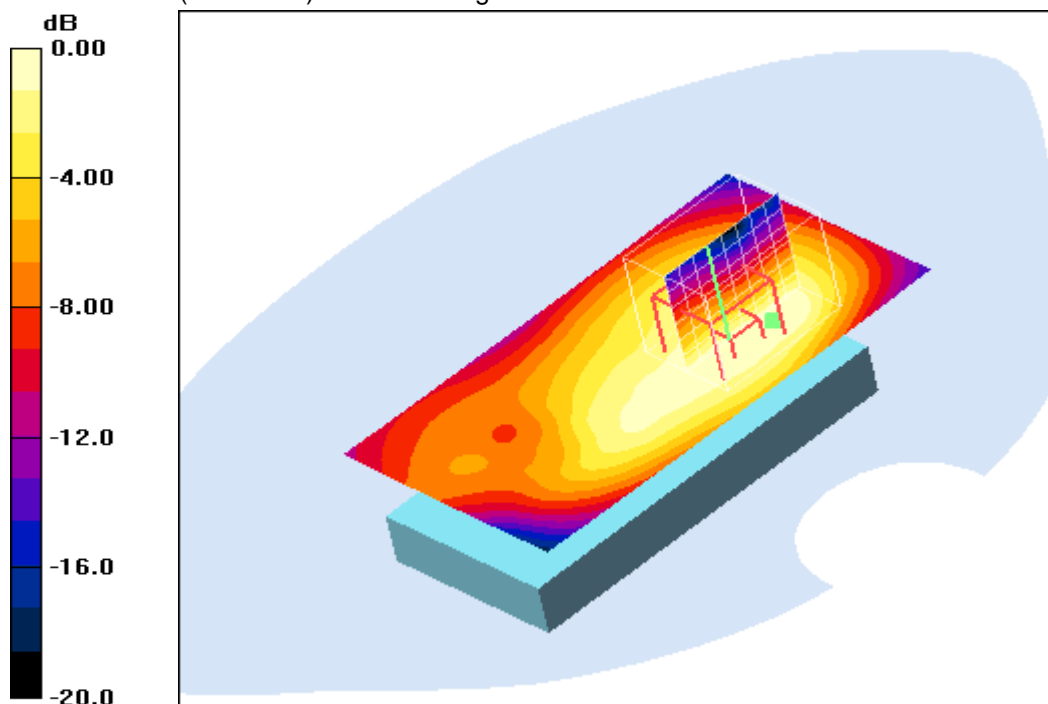
Rear position - High 6.5Mbps/Zoom Scan (7x7x7) (7x9x7)/Cube 0: Measurement grid: dx=5mm, dy=5mm, dz=5mm

Reference Value = 7.69 V/m; Power Drift = 0.053 dB

Peak SAR (extrapolated) = 0.237 W/kg

SAR(1 g) = 0.108 mW/g; SAR(10 g) = 0.060 mW/g

Maximum value of SAR (measured) = 0.113 mW/g



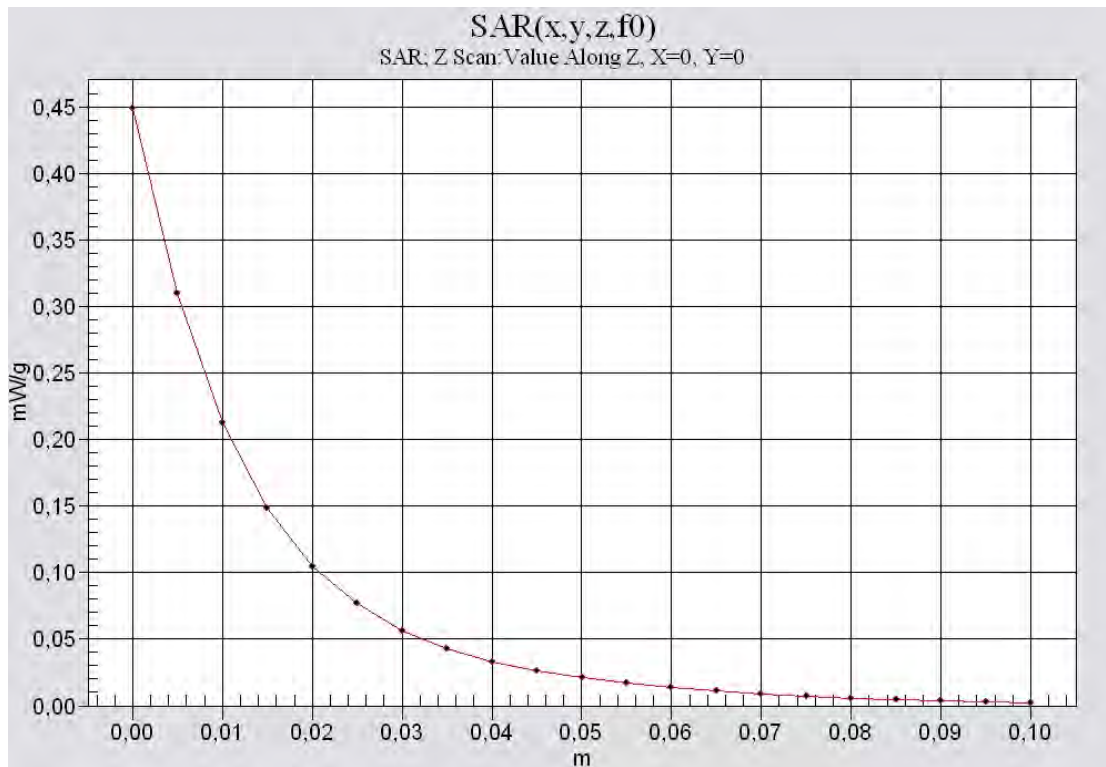
0 dB = 0.113mW/g

Additional information:

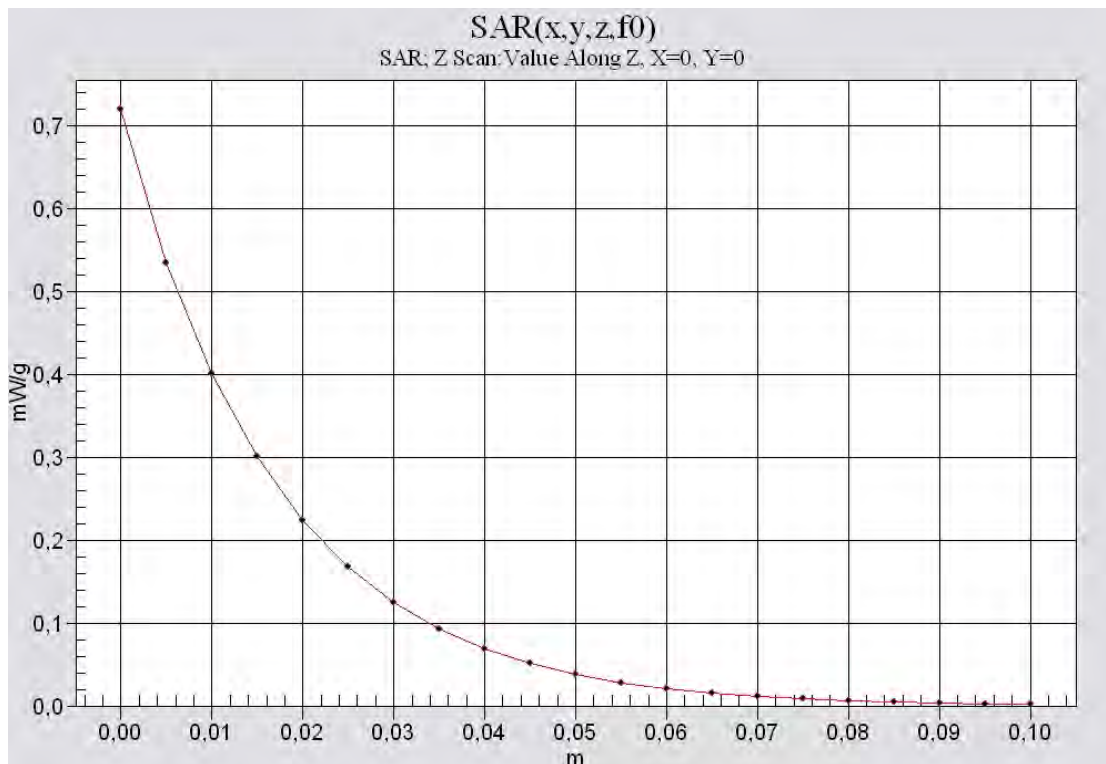
position or distance of DUT to SAM: 10 mm

ambient temperature: 22.5°C; liquid temperature: 22.2°C

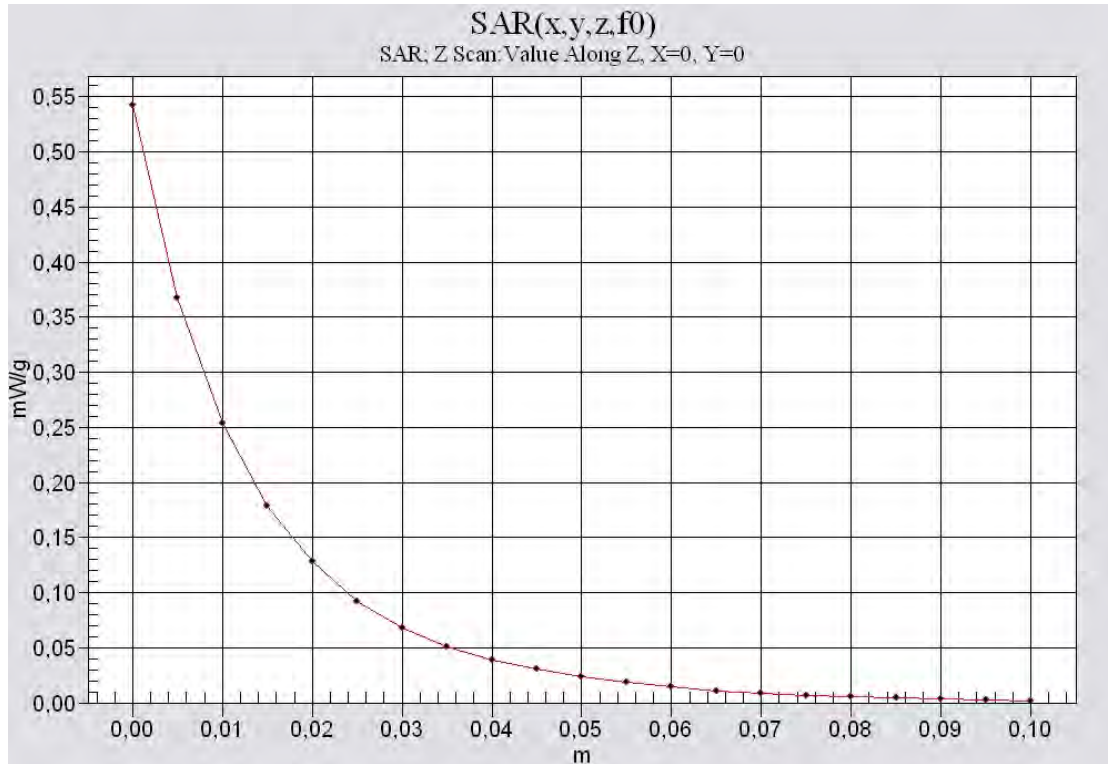
Annex B.11: Z-axis scan



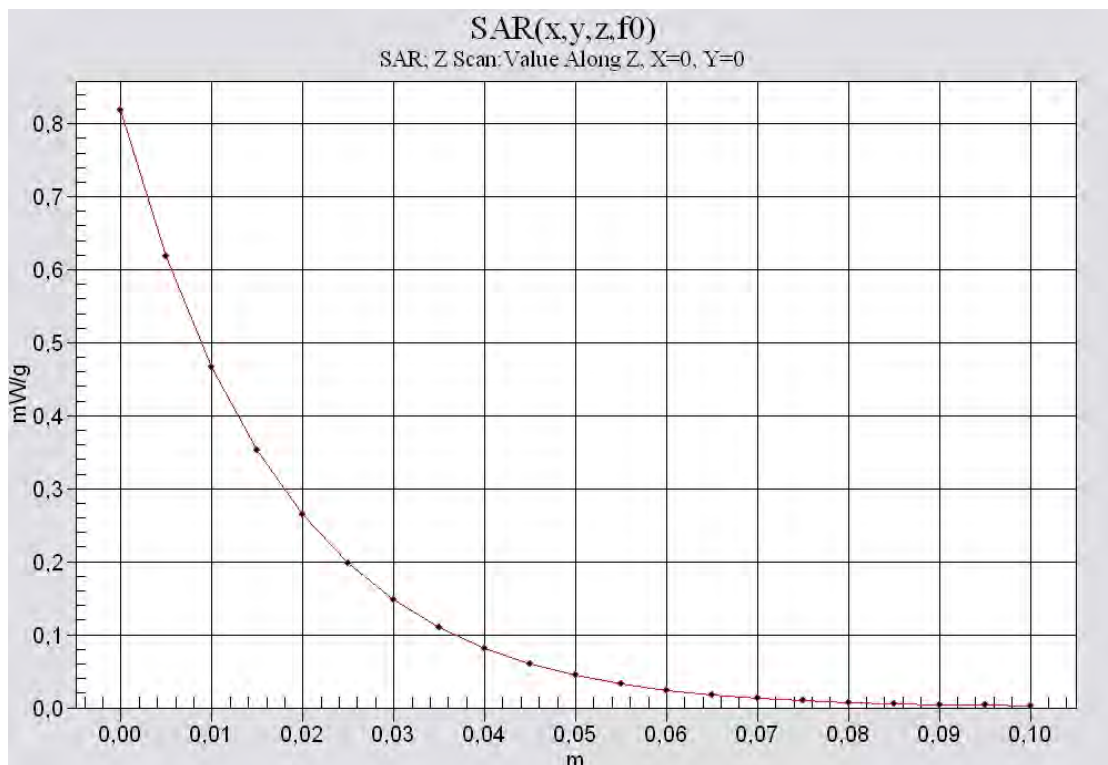
850 head



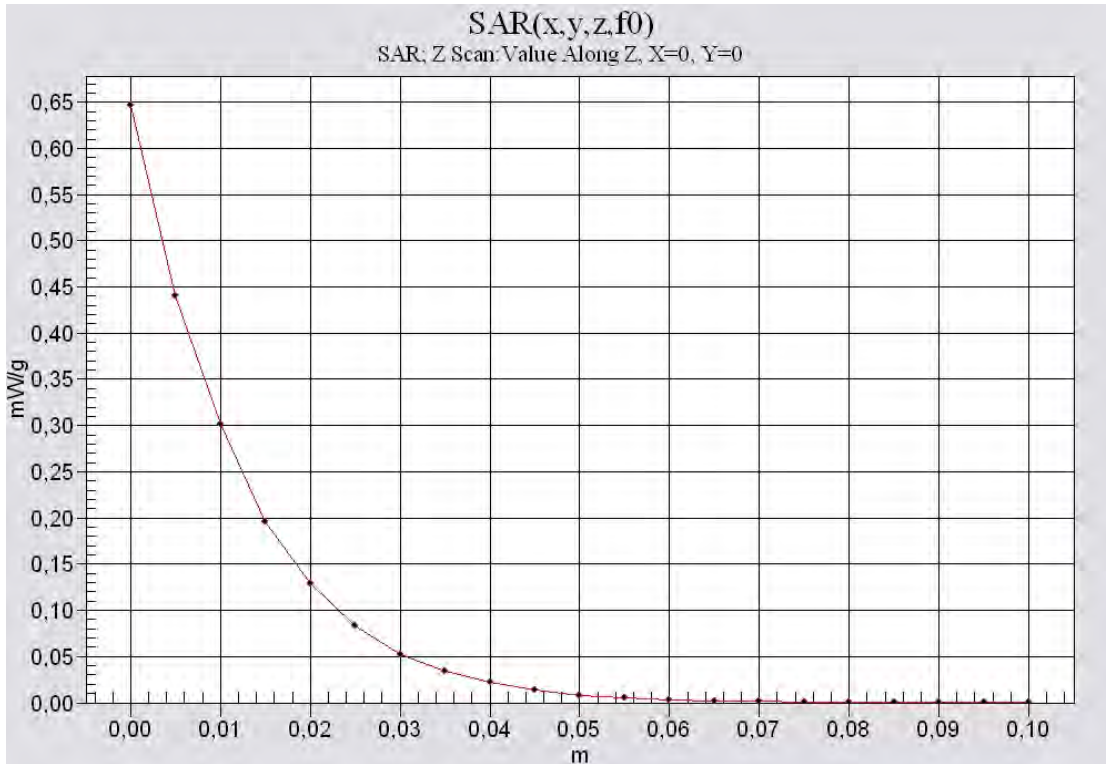
850 body



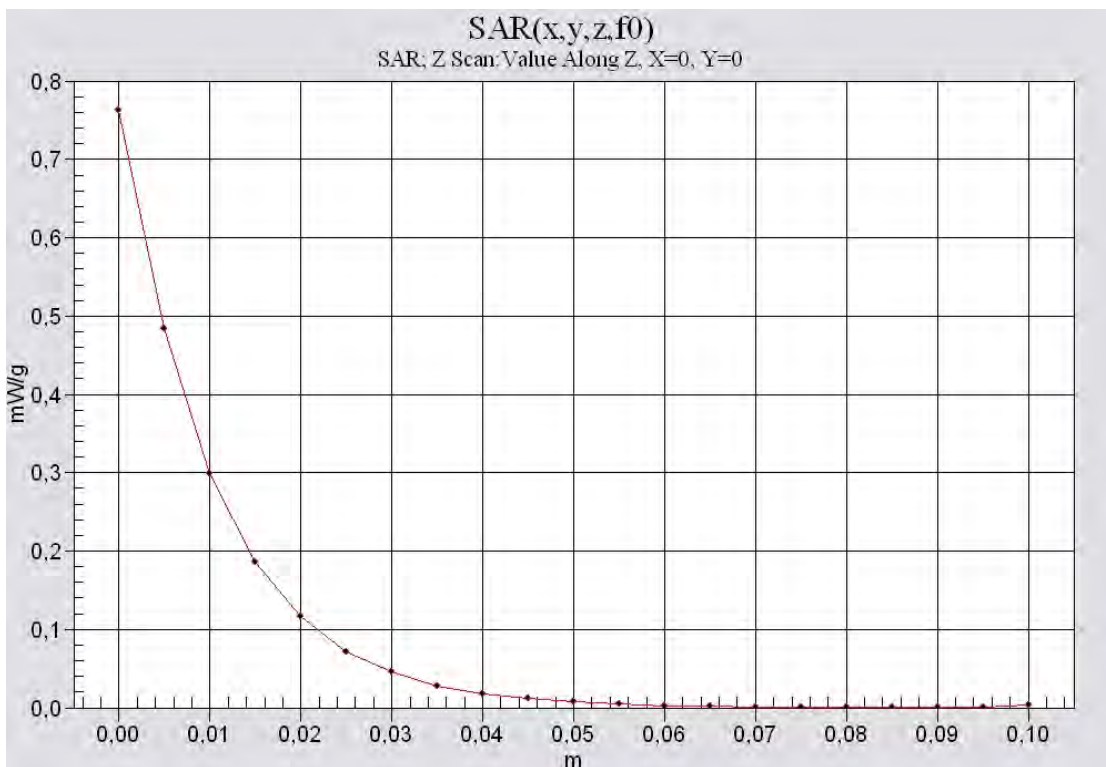
WCDMA FDD V 850 head



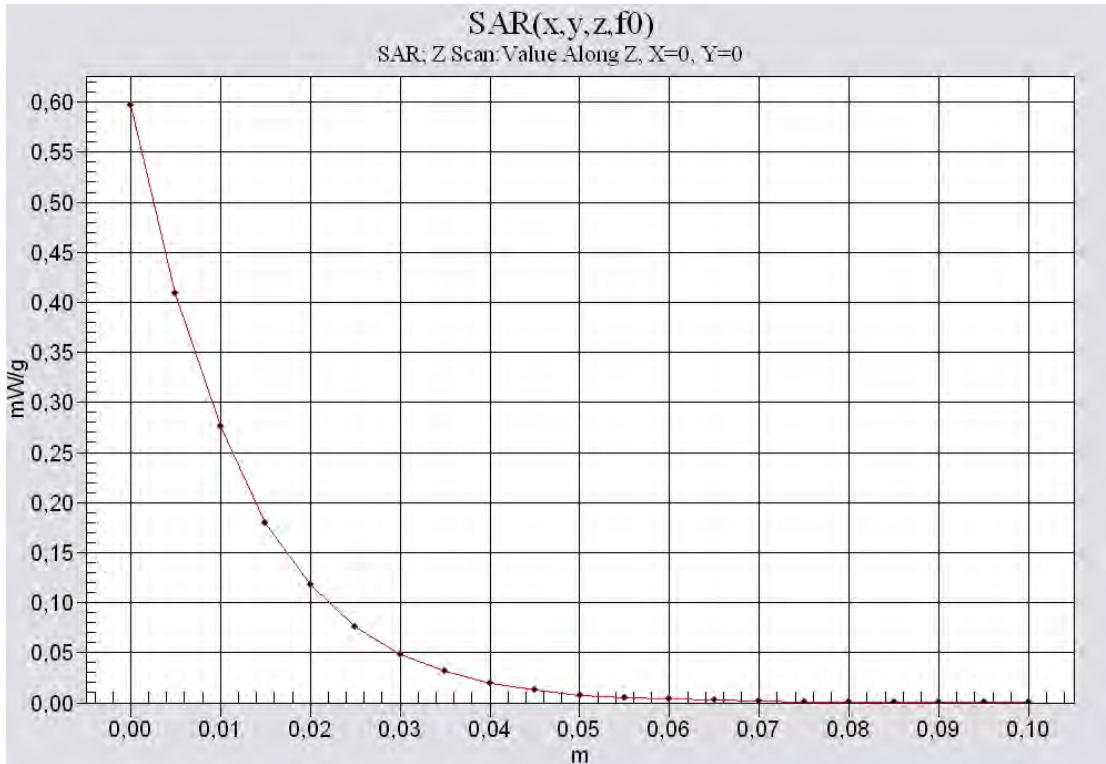
WCDMA FDD V 850 body



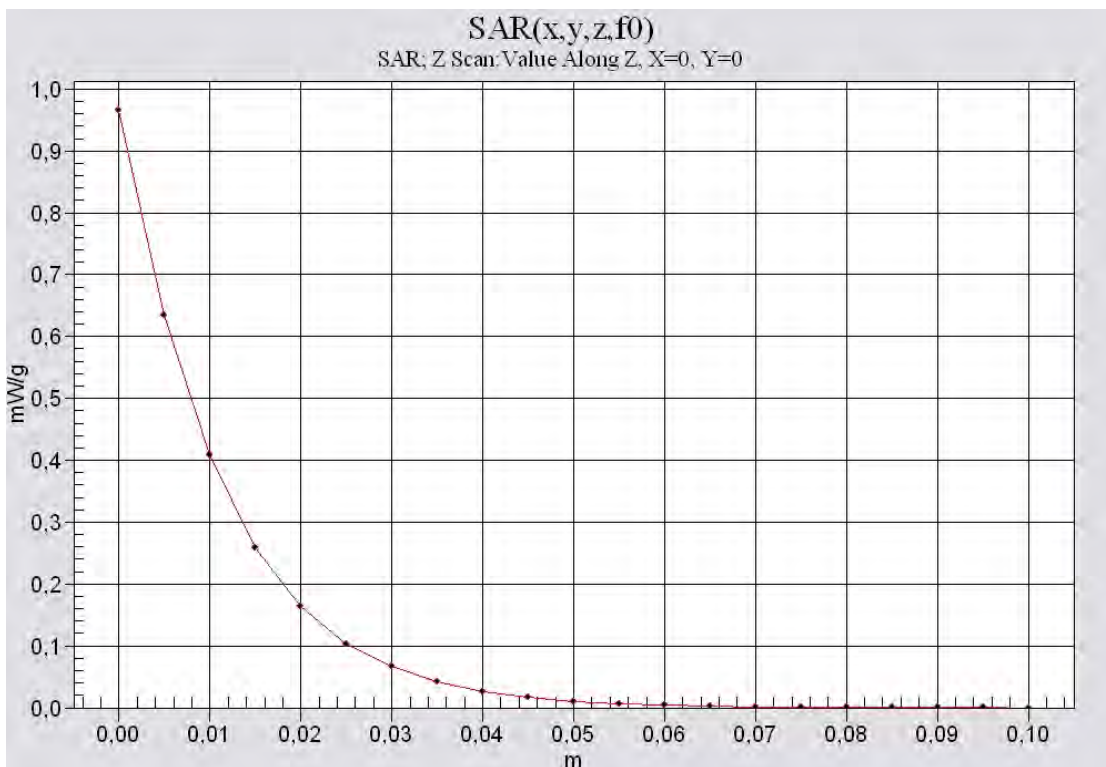
1900 head



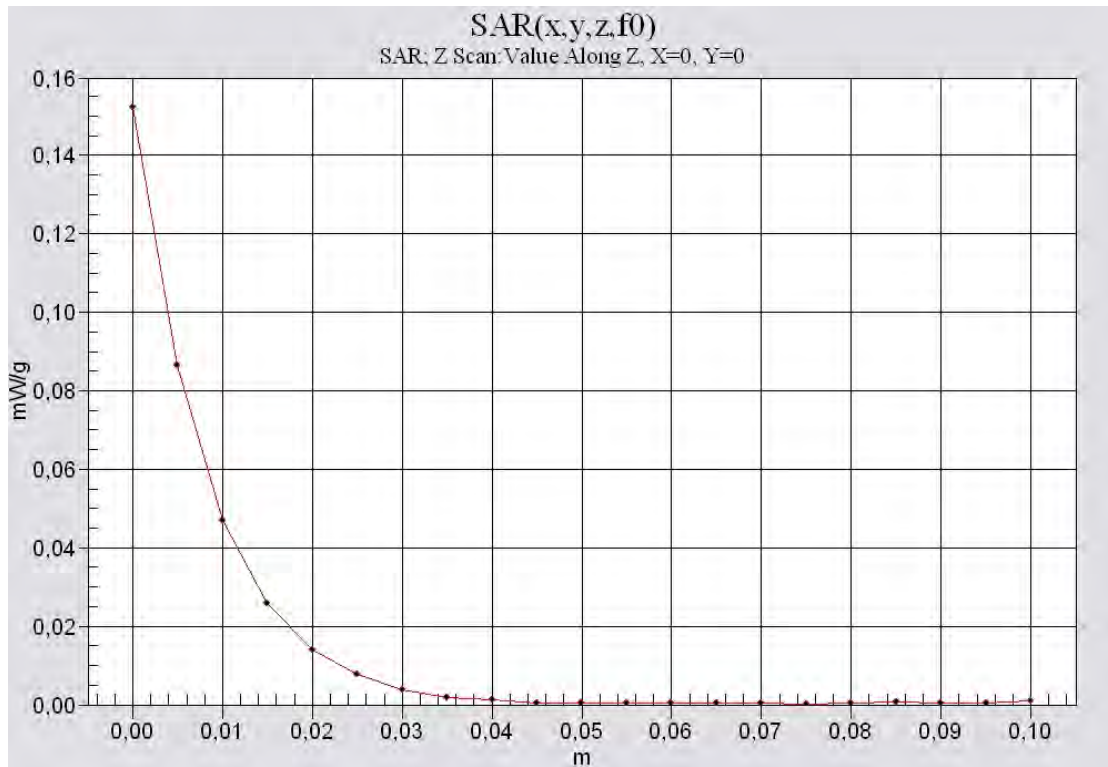
1900 body



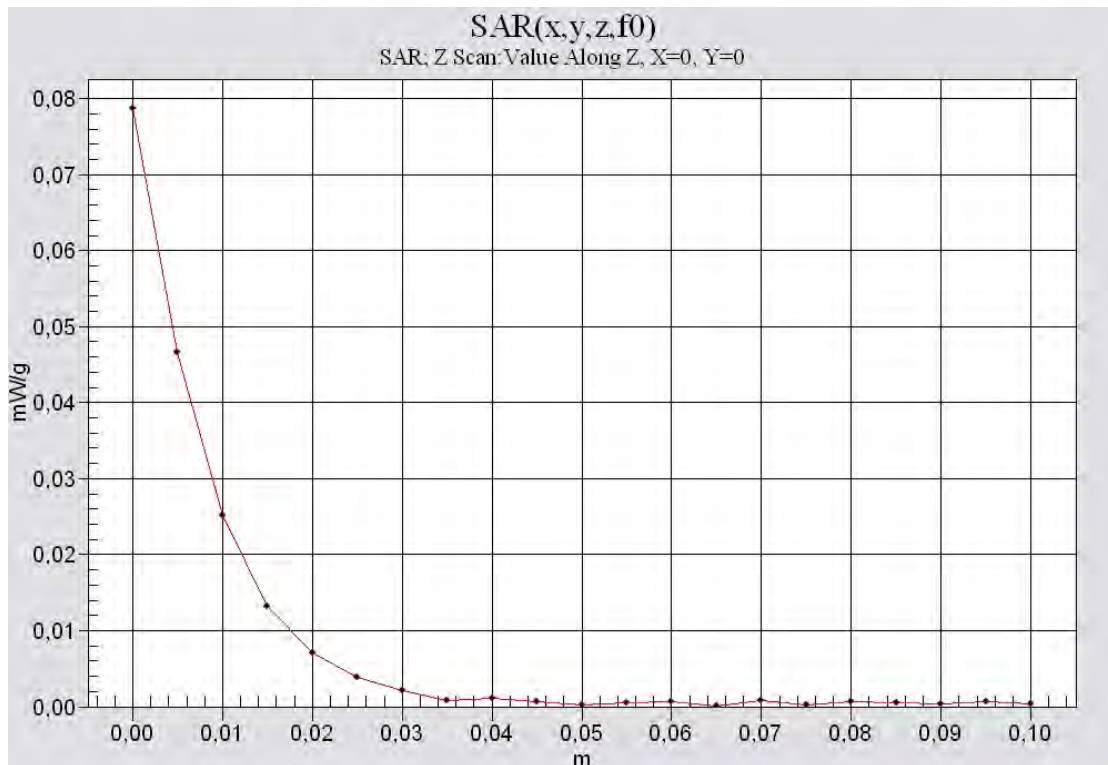
WCDMA FDD II 1900 head



WCDMA FDD II 1900 body



2450 head



2450 body

Annex B.12: Liquid depth

Photo 1: Liquid depth 850 MHz head simulating liquid



Photo 2: Liquid depth 850 MHz body simulating liquid



Photo 3: Liquid depth 1900MHz head simulating liquid

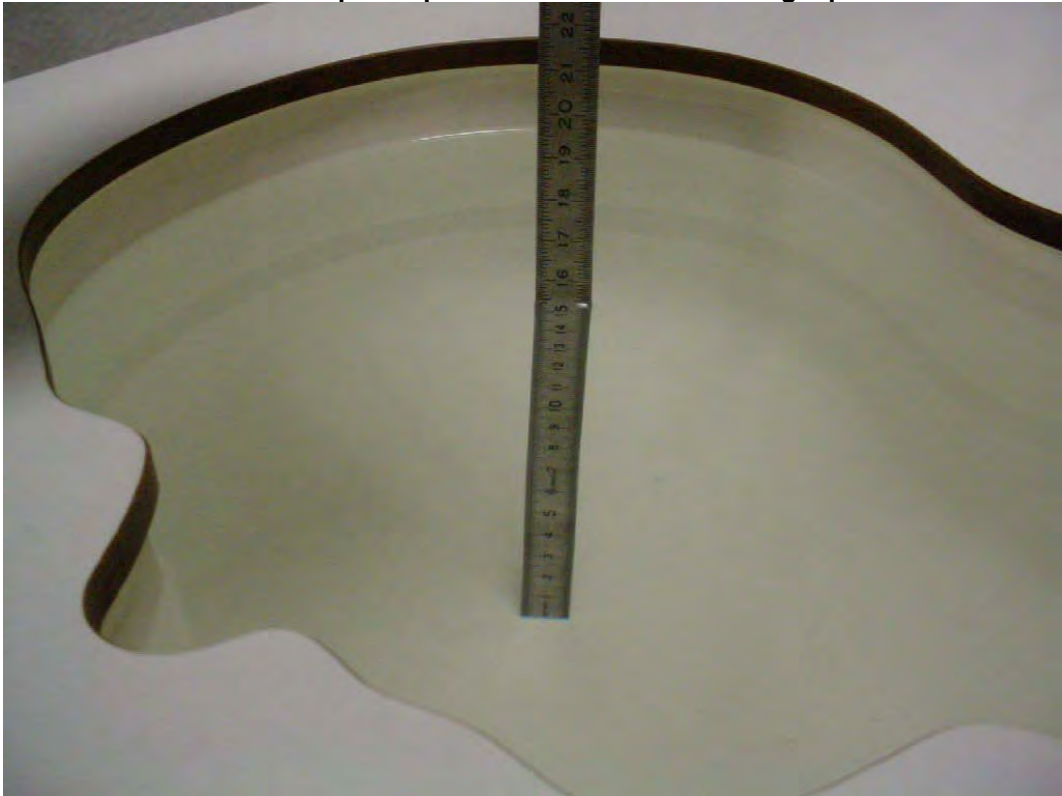


Photo 4: Liquid depth 1900 MHz body simulating liquid

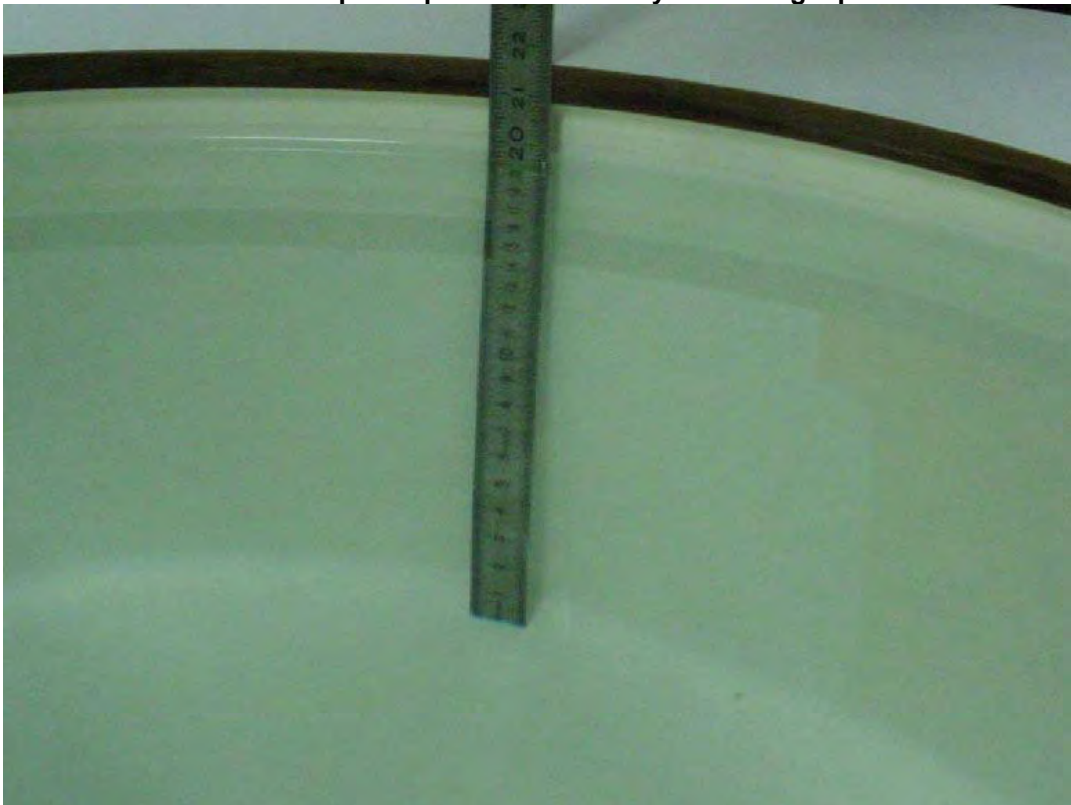


Photo 5: Liquid depth 2450MHz head simulating liquid

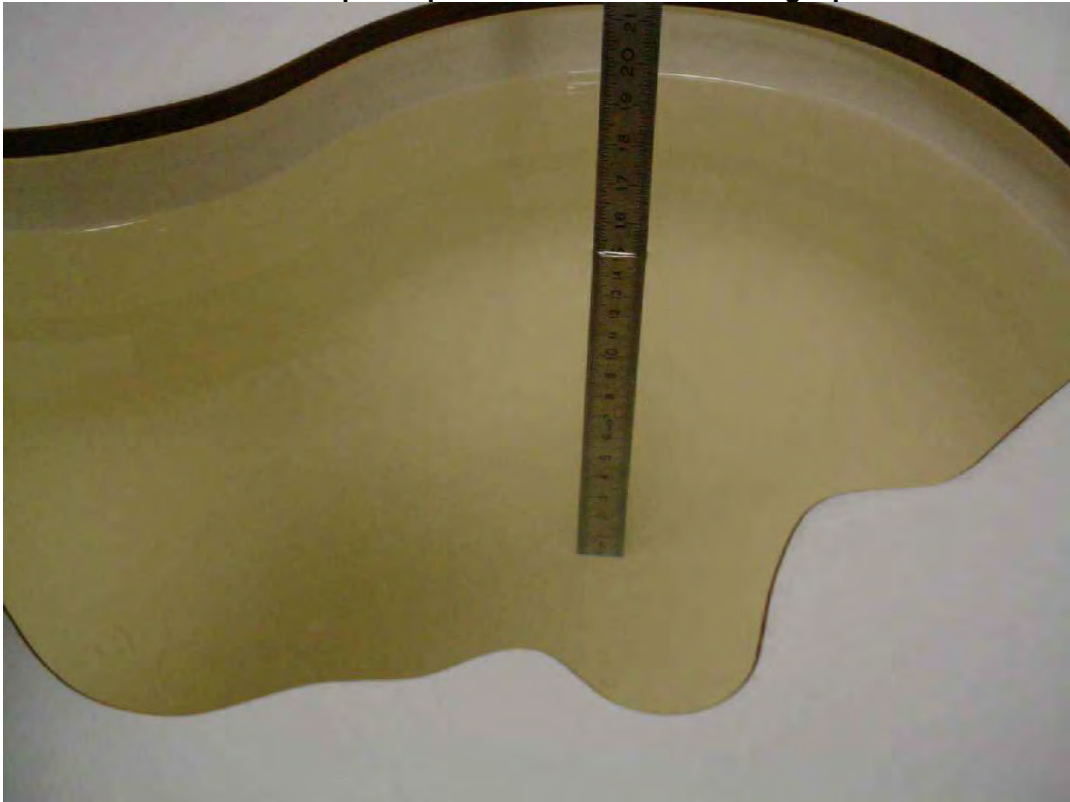


Photo 6: Liquid depth 2450 MHz body simulating liquid



Annex C: Photo documentation

Photo 1: Measurement System DASy 4



Photo 2: DUT - front view



Photo 3: DUT - front view, slide opened



Photo 4: DUT - right side view



Photo 5: DUT - rear view



Photo 6: DUT - rear view (open)



Photo 7: DUT - rear view (open) without battery



Photo 8: DUT - the label



Photo 9: The battery



Photo 10: Test position left hand touched

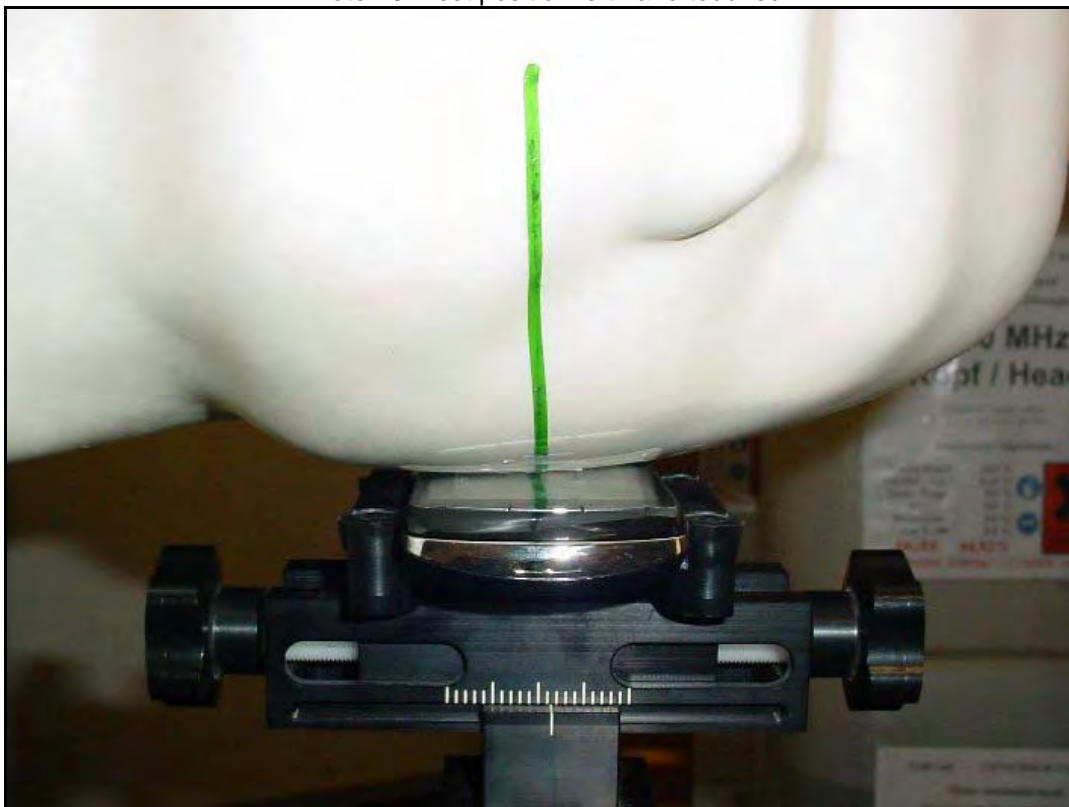


Photo 11: Test position left hand touched



Photo 12: Test position left hand touched



Photo 13: Test position left hand tilted 15°



Photo 14: Test position left hand tilted 15°



Photo 15: Test position left hand touched slide opened



Photo 16: Test position left hand touched slide opened



Photo 17: Test position left hand touched slide opened

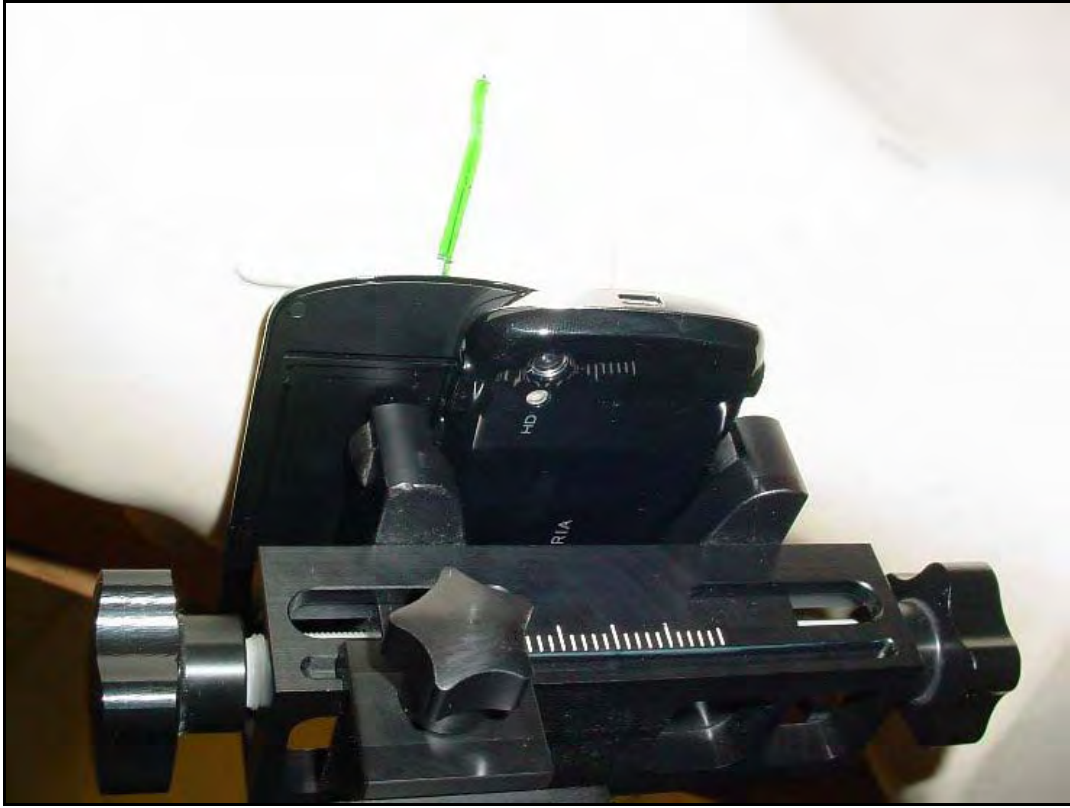


Photo 18: Test position left hand tilted 15° slide opened



Photo 19: Test position left hand tilted 15° slide opened



Photo 20: Test position right hand touched

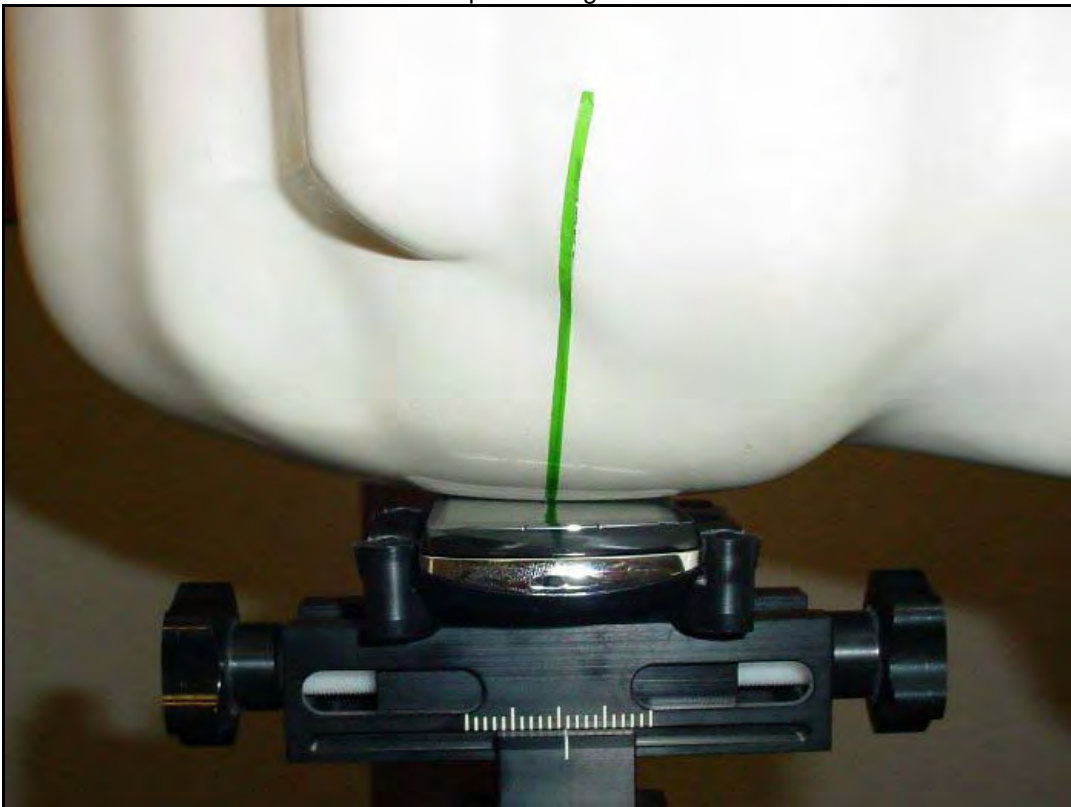


Photo 21: Test position right hand touched



Photo 22: Test position right hand touched



Photo 23: Test position right hand tilted 15°

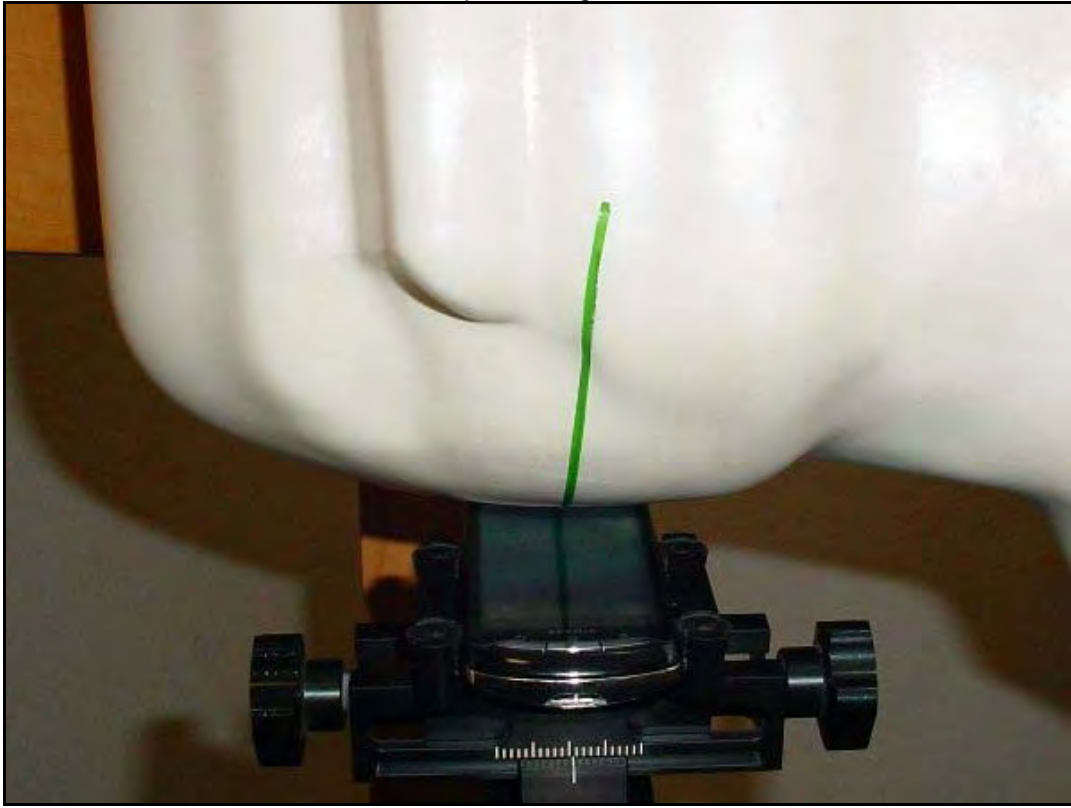


Photo 24: Test position right hand tilted 15°



Photo 25: Test position right hand touched slide opened

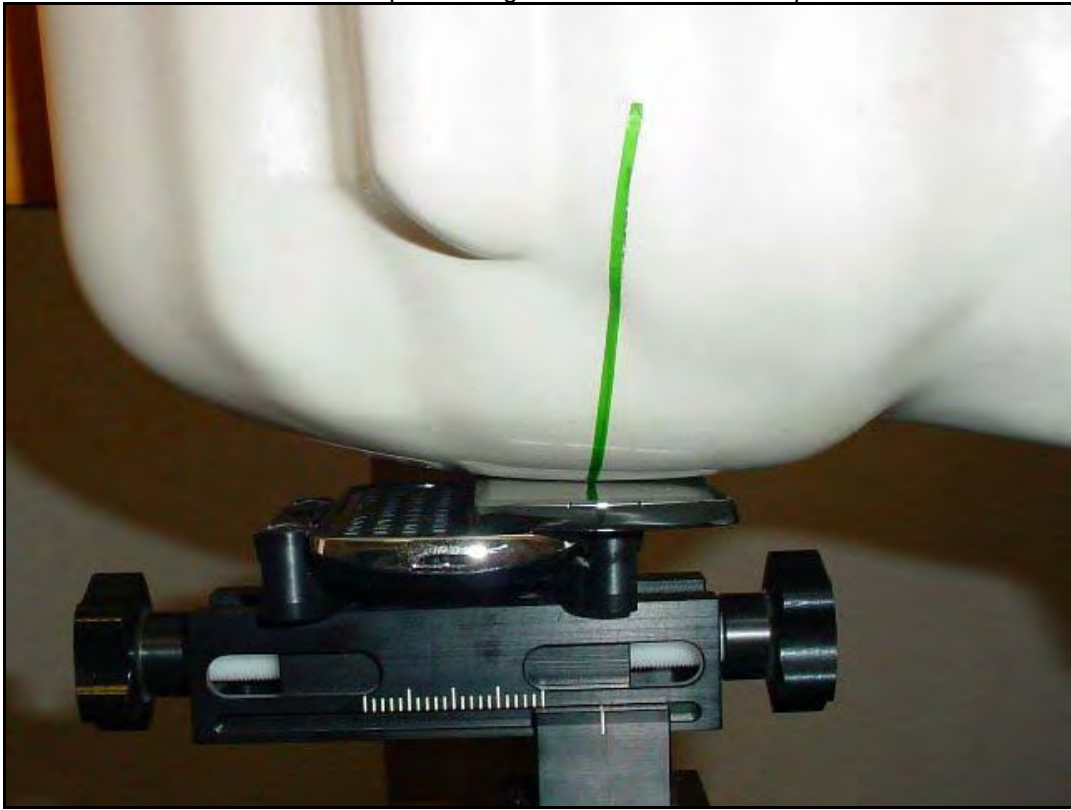


Photo 26: Test position right hand touched slide opened



Photo 27: Test position right hand touched slide opened



Photo 28: Test position right hand tilted 15° slide opened

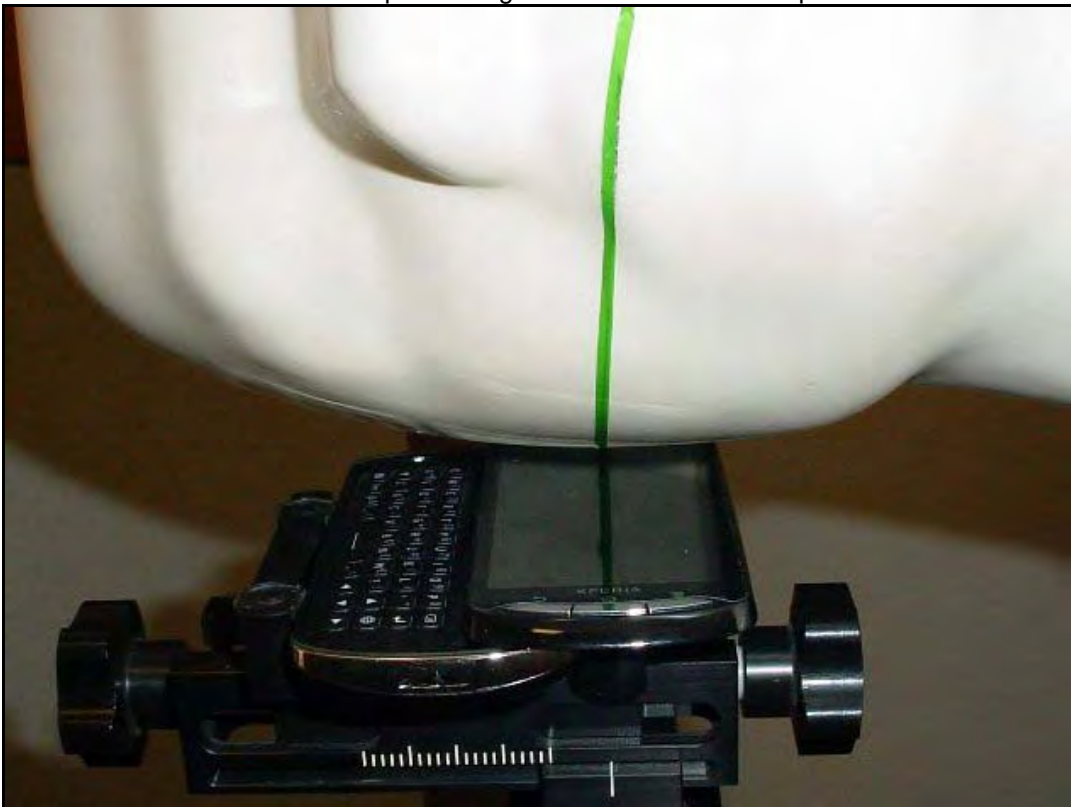


Photo 29: Test position right hand tilted 15° slide opened



Photo 30: Test position body worn front side (10mm distance)



Photo 31: Test position body worn rear side (10mm distance)



Photo 32: Test position body worn left side (10mm distance)



Photo 33: Test position body worn right side (10mm distance)



Photo 34: Test position body worn bottom side (10mm distance)



Photo 35: Test position body worn top side (10mm distance)



Photo 36: Test position body worn rear side (15mm distance)



Annex D: RF Technical Brief Cover Sheet acc. to RSS-102 Annex A

1. COMPANY NUMBER: 4170B

2. MODEL NUMBER: A3880111

3. MANUFACTURER: **Sony Ericsson Mobile Communications AB**

4. TYPE OF EVALUATION:

(a) SAR Evaluation: Device used in the Vicinity of the Human Head

- Multiple transmitters: Yes No
- Evaluated against exposure limits: General Public Use Controlled Use
- Duty cycle used in evaluation: 100 %
- Standard used for evaluation: RSS-102 Issue 4 (2010-03)
- SAR value: **1.030 W/kg.** Measured Computed Calculated

(b) SAR Evaluation: Body-worn Device

- Multiple transmitters: Yes No
- Evaluated against exposure limits: General Public Use Controlled Use
- Duty cycle used in evaluation: 100 %
- Standard used for evaluation: RSS-102 Issue 4 (2010-03)
- SAR value: **1.280 W/kg.** Measured Computed Calculated

Annex D.13: Declaration of RF Exposure Compliance

ATTESTATION: I attest that the information provided in Annex D: is correct; that a Technical Brief was prepared and the information it contains is correct; that the device evaluation was performed or supervised by me; that applicable measurement methods and evaluation methodologies have been followed and that the device meets the SAR and/or RF exposure limits of RSS-102.

Signature:



Date: 2011-05-13

NAME : **Thomas Vogler**

TITLE : Dipl.-Ing. (FH)

COMPANY : CETECOM ICT Services GmbH

Annex E: Calibration parameters

Calibration parameters are described in the additional document :

Appendix to test report no. 1-2977-19-02/11 Calibration data, Phantom certificate and detail information of the DASY4 System

Annex F: Document History

Version	Applied Changes	Date of Release
	Initial Release	2011-04-18
A	Body worn measurements with 15 mm distance for UMTS added (for information only)	2011-05-13

Annex G: Further Information

Glossary

DUT	-	Device under Test
EUT	-	Equipment under Test
FCC	-	Federal Communication Commission
FCC ID	-	Company Identifier at FCC
HW	-	Hardware
IC	-	Industry Canada
Inv. No.	-	Inventory number
N/A	-	not applicable
SAR	-	Specific Absorption Rate
S/N	-	Serial Number
SW	-	Software