



# FCC RF Test Report

**APPLICANT** : Sony Mobile Communications Inc  
**EQUIPMENT** : PDA Phone  
**BRAND NAME** : Sony  
**TYPE NAME** : PM-0780-BV  
**FCC ID** : PY7-PM0780  
**STANDARD** : FCC Part 15 Subpart C §15.225  
**CLASSIFICATION** : (DXX) Low Power Communication Device Transmitter

The testing was completed on Jan. 04, 2015. We, SPORTON INTERNATIONAL INC., would like to declare that the tested sample has been evaluated in accordance with the test procedures and has been in compliance with the applicable technical standards.

The test results in this report apply exclusively to the tested model / sample. Without written approval of SPORTON INTERNATIONAL INC., the test report shall not be reproduced except in full.

Reviewed by: Joseph Lin / Supervisor

Approved by: Jones Tsai / Manager



**SPORTON INTERNATIONAL INC.**

**No. 52, Hwa Ya 1<sup>st</sup> Rd., Hwa Ya Technology Park, Kwei-Shan District, Tao Yuan City, Taiwan, R.O.C.**



## Table of Contents

**SUMMARY OF THE TEST RESULT .....4**

**1. GENERAL INFORMATION.....5**

1.1 Applicant ..... 5

1.2 Manufacturer..... 5

1.3 Product Details..... 5

1.4 Modification of EUT..... 6

1.5 Testing Location ..... 7

1.6 Applicable Standards ..... 7

1.7 Test Modes..... 7

1.8 Test Configurations..... 8

1.9 Table for Supporting Units ..... 9

**2. CONDUCTED EMISSION TEST.....10**

2.1 Measuring Instruments ..... 10

2.2 Test setup ..... 10

2.3 Test Result of Conducted Emission Test..... 10

2.4 AC Power Line Conducted Emissions Measurement ..... 11

**3. CONDUCTED TEST ITEMS .....12**

3.1 Measuring Instruments ..... 12

3.2 Test Setup ..... 12

3.3 Test Result of Conducted Test Items..... 12

3.4 20dB Spectrum Bandwidth Measurement ..... 13

3.5 Frequency Stability Measurement ..... 13

**4. RADIATED TEST ITEMS.....14**

4.1 Measuring Instruments ..... 14

4.2 Test Setup ..... 14

4.3 Test Result of Radiated Test Items ..... 14

4.4 Field Strength of Fundamental Emissions and Mask Measurement ..... 15

4.5 Radiated Emissions Measurement ..... 16

**5. LIST OF MEASURING EQUIPMENT .....18**

**APPENDIX A. TEST RESULTS OF CONDUCTED EMISSION TEST**

**APPENDIX B. TEST RESULTS OF CONDUCTED TEST ITEMS**

B.1. Test Result of 20dB Spectrum Bandwidth

B.2 Test Result of Frequency Stability

**APPENDIX C. TEST RESULTS OF RADIATED TEST ITEMS**

C.1 Test Result of Field Strength of Fundamental Emissions

C.2 Results of Radiated Emissions (9 kHz~30MHz)

C.3 Results of Radiated Emissions (30MHz~1GHz)



## REVISION HISTORY

| REPORT NO. | VERSION | DESCRIPTION             | ISSUED DATE   |
|------------|---------|-------------------------|---------------|
| FR4D0327D  | Rev. 01 | Initial issue of report | Mar. 02, 2015 |
|            |         |                         |               |
|            |         |                         |               |
|            |         |                         |               |
|            |         |                         |               |
|            |         |                         |               |
|            |         |                         |               |
|            |         |                         |               |
|            |         |                         |               |
|            |         |                         |               |
|            |         |                         |               |
|            |         |                         |               |
|            |         |                         |               |
|            |         |                         |               |
|            |         |                         |               |
|            |         |                         |               |



### SUMMARY OF THE TEST RESULT

| Applied Standard: 47 CFR FCC Part 15 Subpart C |                     |   |          |                                       |
|--|---------------------|---|----------|---------------------------------------|
| Part   | FCC Rule            | Description of Test                     | Result   | Under Limit                           |
| 3.1  | 15.207              | AC Power Line Conducted Emissions       | Complies | 14.20 dB at 0.438MHz                  |
| 3.2  | 15.225(a)(b)(c)     | Field Strength of Fundamental Emissions | Complies | 68.56 dB at 13.560 MHz                |
| 3.3  | 2.1049              | 20dB Spectrum Bandwidth                 | Complies | -                                     |
| 3.4  | 15.225(d)<br>15.209 | Radiated Emissions                      | Complies | 32.05 dB at 21.274 MHz for Quasi-Peak |
| 3.5  | 15.225(e)           | Frequency Stability                     | Complies | -                                     |
| 3.6  | 15.203              | Antenna Requirements                    | Complies | -                                     |

| Test Items                         | Uncertainty | Remark                   |
|------------------------------------|-------------|--------------------------|
| AC Power Line Conducted Emissions  | ±2.26dB     | Confidence levels of 95% |
| Radiated Emissions (30MHz~1000MHz) | ±4.70dB     | Confidence levels of 95% |



# 1. GENERAL INFORMATION

## 1.1 Applicant

Sony Mobile Communications Inc  
Nya Vattentorget 22188 Lund/Sweden

## 1.2 Manufacturer

Sony Mobile Communications Inc  
Nya Vattentorget 22188 Lund/Sweden

## 1.3 Product Details

| Items                 | Description        |
|-----------------------|--------------------|
| Tx/Rx Frequency Range | 13.553 ~ 13.567MHz |
| Channel Number        | 1                  |
| 20dBW                 | 2.64KHz            |
| 99%OBW                | 2.24KHz            |
| Antenna Type          | Loop Antenna       |
| Type of Modulation    | ASK                |

**Remark:** The above EUT's information was declared by manufacturer. Please refer to the specifications or user's manual for more detailed description.

| EUT Information List   |            |             |            |                            |
|------------------------|------------|-------------|------------|----------------------------|
| IMEI                   | HW Version | SW Version  | S/N        | Performed Test Item        |
| IMEI : 004402453275624 | AP         | 26.1.A.0.79 | YT910ZRWL3 | RF conducted measurement   |
| IMEI : 004402453275624 |            |             | YT910ZRWL3 | Radiated Spurious Emission |
| IMEI : 004402453306957 |            |             | YT910ZRWBG | Conducted Emission         |



| Accessory List    |   |
|-------------------|---|
| <b>AC Adapter</b> | Model No. : EP800   |
|                   | Type No. : CAA-0002016-US   |
|                   | S/N :<br>3112W49108087 (For Conducted Emission)<br>3112W49107935 (For Radiated Spurious Emission)     |
| <b>Battery</b>    | Model No. : Bellis  |
| <b>Earphone</b>   | Model No. : MH410c  |
|                   | Type No. : AG-1100  |
|                   | S/N :<br>12431A1B0011582 (For Conducted Emission)<br>12431A1E00118A8 (For Radiated Spurious Emission) |
| <b>USB Cable</b>  | Model No. : EC450   |
|                   | Type No. : AI-0700  |
|                   | S/N :<br>142412D8250297C (For Conducted Emission)<br>113912D0171324C (For Radiated Spurious Emission) |

**Note:**

1. Above EUT list and accessory list used are electrically identical per declared by manufacturer.
2. Above the accessories list are used to exercise the EUT during test.
3. For other wireless features of this EUT, test report will be issued separately.

**1.4 Modification of EUT**

No modifications are made to the EUT during all test items.



## 1.5 Testing Location

Sporton Lab is accredited to ISO 17025 by Taiwan Accreditation Foundation (TAF code : 1190) and the FCC designation No. TW1022 under the FCC 2.948(e) by Mutual Recognition Agreement (MRA) in FCC Test.

|                           |   |              |           |
|---------------------------|---|--------------|-----------|
| <b>Test Site</b>          | SPORTON INTERNATIONAL INC.  |              |           |
| <b>Test Site Location</b> | No. 52, Hwa Ya 1 <sup>st</sup> Rd., Hwa Ya Technology Park,<br>Kwei-Shan District, Tao Yuan City, Taiwan, R.O.C.<br>TEL: +886-3-3273456 / FAX: +886-3-3284978 |              |           |
| <b>Test Site No.</b>      | <b>Sporton Site No.</b>   |              |           |
|                           | TH02-HY   | CO05-HY      | 03CH07-HY |
| <b>Test Engineer</b>      | Danny Chen  | Kai-Chun Chu | Nick Yu   |
| <b>Temperature</b>        | 22~24   | 20~22        | 21~23     |
| <b>Relative Humidity</b>  | 53~55   | 46~48        | 47~49     |

**Note:** The test site complies with ANSI C63.4 2009 requirement.

## 1.6 Applicable Standards

According to the specifications of the manufacturer, the EUT must comply with the requirements of the following standards:

- ♦ FCC Part 15 Subpart C §15.225
- ♦ ANSI C63.10-2013

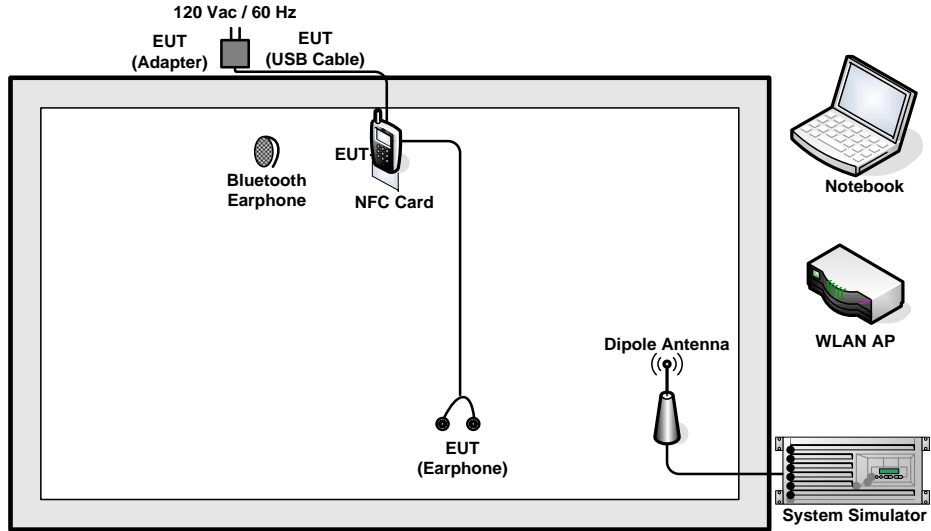
## 1.7 Test Modes

Investigation has been done on all the possible configurations for searching the worst cases. The following table is a list of the test modes shown in this test report.

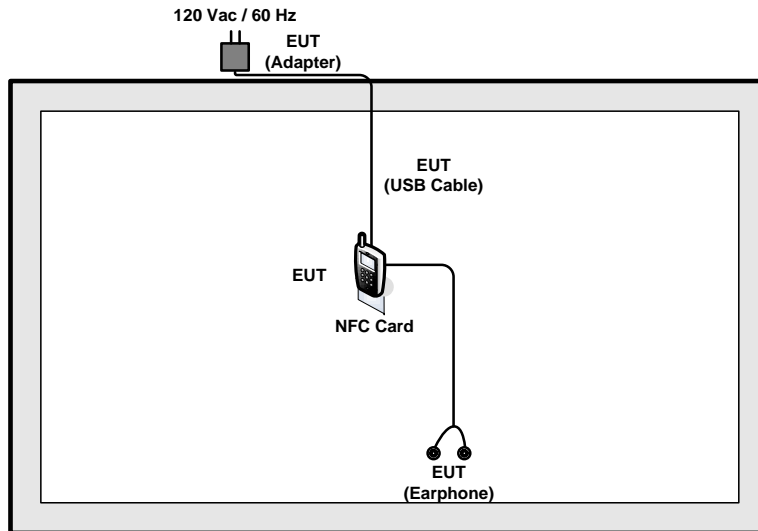
| Test Items  |   |
|---|---|
| AC Power Line Conducted Emissions   | Field Strength of Fundamental Emissions |
| 20dB Spectrum Bandwidth   | Frequency Stability                     |
| Radiated Emissions 9kHz~30MHz   | Radiated Emissions 30MHz~1GHz           |
| <b>Note:</b>  |   |
| 1. The EUT was programmed to be in continuously transmitting mode.  |   |
| 2. The ancillary equipment, NFC card, is used to make the EUT (NFC) continuously transmit at 13.56MHz and is placed around 3 cm gap to the EUT. |   |

## 1.8 Test Configurations

### <AC Conducted Emissions>



### < For Fundamental Emissions and Mask and Radiated Emissions Measurement >







1.9 Table for Supporting Units

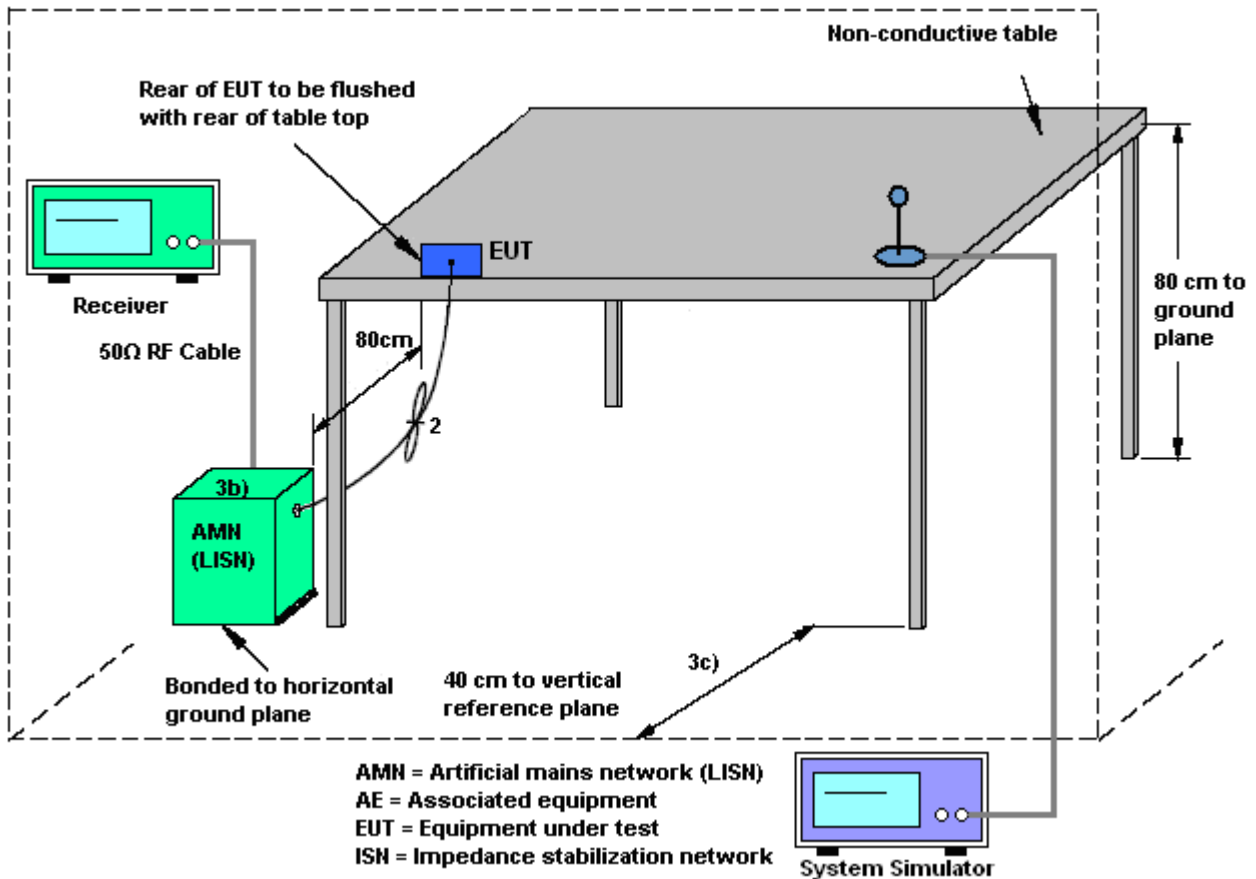
| Item | Equipment          | Trade Name    | Model Name     | FCC ID                                       | Data Cable | Power Cord   |
|------|--------------------|---------------|----------------|--|------------|--|
| 1.   | System Simulator   | Anritsu       | MT8820C        | N/A  | N/A        | Unshielded, 1.8 m  |
| 2.   | WLAN AP            | D-Link        | DIR-628        | KA2DIR628A2                                  | N/A        | Unshielded, 1.8 m  |
| 3.   | Notebook           | DELL          | Latitude E6320 | FCC DoC/<br>Contains FCC ID:<br>QDS-BRCM1054 | N/A        | AC I/P:<br>Unshielded, 1.2 m<br>DC O/P:<br>Shielded, 1.8 m |
| 4.   | Bluetooth Earphone | Sony Ericsson | SBH20          | PY7-RD0010                                   | N/A        | N/A  |
| 5.   | NFC Card           | Metro Taipei  | Easy Card      | N/A  | N/A        | N/A  |
| 6.   | SD Card            | SanDisk       | MicroSD HC     | FCC DoC                                      | N/A        | N/A  |

## 2. CONDUCTED EMISSION TEST

### 2.1 Measuring Instruments

See list of measuring instruments of this test report.

### 2.2 Test setup



### 2.3 Test Result of Conducted Emission Test

Please refer to Appendix B.



## 2.4 AC Power Line Conducted Emissions Measurement

### 2.4.1 Limit

For equipment that is designed to be connected to the public utility (AC) power line, the radio frequency voltage that is conducted back onto the AC power line on any frequency or frequencies within the band 150 kHz to 30 MHz shall not exceed the limits in the following table.

| Frequency of Emission<br>(MHz) | Conducted Limit (dB $\mu$ V) |           |
|--------------------------------|------------------------------|-----------|
|                                | Quasi-Peak                   | Average   |
| 0.15-0.5                       | 66 to 56*                    | 56 to 46* |
| 0.5-5                          | 56                           | 46        |
| 5-30                           | 60                           | 50        |

\*Decreases with the logarithm of the frequency.

### 2.4.2 Test Procedures

1. The EUT was placed 0.4 meter from the conducting wall of the shielding room, and it was kept at least 80 centimeters from any other grounded conducting surface.
2. Connect EUT to the power mains through a line impedance stabilization network (LISN).
3. All the support units are connecting to the other LISN.
4. The LISN provides 50 ohm coupling impedance for the measuring instrument.
5. The FCC states that a 50 ohm, 50 microhenry LISN should be used.
6. Both sides of AC line were checked for maximum conducted interference.
7. The frequency range from 150 kHz to 30 MHz was searched.
8. Set the test-receiver system to Peak Detect Function and specified bandwidth (IF Bandwidth = 9kHz) with Maximum Hold Mode. Then measurement is also conducted by Average Detector and Quasi-Peak Detector Function respectively.

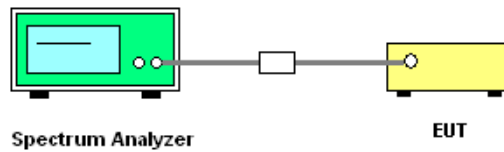
### 3. CONDUCTED TEST ITEMS

#### 3.1 Measuring Instruments

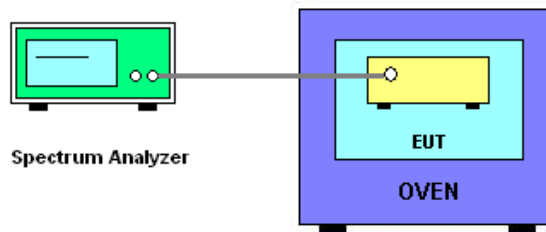
See list of measuring instruments of this test report.

#### 3.2 Test Setup

##### 3.2.1 20dB Spectrum Bandwidth



##### 3.2.2 Frequency Stability



#### 3.3 Test Result of Conducted Test Items

Please refer to Appendix C.



### 3.4 20dB Spectrum Bandwidth Measurement

#### 3.4.1 Limit

Intentional radiators must be designed to ensure that the 20 dB bandwidth of the emissions in the specific band 13.553~13.567MHz

#### 3.4.2 Test Procedures

1. The transmitter output (antenna port) was connected to the spectrum analyzer in peak Max hold mode.
2. The resolution bandwidth of 1 kHz and the video bandwidth of 3 kHz were used.
3. Measured the spectrum width with power higher than 20dB below carrier.

### 3.5 Frequency Stability Measurement

#### 3.5.1 Limit

The frequency tolerance of the carrier signal shall be maintained within +/- 0.01% (100ppm) of the operating frequency over a temperature variation of -20 degrees to +50 degrees C at normal supply voltage, and for a variation in the primary supply voltage from 85% to 115% of the rated supply voltage at a temperature of 20 degrees C. For battery operated equipment, the equipment tests shall be performed using a new battery.

#### 3.5.2 Test Procedures

1. The transmitter output (antenna port) was connected to the spectrum analyzer.
2. EUT have transmitted signal and fixed channelize.
3. Set the spectrum analyzer span to view the entire emissions bandwidth.
4. Set RBW = 1 kHz, VBW = 3 kHz with peak detector and maxhold settings.
5. The  $f_c$  is declaring of channel frequency. Then the frequency error formula is  $(f_c - f) / f_c \times 10^6$  ppm and the limit is less than  $\pm 100$ ppm.
6. Extreme temperature rule is -20°C~50°C.

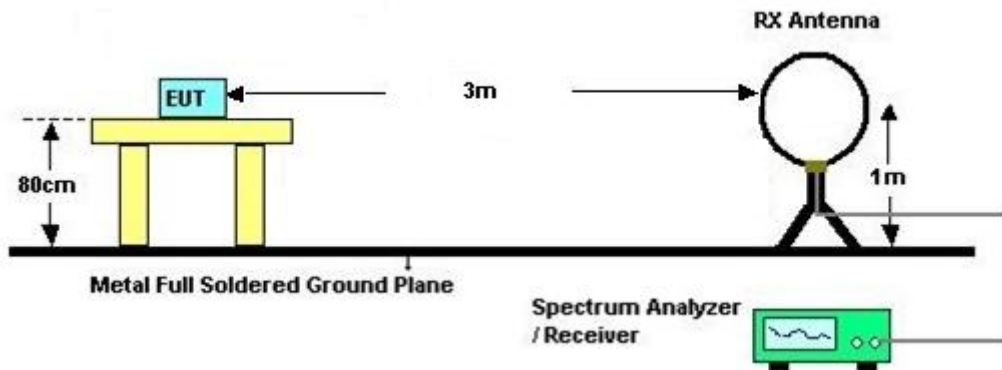
## 4. RADIATED TEST ITEMS

### 4.1 Measuring Instruments

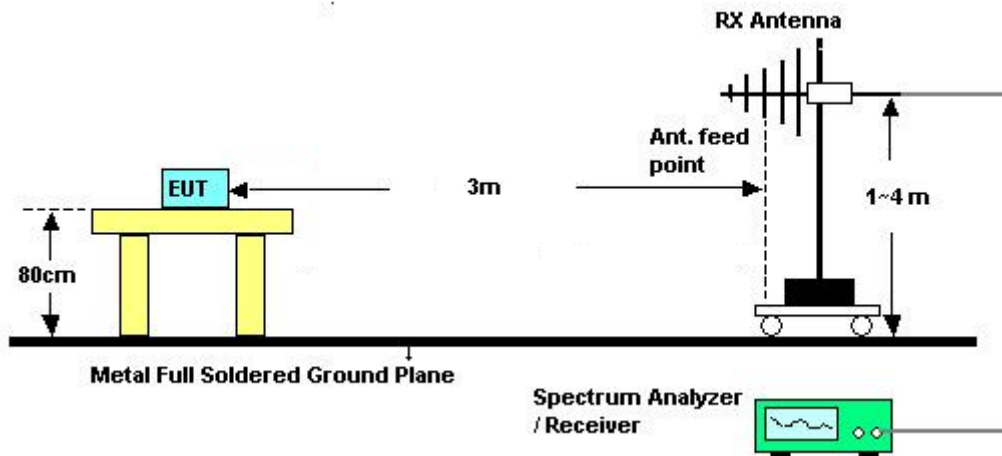
See list of measuring instruments of this test report.

### 4.2 Test Setup

#### 4.2.1 For radiated emissions below 30MHz



#### 4.2.2 For radiated emissions above 30MHz



### 4.3 Test Result of Radiated Test Items

Please refer to Appendix D.



### 4.4 Field Strength of Fundamental Emissions and Mask Measurement

#### 4.4.1 Limit

| Rules and specifications | CFR 47 Part 15 section 15.225(a)-(d)   |                                |                                |                               |
|--------------------------|--|--------------------------------|--------------------------------|-------------------------------|
| Description              | Compliance with the spectrum mask is tested using a spectrum analyzer with RBW set to a 9kHz for the band 13.553~13.567MHz |                                |                                |                               |
| Freq. of Emission (MHz)  | Field Strength (µV/m) at 30m   | Field Strength (dBµV/m) at 30m | Field Strength (dBµV/m) at 10m | Field Strength (dBµV/m) at 3m |
| 1.705~13.110             | 30   | 29.5                           | 48.58                          | 69.5                          |
| 13.110~13.410            | 106  | 40.5                           | 59.58                          | 80.5                          |
| 13.410~13.553            | 334  | 50.5                           | 69.58                          | 90.5                          |
| 13.553~13.567            | 15848  | 84.0                           | 103.08                         | 124.0                         |
| 13.567~13.710            | 334  | 50.5                           | 69.58                          | 90.5                          |
| 13.710~14.010            | 106  | 40.5                           | 59.58                          | 80.5                          |
| 14.010~30.000            | 30   | 29.5                           | 48.58                          | 69.5                          |

#### 4.4.2 Test Procedures

1. Configure the EUT according to ANSI C63.4. The EUT was placed on the top of the turntable 0.8 meter above ground. The phase center of the loop receiving antenna mounted antenna tower was placed 3 meters far away from the turntable.
2. Power on the EUT and all the supporting units. The turntable was rotated by 360 degrees to determine the position of the highest radiation.
3. The height of the receiving antenna was fixed at one meter above ground to find the maximum emissions field strength.
4. For Fundamental emissions, use the receiver to measure QP reading.
5. When the radiated emissions limits are expressed in terms of the average value of the emissions, and pulsed operation is employed, the measurement field strength shall be determined by averaging over one complete pulse train, including blanking intervals, as long as the pulse train does not exceed 0.1 seconds. As an alternative (provided the transmitter operates for longer than 0.1 seconds) or in cases where the pulse train exceeds 0.1 seconds, the measured field strength shall be determined from the average absolute voltage during a 0.1 second interval during which the field strength is at its maximum value.
6. Compliance with the spectrum mask is tested using a spectrum analyzer with RBW set to a 9kHz for the band 13.553~13.567MHz.

Note: Emission level (dBµV/m) = 20 log Emission level (µV/m).



## 4.5 Radiated Emissions Measurement

### 4.5.1 Limit

The field strength of any emissions which appear outside of 13.553~13.567MHz band shall not exceed the general radiated emissions limits.

| Frequencies (MHz) | Field Strength ( $\mu\text{V/m}$ ) | Measurement Distance (meters) |
|-------------------|------------------------------------|-------------------------------|
| 0.009~0.490       | 2400/F(kHz)                        | 300                           |
| 0.490~1.705       | 24000/F(kHz)                       | 30                            |
| 1.705~30.0        | 30                                 | 30                            |
| 30~88             | 100                                | 3                             |
| 88~216            | 150                                | 3                             |
| 216~960           | 200                                | 3                             |
| Above 960         | 500                                | 3                             |

### 4.5.2 Measuring Instrument Setting

The following table is the setting of receiver.

| Receiver Parameter             | Setting             |
|--------------------------------|---------------------|
| Attenuation                    | Auto                |
| Frequency Range: 9kHz~150kHz   | RBW 200Hz for QP    |
| Frequency Range: 150kHz~30MHz  | RBW 9kHz for QP     |
| Frequency Range: 30MHz~1000MHz | RBW 120kHz for Peak |

**Note:** The emission limits shown in the above table are based on measurements employing a CISPR quasi-peak detector except for the frequency bands 9-90 kHz, 110-490 kHz. Radiated emission limits in these two bands are based on measurements employing an average detector.





#### 4.5.3 Test Procedures

1. Configure the EUT according to ANSI C63.4. The EUT was placed on the top of the turntable 0.8 meter above ground. The phase center of the receiving antenna mounted on the top of a height-variable antenna tower was placed 3 meters far away from the turntable.
2. Power on the EUT and all the supporting units. The turntable was rotated by 360 degrees to determine the position of the highest radiation.
3. The height of the broadband receiving antenna was varied between one meter and four meters above ground to find the maximum emissions field strength of both horizontal and vertical polarization.
4. For each suspected emissions, the antenna tower was scan (from 1 M to 4 M) and then the turntable was rotated (from 0 degree to 360 degrees) to find the maximum reading.
5. Set the test-receiver system to Peak or CISPR quasi-peak Detect Function with specified bandwidth under Maximum Hold Mode.
6. When the radiated emissions limits are expressed in terms of the average value of the emissions, and pulsed operation is employed, the measurement field strength shall be determined by averaging over one complete pulse train, including blanking intervals, as long as the pulse train does not exceed 0.1 seconds. As an alternative (provided the transmitter operates for longer than 0.1 seconds) or in cases where the pulse train exceeds 0.1 seconds, the measured field strength shall be determined from the average absolute voltage during a 0.1 second interval during which the field strength is at its maximum value.
7. In case the emission is lower than 30MHz, loop antenna has to be used for measurement and the recorded data should be QP measured by receiver. Antenna Requirements

#### 4.5.4 Limit

Except for special regulations, the Low-power Radio-frequency Devices must not be equipped with any jacket for installing an antenna with extension cable. An intentional radiator shall be designed to ensure that no antenna other than that furnished by the responsible party shall be used with the device. The use of a permanently attached antenna or of an antenna that uses a unique coupling to the intentional radiator shall be considered sufficient to comply with the provisions of this Section. The manufacturer may design the unit so that the user can replace a broken antenna, but the use of a standard antenna jack or electrical connector is prohibited.

#### 4.5.5 Antenna Anti-Replacement Construction

An embedded-in antenna design is used.



### 5. LIST OF MEASURING EQUIPMENT

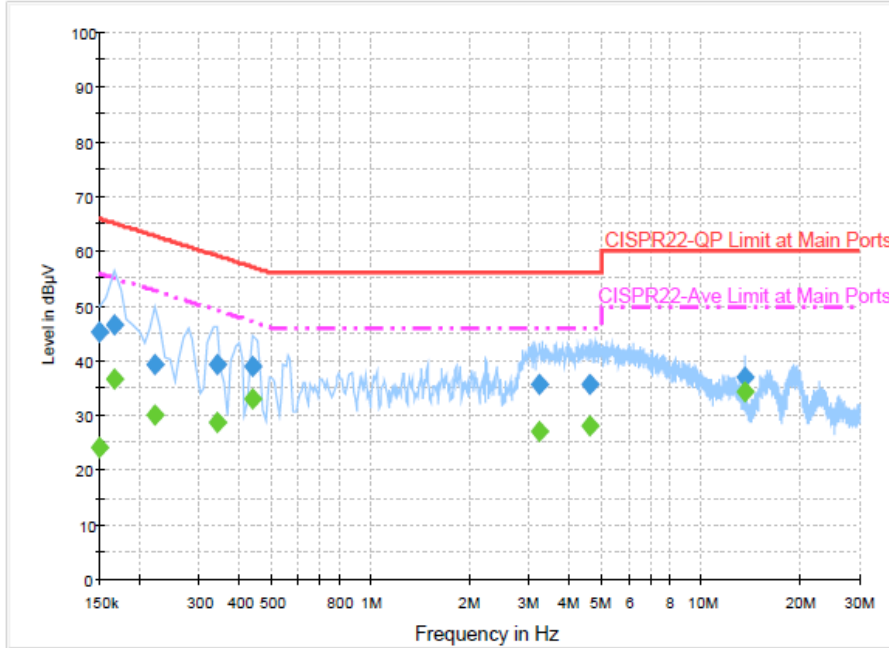
| Instrument        | Manufacturer    | Model No.           | Serial No.            | Characteristics    | Calibration Date | Test Date                       | Due Date      | Remark                |
|-------------------|-----------------|---------------------|-----------------------|--------------------|------------------|---------------------------------|---------------|-----------------------|
| Spectrum Analyzer | Rohde & Schwarz | FSP40               | 100055                | 9kHz~40GHz         | Jun. 09, 2014    | Jan. 23, 2015~<br>Jan. 26, 2015 | Jun. 08, 2015 | Conducted (TH02-HY)   |
| Thermal Chamber   | Ten Billion     | TTH-D3SP            | TBN-930701            | N/A                | Jul. 16, 2014    | Jan. 23, 2015~<br>Jan. 26, 2015 | Jul. 15, 2015 | Conducted (TH02-HY)   |
| Hygrometer        | Testo           | 608-H1              | 34897199              | N/A                | May. 06, 2014    | Jan. 23, 2015~<br>Jan. 26, 2015 | May. 05, 2015 | Conducted (TH02-HY)   |
| RF cable          | WOKEN           | S05                 | S05-130708-038        | N/A                | Jan. 21, 2015    | Jan. 23, 2015~<br>Jan. 26, 2015 | Jan. 20, 2016 | Conducted (TH02-HY)   |
| EMI Test Receiver | Rohde & Schwarz | ESCS 30             | 100356                | 9kHz ~ 2.75GHz     | Dec. 01, 2014    | Jan. 08, 2015                   | Nov. 30, 2015 | Conduction (CO05-HY)  |
| LISN              | Rohde & Schwarz | ENV216              | 100080                | 9kHz ~ 30MHz       | Dec. 02, 2014    | Jan. 08, 2015                   | Dec. 01, 2015 | Conduction (CO05-HY)  |
| AC Power Source   | ChainTek        | APC-1000W           | N/A                   | N/A                | N/A              | Jan. 08, 2015                   | N/A           | Conduction (CO05-HY)  |
| Hygrometer        | Testo           | 608-H1              | 34913912              | N/A                | Apr. 23, 2014    | Jan. 08, 2015                   | Apr. 22, 2015 | Conduction (CO05-HY)  |
| LF Cable          | Shuner          | RG-402              | N/A                   | N/A                | Oct. 07, 2014    | Jan. 08, 2015                   | Oct. 06, 2015 | Conduction (CO05-HY)  |
| Test Software     | N/A             | EMC32               | 8.40.0                | N/A                | N/A              | Jan. 08, 2015                   | N/A           | Conduction (CO05-HY)  |
| Preamplifier      | COM-POWER       | PA-103A             | 161241                | 10MHz-1000MHz      | Mar. 17, 2014    | Jan. 08, 2015                   | Mar. 16, 2015 | Radiation (03CH07-HY) |
| Bilog Antenna     | Schaffner       | CBL6111C            | 2726                  | 30MHz ~ 1GHz       | Sep. 27, 2014    | Jan. 08, 2015                   | Sep. 26, 2015 | Radiation (03CH07-HY) |
| Loop Antenna      | Rohde & Schwarz | HFH2-Z2             | 100315                | 9 kHz~30 MHz       | Jul. 28, 2014    | Jan. 08, 2015                   | Jul. 27, 2015 | Radiation (03CH07-HY) |
| Horn Antenna      | SCHWARZBECK     | BBHA 9170           | BBHA9170584           | 18GHz- 40GHz       | Nov. 03, 2014    | Jan. 08, 2015                   | Nov. 02, 2015 | Radiation (03CH07-HY) |
| EMI Test Receiver | Rohde & Schwarz | ESCI 7              | 100724                | 9kHz~7GHz          | Aug. 30, 2014    | Jan. 08, 2015                   | Aug. 29, 2015 | Radiation (03CH07-HY) |
| Signal Analyzer   | Rohde & Schwarz | FSV 30              | 101749                | 10Hz~30GHz         | Feb. 10, 2014    | Jan. 08, 2015                   | Feb. 09, 2015 | Radiation (03CH07-HY) |
| Controller        | ChainTek        | Chaintek 3000       | N/A                   | Control Turn table | N/A              | Jan. 08, 2015                   | N/A           | Radiation (03CH07-HY) |
| Controller        | Max-Full        | MF7802              | MF780208368           | Control Ant Mast   | N/A              | Jan. 08, 2015                   | N/A           | Radiation (03CH07-HY) |
| Turn Table        | ChainTek        | Chaintek 3000       | N/A                   | 0~360 degree       | N/A              | Jan. 08, 2015                   | N/A           | Radiation (03CH07-HY) |
| Antenna Mast      | Max-Full        | MFA520BS            | N/A                   | 1m~4m              | N/A              | Jan. 08, 2015                   | N/A           | Radiation (03CH07-HY) |
| Hygrometer        | Testo           | 608-H1              | 34897197              | N/A                | May. 06, 2014    | Jan. 08, 2015                   | May. 05, 2015 | Radiation (03CH07-HY) |
| RF Cable          | HUBER + SUHNER  | SUCOFLEX 104        | MY84209521            | 9KHz~1GHz          | Dec. 04, 2014    | Jan. 08, 2015                   | Dec. 03, 2015 | Radiation (03CH07-HY) |
| Filter            | Wainwright      | WHK20 /1000C7/40S S | SN2                   | 20M High Pass      | Oct. 01, 2014    | Jan. 08, 2015                   | Sep. 30, 2015 | Radiation (03CH07-HY) |
| Test Software     | N/A             | E3                  | 6.2009-8-24 (sporton) | N/A                | N/A              | Jan. 08, 2015                   | N/A           | Radiation (03CH07-HY) |

**Note:** Test equipment calibration is traceable to the procedure of ISO17025.



## Appendix A. Test Results of Conducted Emission Test

|                 |   |                |               |
|-----------------|---|----------------|---------------|
| Test Mode :     | NFC Tx  | Test Voltage : | 120Vac / 60Hz |
| Function Type : | GSM850 Idle + Bluetooth Link + WLAN Link + USB Cable (Charging from Adapter)<br>+ NFC Tx + Earphone |                |               |



### Final Result : Quasi-Peak

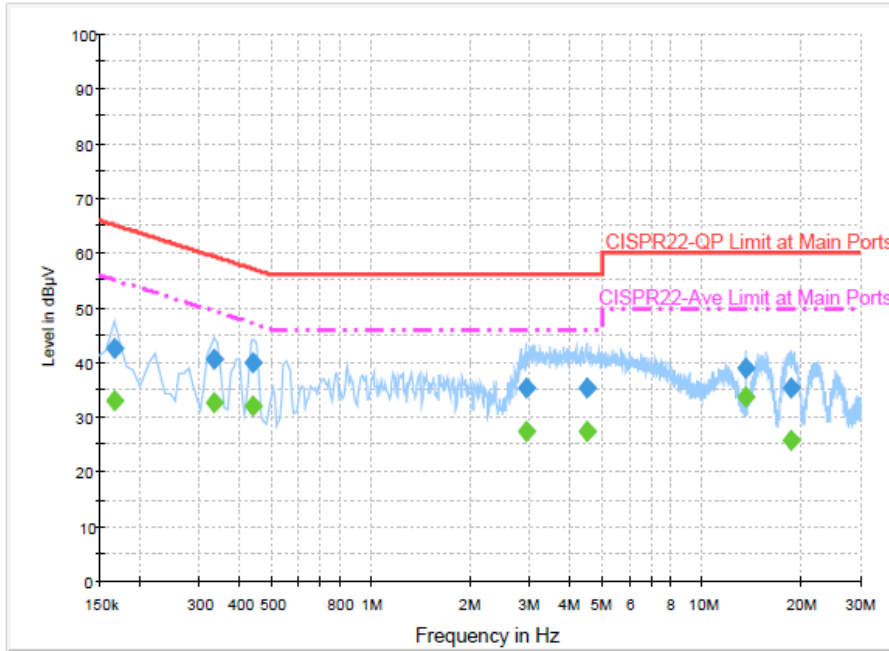
| Frequency (MHz) | Quasi-Peak (dBµV) | Filter | Line | Corr. (dB) | Margin (dB) | Limit (dBµV) |
|-----------------|-------------------|--------|------|------------|-------------|--------------|
| 0.150000        | 45.2              | Off    | L1   | 19.5       | 20.8        | 66.0         |
| 0.166000        | 46.4              | Off    | L1   | 19.4       | 18.8        | 65.2         |
| 0.222000        | 39.1              | Off    | L1   | 19.3       | 23.6        | 62.7         |
| 0.342000        | 39.3              | Off    | L1   | 19.5       | 19.9        | 59.2         |
| 0.438000        | 39.1              | Off    | L1   | 19.5       | 18.0        | 57.1         |
| 3.214000        | 35.5              | Off    | L1   | 19.6       | 20.5        | 56.0         |
| 4.590000        | 35.8              | Off    | L1   | 19.7       | 20.2        | 56.0         |
| 13.558000       | 37.1              | Off    | L1   | 19.9       | 22.9        | 60.0         |

### Final Result : Average

| Frequency (MHz) | Average (dBµV) | Filter | Line | Corr. (dB) | Margin (dB) | Limit (dBµV) |
|-----------------|----------------|--------|------|------------|-------------|--------------|
| 0.150000        | 24.2           | Off    | L1   | 19.5       | 31.8        | 56.0         |
| 0.166000        | 36.6           | Off    | L1   | 19.4       | 18.6        | 55.2         |
| 0.222000        | 30.1           | Off    | L1   | 19.3       | 22.6        | 52.7         |
| 0.342000        | 28.8           | Off    | L1   | 19.5       | 20.4        | 49.2         |
| 0.438000        | 32.9           | Off    | L1   | 19.5       | 14.2        | 47.1         |
| 3.214000        | 27.2           | Off    | L1   | 19.6       | 18.8        | 46.0         |
| 4.590000        | 28.0           | Off    | L1   | 19.7       | 18.0        | 46.0         |
| 13.558000       | 34.3           | Off    | L1   | 19.9       | 15.7        | 50.0         |



|                 |   |                |               |
|-----------------|---|----------------|---------------|
| Test Mode :     | NFC Tx  | Test Voltage : | 120Vac / 60Hz |
| Function Type : | GSM850 Idle + Bluetooth Link + WLAN Link + USB Cable (Charging from Adapter)<br>+ NFC Tx + Earphone |                |               |



**Final Result : Quasi-Peak**

| Frequency (MHz) | Quasi-Peak (dBµV) | Filter | Line | Corr. (dB) | Margin (dB) | Limit (dBµV) |
|-----------------|-------------------|--------|------|------------|-------------|--------------|
| 0.166000        | 42.6              | Off    | N    | 19.4       | 22.6        | 65.2         |
| 0.334000        | 40.7              | Off    | N    | 19.4       | 18.7        | 59.4         |
| 0.438000        | 40.0              | Off    | N    | 19.5       | 17.1        | 57.1         |
| 2.918000        | 35.2              | Off    | N    | 19.6       | 20.8        | 56.0         |
| 4.454000        | 35.3              | Off    | N    | 19.7       | 20.7        | 56.0         |
| 13.558000       | 39.0              | Off    | N    | 19.9       | 21.0        | 60.0         |
| 18.478000       | 35.2              | Off    | N    | 20.0       | 24.8        | 60.0         |

**Final Result : Average**

| Frequency (MHz) | Average (dBµV) | Filter | Line | Corr. (dB) | Margin (dB) | Limit (dBµV) |
|-----------------|----------------|--------|------|------------|-------------|--------------|
| 0.166000        | 33.1           | Off    | N    | 19.4       | 22.1        | 55.2         |
| 0.334000        | 32.8           | Off    | N    | 19.4       | 16.6        | 49.4         |
| 0.438000        | 32.0           | Off    | N    | 19.5       | 15.1        | 47.1         |
| 2.918000        | 27.3           | Off    | N    | 19.6       | 18.7        | 46.0         |
| 4.454000        | 27.4           | Off    | N    | 19.7       | 18.6        | 46.0         |
| 13.558000       | 33.8           | Off    | N    | 19.9       | 16.2        | 50.0         |
| 18.478000       | 25.9           | Off    | N    | 20.0       | 24.1        | 50.0         |



## Appendix B. Test Results of Conducted Test Items

### B.1 Test Result of 20dB Spectrum Bandwidth

| Test mode                    | NFC Tx                           | Test Frequency (MHz)       | 13.56              |
|------------------------------|----------------------------------|----------------------------|--------------------|
|                              |                                  |                            |                    |
| Date: 23.JAN.2015 17:00:29   |                                  | Date: 23.JAN.2015 16:47:48 |                    |
| <b>20dB Bandwidth (kHz)</b>  | 2.640                            | <b>99% OccupiedBW(kHz)</b> | 2.240              |
| <b>Frequency range (MHz)</b> | <b>f<sub>L</sub> &gt; 13.553</b> | 13.55910                   | <b>Test Result</b> |
|                              | <b>f<sub>H</sub> &lt; 13.567</b> | 13.56174                   | <b>Complies</b>    |



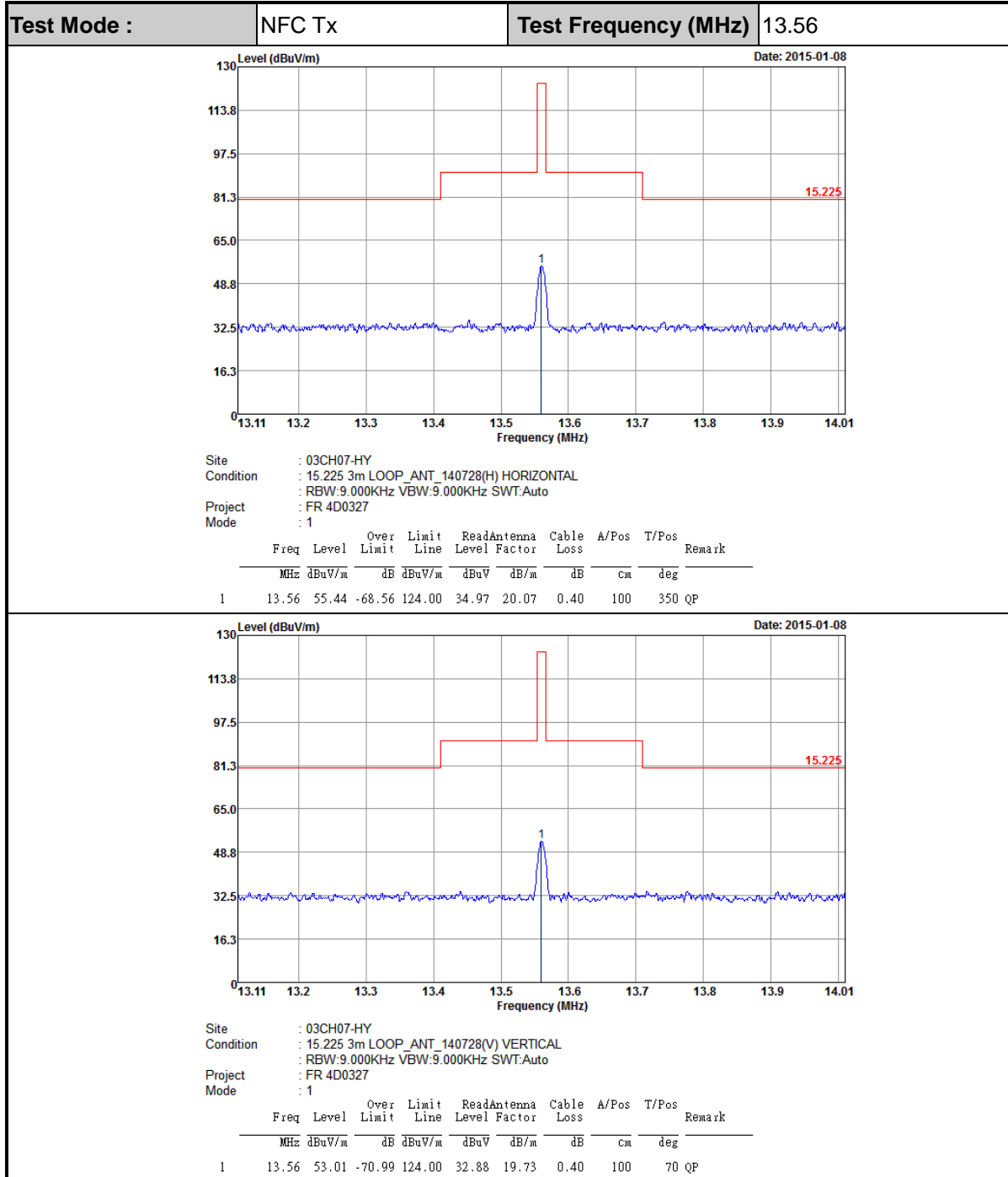
B.2 Test Result of Frequency Stability

| Voltage vs. Frequency Stability |                             | Temperature vs. Frequency Stability |                             |
|---------------------------------|-----------------------------|-------------------------------------|-----------------------------|
| Voltage (Vac)                   | Measurement Frequency (MHz) | Temperature (°C)                    | Measurement Frequency (MHz) |
| 120                             | 13.560420                   | -20                                 | 13.560550                   |
| 102                             | 13.560420                   | -10                                 | 13.560550                   |
| 138                             | 13.560420                   | 0                                   | 13.560540                   |
|                                 |                             | 10                                  | 13.560500                   |
|                                 |                             | 20                                  | 13.560480                   |
|                                 |                             | 30                                  | 13.560460                   |
|                                 |                             | 40                                  | 13.560420                   |
|                                 |                             | 50                                  | 13.560400                   |
| <b>Max.Deviation (MHz)</b>      | 0.000420                    | <b>Max.Deviation (MHz)</b>          | 0.000550                    |
| <b>Max.Deviation (ppm)</b>      | 30.9735                     | <b>Max.Deviation (ppm)</b>          | 40.5605                     |
| <b>Limit</b>                    | <b>FS &lt; ±100 ppm</b>     | <b>Limit</b>                        | <b>FS &lt; ±100 ppm</b>     |
| <b>Test Result</b>              | <b>PASS</b>                 | <b>Test Result</b>                  | <b>PASS</b>                 |



# Appendix C. Test Results of Radiated Test Items

## C.1 Test Result of Field Strength of Fundamental Emissions



**Note:** All NFC's spurious emissions are below 20dB of limits.



C.2 Results of Radiated Emissions (9 kHz~30MHz)

| Test Mode :          |                     | NFC Tx                  |                             |                           | Polarization :              |                         | Horizontal           |                         |         |
|----------------------|---------------------|-------------------------|-----------------------------|---------------------------|-----------------------------|-------------------------|----------------------|-------------------------|---------|
| Frequency<br>( MHz ) | Level<br>( dBμV/m ) | Over<br>Limit<br>( dB ) | Limit<br>Line<br>( dBμV/m ) | Read<br>Level<br>( dBμV ) | Antenna<br>Factor<br>( dB ) | Cable<br>Loss<br>( dB ) | Ant<br>Pos<br>( cm ) | Table<br>Pos<br>( deg ) | Remark  |
| 0.05414              | 35.19               | -77.74                  | 112.93                      | 14.89                     | 20.01                       | 0.29                    | -                    | -                       | Average |
| 0.08481              | 22.39               | -86.65                  | 109.04                      | 2.14                      | 19.96                       | 0.29                    | -                    | -                       | Average |
| 0.10828              | 26.86               | -80.05                  | 106.91                      | 6.61                      | 19.96                       | 0.29                    | -                    | -                       | QP      |
| 0.13832              | 20.35               | -84.44                  | 104.79                      | 0.12                      | 19.94                       | 0.29                    | -                    | -                       | Average |
| 0.4492               | 39.17               | -55.39                  | 94.56                       | 19                        | 19.88                       | 0.29                    | -                    | -                       | Average |
| 0.50502              | 39.56               | -33.98                  | 73.54                       | 19.39                     | 19.88                       | 0.29                    | -                    | -                       | QP      |
| 11.328               | 35.55               | -34.45                  | 70                          | 15.1                      | 20.06                       | 0.39                    | -                    | -                       | QP      |
| 13.56                | 55.59               | -14.41                  | 70                          | 35.12                     | 20.07                       | 0.4                     | -                    | -                       | QP      |
| 20.068               | 37.43               | -32.57                  | 70                          | 16.56                     | 20.44                       | 0.43                    | 100                  | 245                     | QP      |
| 27.225               | 35.8                | -34.2                   | 70                          | 14.64                     | 20.68                       | 0.48                    | -                    | -                       | QP      |





| Test Mode :          | NFC Tx              |                         |                             | Polarization :          | Vertical                    |                         |                      |                         |         |
|----------------------|---------------------|-------------------------|-----------------------------|-------------------------|-----------------------------|-------------------------|----------------------|-------------------------|---------|
| Frequency<br>( MHz ) | Level<br>( dBμV/m ) | Over<br>Limit<br>( dB ) | Limit<br>Line<br>( dBμV/m ) | Read<br>Level<br>(dBμV) | Antenna<br>Factor<br>( dB ) | Cable<br>Loss<br>( dB ) | Ant<br>Pos<br>( cm ) | Table<br>Pos<br>( deg ) | Remark  |
| 0.05419              | 31.39               | -81.54                  | 112.93                      | 11.07                   | 20.03                       | 0.29                    | -                    | -                       | Average |
| 0.08652              | 22.35               | -86.51                  | 108.86                      | 2.07                    | 19.99                       | 0.29                    | -                    | -                       | Average |
| 0.10838              | 24.12               | -82.79                  | 106.91                      | 3.84                    | 19.99                       | 0.29                    | -                    | -                       | QP      |
| 0.1422               | 21.12               | -83.43                  | 104.55                      | 0.88                    | 19.95                       | 0.29                    | -                    | -                       | Average |
| 0.2605               | 40.23               | -59.06                  | 99.29                       | 20.02                   | 19.92                       | 0.29                    | -                    | -                       | Average |
| 0.51253              | 38.28               | -35.13                  | 73.41                       | 18.07                   | 19.9                        | 0.31                    | -                    | -                       | QP      |
| 9.288                | 35.35               | -34.65                  | 70                          | 15.16                   | 19.81                       | 0.38                    | -                    | -                       | QP      |
| 13.56                | 53.82               | -16.18                  | 70                          | 33.69                   | 19.73                       | 0.4                     | -                    | -                       | QP      |
| 21.274               | 37.95               | -32.05                  | 70                          | 17.5                    | 20.02                       | 0.43                    | 100                  | 147                     | QP      |
| 26.56                | 35.76               | -34.24                  | 70                          | 15.19                   | 20.09                       | 0.48                    | -                    | -                       | QP      |

**Note:**

1. 13.56 MHz is fundamental signal which can be ignored.
2. The amplitude of spurious emissions which are attenuated by more than 20dB below the permissible value has no need to be reported.
3. Distance extrapolation factor =  $40 \log (\text{specific distance} / \text{test distance})$  (dB);
4. Limit line = specific limits (dBμV) + distance extrapolation factor.



C.3 Results of Radiated Emissions (30MHz~1GHz)

|             |        |                |            |
|-------------|--------|----------------|------------|
| Test Mode : | NFC Tx | Polarization : | Horizontal |
|-------------|--------|----------------|------------|

| Frequency<br>( MHz ) | Level<br>( dBμV/m ) | Over<br>Limit<br>( dB ) | Limit<br>Line<br>( dBμV/m ) | Read<br>Level<br>( dBμV ) | Antenna<br>Factor<br>( dB ) | Cable<br>Loss<br>( dB ) | Ant<br>Pos<br>( cm ) | Table<br>Pos<br>( deg ) | Remark |
|----------------------|---------------------|-------------------------|-----------------------------|---------------------------|-----------------------------|-------------------------|----------------------|-------------------------|--------|
| 49.44                | 12.63               | -27.37                  | 40                          | 33.31                     | 8.75                        | 1.77                    | -                    | -                       | Peak   |
| 160.95               | 12.36               | -31.14                  | 43.5                        | 30.58                     | 10.36                       | 2.61                    | -                    | -                       | Peak   |
| 237.9                | 14.98               | -31.02                  | 46                          | 31.96                     | 11.06                       | 2.96                    | -                    | -                       | Peak   |
| 493.2                | 21.45               | -24.55                  | 46                          | 30.41                     | 17.94                       | 3.77                    | -                    | -                       | Peak   |
| 629.7                | 24.11               | -21.89                  | 46                          | 30.05                     | 20.38                       | 4.22                    | -                    | -                       | Peak   |
| 838.3                | 27.94               | -18.06                  | 46                          | 30.5                      | 23.12                       | 4.7                     | 132                  | 214                     | Peak   |

|             |        |                |          |
|-------------|--------|----------------|----------|
| Test Mode : | NFC Tx | Polarization : | Vertical |
|-------------|--------|----------------|----------|

| Frequency<br>( MHz ) | Level<br>( dBμV/m ) | Over<br>Limit<br>( dB ) | Limit<br>Line<br>( dBμV/m ) | Read<br>Level<br>( dBμV ) | Antenna<br>Factor<br>( dB ) | Cable<br>Loss<br>( dB ) | Ant<br>Pos<br>( cm ) | Table<br>Pos<br>( deg ) | Remark |
|----------------------|---------------------|-------------------------|-----------------------------|---------------------------|-----------------------------|-------------------------|----------------------|-------------------------|--------|
| 102.9                | 12.4                | -31.1                   | 43.5                        | 30.69                     | 10.46                       | 2.38                    | -                    | -                       | Peak   |
| 172.29               | 11.83               | -31.67                  | 43.5                        | 30.82                     | 9.46                        | 2.61                    | -                    | -                       | Peak   |
| 253.29               | 16.24               | -29.76                  | 46                          | 31.4                      | 12.88                       | 2.96                    | -                    | -                       | Peak   |
| 437.2                | 19.91               | -26.09                  | 46                          | 30.02                     | 16.97                       | 3.63                    | -                    | -                       | Peak   |
| 620.6                | 23.45               | -22.55                  | 46                          | 29.57                     | 20.22                       | 4.22                    | -                    | -                       | Peak   |
| 881.7                | 27.75               | -18.25                  | 46                          | 30.53                     | 22.9                        | 4.66                    | 125                  | 147                     | Peak   |

Note:

1. The amplitude of spurious emissions which are attenuated by more than 20dB below the permissible value has no need to be reported.
2. Emission level (dBμV/m) = 20 log Emission level (μV/m).
3. Corrected Reading: Antenna Factor + Cable Loss + Read Level - Preamp Factor= Level.