



# FCC RF Test Report

**APPLICANT** : Sony Mobile Communications Inc  
**EQUIPMENT** : PDA Phone  
**BRAND NAME** : Sony  
**TYPE NAME** : PM-0787-BV  
**FCC ID** : PY7-PM0787  
**STANDARD** : 47 CFR Part 2, 22(H), 27  
**CLASSIFICATION** : PCS Licensed Transmitter Held to Ear (PCE)

This is a partial report which is included the conducted power and radiated test items. The product was received on Dec. 04, 2014 and completely tested on Mar. 23, 2015. We, SPORTON INTERNATIONAL INC., would like to declare that the tested sample has been evaluated in accordance with the test procedures given in ANSI / TIA / EIA-603-C-2004 and the testing has shown the tested sample to be in compliance with the applicable technical standards.

The test results in this report apply exclusively to the tested model / sample. Without written approval of SPORTON INTERNATIONAL INC., the test report shall not be reproduced except in full.

Reviewed by: Joseph Lin / Supervisor

Approved by: Jones Tsai / Manager



## SPORTON INTERNATIONAL INC.

No. 52, Hwa Ya 1st Rd., Hwa Ya Technology Park, Kwei-Shan District, Tao Yuan City, Taiwan, R.O.C.

SPORTON INTERNATIONAL INC.  
TEL : 886-3-327-3456  
FAX : 886-3-328-4978  
FCC ID : PY7-PM0787

Page Number : 1 of 17  
Report Issued Date : Mar. 30, 2015  
Report Version : Rev. 01  
Report Template No.: BU5-FGLTE Version 1.3



TABLE OF CONTENTS

REVISION HISTORY.....3
SUMMARY OF TEST RESULT .....4
1 GENERAL DESCRIPTION .....5
1.1 Applicant .....5
1.2 Manufacturer.....5
1.3 Product Feature of Equipment Under Test.....5
1.4 Product Specification subjective to this standard .....7
1.5 Modification of EUT .....7
1.6 Testing Location .....8
1.7 Applicable Standards.....8
2 TEST CONFIGURATION OF EQUIPMENT UNDER TEST .....9
2.1 Test Mode .....9
2.2 Connection Diagram of Test System.....10
2.3 Support Unit used in test configuration and system .....10
3 CONDUCTED TEST ITEMS .....11
3.1 Measuring Instruments .....11
3.2 Test Setup .....11
3.3 Test Result of Conducted Test .....11
3.4 Conducted Output Power and ERP/EIRP .....11
4 RADIATED TEST ITEMS .....12
4.1 Measuring Instruments .....12
4.2 Test Setup .....12
4.3 Test Result of Radiated Test .....13
4.4 Radiated Spurious Emission .....13
5 LIST OF MEASURING EQUIPMENT .....15
6 UNCERTAINTY OF EVALUATION .....17
APPENDIX A. TEST RESULTS OF CONDUCTED TEST
APPENDIX B. TEST RESULTS OF RADIATED TEST





### SUMMARY OF TEST RESULT

Report Section	FCC Rule	Description	Limit	Result	Remark
3.4	§2.1046	Conducted Output Power	Reporting Only	PASS	-
4.4	§2.1053 §22.917(a)	Radiated Spurious Emission	$< 43+10\log_{10}(P[\text{Watts}])$	PASS	Under limit 14.31 dB at 7692.000 MHz
	§2.1053 §27.53(m)(4)	Radiated Spurious Emission	$< 55+10\log_{10}(P[\text{Watts}])$		



# 1 General Description

## 1.1 Applicant

Sony Mobile Communications Inc  
Nya Vattentorget 22188 Lund/Sweden

## 1.2 Manufacturer

Sony Mobile Communications Inc  
Nya Vattentorget 22188 Lund/Sweden

## 1.3 Product Feature of Equipment Under Test

The Equipment Under Test (hereafter called: EUT) is PDA Phone supporting, GSM / WCDMA / LTE, Wi-Fi 2.4GHz 802.11b/g/n, 5GHz 802.11a/n, Bluetooth with FM Receiver, GPS, ANT+, and NFC features, and below is details of information.

Product Feature	
Equipment	PDA Phone
Brand Name	Sony
Type Name	PM-0787-BV
FCC ID	PY7-PM0787
GSM Operating Band(s)	GSM 850/900/1800/1900MHz
GPRS / EGPRS Multi Slot Class	GPRS Class 33, EGPRS Class 33
WCDMA Operating Band(s)	FDD Band I / II / V / VIII
WCDMA Rel. Version	Rel. 8
LTE Operating Band(s)	FDD Band I / III / V / VII / VIII / XXVIII TDD Band XL
LTE Rel. Version	Rel. 10
Wi-Fi Specification	802.11b/g/n HT20 802.11a/n HT20 / HT40
Bluetooth Version	v3.0 + EDR / v4.0-LE
NFC Specification	ISO14443A / ISO14443B / Felica / ISO15693
ANT+	ANT+
Power Supply	Battery / AC Adapter / Car Charger

**Remark:** The above EUT's information was declared by manufacturer. Please refer to the specifications or user's manual for more detailed description.



EUT Information List				
IMEI	HW Version	SW Version	S/N	Performed Test Item
IMEI 1: 004402454036975 IMEI 2: 004402454036967	AP	26.1.B.1.23	YT9111CG76	RF conducted measurement Radiated Spurious Emission

Accessory List	
<b>AC Adapter</b>	Model No. : EP800
	Type No. : AC-0030-US
	S/N : 3114W44203131
<b>Battery</b>	Model No. : Bellis
<b>Earphone</b>	Model No. : MH410c
	Type No. : AG-1100
	S/N : 12431A1A00118E8
<b>USB Cable 1</b>	Model No. : EC450
	Type No. : AI-0700
	S/N : 142412DF3337518
<b>USB Cable 2</b>	Model No. : AA9
	Type No. : N/A

**Note:**

1. Above EUT list and accessory list used are electrically identical per declared by manufacturer.
2. Above the accessories list are used to exercise the EUT during test.
3. For other wireless features of this EUT, test report will be issued separately.



### 1.4 Product Specification subjective to this standard

Product Specification subjective to this standard	
<b>Tx Frequency</b>	LTE Band 5 : 824.7 MHz ~ 848.3 MHz LTE Band 7 : 2502.5 MHz ~ 2567.5 MHz
<b>Rx Frequency</b>	LTE Band 5 : 869.7 MHz ~ 893.3 MHz LTE Band 7 : 2622.5MHz ~ 2687.5 MHz
<b>Bandwidth</b>	LTE Band 5 : 1.4MHz / 3MHz / 5MHz / 10MHz LTE Band 7 : 5MHz/ 10MHz / 15MHz / 20MHz
<b>Maximum Output Power to Antenna</b>	LTE Band 5 : 24.67 dBm LTE Band 7 : 22.58 dBm
<b>Antenna Gain</b>	LTE Band 5 : -0.80 dBi LTE Band 7 : 3.59 dBi
<b>Type of Modulation</b>	QPSK / 16QAM

### 1.5 Modification of EUT

No modifications are made to the EUT during all test items.



### 1.6 Testing Location

Sporton Lab is accredited to ISO 17025 by Taiwan Accreditation Foundation (TAF code : 1190) and the FCC designation No. TW1022 under the FCC 2.948(e) by Mutual Recognition Agreement (MRA) in FCC Test.

<b>Test Site</b>	SPORTON INTERNATIONAL INC.
<b>Test Site Location</b>	No. 52, Hwa Ya 1 <sup>st</sup> Rd., Hwa Ya Technology Park, Kwei-Shan District, Tao Yuan City, Taiwan, R.O.C. TEL: +886-3-327-3456 FAX: +886-3-328-4978
<b>Test Site No.</b>	<b>Sporton Site No.</b>
	TH02-HY

<b>Test Site</b>	SPORTON INTERNATIONAL INC.
<b>Test Site Location</b>	No.58, Aly. 75, Ln. 564, Wenhua 3rd Rd. Kwei-Shan District, Tao Yuan City, Taiwan (R.O.C.) TEL: +886-3-327-0855
<b>Test Site No.</b>	<b>Sporton Site No.</b>
	03CH10-HY

### 1.7 Applicable Standards

According to the specifications of the manufacturer, the EUT must comply with the requirements of the following standards:

- ♦ 47 CFR Part 2, 22(H), 27
- ♦ ANSI / TIA / EIA-603-C-2004
- ♦ FCC KDB 971168 D01 Power Meas. License Digital Systems v02r02

**Remark:**

1. All test items were verified and recorded according to the standards and without any deviation during the test.
2. This EUT has also been tested and complied with the requirements of FCC Part 15, Subpart B, recorded in a separate test report.





## 2 Test Configuration of Equipment Under Test

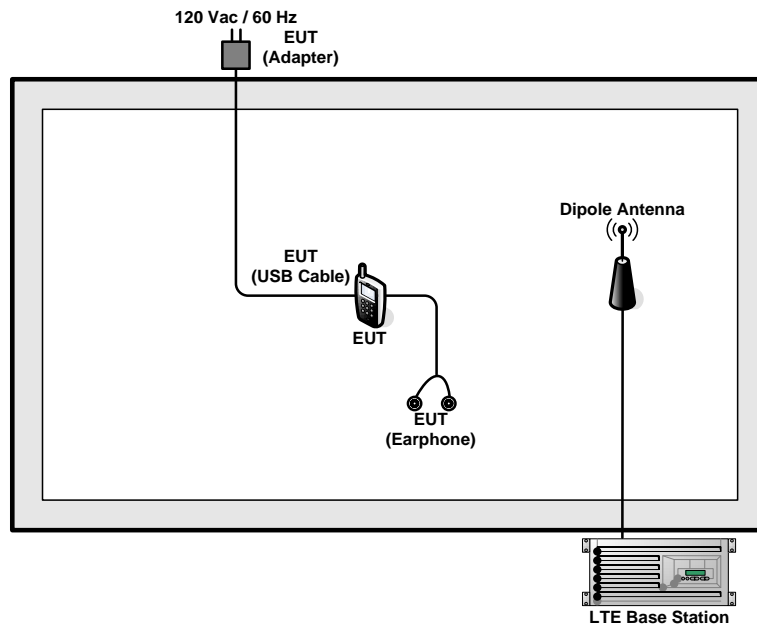
### 2.1 Test Mode

Antenna port conducted and radiated test items listed below are performed according to KDB 971168 D01 Power Meas. License Digital Systems v02r02 with maximum output power.

Radiated measurements are performed by rotating the EUT in three different orthogonal test planes to find the maximum emission.

Test Items	Band	Bandwidth (MHz)						Modulation		RB #			Test Channel		
		1.4	3	5	10	15	20	QPSK	16QAM	1	Half	Full	L	M	H
Radiated Spurious Emission	5			v		-	-	v		v			v	v	v
	7	-	-	v				v		v			v	v	v
Note	<ol style="list-style-type: none"> <li>The mark "v" means that this configuration is chosen for testing</li> <li>The mark "-" means that this bandwidth is not supported.</li> <li>The device is investigated from 30MHz to 10 times of fundamental signal for radiated spurious emission test under different RB size/offset and modulations in exploratory test. Subsequently, only the worst case emissions are reported.</li> </ol>														

## 2.2 Connection Diagram of Test System



## 2.3 Support Unit used in test configuration and system

Item	Equipment	Trade Name	Model No.	FCC ID	Data Cable	Power Cord
1.	System Simulator	Anritsu	MT8820C	N/A	N/A	Unshielded, 1.8 m

### 3 Conducted Test Items

#### 3.1 Measuring Instruments

See list of measuring instruments of this test report.

#### 3.2 Test Setup

##### 3.2.1 Conducted Output Power



#### 3.3 Test Result of Conducted Test

Please refer to Appendix A.

#### 3.4 Conducted Output Power and ERP/EIRP

##### 3.4.1 Description of the Conducted Output Power Measurement

A system simulator was used to establish communication with the EUT. Its parameters were set to force the EUT transmitting at maximum output power. The measured power in the radio frequency on the transmitter output terminals shall be reported.

##### 3.4.2 Test Procedures

1. The transmitter output port was connected to the system simulator.
2. Set EUT at maximum power through the system simulator.
3. Select lowest, middle, and highest channels for each band and different modulation.
4. Measure and record the power level from the system simulator.

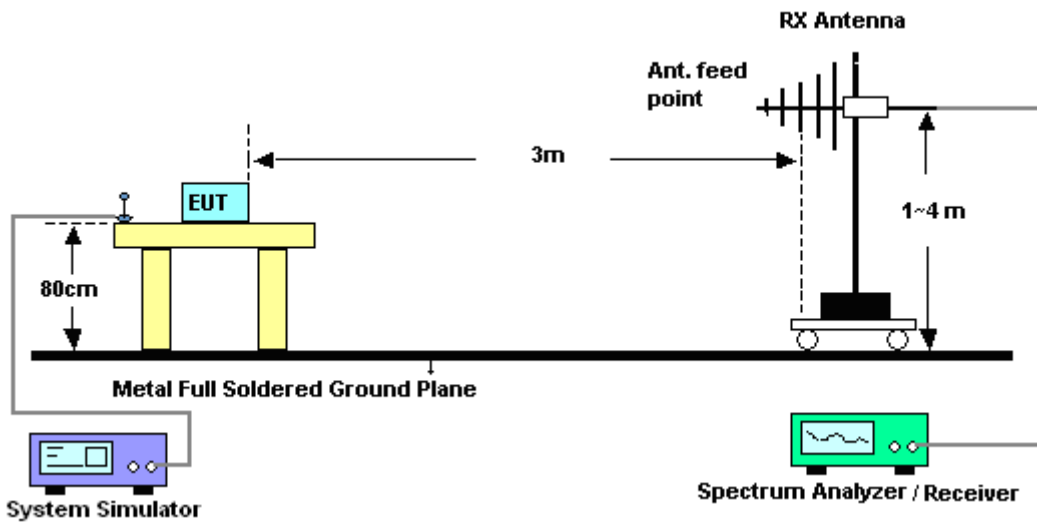
## 4 Radiated Test Items

### 4.1 Measuring Instruments

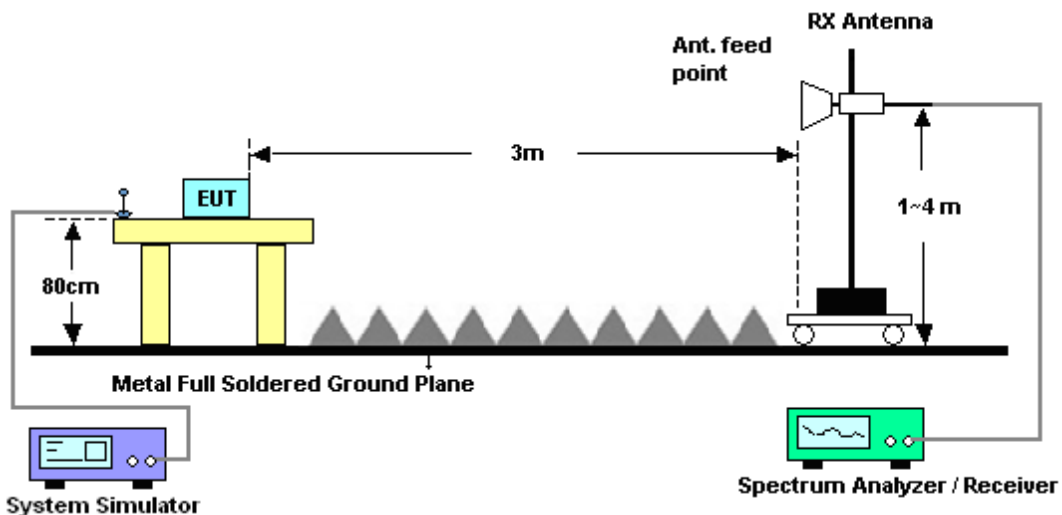
See list of measuring instruments of this test report.

### 4.2 Test Setup

#### 4.2.1 For radiated test from 30MHz to 1GHz



#### 4.2.2 For radiated test above 1GHz





## **4.3 Test Result of Radiated Test**

Please refer to Appendix B.

## **4.4 Radiated Spurious Emission**

### **4.4.1 Description of Radiated Spurious Emission**

The radiated spurious emission was measured by substitution method according to ANSI / TIA / EIA-603-C-2004. The power of any emission outside of the authorized operating frequency ranges must be attenuated below the transmitter power (P) by a factor of at least  $43 + 10 \log (P)$  dB.

For Band 7

The power of any emission outside of the authorized operating frequency ranges must be attenuated below the transmitter power (P) by a factor of at least  $55 + 10 \log (P)$  dB.

The spectrum is scanned from 30 MHz up to a frequency including its 10th harmonic.



#### 4.4.2 Test Procedures

1. The testing follows FCC KDB 971168 v02r02 Section 5.8 and ANSI / TIA-603-C-2004 Section 2.2.12.
2. The EUT was placed on a rotatable wooden table with 0.8 meter above ground.
3. The EUT was set 3 meters from the receiving antenna, which was mounted on the antenna tower.
4. The table was rotated 360 degrees to determine the position of the highest spurious emission.
5. The height of the receiving antenna is varied between one meter and four meters to search the maximum spurious emission for both horizontal and vertical polarizations.
6. Make the measurement with the spectrum analyzer's RBW = 1MHz, VBW = 3MHz, taking the record of maximum spurious emission.
7. A horn antenna was substituted in place of the EUT and was driven by a signal generator.
8. Tune the output power of signal generator to the same emission level with EUT maximum spurious emission.
9. Taking the record of output power at antenna port.
10. Repeat step 7 to step 8 for another polarization.
11. The RF fundamental frequency should be excluded against the limit line in the operating frequency band.

The limit line is derived from  $43 + 10\log(P)$ dB below the transmitter power P(Watts)  
= P(W)- [43 + 10log(P)] (dB)  
= [30 + 10log(P)] (dBm) - [43 + 10log(P)] (dB)  
= -13dBm.

For Band 7:

The limit line is derived from  $55 + 10\log(P)$ dB below the transmitter power P(Watts)

12. EIRP (dBm) = S.G. Power – Tx Cable Loss + Tx Antenna Gain
13. ERP (dBm) = EIRP - 2.15



## 5 List of Measuring Equipment

Instrument	Manufacturer	Model No.	Serial No.	Characteristics	Calibration Date	Test Date	Due Date	Remark
LTE Base Station	Anritsu	MT8820C	6201026480	30MHz~2.7GHz SISO	Jan. 08, 2015	Mar. 07, 2015 ~ Mar. 18, 2015	Jan. 07, 2016	Conducted (TH02-HY)
Hygrometer	Testo	608-H1	34897199	N/A	May. 06, 2014	Mar. 07, 2015 ~ Mar. 18, 2015	May. 05, 2015	Conducted (TH02-HY)
RF cable	WOKEN	S05	S05-130708-038	N/A	Jan. 21, 2015	Mar. 07, 2015 ~ Mar. 18, 2015	Jan. 20, 2016	Conducted (TH02-HY)
Preamplifier	Keysight	83017A	MY53270078	1GHz~26.5GHz	Nov. 20, 2014	Mar. 23, 2015	Nov. 19, 2015	Radiation (03CH10-HY)
Amplifier	SONOMA	310N	187311	0.1MHz~1000MHz	Nov. 24, 2014	Mar. 23, 2015	Nov. 23, 2015	Radiation (03CH10-HY)
Preamplifier	MITEQ	JS44-18004000-33-8P	1840917	18GHz ~ 40GHz	Jun. 09, 2014	Mar. 23, 2015	Jun. 08, 2015	Radiation (03CH10-HY)
Bilog Antenna	TESEQ	CBL 6111D	35413	30MHz~1GHz	Oct. 24, 2014	Mar. 23, 2015	Oct. 23, 2015	Radiation (03CH10-HY)
Double Ridged Guide Horn	SCHWARZBECK	BBHA 9120D	9120D-1325	1GHz ~ 18GHz	Oct. 03, 2014	Mar. 23, 2015	Oct. 02, 2015	Radiation (03CH10-HY)
Horn Antenna	SCHWARZBECK	BBHA 9170	BBHA9170584	18GHz- 40GHz	Nov. 03, 2014	Mar. 23, 2015	Nov. 02, 2015	Radiation (03CH10-HY)
Spectrum Analyzer	Keysight	N9010A	MY54200485	10Hz ~ 44GHZ	Oct. 14, 2014	Mar. 23, 2015	Oct. 13, 2015	Radiation (03CH10-HY)
EMI Test Receiver	Keysight	N9038A	MY54130085	20Hz ~ 26.5GHz	Nov. 05, 2014	Mar. 23, 2015	Nov. 04, 2015	Radiation (03CH10-HY)
Controller	EMEC	EM 1000	N/A	Control Turn table & Ant Mast	N/A	Mar. 23, 2015	N/A	Radiation (03CH10-HY)
Turn Table	EMEC	TT 2200	N/A	0-360 degree	N/A	Mar. 23, 2015	N/A	Radiation (03CH10-HY)
Antenna Mast	EMEC	AM-BS-4500-B	N/A	1~4m	N/A	Mar. 23, 2015	N/A	Radiation (03CH10-HY)
Hygrometer	TECPEL	DTM-303B	TP140320	N/A	Nov. 17, 2014	Mar. 23, 2015	Nov. 16, 2015	Radiation (03CH10-HY)
RF Cable	HUBER + SUHNER	SUCOFLEX 104	MY24956/4 MY24952/4MY	25GHz~40GHz	Nov. 06, 2014	Mar. 23, 2015	Nov. 05, 2015	Radiation (03CH10-HY)
RF Cable	HUBER + SUHNER	SUCOFLEX 104	MY24956/4 MY24952/4MY	30MHz~1GHz	Nov. 06, 2014	Mar. 23, 2015	Nov. 05, 2015	Radiation (03CH10-HY)
RF Cable	HUBER + SUHNER	SUCOFLEX 104	MY24956/4 MY24952/4MY	1GHz~25GHz	Nov. 06, 2014	Mar. 23, 2015	Nov. 05, 2015	Radiation (03CH10-HY)
Notch Filter	Wainwright	WRCG 824/849/814	SN35	850	Oct. 01, 2014	Mar. 23, 2015	Sep. 30, 2015	Radiation (03CH10-HY)
Notch Filter	Wainwright	WRCT1850/1910-40/8S	SN21	1900	Oct. 01, 2014	Mar. 23, 2015	Sep. 30, 2015	Radiation (03CH10-HY)



Instrument	Manufacturer	Model No.	Serial No.	Characteristics	Calibration Date	Test Date	Due Date	Remark
Notch Filter	Wainwright	WRCT2500/ 2570-10/40-	SN1 R	LTE Band7	Oct. 01, 2014	Mar. 23, 2015	Sep. 30, 2015	Radiation (03CH10-HY)
Filter	Microwave Circuits	H1G013G1	SN477215	1GHz HPF	Oct. 01, 2014	Mar. 23, 2015	Sep. 30, 2015	Radiation (03CH10-HY)
Filter	Wainwright Instruments	WLKS1200- 8SS	SN3	1.2GHz LPF	Oct. 01, 2014	Mar. 23, 2015	Sep. 30, 2015	Radiation (03CH10-HY)
Filter	Microwave Circuits	H3G018G1	SN477220	3GHz HPF	Oct. 01, 2014	Mar. 23, 2015	Sep. 30, 2015	Radiation (03CH10-HY)
Test Software	Audix	E3	Version 6.2009-8-24	N/A	N/A	Mar. 23, 2015	N/A	Radiation (03CH10-HY)





## 6 Uncertainty of Evaluation

### Uncertainty of Radiated Emission Measurement (30 MHz ~ 1000 MHz)

Measuring Uncertainty for a Level of Confidence of 95% ( $U = 2Uc(y)$ )	2.54
---	------



## **Appendix A. Test Results of Conducted Test**

### **Conducted Output Power(Average power)**



LTE Band 5 Maximum Average Power [dBm]						
BW [MHz]	RB Size	RB Offset	Mod	Lowest	Middle	Highest
1.4	1	0	QPSK	24.24	24.34	24.28
1.4	1	2		24.45	24.48	24.35
1.4	1	5		24.22	24.30	24.22
1.4	3	0		24.25	24.33	24.49
1.4	3	1		24.49	24.32	24.52
1.4	3	2		24.45	24.34	24.47
1.4	6	0		23.42	23.31	23.48
1.4	1	0	16-QAM	23.75	23.87	23.93
1.4	1	2		23.55	23.94	23.89
1.4	1	5		23.66	23.87	23.82
1.4	3	0		23.45	23.42	23.69
1.4	3	1		23.51	23.45	23.66
1.4	3	2		23.57	23.38	23.46
1.4	6	0		22.10	22.15	22.11
3	1	0	QPSK	24.30	24.41	24.42
3	1	7		24.50	24.48	24.49
3	1	14		24.18	24.12	24.42
3	8	0		23.43	23.42	23.45
3	8	4		23.41	23.37	23.49
3	8	7		23.40	23.43	23.48
3	15	0		23.33	23.47	23.37
3	1	0	16-QAM	23.80	23.97	23.63
3	1	7		23.95	23.93	23.72
3	1	14		23.74	23.32	23.63
3	8	0		22.51	22.61	22.22
3	8	4		22.53	22.47	22.18
3	8	7		22.65	22.53	22.29
3	15	0		22.52	22.64	22.29



LTE Band 5 Maximum Average Power [dBm]						
BW [MHz]	RB Size	RB Offset	Mod	Lowest	Middle	Highest
5	1	0	QPSK	24.48	24.11	24.27
5	1	12		24.41	24.32	24.35
5	1	24		24.17	24.24	24.08
5	12	0		23.34	23.40	23.36
5	12	6		23.29	23.46	23.31
5	12	11		23.24	23.36	23.30
5	25	0		23.32	23.45	23.32
5	1	0	16-QAM	23.64	23.57	23.89
5	1	12		23.60	23.22	23.11
5	1	24		23.09	23.06	23.40
5	12	0		22.37	22.36	22.33
5	12	6		22.42	22.26	22.29
5	12	11		22.40	22.14	22.22
5	25	0		22.56	22.28	22.60
10	1	0	QPSK	24.29	24.67	24.55
10	1	24		24.53	24.19	24.57
10	1	49		24.25	24.25	24.50
10	25	0		23.40	23.39	23.44
10	25	12		23.36	23.39	23.32
10	25	24		23.26	23.35	23.31
10	50	0		23.31	23.40	23.36
10	1	0	16-QAM	23.52	23.76	23.66
10	1	24		23.27	23.62	23.62
10	1	49		23.46	23.82	23.78
10	25	0		22.70	22.77	22.58
10	25	12		22.57	22.48	22.38
10	25	24		22.54	22.29	22.29
10	50	0		22.50	22.26	22.32



LTE Band 7 Maximum Average Power [dBm]						
BW [MHz]	RB Size	RB Offset	Mod	Lowest	Middle	Highest
5	1	0	QPSK	22.29	22.10	21.98
5	1	12		22.22	22.13	22.27
5	1	24		22.19	22.26	22.23
5	12	0		21.43	21.04	21.26
5	12	6		21.37	21.09	21.35
5	12	11		21.28	21.10	21.21
5	25	0		21.27	21.13	21.28
5	1	0	16-QAM	21.87	21.42	21.87
5	1	12		21.65	21.66	21.95
5	1	24		21.36	21.47	21.80
5	12	0		20.34	20.10	20.30
5	12	6		20.53	20.35	20.19
5	12	11		20.09	19.97	20.19
5	25	0		20.27	20.13	20.27
10	1	0	QPSK	22.52	22.24	22.27
10	1	24		22.34	22.20	22.34
10	1	49		22.10	22.17	22.16
10	25	0		21.35	21.17	21.18
10	25	12		21.33	21.15	21.28
10	25	24		21.26	21.16	21.22
10	50	0		21.34	21.17	21.20
10	1	0	16-QAM	21.77	21.42	21.47
10	1	24		21.87	21.54	21.82
10	1	49		21.86	21.74	21.81
10	25	0		20.64	20.49	20.34
10	25	12		20.68	20.46	20.22
10	25	24		20.60	20.39	20.43
10	50	0		20.21	20.13	20.29



LTE Band 7 Maximum Average Power [dBm]						
BW [MHz]	RB Size	RB Offset	Mod	Lowest	Middle	Highest
15	1	0	QPSK	22.42	22.24	22.33
15	1	37		22.17	22.15	22.15
15	1	74		22.31	22.15	22.18
15	36	0		21.44	21.29	21.36
15	36	18		21.32	21.15	21.23
15	36	37		21.30	21.14	21.28
15	75	0		21.32	21.22	21.25
15	1	0	16-QAM	21.98	21.95	21.91
15	1	37		21.95	21.97	21.94
15	1	74		21.88	21.38	21.85
15	36	0		20.32	20.21	20.15
15	36	18		20.24	20.17	20.15
15	36	37		20.13	20.04	20.10
15	75	0		20.33	20.07	20.34
20	1	0	QPSK	22.54	22.58	22.50
20	1	49		22.44	22.55	22.48
20	1	99		22.27	22.40	22.49
20	50	0		21.35	21.28	21.33
20	50	24		21.25	21.18	21.28
20	50	49		21.20	21.18	21.17
20	100	0		21.21	21.23	21.29
20	1	0	16-QAM	21.72	21.67	21.31
20	1	49		21.48	21.55	21.14
20	1	99		21.32	21.41	21.13
20	50	0		20.26	20.21	20.45
20	50	24		20.19	20.12	20.40
20	50	49		20.15	20.16	20.28
20	100	0		20.35	20.24	20.29



## **Appendix B. Test Results of Radiated Test**



### Radiated Spurious Emission

LTE Band 5 / 5MHz / QPSK / RB Size 1 Offset 0 / SIM1									
Channel	Frequency ( MHz )	ERP ( dBm )	Limit ( dBm )	Over Limit ( dB )	SPA Reading (dBm)	S.G. Power ( dBm )	TX Cable loss ( dB )	TX Antenna Gain (dBi)	Polarization (H/V)
Lowest	1651	-50.56	-13	-37.56	-59.62	-52.31	0.98	4.88	H
	2476	-43.26	-13	-30.26	-56.78	-45.15	1.28	5.33	H
	3301	-50.73	-13	-37.73	-67.39	-54.16	1.54	7.12	H
	1651	-54.53	-13	-41.53	-62.61	-56.28	0.98	4.88	V
	2476	-42.50	-13	-29.50	-57.39	-44.39	1.28	5.33	V
	3301	-54.75	-13	-41.75	-70.24	-58.18	1.54	7.12	V
Middle	1672	-45.44	-13	-32.44	-54.6	-47.12	0.99	4.82	H
	2506	-41.32	-13	-28.32	-54.58	-43.28	1.29	5.40	H
	3340	-50.56	-13	-37.56	-66.49	-54.15	1.55	7.30	H
	1672	-49.59	-13	-36.59	-56.22	-51.27	0.99	4.82	V
	2506	-39.30	-13	-26.30	-54.63	-41.26	1.29	5.40	V
	3340	-53.43	-13	-40.43	-68.5	-57.02	1.55	7.30	V
Highest	1693	-50.58	-13	-37.58	-60.42	-52.19	1.00	4.76	H
	2536	-41.29	-13	-28.29	-55.23	-43.27	1.30	5.43	H
	3379	-53.67	-13	-40.67	-69.67	-57.42	1.57	7.47	H
	1693	-50.87	-13	-37.87	-58.19	-52.48	1.00	4.76	V
	2536	-40.40	-13	-27.40	-55.71	-42.38	1.30	5.43	V
	3379	-55.97	-13	-42.97	-71.54	-59.72	1.57	7.47	V

Remark: Spurious emissions within 30-1000MHz were found more than 20dB below limit line.





LTE Band 7 / 5MHz / QPSK / RB Size 1 Offset 0 / SIM1									
Channel	Frequency ( MHz )	ERP ( dBm )	Limit ( dBm )	Over Limit ( dB )	SPA Reading (dBm)	S.G. Power ( dBm )	TX Cable loss ( dB )	TX Antenna Gain (dBi)	Polarization (H/V)
Lowest	5004	-54.03	-25	-29.03	-76.85	-61.39	2.34	9.70	H
	7500	-39.81	-25	-14.81	-68.64	-49.18	2.43	11.80	H
	10008	-39.60	-25	-14.60	-71.22	-49.11	2.70	12.20	H
	5004	-55.28	-25	-30.28	-76.76	-62.64	2.34	9.70	V
	7500	-41.34	-25	-16.34	-69.7	-50.71	2.43	11.80	V
	9996	-40.98	-25	-15.98	-70.65	-50.49	2.70	12.20	V
Middle	5064	-42.34	-25	-17.34	-65.19	-49.67	2.37	9.70	H
	7596	-40.68	-25	-15.68	-68.02	-50.14	2.40	11.86	H
	10128	-40.82	-25	-15.82	-72.34	-50.38	2.70	12.25	H
	5064	-44.61	-25	-19.61	-66.19	-51.94	2.37	9.70	V
	7596	-40.54	-25	-15.54	-68.45	-50	2.40	11.86	V
	10128	-42.31	-25	-17.31	-72.44	-51.87	2.70	12.25	V
Highest	5124	-54.34	-25	-29.34	-77.05	-61.63	2.41	9.70	H
	7692	-39.31	-25	-14.31	-67.64	-48.86	2.37	11.92	H
	10260	-39.36	-25	-14.36	-70.85	-48.97	2.69	12.30	H
	5124	-54.74	-25	-29.74	-76.66	-62.03	2.41	9.70	V
	7692	-41.27	-25	-16.27	-69.21	-50.82	2.37	11.92	V
	10260	-40.39	-25	-15.39	-70.92	-50	2.69	12.30	V

Remark: Spurious emissions within 30-1000MHz were found more than 20dB below limit line.