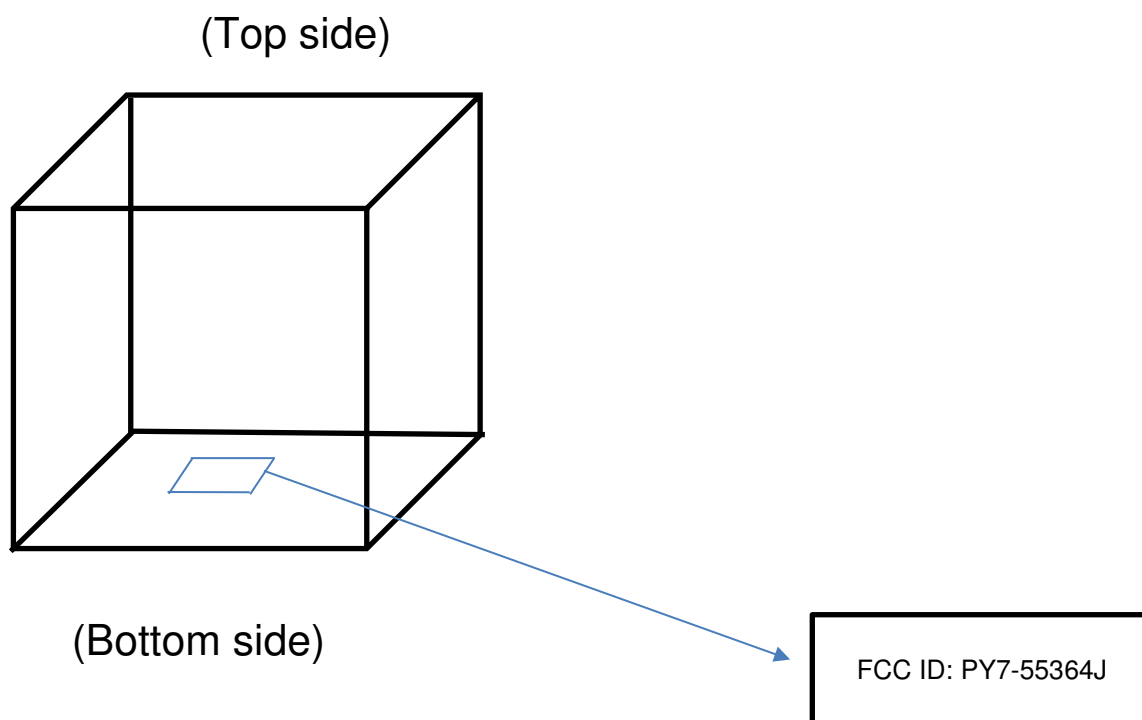


SONY

Sony Mobile Communications, Inc.

4-12-3 Higashi-shinagawa, Shinagawa-ku, Tokyo, 140-0002, Japan

Label and label location FCC ID: PY7-55364J



Note: FCC 15.19 (a) statement will be on the User Manual due to no practicable space on the device.