

APPROVAL SHEET

CUSTOMER

MODEL NO . : NAS-2405 (N)

DESCRIPTION : **2.4GHz Flying Lead
Omni-Directional Antenna**

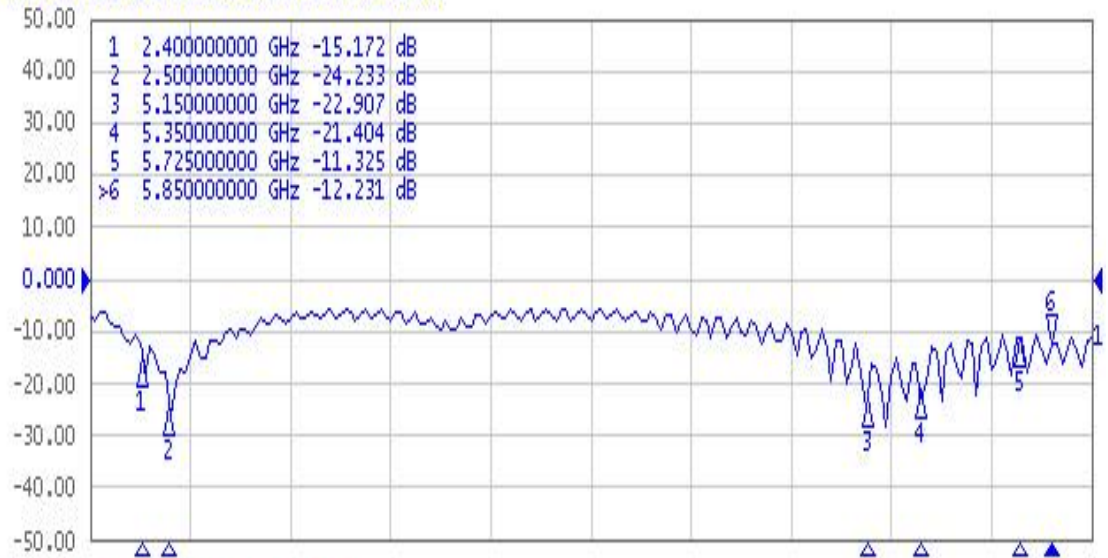
Customer Approval

--	--	--

1. Frequency Range.....	2.4~2.4835GHz
2. Impedance.....	50 Ohms (nominal)
3. SWR.....	≤ 2.0
4. Return Loss.....	≤ -9.6 dB
5. Gain.....	5.0dBi
6 .Polarization.....	Vertical
7. Connector.....	SMA Plug (Reverse Polarity)
8. Cable.....	RG-316

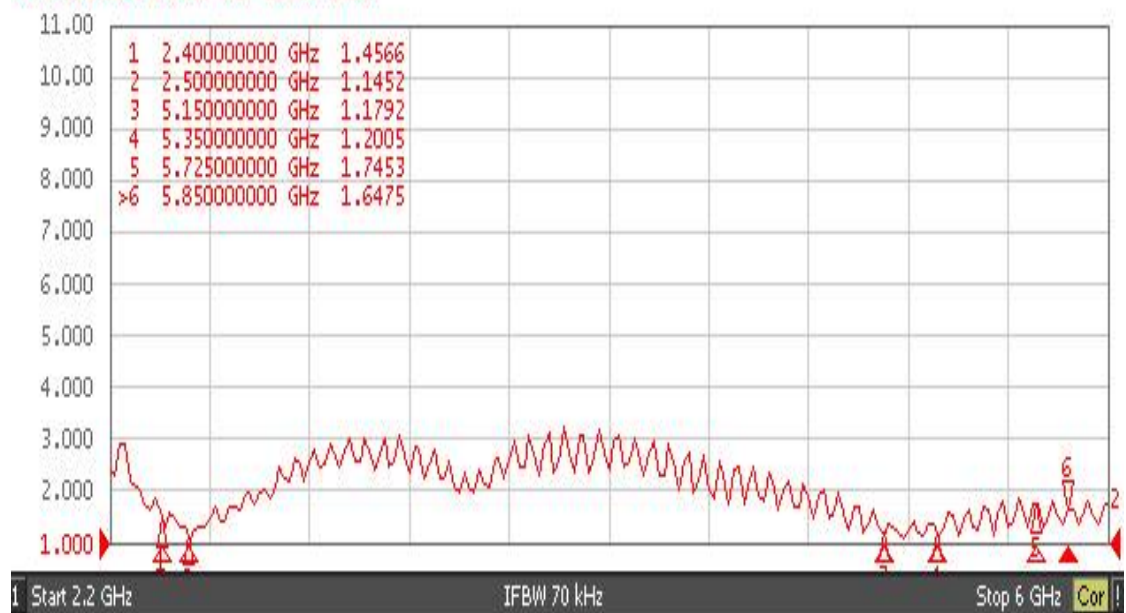
Return Loss

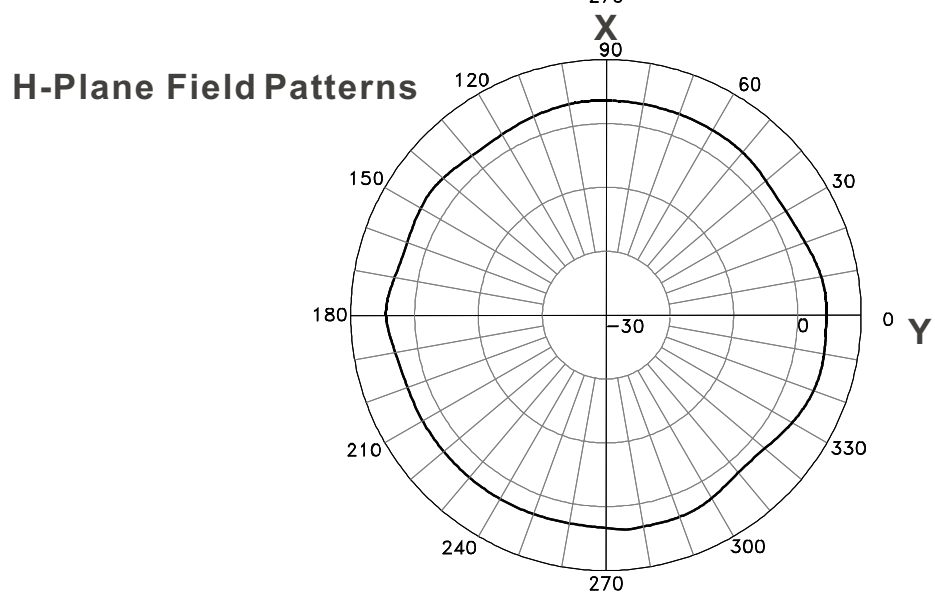
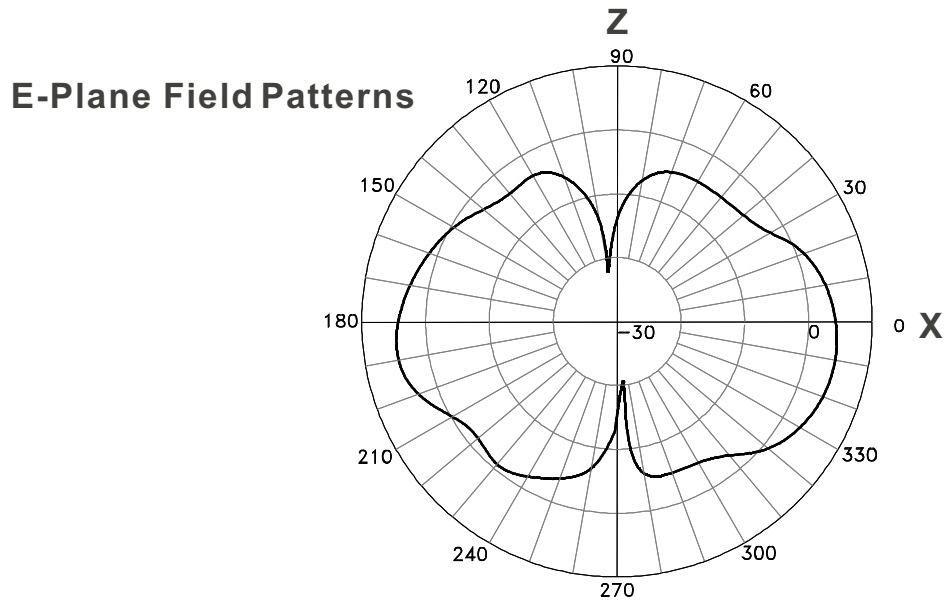
Tr1 544 Log Mag 10.00dB/ Ref 0.000dB [R0]



SWR

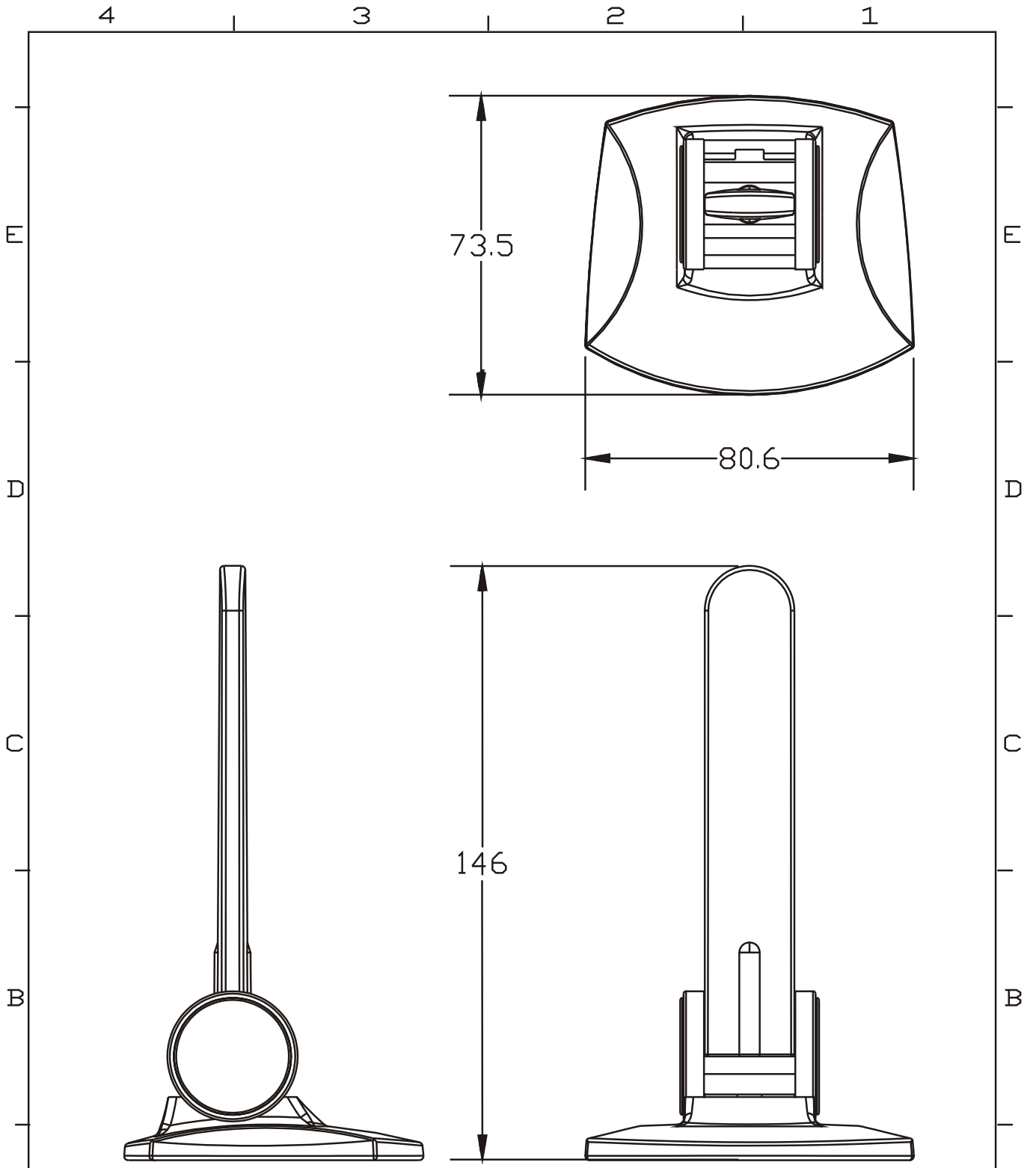
Tr2 544 SWR 1.000/ Ref 1.000 [R0]





Frequency: 2.45GHz
Gain: 5.0dBi

Model No. : **NAS-2405(N)**



MATERIAL		TREATMENT			MODEL	NAP-2405(N)	
UNIT	mm	SCALE	QUANTITY		NAME	Style Antenna	
DESIGN	DRAWN	CHECKED	APPROVED	DATE	DWN NO.	ANT	
Robert Kung					BOM NO.		

Model No. : **NAS-2405(N)**

