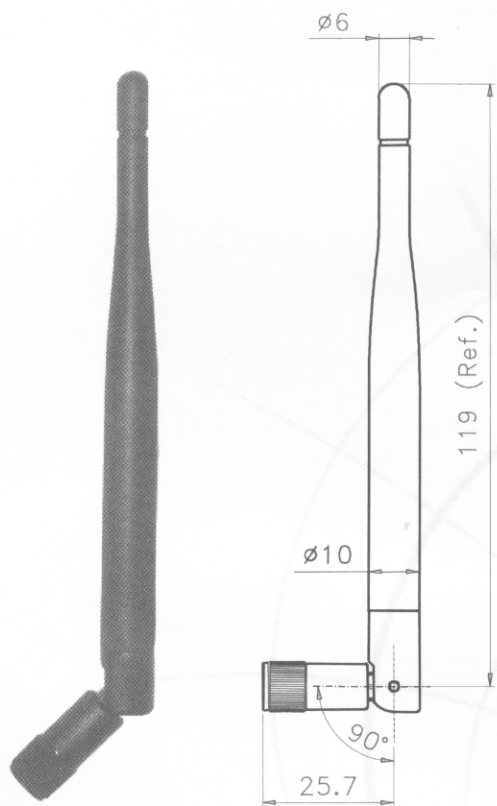


2.4GHz Swivel Antenna

IW-152



Unit: mm

TECHNICAL DATA

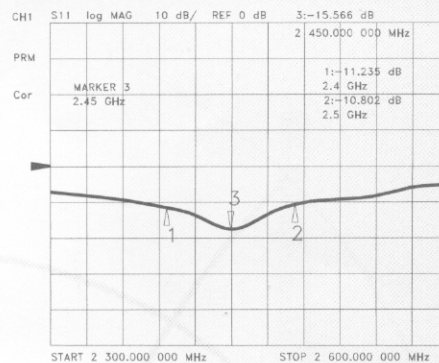
● Electrical Properties

Frequency Range	: 2.4 ~ 2.5GHz
Impedance	: 50 Ohms nominal
SWR	: ≤ 2.0
Gain	: 4.0 dBi
Radiation	: Omni
Polarization	: Vertical

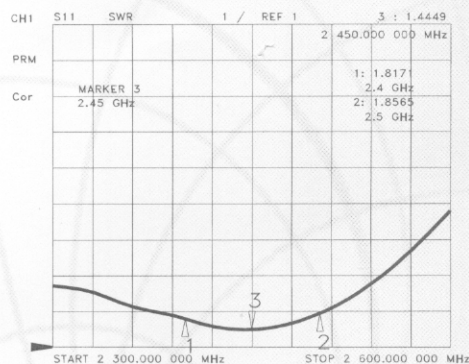
● Mechanical Properties

Connector	: Reverse SMA
Antenna Cover	: Polyurethane
Swivel Mechanism	: Polycarbonate
Color	: Black
Operation Temperature	: -20° C ~ +65° C
Storage Temperature	: -30° C ~ +75° C

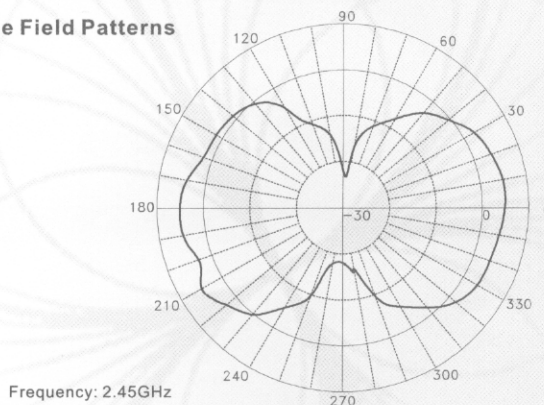
Return Loss



SWR



E-Plane Field Patterns



H-Plane Field Patterns

