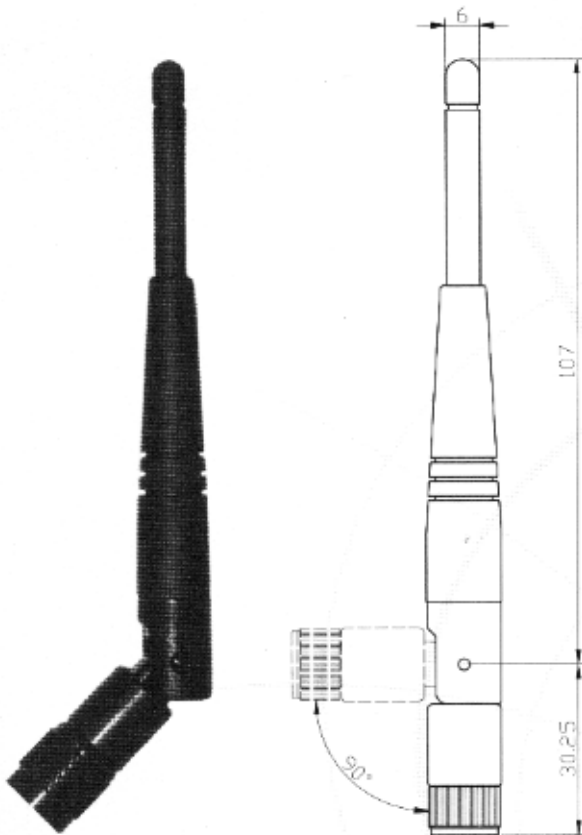


# 2.4GHz Swivel Antenna

# IW-144



Unit: mm

## TECHNICAL DATA

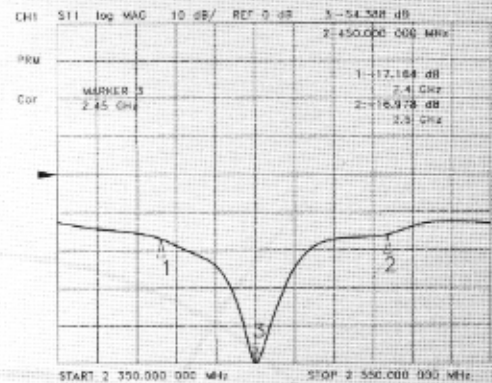
### ● Electrical Properties

|                 |                        |
|-----------------|------------------------|
| Frequency Range | : 2.4 ~ 2.5GHz         |
| Impedance       | : 50 Ohms nominal      |
| SWR             | : ≤ 2.0                |
| Gain            | : 2.0 dBi              |
| Radiation       | : Omni                 |
| Polarization    | : Vertical             |
| Electrical Wave | : $1/4 \lambda$ Dipole |

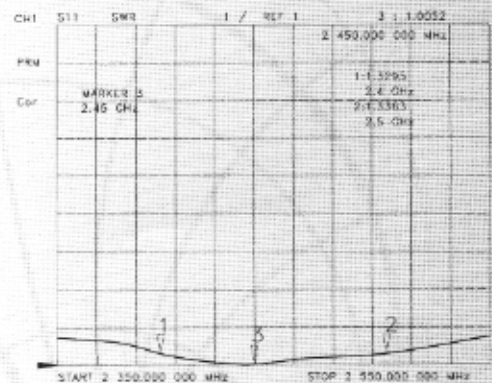
### ● Mechanical Properties

|                       |                              |
|-----------------------|------------------------------|
| Standard Connector    | : Reverse SMA or Reverse TNC |
| Antenna Cover         | : Polyurethane               |
| Swivel Mechanism      | : Polycarbonate              |
| Color                 | : Black                      |
| Operation Temperature | : -20°C ~ +65°C              |
| Storage Temperature   | : -30°C ~ +75°C              |

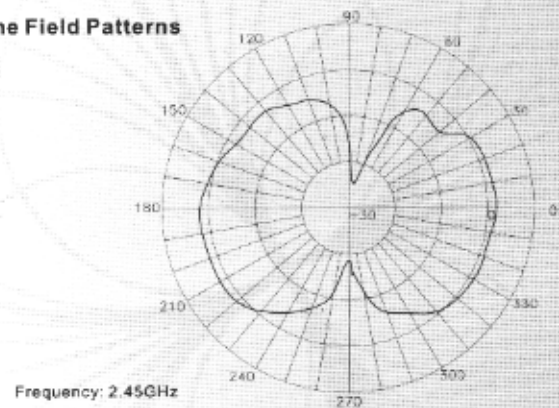
### Return Loss



### SWR



### E-Plane Field Patterns



### H-Plane Field Patterns

