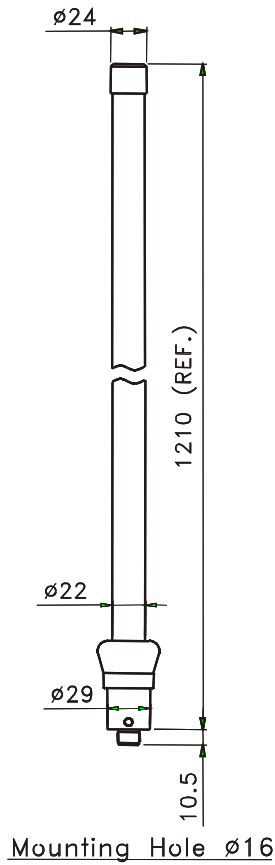


2.4GHz GP Antenna

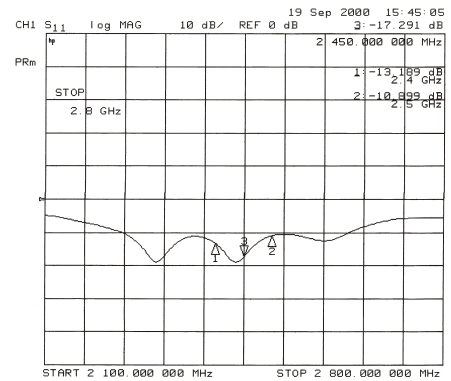
SAG-2412



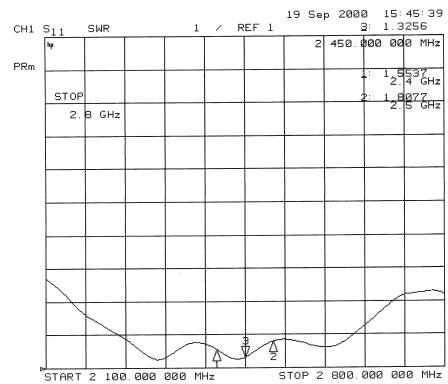
Unit: mm



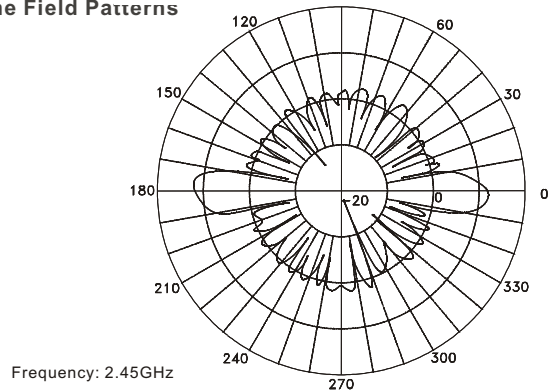
Return Loss



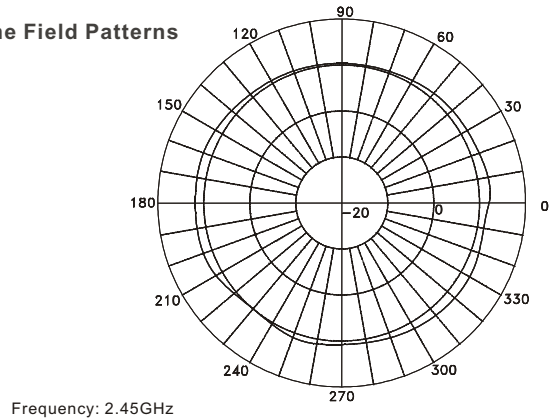
SWR



E-Plane Field Patterns



H-Plane Field Patterns



TECHNICAL DATA

Electrical Properties

Frequency Range	: 2.4~2.5GHz
Impedance	: 50 Ohms nominal
SWR	: ≤ 2.0
Gain	: 12 dBi
Radiation	: Omni
Polarization	: Vertical

Mechanical Properties

Connector	: N(Female)
Radiator	: Copper & Brass
Radome	: Fiberglass
Mounting Base	: Zinc Alloy with Chrome Plated
Guide Pipe	: Aluminum Alloy
Bracket	: Aluminum Alloy
* Mast Kit Accepted $\phi 25 \sim \phi 49$ mast diameter	