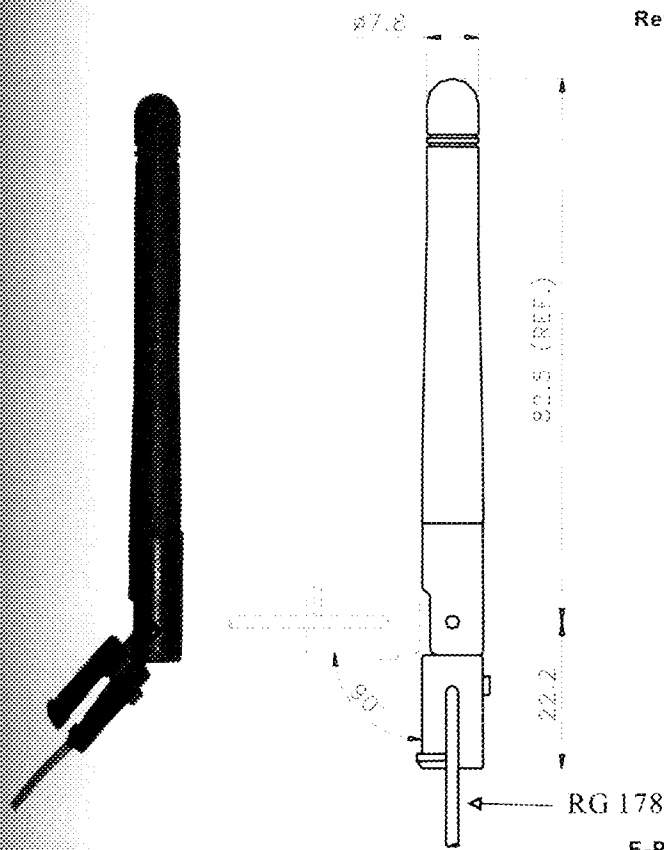


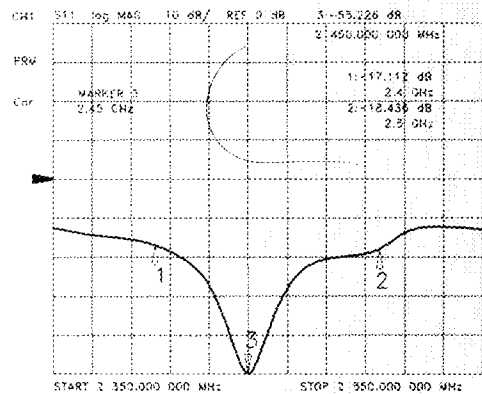
2.4GHz Flying Lead Swivel Antenna

IWF-242

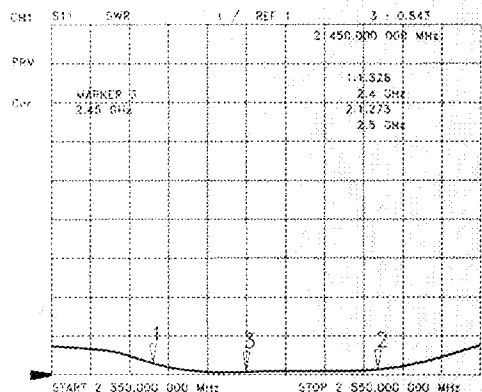


Unit: mm

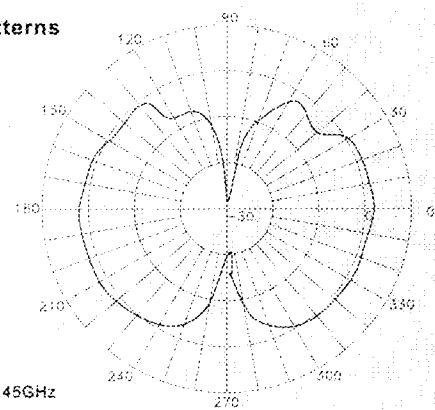
Return Loss



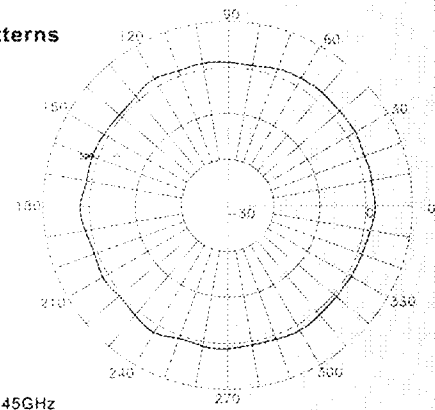
SWR



E-Plane Field Patterns



H-Plane Field Patterns



TECHNICAL DATA

Electrical Properties

Frequency Range	: 2.4 ~ 2.5GHz
Impedance	: 50 Ohms nominal
SWR	: ≤ 2.0
Gain	: 2.0 dBi
Radiation	: Omni
Polarization	: Vertical
Electrical Wave	: 1/4 λ Dipole

Mechanical Properties

Cable	: RG-178
Antenna Cover	: Polyurethane
Base	: Polycarbonate
Color	: Black
Operation Temperature	: -20°C ~ +65°C
Storage Temperature	: -30°C ~ +75°C