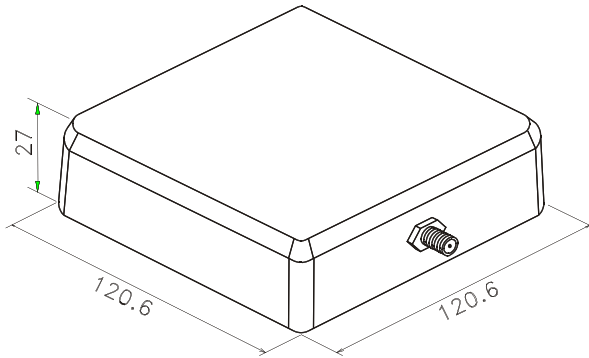


2.4GHz Patch Antenna

SAP-2412



Unit: mm

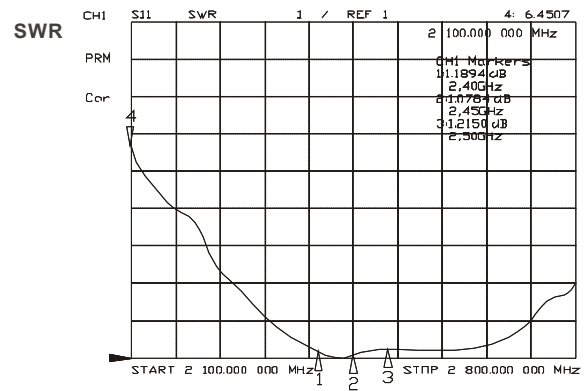
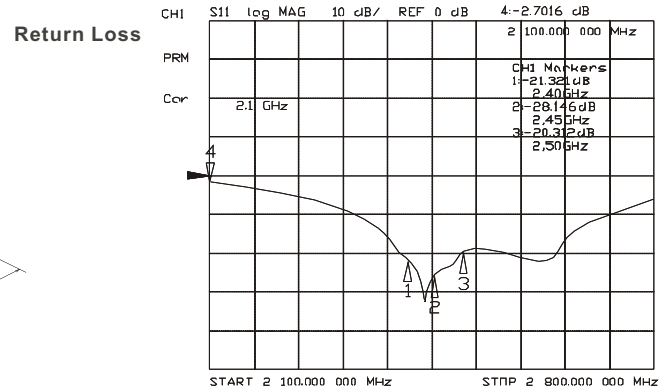
TECHNICAL DATA

●Electrical Properties

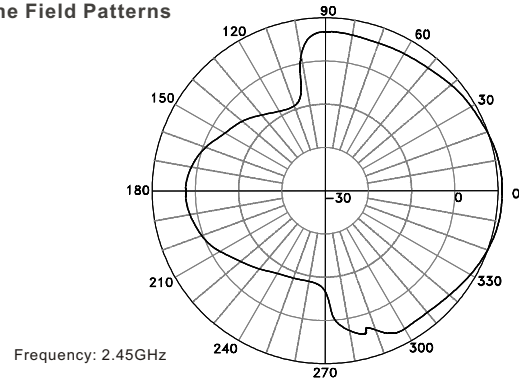
Frequency Range	: 2.4~2.5GHz
Impedance	: 50 Ohms nominal
SWR	: ≤ 2.0
Gain	: 12 dBi
Radiation	: Direction
Polarization	: Linear
Beam Degree	: 60°

●Mechanical Properties

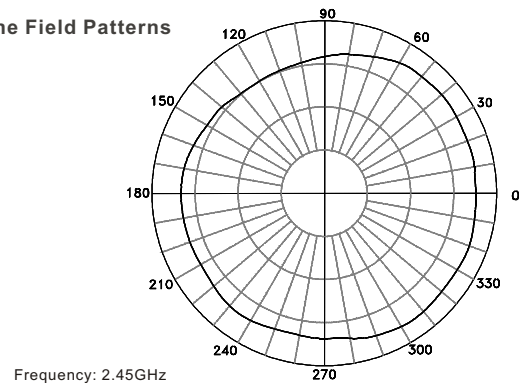
Connector	: Reverse SMA Female
Material	: ABS / PC
Tape	: Acrylic Foam Tape
Operation Temperature	: -20 °C ~ +65 °C
Storage Temperature	: -30 °C ~ +75 °C



E-Plane Field Patterns



H-Plane Field Patterns



APPROVAL SHEET

CUSTOMER : NETGEAR

MODEL NO : NAP-2418(N)

PART NO : ACC-10337-01

DESCRIPTION : 18dBi Patch antenna with N (F) jack

DATE : 2003/03/28 (Version:1.0)

Customer Approved

Issued	Checked	Approved
Jason Lee	Jac Lee	Damy Wu

Senao International Co., Ltd.

3 fl, No. 529, Chung Cheng Rd., Hsin Tien City, Taipei 231 Taiwan R.O.C.

Tel: 886-2-2218-3588 Fax: 886-2-2218-8843

Electric properties

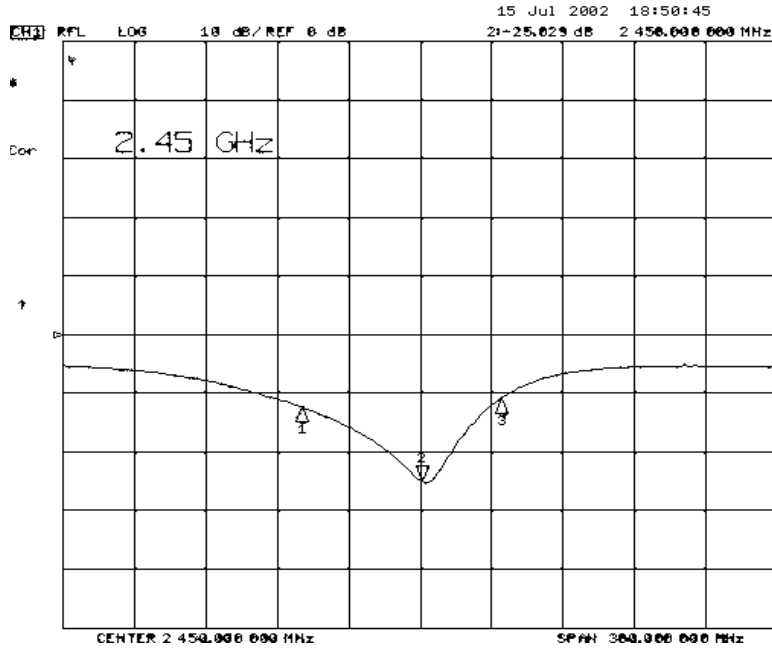
1. Frequency Range..... 2.45±5Mhz
2. Type..... Patch
3. Impedance..... 50 OHMS± 5Ω
4. SWR..... ≤1.5
5. Return Loss..... ≤-15dB
6. Gain..... 18dBi
7. Radiation..... Directional
8. Polarization..... Vertical
9. Beam Degree..... HORZ 60°...VERT 30°

Mechanical Properties

1. Connector Type..... Reverse N
2. Material..... PC+ABS
3. Color..... WHITE
4. Mounting Base STEEL
5. Operation Temperature..... -30°C+80°C
6. Storage Temperatue..... -30°C+80°C
7. Weight..... 1520g±20g

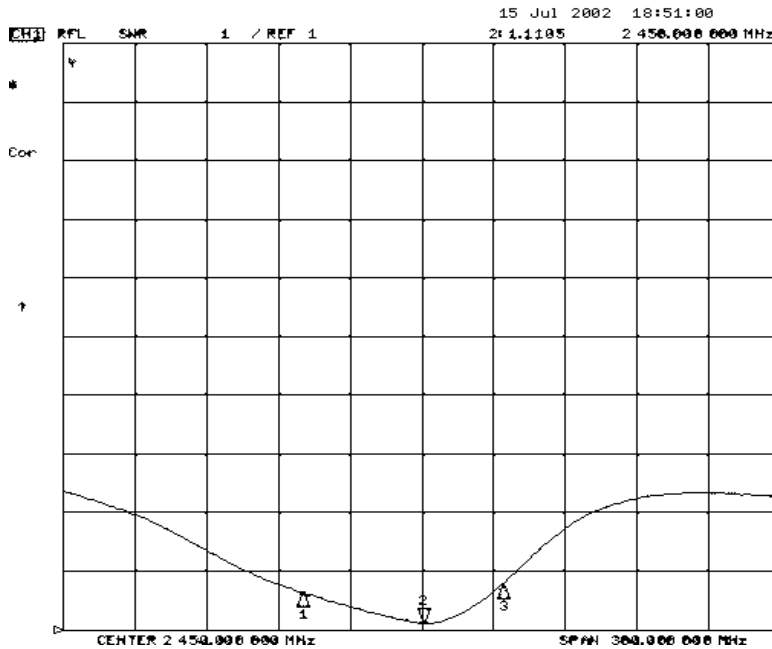
Test Report

Return Loss



CH1 Markers
 1: -12.422 dB
 2: 40000 GHz
 3: -10.990 dB
 2: 48350 GHz

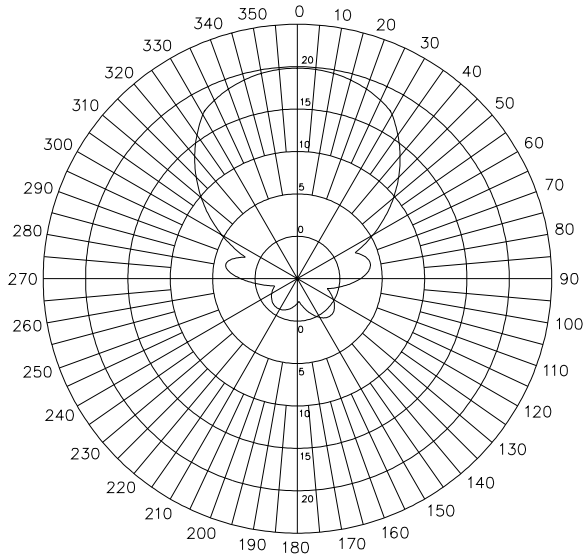
SWR



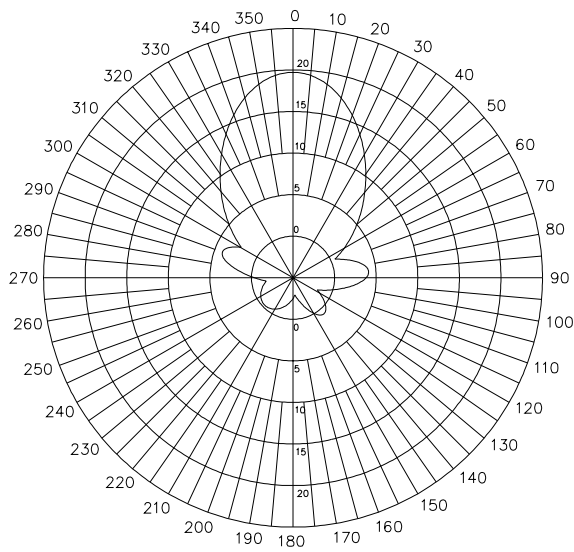
CH1 Markers
 1: 1.6323
 2: 40000 GHz
 3: 1.7807
 2: 48350 GHz

Test Report

H-PLANE FIELD PATTERN



E-PLANE FIELD PATTERN



Dimension

Device Size: 262.8(L) * 262.8(W) * 40(H) mm

Color: Body(Pantone 428C), Lettering(Pantone 2756C)

