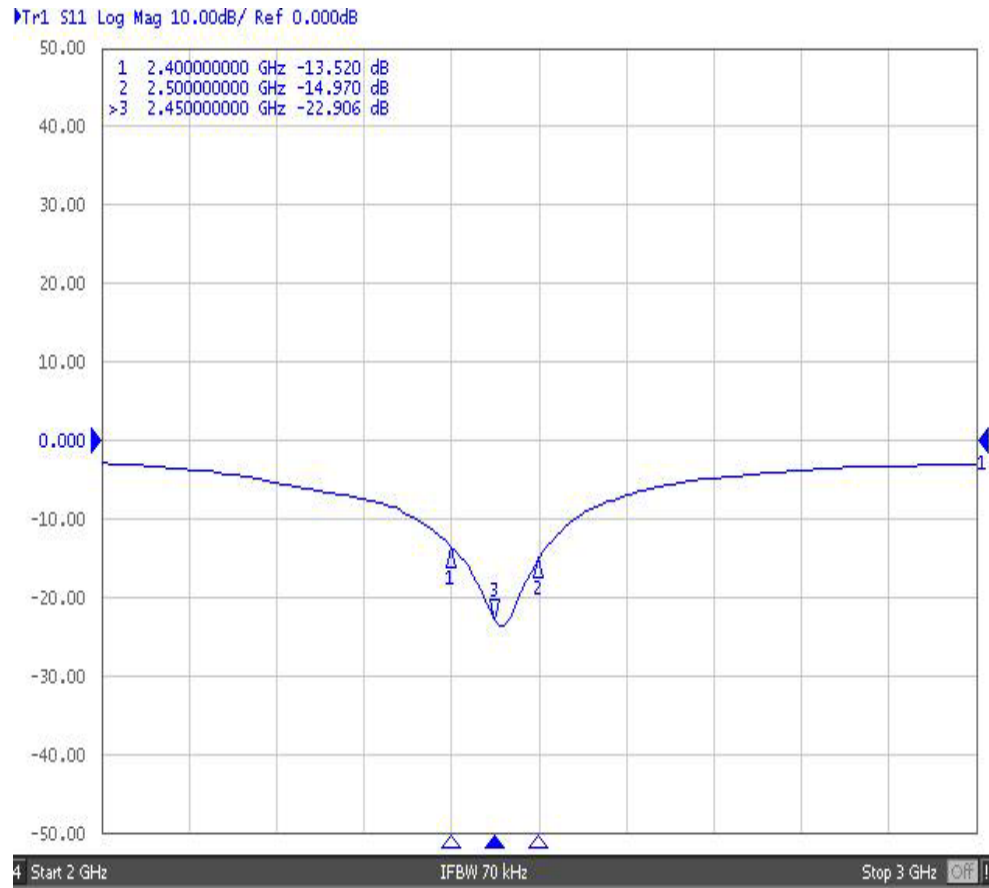
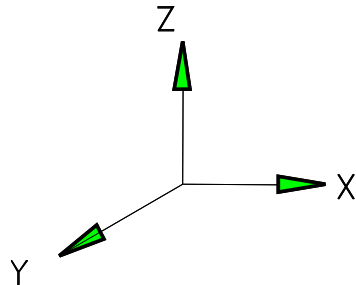
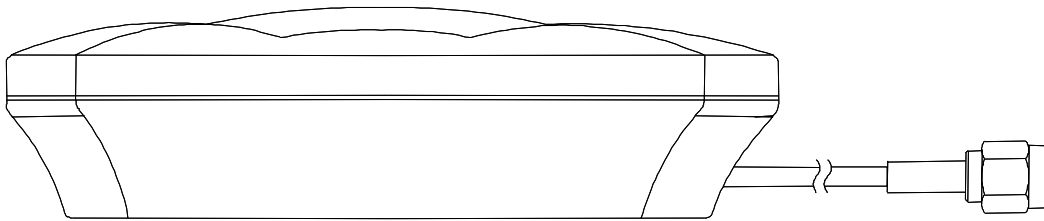
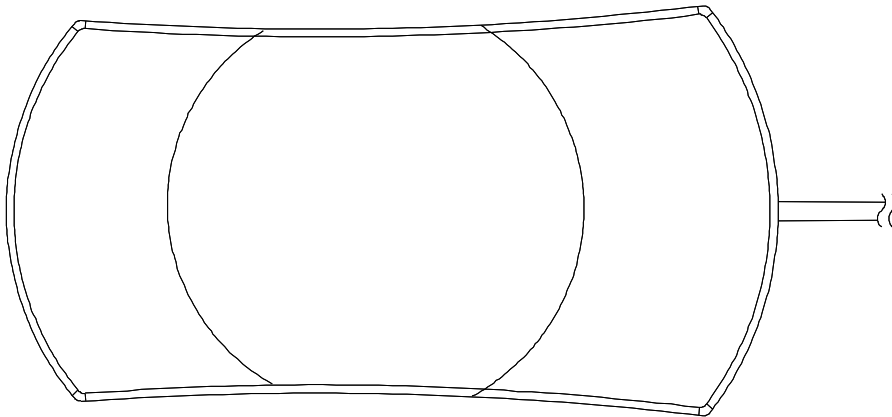


1. Frequency Range.....	2.4~2.4835GHz
2. Impedance.....	50 Ohms (nominal)
3. SWR.....	≤ 2.0
4. Return Loss.....	≤ -10 dB
5. Gain.....	5.0dBi
6. Polarization.....	Vertical
7. Connector.....	SMA Plug (Reverse Polarity)
8. Cable.....	RG-316

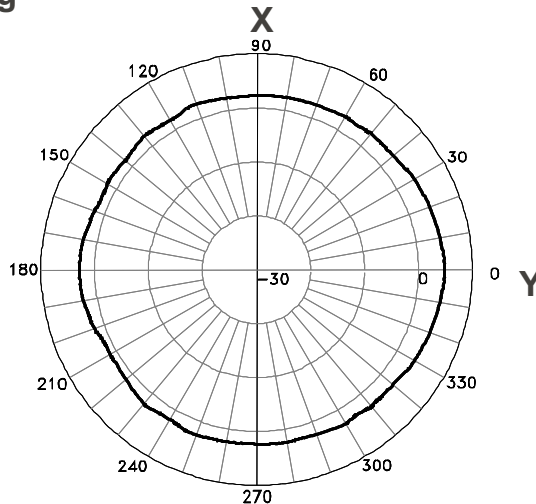
**Return
Loss**



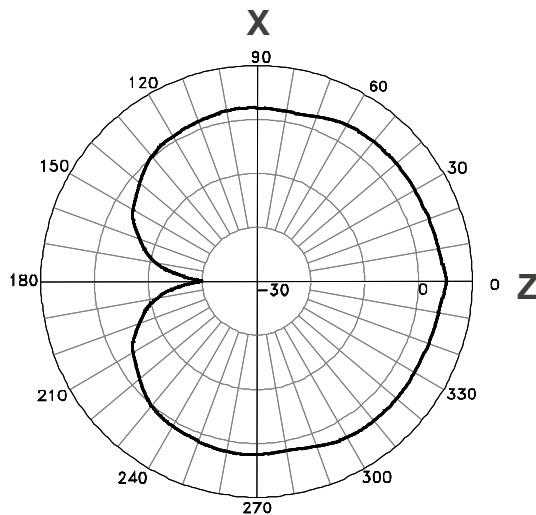


3 Mesters Testing

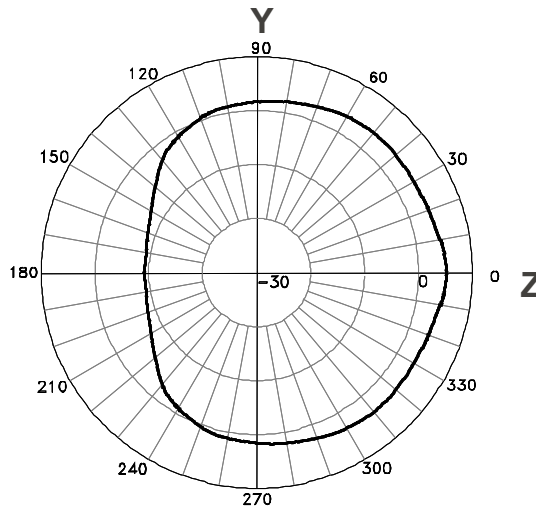
X-Y Plane



X-Z Plane



Y-Z Plane



Frequency: 2.45GHz