

REV	DESCRIPTION OF REVISION	ENG APPD	DATE
01	INITIAL RELEASE	R HU	30OCT19
02	UPDATED NOTE 6	R HU	12DEC19
03	ADDED FCC ID	R HU	18FEB20

**NOTE:**

1. REFER TO NETGEAR SPEC. DOC-00093 FOR COLOR TOLERANCES.
2. INK COLOR IS SHOWN TO THE RIGHT.
3. DIE LINES ARE MAGENTA COLOR AND DO NOT PRINT.
4. MAC & SERIAL NUMBERS TO BE PRINTED BY THE ODM.
5. See NTGR DOC-00112 for SN standard.

6. SN, MAC address, SSID and PASSWORD to be encoded QR (2D) barcode.
  - A. EACH DATA ELEMENT IS TO BE SEPARATED BY A SEMICOLON WITH NO SPACE, AND TO BE PRINTED IN THIS EXACT ORDER.

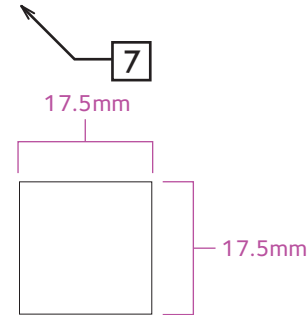
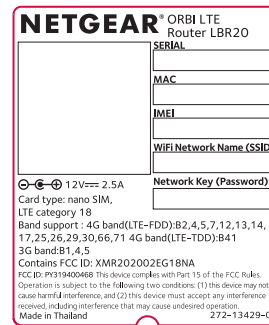
**Element:**

WIFI:S:SSID;T:WPA2;P:PASSWORD;SN:SERIAL;SK:SKU;MAC:MAC;

**Example:**

WIFI:S:NETGEAR-08;T:WPA2;P:HEAVYLOTUS141;SN:510789235724097;SK:LBR20-100NAS;MAC:8A:00:27:C5:84:B4;

7. INSURE COUNTRY OF ORIGIN IS CORRECT.
  - A. IF COUNTRY OF ORIGIN IS PRE-PRINTED, UNHIDE THE APPROPRIATE COUNTRY OF ORIGIN LAYER AND INCLUDE COUNTRY OF ORIGIN ON LABEL.
  - B. IF COUNTRY OF ORIGIN IS POST-PRINTED USING A THERMAL PRINTER (OR EQUIVALENT), OMIT TEXT FROM ARTWORK (USE LAYERS).



Pantone Black

AUTHOR: R HU	TITLE: AW, PLBL,LBR20 NA,V1	<b>NETGEAR</b>	
SHEET: 1 of 1	THIS DOCUMENT AND THE DATA DISCLOSED HEREIN OR WHEREWITH IS NOT TO BE REPRODUCED, USED OR DISCLOSED IN WHOLE OR IN PART TO ANYONE WITHOUT THE PERMISSION OF NETGEAR, INC.	P/N: AW-14479-01	REV: 03