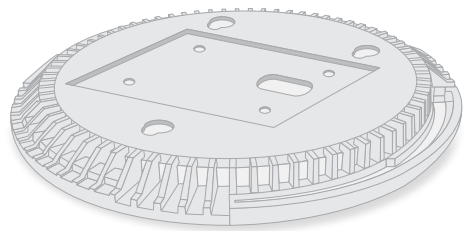


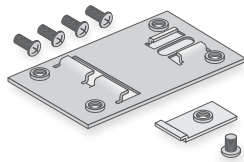
Ceiling and Wall-Mount Guide

NETGEAR Insight Managed
Smart Cloud Wireless Access Point (WAC540)
AC3000 802.11ac Wave 2 Tri Radio

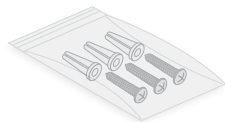
Ceiling and Wall-Mount Kit Contents



Mounting plate



Metal bracket with
T-bar, lock screw,
and 4 short screws



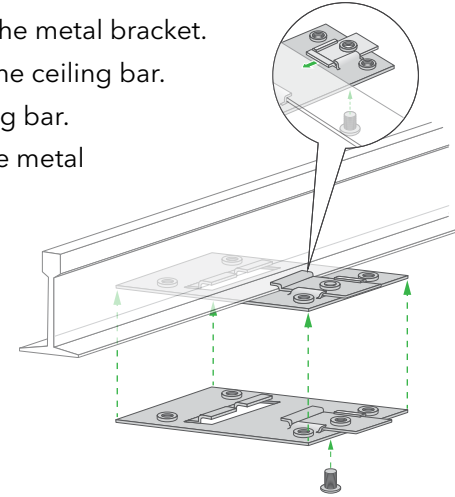
3 tall screws and anchors
for wall mounting

Mount the Access Point on a Drop Ceiling

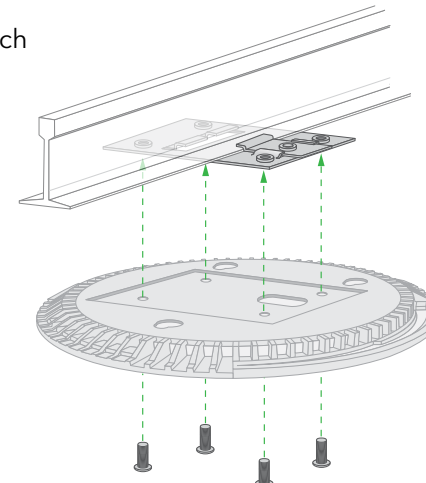
Before mounting the access point, first set up and test the access point to verify WiFi network connectivity.

Note: If you are mounting the access point on a hard ceiling, use the wall mounting instructions on the other side of this document.

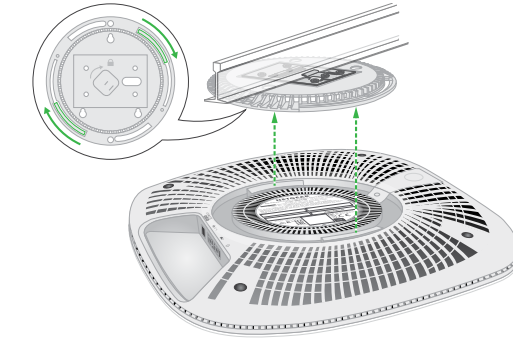
1. Slide the T-bar partially into the metal bracket.
2. Attach the metal bracket to the ceiling bar.
3. Push the T-bar over the ceiling bar.
4. Use the lock screw to lock the metal bracket into place.



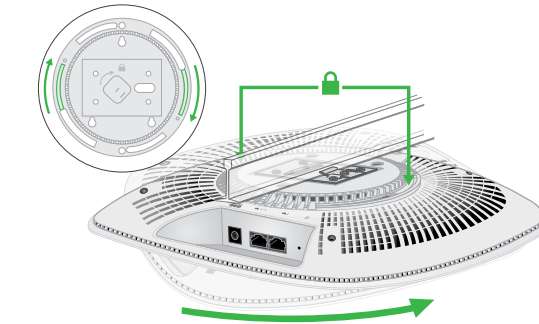
5. Use the four short screws to attach the mounting plate to the T-bar.



6. Hold the access point upside down and attach it to the mounting plate.



7. Twist the access point clockwise to lock it onto the mounting plate.

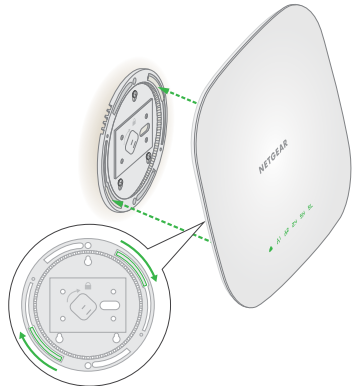
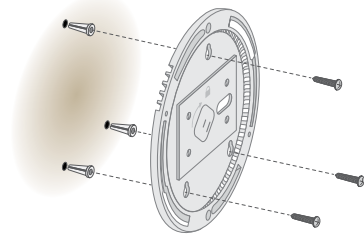


8. Cable the access point to your network.

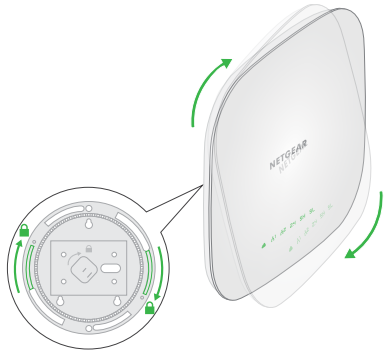


Mount the Access Point on a Wall

1. Place the mounting plate on the wall.
2. Mark the wall where the mounting holes are.
3. Use the wall anchors and screws to attach the mounting plate to the wall.
4. Attach the access point to the mounting plate.



5. Twist the access point clockwise to lock it onto the mounting plate.



Support

Thank you for purchasing this NETGEAR product. You can visit www.netgear.com/support to register your product, get help, access the latest downloads and user manuals, and join our community. We recommend that you use only official NETGEAR support resources.

Si ce produit est vendu au Canada, vous pouvez accéder à ce document en français canadien à <https://www.netgear.com/support/download/>. (If this product is sold in Canada, you can access this document in Canadian French at <https://www.netgear.com/support/download/>.)

For regulatory compliance information including the EU Declaration of Conformity, visit <https://www.netgear.com/about/regulatory/>.

See the regulatory compliance document before connecting the power supply.

Do not use this device outdoors. If you connect cables or devices that are outdoors to this device, see <https://kb.netgear.com/000057103> for safety and warranty information.



201-24650-01

December 2018

© NETGEAR, Inc., NETGEAR and the NETGEAR Logo are trademarks of NETGEAR, Inc. Any non-NETGEAR trademarks are used for reference purposes only.

NETGEAR, Inc.
350 East Plumeria Drive
San Jose, CA 95134, USA



NETGEAR INTL LTD
Building 3, University Technology Centre
Curraheen Road, Cork, Ireland