



## RF Test Report

Applicant : Netgear Incorporated  
Product Type : Netgear Mobile Hotspot  
Trade Name : NETGEAR  
Model Number : AC797S  
Applicable Standard : FCC 47 CFR PART 22H  
FCC 47 CFR PART 24E  
FCC 47 CFR PART 27  
ANSI/TIA-603-E 2016  
Receive Date : Jul. 30, 2018  
Test Period : Aug. 18 ~ Aug. 25, 2018  
Issue Date : Aug. 31, 2018

### Issue by

A Test Lab Techno Corp.  
No. 140-1, Changan Street, Bade District,  
Taoyuan City 33465, Taiwan (R.O.C)  
Tel : +886-3-2710188 / Fax : +886-3-2710190



Taiwan Accreditation Foundation accreditation number: 1330

Test Firm MRA designation number: TW0010

**Note:** This report shall not be reproduced except in full, without the written approval of A Test Lab Techno Corp. This document may be altered or revised by A Test Lab Techno Corp. personnel only, and shall be noted in the revision section of the document. The client should not use it to claim product endorsement by TAF, or any government agencies. The test results in the report only apply to the tested sample.



### Revision History

| Rev. | Issue Date    | Revisions     | Revised By |
|------|---------------|---------------|------------|
| 00   | Aug. 31, 2018 | Initial Issue | Nina Lin   |
|      |               |               |            |
|      |               |               |            |
|      |               |               |            |

## Verification of Compliance

Issued Date: Aug. 31, 2018

Applicant : Netgear Incorporated  
Product Type : Netgear Mobile Hotspot  
Trade Name : NETGEAR  
Model Number : AC797S  
FCC ID : PY318300421  
EUT Rated Voltage : DC 5.0 V, 1.0 A  
Test Voltage : DC 3.5 V / DC 3.8 V / DC 4.35 V  
AC 120 V, 60 Hz  
Applicable Standard : FCC 47 CFR PART 22H  
FCC 47 CFR PART 24E  
FCC 47 CFR PART 27  
ANSI/TIA-603-E 2016

Test Result : Complied

Performing Lab. : A Test Lab Techno Corp.  
No. 140-1, Changan Street, Bade District,  
Taoyuan City 33465, Taiwan (R.O.C)  
Tel : +886-3-2710188 / Fax : +886-3-2710190  
Taiwan Accreditation Foundation accreditation number: 1330  
<http://www.atl-lab.com.tw/e-index.htm>



A Test Lab Techno Corp. tested the above equipment in accordance with the requirements set forth in the above standards. All indications of Pass/Fail in this report are opinions expressed by A Test Lab Techno Corp. based on interpretations and/or observations of test results. The test results show that the equipment tested is capable of demonstrating compliance with the requirements as documented in this report.

Approved By  
(Manager)

: Fly Lu  
(Fly Lu)

Reviewed By

(Testing Engineer)

: Eric Ou Yang  
(Eric Ou Yang)

## TABLE OF CONTENTS

|          |   |           |
|----------|---|-----------|
| <b>1</b> | <b>General Information</b> .....  | <b>5</b>  |
| 1.1.     | EUT Description.....  | 5         |
| 1.2.     | Mode of Operation .....   | 11        |
| 1.3.     | EUT Exercise Software .....   | 19        |
| 1.4.     | Configuration of Test System Details .....  | 19        |
| 1.5.     | Test Instruments.....   | 20        |
| 1.6.     | Test Site Environment.....  | 21        |
| 1.7.     | Summary of Test Result.....   | 21        |
| <b>2</b> | <b>Measurement Procedure</b> .....  | <b>22</b> |
| 2.1.     | Conducted Output Average Power Test .....   | 22        |
| 2.2.     | Effective Radiated Power / Equivalent Isotropic Radiated Power Test.....  | 23        |
| 2.3.     | Frequency Stability Test .....  | 26        |
| 2.4.     | Emission Bandwidth & Occupied Bandwidth Test .....  | 27        |
| 2.5.     | Peak to Average Ratio Test.....   | 28        |
| 2.6.     | Band Edge Test.....   | 29        |
| 2.7.     | Conducted Spurious Emission Test.....   | 31        |
| 2.8.     | Radiated Emission Test.....   | 33        |
| <b>3</b> | <b>Test Results</b> .....   | <b>35</b> |
|          | Conducted Output Average Power .....  | 35        |
|          | Effective Radiated Power / Equivalent Isotropic Radiated Power .....  | 127       |
|          | Radiated Emission.....  | 134       |
|          | Appendix : Frequency Stability/ Emission Bandwidth & Occupied Bandwidth/ Peak to Average Ratio/ Band Edge/ Conducted Spurious Emission..... | 264       |



# 1 General Information

## 1.1. EUT Description

|  |  |             |  |
|--|--|-------------|--|
| Applicant  | Netgear Incorporated<br>350 East Plumeria Drive, San Jose, California, United States 95134 |             |  |
| Manufacturer   | Netgear Inc.<br>Suite 168 - 10760 Shellbridge Way, Richmond, BC Canada V6X 3H1             |             |  |
| Product Type   | Netgear Mobile Hotspot   |             |  |
| Trade Name   | NETGEAR  |             |  |
| Model Number   | AC797S   |             |  |
| FCC ID   | PY318300421  |             |  |
| IMEI No.   | 015253000000651  |             |  |
| Operate Band   | Frequency Range (MHz)  | Modulation  | Channel Bandwidth                            |
| LTE Band 2   | UL: 1850 ~ 1910  | QPSK, 16QAM | 1.4 M, 3 M, 5 MHz, 10 MHz,<br>15 MHz, 20 MHz |
|  | DL: 1930 ~ 1990  | QPSK, 16QAM |  |
| LTE Band 4   | UL: 1710 ~ 1755  | QPSK, 16QAM | 1.4 M, 3 M, 5 MHz, 10 MHz,<br>15 MHz, 20 MHz |
|  | DL: 2110 ~ 2155  | QPSK, 16QAM |  |
| LTE Band 5   | UL: 824 ~ 849  | QPSK, 16QAM | 1.4 M, 3 M, 5 MHz, 10 MHz                    |
|  | DL: 869 ~ 894  | QPSK, 16QAM |  |
| LTE Band 7   | UL: 2500 ~ 2570  | QPSK, 16QAM | 5 MHz, 10 MHz, 15 MHz,<br>20 MHz             |
|  | DL: 2620 ~ 2690  | QPSK, 16QAM |  |
| LTE Band 12  | UL: 699 ~ 716  | QPSK, 16QAM | 1.4 M, 3 M, 5 MHz, 10 MHz                    |
|  | DL: 728 ~ 746  | QPSK, 16QAM |  |
| LTE Band 30  | UL: 2305 ~ 2315  | QPSK, 16QAM | 5 MHz, 10 MHz                                |
|  | DL: 2350 ~ 2360  | QPSK, 16QAM |  |
| LTE Band 66  | UL: 1710 ~ 1780  | QPSK, 16QAM | 1.4 M, 3 M, 5 MHz, 10 MHz,<br>15 MHz, 20 MHz |
|  | DL: 2110 ~ 2200  | QPSK, 16QAM |  |
| 2CA Band 2A+2A_DL CA<br>2CA Band 2A+5A_DL CA<br>2CA Band 2A+12A_DL CA<br>2CA Band 2A+29A_DL CA<br>2CA Band 2A+30A_DL CA<br>2CA Band 2A+66A_DL CA<br>2CA Band 5A+30A_DL CA<br>2CA Band 5A+66A_DL CA<br>2CA Band 12A+30A_DL CA<br>2CA Band 12A+66A_DL CA<br>2CA Band 30A+29A_DL CA<br>2CA Band 30A+66A_DL CA<br>2CA Band 66A+66A_DL CA |  |             |  |



|                     |                      |           |
|---------------------|----------------------|-----------|
| Type of Antenna     | Internal IFA Antenna |           |
| Antenna Gain        | LTE Band 2           | 0.03 dBi  |
|                     | LTE Band 4           | 2.08 dBi  |
|                     | LTE Band 5           | -0.01 dBi |
|                     | LTE Band 7           | 1.44 dBi  |
|                     | LTE Band 12          | -0.21 dBi |
|                     | LTE Band 30          | 2.86 dBi  |
|                     | LTE Band 66          | 2.37 dBi  |
| Operate Temp. Range | 0 ~ 55 °C            |           |



| Band      | Channel Bandwidth | Modulation | Max. RF Output Power | E.R.P. /E.I.R.P. |
|-----------|-------------------|------------|----------------------|------------------|
|           |                   |            | (W)                  | (W)              |
| LTE Band2 | 1.4 MHz           | QPSK       | 0.217                | 0.200            |
| LTE Band2 | 1.4 MHz           | 16QAM      | 0.179                | 0.139            |
| LTE Band2 | 3 MHz             | QPSK       | 0.218                | 0.210            |
| LTE Band2 | 3 MHz             | 16QAM      | 0.184                | 0.147            |
| LTE Band2 | 5 MHz             | QPSK       | 0.219                | 0.211            |
| LTE Band2 | 5 MHz             | 16QAM      | 0.185                | 0.125            |
| LTE Band2 | 10 MHz            | QPSK       | 0.230                | 0.209            |
| LTE Band2 | 10 MHz            | 16QAM      | 0.196                | 0.147            |
| LTE Band2 | 15 MHz            | QPSK       | 0.225                | 0.217            |
| LTE Band2 | 15 MHz            | 16QAM      | 0.193                | 0.125            |
| LTE Band2 | 20 MHz            | QPSK       | 0.233                | 0.225            |
| LTE Band2 | 20 MHz            | 16QAM      | 0.201                | 0.141            |
| LTE Band4 | 1.4 MHz           | QPSK       | 0.214                | 0.220            |
| LTE Band4 | 1.4 MHz           | 16QAM      | 0.180                | 0.126            |
| LTE Band4 | 3 MHz             | QPSK       | 0.213                | 0.200            |
| LTE Band4 | 3 MHz             | 16QAM      | 0.181                | 0.119            |
| LTE Band4 | 5 MHz             | QPSK       | 0.218                | 0.212            |
| LTE Band4 | 5 MHz             | 16QAM      | 0.185                | 0.123            |
| LTE Band4 | 10 MHz            | QPSK       | 0.231                | 0.200            |
| LTE Band4 | 10 MHz            | 16QAM      | 0.197                | 0.114            |
| LTE Band4 | 15 MHz            | QPSK       | 0.231                | 0.212            |
| LTE Band4 | 15 MHz            | 16QAM      | 0.193                | 0.105            |
| LTE Band4 | 20 MHz            | QPSK       | 0.232                | 0.204            |
| LTE Band4 | 20 MHz            | 16QAM      | 0.197                | 0.126            |
| LTE Band5 | 1.4 MHz           | QPSK       | 0.203                | 0.192            |
| LTE Band5 | 1.4 MHz           | 16QAM      | 0.169                | 0.124            |
| LTE Band5 | 3 MHz             | QPSK       | 0.198                | 0.191            |
| LTE Band5 | 3 MHz             | 16QAM      | 0.167                | 0.112            |
| LTE Band5 | 5 MHz             | QPSK       | 0.196                | 0.177            |
| LTE Band5 | 5 MHz             | 16QAM      | 0.166                | 0.119            |
| LTE Band5 | 10 MHz            | QPSK       | 0.204                | 0.187            |
| LTE Band5 | 10 MHz            | 16QAM      | 0.172                | 0.119            |



| Band       | Channel Bandwidth | Modulation | Max. RF Output Power | E.R.P. /E.I.R.P. |
|------------|-------------------|------------|----------------------|------------------|
|            |                   |            | (W)                  | (W)              |
| LTE Band7  | 5 MHz             | QPSK       | 0.209                | 0.184            |
| LTE Band7  | 5 MHz             | 16QAM      | 0.180                | 0.131            |
| LTE Band7  | 10 MHz            | QPSK       | 0.216                | 0.218            |
| LTE Band7  | 10 MHz            | 16QAM      | 0.187                | 0.118            |
| LTE Band7  | 15 MHz            | QPSK       | 0.214                | 0.214            |
| LTE Band7  | 15 MHz            | 16QAM      | 0.183                | 0.131            |
| LTE Band7  | 20 MHz            | QPSK       | 0.221                | 0.223            |
| LTE Band7  | 20 MHz            | 16QAM      | 0.189                | 0.148            |
| LTE Band12 | 1.4 MHz           | QPSK       | 0.204                | 0.185            |
| LTE Band12 | 1.4 MHz           | 16QAM      | 0.173                | 0.120            |
| LTE Band12 | 3 MHz             | QPSK       | 0.203                | 0.185            |
| LTE Band12 | 3 MHz             | 16QAM      | 0.171                | 0.128            |
| LTE Band12 | 5 MHz             | QPSK       | 0.202                | 0.181            |
| LTE Band12 | 5 MHz             | 16QAM      | 0.172                | 0.112            |
| LTE Band12 | 10 MHz            | QPSK       | 0.205                | 0.195            |
| LTE Band12 | 10 MHz            | 16QAM      | 0.169                | 0.127            |
| LTE Band30 | 5 MHz             | QPSK       | 0.218                | 0.208            |
| LTE Band30 | 5 MHz             | 16QAM      | 0.185                | 0.126            |
| LTE Band30 | 10 MHz            | QPSK       | 0.229                | 0.203            |
| LTE Band30 | 10 MHz            | 16QAM      | 0.191                | 0.133            |
| LTE Band66 | 1.4 MHz           | QPSK       | 0.208                | 0.231            |
| LTE Band66 | 1.4 MHz           | 16QAM      | 0.177                | 0.135            |
| LTE Band66 | 3 MHz             | QPSK       | 0.211                | 0.202            |
| LTE Band66 | 3 MHz             | 16QAM      | 0.179                | 0.123            |
| LTE Band66 | 5 MHz             | QPSK       | 0.212                | 0.198            |
| LTE Band66 | 5 MHz             | 16QAM      | 0.180                | 0.119            |
| LTE Band66 | 10 MHz            | QPSK       | 0.225                | 0.194            |
| LTE Band66 | 10 MHz            | 16QAM      | 0.189                | 0.122            |
| LTE Band66 | 15 MHz            | QPSK       | 0.222                | 0.191            |
| LTE Band66 | 15 MHz            | 16QAM      | 0.188                | 0.118            |
| LTE Band66 | 20 MHz            | QPSK       | 0.228                | 0.210            |
| LTE Band66 | 20 MHz            | 16QAM      | 0.193                | 0.116            |





| Band      | Channel Bandwidth | Modulation | Emission Designator      |          |
|-----------|-------------------|------------|--------------------------|----------|
|           |                   |            | Occupied Bandwidth (MHz) |          |
| LTE Band2 | 1.4 MHz           | QPSK       | 1.0792                   | 1M80G7D  |
| LTE Band2 | 1.4 MHz           | 16QAM      | 1.0796                   | 1M80W7D  |
| LTE Band2 | 3 MHz             | QPSK       | 2.6869                   | 2M69G7D  |
| LTE Band2 | 3 MHz             | 16QAM      | 2.6893                   | 2M69W7D  |
| LTE Band2 | 5 MHz             | QPSK       | 4.4764                   | 4M48G7D  |
| LTE Band2 | 5 MHz             | 16QAM      | 4.4818                   | 4M48W7D  |
| LTE Band2 | 10 MHz            | QPSK       | 8.9434                   | 8M94G7D  |
| LTE Band2 | 10 MHz            | 16QAM      | 8.9361                   | 8M94W7D  |
| LTE Band2 | 15 MHz            | QPSK       | 13.417                   | 13M42G7D |
| LTE Band2 | 15 MHz            | 16QAM      | 13.409                   | 13M41W7D |
| LTE Band2 | 20 MHz            | QPSK       | 17.870                   | 17M87G7D |
| LTE Band2 | 20 MHz            | 16QAM      | 17.860                   | 17M86W7D |
| LTE Band4 | 1.4 MHz           | QPSK       | 1.0782                   | 1M08G7D  |
| LTE Band4 | 1.4 MHz           | 16QAM      | 1.0809                   | 1M08W7D  |
| LTE Band4 | 3 MHz             | QPSK       | 2.6856                   | 2M69G7D  |
| LTE Band4 | 3 MHz             | 16QAM      | 2.6852                   | 2M69W7D  |
| LTE Band4 | 5 MHz             | QPSK       | 4.4748                   | 4M47G7D  |
| LTE Band4 | 5 MHz             | 16QAM      | 4.4810                   | 4M48W7D  |
| LTE Band4 | 10 MHz            | QPSK       | 8.9396                   | 8M94G7D  |
| LTE Band4 | 10 MHz            | 16QAM      | 8.9419                   | 8M94W7D  |
| LTE Band4 | 15 MHz            | QPSK       | 13.433                   | 13M43G7D |
| LTE Band4 | 15 MHz            | 16QAM      | 13.411                   | 13M41W7D |
| LTE Band4 | 20 MHz            | QPSK       | 17.885                   | 17M89G7D |
| LTE Band4 | 20 MHz            | 16QAM      | 17.876                   | 17M88W7D |
| LTE Band5 | 1.4 MHz           | QPSK       | 1.0765                   | 1M08G7D  |
| LTE Band5 | 1.4 MHz           | 16QAM      | 1.0765                   | 1M08W7D  |
| LTE Band5 | 3 MHz             | QPSK       | 2.6890                   | 2M69G7D  |
| LTE Band5 | 3 MHz             | 16QAM      | 2.6877                   | 2M69W7D  |
| LTE Band5 | 5 MHz             | QPSK       | 4.4809                   | 4M48G7D  |
| LTE Band5 | 5 MHz             | 16QAM      | 4.4913                   | 4M49W7D  |
| LTE Band5 | 10 MHz            | QPSK       | 8.9405                   | 8M94G7D  |
| LTE Band5 | 10 MHz            | 16QAM      | 8.9503                   | 8M95W7D  |



| Band       | Channel Bandwidth | Modulation | Emission Designator<br>Occupied Bandwidth (MHz) |          |
|------------|-------------------|------------|---|----------|
|            |                   |            |   |          |
| LTE Band7  | 5 MHz             | QPSK       | 4.4754  | 4M48G7D  |
| LTE Band7  | 5 MHz             | 16QAM      | 4.4813  | 4M48W7D  |
| LTE Band7  | 10 MHz            | QPSK       | 8.9364  | 8M94G7D  |
| LTE Band7  | 10 MHz            | 16QAM      | 8.9452  | 8M95W7D  |
| LTE Band7  | 15 MHz            | QPSK       | 13.423  | 13M42G7D |
| LTE Band7  | 15 MHz            | 16QAM      | 13.416  | 13M42W7D |
| LTE Band7  | 20 MHz            | QPSK       | 17.847  | 17M85G7D |
| LTE Band7  | 20 MHz            | 16QAM      | 17.850  | 17M85W7D |
| LTE Band12 | 1.4 MHz           | QPSK       | 1.0776  | 1M08G7D  |
| LTE Band12 | 1.4 MHz           | 16QAM      | 1.0785  | 1M08W7D  |
| LTE Band12 | 3 MHz             | QPSK       | 2.6908  | 2M69G7D  |
| LTE Band12 | 3 MHz             | 16QAM      | 2.6903  | 2M69W7D  |
| LTE Band12 | 5 MHz             | QPSK       | 4.4793  | 4M48G7D  |
| LTE Band12 | 5 MHz             | 16QAM      | 4.4934  | 4M49W7D  |
| LTE Band12 | 10 MHz            | QPSK       | 8.9589  | 8M96G7D  |
| LTE Band12 | 10 MHz            | 16QAM      | 8.9635  | 8M96W7D  |
| LTE Band30 | 5 MHz             | QPSK       | 4.4729  | 4M47G7D  |
| LTE Band30 | 5 MHz             | 16QAM      | 4.4840  | 4M48W7D  |
| LTE Band30 | 10 MHz            | QPSK       | 8.9282  | 8M93G7D  |
| LTE Band30 | 10 MHz            | 16QAM      | 8.9424  | 8M94W7D  |
| LTE Band66 | 1.4 MHz           | QPSK       | 1.0769  | 1M08G7D  |
| LTE Band66 | 1.4 MHz           | 16QAM      | 1.0766  | 1M08W7D  |
| LTE Band66 | 3 MHz             | QPSK       | 2.6873  | 2M69G7D  |
| LTE Band66 | 3 MHz             | 16QAM      | 2.6862  | 2M69W7D  |
| LTE Band66 | 5 MHz             | QPSK       | 4.4741  | 4M47G7D  |
| LTE Band66 | 5 MHz             | 16QAM      | 4.4871  | 4M49W7D  |
| LTE Band66 | 10 MHz            | QPSK       | 8.9368  | 8M94G7D  |
| LTE Band66 | 10 MHz            | 16QAM      | 8.9489  | 8M95W7D  |
| LTE Band66 | 15 MHz            | QPSK       | 13.430  | 13M43G7D |
| LTE Band66 | 15 MHz            | 16QAM      | 13.423  | 13M42W7D |
| LTE Band66 | 20 MHz            | QPSK       | 17.870  | 17M88G7D |
| LTE Band66 | 20 MHz            | 16QAM      | 17.881  | 17M88W7D |

## 1.2. Mode of Operation

Three channels had been tested for each channel bandwidth.

| LTE Band 2        |         |                 |         |                 |         |                 |
|-------------------|---------|-----------------|---------|-----------------|---------|-----------------|
| Channel Bandwidth | 1.4 MHz |                 | 3 MHz   |                 | 5 MHz   |                 |
|                   | Channel | Frequency (MHz) | Channel | Frequency (MHz) | Channel | Frequency (MHz) |
| Low CH            | 18607   | 1850.7          | 18615   | 1851.5          | 18625   | 1852.5          |
| Middle CH         | 18900   | 1880.0          | 18900   | 1880.0          | 18900   | 1880.0          |
| High CH           | 19193   | 1909.3          | 19185   | 1908.5          | 19175   | 1907.5          |
| Channel Bandwidth | 10 MHz  |                 | 15 MHz  |                 | 20 MHz  |                 |
|                   | Channel | Frequency (MHz) | Channel | Frequency (MHz) | Channel | Frequency (MHz) |
| Low CH            | 18650   | 1855.0          | 18675   | 1857.5          | 18700   | 1860.0          |
| Middle CH         | 18900   | 1880.0          | 18900   | 1880.0          | 18900   | 1880.0          |
| High CH           | 19150   | 1905.0          | 19125   | 1902.5          | 19100   | 1900.0          |

| LTE Band 4        |         |                 |         |                 |         |                 |
|-------------------|---------|-----------------|---------|-----------------|---------|-----------------|
| Channel Bandwidth | 1.4 MHz |                 | 3 MHz   |                 | 5 MHz   |                 |
|                   | Channel | Frequency (MHz) | Channel | Frequency (MHz) | Channel | Frequency (MHz) |
| Low CH            | 19957   | 1710.7          | 19965   | 1711.5          | 19975   | 1712.5          |
| Middle CH         | 20175   | 1732.5          | 20175   | 1732.5          | 20175   | 1732.5          |
| High CH           | 20393   | 1754.3          | 20385   | 1753.5          | 20375   | 1752.5          |
| Channel Bandwidth | 10 MHz  |                 | 15 MHz  |                 | 20 MHz  |                 |
|                   | Channel | Frequency (MHz) | Channel | Frequency (MHz) | Channel | Frequency (MHz) |
| Low CH            | 20000   | 1715.0          | 20025   | 1717.5          | 20050   | 1720.0          |
| Middle CH         | 20175   | 1732.5          | 20175   | 1732.5          | 20175   | 1732.5          |
| High CH           | 20350   | 1750.0          | 20325   | 1747.5          | 20300   | 1745.0          |

Note: Regards to the frequency band operation: the lowest, middle and highest frequency of channel were selected to perform the test, then shown on this report.



| LTE Band 5        |         |                 |         |                 |
|-------------------|---------|-----------------|---------|-----------------|
| Channel Bandwidth | 1.4 MHz |                 | 3 MHz   |                 |
|                   | Channel | Frequency (MHz) | Channel | Frequency (MHz) |
| Low CH            | 20407   | 824.7           | 20415   | 825.5           |
| Middle CH         | 20525   | 836.5           | 20525   | 836.5           |
| High CH           | 20643   | 848.3           | 20635   | 847.5           |
| Channel Bandwidth | 5 MHz   |                 | 10 MHz  |                 |
|                   | Channel | Frequency (MHz) | Channel | Frequency (MHz) |
| Low CH            | 20425   | 826.5           | 20450   | 829.0           |
| Middle CH         | 20525   | 836.5           | 20525   | 836.5           |
| High CH           | 20625   | 846.5           | 20600   | 844.0           |

| LTE Band 7        |         |                 |         |                 |
|-------------------|---------|-----------------|---------|-----------------|
| Channel Bandwidth | 5 MHz   |                 | 10 MHz  |                 |
|                   | Channel | Frequency (MHz) | Channel | Frequency (MHz) |
| Low CH            | 20775   | 2502.5          | 20800   | 2505.0          |
| Middle CH         | 21100   | 2535.0          | 21100   | 2535.0          |
| High CH           | 21425   | 2567.5          | 21400   | 2565.0          |
| Channel Bandwidth | 15 MHz  |                 | 20 MHz  |                 |
|                   | Channel | Frequency (MHz) | Channel | Frequency (MHz) |
| Low CH            | 20825   | 2507.5          | 20850   | 2510.0          |
| Middle CH         | 21100   | 2535.0          | 21100   | 2535.0          |
| High CH           | 21375   | 2562.5          | 21350   | 2560.0          |

Note: Regards to the frequency band operation: the lowest, middle and highest frequency of channel were selected to perform the test, then shown on this report.

| LTE Band 12       |         |                 |         |                 |
|-------------------|---------|-----------------|---------|-----------------|
| Channel Bandwidth | 1.4 MHz |                 | 3 MHz   |                 |
|                   | Channel | Frequency (MHz) | Channel | Frequency (MHz) |
| Low CH            | 23017   | 699.7           | 23025   | 700.5           |
| Middle CH         | 23095   | 707.5           | 23095   | 707.5           |
| High CH           | 23173   | 715.3           | 23165   | 714.5           |
| Channel Bandwidth | 5 MHz   |                 | 10 MHz  |                 |
|                   | Channel | Frequency (MHz) | Channel | Frequency (MHz) |
| Low CH            | 23035   | 701.5           | 23060   | 704.0           |
| Middle CH         | 23095   | 707.5           | 23095   | 707.5           |
| High CH           | 23155   | 713.5           | 23130   | 711.0           |

| LTE Band 30       |         |                 |         |                 |
|-------------------|---------|-----------------|---------|-----------------|
| Channel Bandwidth | 5 MHz   |                 | 10 MHz  |                 |
|                   | Channel | Frequency (MHz) | Channel | Frequency (MHz) |
| Low CH            | 27685   | 2307.5          | ---     | ---             |
| Middle CH         | 27710   | 2310.0          | 27710   | 2310.0          |
| High CH           | 27735   | 2312.5          | ---     | ---             |

| LTE Band 66       |         |                 |         |                 |         |                 |
|-------------------|---------|-----------------|---------|-----------------|---------|-----------------|
| Channel Bandwidth | 1.4 MHz |                 | 3 MHz   |                 | 5 MHz   |                 |
|                   | Channel | Frequency (MHz) | Channel | Frequency (MHz) | Channel | Frequency (MHz) |
| Low CH            | 131979  | 1710.7          | 131987  | 1711.5          | 131997  | 1712.5          |
| Middle CH         | 132197  | 1732.5          | 132197  | 1732.5          | 132197  | 1732.5          |
| High CH           | 132415  | 1754.3          | 132407  | 1753.5          | 132397  | 1752.5          |
| Channel Bandwidth | 10 MHz  |                 | 15 MHz  |                 | 20 MHz  |                 |
|                   | Channel | Frequency (MHz) | Channel | Frequency (MHz) | Channel | Frequency (MHz) |
| Low CH            | 132022  | 1715.0          | 132047  | 1717.5          | 132072  | 1720.0          |
| Middle CH         | 132197  | 1732.5          | 132197  | 1732.5          | 132197  | 1732.5          |
| High CH           | 132372  | 1750.0          | 132347  | 1747.5          | 132322  | 1745.0          |

Note: Regards to the frequency band operation: the lowest, middle and highest frequency of channel were selected to perform the test, then shown on this report.

During all testing, EUT is in link mode with base station emulator at maximum power level. The spurious emission measurements were carried out in semi-anechoic chamber with 3-meter test range, and EUT is rotated on three test planes to find out the worst emission.

Frequency range investigated for radiated emission: 30 MHz to 26.5 GHz.

| Band          | Channel Bandwidth | Test Modes  |      |
|---------------|-------------------|---|------|
| LTE<br>Band 2 | 1.4 MHz           | <input type="checkbox"/> LTE(RB Size 1, RB Offset 0) Link<br><input checked="" type="checkbox"/> LTE(RB Size 1, RB Offset 2) Link<br><input type="checkbox"/> LTE(RB Size 1, RB Offset 5) Link<br><input type="checkbox"/> LTE(RB Size 3, RB Offset 0) Link<br><input type="checkbox"/> LTE(RB Size 3, RB Offset 1) Link<br><input type="checkbox"/> LTE(RB Size 3, RB Offset 3) Link<br><input type="checkbox"/> LTE(RB Size 6, RB Offset 0) Link          | QPSK |
|               | 3 MHz             | <input type="checkbox"/> LTE(RB Size 1, RB Offset 0) Link<br><input checked="" type="checkbox"/> LTE(RB Size 1, RB Offset 7) Link<br><input type="checkbox"/> LTE(RB Size 1, RB Offset 14) Link<br><input type="checkbox"/> LTE(RB Size 8, RB Offset 0) Link<br><input type="checkbox"/> LTE(RB Size 8, RB Offset 3) Link<br><input type="checkbox"/> LTE(RB Size 8, RB Offset 7) Link<br><input type="checkbox"/> LTE(RB Size 15, RB Offset 0) Link        | QPSK |
|               | 5 MHz             | <input checked="" type="checkbox"/> LTE(RB Size 1, RB Offset 0) Link<br><input type="checkbox"/> LTE(RB Size 1, RB Offset 12) Link<br><input type="checkbox"/> LTE(RB Size 1, RB Offset 24) Link<br><input type="checkbox"/> LTE(RB Size 12, RB Offset 0) Link<br><input type="checkbox"/> LTE(RB Size 12, RB Offset 6) Link<br><input type="checkbox"/> LTE(RB Size 12, RB Offset 13) Link<br><input type="checkbox"/> LTE(RB Size 25, RB Offset 0) Link   | QPSK |
|               | 10 MHz            | <input checked="" type="checkbox"/> LTE(RB Size 1, RB Offset 0) Link<br><input type="checkbox"/> LTE(RB Size 1, RB Offset 24) Link<br><input type="checkbox"/> LTE(RB Size 1, RB Offset 49) Link<br><input type="checkbox"/> LTE(RB Size 25, RB Offset 0) Link<br><input type="checkbox"/> LTE(RB Size 25, RB Offset 12) Link<br><input type="checkbox"/> LTE(RB Size 25, RB Offset 25) Link<br><input type="checkbox"/> LTE(RB Size 50, RB Offset 0) Link  | QPSK |
|               | 15 MHz            | <input type="checkbox"/> LTE(RB Size 1, RB Offset 0) Link<br><input checked="" type="checkbox"/> LTE(RB Size 1, RB Offset 37) Link<br><input type="checkbox"/> LTE(RB Size 1, RB Offset 74) Link<br><input type="checkbox"/> LTE(RB Size 36, RB Offset 0) Link<br><input type="checkbox"/> LTE(RB Size 36, RB Offset 19) Link<br><input type="checkbox"/> LTE(RB Size 36, RB Offset 39) Link<br><input type="checkbox"/> LTE(RB Size 75, RB Offset 0) Link  | QPSK |
|               | 20 MHz            | <input type="checkbox"/> LTE(RB Size 1, RB Offset 0) Link<br><input type="checkbox"/> LTE(RB Size 1, RB Offset 49) Link<br><input checked="" type="checkbox"/> LTE(RB Size 1, RB Offset 99) Link<br><input type="checkbox"/> LTE(RB Size 50, RB Offset 0) Link<br><input type="checkbox"/> LTE(RB Size 50, RB Offset 25) Link<br><input type="checkbox"/> LTE(RB Size 50, RB Offset 50) Link<br><input type="checkbox"/> LTE(RB Size 100, RB Offset 0) Link | QPSK |



| Band          | Channel Bandwidth | Test Modes  |      |
|---------------|-------------------|---|------|
| LTE<br>Band 4 | 1.4 MHz           | <input checked="" type="checkbox"/> LTE(RB Size 1, RB Offset 0) Link<br><input type="checkbox"/> LTE(RB Size 1, RB Offset 2) Link<br><input type="checkbox"/> LTE(RB Size 1, RB Offset 5) Link<br><input type="checkbox"/> LTE(RB Size 3, RB Offset 0) Link<br><input type="checkbox"/> LTE(RB Size 3, RB Offset 1) Link<br><input type="checkbox"/> LTE(RB Size 3, RB Offset 3) Link<br><input type="checkbox"/> LTE(RB Size 6, RB Offset 0) Link          | QPSK |
|               | 3 MHz             | <input checked="" type="checkbox"/> LTE(RB Size 1, RB Offset 0) Link<br><input type="checkbox"/> LTE(RB Size 1, RB Offset 7) Link<br><input type="checkbox"/> LTE(RB Size 1, RB Offset 14) Link<br><input type="checkbox"/> LTE(RB Size 8, RB Offset 0) Link<br><input type="checkbox"/> LTE(RB Size 8, RB Offset 3) Link<br><input type="checkbox"/> LTE(RB Size 8, RB Offset 7) Link<br><input type="checkbox"/> LTE(RB Size 15, RB Offset 0) Link        | QPSK |
|               | 5 MHz             | <input checked="" type="checkbox"/> LTE(RB Size 1, RB Offset 0) Link<br><input type="checkbox"/> LTE(RB Size 1, RB Offset 12) Link<br><input type="checkbox"/> LTE(RB Size 1, RB Offset 24) Link<br><input type="checkbox"/> LTE(RB Size 12, RB Offset 0) Link<br><input type="checkbox"/> LTE(RB Size 12, RB Offset 6) Link<br><input type="checkbox"/> LTE(RB Size 12, RB Offset 13) Link<br><input type="checkbox"/> LTE(RB Size 25, RB Offset 0) Link   | QPSK |
|               | 10 MHz            | <input checked="" type="checkbox"/> LTE(RB Size 1, RB Offset 0) Link<br><input type="checkbox"/> LTE(RB Size 1, RB Offset 24) Link<br><input type="checkbox"/> LTE(RB Size 1, RB Offset 49) Link<br><input type="checkbox"/> LTE(RB Size 25, RB Offset 0) Link<br><input type="checkbox"/> LTE(RB Size 25, RB Offset 12) Link<br><input type="checkbox"/> LTE(RB Size 25, RB Offset 25) Link<br><input type="checkbox"/> LTE(RB Size 50, RB Offset 0) Link  | QPSK |
|               | 15 MHz            | <input checked="" type="checkbox"/> LTE(RB Size 1, RB Offset 0) Link<br><input type="checkbox"/> LTE(RB Size 1, RB Offset 37) Link<br><input type="checkbox"/> LTE(RB Size 1, RB Offset 74) Link<br><input type="checkbox"/> LTE(RB Size 36, RB Offset 0) Link<br><input type="checkbox"/> LTE(RB Size 36, RB Offset 19) Link<br><input type="checkbox"/> LTE(RB Size 36, RB Offset 39) Link<br><input type="checkbox"/> LTE(RB Size 75, RB Offset 0) Link  | QPSK |
|               | 20 MHz            | <input checked="" type="checkbox"/> LTE(RB Size 1, RB Offset 0) Link<br><input type="checkbox"/> LTE(RB Size 1, RB Offset 49) Link<br><input type="checkbox"/> LTE(RB Size 1, RB Offset 99) Link<br><input type="checkbox"/> LTE(RB Size 50, RB Offset 0) Link<br><input type="checkbox"/> LTE(RB Size 50, RB Offset 25) Link<br><input type="checkbox"/> LTE(RB Size 50, RB Offset 50) Link<br><input type="checkbox"/> LTE(RB Size 100, RB Offset 0) Link | QPSK |



| Band          | Channel Bandwidth | Test Modes  |      |
|---------------|-------------------|---|------|
| LTE<br>Band 5 | 1.4 MHz           | <input type="checkbox"/> LTE(RB Size 1, RB Offset 0) Link<br><input checked="" type="checkbox"/> LTE(RB Size 1, RB Offset 2) Link<br><input type="checkbox"/> LTE(RB Size 1, RB Offset 5) Link<br><input type="checkbox"/> LTE(RB Size 3, RB Offset 0) Link<br><input type="checkbox"/> LTE(RB Size 3, RB Offset 1) Link<br><input type="checkbox"/> LTE(RB Size 3, RB Offset 3) Link<br><input type="checkbox"/> LTE(RB Size 6, RB Offset 0) Link          | QPSK |
|               | 3 MHz             | <input checked="" type="checkbox"/> LTE(RB Size 1, RB Offset 0) Link<br><input type="checkbox"/> LTE(RB Size 1, RB Offset 7) Link<br><input type="checkbox"/> LTE(RB Size 1, RB Offset 14) Link<br><input type="checkbox"/> LTE(RB Size 8, RB Offset 0) Link<br><input type="checkbox"/> LTE(RB Size 8, RB Offset 3) Link<br><input type="checkbox"/> LTE(RB Size 8, RB Offset 7) Link<br><input type="checkbox"/> LTE(RB Size 15, RB Offset 0) Link        | QPSK |
|               | 5 MHz             | <input type="checkbox"/> LTE(RB Size 1, RB Offset 0) Link<br><input checked="" type="checkbox"/> LTE(RB Size 1, RB Offset 12) Link<br><input type="checkbox"/> LTE(RB Size 1, RB Offset 24) Link<br><input type="checkbox"/> LTE(RB Size 12, RB Offset 0) Link<br><input type="checkbox"/> LTE(RB Size 12, RB Offset 6) Link<br><input type="checkbox"/> LTE(RB Size 12, RB Offset 13) Link<br><input type="checkbox"/> LTE(RB Size 25, RB Offset 0) Link   | QPSK |
|               | 10 MHz            | <input type="checkbox"/> LTE(RB Size 1, RB Offset 0) Link<br><input checked="" type="checkbox"/> LTE(RB Size 1, RB Offset 24) Link<br><input type="checkbox"/> LTE(RB Size 1, RB Offset 49) Link<br><input type="checkbox"/> LTE(RB Size 25, RB Offset 0) Link<br><input type="checkbox"/> LTE(RB Size 25, RB Offset 12) Link<br><input type="checkbox"/> LTE(RB Size 25, RB Offset 25) Link<br><input type="checkbox"/> LTE(RB Size 50, RB Offset 0) Link  | QPSK |
| LTE<br>Band 7 | 5 MHz             | <input type="checkbox"/> LTE(RB Size 1, RB Offset 0) Link<br><input checked="" type="checkbox"/> LTE(RB Size 1, RB Offset 12) Link<br><input type="checkbox"/> LTE(RB Size 1, RB Offset 24) Link<br><input type="checkbox"/> LTE(RB Size 12, RB Offset 0) Link<br><input type="checkbox"/> LTE(RB Size 12, RB Offset 6) Link<br><input type="checkbox"/> LTE(RB Size 12, RB Offset 13) Link<br><input type="checkbox"/> LTE(RB Size 25, RB Offset 0) Link   | QPSK |
|               | 10 MHz            | <input checked="" type="checkbox"/> LTE(RB Size 1, RB Offset 0) Link<br><input type="checkbox"/> LTE(RB Size 1, RB Offset 24) Link<br><input type="checkbox"/> LTE(RB Size 1, RB Offset 49) Link<br><input type="checkbox"/> LTE(RB Size 25, RB Offset 0) Link<br><input type="checkbox"/> LTE(RB Size 25, RB Offset 12) Link<br><input type="checkbox"/> LTE(RB Size 25, RB Offset 25) Link<br><input type="checkbox"/> LTE(RB Size 50, RB Offset 0) Link  | QPSK |
|               | 15 MHz            | <input type="checkbox"/> LTE(RB Size 1, RB Offset 0) Link<br><input type="checkbox"/> LTE(RB Size 1, RB Offset 37) Link<br><input checked="" type="checkbox"/> LTE(RB Size 1, RB Offset 74) Link<br><input type="checkbox"/> LTE(RB Size 36, RB Offset 0) Link<br><input type="checkbox"/> LTE(RB Size 36, RB Offset 19) Link<br><input type="checkbox"/> LTE(RB Size 36, RB Offset 39) Link<br><input type="checkbox"/> LTE(RB Size 75, RB Offset 0) Link  | QPSK |
|               | 20 MHz            | <input type="checkbox"/> LTE(RB Size 1, RB Offset 0) Link<br><input type="checkbox"/> LTE(RB Size 1, RB Offset 49) Link<br><input checked="" type="checkbox"/> LTE(RB Size 1, RB Offset 99) Link<br><input type="checkbox"/> LTE(RB Size 50, RB Offset 0) Link<br><input type="checkbox"/> LTE(RB Size 50, RB Offset 25) Link<br><input type="checkbox"/> LTE(RB Size 50, RB Offset 50) Link<br><input type="checkbox"/> LTE(RB Size 100, RB Offset 0) Link | QPSK |





| Band           | Channel Bandwidth | Test Modes   |      |
|----------------|-------------------|--|------|
| LTE<br>Band 12 | 1.4 MHz           | <input type="checkbox"/> LTE(RB Size 1, RB Offset 0) Link<br><input checked="" type="checkbox"/> LTE(RB Size 1, RB Offset 2) Link<br><input type="checkbox"/> LTE(RB Size 1, RB Offset 5) Link<br><input type="checkbox"/> LTE(RB Size 3, RB Offset 0) Link<br><input type="checkbox"/> LTE(RB Size 3, RB Offset 1) Link<br><input type="checkbox"/> LTE(RB Size 3, RB Offset 3) Link<br><input type="checkbox"/> LTE(RB Size 6, RB Offset 0) Link         | QPSK |
|                | 3 MHz             | <input type="checkbox"/> LTE(RB Size 1, RB Offset 0) Link<br><input type="checkbox"/> LTE(RB Size 1, RB Offset 7) Link<br><input checked="" type="checkbox"/> LTE(RB Size 1, RB Offset 14) Link<br><input type="checkbox"/> LTE(RB Size 8, RB Offset 0) Link<br><input type="checkbox"/> LTE(RB Size 8, RB Offset 3) Link<br><input type="checkbox"/> LTE(RB Size 8, RB Offset 7) Link<br><input type="checkbox"/> LTE(RB Size 15, RB Offset 0) Link       | QPSK |
|                | 5 MHz             | <input type="checkbox"/> LTE(RB Size 1, RB Offset 0) Link<br><input type="checkbox"/> LTE(RB Size 1, RB Offset 12) Link<br><input checked="" type="checkbox"/> LTE(RB Size 1, RB Offset 24) Link<br><input type="checkbox"/> LTE(RB Size 12, RB Offset 0) Link<br><input type="checkbox"/> LTE(RB Size 12, RB Offset 6) Link<br><input type="checkbox"/> LTE(RB Size 12, RB Offset 13) Link<br><input type="checkbox"/> LTE(RB Size 25, RB Offset 0) Link  | QPSK |
|                | 10 MHz            | <input type="checkbox"/> LTE(RB Size 1, RB Offset 0) Link<br><input type="checkbox"/> LTE(RB Size 1, RB Offset 24) Link<br><input checked="" type="checkbox"/> LTE(RB Size 1, RB Offset 49) Link<br><input type="checkbox"/> LTE(RB Size 25, RB Offset 0) Link<br><input type="checkbox"/> LTE(RB Size 25, RB Offset 12) Link<br><input type="checkbox"/> LTE(RB Size 25, RB Offset 25) Link<br><input type="checkbox"/> LTE(RB Size 50, RB Offset 0) Link | QPSK |
| LTE<br>Band 30 | 5 MHz             | <input checked="" type="checkbox"/> LTE(RB Size 1, RB Offset 0) Link<br><input type="checkbox"/> LTE(RB Size 1, RB Offset 12) Link<br><input type="checkbox"/> LTE(RB Size 1, RB Offset 24) Link<br><input type="checkbox"/> LTE(RB Size 12, RB Offset 0) Link<br><input type="checkbox"/> LTE(RB Size 12, RB Offset 6) Link<br><input type="checkbox"/> LTE(RB Size 12, RB Offset 13) Link<br><input type="checkbox"/> LTE(RB Size 25, RB Offset 0) Link  | QPSK |
|                | 10 MHz            | <input checked="" type="checkbox"/> LTE(RB Size 1, RB Offset 0) Link<br><input type="checkbox"/> LTE(RB Size 1, RB Offset 24) Link<br><input type="checkbox"/> LTE(RB Size 1, RB Offset 49) Link<br><input type="checkbox"/> LTE(RB Size 25, RB Offset 0) Link<br><input type="checkbox"/> LTE(RB Size 25, RB Offset 12) Link<br><input type="checkbox"/> LTE(RB Size 25, RB Offset 25) Link<br><input type="checkbox"/> LTE(RB Size 50, RB Offset 0) Link | QPSK |

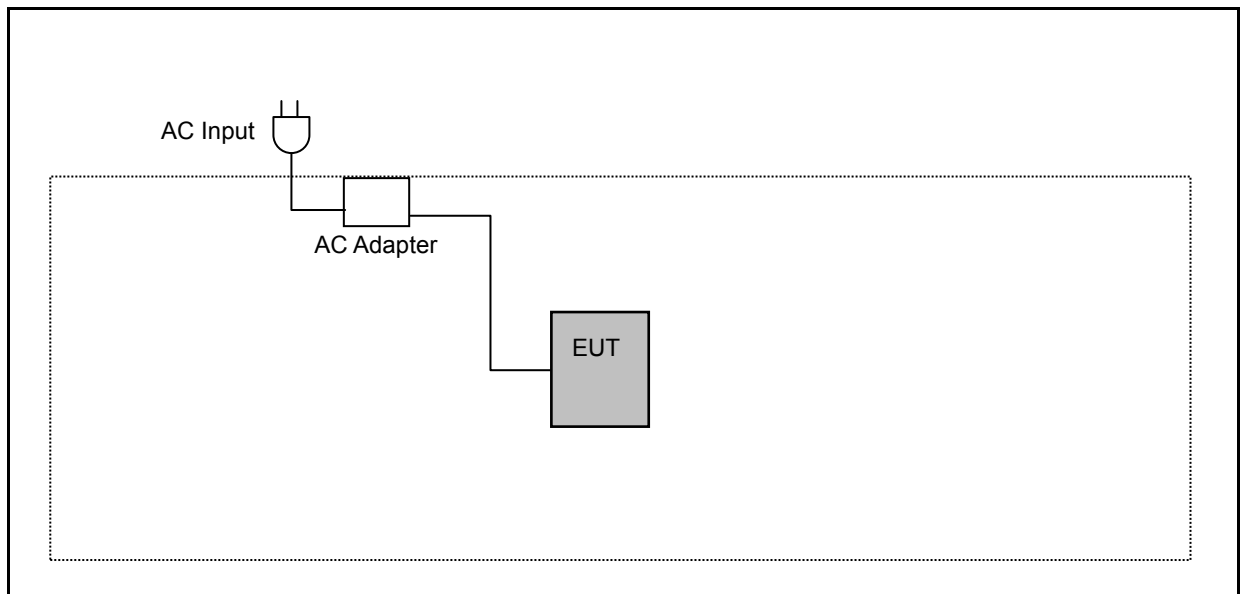


| Band           | Channel Bandwidth | Test Modes  |      |
|----------------|-------------------|---|------|
| LTE<br>Band 66 | 1.4 MHz           | <input checked="" type="checkbox"/> LTE(RB Size 1, RB Offset 0) Link<br><input type="checkbox"/> LTE(RB Size 1, RB Offset 2) Link<br><input type="checkbox"/> LTE(RB Size 1, RB Offset 5) Link<br><input type="checkbox"/> LTE(RB Size 3, RB Offset 0) Link<br><input type="checkbox"/> LTE(RB Size 3, RB Offset 1) Link<br><input type="checkbox"/> LTE(RB Size 3, RB Offset 3) Link<br><input type="checkbox"/> LTE(RB Size 6, RB Offset 0) Link          | QPSK |
|                | 3 MHz             | <input checked="" type="checkbox"/> LTE(RB Size 1, RB Offset 0) Link<br><input type="checkbox"/> LTE(RB Size 1, RB Offset 7) Link<br><input type="checkbox"/> LTE(RB Size 1, RB Offset 14) Link<br><input type="checkbox"/> LTE(RB Size 8, RB Offset 0) Link<br><input type="checkbox"/> LTE(RB Size 8, RB Offset 3) Link<br><input type="checkbox"/> LTE(RB Size 8, RB Offset 7) Link<br><input type="checkbox"/> LTE(RB Size 15, RB Offset 0) Link        | QPSK |
|                | 5 MHz             | <input checked="" type="checkbox"/> LTE(RB Size 1, RB Offset 0) Link<br><input type="checkbox"/> LTE(RB Size 1, RB Offset 12) Link<br><input type="checkbox"/> LTE(RB Size 1, RB Offset 24) Link<br><input type="checkbox"/> LTE(RB Size 12, RB Offset 0) Link<br><input type="checkbox"/> LTE(RB Size 12, RB Offset 6) Link<br><input type="checkbox"/> LTE(RB Size 12, RB Offset 13) Link<br><input type="checkbox"/> LTE(RB Size 25, RB Offset 0) Link   | QPSK |
|                | 10 MHz            | <input checked="" type="checkbox"/> LTE(RB Size 1, RB Offset 0) Link<br><input type="checkbox"/> LTE(RB Size 1, RB Offset 24) Link<br><input type="checkbox"/> LTE(RB Size 1, RB Offset 49) Link<br><input type="checkbox"/> LTE(RB Size 25, RB Offset 0) Link<br><input type="checkbox"/> LTE(RB Size 25, RB Offset 12) Link<br><input type="checkbox"/> LTE(RB Size 25, RB Offset 25) Link<br><input type="checkbox"/> LTE(RB Size 50, RB Offset 0) Link  | QPSK |
|                | 15 MHz            | <input checked="" type="checkbox"/> LTE(RB Size 1, RB Offset 0) Link<br><input type="checkbox"/> LTE(RB Size 1, RB Offset 37) Link<br><input type="checkbox"/> LTE(RB Size 1, RB Offset 74) Link<br><input type="checkbox"/> LTE(RB Size 36, RB Offset 0) Link<br><input type="checkbox"/> LTE(RB Size 36, RB Offset 19) Link<br><input type="checkbox"/> LTE(RB Size 36, RB Offset 39) Link<br><input type="checkbox"/> LTE(RB Size 75, RB Offset 0) Link  | QPSK |
|                | 20 MHz            | <input checked="" type="checkbox"/> LTE(RB Size 1, RB Offset 0) Link<br><input type="checkbox"/> LTE(RB Size 1, RB Offset 49) Link<br><input type="checkbox"/> LTE(RB Size 1, RB Offset 99) Link<br><input type="checkbox"/> LTE(RB Size 50, RB Offset 0) Link<br><input type="checkbox"/> LTE(RB Size 50, RB Offset 25) Link<br><input type="checkbox"/> LTE(RB Size 50, RB Offset 50) Link<br><input type="checkbox"/> LTE(RB Size 100, RB Offset 0) Link | QPSK |

### 1.3. EUT Test Step

|   |  |
|---|--|
| 1 | Setup the EUT shown on "Configuration of Test System Details". |
| 2 | Turn on the power of all equipment.                            |
| 3 | EUT run test program test.                                     |

### 1.4. Configuration of Test System Details



| Devices Description |         |              |              |               |            |
|---------------------|---------|--------------|--------------|---------------|------------|
|                     | Product | Manufacturer | Model Number | Serial Number | Power Cord |
| (1)                 | ---     | ---          | ---          | ---           | ---        |



## 1.5. Test Instruments

For Conducted

Test Period: Aug. 18 ~ Aug. 24, 2018

| Equipment                      | Manufacturer | Model Number       | Serial Number | Cal. Date  | Cal. Period |
|--------------------------------|--------------|--------------------|---------------|------------|-------------|
| Temperature & Humidity Chamber | TAICHY       | MHU-225LA          | 980729        | 04/16/2018 | 1 year      |
| Power Supply                   | KEITHLEY     | 2303               | 4045290       | 02/08/2018 | 1 year      |
| Divider                        | Warison      | WDIV-210.5-26.5S20 | WR222AM2B1    | 02/27/2018 | 1 year      |
| EXA Spectrum Analyzer          | Agilent      | N9010A             | MY48030518    | 11/20/2018 | 1 year      |
| Radio Communication Analyzer   | Anritsu      | MT8820C            | 6201342039    | 12/10/2017 | 1 year      |
| Radio Communication Analyzer   | Anritsu      | MT8821C            | 6201300618    | 06/20/2018 | 1 year      |

For Radiated Emissions

Test Period: Aug. 20 ~ Aug. 25, 2018

| Equipment                           | Manufacturer                   | Model Number | Serial Number | Cal. Date  | Cal. Period |
|-------------------------------------|--------------------------------|--------------|---------------|------------|-------------|
| Spectrum Analyzer<br>(10 Hz~44 GHz) | Keysight                       | N9010A       | MY52221312    | 01/15/2018 | 1 year      |
| Pre Amplifier<br>(1~26.5 GHz)       | Agilent                        | 8449B        | 3008A02237    | 10/16/2017 | 1 year      |
| Pre Amplifier<br>(100 kHz~1.3 GHz)  | Agilent                        | 8447D        | 2944A11119    | 01/10/2018 | 1 year      |
| Broadband Antenna                   | SCHWARZBECK<br>MESS-ELEKTRONIK | VULB 9168    | 416           | 10/26/2017 | 1 year      |
| Horn Antenna<br>(1~18 GHz)          | ETS-Lindgren                   | 3117         | 00128055      | 09/27/2017 | 1 year      |
| Horn Antenna<br>(18~40 GHz)         | ETS-Lindgren                   | 3116         | 86467         | 09/19/2017 | 1 year      |



### 1.6. Test Site Environment

| Items                      | Required (IEC 68-1) | Actual |
|----------------------------|---------------------|--------|
| Temperature (°C)           | 15-35               | 26     |
| Humidity (%RH)             | 25-75               | 60     |
| Barometric pressure (mbar) | 860-1060            | 950    |

| Test Setting Condition |                    |           |
|------------------------|--------------------|-----------|
| L.V.                   | Low Voltage        | DC 3.5 V  |
| N.V.                   | Normal Voltage     | DC 3.8 V  |
| H.V.                   | High Voltage       | DC 4.35 V |
| L.T.                   | Low Temperature    | 0 °C      |
| N.T.                   | Normal Temperature | +25 °C    |
| H.T.                   | High Temperature   | +55 °C    |

### 1.7. Summary of Test Result

| FCC Rule                                | Description  | Result |
|---|--|--------|
| §2.1046                                 | Conducted Output Average Power                                     | Pass   |
| §22.913<br>§24.232<br>§27.50            | Equivalent Isotropic Radiated Power /<br>Equivalent Radiated Power | Pass   |
| §2.1055<br>§22.355<br>§24.235<br>§27.54 | Frequency Stability  | Pass   |
| §2.1049                                 | Emission Bandwidth & Occupied Bandwidth                            | Pass   |
| §24.232<br>§27.50                       | Peak to average ratio  | Pass   |
| §2.1051<br>§22.917<br>§24.238<br>§27.53 | Band Edge  | Pass   |
| §2.1051<br>§22.917<br>§24.238<br>§27.53 | Conducted Spurious Emissions                                       | Pass   |
| §2.1053<br>§22.917<br>§24.238<br>§27.53 | Radiated Spurious Emissions  | Pass   |

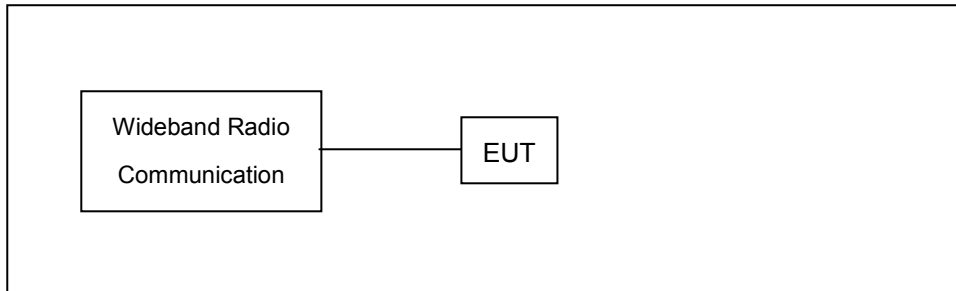
## 2 Measurement Procedure

### 2.1. Conducted Output Average Power Test

- **Limit**

N/A

- **Test Setup**



- **Test Procedure**

- a. The EUT was set up for the maximum power with simulator.
- b. Set the EUT to transmit under low, middle and high channel and record the power level shown on simulator.

- **Uncertainty**

The measurement uncertainty is defined as for Conducted Power measurement is 1.2 dB.

## 2.2. Effective Radiated Power / Equivalent Isotropic Radiated Power Test

### ■ Limit

For FCC Part 27: The EIRP of mobile transmitters and auxiliary test transmitters must not exceed 1 Watts.

For FCC Part 27.50(c)(9): Control and mobile stations in the 698-746 MHz band are limited to 30 watts ERP.

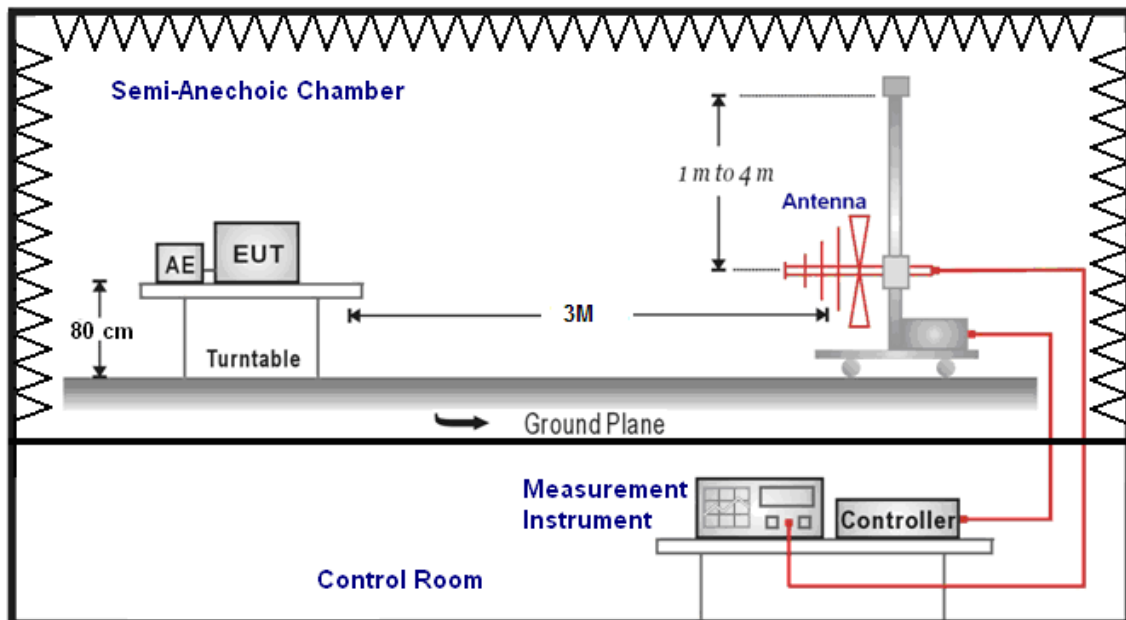
For FCC Part 27.50(h)(2): Mobile stations are limited to 2.0 watts EIRP.

For FCC Part 22.913(a)(2): The ERP of mobile transmitters and auxiliary test transmitters must not exceed 7 Watts.

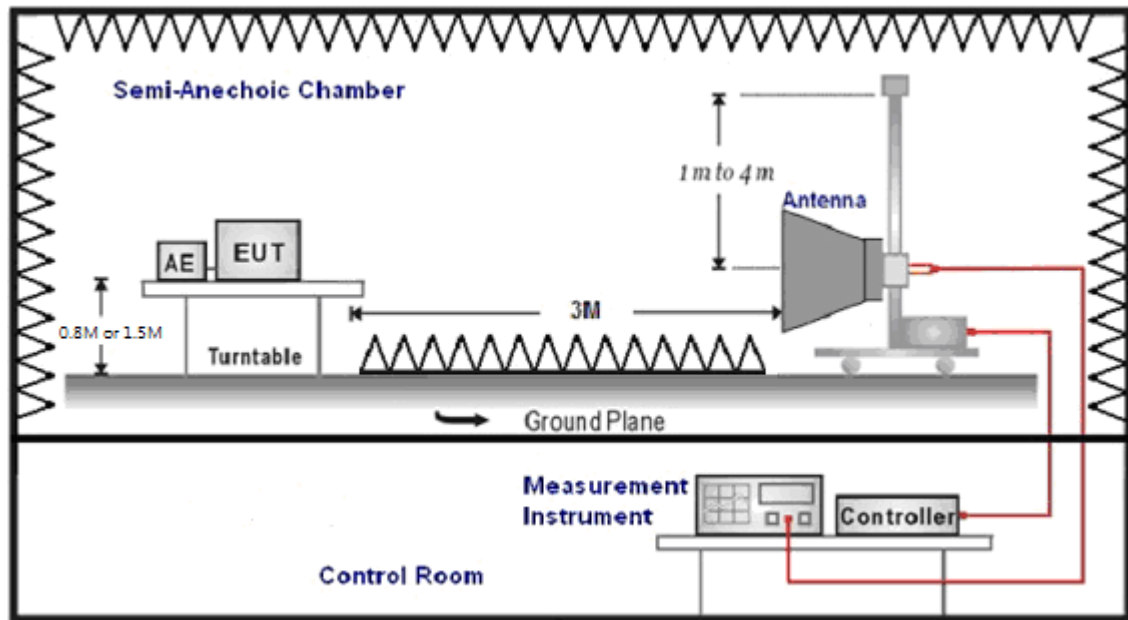
For FCC Part 24.232(b): The EIRP of mobile transmitters and auxiliary test transmitters must not exceed 2 Watts.

### ■ Test Setup

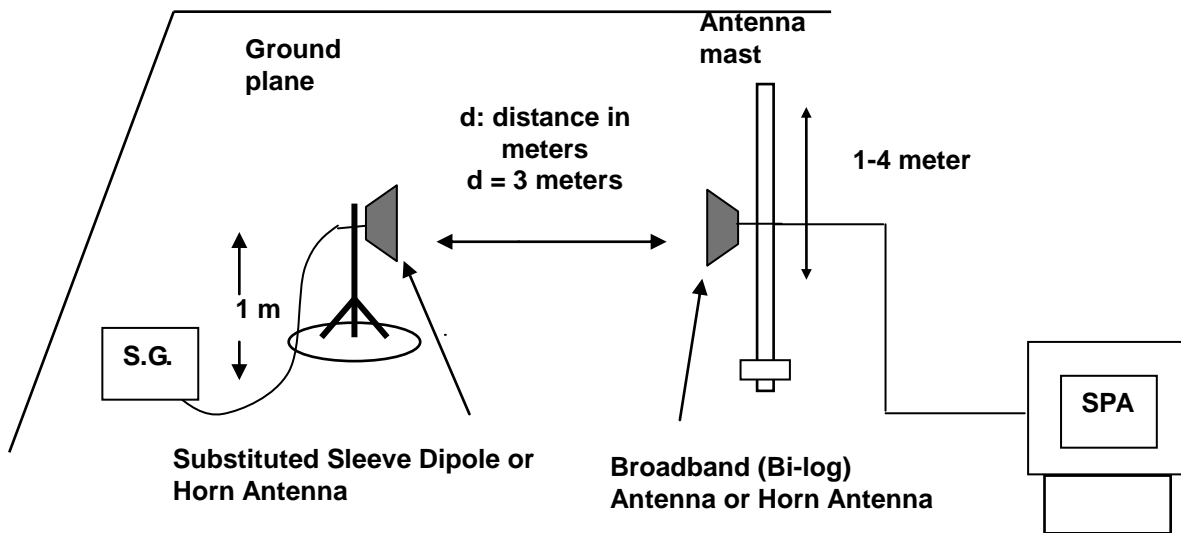
Below 1 GHz



Above 1 GHz



For Substituted Method Test Set-UP







### ■ Test Procedure

- a. The EUT was set up for the maximum power with wwan link data modulation. The power was measured with Spectrum Analyzer. All measurements were done at 3 channels (low, middle and high operational frequency range).
- b. E.I.R.P power measurement. In the semi-anechoic chamber, EUT placed on the 0.8 m height of Turn Table, rotated the table around 360 degrees to search the maximum radiation power and receiver antenna shall be rotated vertical and horizontal polarization and moved height from 1m to 4 m to find the maximum polar radiated power. The “Read Value” is the spectrum reading the maximum power value.
- c. The substitution antenna (Note:1 & 2) is substituted for EUT at the same position and signals generator export the CW signal to the substitution antenna via a TX cable. Rotated the Turn Table and moved receiving antenna to find the maximum radiation power. Adjust output power level of S.G to get a Value of spectrum reading equal to “Read Value” of step a. Record the power level of S.G.
- d. E.I.R.P. = Output power level of S.G - TX cable loss + Antenna gain of substitution horn
- e. E.R.P. = E.I.R.P- 2.15 dB

Note: 1. Below 1 GHz Substituted Method Test : Sleeve dipole antenna to Bi-Log Antenna

2. Above 1 GHz Substituted Method Test : Horn antenna to Horn Antenna

### ■ Uncertainty

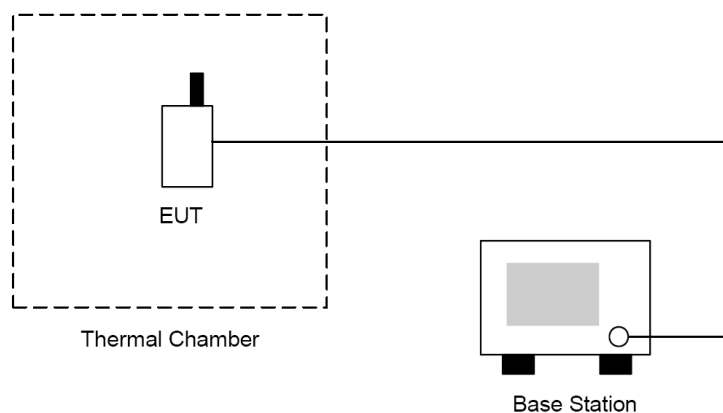
The measurement uncertainty is defined as for Field Strength of Spurious Radiation measurement is  $\pm 3.072$  dB.

## 2.3. Frequency Stability Test

### ■ Limit

According to the FCC rule shall be tested the frequency stability. The rule is defined that” The frequency stability shall be sufficient to ensure that the fundamental emissions stay within the authorized bands of operation. The test extreme voltage is according to the 2.1055(d)(1) Vary primary supply voltage from 85 to 115 percent of the nominal value for other than hand carried battery equipment and the extreme temperature rule is comply with the 2.1055(a)(1) -30 °C ~ 50 °C.

### ■ Setup



### ■ Test Procedure

1. The EUT and test equipment were set up as shown on the following section.
2. With all power removed, the temperature was decreased to -30 °C and permitted to stabilize for three hours. Power was applied and the maximum change in frequency was note within one minute.
3. With power OFF, the temperature was raised in 10 °C steps. The sample was permitted to stabilize at each step for at least one-half hour. Power was applied and the maximum frequency change was noted within one minute.
4. The EUT was placed in a temperature chamber at  $25 \pm 5$  °C and connected as the following section.
5. The power supply voltage to the EUT was varied from BEP to 115 % of the nominal value measured at the input to the EUT.
6. The temperature tests were performed for the worst case.
7. Test data was recorded.

### ■ Uncertainty

The measurement uncertainty is defined as for Frequency Stability measurement is  $\pm 10$  Hz.

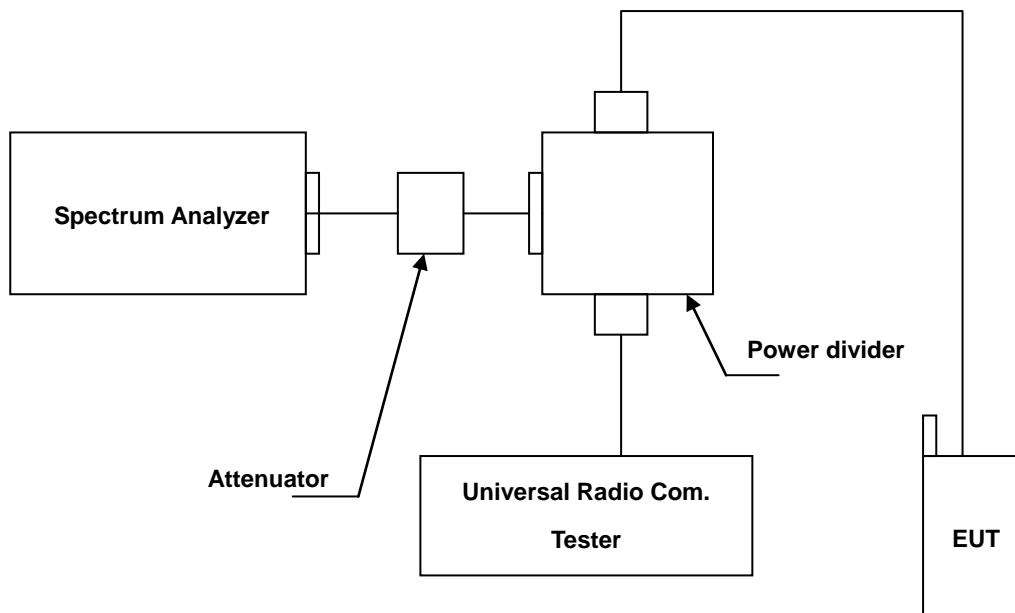
## 2.4. Emission Bandwidth & Occupied Bandwidth Test

### ■ Limit

The width of a frequency band such that, below the lower and above the upper frequency limits, the mean powers emitted are each equal to a specified percentage 0.5 % of the total mean power of a given emission.

The emission bandwidth is defined as the width of the signal between two points, located at the 2 sides of the carrier frequency, outside of which all emissions are attenuated at least 26 dB below the transmitter power.

### ■ Setup



### ■ Test Procedure

- The EUT makes a phone call to the communication simulator. The power was measured with Spectrum Analyzer. All measurements were done at 3 channels. (low, middle and high operational frequency range.)
- The conducted occupied bandwidth used the power splitter via EUT RF power connector between simulation base station and spectrum analyzer.
- The communication simulator station system controlled a EUT to export maximum output power under transmission mode and specific channel frequency. Use OBW measurement function of Spectrum analyzer to measure 99 % occupied bandwidth.

### ■ Uncertainty

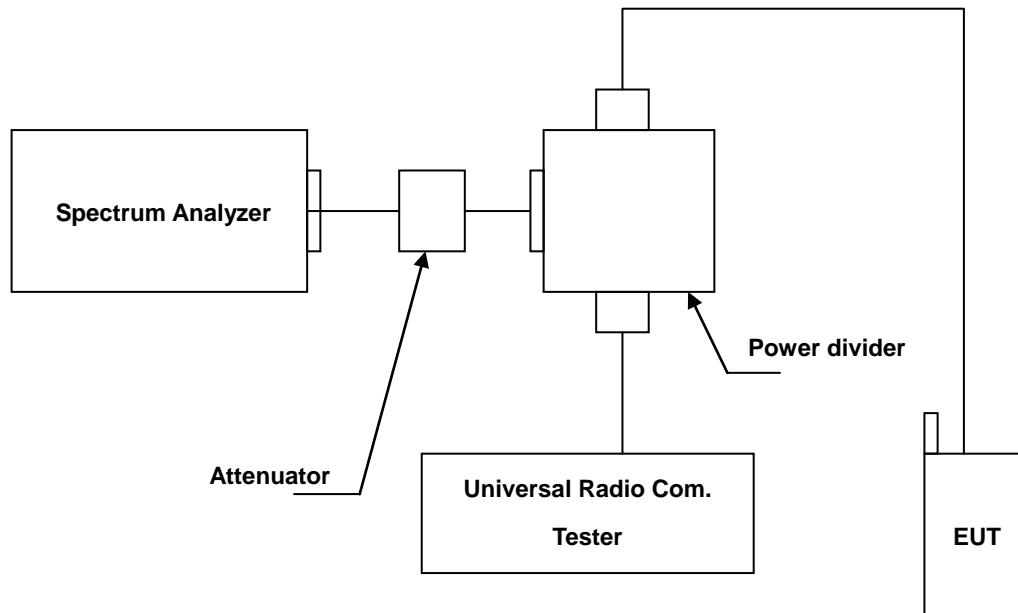
The measurement uncertainty is defined as  $\pm 10$  Hz

## 2.5. Peak to Average Ratio Test

### ■ Limit

In measuring transmissions in this band using an average power technique, the peak to-average ratio (PAR) of the transmission may not exceed 13 dB.

### ■ Setup



### ■ Test Procedure

- Set resolution/measurement bandwidth signal's occupied bandwidth;
- Set the number of counts to a value that stabilizes the measured CCDF curve;
- Record the maximum PAPR level associated with a probability of 0.1 %.

### ■ Uncertainty

The measurement uncertainty is defined as for Conducted Power measurement is 1.2 dB.



## 2.6. Band Edge Test

### ■ Limit

The Band Edge Limit:

§22.917(a), §24.238(a)

The power of any emission outside of the authorized operating frequency ranges must be attenuated below the transmitting power (P) by a factor of at least  $43 + 10 \log(P)$  dB.

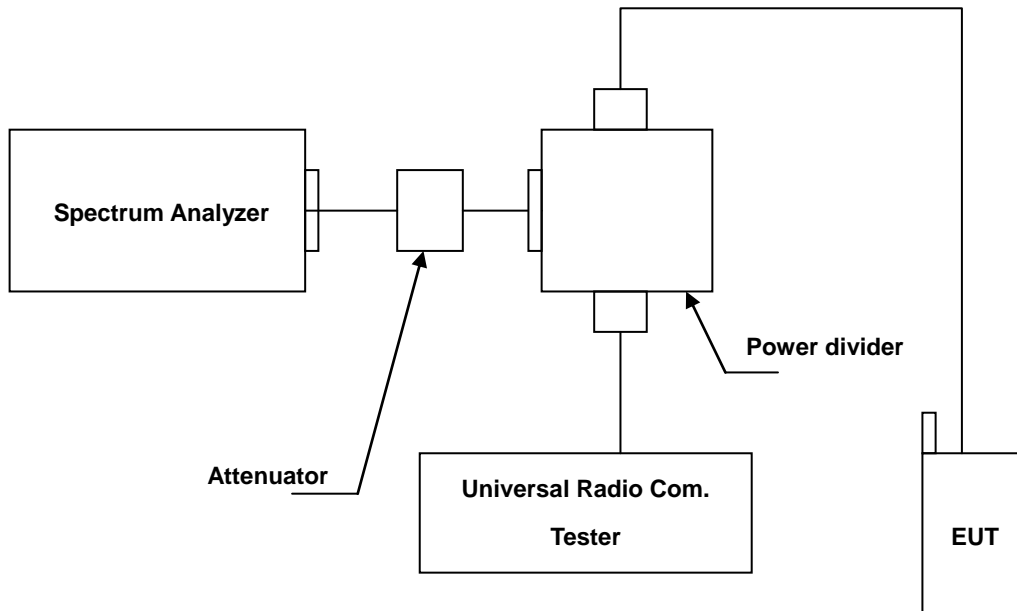
§27.53(g)

The power of any emission outside a licensee's frequency block shall be attenuated below the transmitter power (P) in watts by at least  $43 + 10 \log_{10}(P)$  dB.

§27.53(m)

For mobile digital stations, the attenuation factor shall be not less than  $43 + 10 \log(p)$  dB at the channel edge and  $55 + 10 \log(P)$  dB at 5.5 megahertz from the channel edges.

## ■ Setup



## ■ Test Procedure

- The EUT was set up for the maximum peak power with WWAN link data modulation. The power was measured with Spectrum Analyzer. All measurements were done at 2 channels (low and high operational frequency range.)
- The band edge measurement used the power splitter via EUT RF power connector between simulation base station and spectrum analyzer. This splitter loss and cable loss are the worst loss in the transmitted path track.
- The center frequency of spectrum is the band edge frequency and span is 2 MHz. RB of the resolution bandwidth of at least one percent of the emission bandwidth.
- Record the max trace plot into the test report.

## ■ Uncertainty

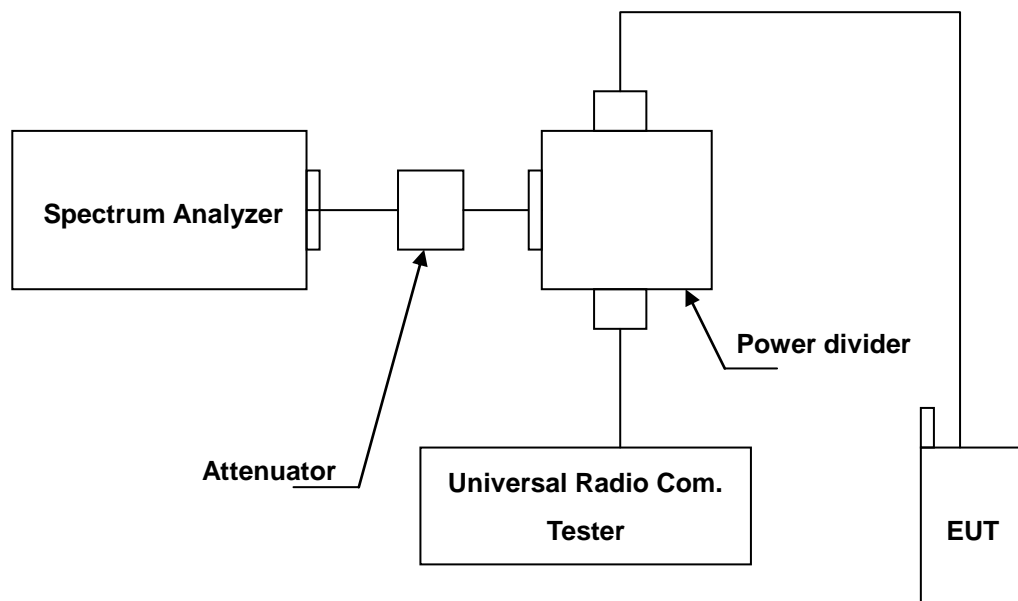
The measurement uncertainty is defined as for Conducted Power measurement is 1.2 dB.

## 2.7. Conducted Spurious Emission Test

### ■ Limit

The power of any emission outside a licensee's frequency block shall be attenuated below the transmitter power (P) by at least  $43 + 10 \log_{10}(P)$  dB. The limit of emission equal to -13 dBm

### ■ Setup





■ **Test Procedure**

- a. The EUT was set up for the maximum peak power with WWAN link data modulation. The power was measured with Spectrum Analyzer. All measurements were done at 3 channels (low, middle and high operational frequency range.).
- b. The conducted spurious emission used the power splitter via EUT RF power connector between simulation base station and spectrum analyzer.
- c. When the spectrum scanned from 10 MHz to 10<sup>th</sup> harmonic. The spectrum set RB=1 MHz, VB=3 MHz.

■ **Uncertainty**

The measurement uncertainty is evaluated as  $\pm 2.24$  dB.



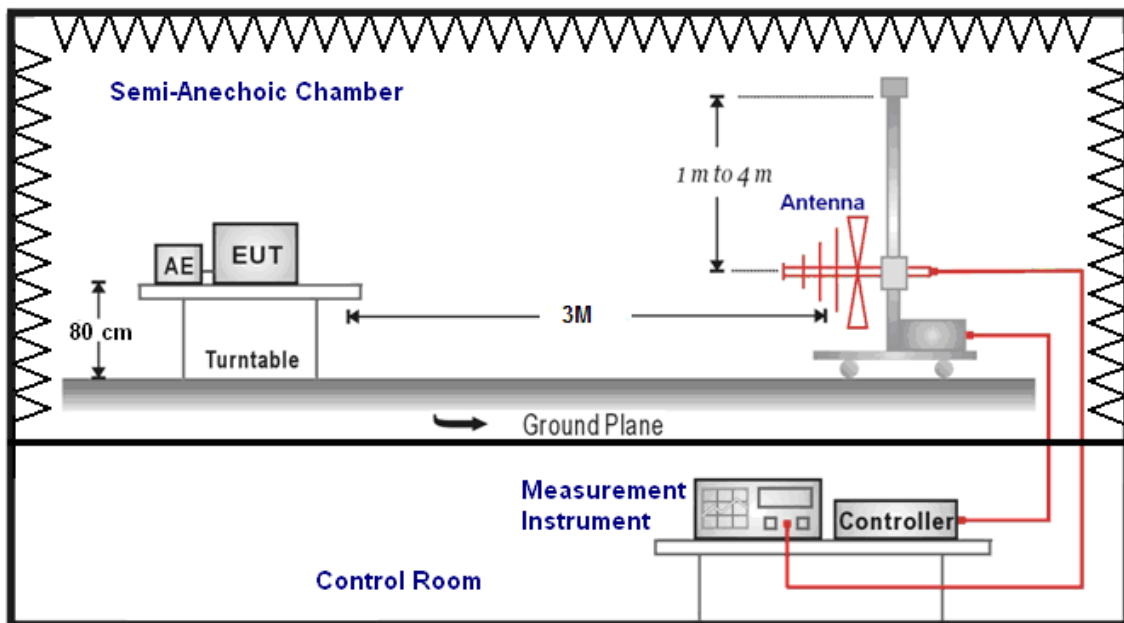
## 2.8. Radiated Emission Test

### ■ Limit

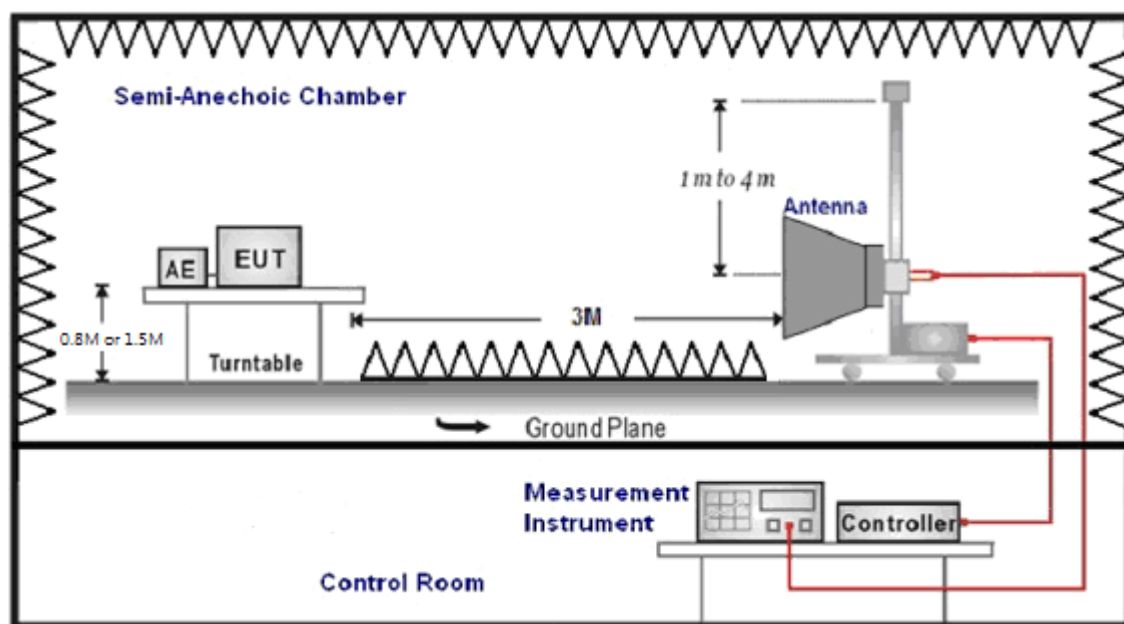
The power of any emission outside a licensee's frequency block shall be attenuated below the transmitter power (P) by at least  $43 + 10 \log_{10}(P)$  dB. The limit of emission equal to -13 dBm

### ■ Setup

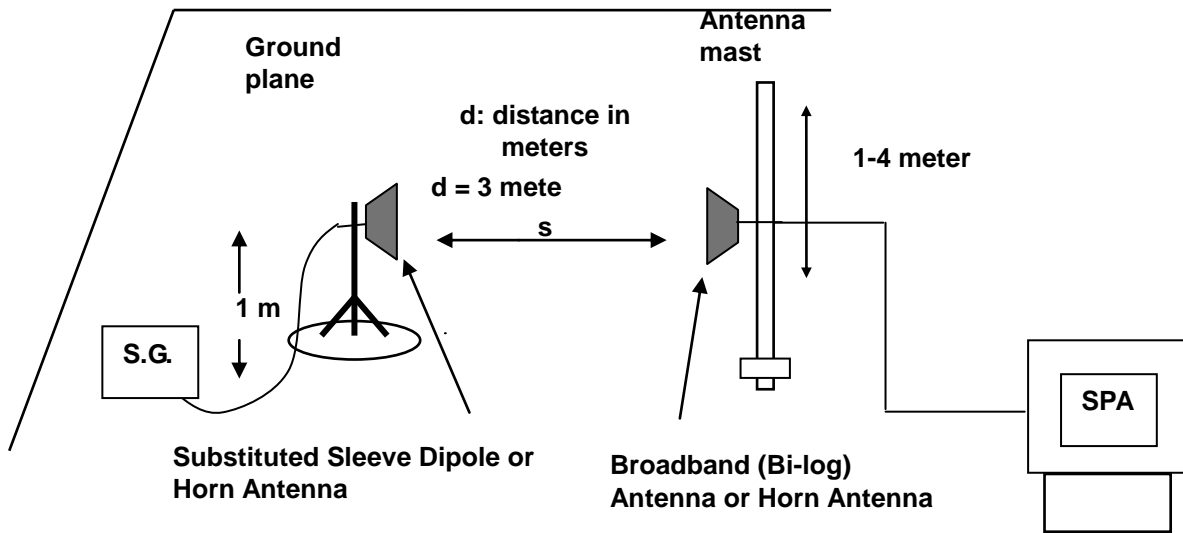
Below 1 GHz



Above 1 GHz



For Substituted Method Test Set-UP



#### ■ Test Procedure

- a. The EUT was set up for the maximum power with wwan link data modulation. The power was measured with Spectrum Analyzer. All measurements were done at 3 channels (low, middle and high operational frequency range).
- b. Radiation Emission measurement. In the semi-anechoic chamber, EUT placed on the 0.8 m height of Turn Table, rotated the table around 360 degrees to search the maximum radiation power and receiver antenna shall be rotated vertical and horizontal polarization and moved height from 1m to 4 m to find the maximum polar radiated power. The "Read Value" is the spectrum reading the maximum power value.
- c. The substitution antenna (Note:1 & 2) is substituted for EUT at the same position and signals generator export the CW signal to the substitution antenna via a TX cable. Rotated the Turn Table and moved receiving antenna to find the maximum radiation power. Adjust output power level of S.G to get a Value of spectrum reading equal to "Read Value" of step a. Record the power level of S.G.
- d.  $E.I.R.P. = \text{Output power level of S.G} - \text{TX cable loss} + \text{Antenna gain of substitution horn}$
- e.  $E.R.P. = E.I.R.P. - 2.15 \text{ dB}$

Note: 1. Below 1 GHz Substituted Method Test : Sleeve dipole antenna to Bi-Log Antenna

2. Above 1 GHz Substituted Method Test : Horn antenna to Horn Antenn

#### ■ Uncertainty

The measurement uncertainty is defined as for Field Strength of Spurious Radiation measurement is  $\pm 3.072 \text{ dB}$ .



### 3 Test Results

#### Conducted Output Average Power

| Band      | Channel Bandwidth | Modulation | Channel | Frequency (MHz) | RB Configuration |        | Average Power |              |
|-----------|-------------------|------------|---------|-----------------|------------------|--------|---------------|--------------|
|           |                   |            |         |                 | Size             | Offset | (dBm)         | (W)          |
| LTE Band2 | 1.4 MHz           | QPSK       | 18607   | 1850.7          | 1                | 0      | 23.20         | 0.209        |
|           |                   |            |         |                 | 1                | 2      | 23.24         | 0.211        |
|           |                   |            |         |                 | 1                | 5      | 23.16         | 0.207        |
|           |                   |            |         |                 | 3                | 0      | 23.15         | 0.207        |
|           |                   |            |         |                 | 3                | 1      | 23.25         | 0.211        |
|           |                   |            |         |                 | 3                | 3      | 23.17         | 0.207        |
|           |                   |            |         |                 | 6                | 0      | 22.26         | 0.168        |
|           |                   |            | 18900   | 1880.0          | 1                | 0      | 23.20         | 0.209        |
|           |                   |            |         |                 | 1                | 2      | <b>23.37</b>  | <b>0.217</b> |
|           |                   |            |         |                 | 1                | 5      | 23.20         | 0.209        |
|           |                   |            |         |                 | 3                | 0      | 23.32         | 0.215        |
|           |                   |            |         |                 | 3                | 1      | 23.28         | 0.213        |
|           |                   |            |         |                 | 3                | 3      | 23.32         | 0.215        |
|           |                   |            |         |                 | 6                | 0      | 22.33         | 0.171        |
|           |                   |            | 19193   | 1909.3          | 1                | 0      | 23.14         | 0.206        |
|           |                   |            |         |                 | 1                | 2      | 23.23         | 0.210        |
|           |                   |            |         |                 | 1                | 5      | 23.15         | 0.207        |
|           |                   |            |         |                 | 3                | 0      | 23.19         | 0.208        |
|           |                   |            |         |                 | 3                | 1      | 23.20         | 0.209        |
|           |                   |            |         |                 | 3                | 3      | 23.17         | 0.207        |
|           |                   |            |         |                 | 6                | 0      | 22.27         | 0.169        |
|           |                   | 16QAM      | 18607   | 1850.7          | 1                | 0      | 22.43         | 0.175        |
|           |                   |            |         |                 | 1                | 2      | 22.50         | 0.178        |
|           |                   |            |         |                 | 1                | 5      | 22.42         | 0.175        |
|           |                   |            |         |                 | 3                | 0      | 22.38         | 0.173        |
|           |                   |            |         |                 | 3                | 1      | 22.41         | 0.174        |
|           |                   |            |         |                 | 3                | 3      | 22.34         | 0.171        |
|           |                   |            |         |                 | 6                | 0      | 21.47         | 0.140        |
|           |                   |            | 18900   | 1880.0          | 1                | 0      | 22.47         | 0.177        |
|           |                   |            |         |                 | 1                | 2      | 22.54         | 0.179        |
|           |                   |            |         |                 | 1                | 5      | 22.47         | 0.177        |
|           |                   |            |         |                 | 3                | 0      | 22.44         | 0.175        |
|           |                   |            |         |                 | 3                | 1      | <b>22.53</b>  | <b>0.179</b> |
|           |                   |            |         |                 | 3                | 3      | 22.40         | 0.174        |
|           |                   |            |         |                 | 6                | 0      | 21.43         | 0.139        |
|           |                   |            | 19193   | 1909.3          | 1                | 0      | 22.48         | 0.177        |
|           |                   |            |         |                 | 1                | 2      | 22.44         | 0.175        |
|           |                   |            |         |                 | 1                | 5      | 22.41         | 0.174        |
|           |                   |            |         |                 | 3                | 0      | 22.32         | 0.171        |
|           |                   |            |         |                 | 3                | 1      | 22.46         | 0.176        |
|           |                   |            |         |                 | 3                | 3      | 22.32         | 0.171        |
|           |                   |            |         |                 | 6                | 0      | 21.44         | 0.139        |



| Band      | Channel Bandwidth | Modulation | Channel | Frequency (MHz) | RB Configuration |              | Average Power |       |
|-----------|-------------------|------------|---------|-----------------|------------------|--------------|---------------|-------|
|           |                   |            |         |                 | Size             | Offset       | (dBm)         | (W)   |
| LTE Band2 | 3 MHz             | QPSK       | 18615   | 1851.5          | 1                | 0            | 23.24         | 0.211 |
|           |                   |            |         |                 | 1                | 7            | 23.33         | 0.215 |
|           |                   |            |         |                 | 1                | 14           | 23.14         | 0.206 |
|           |                   |            |         |                 | 8                | 0            | 22.34         | 0.171 |
|           |                   |            |         |                 | 8                | 3            | 22.36         | 0.172 |
|           |                   |            |         |                 | 8                | 7            | 22.26         | 0.168 |
|           |                   |            | 15      | 0               | 22.33            | 0.171        |               |       |
|           |                   |            | 1       | 0               | 23.27            | 0.212        |               |       |
|           |                   |            | 1       | 7               | <b>23.39</b>     | <b>0.218</b> |               |       |
|           |                   |            | 1       | 14              | 23.28            | 0.213        |               |       |
|           |                   |            | 8       | 0               | 22.40            | 0.174        |               |       |
|           |                   |            | 8       | 3               | 22.40            | 0.174        |               |       |
|           |                   |            | 8       | 7               | 22.34            | 0.171        |               |       |
|           |                   |            | 15      | 0               | 22.37            | 0.173        |               |       |
|           |                   |            | 1       | 0               | 23.17            | 0.207        |               |       |
|           |                   |            | 1       | 7               | 23.34            | 0.216        |               |       |
|           |                   |            | 1       | 14              | 23.08            | 0.203        |               |       |
|           |                   |            | 8       | 0               | 22.36            | 0.172        |               |       |
|           |                   | 8          | 3       | 22.42           | 0.175            |              |               |       |
|           |                   | 8          | 7       | 22.29           | 0.169            |              |               |       |
|           |                   | 15         | 0       | 22.35           | 0.172            |              |               |       |
|           |                   | 1          | 0       | 22.54           | 0.179            |              |               |       |
|           |                   | 1          | 7       | 22.58           | 0.181            |              |               |       |
|           |                   | 1          | 14      | 22.48           | 0.177            |              |               |       |
|           |                   | 8          | 0       | 21.39           | 0.138            |              |               |       |
|           |                   | 8          | 3       | 21.40           | 0.138            |              |               |       |
|           |                   | 8          | 7       | 21.35           | 0.136            |              |               |       |
|           |                   | 15         | 0       | 21.30           | 0.135            |              |               |       |
|           |                   | 1          | 0       | 22.56           | 0.180            |              |               |       |
|           |                   | 1          | 7       | <b>22.65</b>    | <b>0.184</b>     |              |               |       |
|           |                   | 1          | 14      | 22.56           | 0.180            |              |               |       |
|           |                   | 8          | 0       | 21.45           | 0.140            |              |               |       |
|           |                   | 8          | 3       | 21.45           | 0.140            |              |               |       |
|           |                   | 8          | 7       | 21.38           | 0.137            |              |               |       |
|           |                   | 15         | 0       | 21.38           | 0.137            |              |               |       |
|           |                   | 1          | 0       | 22.45           | 0.176            |              |               |       |
| 1         | 7                 | 22.63      | 0.183   |                 |                  |              |               |       |
| 1         | 14                | 22.46      | 0.176   |                 |                  |              |               |       |
| 8         | 0                 | 21.40      | 0.138   |                 |                  |              |               |       |
| 8         | 3                 | 21.45      | 0.140   |                 |                  |              |               |       |
| 8         | 7                 | 21.45      | 0.140   |                 |                  |              |               |       |
| 15        | 0                 | 21.31      | 0.135   |                 |                  |              |               |       |



| Band      | Channel Bandwidth | Modulation | Channel | Frequency (MHz) | RB Configuration |        | Average Power |              |
|-----------|-------------------|------------|---------|-----------------|------------------|--------|---------------|--------------|
|           |                   |            |         |                 | Size             | Offset | (dBm)         | (W)          |
| LTE Band2 | 5 MHz             | QPSK       | 18625   | 1852.5          | 1                | 0      | <b>23.41</b>  | <b>0.219</b> |
|           |                   |            |         |                 | 1                | 12     | 23.17         | 0.207        |
|           |                   |            |         |                 | 1                | 24     | 23.22         | 0.210        |
|           |                   |            |         |                 | 12               | 0      | 22.37         | 0.173        |
|           |                   |            |         |                 | 12               | 6      | 22.38         | 0.173        |
|           |                   |            |         |                 | 12               | 13     | 22.30         | 0.170        |
|           |                   |            | 25      | 0               | 22.32            | 0.171  |               |              |
|           |                   |            | 1       | 0               | 23.38            | 0.218  |               |              |
|           |                   |            | 1       | 12              | 23.31            | 0.214  |               |              |
|           |                   |            | 1       | 24              | 23.29            | 0.213  |               |              |
|           |                   |            | 12      | 0               | 22.43            | 0.175  |               |              |
|           |                   |            | 12      | 6               | 22.40            | 0.174  |               |              |
|           |                   |            | 12      | 13              | 22.33            | 0.171  |               |              |
|           |                   |            | 25      | 0               | 22.36            | 0.172  |               |              |
|           |                   |            | 1       | 0               | 23.25            | 0.211  |               |              |
|           |                   |            | 1       | 12              | 23.16            | 0.207  |               |              |
|           |                   |            | 1       | 24              | 23.17            | 0.207  |               |              |
|           |                   |            | 12      | 0               | 22.43            | 0.175  |               |              |
|           |                   | 12         | 6       | 22.39           | 0.173            |        |               |              |
|           |                   | 12         | 13      | 22.33           | 0.171            |        |               |              |
|           |                   | 25         | 0       | 22.35           | 0.172            |        |               |              |
|           |                   | 1          | 0       | <b>22.66</b>    | <b>0.185</b>     |        |               |              |
|           |                   | 1          | 12      | 22.55           | 0.180            |        |               |              |
|           |                   | 1          | 24      | 22.45           | 0.176            |        |               |              |
|           |                   | 12         | 0       | 21.43           | 0.139            |        |               |              |
|           |                   | 12         | 6       | 21.40           | 0.138            |        |               |              |
|           |                   | 12         | 13      | 21.32           | 0.136            |        |               |              |
|           |                   | 25         | 0       | 21.32           | 0.136            |        |               |              |
|           |                   | 1          | 0       | 22.66           | 0.185            |        |               |              |
|           |                   | 1          | 12      | 22.62           | 0.183            |        |               |              |
|           |                   | 1          | 24      | 22.57           | 0.181            |        |               |              |
|           |                   | 12         | 0       | 21.47           | 0.140            |        |               |              |
|           |                   | 12         | 6       | 21.45           | 0.140            |        |               |              |
|           |                   | 12         | 13      | 21.35           | 0.136            |        |               |              |
|           |                   | 25         | 0       | 21.38           | 0.137            |        |               |              |
|           |                   | 1          | 0       | 22.60           | 0.182            |        |               |              |
| 1         | 12                | 22.52      | 0.179   |                 |                  |        |               |              |
| 1         | 24                | 22.56      | 0.180   |                 |                  |        |               |              |
| 12        | 0                 | 21.47      | 0.140   |                 |                  |        |               |              |
| 12        | 6                 | 21.44      | 0.139   |                 |                  |        |               |              |
| 12        | 11                | 21.36      | 0.137   |                 |                  |        |               |              |
| 25        | 0                 | 21.38      | 0.137   |                 |                  |        |               |              |



| Band      | Channel Bandwidth | Modulation   | Channel      | Frequency (MHz) | RB Configuration |              | Average Power |       |
|-----------|-------------------|--------------|--------------|-----------------|------------------|--------------|---------------|-------|
|           |                   |              |              |                 | Size             | Offset       | (dBm)         | (W)   |
| LTE Band2 | 10 MHz            | QPSK         | 18650        | 1855.0          | 1                | 0            | 23.61         | 0.230 |
|           |                   |              |              |                 | 1                | 24           | 23.19         | 0.208 |
|           |                   |              |              |                 | 1                | 49           | 23.22         | 0.210 |
|           |                   |              |              |                 | 25               | 0            | 22.50         | 0.178 |
|           |                   |              |              |                 | 25               | 12           | 22.39         | 0.173 |
|           |                   |              |              |                 | 25               | 25           | 22.31         | 0.170 |
|           |                   |              | 50           | 0               | 22.42            | 0.175        |               |       |
|           |                   |              | 1            | 0               | <b>23.62</b>     | <b>0.230</b> |               |       |
|           |                   |              | 1            | 24              | 23.33            | 0.215        |               |       |
|           |                   |              | 1            | 49              | 23.35            | 0.216        |               |       |
|           |                   |              | 25           | 0               | 22.57            | 0.181        |               |       |
|           |                   |              | 25           | 12              | 22.44            | 0.175        |               |       |
|           |                   |              | 25           | 25              | 22.46            | 0.176        |               |       |
|           |                   |              | 50           | 0               | 22.47            | 0.177        |               |       |
|           |                   |              | 1            | 0               | 23.60            | 0.229        |               |       |
|           |                   |              | 1            | 24              | 23.15            | 0.207        |               |       |
|           |                   |              | 1            | 49              | 23.32            | 0.215        |               |       |
|           |                   |              | 25           | 0               | 22.53            | 0.179        |               |       |
|           |                   | 25           | 12           | 22.46           | 0.176            |              |               |       |
|           |                   | 25           | 25           | 22.38           | 0.173            |              |               |       |
|           |                   | 50           | 0            | 22.48           | 0.177            |              |               |       |
|           |                   | 1            | 0            | 22.89           | 0.195            |              |               |       |
|           |                   | 1            | 24           | 22.45           | 0.176            |              |               |       |
|           |                   | 1            | 49           | 22.49           | 0.177            |              |               |       |
|           |                   | 25           | 0            | 21.49           | 0.141            |              |               |       |
|           |                   | 25           | 12           | 21.39           | 0.138            |              |               |       |
|           |                   | 25           | 25           | 21.27           | 0.134            |              |               |       |
|           |                   | 50           | 0            | 21.34           | 0.136            |              |               |       |
|           |                   | 1            | 0            | 22.90           | 0.195            |              |               |       |
|           |                   | 1            | 24           | 22.55           | 0.180            |              |               |       |
| 1         | 49                | 22.63        | 0.183        |                 |                  |              |               |       |
| 25        | 0                 | 21.53        | 0.142        |                 |                  |              |               |       |
| 25        | 12                | 21.42        | 0.139        |                 |                  |              |               |       |
| 25        | 25                | 21.46        | 0.140        |                 |                  |              |               |       |
| 50        | 0                 | 21.42        | 0.139        |                 |                  |              |               |       |
| 1         | 0                 | <b>22.93</b> | <b>0.196</b> |                 |                  |              |               |       |
| 1         | 24                | 22.42        | 0.175        |                 |                  |              |               |       |
| 1         | 49                | 22.57        | 0.181        |                 |                  |              |               |       |
| 25        | 0                 | 21.43        | 0.139        |                 |                  |              |               |       |
| 25        | 12                | 21.43        | 0.139        |                 |                  |              |               |       |
| 25        | 25                | 21.36        | 0.137        |                 |                  |              |               |       |
| 50        | 0                 | 21.45        | 0.140        |                 |                  |              |               |       |



| Band      | Channel Bandwidth | Modulation | Channel | Frequency (MHz) | RB Configuration |        | Average Power |              |
|-----------|-------------------|------------|---------|-----------------|------------------|--------|---------------|--------------|
|           |                   |            |         |                 | Size             | Offset | (dBm)         | (W)          |
| LTE Band2 | 15 MHz            | QPSK       | 18675   | 1857.5          | 1                | 0      | 23.30         | 0.214        |
|           |                   |            |         |                 | 1                | 37     | 23.36         | 0.217        |
|           |                   |            |         |                 | 1                | 74     | 23.32         | 0.215        |
|           |                   |            |         |                 | 36               | 0      | 22.45         | 0.176        |
|           |                   |            |         |                 | 36               | 19     | 22.33         | 0.171        |
|           |                   |            |         |                 | 36               | 39     | 22.33         | 0.171        |
|           |                   |            | 18900   | 1880.0          | 75               | 0      | 22.38         | 0.173        |
|           |                   |            |         |                 | 1                | 0      | 23.45         | 0.221        |
|           |                   |            |         |                 | 1                | 37     | 23.44         | 0.221        |
|           |                   |            |         |                 | 1                | 74     | 23.49         | 0.223        |
|           |                   |            |         |                 | 36               | 0      | 22.46         | 0.176        |
|           |                   |            |         |                 | 36               | 19     | 22.39         | 0.173        |
|           |                   |            | 19125   | 1902.5          | 36               | 39     | 22.47         | 0.177        |
|           |                   |            |         |                 | 75               | 0      | 22.49         | 0.177        |
|           |                   |            |         |                 | 1                | 0      | 23.41         | 0.219        |
|           |                   |            |         |                 | 1                | 37     | <b>23.53</b>  | <b>0.225</b> |
|           |                   |            |         |                 | 1                | 74     | 23.51         | 0.224        |
|           |                   |            |         |                 | 36               | 0      | 22.52         | 0.179        |
|           |                   | 16QAM      | 18675   | 1857.5          | 36               | 19     | 22.48         | 0.177        |
|           |                   |            |         |                 | 36               | 39     | 22.49         | 0.177        |
|           |                   |            |         |                 | 75               | 0      | 22.54         | 0.179        |
|           |                   |            |         |                 | 1                | 0      | 22.73         | 0.187        |
|           |                   |            |         |                 | 1                | 37     | 22.54         | 0.179        |
|           |                   |            |         |                 | 1                | 74     | 22.56         | 0.180        |
|           |                   |            | 18900   | 1880.0          | 36               | 0      | 21.42         | 0.139        |
|           |                   |            |         |                 | 36               | 19     | 21.33         | 0.136        |
|           |                   |            |         |                 | 36               | 39     | 21.26         | 0.134        |
|           |                   |            |         |                 | 75               | 0      | 21.34         | 0.136        |
|           |                   |            |         |                 | 1                | 0      | 22.60         | 0.182        |
|           |                   |            |         |                 | 1                | 37     | 22.50         | 0.178        |
| 19125     | 1902.5            | 1          | 74      | 22.76           | 0.189            |        |               |              |
|           |                   | 36         | 0       | 21.42           | 0.139            |        |               |              |
|           |                   | 36         | 19      | 21.38           | 0.137            |        |               |              |
|           |                   | 36         | 39      | 21.44           | 0.139            |        |               |              |
|           |                   | 75         | 0       | 21.43           | 0.139            |        |               |              |
|           |                   | 1          | 0       | 22.72           | 0.187            |        |               |              |
| 19125     | 1902.5            | 1          | 37      | 22.51           | 0.178            |        |               |              |
|           |                   | 1          | 74      | <b>22.86</b>    | <b>0.193</b>     |        |               |              |
|           |                   | 36         | 0       | 21.48           | 0.141            |        |               |              |
|           |                   | 36         | 19      | 21.51           | 0.142            |        |               |              |
|           |                   | 36         | 39      | 21.46           | 0.140            |        |               |              |
|           |                   | 75         | 0       | 21.54           | 0.143            |        |               |              |



| Band      | Channel Bandwidth | Modulation | Channel | Frequency (MHz) | RB Configuration |        | Average Power |              |
|-----------|-------------------|------------|---------|-----------------|------------------|--------|---------------|--------------|
|           |                   |            |         |                 | Size             | Offset | (dBm)         | (W)          |
| LTE Band2 | 20 MHz            | QPSK       | 18700   | 1860.0          | 1                | 0      | 23.40         | 0.219        |
|           |                   |            |         |                 | 1                | 49     | 23.21         | 0.209        |
|           |                   |            |         |                 | 1                | 99     | 23.42         | 0.220        |
|           |                   |            |         |                 | 50               | 0      | 22.46         | 0.176        |
|           |                   |            |         |                 | 50               | 25     | 22.33         | 0.171        |
|           |                   |            |         |                 | 50               | 50     | 22.40         | 0.174        |
|           |                   |            | 18900   | 1880.0          | 100              | 0      | 22.42         | 0.175        |
|           |                   |            |         |                 | 1                | 0      | 23.52         | 0.225        |
|           |                   |            |         |                 | 1                | 49     | 23.21         | 0.209        |
|           |                   |            |         |                 | 1                | 99     | <b>23.68</b>  | <b>0.233</b> |
|           |                   |            |         |                 | 50               | 0      | 22.46         | 0.176        |
|           |                   |            |         |                 | 50               | 25     | 22.39         | 0.173        |
|           |                   |            | 19100   | 1900.0          | 50               | 50     | 22.47         | 0.177        |
|           |                   |            |         |                 | 100              | 0      | 22.46         | 0.176        |
|           |                   |            |         |                 | 1                | 0      | 23.50         | 0.224        |
|           |                   |            |         |                 | 1                | 49     | 23.20         | 0.209        |
|           |                   |            |         |                 | 1                | 99     | 23.64         | 0.231        |
|           |                   |            |         |                 | 50               | 0      | 22.51         | 0.178        |
|           |                   | 16QAM      | 18700   | 1860.0          | 50               | 25     | 22.37         | 0.173        |
|           |                   |            |         |                 | 50               | 50     | 22.49         | 0.177        |
|           |                   |            |         |                 | 100              | 0      | 22.55         | 0.180        |
|           |                   |            |         |                 | 1                | 0      | 22.67         | 0.185        |
|           |                   |            |         |                 | 1                | 49     | 22.45         | 0.176        |
|           |                   |            |         |                 | 1                | 99     | 22.85         | 0.193        |
|           |                   |            | 18900   | 1880.0          | 50               | 0      | 21.45         | 0.140        |
|           |                   |            |         |                 | 50               | 25     | 21.31         | 0.135        |
|           |                   |            |         |                 | 50               | 50     | 21.34         | 0.136        |
|           |                   |            |         |                 | 100              | 0      | 21.39         | 0.138        |
|           |                   |            |         |                 | 1                | 0      | 22.69         | 0.186        |
|           |                   |            |         |                 | 1                | 49     | 22.53         | 0.179        |
| 19100     | 1900.0            | 1          | 99      | 23.02           | 0.200            |        |               |              |
|           |                   | 50         | 0       | 21.44           | 0.139            |        |               |              |
|           |                   | 50         | 25      | 21.37           | 0.137            |        |               |              |
|           |                   | 50         | 50      | 21.41           | 0.138            |        |               |              |
|           |                   | 100        | 0       | 21.44           | 0.139            |        |               |              |
|           |                   | 1          | 0       | 22.82           | 0.191            |        |               |              |
| 19100     | 1900.0            | 1          | 49      | 22.46           | 0.176            |        |               |              |
|           |                   | 1          | 99      | <b>23.03</b>    | <b>0.201</b>     |        |               |              |
|           |                   | 50         | 0       | 21.37           | 0.137            |        |               |              |
|           |                   | 50         | 25      | 21.49           | 0.141            |        |               |              |
|           |                   | 50         | 50      | 21.46           | 0.140            |        |               |              |
|           |                   | 100        | 0       | 21.49           | 0.141            |        |               |              |





| Band      | Channel Bandwidth | Modulation   | Channel      | Frequency (MHz) | RB Configuration |        | Average Power |              |
|-----------|-------------------|--------------|--------------|-----------------|------------------|--------|---------------|--------------|
|           |                   |              |              |                 | Size             | Offset | (dBm)         | (W)          |
| LTE Band4 | 1.4 MHz           | QPSK         | 19957        | 1710.7          | 1                | 0      | <b>23.31</b>  | <b>0.214</b> |
|           |                   |              |              |                 | 1                | 2      | 23.30         | 0.214        |
|           |                   |              |              |                 | 1                | 5      | 23.09         | 0.204        |
|           |                   |              |              |                 | 3                | 0      | 23.25         | 0.211        |
|           |                   |              |              |                 | 3                | 1      | 23.24         | 0.211        |
|           |                   |              |              |                 | 3                | 3      | 23.17         | 0.207        |
|           |                   |              | 6            | 0               | 22.33            | 0.171  |               |              |
|           |                   |              | 1            | 0               | 22.98            | 0.199  |               |              |
|           |                   |              | 1            | 2               | 23.00            | 0.200  |               |              |
|           |                   |              | 1            | 5               | 23.04            | 0.201  |               |              |
|           |                   |              | 3            | 0               | 23.15            | 0.207  |               |              |
|           |                   |              | 3            | 1               | 23.15            | 0.207  |               |              |
|           |                   |              | 3            | 3               | 23.03            | 0.201  |               |              |
|           |                   |              | 6            | 0               | 22.15            | 0.164  |               |              |
|           |                   |              | 1            | 0               | 23.11            | 0.205  |               |              |
|           |                   |              | 1            | 2               | 23.17            | 0.207  |               |              |
|           |                   |              | 1            | 5               | 23.09            | 0.204  |               |              |
|           |                   |              | 3            | 0               | 23.19            | 0.208  |               |              |
|           |                   | 3            | 1            | 23.19           | 0.208            |        |               |              |
|           |                   | 3            | 3            | 23.16           | 0.207            |        |               |              |
|           |                   | 6            | 0            | 22.22           | 0.167            |        |               |              |
|           |                   | 1            | 0            | 22.43           | 0.175            |        |               |              |
|           |                   | 1            | 2            | 22.49           | 0.177            |        |               |              |
|           |                   | 1            | 5            | 22.45           | 0.176            |        |               |              |
|           |                   | 3            | 0            | 22.41           | 0.174            |        |               |              |
|           |                   | 3            | 1            | 22.43           | 0.175            |        |               |              |
|           |                   | 3            | 3            | 22.32           | 0.171            |        |               |              |
|           |                   | 6            | 0            | 21.42           | 0.139            |        |               |              |
|           |                   | 1            | 0            | 22.35           | 0.172            |        |               |              |
|           |                   | 1            | 2            | 22.37           | 0.173            |        |               |              |
| 1         | 5                 | 22.29        | 0.169        |                 |                  |        |               |              |
| 3         | 0                 | 22.27        | 0.169        |                 |                  |        |               |              |
| 3         | 1                 | 22.35        | 0.172        |                 |                  |        |               |              |
| 3         | 3                 | 22.18        | 0.165        |                 |                  |        |               |              |
| 6         | 0                 | 21.25        | 0.133        |                 |                  |        |               |              |
| 1         | 0                 | <b>22.55</b> | <b>0.180</b> |                 |                  |        |               |              |
| 1         | 2                 | 22.47        | 0.177        |                 |                  |        |               |              |
| 1         | 5                 | 22.51        | 0.178        |                 |                  |        |               |              |
| 3         | 0                 | 22.29        | 0.169        |                 |                  |        |               |              |
| 3         | 1                 | 22.33        | 0.171        |                 |                  |        |               |              |
| 3         | 3                 | 22.32        | 0.171        |                 |                  |        |               |              |
| 6         | 0                 | 21.47        | 0.140        |                 |                  |        |               |              |



| Band      | Channel Bandwidth | Modulation | Channel | Frequency (MHz) | RB Configuration |        | Average Power |              |
|-----------|-------------------|------------|---------|-----------------|------------------|--------|---------------|--------------|
|           |                   |            |         |                 | Size             | Offset | (dBm)         | (W)          |
| LTE Band4 | 3 MHz             | QPSK       | 19965   | 1711.5          | 1                | 0      | <b>23.28</b>  | <b>0.213</b> |
|           |                   |            |         |                 | 1                | 7      | 23.24         | 0.211        |
|           |                   |            |         |                 | 1                | 14     | 23.09         | 0.204        |
|           |                   |            |         |                 | 8                | 0      | 22.33         | 0.171        |
|           |                   |            |         |                 | 8                | 3      | 22.40         | 0.174        |
|           |                   |            |         |                 | 8                | 7      | 22.40         | 0.174        |
|           |                   |            | 15      | 0               | 22.37            | 0.173  |               |              |
|           |                   |            | 1       | 0               | 23.16            | 0.207  |               |              |
|           |                   |            | 1       | 7               | 23.19            | 0.208  |               |              |
|           |                   |            | 1       | 14              | 23.01            | 0.200  |               |              |
|           |                   |            | 8       | 0               | 22.20            | 0.166  |               |              |
|           |                   |            | 8       | 3               | 22.23            | 0.167  |               |              |
|           |                   |            | 8       | 7               | 22.23            | 0.167  |               |              |
|           |                   |            | 15      | 0               | 22.21            | 0.166  |               |              |
|           |                   |            | 1       | 0               | 23.25            | 0.211  |               |              |
|           |                   |            | 1       | 7               | 23.23            | 0.210  |               |              |
|           |                   |            | 1       | 14              | 23.12            | 0.205  |               |              |
|           |                   |            | 8       | 0               | 22.38            | 0.173  |               |              |
|           |                   | 8          | 3       | 22.30           | 0.170            |        |               |              |
|           |                   | 8          | 7       | 22.27           | 0.169            |        |               |              |
|           |                   | 15         | 0       | 22.26           | 0.168            |        |               |              |
|           |                   | 1          | 0       | 22.54           | 0.179            |        |               |              |
|           |                   | 1          | 7       | <b>22.57</b>    | <b>0.181</b>     |        |               |              |
|           |                   | 1          | 14      | 22.39           | 0.173            |        |               |              |
|           |                   | 8          | 0       | 21.51           | 0.142            |        |               |              |
|           |                   | 8          | 3       | 21.42           | 0.139            |        |               |              |
|           |                   | 8          | 7       | 21.50           | 0.141            |        |               |              |
|           |                   | 15         | 0       | 21.35           | 0.136            |        |               |              |
|           |                   | 1          | 0       | 22.37           | 0.173            |        |               |              |
|           |                   | 1          | 7       | 22.35           | 0.172            |        |               |              |
|           |                   | 1          | 14      | 22.32           | 0.171            |        |               |              |
|           |                   | 8          | 0       | 21.25           | 0.133            |        |               |              |
|           |                   | 8          | 3       | 21.26           | 0.134            |        |               |              |
|           |                   | 8          | 7       | 21.28           | 0.134            |        |               |              |
|           |                   | 15         | 0       | 21.19           | 0.132            |        |               |              |
|           |                   | 1          | 0       | 22.53           | 0.179            |        |               |              |
| 1         | 7                 | 22.51      | 0.178   |                 |                  |        |               |              |
| 1         | 14                | 22.37      | 0.173   |                 |                  |        |               |              |
| 8         | 0                 | 21.42      | 0.139   |                 |                  |        |               |              |
| 8         | 3                 | 21.33      | 0.136   |                 |                  |        |               |              |
| 8         | 7                 | 21.29      | 0.135   |                 |                  |        |               |              |
| 15        | 0                 | 21.22      | 0.132   |                 |                  |        |               |              |



| Band      | Channel Bandwidth | Modulation | Channel | Frequency (MHz) | RB Configuration |        | Average Power |              |
|-----------|-------------------|------------|---------|-----------------|------------------|--------|---------------|--------------|
|           |                   |            |         |                 | Size             | Offset | (dBm)         | (W)          |
| LTE Band4 | 5 MHz             | QPSK       | 19975   | 1712.5          | 1                | 0      | <b>23.38</b>  | <b>0.218</b> |
|           |                   |            |         |                 | 1                | 12     | 23.09         | 0.204        |
|           |                   |            |         |                 | 1                | 24     | 23.18         | 0.208        |
|           |                   |            |         |                 | 12               | 0      | 22.35         | 0.172        |
|           |                   |            |         |                 | 12               | 6      | 22.28         | 0.169        |
|           |                   |            |         |                 | 12               | 13     | 22.26         | 0.168        |
|           |                   |            | 25      | 0               | 22.23            | 0.167  |               |              |
|           |                   |            | 1       | 0               | 23.27            | 0.212  |               |              |
|           |                   |            | 1       | 12              | 23.14            | 0.206  |               |              |
|           |                   |            | 1       | 24              | 23.10            | 0.204  |               |              |
|           |                   |            | 12      | 0               | 22.20            | 0.166  |               |              |
|           |                   |            | 12      | 6               | 22.21            | 0.166  |               |              |
|           |                   |            | 12      | 13              | 22.22            | 0.167  |               |              |
|           |                   |            | 25      | 0               | 22.22            | 0.167  |               |              |
|           |                   |            | 1       | 0               | 23.32            | 0.215  |               |              |
|           |                   |            | 1       | 12              | 23.22            | 0.210  |               |              |
|           |                   |            | 1       | 24              | 23.13            | 0.206  |               |              |
|           |                   |            | 12      | 0               | 22.37            | 0.173  |               |              |
|           |                   | 12         | 6       | 22.40           | 0.174            |        |               |              |
|           |                   | 12         | 13      | 22.25           | 0.168            |        |               |              |
|           |                   | 25         | 0       | 22.39           | 0.173            |        |               |              |
|           |                   | 1          | 0       | <b>22.67</b>    | <b>0.185</b>     |        |               |              |
|           |                   | 1          | 12      | 22.39           | 0.173            |        |               |              |
|           |                   | 1          | 24      | 22.42           | 0.175            |        |               |              |
|           |                   | 12         | 0       | 21.38           | 0.137            |        |               |              |
|           |                   | 12         | 6       | 21.32           | 0.136            |        |               |              |
|           |                   | 12         | 13      | 21.30           | 0.135            |        |               |              |
|           |                   | 25         | 0       | 21.24           | 0.133            |        |               |              |
|           |                   | 1          | 0       | 22.55           | 0.180            |        |               |              |
|           |                   | 1          | 12      | 22.39           | 0.173            |        |               |              |
|           |                   | 1          | 24      | 22.36           | 0.172            |        |               |              |
|           |                   | 12         | 0       | 21.26           | 0.134            |        |               |              |
|           |                   | 12         | 6       | 21.32           | 0.136            |        |               |              |
|           |                   | 12         | 13      | 21.25           | 0.133            |        |               |              |
|           |                   | 25         | 0       | 21.24           | 0.133            |        |               |              |
|           |                   | 1          | 0       | 22.63           | 0.183            |        |               |              |
| 1         | 12                | 22.53      | 0.179   |                 |                  |        |               |              |
| 1         | 24                | 22.43      | 0.175   |                 |                  |        |               |              |
| 12        | 0                 | 21.40      | 0.138   |                 |                  |        |               |              |
| 12        | 6                 | 21.44      | 0.139   |                 |                  |        |               |              |
| 12        | 11                | 21.26      | 0.134   |                 |                  |        |               |              |
| 25        | 0                 | 21.34      | 0.136   |                 |                  |        |               |              |



| Band      | Channel Bandwidth | Modulation | Channel | Frequency (MHz) | RB Configuration |        | Average Power |              |
|-----------|-------------------|------------|---------|-----------------|------------------|--------|---------------|--------------|
|           |                   |            |         |                 | Size             | Offset | (dBm)         | (W)          |
| LTE Band4 | 10 MHz            | QPSK       | 20000   | 1715.0          | 1                | 0      | 23.57         | 0.228        |
|           |                   |            |         |                 | 1                | 24     | 23.23         | 0.210        |
|           |                   |            |         |                 | 1                | 49     | 23.54         | 0.226        |
|           |                   |            |         |                 | 25               | 0      | 22.49         | 0.177        |
|           |                   |            |         |                 | 25               | 12     | 22.31         | 0.170        |
|           |                   |            |         |                 | 25               | 25     | 22.38         | 0.173        |
|           |                   |            | 20175   | 1732.5          | 50               | 0      | 22.50         | 0.178        |
|           |                   |            |         |                 | 1                | 0      | 23.43         | 0.220        |
|           |                   |            |         |                 | 1                | 24     | 23.25         | 0.211        |
|           |                   |            |         |                 | 1                | 49     | 23.50         | 0.224        |
|           |                   |            |         |                 | 25               | 0      | 22.51         | 0.178        |
|           |                   |            |         |                 | 25               | 12     | 22.36         | 0.172        |
|           |                   |            | 20350   | 1750.0          | 25               | 25     | 22.39         | 0.173        |
|           |                   |            |         |                 | 50               | 0      | 22.52         | 0.179        |
|           |                   |            |         |                 | 1                | 0      | <b>23.63</b>  | <b>0.231</b> |
|           |                   |            |         |                 | 1                | 24     | 23.25         | 0.211        |
|           |                   |            |         |                 | 1                | 49     | 23.55         | 0.226        |
|           |                   |            |         |                 | 25               | 0      | 22.52         | 0.179        |
|           |                   | 16QAM      | 20000   | 1715.0          | 25               | 12     | 22.33         | 0.171        |
|           |                   |            |         |                 | 25               | 25     | 22.31         | 0.170        |
|           |                   |            |         |                 | 50               | 0      | 22.49         | 0.177        |
|           |                   |            |         |                 | 1                | 0      | 22.81         | 0.191        |
|           |                   |            |         |                 | 1                | 24     | 22.50         | 0.178        |
|           |                   |            |         |                 | 1                | 49     | 22.72         | 0.187        |
|           |                   |            | 20175   | 1732.5          | 25               | 0      | 21.38         | 0.137        |
|           |                   |            |         |                 | 25               | 12     | 21.35         | 0.136        |
|           |                   |            |         |                 | 25               | 25     | 21.42         | 0.139        |
|           |                   |            |         |                 | 50               | 0      | 21.48         | 0.141        |
|           |                   |            |         |                 | 1                | 0      | 22.80         | 0.191        |
|           |                   |            |         |                 | 1                | 24     | 22.53         | 0.179        |
| 20350     | 1750.0            | 1          | 49      | 22.77           | 0.189            |        |               |              |
|           |                   | 25         | 0       | 21.60           | 0.145            |        |               |              |
|           |                   | 25         | 12      | 21.39           | 0.138            |        |               |              |
|           |                   | 25         | 25      | 21.38           | 0.137            |        |               |              |
|           |                   | 50         | 0       | 21.52           | 0.142            |        |               |              |
|           |                   | 1          | 0       | <b>22.94</b>    | <b>0.197</b>     |        |               |              |
| 20350     | 1750.0            | 1          | 24      | 22.47           | 0.177            |        |               |              |
|           |                   | 1          | 49      | 22.77           | 0.189            |        |               |              |
|           |                   | 25         | 0       | 21.51           | 0.142            |        |               |              |
|           |                   | 25         | 12      | 21.29           | 0.135            |        |               |              |
|           |                   | 25         | 25      | 21.28           | 0.134            |        |               |              |
|           |                   | 50         | 0       | 21.49           | 0.141            |        |               |              |



| Band      | Channel Bandwidth | Modulation | Channel | Frequency (MHz) | RB Configuration |        | Average Power |              |
|-----------|-------------------|------------|---------|-----------------|------------------|--------|---------------|--------------|
|           |                   |            |         |                 | Size             | Offset | (dBm)         | (W)          |
| LTE Band4 | 15 MHz            | QPSK       | 20025   | 1717.5          | 1                | 0      | <b>23.63</b>  | <b>0.231</b> |
|           |                   |            |         |                 | 1                | 37     | 23.48         | 0.223        |
|           |                   |            |         |                 | 1                | 74     | 23.29         | 0.213        |
|           |                   |            |         |                 | 36               | 0      | 22.49         | 0.177        |
|           |                   |            |         |                 | 36               | 19     | 22.42         | 0.175        |
|           |                   |            |         |                 | 36               | 39     | 22.33         | 0.171        |
|           |                   |            | 75      | 0               | 22.50            | 0.178  |               |              |
|           |                   |            | 20175   | 1732.5          | 1                | 0      | 23.43         | 0.220        |
|           |                   |            |         |                 | 1                | 37     | 23.41         | 0.219        |
|           |                   |            |         |                 | 1                | 74     | 23.44         | 0.221        |
|           |                   |            |         |                 | 36               | 0      | 22.52         | 0.179        |
|           |                   |            |         |                 | 36               | 19     | 22.42         | 0.175        |
|           |                   |            |         |                 | 36               | 39     | 22.38         | 0.173        |
|           |                   |            | 75      | 0               | 22.50            | 0.178  |               |              |
|           |                   |            | 20325   | 1747.5          | 1                | 0      | 23.43         | 0.220        |
|           |                   |            |         |                 | 1                | 37     | 23.56         | 0.227        |
|           |                   |            |         |                 | 1                | 74     | 23.42         | 0.220        |
|           |                   |            |         |                 | 36               | 0      | 22.73         | 0.187        |
|           |                   | 36         |         |                 | 19               | 22.52  | 0.179         |              |
|           |                   | 36         |         |                 | 39               | 22.42  | 0.175         |              |
|           |                   | 75         | 0       | 22.55           | 0.180            |        |               |              |
|           |                   | 16QAM      | 20025   | 1717.5          | 1                | 0      | <b>22.86</b>  | <b>0.193</b> |
|           |                   |            |         |                 | 1                | 37     | 22.48         | 0.177        |
|           |                   |            |         |                 | 1                | 74     | 22.48         | 0.177        |
|           |                   |            |         |                 | 36               | 0      | 21.44         | 0.139        |
|           |                   |            |         |                 | 36               | 19     | 21.38         | 0.137        |
|           |                   |            |         |                 | 36               | 39     | 21.24         | 0.133        |
|           |                   |            | 75      | 0               | 21.41            | 0.138  |               |              |
|           |                   |            | 20175   | 1732.5          | 1                | 0      | 22.81         | 0.191        |
|           |                   |            |         |                 | 1                | 37     | 22.56         | 0.180        |
| 1         | 74                |            |         |                 | 22.52            | 0.179  |               |              |
| 36        | 0                 |            |         |                 | 21.53            | 0.142  |               |              |
| 36        | 19                |            |         |                 | 21.41            | 0.138  |               |              |
| 36        | 39                |            |         |                 | 21.35            | 0.136  |               |              |
| 75        | 0                 |            | 21.47   | 0.140           |                  |        |               |              |
| 20325     | 1747.5            |            | 1       | 0               | 22.84            | 0.192  |               |              |
|           |                   |            | 1       | 37              | 22.67            | 0.185  |               |              |
|           |                   |            | 1       | 74              | 22.69            | 0.186  |               |              |
|           |                   |            | 36      | 0               | 21.63            | 0.146  |               |              |
|           |                   | 36         | 19      | 21.48           | 0.141            |        |               |              |
|           |                   | 36         | 39      | 21.36           | 0.137            |        |               |              |
| 75        | 0                 | 21.49      | 0.141   |                 |                  |        |               |              |



| Band      | Channel Bandwidth | Modulation | Channel | Frequency (MHz) | RB Configuration |        | Average Power |              |
|-----------|-------------------|------------|---------|-----------------|------------------|--------|---------------|--------------|
|           |                   |            |         |                 | Size             | Offset | (dBm)         | (W)          |
| LTE Band4 | 20 MHz            | QPSK       | 20050   | 1720.0          | 1                | 0      | <b>23.65</b>  | <b>0.232</b> |
|           |                   |            |         |                 | 1                | 49     | 23.21         | 0.209        |
|           |                   |            |         |                 | 1                | 99     | 23.16         | 0.207        |
|           |                   |            |         |                 | 50               | 0      | 22.43         | 0.175        |
|           |                   |            |         |                 | 50               | 25     | 22.39         | 0.173        |
|           |                   |            |         |                 | 50               | 50     | 22.23         | 0.167        |
|           |                   |            | 20175   | 1732.5          | 100              | 0      | 22.29         | 0.169        |
|           |                   |            |         |                 | 1                | 0      | 23.57         | 0.228        |
|           |                   |            |         |                 | 1                | 49     | 23.05         | 0.202        |
|           |                   |            |         |                 | 1                | 99     | 23.22         | 0.210        |
|           |                   |            |         |                 | 50               | 0      | 22.45         | 0.176        |
|           |                   |            |         |                 | 50               | 25     | 22.26         | 0.168        |
|           |                   |            | 20300   | 1745.0          | 50               | 50     | 22.24         | 0.167        |
|           |                   |            |         |                 | 100              | 0      | 22.29         | 0.169        |
|           |                   |            |         |                 | 1                | 0      | 23.58         | 0.228        |
|           |                   |            |         |                 | 1                | 49     | 23.34         | 0.216        |
|           |                   |            |         |                 | 1                | 99     | 23.41         | 0.219        |
|           |                   |            |         |                 | 50               | 0      | 22.64         | 0.184        |
|           |                   | 16QAM      | 20050   | 1720.0          | 50               | 25     | 22.55         | 0.180        |
|           |                   |            |         |                 | 50               | 50     | 22.51         | 0.178        |
|           |                   |            |         |                 | 100              | 0      | 22.52         | 0.179        |
|           |                   |            |         |                 | 1                | 0      | 22.90         | 0.195        |
|           |                   |            |         |                 | 1                | 49     | 22.42         | 0.175        |
|           |                   |            |         |                 | 1                | 99     | 22.42         | 0.175        |
|           |                   |            | 20175   | 1732.5          | 50               | 0      | 21.40         | 0.138        |
|           |                   |            |         |                 | 50               | 25     | 21.36         | 0.137        |
|           |                   |            |         |                 | 50               | 50     | 21.20         | 0.132        |
|           |                   |            |         |                 | 100              | 0      | 21.28         | 0.134        |
|           |                   |            |         |                 | 1                | 0      | 22.92         | 0.196        |
|           |                   |            |         |                 | 1                | 49     | 22.40         | 0.174        |
| 20300     | 1745.0            | 1          | 99      | 22.54           | 0.179            |        |               |              |
|           |                   | 50         | 0       | 21.40           | 0.138            |        |               |              |
|           |                   | 50         | 25      | 21.24           | 0.133            |        |               |              |
|           |                   | 50         | 50      | 21.22           | 0.132            |        |               |              |
|           |                   | 100        | 0       | 21.26           | 0.134            |        |               |              |
|           |                   | 1          | 0       | <b>22.95</b>    | <b>0.197</b>     |        |               |              |
| 20300     | 1745.0            | 1          | 49      | 22.58           | 0.181            |        |               |              |
|           |                   | 1          | 99      | 22.65           | 0.184            |        |               |              |
|           |                   | 50         | 0       | 21.58           | 0.144            |        |               |              |
|           |                   | 50         | 25      | 21.50           | 0.141            |        |               |              |
|           |                   | 50         | 50      | 21.47           | 0.140            |        |               |              |
|           |                   | 100        | 0       | 21.46           | 0.140            |        |               |              |



| Band      | Channel Bandwidth | Modulation | Channel | Frequency (MHz) | RB Configuration |        | Average Power |              |
|-----------|-------------------|------------|---------|-----------------|------------------|--------|---------------|--------------|
|           |                   |            |         |                 | Size             | Offset | (dBm)         | (W)          |
| LTE Band5 | 1.4 MHz           | QPSK       | 20407   | 824.7           | 1                | 0      | 22.83         | 0.192        |
|           |                   |            |         |                 | 1                | 2      | 22.91         | 0.195        |
|           |                   |            |         |                 | 1                | 5      | 22.75         | 0.188        |
|           |                   |            |         |                 | 3                | 0      | 22.86         | 0.193        |
|           |                   |            |         |                 | 3                | 1      | 22.90         | 0.195        |
|           |                   |            |         |                 | 3                | 3      | 22.81         | 0.191        |
|           |                   |            | 20525   | 836.5           | 6                | 0      | 21.91         | 0.155        |
|           |                   |            |         |                 | 1                | 0      | 22.83         | 0.192        |
|           |                   |            |         |                 | 1                | 2      | 22.88         | 0.194        |
|           |                   |            |         |                 | 1                | 5      | 22.84         | 0.192        |
|           |                   |            |         |                 | 3                | 0      | 22.85         | 0.193        |
|           |                   |            |         |                 | 3                | 1      | 22.93         | 0.196        |
|           |                   |            | 20643   | 848.3           | 3                | 3      | 22.82         | 0.191        |
|           |                   |            |         |                 | 6                | 0      | 21.91         | 0.155        |
|           |                   |            |         |                 | 1                | 0      | 22.84         | 0.192        |
|           |                   |            |         |                 | 1                | 2      | <b>23.07</b>  | <b>0.203</b> |
|           |                   |            |         |                 | 1                | 5      | 22.90         | 0.195        |
|           |                   |            |         |                 | 3                | 0      | 23.03         | 0.201        |
|           |                   | 16QAM      | 20407   | 824.7           | 3                | 1      | 23.01         | 0.200        |
|           |                   |            |         |                 | 3                | 3      | 23.01         | 0.200        |
|           |                   |            |         |                 | 6                | 0      | 22.03         | 0.160        |
|           |                   |            |         |                 | 1                | 0      | <b>22.27</b>  | <b>0.169</b> |
|           |                   |            |         |                 | 1                | 2      | 22.23         | 0.167        |
|           |                   |            |         |                 | 1                | 5      | 22.21         | 0.166        |
|           |                   |            | 20525   | 836.5           | 3                | 0      | 22.01         | 0.159        |
|           |                   |            |         |                 | 3                | 1      | 22.05         | 0.160        |
|           |                   |            |         |                 | 3                | 3      | 21.95         | 0.157        |
|           |                   |            |         |                 | 6                | 0      | 21.25         | 0.133        |
|           |                   |            |         |                 | 1                | 0      | 22.12         | 0.163        |
|           |                   |            |         |                 | 1                | 2      | 22.22         | 0.167        |
|           |                   |            | 20643   | 848.3           | 1                | 5      | 22.15         | 0.164        |
|           |                   |            |         |                 | 3                | 0      | 22.01         | 0.159        |
|           |                   |            |         |                 | 3                | 1      | 22.10         | 0.162        |
|           |                   |            |         |                 | 3                | 3      | 21.99         | 0.158        |
|           |                   |            |         |                 | 6                | 0      | 20.94         | 0.124        |
|           |                   |            |         |                 | 1                | 0      | 22.24         | 0.167        |
| 20407     | 824.7             | 1          | 2       | 22.22           | 0.167            |        |               |              |
|           |                   | 1          | 5       | 22.23           | 0.167            |        |               |              |
|           |                   | 3          | 0       | 22.13           | 0.163            |        |               |              |
|           |                   | 3          | 1       | 22.18           | 0.165            |        |               |              |
|           |                   | 3          | 3       | 22.12           | 0.163            |        |               |              |
|           |                   | 6          | 0       | 21.23           | 0.133            |        |               |              |



| Band      | Channel Bandwidth | Modulation | Channel | Frequency (MHz) | RB Configuration |        | Average Power |              |
|-----------|-------------------|------------|---------|-----------------|------------------|--------|---------------|--------------|
|           |                   |            |         |                 | Size             | Offset | (dBm)         | (W)          |
| LTE Band5 | 3 MHz             | QPSK       | 20415   | 825.5           | 1                | 0      | <b>22.96</b>  | <b>0.198</b> |
|           |                   |            |         |                 | 1                | 7      | 22.85         | 0.193        |
|           |                   |            |         |                 | 1                | 14     | 22.83         | 0.192        |
|           |                   |            |         |                 | 8                | 0      | 21.95         | 0.157        |
|           |                   |            |         |                 | 8                | 3      | 22.01         | 0.159        |
|           |                   |            |         |                 | 8                | 7      | 22.02         | 0.159        |
|           |                   |            | 15      | 0               | 21.99            | 0.158  |               |              |
|           |                   |            | 1       | 0               | 22.94            | 0.197  |               |              |
|           |                   |            | 1       | 7               | 22.87            | 0.194  |               |              |
|           |                   |            | 1       | 14              | 22.86            | 0.193  |               |              |
|           |                   |            | 8       | 0               | 22.06            | 0.161  |               |              |
|           |                   |            | 8       | 3               | 22.06            | 0.161  |               |              |
|           |                   |            | 8       | 7               | 21.95            | 0.157  |               |              |
|           |                   |            | 15      | 0               | 22.01            | 0.159  |               |              |
|           |                   |            | 1       | 0               | 22.92            | 0.196  |               |              |
|           |                   |            | 1       | 7               | 22.90            | 0.195  |               |              |
|           |                   |            | 1       | 14              | 22.86            | 0.193  |               |              |
|           |                   |            | 8       | 0               | 22.02            | 0.159  |               |              |
|           |                   | 8          | 3       | 22.04           | 0.160            |        |               |              |
|           |                   | 8          | 7       | 21.96           | 0.157            |        |               |              |
|           |                   | 15         | 0       | 21.97           | 0.157            |        |               |              |
|           |                   | 1          | 0       | <b>22.22</b>    | <b>0.167</b>     |        |               |              |
|           |                   | 1          | 7       | 22.11           | 0.163            |        |               |              |
|           |                   | 1          | 14      | 22.08           | 0.161            |        |               |              |
|           |                   | 8          | 0       | 20.89           | 0.123            |        |               |              |
|           |                   | 8          | 3       | 20.93           | 0.124            |        |               |              |
|           |                   | 8          | 7       | 20.96           | 0.125            |        |               |              |
|           |                   | 15         | 0       | 20.91           | 0.123            |        |               |              |
|           |                   | 1          | 0       | 22.13           | 0.163            |        |               |              |
|           |                   | 1          | 7       | 22.10           | 0.162            |        |               |              |
|           |                   | 1          | 14      | 22.04           | 0.160            |        |               |              |
|           |                   | 8          | 0       | 20.99           | 0.126            |        |               |              |
|           |                   | 8          | 3       | 20.96           | 0.125            |        |               |              |
|           |                   | 8          | 7       | 20.85           | 0.122            |        |               |              |
|           |                   | 15         | 0       | 20.96           | 0.125            |        |               |              |
|           |                   | 1          | 0       | 22.13           | 0.163            |        |               |              |
| 1         | 7                 | 22.10      | 0.162   |                 |                  |        |               |              |
| 1         | 14                | 22.08      | 0.161   |                 |                  |        |               |              |
| 8         | 0                 | 20.98      | 0.125   |                 |                  |        |               |              |
| 8         | 3                 | 20.94      | 0.124   |                 |                  |        |               |              |
| 8         | 7                 | 20.90      | 0.123   |                 |                  |        |               |              |
| 15        | 0                 | 20.91      | 0.123   |                 |                  |        |               |              |





| Band      | Channel Bandwidth | Modulation | Channel | Frequency (MHz) | RB Configuration |        | Average Power |              |
|-----------|-------------------|------------|---------|-----------------|------------------|--------|---------------|--------------|
|           |                   |            |         |                 | Size             | Offset | (dBm)         | (W)          |
| LTE Band5 | 5 MHz             | QPSK       | 20425   | 826.5           | 1                | 0      | 22.90         | 0.195        |
|           |                   |            |         |                 | 1                | 12     | 22.88         | 0.194        |
|           |                   |            |         |                 | 1                | 24     | 22.87         | 0.194        |
|           |                   |            |         |                 | 12               | 0      | 21.93         | 0.156        |
|           |                   |            |         |                 | 12               | 6      | 21.89         | 0.155        |
|           |                   |            |         |                 | 12               | 13     | 21.93         | 0.156        |
|           |                   |            | 20525   | 836.5           | 25               | 0      | 21.93         | 0.156        |
|           |                   |            |         |                 | 1                | 0      | 22.92         | 0.196        |
|           |                   |            |         |                 | 1                | 12     | <b>22.93</b>  | <b>0.196</b> |
|           |                   |            |         |                 | 1                | 24     | 22.86         | 0.193        |
|           |                   |            |         |                 | 12               | 0      | 22.03         | 0.160        |
|           |                   |            |         |                 | 12               | 6      | 21.96         | 0.157        |
|           |                   |            | 20625   | 846.5           | 12               | 13     | 21.93         | 0.156        |
|           |                   |            |         |                 | 25               | 0      | 21.98         | 0.158        |
|           |                   |            |         |                 | 1                | 0      | 22.89         | 0.195        |
|           |                   |            |         |                 | 1                | 12     | 22.88         | 0.194        |
|           |                   |            |         |                 | 1                | 24     | 22.85         | 0.193        |
|           |                   |            |         |                 | 12               | 0      | 21.95         | 0.157        |
|           |                   | 16QAM      | 20425   | 826.5           | 12               | 6      | 22.00         | 0.158        |
|           |                   |            |         |                 | 12               | 13     | 21.95         | 0.157        |
|           |                   |            |         |                 | 25               | 0      | 21.94         | 0.156        |
|           |                   |            |         |                 | 1                | 0      | 22.17         | 0.165        |
|           |                   |            |         |                 | 1                | 12     | 22.18         | 0.165        |
|           |                   |            |         |                 | 1                | 24     | 22.11         | 0.163        |
|           |                   |            | 20525   | 836.5           | 12               | 0      | 20.96         | 0.125        |
|           |                   |            |         |                 | 12               | 6      | 20.91         | 0.123        |
|           |                   |            |         |                 | 12               | 13     | 20.92         | 0.124        |
|           |                   |            |         |                 | 25               | 0      | 20.91         | 0.123        |
|           |                   |            |         |                 | 1                | 0      | 22.18         | 0.165        |
|           |                   |            |         |                 | 1                | 12     | <b>22.19</b>  | <b>0.166</b> |
|           |                   |            | 20625   | 846.5           | 1                | 24     | 22.05         | 0.160        |
|           |                   |            |         |                 | 12               | 0      | 21.05         | 0.127        |
|           |                   |            |         |                 | 12               | 6      | 21.02         | 0.126        |
|           |                   |            |         |                 | 12               | 13     | 20.98         | 0.125        |
|           |                   |            |         |                 | 25               | 0      | 20.95         | 0.124        |
|           |                   |            |         |                 | 1                | 0      | 22.17         | 0.165        |
| 20625     | 846.5             | 1          | 12      | 22.14           | 0.164            |        |               |              |
|           |                   | 1          | 24      | 22.13           | 0.163            |        |               |              |
|           |                   | 12         | 0       | 20.95           | 0.124            |        |               |              |
|           |                   | 12         | 6       | 21.07           | 0.128            |        |               |              |
|           |                   | 12         | 11      | 20.98           | 0.125            |        |               |              |
|           |                   | 25         | 0       | 20.89           | 0.123            |        |               |              |



| Band      | Channel Bandwidth | Modulation | Channel | Frequency (MHz) | RB Configuration |        | Average Power |              |
|-----------|-------------------|------------|---------|-----------------|------------------|--------|---------------|--------------|
|           |                   |            |         |                 | Size             | Offset | (dBm)         | (W)          |
| LTE Band5 | 10 MHz            | QPSK       | 20450   | 829.0           | 1                | 0      | 22.90         | 0.195        |
|           |                   |            |         |                 | 1                | 24     | 22.93         | 0.196        |
|           |                   |            |         |                 | 1                | 49     | 22.81         | 0.191        |
|           |                   |            |         |                 | 25               | 0      | 21.88         | 0.154        |
|           |                   |            |         |                 | 25               | 12     | 21.96         | 0.157        |
|           |                   |            |         |                 | 25               | 25     | 21.88         | 0.154        |
|           |                   |            | 20525   | 836.5           | 50               | 0      | 21.86         | 0.153        |
|           |                   |            |         |                 | 1                | 0      | 22.93         | 0.196        |
|           |                   |            |         |                 | 1                | 24     | 23.00         | 0.200        |
|           |                   |            |         |                 | 1                | 49     | 22.91         | 0.195        |
|           |                   |            |         |                 | 25               | 0      | 21.91         | 0.155        |
|           |                   |            |         |                 | 25               | 12     | 21.96         | 0.157        |
|           |                   |            | 20600   | 844.0           | 25               | 25     | 21.87         | 0.154        |
|           |                   |            |         |                 | 50               | 0      | 21.92         | 0.156        |
|           |                   |            |         |                 | 1                | 0      | 22.88         | 0.194        |
|           |                   |            |         |                 | 1                | 24     | <b>23.09</b>  | <b>0.204</b> |
|           |                   |            |         |                 | 1                | 49     | 22.93         | 0.196        |
|           |                   |            |         |                 | 25               | 0      | 22.07         | 0.161        |
|           |                   | 16QAM      | 20450   | 829.0           | 25               | 12     | 22.10         | 0.162        |
|           |                   |            |         |                 | 25               | 25     | 22.09         | 0.162        |
|           |                   |            |         |                 | 50               | 0      | 22.07         | 0.161        |
|           |                   |            |         |                 | 1                | 0      | 22.06         | 0.161        |
|           |                   |            |         |                 | 1                | 24     | 22.18         | 0.165        |
|           |                   |            |         |                 | 1                | 49     | 22.04         | 0.160        |
|           |                   |            | 20525   | 836.5           | 25               | 0      | 20.85         | 0.122        |
|           |                   |            |         |                 | 25               | 12     | 20.90         | 0.123        |
|           |                   |            |         |                 | 25               | 25     | 20.84         | 0.121        |
|           |                   |            |         |                 | 50               | 0      | 20.86         | 0.122        |
|           |                   |            |         |                 | 1                | 0      | 22.17         | 0.165        |
|           |                   |            |         |                 | 1                | 24     | 22.26         | 0.168        |
| 20600     | 844.0             | 1          | 49      | 22.16           | 0.164            |        |               |              |
|           |                   | 25         | 0       | 20.88           | 0.122            |        |               |              |
|           |                   | 25         | 12      | 20.92           | 0.124            |        |               |              |
|           |                   | 25         | 25      | 20.86           | 0.122            |        |               |              |
|           |                   | 50         | 0       | 20.90           | 0.123            |        |               |              |
|           |                   | 1          | 0       | 22.26           | 0.168            |        |               |              |
| 20600     | 844.0             | 1          | 24      | <b>22.35</b>    | <b>0.172</b>     |        |               |              |
|           |                   | 1          | 49      | 22.22           | 0.167            |        |               |              |
|           |                   | 25         | 0       | 21.05           | 0.127            |        |               |              |
|           |                   | 25         | 12      | 21.09           | 0.129            |        |               |              |
|           |                   | 25         | 25      | 21.06           | 0.128            |        |               |              |
|           |                   | 50         | 0       | 21.06           | 0.128            |        |               |              |



| Band      | Channel Bandwidth | Modulation | Channel | Frequency (MHz) | RB Configuration |        | Average Power |              |
|-----------|-------------------|------------|---------|-----------------|------------------|--------|---------------|--------------|
|           |                   |            |         |                 | Size             | Offset | (dBm)         | (W)          |
| LTE Band7 | 5 MHz             | QPSK       | 20775   | 2502.5          | 1                | 0      | 23.05         | 0.202        |
|           |                   |            |         |                 | 1                | 12     | 23.01         | 0.200        |
|           |                   |            |         |                 | 1                | 24     | 23.03         | 0.201        |
|           |                   |            |         |                 | 12               | 0      | 21.98         | 0.158        |
|           |                   |            |         |                 | 12               | 6      | 22.05         | 0.160        |
|           |                   |            |         |                 | 12               | 13     | 21.97         | 0.157        |
|           |                   |            | 21100   | 2535.0          | 25               | 0      | 21.97         | 0.157        |
|           |                   |            |         |                 | 1                | 0      | 23.17         | 0.207        |
|           |                   |            |         |                 | 1                | 12     | 23.11         | 0.205        |
|           |                   |            |         |                 | 1                | 24     | 23.10         | 0.204        |
|           |                   |            |         |                 | 12               | 0      | 22.15         | 0.164        |
|           |                   |            |         |                 | 12               | 6      | 22.11         | 0.163        |
|           |                   |            | 21425   | 2567.5          | 12               | 13     | 22.10         | 0.162        |
|           |                   |            |         |                 | 25               | 0      | 22.13         | 0.163        |
|           |                   |            |         |                 | 1                | 0      | 23.17         | 0.207        |
|           |                   |            |         |                 | 1                | 12     | <b>23.20</b>  | <b>0.209</b> |
|           |                   |            |         |                 | 1                | 24     | 23.04         | 0.201        |
|           |                   |            |         |                 | 12               | 0      | 22.22         | 0.167        |
|           |                   | 16QAM      | 20775   | 2502.5          | 12               | 6      | 22.32         | 0.171        |
|           |                   |            |         |                 | 12               | 13     | 22.24         | 0.167        |
|           |                   |            |         |                 | 25               | 0      | 22.28         | 0.169        |
|           |                   |            |         |                 | 1                | 0      | 22.32         | 0.171        |
|           |                   |            |         |                 | 1                | 12     | 22.33         | 0.171        |
|           |                   |            |         |                 | 1                | 24     | 22.30         | 0.170        |
|           |                   |            | 21100   | 2535.0          | 12               | 0      | 21.46         | 0.140        |
|           |                   |            |         |                 | 12               | 6      | 21.34         | 0.136        |
|           |                   |            |         |                 | 12               | 13     | 21.19         | 0.132        |
|           |                   |            |         |                 | 25               | 0      | 21.14         | 0.130        |
|           |                   |            |         |                 | 1                | 0      | 22.44         | 0.175        |
|           |                   |            |         |                 | 1                | 12     | 22.38         | 0.173        |
|           |                   |            | 21425   | 2567.5          | 1                | 24     | 22.34         | 0.171        |
|           |                   |            |         |                 | 12               | 0      | 21.17         | 0.131        |
|           |                   |            |         |                 | 12               | 6      | 21.20         | 0.132        |
|           |                   |            |         |                 | 12               | 13     | 21.16         | 0.131        |
|           |                   |            |         |                 | 25               | 0      | 21.08         | 0.128        |
|           |                   |            |         |                 | 1                | 0      | <b>22.56</b>  | <b>0.180</b> |
| 21425     | 2567.5            | 1          | 12      | 22.45           | 0.176            |        |               |              |
|           |                   | 1          | 24      | 22.37           | 0.173            |        |               |              |
|           |                   | 12         | 0       | 21.32           | 0.136            |        |               |              |
|           |                   | 12         | 6       | 21.36           | 0.137            |        |               |              |
|           |                   | 12         | 11      | 21.31           | 0.135            |        |               |              |
|           |                   | 25         | 0       | 21.24           | 0.133            |        |               |              |



| Band      | Channel Bandwidth | Modulation | Channel | Frequency (MHz) | RB Configuration |        | Average Power |              |
|-----------|-------------------|------------|---------|-----------------|------------------|--------|---------------|--------------|
|           |                   |            |         |                 | Size             | Offset | (dBm)         | (W)          |
| LTE Band7 | 10 MHz            | QPSK       | 20800   | 2505.0          | 1                | 0      | 23.18         | 0.208        |
|           |                   |            |         |                 | 1                | 24     | 23.00         | 0.200        |
|           |                   |            |         |                 | 1                | 49     | 23.07         | 0.203        |
|           |                   |            |         |                 | 25               | 0      | 22.13         | 0.163        |
|           |                   |            |         |                 | 25               | 12     | 22.15         | 0.164        |
|           |                   |            |         |                 | 25               | 25     | 22.09         | 0.162        |
|           |                   |            | 21100   | 2535.0          | 50               | 0      | 22.06         | 0.161        |
|           |                   |            |         |                 | 1                | 0      | 23.32         | 0.215        |
|           |                   |            |         |                 | 1                | 24     | 23.10         | 0.204        |
|           |                   |            |         |                 | 1                | 49     | 23.12         | 0.205        |
|           |                   |            |         |                 | 25               | 0      | 22.24         | 0.167        |
|           |                   |            |         |                 | 25               | 12     | 22.19         | 0.166        |
|           |                   |            | 21400   | 2565.0          | 25               | 25     | 22.18         | 0.165        |
|           |                   |            |         |                 | 50               | 0      | 22.24         | 0.167        |
|           |                   |            |         |                 | 1                | 0      | <b>23.34</b>  | <b>0.216</b> |
|           |                   |            |         |                 | 1                | 24     | 23.29         | 0.213        |
|           |                   |            |         |                 | 1                | 49     | 23.21         | 0.209        |
|           |                   |            |         |                 | 25               | 0      | 22.29         | 0.169        |
|           |                   | 16QAM      | 20800   | 2505.0          | 25               | 12     | 22.38         | 0.173        |
|           |                   |            |         |                 | 25               | 25     | 22.29         | 0.169        |
|           |                   |            |         |                 | 50               | 0      | 22.31         | 0.170        |
|           |                   |            |         |                 | 1                | 0      | 22.45         | 0.176        |
|           |                   |            |         |                 | 1                | 24     | 22.17         | 0.165        |
|           |                   |            |         |                 | 1                | 49     | 22.26         | 0.168        |
|           |                   |            | 21100   | 2535.0          | 25               | 0      | 21.09         | 0.129        |
|           |                   |            |         |                 | 25               | 12     | 21.12         | 0.129        |
|           |                   |            |         |                 | 25               | 25     | 21.05         | 0.127        |
|           |                   |            |         |                 | 50               | 0      | 21.02         | 0.126        |
|           |                   |            |         |                 | 1                | 0      | 22.58         | 0.181        |
|           |                   |            |         |                 | 1                | 24     | 22.34         | 0.171        |
| 21400     | 2565.0            | 1          | 49      | 22.37           | 0.173            |        |               |              |
|           |                   | 25         | 0       | 21.18           | 0.131            |        |               |              |
|           |                   | 25         | 12      | 21.15           | 0.130            |        |               |              |
|           |                   | 25         | 25      | 21.13           | 0.130            |        |               |              |
|           |                   | 50         | 0       | 21.13           | 0.130            |        |               |              |
|           |                   | 1          | 0       | 22.71           | 0.187            |        |               |              |
| 21400     | 2565.0            | 1          | 24      | <b>22.73</b>    | <b>0.187</b>     |        |               |              |
|           |                   | 1          | 49      | 22.59           | 0.182            |        |               |              |
|           |                   | 25         | 0       | 21.22           | 0.132            |        |               |              |
|           |                   | 25         | 12      | 21.33           | 0.136            |        |               |              |
|           |                   | 25         | 25      | 21.21           | 0.132            |        |               |              |
|           |                   | 50         | 0       | 21.23           | 0.133            |        |               |              |



| Band      | Channel Bandwidth | Modulation | Channel | Frequency (MHz) | RB Configuration |              | Average Power |       |
|-----------|-------------------|------------|---------|-----------------|------------------|--------------|---------------|-------|
|           |                   |            |         |                 | Size             | Offset       | (dBm)         | (W)   |
| LTE Band7 | 15 MHz            | QPSK       | 20825   | 2507.5          | 1                | 0            | 23.10         | 0.204 |
|           |                   |            |         |                 | 1                | 37           | 22.91         | 0.195 |
|           |                   |            |         |                 | 1                | 74           | 23.23         | 0.210 |
|           |                   |            |         |                 | 36               | 0            | 22.18         | 0.165 |
|           |                   |            |         |                 | 36               | 19           | 22.10         | 0.162 |
|           |                   |            |         |                 | 36               | 39           | 22.12         | 0.163 |
|           |                   |            | 75      | 0               | 22.17            | 0.165        |               |       |
|           |                   |            | 1       | 0               | 23.18            | 0.208        |               |       |
|           |                   |            | 1       | 37              | 23.12            | 0.205        |               |       |
|           |                   |            | 1       | 74              | <b>23.31</b>     | <b>0.214</b> |               |       |
|           |                   |            | 36      | 0               | 22.32            | 0.171        |               |       |
|           |                   |            | 36      | 19              | 22.26            | 0.168        |               |       |
|           |                   |            | 36      | 39              | 22.21            | 0.166        |               |       |
|           |                   |            | 75      | 0               | 22.32            | 0.171        |               |       |
|           |                   |            | 1       | 0               | 23.17            | 0.207        |               |       |
|           |                   |            | 1       | 37              | 23.21            | 0.209        |               |       |
|           |                   |            | 1       | 74              | 23.18            | 0.208        |               |       |
|           |                   |            | 36      | 0               | 22.21            | 0.166        |               |       |
|           |                   | 36         | 19      | 22.13           | 0.163            |              |               |       |
|           |                   | 36         | 39      | 22.19           | 0.166            |              |               |       |
|           |                   | 75         | 0       | 22.20           | 0.166            |              |               |       |
|           |                   | 1          | 0       | 22.48           | 0.177            |              |               |       |
|           |                   | 1          | 37      | 22.45           | 0.176            |              |               |       |
|           |                   | 1          | 74      | 22.56           | 0.180            |              |               |       |
|           |                   | 36         | 0       | 21.12           | 0.129            |              |               |       |
|           |                   | 36         | 19      | 21.12           | 0.129            |              |               |       |
|           |                   | 36         | 39      | 21.04           | 0.127            |              |               |       |
|           |                   | 75         | 0       | 21.12           | 0.129            |              |               |       |
|           |                   | 1          | 0       | 22.57           | 0.181            |              |               |       |
|           |                   | 1          | 37      | 22.47           | 0.177            |              |               |       |
|           |                   | 1          | 74      | <b>22.62</b>    | <b>0.183</b>     |              |               |       |
|           |                   | 36         | 0       | 21.23           | 0.133            |              |               |       |
|           |                   | 36         | 19      | 21.24           | 0.133            |              |               |       |
|           |                   | 36         | 39      | 21.12           | 0.129            |              |               |       |
|           |                   | 75         | 0       | 21.25           | 0.133            |              |               |       |
|           |                   | 1          | 0       | 22.47           | 0.177            |              |               |       |
| 1         | 37                | 22.27      | 0.169   |                 |                  |              |               |       |
| 1         | 74                | 22.54      | 0.179   |                 |                  |              |               |       |
| 36        | 0                 | 21.12      | 0.129   |                 |                  |              |               |       |
| 36        | 19                | 21.04      | 0.127   |                 |                  |              |               |       |
| 36        | 39                | 21.11      | 0.129   |                 |                  |              |               |       |
| 75        | 0                 | 21.07      | 0.128   |                 |                  |              |               |       |



| Band      | Channel Bandwidth | Modulation | Channel | Frequency (MHz) | RB Configuration |              | Average Power |              |
|-----------|-------------------|------------|---------|-----------------|------------------|--------------|---------------|--------------|
|           |                   |            |         |                 | Size             | Offset       | (dBm)         | (W)          |
| LTE Band7 | 20 MHz            | QPSK       | 20850   | 2510.0          | 1                | 0            | 23.19         | 0.208        |
|           |                   |            |         |                 | 1                | 49           | 22.96         | 0.198        |
|           |                   |            |         |                 | 1                | 99           | 23.34         | 0.216        |
|           |                   |            |         |                 | 50               | 0            | 22.20         | 0.166        |
|           |                   |            |         |                 | 50               | 25           | 22.06         | 0.161        |
|           |                   |            |         |                 | 50               | 50           | 22.12         | 0.163        |
|           |                   |            | 100     | 0               | 22.14            | 0.164        |               |              |
|           |                   |            | 21100   | 2535.0          | 1                | 0            | 23.24         | 0.211        |
|           |                   |            |         |                 | 1                | 49           | 23.14         | 0.206        |
|           |                   |            |         |                 | 1                | 99           | <b>23.45</b>  | <b>0.221</b> |
|           |                   |            |         |                 | 50               | 0            | 22.24         | 0.167        |
|           |                   |            |         |                 | 50               | 25           | 22.21         | 0.166        |
|           |                   |            |         |                 | 50               | 50           | 22.22         | 0.167        |
|           |                   |            | 100     | 0               | 22.29            | 0.169        |               |              |
|           |                   |            | 21350   | 2560.0          | 1                | 0            | 23.18         | 0.208        |
|           |                   |            |         |                 | 1                | 49           | 23.03         | 0.201        |
|           |                   |            |         |                 | 1                | 99           | 23.41         | 0.219        |
|           |                   |            |         |                 | 50               | 0            | 22.26         | 0.168        |
|           |                   | 50         |         |                 | 25               | 22.14        | 0.164         |              |
|           |                   | 50         |         |                 | 50               | 22.23        | 0.167         |              |
|           |                   | 100        | 0       | 22.23           | 0.167            |              |               |              |
|           |                   | 16QAM      | 20850   | 2510.0          | 1                | 0            | 22.54         | 0.179        |
|           |                   |            |         |                 | 1                | 49           | 22.28         | 0.169        |
|           |                   |            |         |                 | 1                | 99           | 22.63         | 0.183        |
|           |                   |            |         |                 | 50               | 0            | 21.17         | 0.131        |
|           |                   |            |         |                 | 50               | 25           | 21.05         | 0.127        |
|           |                   |            |         |                 | 50               | 50           | 21.06         | 0.128        |
|           |                   |            | 100     | 0               | 21.07            | 0.128        |               |              |
|           |                   |            | 21100   | 2535.0          | 1                | 0            | 22.49         | 0.177        |
|           |                   |            |         |                 | 1                | 49           | 22.42         | 0.175        |
| 1         | 99                |            |         |                 | <b>22.77</b>     | <b>0.189</b> |               |              |
| 50        | 0                 |            |         |                 | 21.19            | 0.132        |               |              |
| 50        | 25                |            |         |                 | 21.20            | 0.132        |               |              |
| 50        | 50                | 21.16      |         |                 | 0.131            |              |               |              |
| 100       | 0                 | 21.22      | 0.132   |                 |                  |              |               |              |
| 21350     | 2560.0            | 1          | 0       | 22.54           | 0.179            |              |               |              |
|           |                   | 1          | 49      | 22.48           | 0.177            |              |               |              |
|           |                   | 1          | 99      | 22.76           | 0.189            |              |               |              |
|           |                   | 50         | 0       | 21.24           | 0.133            |              |               |              |
|           |                   | 50         | 25      | 21.15           | 0.130            |              |               |              |
|           |                   | 50         | 50      | 21.20           | 0.132            |              |               |              |
| 100       | 0                 | 21.19      | 0.132   |                 |                  |              |               |              |



| Band       | Channel Bandwidth | Modulation   | Channel      | Frequency (MHz) | RB Configuration |              | Average Power |       |
|------------|-------------------|--------------|--------------|-----------------|------------------|--------------|---------------|-------|
|            |                   |              |              |                 | Size             | Offset       | (dBm)         | (W)   |
| LTE Band12 | 1.4 MHz           | QPSK         | 23017        | 699.7           | 1                | 0            | 22.83         | 0.192 |
|            |                   |              |              |                 | 1                | 2            | 23.01         | 0.200 |
|            |                   |              |              |                 | 1                | 5            | 22.80         | 0.191 |
|            |                   |              |              |                 | 3                | 0            | 22.01         | 0.159 |
|            |                   |              |              |                 | 3                | 1            | 22.04         | 0.160 |
|            |                   |              |              |                 | 3                | 3            | 21.89         | 0.155 |
|            |                   |              | 6            | 0               | 21.89            | 0.155        |               |       |
|            |                   |              | 1            | 0               | 22.87            | 0.194        |               |       |
|            |                   |              | 1            | 2               | <b>23.09</b>     | <b>0.204</b> |               |       |
|            |                   |              | 1            | 5               | 22.87            | 0.194        |               |       |
|            |                   |              | 3            | 0               | 22.05            | 0.160        |               |       |
|            |                   |              | 3            | 1               | 22.03            | 0.160        |               |       |
|            |                   |              | 3            | 3               | 22.02            | 0.159        |               |       |
|            |                   |              | 6            | 0               | 22.00            | 0.158        |               |       |
|            |                   |              | 1            | 0               | 22.89            | 0.195        |               |       |
|            |                   |              | 1            | 2               | 23.04            | 0.201        |               |       |
|            |                   |              | 1            | 5               | 22.95            | 0.197        |               |       |
|            |                   |              | 3            | 0               | 22.10            | 0.162        |               |       |
|            |                   | 3            | 1            | 22.15           | 0.164            |              |               |       |
|            |                   | 3            | 3            | 22.16           | 0.164            |              |               |       |
|            |                   | 6            | 0            | 22.12           | 0.163            |              |               |       |
|            |                   | 1            | 0            | 22.08           | 0.161            |              |               |       |
|            |                   | 1            | 2            | 22.19           | 0.166            |              |               |       |
|            |                   | 1            | 5            | 22.13           | 0.163            |              |               |       |
|            |                   | 3            | 0            | 21.05           | 0.127            |              |               |       |
|            |                   | 3            | 1            | 21.07           | 0.128            |              |               |       |
|            |                   | 3            | 3            | 20.94           | 0.124            |              |               |       |
|            |                   | 6            | 0            | 20.93           | 0.124            |              |               |       |
|            |                   | 1            | 0            | 22.13           | 0.163            |              |               |       |
|            |                   | 1            | 2            | 22.33           | 0.171            |              |               |       |
|            |                   | 1            | 5            | 22.15           | 0.164            |              |               |       |
|            |                   | 3            | 0            | 21.00           | 0.126            |              |               |       |
|            |                   | 3            | 1            | 20.98           | 0.125            |              |               |       |
|            |                   | 3            | 3            | 21.01           | 0.126            |              |               |       |
|            |                   | 6            | 0            | 20.97           | 0.125            |              |               |       |
|            |                   | 1            | 0            | 22.17           | 0.165            |              |               |       |
| 1          | 2                 | <b>22.37</b> | <b>0.173</b> |                 |                  |              |               |       |
| 1          | 5                 | 22.21        | 0.166        |                 |                  |              |               |       |
| 3          | 0                 | 21.11        | 0.129        |                 |                  |              |               |       |
| 3          | 1                 | 21.14        | 0.130        |                 |                  |              |               |       |
| 3          | 3                 | 21.18        | 0.131        |                 |                  |              |               |       |
| 6          | 0                 | 21.02        | 0.126        |                 |                  |              |               |       |
| 16QAM      | 23017             | 699.7        | 1            | 0               | 22.83            | 0.192        |               |       |
|            |                   |              | 1            | 2               | 23.01            | 0.200        |               |       |
|            |                   |              | 1            | 5               | 22.80            | 0.191        |               |       |
|            |                   |              | 3            | 0               | 22.01            | 0.159        |               |       |
|            |                   |              | 3            | 1               | 22.04            | 0.160        |               |       |
|            |                   |              | 3            | 3               | 21.89            | 0.155        |               |       |
|            | 6                 | 0            | 21.89        | 0.155           |                  |              |               |       |
|            | 1                 | 0            | 22.87        | 0.194           |                  |              |               |       |
|            | 1                 | 2            | <b>23.09</b> | <b>0.204</b>    |                  |              |               |       |
|            | 1                 | 5            | 22.87        | 0.194           |                  |              |               |       |
|            | 3                 | 0            | 22.05        | 0.160           |                  |              |               |       |
|            | 3                 | 1            | 22.03        | 0.160           |                  |              |               |       |
|            | 3                 | 3            | 22.02        | 0.159           |                  |              |               |       |
|            | 6                 | 0            | 22.00        | 0.158           |                  |              |               |       |
|            | 1                 | 0            | 22.89        | 0.195           |                  |              |               |       |
|            | 1                 | 2            | 23.04        | 0.201           |                  |              |               |       |
|            | 1                 | 5            | 22.95        | 0.197           |                  |              |               |       |
|            | 3                 | 0            | 22.10        | 0.162           |                  |              |               |       |
| 3          | 1                 | 22.15        | 0.164        |                 |                  |              |               |       |
| 3          | 3                 | 22.16        | 0.164        |                 |                  |              |               |       |
| 6          | 0                 | 22.12        | 0.163        |                 |                  |              |               |       |
| 1          | 0                 | 22.08        | 0.161        |                 |                  |              |               |       |
| 1          | 2                 | 22.19        | 0.166        |                 |                  |              |               |       |
| 1          | 5                 | 22.13        | 0.163        |                 |                  |              |               |       |
| 3          | 0                 | 21.05        | 0.127        |                 |                  |              |               |       |
| 3          | 1                 | 21.07        | 0.128        |                 |                  |              |               |       |
| 3          | 3                 | 20.94        | 0.124        |                 |                  |              |               |       |
| 6          | 0                 | 20.93        | 0.124        |                 |                  |              |               |       |
| 1          | 0                 | 22.13        | 0.163        |                 |                  |              |               |       |
| 1          | 2                 | 22.33        | 0.171        |                 |                  |              |               |       |
| 1          | 5                 | 22.15        | 0.164        |                 |                  |              |               |       |
| 3          | 0                 | 21.00        | 0.126        |                 |                  |              |               |       |
| 3          | 1                 | 20.98        | 0.125        |                 |                  |              |               |       |
| 3          | 3                 | 21.01        | 0.126        |                 |                  |              |               |       |
| 6          | 0                 | 20.97        | 0.125        |                 |                  |              |               |       |
| 1          | 0                 | 22.17        | 0.165        |                 |                  |              |               |       |
| 1          | 2                 | <b>22.37</b> | <b>0.173</b> |                 |                  |              |               |       |
| 1          | 5                 | 22.21        | 0.166        |                 |                  |              |               |       |
| 3          | 0                 | 21.11        | 0.129        |                 |                  |              |               |       |
| 3          | 1                 | 21.14        | 0.130        |                 |                  |              |               |       |
| 3          | 3                 | 21.18        | 0.131        |                 |                  |              |               |       |
| 6          | 0                 | 21.02        | 0.126        |                 |                  |              |               |       |



| Band       | Channel Bandwidth | Modulation | Channel | Frequency (MHz) | RB Configuration |              | Average Power |       |
|------------|-------------------|------------|---------|-----------------|------------------|--------------|---------------|-------|
|            |                   |            |         |                 | Size             | Offset       | (dBm)         | (W)   |
| LTE Band12 | 3 MHz             | QPSK       | 23025   | 700.5           | 1                | 0            | 22.92         | 0.196 |
|            |                   |            |         |                 | 1                | 7            | 22.95         | 0.197 |
|            |                   |            |         |                 | 1                | 14           | 22.91         | 0.195 |
|            |                   |            |         |                 | 8                | 0            | 21.98         | 0.158 |
|            |                   |            |         |                 | 8                | 3            | 22.03         | 0.160 |
|            |                   |            |         |                 | 8                | 7            | 22.02         | 0.159 |
|            |                   |            | 15      | 0               | 22.07            | 0.161        |               |       |
|            |                   |            | 1       | 0               | 22.81            | 0.191        |               |       |
|            |                   |            | 1       | 7               | 22.88            | 0.194        |               |       |
|            |                   |            | 1       | 14              | <b>23.07</b>     | <b>0.203</b> |               |       |
|            |                   |            | 8       | 0               | 22.05            | 0.160        |               |       |
|            |                   |            | 8       | 3               | 22.00            | 0.158        |               |       |
|            |                   |            | 8       | 7               | 22.05            | 0.160        |               |       |
|            |                   |            | 15      | 0               | 22.09            | 0.162        |               |       |
|            |                   |            | 1       | 0               | 22.87            | 0.194        |               |       |
|            |                   |            | 1       | 7               | 22.99            | 0.199        |               |       |
|            |                   |            | 1       | 14              | 23.01            | 0.200        |               |       |
|            |                   |            | 8       | 0               | 22.00            | 0.158        |               |       |
|            |                   | 8          | 3       | 22.14           | 0.164            |              |               |       |
|            |                   | 8          | 7       | 22.29           | 0.169            |              |               |       |
|            |                   | 15         | 0       | 22.15           | 0.164            |              |               |       |
|            |                   | 1          | 0       | 22.09           | 0.162            |              |               |       |
|            |                   | 1          | 7       | 22.20           | 0.166            |              |               |       |
|            |                   | 1          | 14      | 22.18           | 0.165            |              |               |       |
|            |                   | 8          | 0       | 20.91           | 0.123            |              |               |       |
|            |                   | 8          | 3       | 20.98           | 0.125            |              |               |       |
|            |                   | 8          | 7       | 20.93           | 0.124            |              |               |       |
|            |                   | 15         | 0       | 21.02           | 0.126            |              |               |       |
|            |                   | 1          | 0       | 22.13           | 0.163            |              |               |       |
|            |                   | 1          | 7       | 22.12           | 0.163            |              |               |       |
|            |                   | 1          | 14      | <b>22.33</b>    | <b>0.171</b>     |              |               |       |
|            |                   | 8          | 0       | 20.98           | 0.125            |              |               |       |
|            |                   | 8          | 3       | 20.96           | 0.125            |              |               |       |
|            |                   | 8          | 7       | 20.98           | 0.125            |              |               |       |
|            |                   | 15         | 0       | 21.10           | 0.129            |              |               |       |
|            |                   | 1          | 0       | 22.12           | 0.163            |              |               |       |
| 1          | 7                 | 22.23      | 0.167   |                 |                  |              |               |       |
| 1          | 14                | 22.26      | 0.168   |                 |                  |              |               |       |
| 8          | 0                 | 21.03      | 0.127   |                 |                  |              |               |       |
| 8          | 3                 | 21.22      | 0.132   |                 |                  |              |               |       |
| 8          | 7                 | 21.24      | 0.133   |                 |                  |              |               |       |
| 15         | 0                 | 21.07      | 0.128   |                 |                  |              |               |       |





| Band       | Channel Bandwidth | Modulation | Channel      | Frequency (MHz) | RB Configuration |              | Average Power |       |
|------------|-------------------|------------|--------------|-----------------|------------------|--------------|---------------|-------|
|            |                   |            |              |                 | Size             | Offset       | (dBm)         | (W)   |
| LTE Band12 | 5 MHz             | QPSK       | 23035        | 701.5           | 1                | 0            | 22.86         | 0.193 |
|            |                   |            |              |                 | 1                | 12           | 22.72         | 0.187 |
|            |                   |            |              |                 | 1                | 24           | 22.85         | 0.193 |
|            |                   |            |              |                 | 12               | 0            | 21.91         | 0.155 |
|            |                   |            |              |                 | 12               | 6            | 21.90         | 0.155 |
|            |                   |            |              |                 | 12               | 13           | 21.92         | 0.156 |
|            |                   |            | 25           | 0               | 21.88            | 0.154        |               |       |
|            |                   |            | 23095        | 707.5           | 1                | 0            | 22.92         | 0.196 |
|            |                   |            | 1            |                 | 12               | 22.95        | 0.197         |       |
|            |                   |            | 1            |                 | 24               | 22.94        | 0.197         |       |
|            |                   |            | 12           |                 | 0                | 21.98        | 0.158         |       |
|            |                   |            | 12           |                 | 6                | 21.99        | 0.158         |       |
|            |                   |            | 12           |                 | 13               | 22.03        | 0.160         |       |
|            |                   |            | 25           | 0               | 22.03            | 0.160        |               |       |
|            |                   |            | 23155        | 713.5           | 1                | 0            | 22.94         | 0.197 |
|            |                   |            | 1            |                 | 12               | 23.01        | 0.200         |       |
|            |                   |            | 1            |                 | 24               | <b>23.06</b> | <b>0.202</b>  |       |
|            |                   |            | 12           |                 | 0                | 22.19        | 0.166         |       |
|            |                   | 12         | 6            |                 | 22.16            | 0.164        |               |       |
|            |                   | 12         | 13           |                 | 22.22            | 0.167        |               |       |
|            |                   | 25         | 0            | 22.20           | 0.166            |              |               |       |
|            |                   | 16QAM      | 23035        | 701.5           | 1                | 0            | 22.09         | 0.162 |
|            |                   |            |              |                 | 1                | 12           | 22.07         | 0.161 |
|            |                   |            |              |                 | 1                | 24           | 22.10         | 0.162 |
|            |                   |            |              |                 | 12               | 0            | 20.95         | 0.124 |
|            |                   |            |              |                 | 12               | 6            | 20.99         | 0.126 |
|            |                   |            |              |                 | 12               | 13           | 20.97         | 0.125 |
|            |                   |            | 25           | 0               | 20.91            | 0.123        |               |       |
|            |                   |            | 23095        | 707.5           | 1                | 0            | 22.24         | 0.167 |
|            |                   |            | 1            |                 | 12               | 22.31        | 0.170         |       |
|            |                   |            | 1            |                 | 24               | 22.19        | 0.166         |       |
|            |                   |            | 12           |                 | 0                | 21.03        | 0.127         |       |
|            |                   |            | 12           |                 | 6                | 21.04        | 0.127         |       |
|            |                   |            | 12           |                 | 13               | 21.03        | 0.127         |       |
|            |                   |            | 25           | 0               | 20.96            | 0.125        |               |       |
|            |                   |            | 23155        | 713.5           | 1                | 0            | 22.32         | 0.171 |
| 1          | 12                |            | <b>22.36</b> |                 | <b>0.172</b>     |              |               |       |
| 1          | 24                |            | 22.35        |                 | 0.172            |              |               |       |
| 12         | 0                 |            | 21.26        |                 | 0.134            |              |               |       |
| 12         | 6                 | 21.19      | 0.132        |                 |                  |              |               |       |
| 12         | 11                | 21.24      | 0.133        |                 |                  |              |               |       |
| 25         | 0                 | 21.16      | 0.131        |                 |                  |              |               |       |



| Band       | Channel Bandwidth | Modulation | Channel | Frequency (MHz) | RB Configuration |        | Average Power |              |
|------------|-------------------|------------|---------|-----------------|------------------|--------|---------------|--------------|
|            |                   |            |         |                 | Size             | Offset | (dBm)         | (W)          |
| LTE Band12 | 10 MHz            | QPSK       | 23060   | 704.0           | 1                | 0      | 22.84         | 0.192        |
|            |                   |            |         |                 | 1                | 24     | 23.07         | 0.203        |
|            |                   |            |         |                 | 1                | 49     | 22.93         | 0.196        |
|            |                   |            |         |                 | 25               | 0      | 22.93         | 0.196        |
|            |                   |            |         |                 | 25               | 12     | 23.01         | 0.200        |
|            |                   |            |         |                 | 25               | 25     | 23.00         | 0.200        |
|            |                   |            | 23095   | 707.5           | 50               | 0      | 21.99         | 0.158        |
|            |                   |            |         |                 | 1                | 0      | 22.89         | 0.195        |
|            |                   |            |         |                 | 1                | 24     | 22.93         | 0.196        |
|            |                   |            |         |                 | 1                | 49     | 22.85         | 0.193        |
|            |                   |            |         |                 | 25               | 0      | 22.95         | 0.197        |
|            |                   |            |         |                 | 25               | 12     | 22.93         | 0.196        |
|            |                   |            | 23130   | 711.0           | 25               | 25     | 23.01         | 0.200        |
|            |                   |            |         |                 | 50               | 0      | 21.92         | 0.156        |
|            |                   |            |         |                 | 1                | 0      | 22.96         | 0.198        |
|            |                   |            |         |                 | 1                | 24     | 23.03         | 0.201        |
|            |                   |            |         |                 | 1                | 49     | <b>23.12</b>  | <b>0.205</b> |
|            |                   |            |         |                 | 25               | 0      | 22.96         | 0.198        |
|            |                   | 16QAM      | 23060   | 704.0           | 25               | 12     | 23.06         | 0.202        |
|            |                   |            |         |                 | 25               | 25     | 23.04         | 0.201        |
|            |                   |            |         |                 | 50               | 0      | 22.07         | 0.161        |
|            |                   |            |         |                 | 1                | 0      | 22.13         | 0.163        |
|            |                   |            |         |                 | 1                | 24     | 22.19         | 0.166        |
|            |                   |            |         |                 | 1                | 49     | 22.05         | 0.160        |
|            |                   |            | 23095   | 707.5           | 25               | 0      | 22.05         | 0.160        |
|            |                   |            |         |                 | 25               | 12     | <b>22.28</b>  | <b>0.169</b> |
|            |                   |            |         |                 | 25               | 25     | 22.14         | 0.164        |
|            |                   |            |         |                 | 50               | 0      | 21.09         | 0.129        |
|            |                   |            |         |                 | 1                | 0      | 22.20         | 0.166        |
|            |                   |            |         |                 | 1                | 24     | 22.22         | 0.167        |
| 23130      | 711.0             | 1          | 49      | 22.10           | 0.162            |        |               |              |
|            |                   | 25         | 0       | 22.04           | 0.160            |        |               |              |
|            |                   | 25         | 12      | 22.12           | 0.163            |        |               |              |
|            |                   | 25         | 25      | 22.14           | 0.164            |        |               |              |
|            |                   | 50         | 0       | 20.93           | 0.124            |        |               |              |
|            |                   | 1          | 0       | 22.18           | 0.165            |        |               |              |
| 23060      | 704.0             | 1          | 24      | 22.24           | 0.167            |        |               |              |
|            |                   | 1          | 49      | 22.12           | 0.163            |        |               |              |
|            |                   | 25         | 0       | 22.14           | 0.164            |        |               |              |
|            |                   | 25         | 12      | 22.26           | 0.168            |        |               |              |
|            |                   | 25         | 25      | 22.21           | 0.166            |        |               |              |
|            |                   | 50         | 0       | 21.10           | 0.129            |        |               |              |



| Band       | Channel Bandwidth | Modulation | Channel | Frequency (MHz) | RB Configuration |        | Average Power |              |
|------------|-------------------|------------|---------|-----------------|------------------|--------|---------------|--------------|
|            |                   |            |         |                 | Size             | Offset | (dBm)         | (W)          |
| LTE Band30 | 5 MHz             | QPSK       | 27685   | 2307.5          | 1                | 0      | <b>23.38</b>  | <b>0.218</b> |
|            |                   |            |         |                 | 1                | 12     | 23.32         | 0.215        |
|            |                   |            |         |                 | 1                | 24     | 23.20         | 0.209        |
|            |                   |            |         |                 | 12               | 0      | 22.27         | 0.169        |
|            |                   |            |         |                 | 12               | 6      | 22.30         | 0.170        |
|            |                   |            |         |                 | 12               | 13     | 22.19         | 0.166        |
|            |                   |            | 25      | 0               | 22.31            | 0.170  |               |              |
|            |                   |            | 1       | 0               | 23.36            | 0.217  |               |              |
|            |                   |            | 1       | 12              | 23.25            | 0.211  |               |              |
|            |                   |            | 1       | 24              | 23.24            | 0.211  |               |              |
|            |                   |            | 12      | 0               | 22.29            | 0.169  |               |              |
|            |                   |            | 12      | 6               | 22.29            | 0.169  |               |              |
|            |                   |            | 12      | 13              | 22.23            | 0.167  |               |              |
|            |                   |            | 25      | 0               | 22.28            | 0.169  |               |              |
|            |                   |            | 1       | 0               | 23.29            | 0.213  |               |              |
|            |                   |            | 1       | 12              | 23.26            | 0.212  |               |              |
|            |                   |            | 1       | 24              | 23.29            | 0.213  |               |              |
|            |                   |            | 12      | 0               | 22.30            | 0.170  |               |              |
|            |                   | 12         | 6       | 22.27           | 0.169            |        |               |              |
|            |                   | 12         | 13      | 22.24           | 0.167            |        |               |              |
|            |                   | 25         | 0       | 22.36           | 0.172            |        |               |              |
|            |                   | 1          | 0       | <b>22.67</b>    | <b>0.185</b>     |        |               |              |
|            |                   | 1          | 12      | 22.60           | 0.182            |        |               |              |
|            |                   | 1          | 24      | 22.55           | 0.180            |        |               |              |
|            |                   | 12         | 0       | 21.36           | 0.137            |        |               |              |
|            |                   | 12         | 6       | 21.39           | 0.138            |        |               |              |
|            |                   | 12         | 13      | 21.26           | 0.134            |        |               |              |
|            |                   | 25         | 0       | 21.30           | 0.135            |        |               |              |
|            |                   | 1          | 0       | 22.56           | 0.180            |        |               |              |
|            |                   | 1          | 12      | 22.54           | 0.179            |        |               |              |
| 1          | 24                | 22.53      | 0.179   |                 |                  |        |               |              |
| 12         | 0                 | 21.35      | 0.136   |                 |                  |        |               |              |
| 12         | 6                 | 21.36      | 0.137   |                 |                  |        |               |              |
| 12         | 13                | 21.29      | 0.135   |                 |                  |        |               |              |
| 25         | 0                 | 21.27      | 0.134   |                 |                  |        |               |              |
| 1          | 0                 | 22.62      | 0.183   |                 |                  |        |               |              |
| 1          | 12                | 22.55      | 0.180   |                 |                  |        |               |              |
| 1          | 24                | 22.58      | 0.181   |                 |                  |        |               |              |
| 12         | 0                 | 21.38      | 0.137   |                 |                  |        |               |              |
| 12         | 6                 | 21.32      | 0.136   |                 |                  |        |               |              |
| 12         | 11                | 21.28      | 0.134   |                 |                  |        |               |              |
| 25         | 0                 | 21.34      | 0.136   |                 |                  |        |               |              |



| Band       | Channel Bandwidth | Modulation | Channel | Frequency (MHz) | RB Configuration |        | Average Power |              |
|------------|-------------------|------------|---------|-----------------|------------------|--------|---------------|--------------|
|            |                   |            |         |                 | Size             | Offset | (dBm)         | (W)          |
| LTE Band30 | 10 MHz            | QPSK       | 27710   | 2310.0          | 1                | 0      | <b>23.59</b>  | <b>0.229</b> |
|            |                   |            |         |                 | 1                | 24     | 23.21         | 0.209        |
|            |                   |            |         |                 | 1                | 49     | 23.34         | 0.216        |
|            |                   |            |         |                 | 25               | 0      | 22.47         | 0.177        |
|            |                   |            |         |                 | 25               | 12     | 22.35         | 0.172        |
|            |                   |            |         |                 | 25               | 25     | 22.35         | 0.172        |
|            |                   | 16QAM      |         |                 | 50               | 0      | 22.35         | 0.172        |
|            |                   |            |         |                 | 1                | 0      | <b>22.80</b>  | <b>0.191</b> |
|            |                   |            |         |                 | 1                | 24     | 22.46         | 0.176        |
|            |                   |            |         |                 | 1                | 49     | 22.57         | 0.181        |
|            |                   |            |         |                 | 25               | 0      | 21.44         | 0.139        |
|            |                   |            |         |                 | 25               | 12     | 21.28         | 0.134        |
|            |                   |            |         |                 | 25               | 25     | 21.28         | 0.134        |
|            |                   |            |         |                 | 50               | 0      | 21.32         | 0.136        |



| Band       | Channel Bandwidth | Modulation | Channel | Frequency (MHz) | RB Configuration |        | Average Power |              |
|------------|-------------------|------------|---------|-----------------|------------------|--------|---------------|--------------|
|            |                   |            |         |                 | Size             | Offset | (dBm)         | (W)          |
| LTE Band66 | 1.4 MHz           | QPSK       | 131979  | 1710.7          | 1                | 0      | <b>23.18</b>  | <b>0.208</b> |
|            |                   |            |         |                 | 1                | 2      | 23.08         | 0.203        |
|            |                   |            |         |                 | 1                | 5      | 22.93         | 0.196        |
|            |                   |            |         |                 | 3                | 0      | 22.28         | 0.169        |
|            |                   |            |         |                 | 3                | 1      | 22.29         | 0.169        |
|            |                   |            |         |                 | 3                | 3      | 22.28         | 0.169        |
|            |                   |            | 6       | 0               | 22.24            | 0.167  |               |              |
|            |                   |            | 1       | 0               | 23.08            | 0.203  |               |              |
|            |                   |            | 1       | 2               | 23.06            | 0.202  |               |              |
|            |                   |            | 1       | 5               | 22.90            | 0.195  |               |              |
|            |                   |            | 3       | 0               | 22.14            | 0.164  |               |              |
|            |                   |            | 3       | 1               | 22.12            | 0.163  |               |              |
|            |                   |            | 3       | 3               | 22.09            | 0.162  |               |              |
|            |                   |            | 6       | 0               | 22.07            | 0.161  |               |              |
|            |                   |            | 1       | 0               | 23.15            | 0.207  |               |              |
|            |                   |            | 1       | 2               | 23.09            | 0.204  |               |              |
|            |                   |            | 1       | 5               | 22.99            | 0.199  |               |              |
|            |                   |            | 3       | 0               | 22.29            | 0.169  |               |              |
|            |                   | 3          | 1       | 22.26           | 0.168            |        |               |              |
|            |                   | 3          | 3       | 22.26           | 0.168            |        |               |              |
|            |                   | 6          | 0       | 22.09           | 0.162            |        |               |              |
|            |                   | 1          | 0       | 22.41           | 0.174            |        |               |              |
|            |                   | 1          | 2       | 22.44           | 0.175            |        |               |              |
|            |                   | 1          | 5       | 22.27           | 0.169            |        |               |              |
|            |                   | 3          | 0       | 21.42           | 0.139            |        |               |              |
|            |                   | 3          | 1       | 21.36           | 0.137            |        |               |              |
|            |                   | 3          | 3       | 21.33           | 0.136            |        |               |              |
|            |                   | 6          | 0       | 21.20           | 0.132            |        |               |              |
|            |                   | 1          | 0       | 22.28           | 0.169            |        |               |              |
|            |                   | 1          | 2       | 22.22           | 0.167            |        |               |              |
|            |                   | 1          | 5       | 22.23           | 0.167            |        |               |              |
|            |                   | 3          | 0       | 21.22           | 0.132            |        |               |              |
|            |                   | 3          | 1       | 21.14           | 0.130            |        |               |              |
|            |                   | 3          | 3       | 21.24           | 0.133            |        |               |              |
|            |                   | 6          | 0       | 21.07           | 0.128            |        |               |              |
|            |                   | 1          | 0       | <b>22.47</b>    | <b>0.177</b>     |        |               |              |
| 1          | 2                 | 22.47      | 0.177   |                 |                  |        |               |              |
| 1          | 5                 | 22.25      | 0.168   |                 |                  |        |               |              |
| 3          | 0                 | 21.32      | 0.136   |                 |                  |        |               |              |
| 3          | 1                 | 21.29      | 0.135   |                 |                  |        |               |              |
| 3          | 3                 | 21.17      | 0.131   |                 |                  |        |               |              |
| 6          | 0                 | 21.08      | 0.128   |                 |                  |        |               |              |



| Band       | Channel Bandwidth | Modulation | Channel | Frequency (MHz) | RB Configuration |        | Average Power |              |
|------------|-------------------|------------|---------|-----------------|------------------|--------|---------------|--------------|
|            |                   |            |         |                 | Size             | Offset | (dBm)         | (W)          |
| LTE Band66 | 3 MHz             | QPSK       | 131987  | 1711.5          | 1                | 0      | <b>23.24</b>  | <b>0.211</b> |
|            |                   |            |         |                 | 1                | 7      | 23.13         | 0.206        |
|            |                   |            |         |                 | 1                | 14     | 23.02         | 0.200        |
|            |                   |            |         |                 | 8                | 0      | 23.12         | 0.205        |
|            |                   |            |         |                 | 8                | 3      | 23.11         | 0.205        |
|            |                   |            |         |                 | 8                | 7      | 23.09         | 0.204        |
|            |                   |            | 15      | 0               | 22.19            | 0.166  |               |              |
|            |                   |            | 1       | 0               | 22.85            | 0.193  |               |              |
|            |                   |            | 1       | 7               | 22.89            | 0.195  |               |              |
|            |                   |            | 1       | 14              | 22.94            | 0.197  |               |              |
|            |                   |            | 8       | 0               | 23.09            | 0.204  |               |              |
|            |                   |            | 8       | 3               | 23.09            | 0.204  |               |              |
|            |                   |            | 8       | 7               | 22.97            | 0.198  |               |              |
|            |                   |            | 15      | 0               | 22.10            | 0.162  |               |              |
|            |                   |            | 1       | 0               | 23.09            | 0.204  |               |              |
|            |                   |            | 1       | 7               | 23.15            | 0.207  |               |              |
|            |                   |            | 1       | 14              | 22.96            | 0.198  |               |              |
|            |                   |            | 8       | 0               | 23.09            | 0.204  |               |              |
|            |                   | 8          | 3       | 23.15           | 0.207            |        |               |              |
|            |                   | 8          | 7       | 23.06           | 0.202            |        |               |              |
|            |                   | 15         | 0       | 22.12           | 0.163            |        |               |              |
|            |                   | 1          | 0       | 22.29           | 0.169            |        |               |              |
|            |                   | 1          | 7       | 22.40           | 0.174            |        |               |              |
|            |                   | 1          | 14      | 22.28           | 0.169            |        |               |              |
|            |                   | 8          | 0       | 22.32           | 0.171            |        |               |              |
|            |                   | 8          | 3       | 22.38           | 0.173            |        |               |              |
|            |                   | 8          | 7       | 22.22           | 0.167            |        |               |              |
|            |                   | 15         | 0       | 21.29           | 0.135            |        |               |              |
|            |                   | 1          | 0       | 22.22           | 0.167            |        |               |              |
|            |                   | 1          | 7       | 22.33           | 0.171            |        |               |              |
|            |                   | 1          | 14      | 22.12           | 0.163            |        |               |              |
|            |                   | 8          | 0       | 22.16           | 0.164            |        |               |              |
|            |                   | 8          | 3       | 22.31           | 0.170            |        |               |              |
|            |                   | 8          | 7       | 22.03           | 0.160            |        |               |              |
|            |                   | 15         | 0       | 21.17           | 0.131            |        |               |              |
|            |                   | 1          | 0       | <b>22.52</b>    | <b>0.179</b>     |        |               |              |
| 1          | 7                 | 22.44      | 0.175   |                 |                  |        |               |              |
| 1          | 14                | 22.37      | 0.173   |                 |                  |        |               |              |
| 8          | 0                 | 22.17      | 0.165   |                 |                  |        |               |              |
| 8          | 3                 | 22.23      | 0.167   |                 |                  |        |               |              |
| 8          | 7                 | 22.24      | 0.167   |                 |                  |        |               |              |
| 15         | 0                 | 21.35      | 0.136   |                 |                  |        |               |              |



| Band       | Channel Bandwidth | Modulation | Channel | Frequency (MHz) | RB Configuration |        | Average Power |              |
|------------|-------------------|------------|---------|-----------------|------------------|--------|---------------|--------------|
|            |                   |            |         |                 | Size             | Offset | (dBm)         | (W)          |
| LTE Band66 | 5 MHz             | QPSK       | 131997  | 1712.5          | 1                | 0      | <b>23.27</b>  | <b>0.212</b> |
|            |                   |            |         |                 | 1                | 12     | 22.99         | 0.199        |
|            |                   |            |         |                 | 1                | 24     | 23.06         | 0.202        |
|            |                   |            |         |                 | 12               | 0      | 22.19         | 0.166        |
|            |                   |            |         |                 | 12               | 6      | 22.20         | 0.166        |
|            |                   |            |         |                 | 12               | 13     | 22.14         | 0.164        |
|            |                   |            | 25      | 0               | 22.11            | 0.163  |               |              |
|            |                   |            | 1       | 0               | 23.11            | 0.205  |               |              |
|            |                   |            | 1       | 12              | 23.05            | 0.202  |               |              |
|            |                   |            | 1       | 24              | 23.05            | 0.202  |               |              |
|            |                   |            | 12      | 0               | 22.14            | 0.164  |               |              |
|            |                   |            | 12      | 6               | 22.05            | 0.160  |               |              |
|            |                   |            | 12      | 13              | 22.18            | 0.165  |               |              |
|            |                   |            | 25      | 0               | 22.13            | 0.163  |               |              |
|            |                   |            | 1       | 0               | 23.23            | 0.210  |               |              |
|            |                   |            | 1       | 12              | 23.12            | 0.205  |               |              |
|            |                   |            | 1       | 24              | 23.01            | 0.200  |               |              |
|            |                   |            | 12      | 0               | 22.24            | 0.167  |               |              |
|            |                   | 12         | 6       | 22.36           | 0.172            |        |               |              |
|            |                   | 12         | 13      | 22.19           | 0.166            |        |               |              |
|            |                   | 25         | 0       | 22.37           | 0.173            |        |               |              |
|            |                   | 1          | 0       | <b>22.55</b>    | <b>0.180</b>     |        |               |              |
|            |                   | 1          | 12      | 22.29           | 0.169            |        |               |              |
|            |                   | 1          | 24      | 22.33           | 0.171            |        |               |              |
|            |                   | 12         | 0       | 21.26           | 0.134            |        |               |              |
|            |                   | 12         | 6       | 21.21           | 0.132            |        |               |              |
|            |                   | 12         | 13      | 21.19           | 0.132            |        |               |              |
|            |                   | 25         | 0       | 21.14           | 0.130            |        |               |              |
|            |                   | 1          | 0       | 22.46           | 0.176            |        |               |              |
|            |                   | 1          | 12      | 22.27           | 0.169            |        |               |              |
|            |                   | 1          | 24      | 22.28           | 0.169            |        |               |              |
|            |                   | 12         | 0       | 21.12           | 0.129            |        |               |              |
|            |                   | 12         | 6       | 21.21           | 0.132            |        |               |              |
|            |                   | 12         | 13      | 21.19           | 0.132            |        |               |              |
|            |                   | 25         | 0       | 21.19           | 0.132            |        |               |              |
|            |                   | 1          | 0       | 22.51           | 0.178            |        |               |              |
| 1          | 12                | 22.50      | 0.178   |                 |                  |        |               |              |
| 1          | 24                | 22.30      | 0.170   |                 |                  |        |               |              |
| 12         | 0                 | 21.32      | 0.136   |                 |                  |        |               |              |
| 12         | 6                 | 21.33      | 0.136   |                 |                  |        |               |              |
| 12         | 11                | 21.19      | 0.132   |                 |                  |        |               |              |
| 25         | 0                 | 21.25      | 0.133   |                 |                  |        |               |              |



| Band       | Channel Bandwidth | Modulation | Channel | Frequency (MHz) | RB Configuration |        | Average Power |              |
|------------|-------------------|------------|---------|-----------------|------------------|--------|---------------|--------------|
|            |                   |            |         |                 | Size             | Offset | (dBm)         | (W)          |
| LTE Band66 | 10 MHz            | QPSK       | 132022  | 1715.0          | 1                | 0      | 23.42         | 0.220        |
|            |                   |            |         |                 | 1                | 24     | 23.12         | 0.205        |
|            |                   |            |         |                 | 1                | 49     | 23.48         | 0.223        |
|            |                   |            |         |                 | 25               | 0      | 22.46         | 0.176        |
|            |                   |            |         |                 | 25               | 12     | 22.21         | 0.166        |
|            |                   |            |         |                 | 25               | 25     | 22.32         | 0.171        |
|            |                   |            | 132197  | 1732.5          | 50               | 0      | 22.44         | 0.175        |
|            |                   |            |         |                 | 1                | 0      | 23.32         | 0.215        |
|            |                   |            |         |                 | 1                | 24     | 23.19         | 0.208        |
|            |                   |            |         |                 | 1                | 49     | 23.42         | 0.220        |
|            |                   |            |         |                 | 25               | 0      | 22.35         | 0.172        |
|            |                   |            |         |                 | 25               | 12     | 22.36         | 0.172        |
|            |                   |            | 132372  | 1750.0          | 25               | 25     | 22.28         | 0.169        |
|            |                   |            |         |                 | 50               | 0      | 22.39         | 0.173        |
|            |                   |            |         |                 | 1                | 0      | <b>23.53</b>  | <b>0.225</b> |
|            |                   |            |         |                 | 1                | 24     | 23.08         | 0.203        |
|            |                   |            |         |                 | 1                | 49     | 23.46         | 0.222        |
|            |                   |            |         |                 | 25               | 0      | 22.42         | 0.175        |
|            |                   | 16QAM      | 132022  | 1715.0          | 25               | 12     | 22.19         | 0.166        |
|            |                   |            |         |                 | 25               | 25     | 22.19         | 0.166        |
|            |                   |            |         |                 | 50               | 0      | 22.41         | 0.174        |
|            |                   |            |         |                 | 1                | 0      | 22.71         | 0.187        |
|            |                   |            |         |                 | 1                | 24     | 22.49         | 0.177        |
|            |                   |            |         |                 | 1                | 49     | 22.61         | 0.182        |
|            |                   |            | 132197  | 1732.5          | 25               | 0      | 21.27         | 0.134        |
|            |                   |            |         |                 | 25               | 12     | 21.24         | 0.133        |
|            |                   |            |         |                 | 25               | 25     | 21.30         | 0.135        |
|            |                   |            |         |                 | 50               | 0      | 21.37         | 0.137        |
|            |                   |            |         |                 | 1                | 0      | 22.71         | 0.187        |
|            |                   |            |         |                 | 1                | 24     | 22.48         | 0.177        |
| 132372     | 1750.0            | 1          | 49      | 22.63           | 0.183            |        |               |              |
|            |                   | 25         | 0       | 21.53           | 0.142            |        |               |              |
|            |                   | 25         | 12      | 21.29           | 0.135            |        |               |              |
|            |                   | 25         | 25      | 21.23           | 0.133            |        |               |              |
|            |                   | 50         | 0       | 21.33           | 0.136            |        |               |              |
|            |                   | 1          | 0       | <b>22.77</b>    | <b>0.189</b>     |        |               |              |
| 132022     | 1715.0            | 1          | 24      | 22.31           | 0.170            |        |               |              |
|            |                   | 1          | 49      | 22.66           | 0.185            |        |               |              |
|            |                   | 25         | 0       | 21.38           | 0.137            |        |               |              |
|            |                   | 25         | 12      | 21.19           | 0.132            |        |               |              |
|            |                   | 25         | 25      | 21.09           | 0.129            |        |               |              |
|            |                   | 50         | 0       | 21.33           | 0.136            |        |               |              |





| Band       | Channel Bandwidth | Modulation | Channel | Frequency (MHz) | RB Configuration |        | Average Power |              |
|------------|-------------------|------------|---------|-----------------|------------------|--------|---------------|--------------|
|            |                   |            |         |                 | Size             | Offset | (dBm)         | (W)          |
| LTE Band66 | 15 MHz            | QPSK       | 132047  | 1717.5          | 1                | 0      | <b>23.46</b>  | <b>0.222</b> |
|            |                   |            |         |                 | 1                | 37     | 23.34         | 0.216        |
|            |                   |            |         |                 | 1                | 74     | 23.24         | 0.211        |
|            |                   |            |         |                 | 36               | 0      | 22.41         | 0.174        |
|            |                   |            |         |                 | 36               | 19     | 22.31         | 0.170        |
|            |                   |            |         |                 | 36               | 39     | 22.18         | 0.165        |
|            |                   |            | 75      | 0               | 22.41            | 0.174  |               |              |
|            |                   |            | 1       | 0               | 23.31            | 0.214  |               |              |
|            |                   |            | 1       | 37              | 23.35            | 0.216  |               |              |
|            |                   |            | 1       | 74              | 23.29            | 0.213  |               |              |
|            |                   |            | 36      | 0               | 22.44            | 0.175  |               |              |
|            |                   |            | 36      | 19              | 22.27            | 0.169  |               |              |
|            |                   |            | 36      | 39              | 22.28            | 0.169  |               |              |
|            |                   |            | 75      | 0               | 22.42            | 0.175  |               |              |
|            |                   |            | 1       | 0               | 23.37            | 0.217  |               |              |
|            |                   |            | 1       | 37              | 23.45            | 0.221  |               |              |
|            |                   |            | 1       | 74              | 23.33            | 0.215  |               |              |
|            |                   |            | 36      | 0               | 22.59            | 0.182  |               |              |
|            |                   | 36         | 19      | 22.42           | 0.175            |        |               |              |
|            |                   | 36         | 39      | 22.40           | 0.174            |        |               |              |
|            |                   | 75         | 0       | 22.41           | 0.174            |        |               |              |
|            |                   | 1          | 0       | <b>22.75</b>    | <b>0.188</b>     |        |               |              |
|            |                   | 1          | 37      | 22.39           | 0.173            |        |               |              |
|            |                   | 1          | 74      | 22.40           | 0.174            |        |               |              |
|            |                   | 36         | 0       | 21.27           | 0.134            |        |               |              |
|            |                   | 36         | 19      | 21.31           | 0.135            |        |               |              |
|            |                   | 36         | 39      | 21.15           | 0.130            |        |               |              |
|            |                   | 75         | 0       | 21.31           | 0.135            |        |               |              |
|            |                   | 1          | 0       | 22.74           | 0.188            |        |               |              |
|            |                   | 1          | 37      | 22.46           | 0.176            |        |               |              |
|            |                   | 1          | 74      | 22.39           | 0.173            |        |               |              |
|            |                   | 36         | 0       | 21.43           | 0.139            |        |               |              |
|            |                   | 36         | 19      | 21.29           | 0.135            |        |               |              |
|            |                   | 36         | 39      | 21.26           | 0.134            |        |               |              |
|            |                   | 75         | 0       | 21.42           | 0.139            |        |               |              |
|            |                   | 1          | 0       | 22.71           | 0.187            |        |               |              |
| 1          | 37                | 22.49      | 0.177   |                 |                  |        |               |              |
| 1          | 74                | 22.59      | 0.182   |                 |                  |        |               |              |
| 36         | 0                 | 21.58      | 0.144   |                 |                  |        |               |              |
| 36         | 19                | 21.38      | 0.137   |                 |                  |        |               |              |
| 36         | 39                | 21.24      | 0.133   |                 |                  |        |               |              |
| 75         | 0                 | 21.41      | 0.138   |                 |                  |        |               |              |



| Band       | Channel Bandwidth | Modulation | Channel | Frequency (MHz) | RB Configuration |        | Average Power |              |
|------------|-------------------|------------|---------|-----------------|------------------|--------|---------------|--------------|
|            |                   |            |         |                 | Size             | Offset | (dBm)         | (W)          |
| LTE Band66 | 20 MHz            | QPSK       | 132072  | 1720.0          | 1                | 0      | <b>23.57</b>  | <b>0.228</b> |
|            |                   |            |         |                 | 1                | 49     | 23.14         | 0.206        |
|            |                   |            |         |                 | 1                | 99     | 23.11         | 0.205        |
|            |                   |            |         |                 | 50               | 0      | 22.30         | 0.170        |
|            |                   |            |         |                 | 50               | 25     | 22.29         | 0.169        |
|            |                   |            |         |                 | 50               | 50     | 22.11         | 0.163        |
|            |                   |            | 132197  | 1732.5          | 100              | 0      | 22.13         | 0.163        |
|            |                   |            |         |                 | 1                | 0      | 23.52         | 0.225        |
|            |                   |            |         |                 | 1                | 49     | 22.92         | 0.196        |
|            |                   |            |         |                 | 1                | 99     | 23.10         | 0.204        |
|            |                   |            |         |                 | 50               | 0      | 22.35         | 0.172        |
|            |                   |            |         |                 | 50               | 25     | 22.07         | 0.161        |
|            |                   |            | 132322  | 1745.0          | 50               | 50     | 22.07         | 0.161        |
|            |                   |            |         |                 | 100              | 0      | 22.15         | 0.164        |
|            |                   |            |         |                 | 1                | 0      | 23.48         | 0.223        |
|            |                   |            |         |                 | 1                | 49     | 23.21         | 0.209        |
|            |                   |            |         |                 | 1                | 99     | 23.32         | 0.215        |
|            |                   |            |         |                 | 50               | 0      | 22.55         | 0.180        |
|            |                   | 16QAM      | 132072  | 1720.0          | 50               | 25     | 22.38         | 0.173        |
|            |                   |            |         |                 | 50               | 50     | 22.43         | 0.175        |
|            |                   |            |         |                 | 100              | 0      | 22.44         | 0.175        |
|            |                   |            |         |                 | 1                | 0      | 22.82         | 0.191        |
|            |                   |            |         |                 | 1                | 49     | 22.32         | 0.171        |
|            |                   |            |         |                 | 1                | 99     | 22.33         | 0.171        |
|            |                   |            | 132197  | 1732.5          | 50               | 0      | 21.32         | 0.136        |
|            |                   |            |         |                 | 50               | 25     | 21.31         | 0.135        |
|            |                   |            |         |                 | 50               | 50     | 21.1          | 0.129        |
|            |                   |            |         |                 | 100              | 0      | 21.16         | 0.131        |
|            |                   |            |         |                 | 1                | 0      | <b>22.85</b>  | <b>0.193</b> |
|            |                   |            |         |                 | 1                | 49     | 22.26         | 0.168        |
|            |                   |            | 132322  | 1745.0          | 1                | 99     | 22.45         | 0.176        |
|            |                   |            |         |                 | 50               | 0      | 21.28         | 0.134        |
|            |                   |            |         |                 | 50               | 25     | 21.2          | 0.132        |
|            |                   |            |         |                 | 50               | 50     | 21.11         | 0.129        |
|            |                   |            |         |                 | 100              | 0      | 21.11         | 0.129        |
|            |                   |            |         |                 | 1                | 0      | 22.77         | 0.189        |
| 132072     | 1720.0            | 1          | 49      | 22.56           | 0.180            |        |               |              |
|            |                   | 1          | 99      | 22.54           | 0.179            |        |               |              |
|            |                   | 50         | 0       | 21.48           | 0.141            |        |               |              |
|            |                   | 50         | 25      | 21.45           | 0.140            |        |               |              |
|            |                   | 50         | 50      | 21.42           | 0.139            |        |               |              |
|            |                   | 100        | 0       | 21.32           | 0.136            |        |               |              |



2CA Band 2A+2A\_DL CA

| Test Parameters |          |            |           |           |        |        | UL Allocation |           |               |               | DL Allocation |    |       | Value | Result |
|-----------------|----------|------------|-----------|-----------|--------|--------|---------------|-----------|---------------|---------------|---------------|----|-------|-------|--------|
| PCC Band        | SCC Band | Wgap [MHz] | PCC       | SCC       | PCC CH | SCC CH | CC Modulation | PCC       |               | CC Modulation | PCC & SCC     |    |       |       |        |
|                 |          |            | Bandwidth | Bandwidth |        |        |               | NRB_alloc | RB allocation |               |               |    |       |       |        |
| Band2A          | Band2A   | 50         | 5M        | 5M        | 18625  | 19175  | QPSK          | 1         | 0             | QPSK          | 25            | 25 | 23.26 | Pass  |        |
|                 |          |            |           |           | 18625  | 19175  | QPSK          | 1         | 12            | QPSK          | 25            | 25 | 22.98 | Pass  |        |
|                 |          |            |           |           | 18625  | 19175  | QPSK          | 1         | 24            | QPSK          | 25            | 25 | 23.12 | Pass  |        |
|                 |          |            |           |           | 18625  | 19175  | QPSK          | 12        | 0             | QPSK          | 25            | 25 | 22.29 | Pass  |        |
|                 |          |            |           |           | 18625  | 19175  | QPSK          | 12        | 6             | QPSK          | 25            | 25 | 22.22 | Pass  |        |
|                 |          |            |           |           | 18625  | 19175  | QPSK          | 12        | 13            | QPSK          | 25            | 25 | 22.15 | Pass  |        |
|                 |          |            |           |           | 18625  | 19175  | QPSK          | 25        | 0             | QPSK          | 25            | 25 | 22.17 | Pass  |        |
| Band2A          | Band2A   | 45         | 5M        | 10M       | 18625  | 19150  | QPSK          | 1         | 0             | QPSK          | 25            | 50 | 23.35 | Pass  |        |
|                 |          |            |           |           | 18625  | 19150  | QPSK          | 1         | 12            | QPSK          | 25            | 50 | 23.02 | Pass  |        |
|                 |          |            |           |           | 18625  | 19150  | QPSK          | 1         | 24            | QPSK          | 25            | 50 | 23.11 | Pass  |        |
|                 |          |            |           |           | 18625  | 19150  | QPSK          | 12        | 0             | QPSK          | 25            | 50 | 22.16 | Pass  |        |
|                 |          |            |           |           | 18625  | 19150  | QPSK          | 12        | 6             | QPSK          | 25            | 50 | 22.16 | Pass  |        |
|                 |          |            |           |           | 18625  | 19150  | QPSK          | 12        | 13            | QPSK          | 25            | 50 | 22.23 | Pass  |        |
|                 |          |            |           |           | 18625  | 19150  | QPSK          | 25        | 0             | QPSK          | 25            | 50 | 22.18 | Pass  |        |
| Band2A          | Band2A   | 45         | 10M       | 5M        | 18650  | 19175  | QPSK          | 1         | 0             | QPSK          | 50            | 25 | 23.53 | Pass  |        |
|                 |          |            |           |           | 18650  | 19175  | QPSK          | 1         | 24            | QPSK          | 50            | 25 | 23.12 | Pass  |        |
|                 |          |            |           |           | 18650  | 19175  | QPSK          | 1         | 49            | QPSK          | 50            | 25 | 23.16 | Pass  |        |
|                 |          |            |           |           | 18650  | 19175  | QPSK          | 25        | 0             | QPSK          | 50            | 25 | 22.34 | Pass  |        |
|                 |          |            |           |           | 18650  | 19175  | QPSK          | 25        | 12            | QPSK          | 50            | 25 | 22.22 | Pass  |        |
|                 |          |            |           |           | 18650  | 19175  | QPSK          | 25        | 25            | QPSK          | 50            | 25 | 22.19 | Pass  |        |
|                 |          |            |           |           | 18650  | 19175  | QPSK          | 50        | 0             | QPSK          | 50            | 25 | 22.25 | Pass  |        |
| Band2A          | Band2A   | 40         | 5M        | 15M       | 18625  | 19125  | QPSK          | 1         | 0             | QPSK          | 25            | 75 | 23.22 | Pass  |        |
|                 |          |            |           |           | 18625  | 19125  | QPSK          | 1         | 12            | QPSK          | 25            | 75 | 23.08 | Pass  |        |
|                 |          |            |           |           | 18625  | 19125  | QPSK          | 1         | 24            | QPSK          | 25            | 75 | 23.08 | Pass  |        |
|                 |          |            |           |           | 18625  | 19125  | QPSK          | 12        | 0             | QPSK          | 25            | 75 | 22.16 | Pass  |        |
|                 |          |            |           |           | 18625  | 19125  | QPSK          | 12        | 6             | QPSK          | 25            | 75 | 22.26 | Pass  |        |
|                 |          |            |           |           | 18625  | 19125  | QPSK          | 12        | 13            | QPSK          | 25            | 75 | 22.11 | Pass  |        |
|                 |          |            |           |           | 18625  | 19125  | QPSK          | 25        | 0             | QPSK          | 25            | 75 | 22.22 | Pass  |        |



| Test Parameters |          |            |               |               |        |        | UL Allocation |  |               |               | DL Allocation |                         |     | Value | Result |      |
|-----------------|----------|------------|---------------|---------------|--------|--------|---------------|--|---------------|---------------|---------------|-------------------------|-----|-------|--------|------|
| PCC Band        | SCC Band | Wgap [MHz] | PCC Bandwidth | SCC Bandwidth | PCC CH | SCC CH | CC Modulation |  | PCC NRB_alloc | CC Modulation |               | PCC & SCC RB allocation |     |       |        |      |
| Band2A          | Band2A   | 40         | 15M           | 5M            | 18675  | 19175  | QPSK          |  | 1             | 0             | QPSK          |                         | 75  | 25    | 23.08  | Pass |
|                 |          |            |               |               | 18675  | 19175  | QPSK          |  | 1             | 37            | QPSK          |                         | 75  | 25    | 23.17  | Pass |
|                 |          |            |               |               | 18675  | 19175  | QPSK          |  | 1             | 74            | QPSK          |                         | 75  | 25    | 23.3   | Pass |
|                 |          |            |               |               | 18675  | 19175  | QPSK          |  | 36            | 0             | QPSK          |                         | 75  | 25    | 22.36  | Pass |
|                 |          |            |               |               | 18675  | 19175  | QPSK          |  | 36            | 19            | QPSK          |                         | 75  | 25    | 22.17  | Pass |
|                 |          |            |               |               | 18675  | 19175  | QPSK          |  | 36            | 39            | QPSK          |                         | 75  | 25    | 22.23  | Pass |
|                 |          |            |               |               | 18675  | 19175  | QPSK          |  | 75            | 0             | QPSK          |                         | 75  | 25    | 22.34  | Pass |
| Band2A          | Band2A   | 40         | 10M           | 10M           | 18650  | 19150  | QPSK          |  | 1             | 0             | QPSK          |                         | 50  | 50    | 23.38  | Pass |
|                 |          |            |               |               | 18650  | 19150  | QPSK          |  | 1             | 24            | QPSK          |                         | 50  | 50    | 23.04  | Pass |
|                 |          |            |               |               | 18650  | 19150  | QPSK          |  | 1             | 49            | QPSK          |                         | 50  | 50    | 23.07  | Pass |
|                 |          |            |               |               | 18650  | 19150  | QPSK          |  | 25            | 0             | QPSK          |                         | 50  | 50    | 22.24  | Pass |
|                 |          |            |               |               | 18650  | 19150  | QPSK          |  | 25            | 12            | QPSK          |                         | 50  | 50    | 22.21  | Pass |
|                 |          |            |               |               | 18650  | 19150  | QPSK          |  | 25            | 25            | QPSK          |                         | 50  | 50    | 22.16  | Pass |
|                 |          |            |               |               | 18650  | 19150  | QPSK          |  | 50            | 0             | QPSK          |                         | 50  | 50    | 22.18  | Pass |
| Band2A          | Band2A   | 35         | 5M            | 20M           | 18625  | 19100  | QPSK          |  | 1             | 0             | QPSK          |                         | 25  | 100   | 23.15  | Pass |
|                 |          |            |               |               | 18625  | 19100  | QPSK          |  | 1             | 12            | QPSK          |                         | 25  | 100   | 23.03  | Pass |
|                 |          |            |               |               | 18625  | 19100  | QPSK          |  | 1             | 24            | QPSK          |                         | 25  | 100   | 23.15  | Pass |
|                 |          |            |               |               | 18625  | 19100  | QPSK          |  | 12            | 0             | QPSK          |                         | 25  | 100   | 22.15  | Pass |
|                 |          |            |               |               | 18625  | 19100  | QPSK          |  | 12            | 6             | QPSK          |                         | 25  | 100   | 22.23  | Pass |
|                 |          |            |               |               | 18625  | 19100  | QPSK          |  | 12            | 13            | QPSK          |                         | 25  | 100   | 22.22  | Pass |
|                 |          |            |               |               | 18625  | 19100  | QPSK          |  | 25            | 0             | QPSK          |                         | 25  | 100   | 22.19  | Pass |
| Band2A          | Band2A   | 35         | 20M           | 5M            | 18700  | 19175  | QPSK          |  | 1             | 0             | QPSK          |                         | 100 | 25    | 23.26  | Pass |
|                 |          |            |               |               | 18700  | 19175  | QPSK          |  | 1             | 49            | QPSK          |                         | 100 | 25    | 23.08  | Pass |
|                 |          |            |               |               | 18700  | 19175  | QPSK          |  | 1             | 99            | QPSK          |                         | 100 | 25    | 23.19  | Pass |
|                 |          |            |               |               | 18700  | 19175  | QPSK          |  | 50            | 0             | QPSK          |                         | 100 | 25    | 22.27  | Pass |
|                 |          |            |               |               | 18700  | 19175  | QPSK          |  | 50            | 25            | QPSK          |                         | 100 | 25    | 22.18  | Pass |
|                 |          |            |               |               | 18700  | 19175  | QPSK          |  | 50            | 50            | QPSK          |                         | 100 | 25    | 22.23  | Pass |
|                 |          |            |               |               | 18700  | 19175  | QPSK          |  | 100           | 0             | QPSK          |                         | 100 | 25    | 22.27  | Pass |



| Test Parameters |          |            |               |               |        |        | UL Allocation |  |               |               | DL Allocation |                         |     | Value | Result |      |
|-----------------|----------|------------|---------------|---------------|--------|--------|---------------|--|---------------|---------------|---------------|-------------------------|-----|-------|--------|------|
| PCC Band        | SCC Band | Wgap [MHz] | PCC Bandwidth | SCC Bandwidth | PCC CH | SCC CH | CC Modulation |  | PCC NRB_alloc | CC Modulation |               | PCC & SCC RB allocation |     |       |        |      |
| Band2A          | Band2A   | 35         | 10M           | 15M           | 18650  | 19125  | QPSK          |  | 1             | 0             | QPSK          |                         | 50  | 75    | 23.44  | Pass |
|                 |          |            |               |               | 18650  | 19125  | QPSK          |  | 1             | 24            | QPSK          |                         | 50  | 75    | 23.07  | Pass |
|                 |          |            |               |               | 18650  | 19125  | QPSK          |  | 1             | 49            | QPSK          |                         | 50  | 75    | 23.13  | Pass |
|                 |          |            |               |               | 18650  | 19125  | QPSK          |  | 25            | 0             | QPSK          |                         | 50  | 75    | 22.35  | Pass |
|                 |          |            |               |               | 18650  | 19125  | QPSK          |  | 25            | 12            | QPSK          |                         | 50  | 75    | 22.2   | Pass |
|                 |          |            |               |               | 18650  | 19125  | QPSK          |  | 25            | 25            | QPSK          |                         | 50  | 75    | 22.14  | Pass |
|                 |          |            |               |               | 18650  | 19125  | QPSK          |  | 50            | 0             | QPSK          |                         | 50  | 75    | 22.31  | Pass |
| Band2A          | Band2A   | 35         | 15M           | 10M           | 18675  | 19150  | QPSK          |  | 1             | 0             | QPSK          |                         | 75  | 50    | 23.16  | Pass |
|                 |          |            |               |               | 18675  | 19150  | QPSK          |  | 1             | 37            | QPSK          |                         | 75  | 50    | 23.16  | Pass |
|                 |          |            |               |               | 18675  | 19150  | QPSK          |  | 1             | 74            | QPSK          |                         | 75  | 50    | 23.22  | Pass |
|                 |          |            |               |               | 18675  | 19150  | QPSK          |  | 36            | 0             | QPSK          |                         | 75  | 50    | 22.34  | Pass |
|                 |          |            |               |               | 18675  | 19150  | QPSK          |  | 36            | 19            | QPSK          |                         | 75  | 50    | 22.13  | Pass |
|                 |          |            |               |               | 18675  | 19150  | QPSK          |  | 36            | 39            | QPSK          |                         | 75  | 50    | 22.17  | Pass |
|                 |          |            |               |               | 18675  | 19150  | QPSK          |  | 75            | 0             | QPSK          |                         | 75  | 50    | 22.31  | Pass |
| Band2A          | Band2A   | 30         | 10M           | 20M           | 18650  | 19100  | QPSK          |  | 1             | 0             | QPSK          |                         | 50  | 100   | 23.49  | Pass |
|                 |          |            |               |               | 18650  | 19100  | QPSK          |  | 1             | 24            | QPSK          |                         | 50  | 100   | 23.11  | Pass |
|                 |          |            |               |               | 18650  | 19100  | QPSK          |  | 1             | 49            | QPSK          |                         | 50  | 100   | 23.11  | Pass |
|                 |          |            |               |               | 18650  | 19100  | QPSK          |  | 25            | 0             | QPSK          |                         | 50  | 100   | 22.41  | Pass |
|                 |          |            |               |               | 18650  | 19100  | QPSK          |  | 25            | 12            | QPSK          |                         | 50  | 100   | 22.23  | Pass |
|                 |          |            |               |               | 18650  | 19100  | QPSK          |  | 25            | 25            | QPSK          |                         | 50  | 100   | 22.22  | Pass |
|                 |          |            |               |               | 18650  | 19100  | QPSK          |  | 50            | 0             | QPSK          |                         | 50  | 100   | 22.22  | Pass |
| Band2A          | Band2A   | 30         | 20M           | 10M           | 18700  | 19150  | QPSK          |  | 1             | 0             | QPSK          |                         | 100 | 50    | 23.28  | Pass |
|                 |          |            |               |               | 18700  | 19150  | QPSK          |  | 1             | 49            | QPSK          |                         | 100 | 50    | 23.01  | Pass |
|                 |          |            |               |               | 18700  | 19150  | QPSK          |  | 1             | 99            | QPSK          |                         | 100 | 50    | 23.19  | Pass |
|                 |          |            |               |               | 18700  | 19150  | QPSK          |  | 50            | 0             | QPSK          |                         | 100 | 50    | 22.4   | Pass |
|                 |          |            |               |               | 18700  | 19150  | QPSK          |  | 50            | 25            | QPSK          |                         | 100 | 50    | 22.16  | Pass |
|                 |          |            |               |               | 18700  | 19150  | QPSK          |  | 50            | 50            | QPSK          |                         | 100 | 50    | 22.22  | Pass |
|                 |          |            |               |               | 18700  | 19150  | QPSK          |  | 100           | 0             | QPSK          |                         | 100 | 50    | 22.31  | Pass |



| Test Parameters |          |            |               |               |        |        | UL Allocation |  |               |               | DL Allocation |                         |     | Value | Result |      |
|-----------------|----------|------------|---------------|---------------|--------|--------|---------------|--|---------------|---------------|---------------|-------------------------|-----|-------|--------|------|
| PCC Band        | SCC Band | Wgap [MHz] | PCC Bandwidth | SCC Bandwidth | PCC CH | SCC CH | CC Modulation |  | PCC NRB_alloc | CC Modulation |               | PCC & SCC RB allocation |     |       |        |      |
| Band2A          | Band2A   | 30         | 15M           | 15M           | 18675  | 19125  | QPSK          |  | 1             | 0             | QPSK          |                         | 75  | 75    | 23.14  | Pass |
|                 |          |            |               |               | 18675  | 19125  | QPSK          |  | 1             | 37            | QPSK          |                         | 75  | 75    | 23.21  | Pass |
|                 |          |            |               |               | 18675  | 19125  | QPSK          |  | 1             | 74            | QPSK          |                         | 75  | 75    | 23.22  | Pass |
|                 |          |            |               |               | 18675  | 19125  | QPSK          |  | 36            | 0             | QPSK          |                         | 75  | 75    | 22.35  | Pass |
|                 |          |            |               |               | 18675  | 19125  | QPSK          |  | 36            | 19            | QPSK          |                         | 75  | 75    | 22.23  | Pass |
|                 |          |            |               |               | 18675  | 19125  | QPSK          |  | 36            | 39            | QPSK          |                         | 75  | 75    | 22.3   | Pass |
|                 |          |            |               |               | 18675  | 19125  | QPSK          |  | 75            | 0             | QPSK          |                         | 75  | 75    | 22.19  | Pass |
| Band2A          | Band2A   | 25         | 15M           | 20M           | 18675  | 19100  | QPSK          |  | 1             | 0             | QPSK          |                         | 75  | 100   | 23.17  | Pass |
|                 |          |            |               |               | 18675  | 19100  | QPSK          |  | 1             | 37            | QPSK          |                         | 75  | 100   | 23.26  | Pass |
|                 |          |            |               |               | 18675  | 19100  | QPSK          |  | 1             | 74            | QPSK          |                         | 75  | 100   | 23.11  | Pass |
|                 |          |            |               |               | 18675  | 19100  | QPSK          |  | 36            | 0             | QPSK          |                         | 75  | 100   | 22.27  | Pass |
|                 |          |            |               |               | 18675  | 19100  | QPSK          |  | 36            | 19            | QPSK          |                         | 75  | 100   | 22.18  | Pass |
|                 |          |            |               |               | 18675  | 19100  | QPSK          |  | 36            | 39            | QPSK          |                         | 75  | 100   | 22.27  | Pass |
|                 |          |            |               |               | 18675  | 19100  | QPSK          |  | 75            | 0             | QPSK          |                         | 75  | 100   | 22.2   | Pass |
| Band2A          | Band2A   | 25         | 20M           | 15M           | 18700  | 19125  | QPSK          |  | 1             | 0             | QPSK          |                         | 100 | 75    | 23.22  | Pass |
|                 |          |            |               |               | 18700  | 19125  | QPSK          |  | 1             | 49            | QPSK          |                         | 100 | 75    | 23     | Pass |
|                 |          |            |               |               | 18700  | 19125  | QPSK          |  | 1             | 99            | QPSK          |                         | 100 | 75    | 23.27  | Pass |
|                 |          |            |               |               | 18700  | 19125  | QPSK          |  | 50            | 0             | QPSK          |                         | 100 | 75    | 22.35  | Pass |
|                 |          |            |               |               | 18700  | 19125  | QPSK          |  | 50            | 25            | QPSK          |                         | 100 | 75    | 22.12  | Pass |
|                 |          |            |               |               | 18700  | 19125  | QPSK          |  | 50            | 50            | QPSK          |                         | 100 | 75    | 22.22  | Pass |
|                 |          |            |               |               | 18700  | 19125  | QPSK          |  | 100           | 0             | QPSK          |                         | 100 | 75    | 22.3   | Pass |
| Band2A          | Band2A   | 20         | 20M           | 20M           | 18700  | 19100  | QPSK          |  | 1             | 0             | QPSK          |                         | 100 | 100   | 23.34  | Pass |
|                 |          |            |               |               | 18700  | 19100  | QPSK          |  | 1             | 49            | QPSK          |                         | 100 | 100   | 23.04  | Pass |
|                 |          |            |               |               | 18700  | 19100  | QPSK          |  | 1             | 99            | QPSK          |                         | 100 | 100   | 23.26  | Pass |
|                 |          |            |               |               | 18700  | 19100  | QPSK          |  | 50            | 0             | QPSK          |                         | 100 | 100   | 22.35  | Pass |
|                 |          |            |               |               | 18700  | 19100  | QPSK          |  | 50            | 25            | QPSK          |                         | 100 | 100   | 22.14  | Pass |
|                 |          |            |               |               | 18700  | 19100  | QPSK          |  | 50            | 50            | QPSK          |                         | 100 | 100   | 22.28  | Pass |
|                 |          |            |               |               | 18700  | 19100  | QPSK          |  | 100           | 0             | QPSK          |                         | 100 | 100   | 22.23  | Pass |



2CA Band 2A+5A\_DL CA

| Test Parameters |          |           |           |        |        | UL Allocation |               |       | DL Allocation |                         |    | Value | Result |
|-----------------|----------|-----------|-----------|--------|--------|---------------|---------------|-------|---------------|-------------------------|----|-------|--------|
| PCC Band        | SCC Band | PCC       | SCC       | PCC CH | SCC CH | CC Modulation | PCC NRB_alloc |       | CC Modulation | PCC & SCC RB allocation |    |       |        |
|                 |          | Bandwidth | Bandwidth |        |        |               |               |       |               |                         |    |       |        |
| Band2A          | Band5A   | 5M        | 5M        | 18625  | 20425  | QPSK          | 1             | 0     | QPSK          | 25                      | 25 | 23.3  | Pass   |
|                 |          |           |           | 18625  | 20425  | QPSK          | 1             | 12    | QPSK          | 25                      | 25 | 23.08 | Pass   |
|                 |          |           |           | 18625  | 20425  | QPSK          | 1             | 24    | QPSK          | 25                      | 25 | 23.13 | Pass   |
|                 |          |           |           | 18625  | 20425  | QPSK          | 12            | 0     | QPSK          | 25                      | 25 | 22.22 | Pass   |
|                 |          |           |           | 18625  | 20425  | QPSK          | 12            | 6     | QPSK          | 25                      | 25 | 22.32 | Pass   |
|                 |          |           |           | 18625  | 20425  | QPSK          | 12            | 13    | QPSK          | 25                      | 25 | 22.18 | Pass   |
|                 |          |           |           | 18625  | 20425  | QPSK          | 25            | 0     | QPSK          | 25                      | 25 | 22.27 | Pass   |
|                 |          |           |           | 18900  | 20525  | QPSK          | 1             | 0     | QPSK          | 25                      | 25 | 23.23 | Pass   |
|                 |          |           |           | 18900  | 20525  | QPSK          | 1             | 12    | QPSK          | 25                      | 25 | 23.21 | Pass   |
|                 |          |           |           | 18900  | 20525  | QPSK          | 1             | 24    | QPSK          | 25                      | 25 | 23.15 | Pass   |
|                 |          |           |           | 18900  | 20525  | QPSK          | 12            | 0     | QPSK          | 25                      | 25 | 22.36 | Pass   |
|                 |          |           |           | 18900  | 20525  | QPSK          | 12            | 6     | QPSK          | 25                      | 25 | 22.32 | Pass   |
|                 |          |           |           | 18900  | 20525  | QPSK          | 12            | 13    | QPSK          | 25                      | 25 | 22.24 | Pass   |
|                 |          |           |           | 18900  | 20525  | QPSK          | 25            | 0     | QPSK          | 25                      | 25 | 22.23 | Pass   |
|                 |          |           |           | 19175  | 20625  | QPSK          | 1             | 0     | QPSK          | 25                      | 25 | 23.09 | Pass   |
|                 |          |           |           | 19175  | 20625  | QPSK          | 1             | 12    | QPSK          | 25                      | 25 | 23.06 | Pass   |
|                 |          |           |           | 19175  | 20625  | QPSK          | 1             | 24    | QPSK          | 25                      | 25 | 23.05 | Pass   |
|                 |          |           |           | 19175  | 20625  | QPSK          | 12            | 0     | QPSK          | 25                      | 25 | 22.34 | Pass   |
|                 |          |           |           | 19175  | 20625  | QPSK          | 12            | 6     | QPSK          | 25                      | 25 | 22.26 | Pass   |
|                 |          |           |           | 19175  | 20625  | QPSK          | 12            | 13    | QPSK          | 25                      | 25 | 22.18 | Pass   |
| 19175           | 20625    | QPSK      | 25        | 0      | QPSK   | 25            | 25            | 22.28 | Pass          |                         |    |       |        |



| Test Parameters |          |           |           |        |        | UL Allocation |               |       |               | DL Allocation           |    |       | Value | Result |
|-----------------|----------|-----------|-----------|--------|--------|---------------|---------------|-------|---------------|-------------------------|----|-------|-------|--------|
| PCC Band        | SCC Band | PCC       | SCC       | PCC CH | SCC CH | CC Modulation | PCC NRB_alloc |       | CC Modulation | PCC & SCC RB allocation |    |       |       |        |
|                 |          | Bandwidth | Bandwidth |        |        |               |               |       |               |                         |    |       |       |        |
| Band2A          | Band5A   | 10M       | 10M       | 18650  | 20450  | QPSK          | 1             | 0     | QPSK          | 50                      | 50 | 23.48 | Pass  |        |
|                 |          |           |           | 18650  | 20450  | QPSK          | 1             | 24    | QPSK          | 50                      | 50 | 23.05 | Pass  |        |
|                 |          |           |           | 18650  | 20450  | QPSK          | 1             | 49    | QPSK          | 50                      | 50 | 23.18 | Pass  |        |
|                 |          |           |           | 18650  | 20450  | QPSK          | 25            | 0     | QPSK          | 50                      | 50 | 22.45 | Pass  |        |
|                 |          |           |           | 18650  | 20450  | QPSK          | 25            | 12    | QPSK          | 50                      | 50 | 22.28 | Pass  |        |
|                 |          |           |           | 18650  | 20450  | QPSK          | 25            | 25    | QPSK          | 50                      | 50 | 22.2  | Pass  |        |
|                 |          |           |           | 18650  | 20450  | QPSK          | 50            | 0     | QPSK          | 50                      | 50 | 22.35 | Pass  |        |
|                 |          |           |           | 18900  | 20525  | QPSK          | 1             | 0     | QPSK          | 50                      | 50 | 23.47 | Pass  |        |
|                 |          |           |           | 18900  | 20525  | QPSK          | 1             | 24    | QPSK          | 50                      | 50 | 23.24 | Pass  |        |
|                 |          |           |           | 18900  | 20525  | QPSK          | 1             | 49    | QPSK          | 50                      | 50 | 23.22 | Pass  |        |
|                 |          |           |           | 18900  | 20525  | QPSK          | 25            | 0     | QPSK          | 50                      | 50 | 22.54 | Pass  |        |
|                 |          |           |           | 18900  | 20525  | QPSK          | 25            | 12    | QPSK          | 50                      | 50 | 22.37 | Pass  |        |
|                 |          |           |           | 18900  | 20525  | QPSK          | 25            | 25    | QPSK          | 50                      | 50 | 22.37 | Pass  |        |
|                 |          |           |           | 18900  | 20525  | QPSK          | 50            | 0     | QPSK          | 50                      | 50 | 22.4  | Pass  |        |
|                 |          |           |           | 19150  | 20600  | QPSK          | 1             | 0     | QPSK          | 50                      | 50 | 23.51 | Pass  |        |
|                 |          |           |           | 19150  | 20600  | QPSK          | 1             | 24    | QPSK          | 50                      | 50 | 23.05 | Pass  |        |
|                 |          |           |           | 19150  | 20600  | QPSK          | 1             | 49    | QPSK          | 50                      | 50 | 23.24 | Pass  |        |
|                 |          |           |           | 19150  | 20600  | QPSK          | 25            | 0     | QPSK          | 50                      | 50 | 22.46 | Pass  |        |
|                 |          |           |           | 19150  | 20600  | QPSK          | 25            | 12    | QPSK          | 50                      | 50 | 22.39 | Pass  |        |
|                 |          |           |           | 19150  | 20600  | QPSK          | 25            | 25    | QPSK          | 50                      | 50 | 22.32 | Pass  |        |
| 19150           | 20600    | QPSK      | 50        | 0      | QPSK   | 50            | 50            | 22.32 | Pass          |                         |    |       |       |        |





| Test Parameters |          |           |           |        |        | UL Allocation |               |       |               | DL Allocation           |    |       | Value | Result |
|-----------------|----------|-----------|-----------|--------|--------|---------------|---------------|-------|---------------|-------------------------|----|-------|-------|--------|
| PCC Band        | SCC Band | PCC       | SCC       | PCC CH | SCC CH | CC Modulation | PCC NRB_alloc |       | CC Modulation | PCC & SCC RB allocation |    |       |       |        |
|                 |          | Bandwidth | Bandwidth |        |        |               |               |       |               |                         |    |       |       |        |
| Band2A          | Band5A   | 15M       | 5M        | 18675  | 20425  | QPSK          | 1             | 0     | QPSK          | 75                      | 25 | 23.25 | Pass  |        |
|                 |          |           |           | 18675  | 20425  | QPSK          | 1             | 37    | QPSK          | 75                      | 25 | 23.21 | Pass  |        |
|                 |          |           |           | 18675  | 20425  | QPSK          | 1             | 74    | QPSK          | 75                      | 25 | 23.28 | Pass  |        |
|                 |          |           |           | 18675  | 20425  | QPSK          | 36            | 0     | QPSK          | 75                      | 25 | 22.31 | Pass  |        |
|                 |          |           |           | 18675  | 20425  | QPSK          | 36            | 19    | QPSK          | 75                      | 25 | 22.21 | Pass  |        |
|                 |          |           |           | 18675  | 20425  | QPSK          | 36            | 39    | QPSK          | 75                      | 25 | 22.19 | Pass  |        |
|                 |          |           |           | 18675  | 20425  | QPSK          | 75            | 0     | QPSK          | 75                      | 25 | 22.26 | Pass  |        |
|                 |          |           |           | 18900  | 20525  | QPSK          | 1             | 0     | QPSK          | 75                      | 25 | 23.38 | Pass  |        |
|                 |          |           |           | 18900  | 20525  | QPSK          | 1             | 37    | QPSK          | 75                      | 25 | 23.4  | Pass  |        |
|                 |          |           |           | 18900  | 20525  | QPSK          | 1             | 74    | QPSK          | 75                      | 25 | 23.32 | Pass  |        |
|                 |          |           |           | 18900  | 20525  | QPSK          | 36            | 0     | QPSK          | 75                      | 25 | 22.27 | Pass  |        |
|                 |          |           |           | 18900  | 20525  | QPSK          | 36            | 19    | QPSK          | 75                      | 25 | 22.26 | Pass  |        |
|                 |          |           |           | 18900  | 20525  | QPSK          | 36            | 39    | QPSK          | 75                      | 25 | 22.39 | Pass  |        |
|                 |          |           |           | 18900  | 20525  | QPSK          | 75            | 0     | QPSK          | 75                      | 25 | 22.41 | Pass  |        |
|                 |          |           |           | 19125  | 20625  | QPSK          | 1             | 0     | QPSK          | 75                      | 25 | 23.31 | Pass  |        |
|                 |          |           |           | 19125  | 20625  | QPSK          | 1             | 37    | QPSK          | 75                      | 25 | 23.39 | Pass  |        |
|                 |          |           |           | 19125  | 20625  | QPSK          | 1             | 74    | QPSK          | 75                      | 25 | 23.42 | Pass  |        |
|                 |          |           |           | 19125  | 20625  | QPSK          | 36            | 0     | QPSK          | 75                      | 25 | 22.39 | Pass  |        |
|                 |          |           |           | 19125  | 20625  | QPSK          | 36            | 19    | QPSK          | 75                      | 25 | 22.37 | Pass  |        |
|                 |          |           |           | 19125  | 20625  | QPSK          | 36            | 39    | QPSK          | 75                      | 25 | 22.46 | Pass  |        |
| 19125           | 20625    | QPSK      | 75        | 0      | QPSK   | 75            | 25            | 22.36 | Pass          |                         |    |       |       |        |



| Test Parameters |          |           |           |        |        | UL Allocation |               |       |               | DL Allocation           |    |       | Value | Result |
|-----------------|----------|-----------|-----------|--------|--------|---------------|---------------|-------|---------------|-------------------------|----|-------|-------|--------|
| PCC Band        | SCC Band | PCC       | SCC       | PCC CH | SCC CH | CC Modulation | PCC NRB_alloc |       | CC Modulation | PCC & SCC RB allocation |    |       |       |        |
|                 |          | Bandwidth | Bandwidth |        |        |               |               |       |               |                         |    |       |       |        |
| Band2A          | Band5A   | 15M       | 10M       | 18675  | 20450  | QPSK          | 1             | 0     | QPSK          | 75                      | 50 | 23.26 | Pass  |        |
|                 |          |           |           | 18675  | 20450  | QPSK          | 1             | 37    | QPSK          | 75                      | 50 | 23.2  | Pass  |        |
|                 |          |           |           | 18675  | 20450  | QPSK          | 1             | 74    | QPSK          | 75                      | 50 | 23.25 | Pass  |        |
|                 |          |           |           | 18675  | 20450  | QPSK          | 36            | 0     | QPSK          | 75                      | 50 | 22.33 | Pass  |        |
|                 |          |           |           | 18675  | 20450  | QPSK          | 36            | 19    | QPSK          | 75                      | 50 | 22.19 | Pass  |        |
|                 |          |           |           | 18675  | 20450  | QPSK          | 36            | 39    | QPSK          | 75                      | 50 | 22.2  | Pass  |        |
|                 |          |           |           | 18675  | 20450  | QPSK          | 75            | 0     | QPSK          | 75                      | 50 | 22.32 | Pass  |        |
|                 |          |           |           | 18900  | 20525  | QPSK          | 1             | 0     | QPSK          | 75                      | 50 | 23.38 | Pass  |        |
|                 |          |           |           | 18900  | 20525  | QPSK          | 1             | 37    | QPSK          | 75                      | 50 | 23.33 | Pass  |        |
|                 |          |           |           | 18900  | 20525  | QPSK          | 1             | 74    | QPSK          | 75                      | 50 | 23.34 | Pass  |        |
|                 |          |           |           | 18900  | 20525  | QPSK          | 36            | 0     | QPSK          | 75                      | 50 | 22.34 | Pass  |        |
|                 |          |           |           | 18900  | 20525  | QPSK          | 36            | 19    | QPSK          | 75                      | 50 | 22.32 | Pass  |        |
|                 |          |           |           | 18900  | 20525  | QPSK          | 36            | 39    | QPSK          | 75                      | 50 | 22.39 | Pass  |        |
|                 |          |           |           | 18900  | 20525  | QPSK          | 75            | 0     | QPSK          | 75                      | 50 | 22.37 | Pass  |        |
|                 |          |           |           | 19125  | 20600  | QPSK          | 1             | 0     | QPSK          | 75                      | 50 | 23.32 | Pass  |        |
|                 |          |           |           | 19125  | 20600  | QPSK          | 1             | 37    | QPSK          | 75                      | 50 | 23.44 | Pass  |        |
|                 |          |           |           | 19125  | 20600  | QPSK          | 1             | 74    | QPSK          | 75                      | 50 | 23.37 | Pass  |        |
|                 |          |           |           | 19125  | 20600  | QPSK          | 36            | 0     | QPSK          | 75                      | 50 | 22.45 | Pass  |        |
|                 |          |           |           | 19125  | 20600  | QPSK          | 36            | 19    | QPSK          | 75                      | 50 | 22.36 | Pass  |        |
|                 |          |           |           | 19125  | 20600  | QPSK          | 36            | 39    | QPSK          | 75                      | 50 | 22.45 | Pass  |        |
| 19125           | 20600    | QPSK      | 75        | 0      | QPSK   | 75            | 50            | 22.36 | Pass          |                         |    |       |       |        |



| Test Parameters |          |           |           |        |        | UL Allocation |               |       | DL Allocation |                         |    | Value | Result |
|-----------------|----------|-----------|-----------|--------|--------|---------------|---------------|-------|---------------|-------------------------|----|-------|--------|
| PCC Band        | SCC Band | PCC       | SCC       | PCC CH | SCC CH | CC Modulation | PCC NRB_alloc |       | CC Modulation | PCC & SCC RB allocation |    |       |        |
|                 |          | Bandwidth | Bandwidth |        |        |               |               |       |               |                         |    |       |        |
| Band2A          | Band5A   | 20M       | 5M        | 18700  | 20425  | QPSK          | 1             | 0     | QPSK          | 100                     | 25 | 23.39 | Pass   |
|                 |          |           |           | 18700  | 20425  | QPSK          | 1             | 49    | QPSK          | 100                     | 25 | 23.07 | Pass   |
|                 |          |           |           | 18700  | 20425  | QPSK          | 1             | 99    | QPSK          | 100                     | 25 | 23.31 | Pass   |
|                 |          |           |           | 18700  | 20425  | QPSK          | 50            | 0     | QPSK          | 100                     | 25 | 22.34 | Pass   |
|                 |          |           |           | 18700  | 20425  | QPSK          | 50            | 25    | QPSK          | 100                     | 25 | 22.22 | Pass   |
|                 |          |           |           | 18700  | 20425  | QPSK          | 50            | 50    | QPSK          | 100                     | 25 | 22.21 | Pass   |
|                 |          |           |           | 18700  | 20425  | QPSK          | 100           | 0     | QPSK          | 100                     | 25 | 22.33 | Pass   |
|                 |          |           |           | 18900  | 20525  | QPSK          | 1             | 0     | QPSK          | 100                     | 25 | 23.39 | Pass   |
|                 |          |           |           | 18900  | 20525  | QPSK          | 1             | 49    | QPSK          | 100                     | 25 | 23.1  | Pass   |
|                 |          |           |           | 18900  | 20525  | QPSK          | 1             | 99    | QPSK          | 100                     | 25 | 23.65 | Pass   |
|                 |          |           |           | 18900  | 20525  | QPSK          | 50            | 0     | QPSK          | 100                     | 25 | 22.41 | Pass   |
|                 |          |           |           | 18900  | 20525  | QPSK          | 50            | 25    | QPSK          | 100                     | 25 | 22.28 | Pass   |
|                 |          |           |           | 18900  | 20525  | QPSK          | 50            | 50    | QPSK          | 100                     | 25 | 22.38 | Pass   |
|                 |          |           |           | 18900  | 20525  | QPSK          | 100           | 0     | QPSK          | 100                     | 25 | 22.34 | Pass   |
|                 |          |           |           | 19100  | 20625  | QPSK          | 1             | 0     | QPSK          | 100                     | 25 | 23.31 | Pass   |
|                 |          |           |           | 19100  | 20625  | QPSK          | 1             | 49    | QPSK          | 100                     | 25 | 23.13 | Pass   |
|                 |          |           |           | 19100  | 20625  | QPSK          | 1             | 99    | QPSK          | 100                     | 25 | 23.54 | Pass   |
|                 |          |           |           | 19100  | 20625  | QPSK          | 50            | 0     | QPSK          | 100                     | 25 | 22.4  | Pass   |
|                 |          |           |           | 19100  | 20625  | QPSK          | 50            | 25    | QPSK          | 100                     | 25 | 22.33 | Pass   |
|                 |          |           |           | 19100  | 20625  | QPSK          | 50            | 50    | QPSK          | 100                     | 25 | 22.37 | Pass   |
| 19100           | 20625    | QPSK      | 100       | 0      | QPSK   | 100           | 25            | 22.45 | Pass          |                         |    |       |        |



| Test Parameters |          |           |           | UL Allocation |        |               |               | DL Allocation |               |                         | Value | Result |      |
|-----------------|----------|-----------|-----------|---------------|--------|---------------|---------------|---------------|---------------|-------------------------|-------|--------|------|
| PCC Band        | SCC Band | PCC       | SCC       | PCC CH        | SCC CH | CC Modulation | PCC NRB_alloc |               | CC Modulation | PCC & SCC RB allocation |       |        |      |
|                 |          | Bandwidth | Bandwidth |               |        |               |               |               |               |                         |       |        |      |
| Band2A          | Band5A   | 20M       | 10M       | 18700         | 20450  | QPSK          | 1             | 0             | QPSK          | 100                     | 50    | 23.31  | Pass |
|                 |          |           |           | 18700         | 20450  | QPSK          | 1             | 49            | QPSK          | 100                     | 50    | 23.1   | Pass |
|                 |          |           |           | 18700         | 20450  | QPSK          | 1             | 99            | QPSK          | 100                     | 50    | 23.29  | Pass |
|                 |          |           |           | 18700         | 20450  | QPSK          | 50            | 0             | QPSK          | 100                     | 50    | 22.31  | Pass |
|                 |          |           |           | 18700         | 20450  | QPSK          | 50            | 25            | QPSK          | 100                     | 50    | 22.28  | Pass |
|                 |          |           |           | 18700         | 20450  | QPSK          | 50            | 50            | QPSK          | 100                     | 50    | 22.26  | Pass |
|                 |          |           |           | 18700         | 20450  | QPSK          | 100           | 0             | QPSK          | 100                     | 50    | 22.36  | Pass |
|                 |          |           |           | 18900         | 20525  | QPSK          | 1             | 0             | QPSK          | 100                     | 50    | 23.37  | Pass |
|                 |          |           |           | 18900         | 20525  | QPSK          | 1             | 49            | QPSK          | 100                     | 50    | 23.08  | Pass |
|                 |          |           |           | 18900         | 20525  | QPSK          | 1             | 99            | QPSK          | 100                     | 50    | 23.6   | Pass |
|                 |          |           |           | 18900         | 20525  | QPSK          | 50            | 0             | QPSK          | 100                     | 50    | 22.43  | Pass |
|                 |          |           |           | 18900         | 20525  | QPSK          | 50            | 25            | QPSK          | 100                     | 50    | 22.31  | Pass |
|                 |          |           |           | 18900         | 20525  | QPSK          | 50            | 50            | QPSK          | 100                     | 50    | 22.34  | Pass |
|                 |          |           |           | 18900         | 20525  | QPSK          | 100           | 0             | QPSK          | 100                     | 50    | 22.35  | Pass |
|                 |          |           |           | 19100         | 20600  | QPSK          | 1             | 0             | QPSK          | 100                     | 50    | 23.34  | Pass |
|                 |          |           |           | 19100         | 20600  | QPSK          | 1             | 49            | QPSK          | 100                     | 50    | 23.11  | Pass |
|                 |          |           |           | 19100         | 20600  | QPSK          | 1             | 99            | QPSK          | 100                     | 50    | 23.52  | Pass |
|                 |          |           |           | 19100         | 20600  | QPSK          | 50            | 0             | QPSK          | 100                     | 50    | 22.43  | Pass |
|                 |          |           |           | 19100         | 20600  | QPSK          | 50            | 25            | QPSK          | 100                     | 50    | 22.28  | Pass |
|                 |          |           |           | 19100         | 20600  | QPSK          | 50            | 50            | QPSK          | 100                     | 50    | 22.36  | Pass |
| 19100           | 20600    | QPSK      | 100       | 0             | QPSK   | 100           | 50            | 22.46         | Pass          |                         |       |        |      |



2CA Band 2A+12A\_DL CA

| Test Parameters |          |           |           | UL Allocation |        |               |           | DL Allocation |               |           |    | Value | Result |
|-----------------|----------|-----------|-----------|---------------|--------|---------------|-----------|---------------|---------------|-----------|----|-------|--------|
| PCC Band        | SCC Band | PCC       | SCC       | PCC CH        | SCC CH | CC Modulation | PCC       |               | CC Modulation | PCC & SCC |    |       |        |
|                 |          | Bandwidth | Bandwidth |               |        |               | NRB_alloc | RB allocation |               |           |    |       |        |
| Band2A          | Band12A  | 5M        | 5M        | 18625         | 23035  | QPSK          | 1         | 0             | QPSK          | 25        | 25 | 23.24 | Pass   |
|                 |          |           |           | 18625         | 23035  | QPSK          | 1         | 12            | QPSK          | 25        | 25 | 23    | Pass   |
|                 |          |           |           | 18625         | 23035  | QPSK          | 1         | 24            | QPSK          | 25        | 25 | 23.05 | Pass   |
|                 |          |           |           | 18625         | 23035  | QPSK          | 12        | 0             | QPSK          | 25        | 25 | 22.14 | Pass   |
|                 |          |           |           | 18625         | 23035  | QPSK          | 12        | 6             | QPSK          | 25        | 25 | 22.24 | Pass   |
|                 |          |           |           | 18625         | 23035  | QPSK          | 12        | 13            | QPSK          | 25        | 25 | 22.14 | Pass   |
|                 |          |           |           | 18625         | 23035  | QPSK          | 25        | 0             | QPSK          | 25        | 25 | 22.19 | Pass   |
|                 |          |           |           | 18900         | 23095  | QPSK          | 1         | 0             | QPSK          | 25        | 25 | 23.15 | Pass   |
|                 |          |           |           | 18900         | 23095  | QPSK          | 1         | 12            | QPSK          | 25        | 25 | 23.16 | Pass   |
|                 |          |           |           | 18900         | 23095  | QPSK          | 1         | 24            | QPSK          | 25        | 25 | 23.09 | Pass   |
|                 |          |           |           | 18900         | 23095  | QPSK          | 12        | 0             | QPSK          | 25        | 25 | 22.33 | Pass   |
|                 |          |           |           | 18900         | 23095  | QPSK          | 12        | 6             | QPSK          | 25        | 25 | 22.24 | Pass   |
|                 |          |           |           | 18900         | 23095  | QPSK          | 12        | 13            | QPSK          | 25        | 25 | 22.24 | Pass   |
|                 |          |           |           | 18900         | 23095  | QPSK          | 25        | 0             | QPSK          | 25        | 25 | 22.19 | Pass   |
|                 |          |           |           | 19175         | 23155  | QPSK          | 1         | 0             | QPSK          | 25        | 25 | 23.01 | Pass   |
|                 |          |           |           | 19175         | 23155  | QPSK          | 1         | 12            | QPSK          | 25        | 25 | 23.06 | Pass   |
|                 |          |           |           | 19175         | 23155  | QPSK          | 1         | 24            | QPSK          | 25        | 25 | 22.97 | Pass   |
|                 |          |           |           | 19175         | 23155  | QPSK          | 12        | 0             | QPSK          | 25        | 25 | 22.26 | Pass   |
|                 |          |           |           | 19175         | 23155  | QPSK          | 12        | 6             | QPSK          | 25        | 25 | 22.26 | Pass   |
|                 |          |           |           | 19175         | 23155  | QPSK          | 12        | 13            | QPSK          | 25        | 25 | 22.18 | Pass   |
| 19175           | 23155    | QPSK      | 25        | 0             | QPSK   | 25            | 25        | 22.24         | Pass          |           |    |       |        |



| Test Parameters |          |           |           |        |        | UL Allocation |           |               | DL Allocation |           |    | Value | Result |
|-----------------|----------|-----------|-----------|--------|--------|---------------|-----------|---------------|---------------|-----------|----|-------|--------|
| PCC Band        | SCC Band | PCC       | SCC       | PCC CH | SCC CH | CC Modulation | PCC       |               | CC Modulation | PCC & SCC |    |       |        |
|                 |          | Bandwidth | Bandwidth |        |        |               | NRB_alloc | RB allocation |               |           |    |       |        |
| Band2A          | Band12A  | 10M       | 10M       | 18650  | 23060  | QPSK          | 1         | 0             | QPSK          | 50        | 50 | 23.45 | Pass   |
|                 |          |           |           | 18650  | 23060  | QPSK          | 1         | 24            | QPSK          | 50        | 50 | 22.99 | Pass   |
|                 |          |           |           | 18650  | 23060  | QPSK          | 1         | 49            | QPSK          | 50        | 50 | 23.18 | Pass   |
|                 |          |           |           | 18650  | 23060  | QPSK          | 25        | 0             | QPSK          | 50        | 50 | 22.4  | Pass   |
|                 |          |           |           | 18650  | 23060  | QPSK          | 25        | 12            | QPSK          | 50        | 50 | 22.25 | Pass   |
|                 |          |           |           | 18650  | 23060  | QPSK          | 25        | 25            | QPSK          | 50        | 50 | 22.19 | Pass   |
|                 |          |           |           | 18650  | 23060  | QPSK          | 50        | 0             | QPSK          | 50        | 50 | 22.35 | Pass   |
|                 |          |           |           | 18900  | 23095  | QPSK          | 1         | 0             | QPSK          | 50        | 50 | 23.42 | Pass   |
|                 |          |           |           | 18900  | 23095  | QPSK          | 1         | 24            | QPSK          | 50        | 50 | 23.23 | Pass   |
|                 |          |           |           | 18900  | 23095  | QPSK          | 1         | 49            | QPSK          | 50        | 50 | 23.21 | Pass   |
|                 |          |           |           | 18900  | 23095  | QPSK          | 25        | 0             | QPSK          | 50        | 50 | 22.48 | Pass   |
|                 |          |           |           | 18900  | 23095  | QPSK          | 25        | 12            | QPSK          | 50        | 50 | 22.27 | Pass   |
|                 |          |           |           | 18900  | 23095  | QPSK          | 25        | 25            | QPSK          | 50        | 50 | 22.33 | Pass   |
|                 |          |           |           | 18900  | 23095  | QPSK          | 50        | 0             | QPSK          | 50        | 50 | 22.32 | Pass   |
|                 |          |           |           | 19150  | 23130  | QPSK          | 1         | 0             | QPSK          | 50        | 50 | 23.41 | Pass   |
|                 |          |           |           | 19150  | 23130  | QPSK          | 1         | 24            | QPSK          | 50        | 50 | 23.02 | Pass   |
|                 |          |           |           | 19150  | 23130  | QPSK          | 1         | 49            | QPSK          | 50        | 50 | 23.24 | Pass   |
|                 |          |           |           | 19150  | 23130  | QPSK          | 25        | 0             | QPSK          | 50        | 50 | 22.41 | Pass   |
|                 |          |           |           | 19150  | 23130  | QPSK          | 25        | 12            | QPSK          | 50        | 50 | 22.34 | Pass   |
|                 |          |           |           | 19150  | 23130  | QPSK          | 25        | 25            | QPSK          | 50        | 50 | 22.22 | Pass   |
| 19150           | 23130    | QPSK      | 50        | 0      | QPSK   | 50            | 50        | 22.31         | Pass          |           |    |       |        |



| Test Parameters |          |           |           |        |        | UL Allocation |           |               | DL Allocation |           |    | Value | Result |
|-----------------|----------|-----------|-----------|--------|--------|---------------|-----------|---------------|---------------|-----------|----|-------|--------|
| PCC Band        | SCC Band | PCC       | SCC       | PCC CH | SCC CH | CC Modulation | PCC       |               | CC Modulation | PCC & SCC |    |       |        |
|                 |          | Bandwidth | Bandwidth |        |        |               | NRB_alloc | RB allocation |               |           |    |       |        |
| Band2A          | Band12A  | 15M       | 5M        | 18675  | 23035  | QPSK          | 1         | 0             | QPSK          | 75        | 25 | 23.19 | Pass   |
|                 |          |           |           | 18675  | 23035  | QPSK          | 1         | 37            | QPSK          | 75        | 25 | 23.2  | Pass   |
|                 |          |           |           | 18675  | 23035  | QPSK          | 1         | 74            | QPSK          | 75        | 25 | 23.24 | Pass   |
|                 |          |           |           | 18675  | 23035  | QPSK          | 36        | 0             | QPSK          | 75        | 25 | 22.22 | Pass   |
|                 |          |           |           | 18675  | 23035  | QPSK          | 36        | 19            | QPSK          | 75        | 25 | 22.13 | Pass   |
|                 |          |           |           | 18675  | 23035  | QPSK          | 36        | 39            | QPSK          | 75        | 25 | 22.15 | Pass   |
|                 |          |           |           | 18675  | 23035  | QPSK          | 75        | 0             | QPSK          | 75        | 25 | 22.2  | Pass   |
|                 |          |           |           | 18900  | 23095  | QPSK          | 1         | 0             | QPSK          | 75        | 25 | 23.3  | Pass   |
|                 |          |           |           | 18900  | 23095  | QPSK          | 1         | 37            | QPSK          | 75        | 25 | 23.4  | Pass   |
|                 |          |           |           | 18900  | 23095  | QPSK          | 1         | 74            | QPSK          | 75        | 25 | 23.25 | Pass   |
|                 |          |           |           | 18900  | 23095  | QPSK          | 36        | 0             | QPSK          | 75        | 25 | 22.21 | Pass   |
|                 |          |           |           | 18900  | 23095  | QPSK          | 36        | 19            | QPSK          | 75        | 25 | 22.18 | Pass   |
|                 |          |           |           | 18900  | 23095  | QPSK          | 36        | 39            | QPSK          | 75        | 25 | 22.31 | Pass   |
|                 |          |           |           | 18900  | 23095  | QPSK          | 75        | 0             | QPSK          | 75        | 25 | 22.36 | Pass   |
|                 |          |           |           | 19125  | 23155  | QPSK          | 1         | 0             | QPSK          | 75        | 25 | 23.25 | Pass   |
|                 |          |           |           | 19125  | 23155  | QPSK          | 1         | 37            | QPSK          | 75        | 25 | 23.35 | Pass   |
|                 |          |           |           | 19125  | 23155  | QPSK          | 1         | 74            | QPSK          | 75        | 25 | 23.34 | Pass   |
|                 |          |           |           | 19125  | 23155  | QPSK          | 36        | 0             | QPSK          | 75        | 25 | 22.35 | Pass   |
|                 |          |           |           | 19125  | 23155  | QPSK          | 36        | 19            | QPSK          | 75        | 25 | 22.3  | Pass   |
|                 |          |           |           | 19125  | 23155  | QPSK          | 36        | 39            | QPSK          | 75        | 25 | 22.42 | Pass   |
| 19125           | 23155    | QPSK      | 75        | 0      | QPSK   | 75            | 25        | 22.31         | Pass          |           |    |       |        |



| Test Parameters |          |           |           |        |        | UL Allocation |           |               | DL Allocation |           |    | Value | Result |
|-----------------|----------|-----------|-----------|--------|--------|---------------|-----------|---------------|---------------|-----------|----|-------|--------|
| PCC Band        | SCC Band | PCC       | SCC       | PCC CH | SCC CH | CC Modulation | PCC       |               | CC Modulation | PCC & SCC |    |       |        |
|                 |          | Bandwidth | Bandwidth |        |        |               | NRB_alloc | RB allocation |               |           |    |       |        |
| Band2A          | Band12A  | 15M       | 10M       | 18675  | 23060  | QPSK          | 1         | 0             | QPSK          | 75        | 50 | 23.23 | Pass   |
|                 |          |           |           | 18675  | 23060  | QPSK          | 1         | 37            | QPSK          | 75        | 50 | 23.12 | Pass   |
|                 |          |           |           | 18675  | 23060  | QPSK          | 1         | 74            | QPSK          | 75        | 50 | 23.23 | Pass   |
|                 |          |           |           | 18675  | 23060  | QPSK          | 36        | 0             | QPSK          | 75        | 50 | 22.32 | Pass   |
|                 |          |           |           | 18675  | 23060  | QPSK          | 36        | 19            | QPSK          | 75        | 50 | 22.11 | Pass   |
|                 |          |           |           | 18675  | 23060  | QPSK          | 36        | 39            | QPSK          | 75        | 50 | 22.15 | Pass   |
|                 |          |           |           | 18675  | 23060  | QPSK          | 75        | 0             | QPSK          | 75        | 50 | 22.25 | Pass   |
|                 |          |           |           | 18900  | 23095  | QPSK          | 1         | 0             | QPSK          | 75        | 50 | 23.34 | Pass   |
|                 |          |           |           | 18900  | 23095  | QPSK          | 1         | 37            | QPSK          | 75        | 50 | 23.28 | Pass   |
|                 |          |           |           | 18900  | 23095  | QPSK          | 1         | 74            | QPSK          | 75        | 50 | 23.32 | Pass   |
|                 |          |           |           | 18900  | 23095  | QPSK          | 36        | 0             | QPSK          | 75        | 50 | 22.3  | Pass   |
|                 |          |           |           | 18900  | 23095  | QPSK          | 36        | 19            | QPSK          | 75        | 50 | 22.31 | Pass   |
|                 |          |           |           | 18900  | 23095  | QPSK          | 36        | 39            | QPSK          | 75        | 50 | 22.3  | Pass   |
|                 |          |           |           | 18900  | 23095  | QPSK          | 75        | 0             | QPSK          | 75        | 50 | 22.33 | Pass   |
|                 |          |           |           | 19125  | 23130  | QPSK          | 1         | 0             | QPSK          | 75        | 50 | 23.26 | Pass   |
|                 |          |           |           | 19125  | 23130  | QPSK          | 1         | 37            | QPSK          | 75        | 50 | 23.41 | Pass   |
|                 |          |           |           | 19125  | 23130  | QPSK          | 1         | 74            | QPSK          | 75        | 50 | 23.32 | Pass   |
|                 |          |           |           | 19125  | 23130  | QPSK          | 36        | 0             | QPSK          | 75        | 50 | 22.41 | Pass   |
|                 |          |           |           | 19125  | 23130  | QPSK          | 36        | 19            | QPSK          | 75        | 50 | 22.31 | Pass   |
|                 |          |           |           | 19125  | 23130  | QPSK          | 36        | 39            | QPSK          | 75        | 50 | 22.39 | Pass   |
| 19125           | 23130    | QPSK      | 75        | 0      | QPSK   | 75            | 50        | 22.34         | Pass          |           |    |       |        |





| Test Parameters |          |           |           |        |        | UL Allocation |           |               | DL Allocation |           |    | Value | Result |
|-----------------|----------|-----------|-----------|--------|--------|---------------|-----------|---------------|---------------|-----------|----|-------|--------|
| PCC Band        | SCC Band | PCC       | SCC       | PCC CH | SCC CH | CC Modulation | PCC       |               | CC Modulation | PCC & SCC |    |       |        |
|                 |          | Bandwidth | Bandwidth |        |        |               | NRB_alloc | RB allocation |               |           |    |       |        |
| Band2A          | Band12A  | 20M       | 5M        | 18700  | 23035  | QPSK          | 1         | 0             | QPSK          | 100       | 25 | 23.38 | Pass   |
|                 |          |           |           | 18700  | 23035  | QPSK          | 1         | 49            | QPSK          | 100       | 25 | 23.03 | Pass   |
|                 |          |           |           | 18700  | 23035  | QPSK          | 1         | 99            | QPSK          | 100       | 25 | 23.23 | Pass   |
|                 |          |           |           | 18700  | 23035  | QPSK          | 50        | 0             | QPSK          | 100       | 25 | 22.27 | Pass   |
|                 |          |           |           | 18700  | 23035  | QPSK          | 50        | 25            | QPSK          | 100       | 25 | 22.13 | Pass   |
|                 |          |           |           | 18700  | 23035  | QPSK          | 50        | 50            | QPSK          | 100       | 25 | 22.14 | Pass   |
|                 |          |           |           | 18700  | 23035  | QPSK          | 100       | 0             | QPSK          | 100       | 25 | 22.24 | Pass   |
|                 |          |           |           | 18900  | 23095  | QPSK          | 1         | 0             | QPSK          | 100       | 25 | 23.34 | Pass   |
|                 |          |           |           | 18900  | 23095  | QPSK          | 1         | 49            | QPSK          | 100       | 25 | 23.04 | Pass   |
|                 |          |           |           | 18900  | 23095  | QPSK          | 1         | 99            | QPSK          | 100       | 25 | 23.6  | Pass   |
|                 |          |           |           | 18900  | 23095  | QPSK          | 50        | 0             | QPSK          | 100       | 25 | 22.36 | Pass   |
|                 |          |           |           | 18900  | 23095  | QPSK          | 50        | 25            | QPSK          | 100       | 25 | 22.25 | Pass   |
|                 |          |           |           | 18900  | 23095  | QPSK          | 50        | 50            | QPSK          | 100       | 25 | 22.3  | Pass   |
|                 |          |           |           | 18900  | 23095  | QPSK          | 100       | 0             | QPSK          | 100       | 25 | 22.26 | Pass   |
|                 |          |           |           | 19100  | 23155  | QPSK          | 1         | 0             | QPSK          | 100       | 25 | 23.29 | Pass   |
|                 |          |           |           | 19100  | 23155  | QPSK          | 1         | 49            | QPSK          | 100       | 25 | 23.09 | Pass   |
|                 |          |           |           | 19100  | 23155  | QPSK          | 1         | 99            | QPSK          | 100       | 25 | 23.51 | Pass   |
|                 |          |           |           | 19100  | 23155  | QPSK          | 50        | 0             | QPSK          | 100       | 25 | 22.33 | Pass   |
|                 |          |           |           | 19100  | 23155  | QPSK          | 50        | 25            | QPSK          | 100       | 25 | 22.23 | Pass   |
|                 |          |           |           | 19100  | 23155  | QPSK          | 50        | 50            | QPSK          | 100       | 25 | 22.36 | Pass   |
| 19100           | 23155    | QPSK      | 100       | 0      | QPSK   | 100           | 25        | 22.44         | Pass          |           |    |       |        |



| Test Parameters |          |           |           |        |        | UL Allocation |           |               | DL Allocation |           |    | Value | Result |
|-----------------|----------|-----------|-----------|--------|--------|---------------|-----------|---------------|---------------|-----------|----|-------|--------|
| PCC Band        | SCC Band | PCC       | SCC       | PCC CH | SCC CH | CC Modulation | PCC       |               | CC Modulation | PCC & SCC |    |       |        |
|                 |          | Bandwidth | Bandwidth |        |        |               | NRB_alloc | RB allocation |               |           |    |       |        |
| Band2A          | Band12A  | 20M       | 10M       | 18700  | 23060  | QPSK          | 1         | 0             | QPSK          | 100       | 50 | 23.23 | Pass   |
|                 |          |           |           | 18700  | 23060  | QPSK          | 1         | 49            | QPSK          | 100       | 50 | 23.05 | Pass   |
|                 |          |           |           | 18700  | 23060  | QPSK          | 1         | 99            | QPSK          | 100       | 50 | 23.24 | Pass   |
|                 |          |           |           | 18700  | 23060  | QPSK          | 50        | 0             | QPSK          | 100       | 50 | 22.29 | Pass   |
|                 |          |           |           | 18700  | 23060  | QPSK          | 50        | 25            | QPSK          | 100       | 50 | 22.24 | Pass   |
|                 |          |           |           | 18700  | 23060  | QPSK          | 50        | 50            | QPSK          | 100       | 50 | 22.19 | Pass   |
|                 |          |           |           | 18700  | 23060  | QPSK          | 100       | 0             | QPSK          | 100       | 50 | 22.27 | Pass   |
|                 |          |           |           | 18900  | 23095  | QPSK          | 1         | 0             | QPSK          | 100       | 50 | 23.29 | Pass   |
|                 |          |           |           | 18900  | 23095  | QPSK          | 1         | 49            | QPSK          | 100       | 50 | 23.01 | Pass   |
|                 |          |           |           | 18900  | 23095  | QPSK          | 1         | 99            | QPSK          | 100       | 50 | 23.54 | Pass   |
|                 |          |           |           | 18900  | 23095  | QPSK          | 50        | 0             | QPSK          | 100       | 50 | 22.42 | Pass   |
|                 |          |           |           | 18900  | 23095  | QPSK          | 50        | 25            | QPSK          | 100       | 50 | 22.26 | Pass   |
|                 |          |           |           | 18900  | 23095  | QPSK          | 50        | 50            | QPSK          | 100       | 50 | 22.32 | Pass   |
|                 |          |           |           | 18900  | 23095  | QPSK          | 100       | 0             | QPSK          | 100       | 50 | 22.32 | Pass   |
|                 |          |           |           | 19100  | 23130  | QPSK          | 1         | 0             | QPSK          | 100       | 50 | 23.26 | Pass   |
|                 |          |           |           | 19100  | 23130  | QPSK          | 1         | 49            | QPSK          | 100       | 50 | 23.1  | Pass   |
|                 |          |           |           | 19100  | 23130  | QPSK          | 1         | 99            | QPSK          | 100       | 50 | 23.45 | Pass   |
|                 |          |           |           | 19100  | 23130  | QPSK          | 50        | 0             | QPSK          | 100       | 50 | 22.39 | Pass   |
|                 |          |           |           | 19100  | 23130  | QPSK          | 50        | 25            | QPSK          | 100       | 50 | 22.21 | Pass   |
|                 |          |           |           | 19100  | 23130  | QPSK          | 50        | 50            | QPSK          | 100       | 50 | 22.27 | Pass   |
| 19100           | 23130    | QPSK      | 100       | 0      | QPSK   | 100           | 50        | 22.4          | Pass          |           |    |       |        |



2CA Band 2A+29A\_DL CA

| Test Parameters |          |           |           | UL Allocation |        |               |           | DL Allocation |               |           |    | Value | Result |
|-----------------|----------|-----------|-----------|---------------|--------|---------------|-----------|---------------|---------------|-----------|----|-------|--------|
| PCC Band        | SCC Band | PCC       | SCC       | PCC CH        | SCC CH | CC Modulation | PCC       |               | CC Modulation | PCC & SCC |    |       |        |
|                 |          | Bandwidth | Bandwidth |               |        |               | NRB_alloc | RB allocation |               |           |    |       |        |
| Band2A          | Band29A  | 5M        | 5M        | 18625         | 9685   | QPSK          | 1         | 0             | QPSK          | 25        | 25 | 23.29 | Pass   |
|                 |          |           |           | 18625         | 9685   | QPSK          | 1         | 12            | QPSK          | 25        | 25 | 23.01 | Pass   |
|                 |          |           |           | 18625         | 9685   | QPSK          | 1         | 24            | QPSK          | 25        | 25 | 23.07 | Pass   |
|                 |          |           |           | 18625         | 9685   | QPSK          | 12        | 0             | QPSK          | 25        | 25 | 22.15 | Pass   |
|                 |          |           |           | 18625         | 9685   | QPSK          | 12        | 6             | QPSK          | 25        | 25 | 22.23 | Pass   |
|                 |          |           |           | 18625         | 9685   | QPSK          | 12        | 13            | QPSK          | 25        | 25 | 22.11 | Pass   |
|                 |          |           |           | 18625         | 9685   | QPSK          | 25        | 0             | QPSK          | 25        | 25 | 22.21 | Pass   |
|                 |          |           |           | 18900         | 9715   | QPSK          | 1         | 0             | QPSK          | 25        | 25 | 23.16 | Pass   |
|                 |          |           |           | 18900         | 9715   | QPSK          | 1         | 12            | QPSK          | 25        | 25 | 23.15 | Pass   |
|                 |          |           |           | 18900         | 9715   | QPSK          | 1         | 24            | QPSK          | 25        | 25 | 23.14 | Pass   |
|                 |          |           |           | 18900         | 9715   | QPSK          | 12        | 0             | QPSK          | 25        | 25 | 22.28 | Pass   |
|                 |          |           |           | 18900         | 9715   | QPSK          | 12        | 6             | QPSK          | 25        | 25 | 22.3  | Pass   |
|                 |          |           |           | 18900         | 9715   | QPSK          | 12        | 13            | QPSK          | 25        | 25 | 22.24 | Pass   |
|                 |          |           |           | 18900         | 9715   | QPSK          | 25        | 0             | QPSK          | 25        | 25 | 22.22 | Pass   |
|                 |          |           |           | 19175         | 9745   | QPSK          | 1         | 0             | QPSK          | 25        | 25 | 22.99 | Pass   |
|                 |          |           |           | 19175         | 9745   | QPSK          | 1         | 12            | QPSK          | 25        | 25 | 22.98 | Pass   |
|                 |          |           |           | 19175         | 9745   | QPSK          | 1         | 24            | QPSK          | 25        | 25 | 22.99 | Pass   |
|                 |          |           |           | 19175         | 9745   | QPSK          | 12        | 0             | QPSK          | 25        | 25 | 22.34 | Pass   |
|                 |          |           |           | 19175         | 9745   | QPSK          | 12        | 6             | QPSK          | 25        | 25 | 22.24 | Pass   |
|                 |          |           |           | 19175         | 9745   | QPSK          | 12        | 13            | QPSK          | 25        | 25 | 22.08 | Pass   |
| 19175           | 9745     | QPSK      | 25        | 0             | QPSK   | 25            | 25        | 22.26         | Pass          |           |    |       |        |



| Test Parameters |          |           |           |        |        | UL Allocation |           |               | DL Allocation |           |    | Value | Result |
|-----------------|----------|-----------|-----------|--------|--------|---------------|-----------|---------------|---------------|-----------|----|-------|--------|
| PCC Band        | SCC Band | PCC       | SCC       | PCC CH | SCC CH | CC Modulation | PCC       |               | CC Modulation | PCC & SCC |    |       |        |
|                 |          | Bandwidth | Bandwidth |        |        |               | NRB_alloc | RB allocation |               |           |    |       |        |
| Band2A          | Band29A  | 10M       | 10M       | 18650  | 9710   | QPSK          | 1         | 0             | QPSK          | 50        | 50 | 23.43 | Pass   |
|                 |          |           |           | 18650  | 9710   | QPSK          | 1         | 24            | QPSK          | 50        | 50 | 23.02 | Pass   |
|                 |          |           |           | 18650  | 9710   | QPSK          | 1         | 49            | QPSK          | 50        | 50 | 23.14 | Pass   |
|                 |          |           |           | 18650  | 9710   | QPSK          | 25        | 0             | QPSK          | 50        | 50 | 22.38 | Pass   |
|                 |          |           |           | 18650  | 9710   | QPSK          | 25        | 12            | QPSK          | 50        | 50 | 22.19 | Pass   |
|                 |          |           |           | 18650  | 9710   | QPSK          | 25        | 25            | QPSK          | 50        | 50 | 22.17 | Pass   |
|                 |          |           |           | 18650  | 9710   | QPSK          | 50        | 0             | QPSK          | 50        | 50 | 22.32 | Pass   |
|                 |          |           |           | 18900  | 9715   | QPSK          | 1         | 0             | QPSK          | 50        | 50 | 23.38 | Pass   |
|                 |          |           |           | 18900  | 9715   | QPSK          | 1         | 24            | QPSK          | 50        | 50 | 23.18 | Pass   |
|                 |          |           |           | 18900  | 9715   | QPSK          | 1         | 49            | QPSK          | 50        | 50 | 23.14 | Pass   |
|                 |          |           |           | 18900  | 9715   | QPSK          | 25        | 0             | QPSK          | 50        | 50 | 22.52 | Pass   |
|                 |          |           |           | 18900  | 9715   | QPSK          | 25        | 12            | QPSK          | 50        | 50 | 22.34 | Pass   |
|                 |          |           |           | 18900  | 9715   | QPSK          | 25        | 25            | QPSK          | 50        | 50 | 22.35 | Pass   |
|                 |          |           |           | 18900  | 9715   | QPSK          | 50        | 0             | QPSK          | 50        | 50 | 22.3  | Pass   |
|                 |          |           |           | 19150  | 9720   | QPSK          | 1         | 0             | QPSK          | 50        | 50 | 23.44 | Pass   |
|                 |          |           |           | 19150  | 9720   | QPSK          | 1         | 24            | QPSK          | 50        | 50 | 22.96 | Pass   |
|                 |          |           |           | 19150  | 9720   | QPSK          | 1         | 49            | QPSK          | 50        | 50 | 23.15 | Pass   |
|                 |          |           |           | 19150  | 9720   | QPSK          | 25        | 0             | QPSK          | 50        | 50 | 22.44 | Pass   |
|                 |          |           |           | 19150  | 9720   | QPSK          | 25        | 12            | QPSK          | 50        | 50 | 22.34 | Pass   |
|                 |          |           |           | 19150  | 9720   | QPSK          | 25        | 25            | QPSK          | 50        | 50 | 22.31 | Pass   |
| 19150           | 9720     | QPSK      | 50        | 0      | QPSK   | 50            | 50        | 22.27         | Pass          |           |    |       |        |



| Test Parameters |          |           |           |        |        | UL Allocation |           |               | DL Allocation |           |    | Value | Result |
|-----------------|----------|-----------|-----------|--------|--------|---------------|-----------|---------------|---------------|-----------|----|-------|--------|
| PCC Band        | SCC Band | PCC       | SCC       | PCC CH | SCC CH | CC Modulation | PCC       |               | CC Modulation | PCC & SCC |    |       |        |
|                 |          | Bandwidth | Bandwidth |        |        |               | NRB_alloc | RB allocation |               |           |    |       |        |
| Band2A          | Band29A  | 15M       | 5M        | 18675  | 9685   | QPSK          | 1         | 0             | QPSK          | 75        | 25 | 23.2  | Pass   |
|                 |          |           |           | 18675  | 9685   | QPSK          | 1         | 37            | QPSK          | 75        | 25 | 23.12 | Pass   |
|                 |          |           |           | 18675  | 9685   | QPSK          | 1         | 74            | QPSK          | 75        | 25 | 23.25 | Pass   |
|                 |          |           |           | 18675  | 9685   | QPSK          | 36        | 0             | QPSK          | 75        | 25 | 22.22 | Pass   |
|                 |          |           |           | 18675  | 9685   | QPSK          | 36        | 19            | QPSK          | 75        | 25 | 22.17 | Pass   |
|                 |          |           |           | 18675  | 9685   | QPSK          | 36        | 39            | QPSK          | 75        | 25 | 22.14 | Pass   |
|                 |          |           |           | 18675  | 9685   | QPSK          | 75        | 0             | QPSK          | 75        | 25 | 22.17 | Pass   |
|                 |          |           |           | 18900  | 9715   | QPSK          | 1         | 0             | QPSK          | 75        | 25 | 23.28 | Pass   |
|                 |          |           |           | 18900  | 9715   | QPSK          | 1         | 37            | QPSK          | 75        | 25 | 23.34 | Pass   |
|                 |          |           |           | 18900  | 9715   | QPSK          | 1         | 74            | QPSK          | 75        | 25 | 23.3  | Pass   |
|                 |          |           |           | 18900  | 9715   | QPSK          | 36        | 0             | QPSK          | 75        | 25 | 22.25 | Pass   |
|                 |          |           |           | 18900  | 9715   | QPSK          | 36        | 19            | QPSK          | 75        | 25 | 22.25 | Pass   |
|                 |          |           |           | 18900  | 9715   | QPSK          | 36        | 39            | QPSK          | 75        | 25 | 22.36 | Pass   |
|                 |          |           |           | 18900  | 9715   | QPSK          | 75        | 0             | QPSK          | 75        | 25 | 22.4  | Pass   |
|                 |          |           |           | 19125  | 9745   | QPSK          | 1         | 0             | QPSK          | 75        | 25 | 23.24 | Pass   |
|                 |          |           |           | 19125  | 9745   | QPSK          | 1         | 37            | QPSK          | 75        | 25 | 23.34 | Pass   |
|                 |          |           |           | 19125  | 9745   | QPSK          | 1         | 74            | QPSK          | 75        | 25 | 23.32 | Pass   |
|                 |          |           |           | 19125  | 9745   | QPSK          | 36        | 0             | QPSK          | 75        | 25 | 22.34 | Pass   |
|                 |          |           |           | 19125  | 9745   | QPSK          | 36        | 19            | QPSK          | 75        | 25 | 22.28 | Pass   |
|                 |          |           |           | 19125  | 9745   | QPSK          | 36        | 39            | QPSK          | 75        | 25 | 22.37 | Pass   |
| 19125           | 9745     | QPSK      | 75        | 0      | QPSK   | 75            | 25        | 22.3          | Pass          |           |    |       |        |



| Test Parameters |          |           |           |        |        | UL Allocation |           |               | DL Allocation |           |    | Value | Result |
|-----------------|----------|-----------|-----------|--------|--------|---------------|-----------|---------------|---------------|-----------|----|-------|--------|
| PCC Band        | SCC Band | PCC       | SCC       | PCC CH | SCC CH | CC Modulation | PCC       |               | CC Modulation | PCC & SCC |    |       |        |
|                 |          | Bandwidth | Bandwidth |        |        |               | NRB_alloc | RB allocation |               |           |    |       |        |
| Band2A          | Band29A  | 15M       | 10M       | 18675  | 9710   | QPSK          | 1         | 0             | QPSK          | 75        | 50 | 23.17 | Pass   |
|                 |          |           |           | 18675  | 9710   | QPSK          | 1         | 37            | QPSK          | 75        | 50 | 23.17 | Pass   |
|                 |          |           |           | 18675  | 9710   | QPSK          | 1         | 74            | QPSK          | 75        | 50 | 23.18 | Pass   |
|                 |          |           |           | 18675  | 9710   | QPSK          | 36        | 0             | QPSK          | 75        | 50 | 22.32 | Pass   |
|                 |          |           |           | 18675  | 9710   | QPSK          | 36        | 19            | QPSK          | 75        | 50 | 22.19 | Pass   |
|                 |          |           |           | 18675  | 9710   | QPSK          | 36        | 39            | QPSK          | 75        | 50 | 22.17 | Pass   |
|                 |          |           |           | 18675  | 9710   | QPSK          | 75        | 0             | QPSK          | 75        | 50 | 22.31 | Pass   |
|                 |          |           |           | 18900  | 9715   | QPSK          | 1         | 0             | QPSK          | 75        | 50 | 23.34 | Pass   |
|                 |          |           |           | 18900  | 9715   | QPSK          | 1         | 37            | QPSK          | 75        | 50 | 23.28 | Pass   |
|                 |          |           |           | 18900  | 9715   | QPSK          | 1         | 74            | QPSK          | 75        | 50 | 23.3  | Pass   |
|                 |          |           |           | 18900  | 9715   | QPSK          | 36        | 0             | QPSK          | 75        | 50 | 22.26 | Pass   |
|                 |          |           |           | 18900  | 9715   | QPSK          | 36        | 19            | QPSK          | 75        | 50 | 22.24 | Pass   |
|                 |          |           |           | 18900  | 9715   | QPSK          | 36        | 39            | QPSK          | 75        | 50 | 22.34 | Pass   |
|                 |          |           |           | 18900  | 9715   | QPSK          | 75        | 0             | QPSK          | 75        | 50 | 22.3  | Pass   |
|                 |          |           |           | 19125  | 9720   | QPSK          | 1         | 0             | QPSK          | 75        | 50 | 23.25 | Pass   |
|                 |          |           |           | 19125  | 9720   | QPSK          | 1         | 37            | QPSK          | 75        | 50 | 23.37 | Pass   |
|                 |          |           |           | 19125  | 9720   | QPSK          | 1         | 74            | QPSK          | 75        | 50 | 23.35 | Pass   |
|                 |          |           |           | 19125  | 9720   | QPSK          | 36        | 0             | QPSK          | 75        | 50 | 22.35 | Pass   |
|                 |          |           |           | 19125  | 9720   | QPSK          | 36        | 19            | QPSK          | 75        | 50 | 22.36 | Pass   |
|                 |          |           |           | 19125  | 9720   | QPSK          | 36        | 39            | QPSK          | 75        | 50 | 22.36 | Pass   |
| 19125           | 9720     | QPSK      | 75        | 0      | QPSK   | 75            | 50        | 22.26         | Pass          |           |    |       |        |



| Test Parameters |          |           |           |        |        | UL Allocation |           |               | DL Allocation |           |    | Value | Result |
|-----------------|----------|-----------|-----------|--------|--------|---------------|-----------|---------------|---------------|-----------|----|-------|--------|
| PCC Band        | SCC Band | PCC       | SCC       | PCC CH | SCC CH | CC Modulation | PCC       |               | CC Modulation | PCC & SCC |    |       |        |
|                 |          | Bandwidth | Bandwidth |        |        |               | NRB_alloc | RB allocation |               |           |    |       |        |
| Band2A          | Band29A  | 20M       | 5M        | 18700  | 9685   | QPSK          | 1         | 0             | QPSK          | 100       | 25 | 23.37 | Pass   |
|                 |          |           |           | 18700  | 9685   | QPSK          | 1         | 49            | QPSK          | 100       | 25 | 23.01 | Pass   |
|                 |          |           |           | 18700  | 9685   | QPSK          | 1         | 99            | QPSK          | 100       | 25 | 23.23 | Pass   |
|                 |          |           |           | 18700  | 9685   | QPSK          | 50        | 0             | QPSK          | 100       | 25 | 22.28 | Pass   |
|                 |          |           |           | 18700  | 9685   | QPSK          | 50        | 25            | QPSK          | 100       | 25 | 22.17 | Pass   |
|                 |          |           |           | 18700  | 9685   | QPSK          | 50        | 50            | QPSK          | 100       | 25 | 22.19 | Pass   |
|                 |          |           |           | 18700  | 9685   | QPSK          | 100       | 0             | QPSK          | 100       | 25 | 22.33 | Pass   |
|                 |          |           |           | 18900  | 9715   | QPSK          | 1         | 0             | QPSK          | 100       | 25 | 23.38 | Pass   |
|                 |          |           |           | 18900  | 9715   | QPSK          | 1         | 49            | QPSK          | 100       | 25 | 23.09 | Pass   |
|                 |          |           |           | 18900  | 9715   | QPSK          | 1         | 99            | QPSK          | 100       | 25 | 23.55 | Pass   |
|                 |          |           |           | 18900  | 9715   | QPSK          | 50        | 0             | QPSK          | 100       | 25 | 22.34 | Pass   |
|                 |          |           |           | 18900  | 9715   | QPSK          | 50        | 25            | QPSK          | 100       | 25 | 22.19 | Pass   |
|                 |          |           |           | 18900  | 9715   | QPSK          | 50        | 50            | QPSK          | 100       | 25 | 22.32 | Pass   |
|                 |          |           |           | 18900  | 9715   | QPSK          | 100       | 0             | QPSK          | 100       | 25 | 22.29 | Pass   |
|                 |          |           |           | 19100  | 9745   | QPSK          | 1         | 0             | QPSK          | 100       | 25 | 23.27 | Pass   |
|                 |          |           |           | 19100  | 9745   | QPSK          | 1         | 49            | QPSK          | 100       | 25 | 23.06 | Pass   |
|                 |          |           |           | 19100  | 9745   | QPSK          | 1         | 99            | QPSK          | 100       | 25 | 23.49 | Pass   |
|                 |          |           |           | 19100  | 9745   | QPSK          | 50        | 0             | QPSK          | 100       | 25 | 22.31 | Pass   |
|                 |          |           |           | 19100  | 9745   | QPSK          | 50        | 25            | QPSK          | 100       | 25 | 22.3  | Pass   |
|                 |          |           |           | 19100  | 9745   | QPSK          | 50        | 50            | QPSK          | 100       | 25 | 22.34 | Pass   |
| 19100           | 9745     | QPSK      | 100       | 0      | QPSK   | 100           | 25        | 22.4          | Pass          |           |    |       |        |



| Test Parameters |          |           |           |        |        | UL Allocation |           |               | DL Allocation |           |    | Value | Result |
|-----------------|----------|-----------|-----------|--------|--------|---------------|-----------|---------------|---------------|-----------|----|-------|--------|
| PCC Band        | SCC Band | PCC       | SCC       | PCC CH | SCC CH | CC Modulation | PCC       |               | CC Modulation | PCC & SCC |    |       |        |
|                 |          | Bandwidth | Bandwidth |        |        |               | NRB_alloc | RB allocation |               |           |    |       |        |
| Band2A          | Band29A  | 20M       | 10M       | 18700  | 9710   | QPSK          | 1         | 0             | QPSK          | 100       | 50 | 23.24 | Pass   |
|                 |          |           |           | 18700  | 9710   | QPSK          | 1         | 49            | QPSK          | 100       | 50 | 23.09 | Pass   |
|                 |          |           |           | 18700  | 9710   | QPSK          | 1         | 99            | QPSK          | 100       | 50 | 23.28 | Pass   |
|                 |          |           |           | 18700  | 9710   | QPSK          | 50        | 0             | QPSK          | 100       | 50 | 22.26 | Pass   |
|                 |          |           |           | 18700  | 9710   | QPSK          | 50        | 25            | QPSK          | 100       | 50 | 22.24 | Pass   |
|                 |          |           |           | 18700  | 9710   | QPSK          | 50        | 50            | QPSK          | 100       | 50 | 22.23 | Pass   |
|                 |          |           |           | 18700  | 9710   | QPSK          | 100       | 0             | QPSK          | 100       | 50 | 22.26 | Pass   |
|                 |          |           |           | 18900  | 9715   | QPSK          | 1         | 0             | QPSK          | 100       | 50 | 23.37 | Pass   |
|                 |          |           |           | 18900  | 9715   | QPSK          | 1         | 49            | QPSK          | 100       | 50 | 23.03 | Pass   |
|                 |          |           |           | 18900  | 9715   | QPSK          | 1         | 99            | QPSK          | 100       | 50 | 23.53 | Pass   |
|                 |          |           |           | 18900  | 9715   | QPSK          | 50        | 0             | QPSK          | 100       | 50 | 22.38 | Pass   |
|                 |          |           |           | 18900  | 9715   | QPSK          | 50        | 25            | QPSK          | 100       | 50 | 22.24 | Pass   |
|                 |          |           |           | 18900  | 9715   | QPSK          | 50        | 50            | QPSK          | 100       | 50 | 22.34 | Pass   |
|                 |          |           |           | 18900  | 9715   | QPSK          | 100       | 0             | QPSK          | 100       | 50 | 22.35 | Pass   |
|                 |          |           |           | 19100  | 9720   | QPSK          | 1         | 0             | QPSK          | 100       | 50 | 23.31 | Pass   |
|                 |          |           |           | 19100  | 9720   | QPSK          | 1         | 49            | QPSK          | 100       | 50 | 23.04 | Pass   |
|                 |          |           |           | 19100  | 9720   | QPSK          | 1         | 99            | QPSK          | 100       | 50 | 23.47 | Pass   |
|                 |          |           |           | 19100  | 9720   | QPSK          | 50        | 0             | QPSK          | 100       | 50 | 22.37 | Pass   |
|                 |          |           |           | 19100  | 9720   | QPSK          | 50        | 25            | QPSK          | 100       | 50 | 22.26 | Pass   |
|                 |          |           |           | 19100  | 9720   | QPSK          | 50        | 50            | QPSK          | 100       | 50 | 22.33 | Pass   |
| 19100           | 9720     | QPSK      | 100       | 0      | QPSK   | 100           | 50        | 22.41         | Pass          |           |    |       |        |





2CA Band 2A+30A\_DL CA

| Test Parameters |          |           |           | UL Allocation |        |               |           | DL Allocation |               |           |    | Value | Result |
|-----------------|----------|-----------|-----------|---------------|--------|---------------|-----------|---------------|---------------|-----------|----|-------|--------|
| PCC Band        | SCC Band | PCC       | SCC       | PCC CH        | SCC CH | CC Modulation | PCC       |               | CC Modulation | PCC & SCC |    |       |        |
|                 |          | Bandwidth | Bandwidth |               |        |               | NRB_alloc | RB allocation |               |           |    |       |        |
| Band2A          | Band30A  | 5M        | 5M        | 18625         | 27685  | QPSK          | 1         | 0             | QPSK          | 25        | 25 | 23.28 | Pass   |
|                 |          |           |           | 18625         | 27685  | QPSK          | 1         | 12            | QPSK          | 25        | 25 | 23.04 | Pass   |
|                 |          |           |           | 18625         | 27685  | QPSK          | 1         | 24            | QPSK          | 25        | 25 | 23.1  | Pass   |
|                 |          |           |           | 18625         | 27685  | QPSK          | 12        | 0             | QPSK          | 25        | 25 | 22.17 | Pass   |
|                 |          |           |           | 18625         | 27685  | QPSK          | 12        | 6             | QPSK          | 25        | 25 | 22.31 | Pass   |
|                 |          |           |           | 18625         | 27685  | QPSK          | 12        | 13            | QPSK          | 25        | 25 | 22.1  | Pass   |
|                 |          |           |           | 18625         | 27685  | QPSK          | 25        | 0             | QPSK          | 25        | 25 | 22.25 | Pass   |
|                 |          |           |           | 18900         | 27710  | QPSK          | 1         | 0             | QPSK          | 25        | 25 | 23.18 | Pass   |
|                 |          |           |           | 18900         | 27710  | QPSK          | 1         | 12            | QPSK          | 25        | 25 | 23.17 | Pass   |
|                 |          |           |           | 18900         | 27710  | QPSK          | 1         | 24            | QPSK          | 25        | 25 | 23.08 | Pass   |
|                 |          |           |           | 18900         | 27710  | QPSK          | 12        | 0             | QPSK          | 25        | 25 | 22.33 | Pass   |
|                 |          |           |           | 18900         | 27710  | QPSK          | 12        | 6             | QPSK          | 25        | 25 | 22.26 | Pass   |
|                 |          |           |           | 18900         | 27710  | QPSK          | 12        | 13            | QPSK          | 25        | 25 | 22.15 | Pass   |
|                 |          |           |           | 18900         | 27710  | QPSK          | 25        | 0             | QPSK          | 25        | 25 | 22.16 | Pass   |
|                 |          |           |           | 19175         | 27735  | QPSK          | 1         | 0             | QPSK          | 25        | 25 | 23.04 | Pass   |
|                 |          |           |           | 19175         | 27735  | QPSK          | 1         | 12            | QPSK          | 25        | 25 | 22.99 | Pass   |
|                 |          |           |           | 19175         | 27735  | QPSK          | 1         | 24            | QPSK          | 25        | 25 | 22.98 | Pass   |
|                 |          |           |           | 19175         | 27735  | QPSK          | 12        | 0             | QPSK          | 25        | 25 | 22.25 | Pass   |
|                 |          |           |           | 19175         | 27735  | QPSK          | 12        | 6             | QPSK          | 25        | 25 | 22.22 | Pass   |
|                 |          |           |           | 19175         | 27735  | QPSK          | 12        | 13            | QPSK          | 25        | 25 | 22.16 | Pass   |
| 19175           | 27735    | QPSK      | 25        | 0             | QPSK   | 25            | 25        | 22.22         | Pass          |           |    |       |        |



| Test Parameters |          |           |           |        |        | UL Allocation |           |               | DL Allocation |           |    | Value | Result |
|-----------------|----------|-----------|-----------|--------|--------|---------------|-----------|---------------|---------------|-----------|----|-------|--------|
| PCC Band        | SCC Band | PCC       | SCC       | PCC CH | SCC CH | CC Modulation | PCC       |               | CC Modulation | PCC & SCC |    |       |        |
|                 |          | Bandwidth | Bandwidth |        |        |               | NRB_alloc | RB allocation |               |           |    |       |        |
| Band2A          | Band30A  | 10M       | 10M       | 18650  | 27710  | QPSK          | 1         | 0             | QPSK          | 50        | 50 | 23.44 | Pass   |
|                 |          |           |           | 18650  | 27710  | QPSK          | 1         | 24            | QPSK          | 50        | 50 | 23    | Pass   |
|                 |          |           |           | 18650  | 27710  | QPSK          | 1         | 49            | QPSK          | 50        | 50 | 23.13 | Pass   |
|                 |          |           |           | 18650  | 27710  | QPSK          | 25        | 0             | QPSK          | 50        | 50 | 22.39 | Pass   |
|                 |          |           |           | 18650  | 27710  | QPSK          | 25        | 12            | QPSK          | 50        | 50 | 22.2  | Pass   |
|                 |          |           |           | 18650  | 27710  | QPSK          | 25        | 25            | QPSK          | 50        | 50 | 22.11 | Pass   |
|                 |          |           |           | 18650  | 27710  | QPSK          | 50        | 0             | QPSK          | 50        | 50 | 22.33 | Pass   |
|                 |          |           |           | 18900  | 27710  | QPSK          | 1         | 0             | QPSK          | 50        | 50 | 23.38 | Pass   |
|                 |          |           |           | 18900  | 27710  | QPSK          | 1         | 24            | QPSK          | 50        | 50 | 23.19 | Pass   |
|                 |          |           |           | 18900  | 27710  | QPSK          | 1         | 49            | QPSK          | 50        | 50 | 23.2  | Pass   |
|                 |          |           |           | 18900  | 27710  | QPSK          | 25        | 0             | QPSK          | 50        | 50 | 22.51 | Pass   |
|                 |          |           |           | 18900  | 27710  | QPSK          | 25        | 12            | QPSK          | 50        | 50 | 22.32 | Pass   |
|                 |          |           |           | 18900  | 27710  | QPSK          | 25        | 25            | QPSK          | 50        | 50 | 22.32 | Pass   |
|                 |          |           |           | 18900  | 27710  | QPSK          | 50        | 0             | QPSK          | 50        | 50 | 22.39 | Pass   |
|                 |          |           |           | 19150  | 27710  | QPSK          | 1         | 0             | QPSK          | 50        | 50 | 23.48 | Pass   |
|                 |          |           |           | 19150  | 27710  | QPSK          | 1         | 24            | QPSK          | 50        | 50 | 22.97 | Pass   |
|                 |          |           |           | 19150  | 27710  | QPSK          | 1         | 49            | QPSK          | 50        | 50 | 23.17 | Pass   |
|                 |          |           |           | 19150  | 27710  | QPSK          | 25        | 0             | QPSK          | 50        | 50 | 22.41 | Pass   |
|                 |          |           |           | 19150  | 27710  | QPSK          | 25        | 12            | QPSK          | 50        | 50 | 22.33 | Pass   |
|                 |          |           |           | 19150  | 27710  | QPSK          | 25        | 25            | QPSK          | 50        | 50 | 22.26 | Pass   |
| 19150           | 27710    | QPSK      | 50        | 0      | QPSK   | 50            | 50        | 22.32         | Pass          |           |    |       |        |



| Test Parameters |          |           |           |        |        | UL Allocation |           |               | DL Allocation |           |    | Value | Result |
|-----------------|----------|-----------|-----------|--------|--------|---------------|-----------|---------------|---------------|-----------|----|-------|--------|
| PCC Band        | SCC Band | PCC       | SCC       | PCC CH | SCC CH | CC Modulation | PCC       |               | CC Modulation | PCC & SCC |    |       |        |
|                 |          | Bandwidth | Bandwidth |        |        |               | NRB_alloc | RB allocation |               |           |    |       |        |
| Band2A          | Band30A  | 15M       | 5M        | 18675  | 27685  | QPSK          | 1         | 0             | QPSK          | 75        | 25 | 23.18 | Pass   |
|                 |          |           |           | 18675  | 27685  | QPSK          | 1         | 37            | QPSK          | 75        | 25 | 23.13 | Pass   |
|                 |          |           |           | 18675  | 27685  | QPSK          | 1         | 74            | QPSK          | 75        | 25 | 23.23 | Pass   |
|                 |          |           |           | 18675  | 27685  | QPSK          | 36        | 0             | QPSK          | 75        | 25 | 22.22 | Pass   |
|                 |          |           |           | 18675  | 27685  | QPSK          | 36        | 19            | QPSK          | 75        | 25 | 22.14 | Pass   |
|                 |          |           |           | 18675  | 27685  | QPSK          | 36        | 39            | QPSK          | 75        | 25 | 22.12 | Pass   |
|                 |          |           |           | 18675  | 27685  | QPSK          | 75        | 0             | QPSK          | 75        | 25 | 22.19 | Pass   |
|                 |          |           |           | 18900  | 27710  | QPSK          | 1         | 0             | QPSK          | 75        | 25 | 23.36 | Pass   |
|                 |          |           |           | 18900  | 27710  | QPSK          | 1         | 37            | QPSK          | 75        | 25 | 23.36 | Pass   |
|                 |          |           |           | 18900  | 27710  | QPSK          | 1         | 74            | QPSK          | 75        | 25 | 23.31 | Pass   |
|                 |          |           |           | 18900  | 27710  | QPSK          | 36        | 0             | QPSK          | 75        | 25 | 22.23 | Pass   |
|                 |          |           |           | 18900  | 27710  | QPSK          | 36        | 19            | QPSK          | 75        | 25 | 22.19 | Pass   |
|                 |          |           |           | 18900  | 27710  | QPSK          | 36        | 39            | QPSK          | 75        | 25 | 22.32 | Pass   |
|                 |          |           |           | 18900  | 27710  | QPSK          | 75        | 0             | QPSK          | 75        | 25 | 22.35 | Pass   |
|                 |          |           |           | 19125  | 27735  | QPSK          | 1         | 0             | QPSK          | 75        | 25 | 23.28 | Pass   |
|                 |          |           |           | 19125  | 27735  | QPSK          | 1         | 37            | QPSK          | 75        | 25 | 23.34 | Pass   |
|                 |          |           |           | 19125  | 27735  | QPSK          | 1         | 74            | QPSK          | 75        | 25 | 23.41 | Pass   |
|                 |          |           |           | 19125  | 27735  | QPSK          | 36        | 0             | QPSK          | 75        | 25 | 22.31 | Pass   |
|                 |          |           |           | 19125  | 27735  | QPSK          | 36        | 19            | QPSK          | 75        | 25 | 22.27 | Pass   |
|                 |          |           |           | 19125  | 27735  | QPSK          | 36        | 39            | QPSK          | 75        | 25 | 22.38 | Pass   |
| 19125           | 27735    | QPSK      | 75        | 0      | QPSK   | 75            | 25        | 22.27         | Pass          |           |    |       |        |



| Test Parameters |          |           |           |        |        | UL Allocation |           |               | DL Allocation |           |    | Value | Result |
|-----------------|----------|-----------|-----------|--------|--------|---------------|-----------|---------------|---------------|-----------|----|-------|--------|
| PCC Band        | SCC Band | PCC       | SCC       | PCC CH | SCC CH | CC Modulation | PCC       |               | CC Modulation | PCC & SCC |    |       |        |
|                 |          | Bandwidth | Bandwidth |        |        |               | NRB_alloc | RB allocation |               |           |    |       |        |
| Band2A          | Band30A  | 15M       | 10M       | 18675  | 27710  | QPSK          | 1         | 0             | QPSK          | 75        | 50 | 23.19 | Pass   |
|                 |          |           |           | 18675  | 27710  | QPSK          | 1         | 37            | QPSK          | 75        | 50 | 23.13 | Pass   |
|                 |          |           |           | 18675  | 27710  | QPSK          | 1         | 74            | QPSK          | 75        | 50 | 23.16 | Pass   |
|                 |          |           |           | 18675  | 27710  | QPSK          | 36        | 0             | QPSK          | 75        | 50 | 22.27 | Pass   |
|                 |          |           |           | 18675  | 27710  | QPSK          | 36        | 19            | QPSK          | 75        | 50 | 22.19 | Pass   |
|                 |          |           |           | 18675  | 27710  | QPSK          | 36        | 39            | QPSK          | 75        | 50 | 22.17 | Pass   |
|                 |          |           |           | 18675  | 27710  | QPSK          | 75        | 0             | QPSK          | 75        | 50 | 22.27 | Pass   |
|                 |          |           |           | 18900  | 27710  | QPSK          | 1         | 0             | QPSK          | 75        | 50 | 23.29 | Pass   |
|                 |          |           |           | 18900  | 27710  | QPSK          | 1         | 37            | QPSK          | 75        | 50 | 23.26 | Pass   |
|                 |          |           |           | 18900  | 27710  | QPSK          | 1         | 74            | QPSK          | 75        | 50 | 23.34 | Pass   |
|                 |          |           |           | 18900  | 27710  | QPSK          | 36        | 0             | QPSK          | 75        | 50 | 22.33 | Pass   |
|                 |          |           |           | 18900  | 27710  | QPSK          | 36        | 19            | QPSK          | 75        | 50 | 22.32 | Pass   |
|                 |          |           |           | 18900  | 27710  | QPSK          | 36        | 39            | QPSK          | 75        | 50 | 22.36 | Pass   |
|                 |          |           |           | 18900  | 27710  | QPSK          | 75        | 0             | QPSK          | 75        | 50 | 22.3  | Pass   |
|                 |          |           |           | 19125  | 27710  | QPSK          | 1         | 0             | QPSK          | 75        | 50 | 23.28 | Pass   |
|                 |          |           |           | 19125  | 27710  | QPSK          | 1         | 37            | QPSK          | 75        | 50 | 23.44 | Pass   |
|                 |          |           |           | 19125  | 27710  | QPSK          | 1         | 74            | QPSK          | 75        | 50 | 23.35 | Pass   |
|                 |          |           |           | 19125  | 27710  | QPSK          | 36        | 0             | QPSK          | 75        | 50 | 22.37 | Pass   |
|                 |          |           |           | 19125  | 27710  | QPSK          | 36        | 19            | QPSK          | 75        | 50 | 22.33 | Pass   |
|                 |          |           |           | 19125  | 27710  | QPSK          | 36        | 39            | QPSK          | 75        | 50 | 22.37 | Pass   |
| 19125           | 27710    | QPSK      | 75        | 0      | QPSK   | 75            | 50        | 22.35         | Pass          |           |    |       |        |



| Test Parameters |          |           |           |        |        | UL Allocation |           |               | DL Allocation |           |    | Value | Result |
|-----------------|----------|-----------|-----------|--------|--------|---------------|-----------|---------------|---------------|-----------|----|-------|--------|
| PCC Band        | SCC Band | PCC       | SCC       | PCC CH | SCC CH | CC Modulation | PCC       |               | CC Modulation | PCC & SCC |    |       |        |
|                 |          | Bandwidth | Bandwidth |        |        |               | NRB_alloc | RB allocation |               |           |    |       |        |
| Band2A          | Band30A  | 20M       | 5M        | 18700  | 27685  | QPSK          | 1         | 0             | QPSK          | 100       | 25 | 23.32 | Pass   |
|                 |          |           |           | 18700  | 27685  | QPSK          | 1         | 49            | QPSK          | 100       | 25 | 22.98 | Pass   |
|                 |          |           |           | 18700  | 27685  | QPSK          | 1         | 99            | QPSK          | 100       | 25 | 23.25 | Pass   |
|                 |          |           |           | 18700  | 27685  | QPSK          | 50        | 0             | QPSK          | 100       | 25 | 22.32 | Pass   |
|                 |          |           |           | 18700  | 27685  | QPSK          | 50        | 25            | QPSK          | 100       | 25 | 22.19 | Pass   |
|                 |          |           |           | 18700  | 27685  | QPSK          | 50        | 50            | QPSK          | 100       | 25 | 22.12 | Pass   |
|                 |          |           |           | 18700  | 27685  | QPSK          | 100       | 0             | QPSK          | 100       | 25 | 22.23 | Pass   |
|                 |          |           |           | 18900  | 27710  | QPSK          | 1         | 0             | QPSK          | 100       | 25 | 23.31 | Pass   |
|                 |          |           |           | 18900  | 27710  | QPSK          | 1         | 49            | QPSK          | 100       | 25 | 23.09 | Pass   |
|                 |          |           |           | 18900  | 27710  | QPSK          | 1         | 99            | QPSK          | 100       | 25 | 23.56 | Pass   |
|                 |          |           |           | 18900  | 27710  | QPSK          | 50        | 0             | QPSK          | 100       | 25 | 22.34 | Pass   |
|                 |          |           |           | 18900  | 27710  | QPSK          | 50        | 25            | QPSK          | 100       | 25 | 22.22 | Pass   |
|                 |          |           |           | 18900  | 27710  | QPSK          | 50        | 50            | QPSK          | 100       | 25 | 22.35 | Pass   |
|                 |          |           |           | 18900  | 27710  | QPSK          | 100       | 0             | QPSK          | 100       | 25 | 22.29 | Pass   |
|                 |          |           |           | 19100  | 27735  | QPSK          | 1         | 0             | QPSK          | 100       | 25 | 23.28 | Pass   |
|                 |          |           |           | 19100  | 27735  | QPSK          | 1         | 49            | QPSK          | 100       | 25 | 23.05 | Pass   |
|                 |          |           |           | 19100  | 27735  | QPSK          | 1         | 99            | QPSK          | 100       | 25 | 23.46 | Pass   |
|                 |          |           |           | 19100  | 27735  | QPSK          | 50        | 0             | QPSK          | 100       | 25 | 22.32 | Pass   |
|                 |          |           |           | 19100  | 27735  | QPSK          | 50        | 25            | QPSK          | 100       | 25 | 22.27 | Pass   |
|                 |          |           |           | 19100  | 27735  | QPSK          | 50        | 50            | QPSK          | 100       | 25 | 22.32 | Pass   |
| 19100           | 27735    | QPSK      | 100       | 0      | QPSK   | 100           | 25        | 22.35         | Pass          |           |    |       |        |



| Test Parameters |          |           |           |        |        | UL Allocation |           |               | DL Allocation |           |    | Value | Result |
|-----------------|----------|-----------|-----------|--------|--------|---------------|-----------|---------------|---------------|-----------|----|-------|--------|
| PCC Band        | SCC Band | PCC       | SCC       | PCC CH | SCC CH | CC Modulation | PCC       |               | CC Modulation | PCC & SCC |    |       |        |
|                 |          | Bandwidth | Bandwidth |        |        |               | NRB_alloc | RB allocation |               |           |    |       |        |
| Band2A          | Band30A  | 20M       | 10M       | 18700  | 27710  | QPSK          | 1         | 0             | QPSK          | 100       | 50 | 23.3  | Pass   |
|                 |          |           |           | 18700  | 27710  | QPSK          | 1         | 49            | QPSK          | 100       | 50 | 23.05 | Pass   |
|                 |          |           |           | 18700  | 27710  | QPSK          | 1         | 99            | QPSK          | 100       | 50 | 23.28 | Pass   |
|                 |          |           |           | 18700  | 27710  | QPSK          | 50        | 0             | QPSK          | 100       | 50 | 22.27 | Pass   |
|                 |          |           |           | 18700  | 27710  | QPSK          | 50        | 25            | QPSK          | 100       | 50 | 22.18 | Pass   |
|                 |          |           |           | 18700  | 27710  | QPSK          | 50        | 50            | QPSK          | 100       | 50 | 22.23 | Pass   |
|                 |          |           |           | 18700  | 27710  | QPSK          | 100       | 0             | QPSK          | 100       | 50 | 22.34 | Pass   |
|                 |          |           |           | 18900  | 27710  | QPSK          | 1         | 0             | QPSK          | 100       | 50 | 23.3  | Pass   |
|                 |          |           |           | 18900  | 27710  | QPSK          | 1         | 49            | QPSK          | 100       | 50 | 23.03 | Pass   |
|                 |          |           |           | 18900  | 27710  | QPSK          | 1         | 99            | QPSK          | 100       | 50 | 23.53 | Pass   |
|                 |          |           |           | 18900  | 27710  | QPSK          | 50        | 0             | QPSK          | 100       | 50 | 22.37 | Pass   |
|                 |          |           |           | 18900  | 27710  | QPSK          | 50        | 25            | QPSK          | 100       | 50 | 22.24 | Pass   |
|                 |          |           |           | 18900  | 27710  | QPSK          | 50        | 50            | QPSK          | 100       | 50 | 22.26 | Pass   |
|                 |          |           |           | 18900  | 27710  | QPSK          | 100       | 0             | QPSK          | 100       | 50 | 22.31 | Pass   |
|                 |          |           |           | 19100  | 27710  | QPSK          | 1         | 0             | QPSK          | 100       | 50 | 23.26 | Pass   |
|                 |          |           |           | 19100  | 27710  | QPSK          | 1         | 49            | QPSK          | 100       | 50 | 23.07 | Pass   |
|                 |          |           |           | 19100  | 27710  | QPSK          | 1         | 99            | QPSK          | 100       | 50 | 23.47 | Pass   |
|                 |          |           |           | 19100  | 27710  | QPSK          | 50        | 0             | QPSK          | 100       | 50 | 22.34 | Pass   |
|                 |          |           |           | 19100  | 27710  | QPSK          | 50        | 25            | QPSK          | 100       | 50 | 22.26 | Pass   |
|                 |          |           |           | 19100  | 27710  | QPSK          | 50        | 50            | QPSK          | 100       | 50 | 22.31 | Pass   |
| 19100           | 27710    | QPSK      | 100       | 0      | QPSK   | 100           | 50        | 22.39         | Pass          |           |    |       |        |



2CA Band 2A+66A\_DL CA

| Test Parameters |          |           |           |        |        | UL Allocation |               |       | DL Allocation |                         |    | Value | Result |
|-----------------|----------|-----------|-----------|--------|--------|---------------|---------------|-------|---------------|-------------------------|----|-------|--------|
| PCC Band        | SCC Band | PCC       | SCC       | PCC CH | SCC CH | CC Modulation | PCC NRB_alloc |       | CC Modulation | PCC & SCC RB allocation |    |       |        |
|                 |          | Bandwidth | Bandwidth |        |        |               |               |       |               |                         |    |       |        |
| Band2A          | Band66A  | 5M        | 5M        | 18625  | 131997 | QPSK          | 1             | 0     | QPSK          | 25                      | 25 | 23.34 | Pass   |
|                 |          |           |           | 18625  | 131997 | QPSK          | 1             | 12    | QPSK          | 25                      | 25 | 23.04 | Pass   |
|                 |          |           |           | 18625  | 131997 | QPSK          | 1             | 24    | QPSK          | 25                      | 25 | 23.13 | Pass   |
|                 |          |           |           | 18625  | 131997 | QPSK          | 12            | 0     | QPSK          | 25                      | 25 | 22.3  | Pass   |
|                 |          |           |           | 18625  | 131997 | QPSK          | 12            | 6     | QPSK          | 25                      | 25 | 22.25 | Pass   |
|                 |          |           |           | 18625  | 131997 | QPSK          | 12            | 13    | QPSK          | 25                      | 25 | 22.19 | Pass   |
|                 |          |           |           | 18625  | 131997 | QPSK          | 25            | 0     | QPSK          | 25                      | 25 | 22.15 | Pass   |
|                 |          |           |           | 18900  | 132197 | QPSK          | 1             | 0     | QPSK          | 25                      | 25 | 23.33 | Pass   |
|                 |          |           |           | 18900  | 132197 | QPSK          | 1             | 12    | QPSK          | 25                      | 25 | 23.26 | Pass   |
|                 |          |           |           | 18900  | 132197 | QPSK          | 1             | 24    | QPSK          | 25                      | 25 | 23.25 | Pass   |
|                 |          |           |           | 18900  | 132197 | QPSK          | 12            | 0     | QPSK          | 25                      | 25 | 22.36 | Pass   |
|                 |          |           |           | 18900  | 132197 | QPSK          | 12            | 6     | QPSK          | 25                      | 25 | 22.36 | Pass   |
|                 |          |           |           | 18900  | 132197 | QPSK          | 12            | 13    | QPSK          | 25                      | 25 | 22.23 | Pass   |
|                 |          |           |           | 18900  | 132197 | QPSK          | 25            | 0     | QPSK          | 25                      | 25 | 22.25 | Pass   |
|                 |          |           |           | 19175  | 132397 | QPSK          | 1             | 0     | QPSK          | 25                      | 25 | 23.11 | Pass   |
|                 |          |           |           | 19175  | 132397 | QPSK          | 1             | 12    | QPSK          | 25                      | 25 | 23.15 | Pass   |
|                 |          |           |           | 19175  | 132397 | QPSK          | 1             | 24    | QPSK          | 25                      | 25 | 23.07 | Pass   |
|                 |          |           |           | 19175  | 132397 | QPSK          | 12            | 0     | QPSK          | 25                      | 25 | 22.38 | Pass   |
|                 |          |           |           | 19175  | 132397 | QPSK          | 12            | 6     | QPSK          | 25                      | 25 | 22.3  | Pass   |
|                 |          |           |           | 19175  | 132397 | QPSK          | 12            | 13    | QPSK          | 25                      | 25 | 22.21 | Pass   |
| 19175           | 132397   | QPSK      | 25        | 0      | QPSK   | 25            | 25            | 22.26 | Pass          |                         |    |       |        |



| Test Parameters |          |           |           |        |        | UL Allocation |               |       | DL Allocation |                         |    | Value | Result |
|-----------------|----------|-----------|-----------|--------|--------|---------------|---------------|-------|---------------|-------------------------|----|-------|--------|
| PCC Band        | SCC Band | PCC       | SCC       | PCC CH | SCC CH | CC Modulation | PCC NRB_alloc |       | CC Modulation | PCC & SCC RB allocation |    |       |        |
|                 |          | Bandwidth | Bandwidth |        |        |               |               |       |               |                         |    |       |        |
| Band2A          | Band66A  | 10M       | 10M       | 18650  | 132022 | QPSK          | 1             | 0     | QPSK          | 50                      | 50 | 23.49 | Pass   |
|                 |          |           |           | 18650  | 132022 | QPSK          | 1             | 24    | QPSK          | 50                      | 50 | 23.09 | Pass   |
|                 |          |           |           | 18650  | 132022 | QPSK          | 1             | 49    | QPSK          | 50                      | 50 | 23.1  | Pass   |
|                 |          |           |           | 18650  | 132022 | QPSK          | 25            | 0     | QPSK          | 50                      | 50 | 22.34 | Pass   |
|                 |          |           |           | 18650  | 132022 | QPSK          | 25            | 12    | QPSK          | 50                      | 50 | 22.27 | Pass   |
|                 |          |           |           | 18650  | 132022 | QPSK          | 25            | 25    | QPSK          | 50                      | 50 | 22.19 | Pass   |
|                 |          |           |           | 18650  | 132022 | QPSK          | 50            | 0     | QPSK          | 50                      | 50 | 22.26 | Pass   |
|                 |          |           |           | 18900  | 132197 | QPSK          | 1             | 0     | QPSK          | 50                      | 50 | 23.58 | Pass   |
|                 |          |           |           | 18900  | 132197 | QPSK          | 1             | 24    | QPSK          | 50                      | 50 | 23.23 | Pass   |
|                 |          |           |           | 18900  | 132197 | QPSK          | 1             | 49    | QPSK          | 50                      | 50 | 23.25 | Pass   |
|                 |          |           |           | 18900  | 132197 | QPSK          | 25            | 0     | QPSK          | 50                      | 50 | 22.49 | Pass   |
|                 |          |           |           | 18900  | 132197 | QPSK          | 25            | 12    | QPSK          | 50                      | 50 | 22.39 | Pass   |
|                 |          |           |           | 18900  | 132197 | QPSK          | 25            | 25    | QPSK          | 50                      | 50 | 22.33 | Pass   |
|                 |          |           |           | 18900  | 132197 | QPSK          | 50            | 0     | QPSK          | 50                      | 50 | 22.41 | Pass   |
|                 |          |           |           | 19150  | 132372 | QPSK          | 1             | 0     | QPSK          | 50                      | 50 | 23.51 | Pass   |
|                 |          |           |           | 19150  | 132372 | QPSK          | 1             | 24    | QPSK          | 50                      | 50 | 23.02 | Pass   |
|                 |          |           |           | 19150  | 132372 | QPSK          | 1             | 49    | QPSK          | 50                      | 50 | 23.19 | Pass   |
|                 |          |           |           | 19150  | 132372 | QPSK          | 25            | 0     | QPSK          | 50                      | 50 | 22.51 | Pass   |
|                 |          |           |           | 19150  | 132372 | QPSK          | 25            | 12    | QPSK          | 50                      | 50 | 22.36 | Pass   |
|                 |          |           |           | 19150  | 132372 | QPSK          | 25            | 25    | QPSK          | 50                      | 50 | 22.34 | Pass   |
| 19150           | 132372   | QPSK      | 50        | 0      | QPSK   | 50            | 50            | 22.37 | Pass          |                         |    |       |        |





| Test Parameters |          |           |           |        |        | UL Allocation |               |       | DL Allocation |                         |    | Value | Result |
|-----------------|----------|-----------|-----------|--------|--------|---------------|---------------|-------|---------------|-------------------------|----|-------|--------|
| PCC Band        | SCC Band | PCC       | SCC       | PCC CH | SCC CH | CC Modulation | PCC NRB_alloc |       | CC Modulation | PCC & SCC RB allocation |    |       |        |
|                 |          | Bandwidth | Bandwidth |        |        |               |               |       |               |                         |    |       |        |
| Band2A          | Band66A  | 15M       | 15M       | 18675  | 132047 | QPSK          | 1             | 0     | QPSK          | 75                      | 75 | 23.19 | Pass   |
|                 |          |           |           | 18675  | 132047 | QPSK          | 1             | 37    | QPSK          | 75                      | 75 | 23.25 | Pass   |
|                 |          |           |           | 18675  | 132047 | QPSK          | 1             | 74    | QPSK          | 75                      | 75 | 23.27 | Pass   |
|                 |          |           |           | 18675  | 132047 | QPSK          | 36            | 0     | QPSK          | 75                      | 75 | 22.31 | Pass   |
|                 |          |           |           | 18675  | 132047 | QPSK          | 36            | 19    | QPSK          | 75                      | 75 | 22.16 | Pass   |
|                 |          |           |           | 18675  | 132047 | QPSK          | 36            | 39    | QPSK          | 75                      | 75 | 22.18 | Pass   |
|                 |          |           |           | 18675  | 132047 | QPSK          | 75            | 0     | QPSK          | 75                      | 75 | 22.32 | Pass   |
|                 |          |           |           | 18900  | 132197 | QPSK          | 1             | 0     | QPSK          | 75                      | 75 | 23.33 | Pass   |
|                 |          |           |           | 18900  | 132197 | QPSK          | 1             | 37    | QPSK          | 75                      | 75 | 23.37 | Pass   |
|                 |          |           |           | 18900  | 132197 | QPSK          | 1             | 74    | QPSK          | 75                      | 75 | 23.47 | Pass   |
|                 |          |           |           | 18900  | 132197 | QPSK          | 36            | 0     | QPSK          | 75                      | 75 | 22.4  | Pass   |
|                 |          |           |           | 18900  | 132197 | QPSK          | 36            | 19    | QPSK          | 75                      | 75 | 22.22 | Pass   |
|                 |          |           |           | 18900  | 132197 | QPSK          | 36            | 39    | QPSK          | 75                      | 75 | 22.38 | Pass   |
|                 |          |           |           | 18900  | 132197 | QPSK          | 75            | 0     | QPSK          | 75                      | 75 | 22.33 | Pass   |
|                 |          |           |           | 19125  | 132347 | QPSK          | 1             | 0     | QPSK          | 75                      | 75 | 23.3  | Pass   |
|                 |          |           |           | 19125  | 132347 | QPSK          | 1             | 37    | QPSK          | 75                      | 75 | 23.4  | Pass   |
|                 |          |           |           | 19125  | 132347 | QPSK          | 1             | 74    | QPSK          | 75                      | 75 | 23.32 | Pass   |
|                 |          |           |           | 19125  | 132347 | QPSK          | 36            | 0     | QPSK          | 75                      | 75 | 22.38 | Pass   |
|                 |          |           |           | 19125  | 132347 | QPSK          | 36            | 19    | QPSK          | 75                      | 75 | 22.39 | Pass   |
|                 |          |           |           | 19125  | 132347 | QPSK          | 36            | 39    | QPSK          | 75                      | 75 | 22.37 | Pass   |
| 19125           | 132347   | QPSK      | 75        | 0      | QPSK   | 75            | 75            | 22.46 | Pass          |                         |    |       |        |



| Test Parameters |          |           |           |        |        | UL Allocation |               |       | DL Allocation |                         |     | Value | Result |
|-----------------|----------|-----------|-----------|--------|--------|---------------|---------------|-------|---------------|-------------------------|-----|-------|--------|
| PCC Band        | SCC Band | PCC       | SCC       | PCC CH | SCC CH | CC Modulation | PCC NRB_alloc |       | CC Modulation | PCC & SCC RB allocation |     |       |        |
|                 |          | Bandwidth | Bandwidth |        |        |               |               |       |               |                         |     |       |        |
| Band2A          | Band66A  | 20M       | 20M       | 18700  | 132072 | QPSK          | 1             | 0     | QPSK          | 100                     | 100 | 23.22 | Pass   |
|                 |          |           |           | 18700  | 132072 | QPSK          | 1             | 37    | QPSK          | 100                     | 100 | 23.1  | Pass   |
|                 |          |           |           | 18700  | 132072 | QPSK          | 1             | 74    | QPSK          | 100                     | 100 | 23.32 | Pass   |
|                 |          |           |           | 18700  | 132072 | QPSK          | 36            | 0     | QPSK          | 100                     | 100 | 22.34 | Pass   |
|                 |          |           |           | 18700  | 132072 | QPSK          | 36            | 19    | QPSK          | 100                     | 100 | 22.24 | Pass   |
|                 |          |           |           | 18700  | 132072 | QPSK          | 36            | 39    | QPSK          | 100                     | 100 | 22.26 | Pass   |
|                 |          |           |           | 18700  | 132072 | QPSK          | 75            | 0     | QPSK          | 100                     | 100 | 22.28 | Pass   |
|                 |          |           |           | 18900  | 132197 | QPSK          | 1             | 0     | QPSK          | 100                     | 100 | 23.42 | Pass   |
|                 |          |           |           | 18900  | 132197 | QPSK          | 1             | 37    | QPSK          | 100                     | 100 | 23.12 | Pass   |
|                 |          |           |           | 18900  | 132197 | QPSK          | 1             | 74    | QPSK          | 100                     | 100 | 23.65 | Pass   |
|                 |          |           |           | 18900  | 132197 | QPSK          | 36            | 0     | QPSK          | 100                     | 100 | 22.4  | Pass   |
|                 |          |           |           | 18900  | 132197 | QPSK          | 36            | 19    | QPSK          | 100                     | 100 | 22.29 | Pass   |
|                 |          |           |           | 18900  | 132197 | QPSK          | 36            | 39    | QPSK          | 100                     | 100 | 22.35 | Pass   |
|                 |          |           |           | 18900  | 132197 | QPSK          | 75            | 0     | QPSK          | 100                     | 100 | 22.32 | Pass   |
|                 |          |           |           | 19100  | 132322 | QPSK          | 1             | 0     | QPSK          | 100                     | 100 | 23.43 | Pass   |
|                 |          |           |           | 19100  | 132322 | QPSK          | 1             | 37    | QPSK          | 100                     | 100 | 23.11 | Pass   |
|                 |          |           |           | 19100  | 132322 | QPSK          | 1             | 74    | QPSK          | 100                     | 100 | 23.45 | Pass   |
|                 |          |           |           | 19100  | 132322 | QPSK          | 36            | 0     | QPSK          | 100                     | 100 | 22.46 | Pass   |
|                 |          |           |           | 19100  | 132322 | QPSK          | 36            | 19    | QPSK          | 100                     | 100 | 22.24 | Pass   |
|                 |          |           |           | 19100  | 132322 | QPSK          | 36            | 39    | QPSK          | 100                     | 100 | 22.4  | Pass   |
| 19100           | 132322   | QPSK      | 75        | 0      | QPSK   | 100           | 100           | 22.45 | Pass          |                         |     |       |        |



2CA Band 5A+30A\_DL CA

| Test Parameters |          |           |           | UL Allocation |        |               |           | DL Allocation |               |               |    | Value | Result |
|-----------------|----------|-----------|-----------|---------------|--------|---------------|-----------|---------------|---------------|---------------|----|-------|--------|
| PCC Band        | SCC Band | PCC       | SCC       | PCC CH        | SCC CH | CC Modulation | PCC       |               | CC Modulation | PCC & SCC     |    |       |        |
|                 |          | Bandwidth | Bandwidth |               |        |               | NRB_alloc | RB            |               | RB allocation |    |       |        |
| Band5A          | Band30A  | 5M        | 5M        | 20425         | 27685  | QPSK          | 1         | 0             | QPSK          | 25            | 25 | 22.81 | Pass   |
|                 |          |           |           | 20425         | 27685  | QPSK          | 1         | 12            | QPSK          | 25            | 25 | 22.71 | Pass   |
|                 |          |           |           | 20425         | 27685  | QPSK          | 1         | 24            | QPSK          | 25            | 25 | 22.78 | Pass   |
|                 |          |           |           | 20425         | 27685  | QPSK          | 12        | 0             | QPSK          | 25            | 25 | 21.79 | Pass   |
|                 |          |           |           | 20425         | 27685  | QPSK          | 12        | 6             | QPSK          | 25            | 25 | 21.75 | Pass   |
|                 |          |           |           | 20425         | 27685  | QPSK          | 12        | 13            | QPSK          | 25            | 25 | 21.86 | Pass   |
|                 |          |           |           | 20425         | 27685  | QPSK          | 25        | 0             | QPSK          | 25            | 25 | 21.72 | Pass   |
|                 |          |           |           | 20525         | 27710  | QPSK          | 1         | 0             | QPSK          | 25            | 25 | 22.79 | Pass   |
|                 |          |           |           | 20525         | 27710  | QPSK          | 1         | 12            | QPSK          | 25            | 25 | 22.85 | Pass   |
|                 |          |           |           | 20525         | 27710  | QPSK          | 1         | 24            | QPSK          | 25            | 25 | 22.7  | Pass   |
|                 |          |           |           | 20525         | 27710  | QPSK          | 12        | 0             | QPSK          | 25            | 25 | 21.92 | Pass   |
|                 |          |           |           | 20525         | 27710  | QPSK          | 12        | 6             | QPSK          | 25            | 25 | 21.87 | Pass   |
|                 |          |           |           | 20525         | 27710  | QPSK          | 12        | 13            | QPSK          | 25            | 25 | 21.95 | Pass   |
|                 |          |           |           | 20525         | 27710  | QPSK          | 25        | 0             | QPSK          | 25            | 25 | 21.79 | Pass   |
|                 |          |           |           | 20625         | 27735  | QPSK          | 1         | 0             | QPSK          | 25            | 25 | 22.67 | Pass   |
|                 |          |           |           | 20625         | 27735  | QPSK          | 1         | 12            | QPSK          | 25            | 25 | 22.79 | Pass   |
|                 |          |           |           | 20625         | 27735  | QPSK          | 1         | 24            | QPSK          | 25            | 25 | 22.7  | Pass   |
|                 |          |           |           | 20625         | 27735  | QPSK          | 12        | 0             | QPSK          | 25            | 25 | 21.95 | Pass   |
|                 |          |           |           | 20625         | 27735  | QPSK          | 12        | 6             | QPSK          | 25            | 25 | 21.84 | Pass   |
|                 |          |           |           | 20625         | 27735  | QPSK          | 12        | 13            | QPSK          | 25            | 25 | 21.69 | Pass   |
| 20625           | 27735    | QPSK      | 25        | 0             | QPSK   | 25            | 25        | 21.8          | Pass          |               |    |       |        |



| Test Parameters |          |           |           | UL Allocation |        |               |           | DL Allocation |               |                         | Value | Result |      |
|-----------------|----------|-----------|-----------|---------------|--------|---------------|-----------|---------------|---------------|-------------------------|-------|--------|------|
| PCC Band        | SCC Band | PCC       | SCC       | PCC CH        | SCC CH | CC Modulation | PCC       |               | CC Modulation | PCC & SCC RB allocation |       |        |      |
|                 |          | Bandwidth | Bandwidth |               |        |               | NRB_alloc |               |               |                         |       |        |      |
| Band5A          | Band30A  | 10M       | 10M       | 20450         | 27710  | QPSK          | 1         | 0             | QPSK          | 50                      | 50    | 22.78  | Pass |
|                 |          |           |           | 20450         | 27710  | QPSK          | 1         | 24            | QPSK          | 50                      | 50    | 22.9   | Pass |
|                 |          |           |           | 20450         | 27710  | QPSK          | 1         | 49            | QPSK          | 50                      | 50    | 22.62  | Pass |
|                 |          |           |           | 20450         | 27710  | QPSK          | 25        | 0             | QPSK          | 50                      | 50    | 21.76  | Pass |
|                 |          |           |           | 20450         | 27710  | QPSK          | 25        | 12            | QPSK          | 50                      | 50    | 21.89  | Pass |
|                 |          |           |           | 20450         | 27710  | QPSK          | 25        | 25            | QPSK          | 50                      | 50    | 21.9   | Pass |
|                 |          |           |           | 20450         | 27710  | QPSK          | 50        | 0             | QPSK          | 50                      | 50    | 21.88  | Pass |
|                 |          |           |           | 20525         | 27710  | QPSK          | 1         | 0             | QPSK          | 50                      | 50    | 22.81  | Pass |
|                 |          |           |           | 20525         | 27710  | QPSK          | 1         | 24            | QPSK          | 50                      | 50    | 22.65  | Pass |
|                 |          |           |           | 20525         | 27710  | QPSK          | 1         | 49            | QPSK          | 50                      | 50    | 22.86  | Pass |
|                 |          |           |           | 20525         | 27710  | QPSK          | 25        | 0             | QPSK          | 50                      | 50    | 21.64  | Pass |
|                 |          |           |           | 20525         | 27710  | QPSK          | 25        | 12            | QPSK          | 50                      | 50    | 22     | Pass |
|                 |          |           |           | 20525         | 27710  | QPSK          | 25        | 25            | QPSK          | 50                      | 50    | 21.57  | Pass |
|                 |          |           |           | 20525         | 27710  | QPSK          | 50        | 0             | QPSK          | 50                      | 50    | 21.78  | Pass |
|                 |          |           |           | 20600         | 27710  | QPSK          | 1         | 0             | QPSK          | 50                      | 50    | 22.63  | Pass |
|                 |          |           |           | 20600         | 27710  | QPSK          | 1         | 24            | QPSK          | 50                      | 50    | 22.97  | Pass |
|                 |          |           |           | 20600         | 27710  | QPSK          | 1         | 49            | QPSK          | 50                      | 50    | 22.77  | Pass |
|                 |          |           |           | 20600         | 27710  | QPSK          | 25        | 0             | QPSK          | 50                      | 50    | 21.71  | Pass |
|                 |          |           |           | 20600         | 27710  | QPSK          | 25        | 12            | QPSK          | 50                      | 50    | 22.02  | Pass |
|                 |          |           |           | 20600         | 27710  | QPSK          | 25        | 25            | QPSK          | 50                      | 50    | 21.97  | Pass |
| 20600           | 27710    | QPSK      | 50        | 0             | QPSK   | 50            | 50        | 21.9          | Pass          |                         |       |        |      |



2CA Band 5A+66A\_DL CA

| Test Parameters |          |           |           |        |        | UL Allocation |               |       | DL Allocation |                         |    | Value | Result |
|-----------------|----------|-----------|-----------|--------|--------|---------------|---------------|-------|---------------|-------------------------|----|-------|--------|
| PCC Band        | SCC Band | PCC       | SCC       | PCC CH | SCC CH | CC Modulation | PCC NRB_alloc |       | CC Modulation | PCC & SCC RB allocation |    |       |        |
|                 |          | Bandwidth | Bandwidth |        |        |               |               |       |               |                         |    |       |        |
| Band5A          | Band66A  | 5M        | 5M        | 20425  | 131997 | QPSK          | 1             | 0     | QPSK          | 25                      | 25 | 22.8  | Pass   |
|                 |          |           |           | 20425  | 131997 | QPSK          | 1             | 12    | QPSK          | 25                      | 25 | 22.77 | Pass   |
|                 |          |           |           | 20425  | 131997 | QPSK          | 1             | 24    | QPSK          | 25                      | 25 | 22.72 | Pass   |
|                 |          |           |           | 20425  | 131997 | QPSK          | 12            | 0     | QPSK          | 25                      | 25 | 21.74 | Pass   |
|                 |          |           |           | 20425  | 131997 | QPSK          | 12            | 6     | QPSK          | 25                      | 25 | 21.77 | Pass   |
|                 |          |           |           | 20425  | 131997 | QPSK          | 12            | 13    | QPSK          | 25                      | 25 | 21.7  | Pass   |
|                 |          |           |           | 20425  | 131997 | QPSK          | 25            | 0     | QPSK          | 25                      | 25 | 21.79 | Pass   |
|                 |          |           |           | 20525  | 132197 | QPSK          | 1             | 0     | QPSK          | 25                      | 25 | 22.78 | Pass   |
|                 |          |           |           | 20525  | 132197 | QPSK          | 1             | 12    | QPSK          | 25                      | 25 | 22.69 | Pass   |
|                 |          |           |           | 20525  | 132197 | QPSK          | 1             | 24    | QPSK          | 25                      | 25 | 22.71 | Pass   |
|                 |          |           |           | 20525  | 132197 | QPSK          | 12            | 0     | QPSK          | 25                      | 25 | 21.97 | Pass   |
|                 |          |           |           | 20525  | 132197 | QPSK          | 12            | 6     | QPSK          | 25                      | 25 | 21.77 | Pass   |
|                 |          |           |           | 20525  | 132197 | QPSK          | 12            | 13    | QPSK          | 25                      | 25 | 21.84 | Pass   |
|                 |          |           |           | 20525  | 132197 | QPSK          | 25            | 0     | QPSK          | 25                      | 25 | 21.82 | Pass   |
|                 |          |           |           | 20625  | 132397 | QPSK          | 1             | 0     | QPSK          | 25                      | 25 | 22.73 | Pass   |
|                 |          |           |           | 20625  | 132397 | QPSK          | 1             | 12    | QPSK          | 25                      | 25 | 22.74 | Pass   |
|                 |          |           |           | 20625  | 132397 | QPSK          | 1             | 24    | QPSK          | 25                      | 25 | 22.69 | Pass   |
|                 |          |           |           | 20625  | 132397 | QPSK          | 12            | 0     | QPSK          | 25                      | 25 | 21.78 | Pass   |
|                 |          |           |           | 20625  | 132397 | QPSK          | 12            | 6     | QPSK          | 25                      | 25 | 21.82 | Pass   |
|                 |          |           |           | 20625  | 132397 | QPSK          | 12            | 13    | QPSK          | 25                      | 25 | 21.81 | Pass   |
| 20625           | 132397   | QPSK      | 25        | 0      | QPSK   | 25            | 25            | 21.73 | Pass          |                         |    |       |        |



| Test Parameters |          |           |           |        |        | UL Allocation |               |       | DL Allocation |                         |    | Value | Result |
|-----------------|----------|-----------|-----------|--------|--------|---------------|---------------|-------|---------------|-------------------------|----|-------|--------|
| PCC Band        | SCC Band | PCC       | SCC       | PCC CH | SCC CH | CC Modulation | PCC NRB_alloc |       | CC Modulation | PCC & SCC RB allocation |    |       |        |
|                 |          | Bandwidth | Bandwidth |        |        |               |               |       |               |                         |    |       |        |
| Band5A          | Band66A  | 10M       | 10M       | 20450  | 132022 | QPSK          | 1             | 0     | QPSK          | 50                      | 50 | 22.77 | Pass   |
|                 |          |           |           | 20450  | 132022 | QPSK          | 1             | 24    | QPSK          | 50                      | 50 | 22.78 | Pass   |
|                 |          |           |           | 20450  | 132022 | QPSK          | 1             | 49    | QPSK          | 50                      | 50 | 22.69 | Pass   |
|                 |          |           |           | 20450  | 132022 | QPSK          | 25            | 0     | QPSK          | 50                      | 50 | 21.79 | Pass   |
|                 |          |           |           | 20450  | 132022 | QPSK          | 25            | 12    | QPSK          | 50                      | 50 | 21.85 | Pass   |
|                 |          |           |           | 20450  | 132022 | QPSK          | 25            | 25    | QPSK          | 50                      | 50 | 21.74 | Pass   |
|                 |          |           |           | 20450  | 132022 | QPSK          | 50            | 0     | QPSK          | 50                      | 50 | 21.81 | Pass   |
|                 |          |           |           | 20525  | 132197 | QPSK          | 1             | 0     | QPSK          | 50                      | 50 | 22.79 | Pass   |
|                 |          |           |           | 20525  | 132197 | QPSK          | 1             | 24    | QPSK          | 50                      | 50 | 22.75 | Pass   |
|                 |          |           |           | 20525  | 132197 | QPSK          | 1             | 49    | QPSK          | 50                      | 50 | 22.75 | Pass   |
|                 |          |           |           | 20525  | 132197 | QPSK          | 25            | 0     | QPSK          | 50                      | 50 | 21.76 | Pass   |
|                 |          |           |           | 20525  | 132197 | QPSK          | 25            | 12    | QPSK          | 50                      | 50 | 21.86 | Pass   |
|                 |          |           |           | 20525  | 132197 | QPSK          | 25            | 25    | QPSK          | 50                      | 50 | 21.68 | Pass   |
|                 |          |           |           | 20525  | 132197 | QPSK          | 50            | 0     | QPSK          | 50                      | 50 | 21.74 | Pass   |
|                 |          |           |           | 20600  | 132372 | QPSK          | 1             | 0     | QPSK          | 50                      | 50 | 22.77 | Pass   |
|                 |          |           |           | 20600  | 132372 | QPSK          | 1             | 24    | QPSK          | 50                      | 50 | 22.98 | Pass   |
|                 |          |           |           | 20600  | 132372 | QPSK          | 1             | 49    | QPSK          | 50                      | 50 | 22.8  | Pass   |
|                 |          |           |           | 20600  | 132372 | QPSK          | 25            | 0     | QPSK          | 50                      | 50 | 21.88 | Pass   |
|                 |          |           |           | 20600  | 132372 | QPSK          | 25            | 12    | QPSK          | 50                      | 50 | 21.96 | Pass   |
|                 |          |           |           | 20600  | 132372 | QPSK          | 25            | 25    | QPSK          | 50                      | 50 | 21.92 | Pass   |
| 20600           | 132372   | QPSK      | 50        | 0      | QPSK   | 50            | 50            | 21.92 | Pass          |                         |    |       |        |



| Test Parameters |          |           |           |        |        | UL Allocation |           |               | DL Allocation |           |    | Value | Result |
|-----------------|----------|-----------|-----------|--------|--------|---------------|-----------|---------------|---------------|-----------|----|-------|--------|
| PCC Band        | SCC Band | PCC       | SCC       | PCC CH | SCC CH | CC Modulation | PCC       |               | CC Modulation | PCC & SCC |    |       |        |
|                 |          | Bandwidth | Bandwidth |        |        |               | NRB_alloc | RB allocation |               |           |    |       |        |
| Band5A          | Band66A  | 5M        | 15M       | 20425  | 132047 | QPSK          | 1         | 0             | QPSK          | 25        | 75 | 22.8  | Pass   |
|                 |          |           |           | 20425  | 132047 | QPSK          | 1         | 12            | QPSK          | 25        | 75 | 22.69 | Pass   |
|                 |          |           |           | 20425  | 132047 | QPSK          | 1         | 24            | QPSK          | 25        | 75 | 22.68 | Pass   |
|                 |          |           |           | 20425  | 132047 | QPSK          | 12        | 0             | QPSK          | 25        | 75 | 21.79 | Pass   |
|                 |          |           |           | 20425  | 132047 | QPSK          | 12        | 6             | QPSK          | 25        | 75 | 21.75 | Pass   |
|                 |          |           |           | 20425  | 132047 | QPSK          | 12        | 13            | QPSK          | 25        | 75 | 21.77 | Pass   |
|                 |          |           |           | 20425  | 132047 | QPSK          | 25        | 0             | QPSK          | 25        | 75 | 21.71 | Pass   |
|                 |          |           |           | 20525  | 132197 | QPSK          | 1         | 0             | QPSK          | 25        | 75 | 22.79 | Pass   |
|                 |          |           |           | 20525  | 132197 | QPSK          | 1         | 12            | QPSK          | 25        | 75 | 22.74 | Pass   |
|                 |          |           |           | 20525  | 132197 | QPSK          | 1         | 24            | QPSK          | 25        | 75 | 22.78 | Pass   |
|                 |          |           |           | 20525  | 132197 | QPSK          | 12        | 0             | QPSK          | 25        | 75 | 21.94 | Pass   |
|                 |          |           |           | 20525  | 132197 | QPSK          | 12        | 6             | QPSK          | 25        | 75 | 21.77 | Pass   |
|                 |          |           |           | 20525  | 132197 | QPSK          | 12        | 13            | QPSK          | 25        | 75 | 21.82 | Pass   |
|                 |          |           |           | 20525  | 132197 | QPSK          | 25        | 0             | QPSK          | 25        | 75 | 21.87 | Pass   |
|                 |          |           |           | 20625  | 132347 | QPSK          | 1         | 0             | QPSK          | 25        | 75 | 22.77 | Pass   |
|                 |          |           |           | 20625  | 132347 | QPSK          | 1         | 12            | QPSK          | 25        | 75 | 22.74 | Pass   |
|                 |          |           |           | 20625  | 132347 | QPSK          | 1         | 24            | QPSK          | 25        | 75 | 22.73 | Pass   |
|                 |          |           |           | 20625  | 132347 | QPSK          | 12        | 0             | QPSK          | 25        | 75 | 21.83 | Pass   |
|                 |          |           |           | 20625  | 132347 | QPSK          | 12        | 6             | QPSK          | 25        | 75 | 21.89 | Pass   |
|                 |          |           |           | 20625  | 132347 | QPSK          | 12        | 13            | QPSK          | 25        | 75 | 21.79 | Pass   |
| 20625           | 132347   | QPSK      | 25        | 0      | QPSK   | 25            | 75        | 21.75         | Pass          |           |    |       |        |



| Test Parameters |          |           |           |        |        | UL Allocation |               |       | DL Allocation |                         |     | Value | Result |
|-----------------|----------|-----------|-----------|--------|--------|---------------|---------------|-------|---------------|-------------------------|-----|-------|--------|
| PCC Band        | SCC Band | PCC       | SCC       | PCC CH | SCC CH | CC Modulation | PCC NRB_alloc |       | CC Modulation | PCC & SCC RB allocation |     |       |        |
|                 |          | Bandwidth | Bandwidth |        |        |               |               |       |               |                         |     |       |        |
| Band5A          | Band66A  | 5M        | 20M       | 20425  | 132072 | QPSK          | 1             | 0     | QPSK          | 25                      | 100 | 22.8  | Pass   |
|                 |          |           |           | 20425  | 132072 | QPSK          | 1             | 12    | QPSK          | 25                      | 100 | 22.74 | Pass   |
|                 |          |           |           | 20425  | 132072 | QPSK          | 1             | 24    | QPSK          | 25                      | 100 | 22.74 | Pass   |
|                 |          |           |           | 20425  | 132072 | QPSK          | 12            | 0     | QPSK          | 25                      | 100 | 21.76 | Pass   |
|                 |          |           |           | 20425  | 132072 | QPSK          | 12            | 6     | QPSK          | 25                      | 100 | 21.74 | Pass   |
|                 |          |           |           | 20425  | 132072 | QPSK          | 12            | 13    | QPSK          | 25                      | 100 | 21.69 | Pass   |
|                 |          |           |           | 20425  | 132072 | QPSK          | 25            | 0     | QPSK          | 25                      | 100 | 21.73 | Pass   |
|                 |          |           |           | 20525  | 132197 | QPSK          | 1             | 0     | QPSK          | 25                      | 100 | 22.83 | Pass   |
|                 |          |           |           | 20525  | 132197 | QPSK          | 1             | 12    | QPSK          | 25                      | 100 | 22.72 | Pass   |
|                 |          |           |           | 20525  | 132197 | QPSK          | 1             | 24    | QPSK          | 25                      | 100 | 22.78 | Pass   |
|                 |          |           |           | 20525  | 132197 | QPSK          | 12            | 0     | QPSK          | 25                      | 100 | 21.88 | Pass   |
|                 |          |           |           | 20525  | 132197 | QPSK          | 12            | 6     | QPSK          | 25                      | 100 | 21.79 | Pass   |
|                 |          |           |           | 20525  | 132197 | QPSK          | 12            | 13    | QPSK          | 25                      | 100 | 21.83 | Pass   |
|                 |          |           |           | 20525  | 132197 | QPSK          | 25            | 0     | QPSK          | 25                      | 100 | 21.85 | Pass   |
|                 |          |           |           | 20625  | 132322 | QPSK          | 1             | 0     | QPSK          | 25                      | 100 | 22.73 | Pass   |
|                 |          |           |           | 20625  | 132322 | QPSK          | 1             | 12    | QPSK          | 25                      | 100 | 22.75 | Pass   |
|                 |          |           |           | 20625  | 132322 | QPSK          | 1             | 24    | QPSK          | 25                      | 100 | 22.73 | Pass   |
|                 |          |           |           | 20625  | 132322 | QPSK          | 12            | 0     | QPSK          | 25                      | 100 | 21.83 | Pass   |
|                 |          |           |           | 20625  | 132322 | QPSK          | 12            | 6     | QPSK          | 25                      | 100 | 21.83 | Pass   |
|                 |          |           |           | 20625  | 132322 | QPSK          | 12            | 13    | QPSK          | 25                      | 100 | 21.87 | Pass   |
| 20625           | 132322   | QPSK      | 25        | 0      | QPSK   | 25            | 100           | 21.76 | Pass          |                         |     |       |        |





| Test Parameters |          |           |           |        |        | UL Allocation |           |               | DL Allocation |           |    | Value | Result |
|-----------------|----------|-----------|-----------|--------|--------|---------------|-----------|---------------|---------------|-----------|----|-------|--------|
| PCC Band        | SCC Band | PCC       | SCC       | PCC CH | SCC CH | CC Modulation | PCC       |               | CC Modulation | PCC & SCC |    |       |        |
|                 |          | Bandwidth | Bandwidth |        |        |               | NRB_alloc | RB allocation |               |           |    |       |        |
| Band5A          | Band66A  | 10M       | 15M       | 20450  | 132047 | QPSK          | 1         | 0             | QPSK          | 50        | 75 | 22.74 | Pass   |
|                 |          |           |           | 20450  | 132047 | QPSK          | 1         | 24            | QPSK          | 50        | 75 | 22.74 | Pass   |
|                 |          |           |           | 20450  | 132047 | QPSK          | 1         | 49            | QPSK          | 50        | 75 | 22.63 | Pass   |
|                 |          |           |           | 20450  | 132047 | QPSK          | 25        | 0             | QPSK          | 50        | 75 | 21.83 | Pass   |
|                 |          |           |           | 20450  | 132047 | QPSK          | 25        | 12            | QPSK          | 50        | 75 | 21.84 | Pass   |
|                 |          |           |           | 20450  | 132047 | QPSK          | 25        | 25            | QPSK          | 50        | 75 | 21.78 | Pass   |
|                 |          |           |           | 20450  | 132047 | QPSK          | 50        | 0             | QPSK          | 50        | 75 | 21.77 | Pass   |
|                 |          |           |           | 20525  | 132197 | QPSK          | 1         | 0             | QPSK          | 50        | 75 | 22.82 | Pass   |
|                 |          |           |           | 20525  | 132197 | QPSK          | 1         | 24            | QPSK          | 50        | 75 | 22.84 | Pass   |
|                 |          |           |           | 20525  | 132197 | QPSK          | 1         | 49            | QPSK          | 50        | 75 | 22.81 | Pass   |
|                 |          |           |           | 20525  | 132197 | QPSK          | 25        | 0             | QPSK          | 50        | 75 | 21.72 | Pass   |
|                 |          |           |           | 20525  | 132197 | QPSK          | 25        | 12            | QPSK          | 50        | 75 | 21.88 | Pass   |
|                 |          |           |           | 20525  | 132197 | QPSK          | 25        | 25            | QPSK          | 50        | 75 | 21.71 | Pass   |
|                 |          |           |           | 20525  | 132197 | QPSK          | 50        | 0             | QPSK          | 50        | 75 | 21.8  | Pass   |
|                 |          |           |           | 20600  | 132347 | QPSK          | 1         | 0             | QPSK          | 50        | 75 | 22.7  | Pass   |
|                 |          |           |           | 20600  | 132347 | QPSK          | 1         | 24            | QPSK          | 50        | 75 | 22.99 | Pass   |
|                 |          |           |           | 20600  | 132347 | QPSK          | 1         | 49            | QPSK          | 50        | 75 | 22.74 | Pass   |
|                 |          |           |           | 20600  | 132347 | QPSK          | 25        | 0             | QPSK          | 50        | 75 | 21.9  | Pass   |
|                 |          |           |           | 20600  | 132347 | QPSK          | 25        | 12            | QPSK          | 50        | 75 | 22    | Pass   |
|                 |          |           |           | 20600  | 132347 | QPSK          | 25        | 25            | QPSK          | 50        | 75 | 21.98 | Pass   |
| 20600           | 132347   | QPSK      | 50        | 0      | QPSK   | 50            | 75        | 21.95         | Pass          |           |    |       |        |



| Test Parameters |          |           |           |        |        | UL Allocation |               |       | DL Allocation |                         |     | Value | Result |
|-----------------|----------|-----------|-----------|--------|--------|---------------|---------------|-------|---------------|-------------------------|-----|-------|--------|
| PCC Band        | SCC Band | PCC       | SCC       | PCC CH | SCC CH | CC Modulation | PCC NRB_alloc |       | CC Modulation | PCC & SCC RB allocation |     |       |        |
|                 |          | Bandwidth | Bandwidth |        |        |               |               |       |               |                         |     |       |        |
| Band5A          | Band66A  | 10M       | 20M       | 20450  | 132072 | QPSK          | 1             | 0     | QPSK          | 50                      | 100 | 22.68 | Pass   |
|                 |          |           |           | 20450  | 132072 | QPSK          | 1             | 24    | QPSK          | 50                      | 100 | 22.78 | Pass   |
|                 |          |           |           | 20450  | 132072 | QPSK          | 1             | 49    | QPSK          | 50                      | 100 | 22.7  | Pass   |
|                 |          |           |           | 20450  | 132072 | QPSK          | 25            | 0     | QPSK          | 50                      | 100 | 21.79 | Pass   |
|                 |          |           |           | 20450  | 132072 | QPSK          | 25            | 12    | QPSK          | 50                      | 100 | 21.82 | Pass   |
|                 |          |           |           | 20450  | 132072 | QPSK          | 25            | 25    | QPSK          | 50                      | 100 | 21.74 | Pass   |
|                 |          |           |           | 20450  | 132072 | QPSK          | 50            | 0     | QPSK          | 50                      | 100 | 21.83 | Pass   |
|                 |          |           |           | 20525  | 132197 | QPSK          | 1             | 0     | QPSK          | 50                      | 100 | 22.79 | Pass   |
|                 |          |           |           | 20525  | 132197 | QPSK          | 1             | 24    | QPSK          | 50                      | 100 | 22.74 | Pass   |
|                 |          |           |           | 20525  | 132197 | QPSK          | 1             | 49    | QPSK          | 50                      | 100 | 22.76 | Pass   |
|                 |          |           |           | 20525  | 132197 | QPSK          | 25            | 0     | QPSK          | 50                      | 100 | 21.69 | Pass   |
|                 |          |           |           | 20525  | 132197 | QPSK          | 25            | 12    | QPSK          | 50                      | 100 | 21.87 | Pass   |
|                 |          |           |           | 20525  | 132197 | QPSK          | 25            | 25    | QPSK          | 50                      | 100 | 21.67 | Pass   |
|                 |          |           |           | 20525  | 132197 | QPSK          | 50            | 0     | QPSK          | 50                      | 100 | 21.82 | Pass   |
|                 |          |           |           | 20600  | 132322 | QPSK          | 1             | 0     | QPSK          | 50                      | 100 | 22.72 | Pass   |
|                 |          |           |           | 20600  | 132322 | QPSK          | 1             | 24    | QPSK          | 50                      | 100 | 22.95 | Pass   |
|                 |          |           |           | 20600  | 132322 | QPSK          | 1             | 49    | QPSK          | 50                      | 100 | 22.75 | Pass   |
|                 |          |           |           | 20600  | 132322 | QPSK          | 25            | 0     | QPSK          | 50                      | 100 | 21.92 | Pass   |
|                 |          |           |           | 20600  | 132322 | QPSK          | 25            | 12    | QPSK          | 50                      | 100 | 22.03 | Pass   |
|                 |          |           |           | 20600  | 132322 | QPSK          | 25            | 25    | QPSK          | 50                      | 100 | 21.94 | Pass   |
| 20600           | 132322   | QPSK      | 50        | 0      | QPSK   | 50            | 100           | 21.94 | Pass          |                         |     |       |        |



2CA Band 12A+30A\_DL CA

| Test Parameters |          |           |           | UL Allocation |        |               |           | DL Allocation |               |           |    | Value | Result |
|-----------------|----------|-----------|-----------|---------------|--------|---------------|-----------|---------------|---------------|-----------|----|-------|--------|
| PCC Band        | SCC Band | PCC       | SCC       | PCC CH        | SCC CH | CC Modulation | PCC       |               | CC Modulation | PCC & SCC |    |       |        |
|                 |          | Bandwidth | Bandwidth |               |        |               | NRB_alloc | RB allocation |               |           |    |       |        |
| Band12A         | Band30A  | 5M        | 5M        | 23035         | 27685  | QPSK          | 1         | 0             | QPSK          | 25        | 25 | 22.72 | Pass   |
|                 |          |           |           | 23035         | 27685  | QPSK          | 1         | 12            | QPSK          | 25        | 25 | 22.67 | Pass   |
|                 |          |           |           | 23035         | 27685  | QPSK          | 1         | 24            | QPSK          | 25        | 25 | 22.77 | Pass   |
|                 |          |           |           | 23035         | 27685  | QPSK          | 12        | 0             | QPSK          | 25        | 25 | 21.8  | Pass   |
|                 |          |           |           | 23035         | 27685  | QPSK          | 12        | 6             | QPSK          | 25        | 25 | 21.85 | Pass   |
|                 |          |           |           | 23035         | 27685  | QPSK          | 12        | 13            | QPSK          | 25        | 25 | 21.74 | Pass   |
|                 |          |           |           | 23035         | 27685  | QPSK          | 25        | 0             | QPSK          | 25        | 25 | 21.79 | Pass   |
|                 |          |           |           | 23095         | 27710  | QPSK          | 1         | 0             | QPSK          | 25        | 25 | 22.82 | Pass   |
|                 |          |           |           | 23095         | 27710  | QPSK          | 1         | 12            | QPSK          | 25        | 25 | 22.84 | Pass   |
|                 |          |           |           | 23095         | 27710  | QPSK          | 1         | 24            | QPSK          | 25        | 25 | 22.86 | Pass   |
|                 |          |           |           | 23095         | 27710  | QPSK          | 12        | 0             | QPSK          | 25        | 25 | 21.85 | Pass   |
|                 |          |           |           | 23095         | 27710  | QPSK          | 12        | 6             | QPSK          | 25        | 25 | 21.92 | Pass   |
|                 |          |           |           | 23095         | 27710  | QPSK          | 12        | 13            | QPSK          | 25        | 25 | 21.86 | Pass   |
|                 |          |           |           | 23095         | 27710  | QPSK          | 25        | 0             | QPSK          | 25        | 25 | 21.95 | Pass   |
|                 |          |           |           | 23155         | 27735  | QPSK          | 1         | 0             | QPSK          | 25        | 25 | 22.84 | Pass   |
|                 |          |           |           | 23155         | 27735  | QPSK          | 1         | 12            | QPSK          | 25        | 25 | 22.92 | Pass   |
|                 |          |           |           | 23155         | 27735  | QPSK          | 1         | 24            | QPSK          | 25        | 25 | 22.99 | Pass   |
|                 |          |           |           | 23155         | 27735  | QPSK          | 12        | 0             | QPSK          | 25        | 25 | 22.14 | Pass   |
|                 |          |           |           | 23155         | 27735  | QPSK          | 12        | 6             | QPSK          | 25        | 25 | 22.02 | Pass   |
|                 |          |           |           | 23155         | 27735  | QPSK          | 12        | 13            | QPSK          | 25        | 25 | 22.13 | Pass   |
| 23155           | 27735    | QPSK      | 25        | 0             | QPSK   | 25            | 25        | 22.08         | Pass          |           |    |       |        |



| Test Parameters |          |           |           |        |        | UL Allocation |           |           | DL Allocation |                         |    | Value | Result |
|-----------------|----------|-----------|-----------|--------|--------|---------------|-----------|-----------|---------------|-------------------------|----|-------|--------|
| PCC Band        | SCC Band | PCC       | SCC       | PCC CH | SCC CH | CC Modulation | PCC       |           | CC Modulation | PCC & SCC RB allocation |    |       |        |
|                 |          | Bandwidth | Bandwidth |        |        |               | NRB_alloc | NRB_alloc |               |                         |    |       |        |
| Band12A         | Band30A  | 10M       | 10M       | 23060  | 27710  | QPSK          | 1         | 0         | QPSK          | 50                      | 50 | 22.75 | Pass   |
|                 |          |           |           | 23060  | 27710  | QPSK          | 1         | 24        | QPSK          | 50                      | 50 | 22.91 | Pass   |
|                 |          |           |           | 23060  | 27710  | QPSK          | 1         | 49        | QPSK          | 50                      | 50 | 22.83 | Pass   |
|                 |          |           |           | 23060  | 27710  | QPSK          | 25        | 0         | QPSK          | 50                      | 50 | 22.87 | Pass   |
|                 |          |           |           | 23060  | 27710  | QPSK          | 25        | 12        | QPSK          | 50                      | 50 | 22.83 | Pass   |
|                 |          |           |           | 23060  | 27710  | QPSK          | 25        | 25        | QPSK          | 50                      | 50 | 22.94 | Pass   |
|                 |          |           |           | 23060  | 27710  | QPSK          | 50        | 0         | QPSK          | 50                      | 50 | 21.91 | Pass   |
|                 |          |           |           | 23095  | 27710  | QPSK          | 1         | 0         | QPSK          | 50                      | 50 | 22.75 | Pass   |
|                 |          |           |           | 23095  | 27710  | QPSK          | 1         | 24        | QPSK          | 50                      | 50 | 22.85 | Pass   |
|                 |          |           |           | 23095  | 27710  | QPSK          | 1         | 49        | QPSK          | 50                      | 50 | 22.78 | Pass   |
|                 |          |           |           | 23095  | 27710  | QPSK          | 25        | 0         | QPSK          | 50                      | 50 | 22.92 | Pass   |
|                 |          |           |           | 23095  | 27710  | QPSK          | 25        | 12        | QPSK          | 50                      | 50 | 22.93 | Pass   |
|                 |          |           |           | 23095  | 27710  | QPSK          | 25        | 25        | QPSK          | 50                      | 50 | 22.96 | Pass   |
|                 |          |           |           | 23095  | 27710  | QPSK          | 50        | 0         | QPSK          | 50                      | 50 | 21.79 | Pass   |
|                 |          |           |           | 23130  | 27710  | QPSK          | 1         | 0         | QPSK          | 50                      | 50 | 22.93 | Pass   |
|                 |          |           |           | 23130  | 27710  | QPSK          | 1         | 24        | QPSK          | 50                      | 50 | 22.97 | Pass   |
|                 |          |           |           | 23130  | 27710  | QPSK          | 1         | 49        | QPSK          | 50                      | 50 | 23.07 | Pass   |
|                 |          |           |           | 23130  | 27710  | QPSK          | 25        | 0         | QPSK          | 50                      | 50 | 22.88 | Pass   |
|                 |          |           |           | 23130  | 27710  | QPSK          | 25        | 12        | QPSK          | 50                      | 50 | 22.94 | Pass   |
|                 |          |           |           | 23130  | 27710  | QPSK          | 25        | 25        | QPSK          | 50                      | 50 | 22.96 | Pass   |
| 23130           | 27710    | QPSK      | 50        | 0      | QPSK   | 50            | 50        | 21.9      | Pass          |                         |    |       |        |



2CA Band 12A+66A\_DL CA

| Test Parameters |          |           |           |        |        | UL Allocation |               |      | DL Allocation |                         |    | Value | Result |
|-----------------|----------|-----------|-----------|--------|--------|---------------|---------------|------|---------------|-------------------------|----|-------|--------|
| PCC Band        | SCC Band | PCC       | SCC       | PCC CH | SCC CH | CC Modulation | PCC NRB_alloc |      | CC Modulation | PCC & SCC RB allocation |    |       |        |
|                 |          | Bandwidth | Bandwidth |        |        |               |               |      |               |                         |    |       |        |
| Band12A         | Band66A  | 5M        | 5M        | 23035  | 131997 | QPSK          | 1             | 0    | QPSK          | 25                      | 25 | 22.71 | Pass   |
|                 |          |           |           | 23035  | 131997 | QPSK          | 1             | 12   | QPSK          | 25                      | 25 | 22.67 | Pass   |
|                 |          |           |           | 23035  | 131997 | QPSK          | 1             | 24   | QPSK          | 25                      | 25 | 22.76 | Pass   |
|                 |          |           |           | 23035  | 131997 | QPSK          | 12            | 0    | QPSK          | 25                      | 25 | 21.86 | Pass   |
|                 |          |           |           | 23035  | 131997 | QPSK          | 12            | 6    | QPSK          | 25                      | 25 | 21.86 | Pass   |
|                 |          |           |           | 23035  | 131997 | QPSK          | 12            | 13   | QPSK          | 25                      | 25 | 21.73 | Pass   |
|                 |          |           |           | 23035  | 131997 | QPSK          | 25            | 0    | QPSK          | 25                      | 25 | 21.76 | Pass   |
|                 |          |           |           | 23095  | 132197 | QPSK          | 1             | 0    | QPSK          | 25                      | 25 | 22.85 | Pass   |
|                 |          |           |           | 23095  | 132197 | QPSK          | 1             | 12   | QPSK          | 25                      | 25 | 22.85 | Pass   |
|                 |          |           |           | 23095  | 132197 | QPSK          | 1             | 24   | QPSK          | 25                      | 25 | 22.8  | Pass   |
|                 |          |           |           | 23095  | 132197 | QPSK          | 12            | 0    | QPSK          | 25                      | 25 | 21.81 | Pass   |
|                 |          |           |           | 23095  | 132197 | QPSK          | 12            | 6    | QPSK          | 25                      | 25 | 21.93 | Pass   |
|                 |          |           |           | 23095  | 132197 | QPSK          | 12            | 13   | QPSK          | 25                      | 25 | 21.83 | Pass   |
|                 |          |           |           | 23095  | 132197 | QPSK          | 25            | 0    | QPSK          | 25                      | 25 | 21.95 | Pass   |
|                 |          |           |           | 23155  | 132397 | QPSK          | 1             | 0    | QPSK          | 25                      | 25 | 22.8  | Pass   |
|                 |          |           |           | 23155  | 132397 | QPSK          | 1             | 12   | QPSK          | 25                      | 25 | 22.9  | Pass   |
|                 |          |           |           | 23155  | 132397 | QPSK          | 1             | 24   | QPSK          | 25                      | 25 | 22.97 | Pass   |
|                 |          |           |           | 23155  | 132397 | QPSK          | 12            | 0    | QPSK          | 25                      | 25 | 22.17 | Pass   |
|                 |          |           |           | 23155  | 132397 | QPSK          | 12            | 6    | QPSK          | 25                      | 25 | 22.06 | Pass   |
|                 |          |           |           | 23155  | 132397 | QPSK          | 12            | 13   | QPSK          | 25                      | 25 | 22.15 | Pass   |
| 23155           | 132397   | QPSK      | 25        | 0      | QPSK   | 25            | 25            | 22.1 | Pass          |                         |    |       |        |



| Test Parameters |          |           |           |        |        | UL Allocation |               |       | DL Allocation |                         |    | Value | Result |
|-----------------|----------|-----------|-----------|--------|--------|---------------|---------------|-------|---------------|-------------------------|----|-------|--------|
| PCC Band        | SCC Band | PCC       | SCC       | PCC CH | SCC CH | CC Modulation | PCC NRB_alloc |       | CC Modulation | PCC & SCC RB allocation |    |       |        |
|                 |          | Bandwidth | Bandwidth |        |        |               |               |       |               |                         |    |       |        |
| Band12A         | Band66A  | 10M       | 10M       | 23060  | 132022 | QPSK          | 1             | 0     | QPSK          | 50                      | 50 | 22.78 | Pass   |
|                 |          |           |           | 23060  | 132022 | QPSK          | 1             | 24    | QPSK          | 50                      | 50 | 22.92 | Pass   |
|                 |          |           |           | 23060  | 132022 | QPSK          | 1             | 49    | QPSK          | 50                      | 50 | 22.83 | Pass   |
|                 |          |           |           | 23060  | 132022 | QPSK          | 25            | 0     | QPSK          | 50                      | 50 | 22.9  | Pass   |
|                 |          |           |           | 23060  | 132022 | QPSK          | 25            | 12    | QPSK          | 50                      | 50 | 22.84 | Pass   |
|                 |          |           |           | 23060  | 132022 | QPSK          | 25            | 25    | QPSK          | 50                      | 50 | 22.94 | Pass   |
|                 |          |           |           | 23060  | 132022 | QPSK          | 50            | 0     | QPSK          | 50                      | 50 | 21.9  | Pass   |
|                 |          |           |           | 23095  | 132197 | QPSK          | 1             | 0     | QPSK          | 50                      | 50 | 22.72 | Pass   |
|                 |          |           |           | 23095  | 132197 | QPSK          | 1             | 24    | QPSK          | 50                      | 50 | 22.91 | Pass   |
|                 |          |           |           | 23095  | 132197 | QPSK          | 1             | 49    | QPSK          | 50                      | 50 | 22.75 | Pass   |
|                 |          |           |           | 23095  | 132197 | QPSK          | 25            | 0     | QPSK          | 50                      | 50 | 22.84 | Pass   |
|                 |          |           |           | 23095  | 132197 | QPSK          | 25            | 12    | QPSK          | 50                      | 50 | 22.84 | Pass   |
|                 |          |           |           | 23095  | 132197 | QPSK          | 25            | 25    | QPSK          | 50                      | 50 | 22.95 | Pass   |
|                 |          |           |           | 23095  | 132197 | QPSK          | 50            | 0     | QPSK          | 50                      | 50 | 21.81 | Pass   |
|                 |          |           |           | 23130  | 132372 | QPSK          | 1             | 0     | QPSK          | 50                      | 50 | 22.88 | Pass   |
|                 |          |           |           | 23130  | 132372 | QPSK          | 1             | 24    | QPSK          | 50                      | 50 | 22.95 | Pass   |
|                 |          |           |           | 23130  | 132372 | QPSK          | 1             | 49    | QPSK          | 50                      | 50 | 23.06 | Pass   |
|                 |          |           |           | 23130  | 132372 | QPSK          | 25            | 0     | QPSK          | 50                      | 50 | 22.89 | Pass   |
|                 |          |           |           | 23130  | 132372 | QPSK          | 25            | 12    | QPSK          | 50                      | 50 | 22.9  | Pass   |
|                 |          |           |           | 23130  | 132372 | QPSK          | 25            | 25    | QPSK          | 50                      | 50 | 22.91 | Pass   |
| 23130           | 132372   | QPSK      | 50        | 0      | QPSK   | 50            | 50            | 21.93 | Pass          |                         |    |       |        |



| Test Parameters |          |           |           |        |        | UL Allocation |               |       | DL Allocation |                         |    | Value | Result |
|-----------------|----------|-----------|-----------|--------|--------|---------------|---------------|-------|---------------|-------------------------|----|-------|--------|
| PCC Band        | SCC Band | PCC       | SCC       | PCC CH | SCC CH | CC Modulation | PCC NRB_alloc |       | CC Modulation | PCC & SCC RB allocation |    |       |        |
|                 |          | Bandwidth | Bandwidth |        |        |               |               |       |               |                         |    |       |        |
| Band12A         | Band66A  | 5M        | 15M       | 23035  | 132047 | QPSK          | 1             | 0     | QPSK          | 25                      | 75 | 22.72 | Pass   |
|                 |          |           |           | 23035  | 132047 | QPSK          | 1             | 12    | QPSK          | 25                      | 75 | 22.64 | Pass   |
|                 |          |           |           | 23035  | 132047 | QPSK          | 1             | 24    | QPSK          | 25                      | 75 | 22.71 | Pass   |
|                 |          |           |           | 23035  | 132047 | QPSK          | 12            | 0     | QPSK          | 25                      | 75 | 21.82 | Pass   |
|                 |          |           |           | 23035  | 132047 | QPSK          | 12            | 6     | QPSK          | 25                      | 75 | 21.8  | Pass   |
|                 |          |           |           | 23035  | 132047 | QPSK          | 12            | 13    | QPSK          | 25                      | 75 | 21.75 | Pass   |
|                 |          |           |           | 23035  | 132047 | QPSK          | 25            | 0     | QPSK          | 25                      | 75 | 21.77 | Pass   |
|                 |          |           |           | 23095  | 132197 | QPSK          | 1             | 0     | QPSK          | 25                      | 75 | 22.77 | Pass   |
|                 |          |           |           | 23095  | 132197 | QPSK          | 1             | 12    | QPSK          | 25                      | 75 | 22.77 | Pass   |
|                 |          |           |           | 23095  | 132197 | QPSK          | 1             | 24    | QPSK          | 25                      | 75 | 22.79 | Pass   |
|                 |          |           |           | 23095  | 132197 | QPSK          | 12            | 0     | QPSK          | 25                      | 75 | 21.83 | Pass   |
|                 |          |           |           | 23095  | 132197 | QPSK          | 12            | 6     | QPSK          | 25                      | 75 | 21.91 | Pass   |
|                 |          |           |           | 23095  | 132197 | QPSK          | 12            | 13    | QPSK          | 25                      | 75 | 21.9  | Pass   |
|                 |          |           |           | 23095  | 132197 | QPSK          | 25            | 0     | QPSK          | 25                      | 75 | 21.93 | Pass   |
|                 |          |           |           | 23155  | 132347 | QPSK          | 1             | 0     | QPSK          | 25                      | 75 | 22.79 | Pass   |
|                 |          |           |           | 23155  | 132347 | QPSK          | 1             | 12    | QPSK          | 25                      | 75 | 22.9  | Pass   |
|                 |          |           |           | 23155  | 132347 | QPSK          | 1             | 24    | QPSK          | 25                      | 75 | 22.93 | Pass   |
|                 |          |           |           | 23155  | 132347 | QPSK          | 12            | 0     | QPSK          | 25                      | 75 | 22.13 | Pass   |
|                 |          |           |           | 23155  | 132347 | QPSK          | 12            | 6     | QPSK          | 25                      | 75 | 22.08 | Pass   |
|                 |          |           |           | 23155  | 132347 | QPSK          | 12            | 13    | QPSK          | 25                      | 75 | 22.18 | Pass   |
| 23155           | 132347   | QPSK      | 25        | 0      | QPSK   | 25            | 75            | 22.03 | Pass          |                         |    |       |        |



| Test Parameters |          |           |           |        |        | UL Allocation |               |       | DL Allocation |                         |     | Value | Result |
|-----------------|----------|-----------|-----------|--------|--------|---------------|---------------|-------|---------------|-------------------------|-----|-------|--------|
| PCC Band        | SCC Band | PCC       | SCC       | PCC CH | SCC CH | CC Modulation | PCC NRB_alloc |       | CC Modulation | PCC & SCC RB allocation |     |       |        |
|                 |          | Bandwidth | Bandwidth |        |        |               |               |       |               |                         |     |       |        |
| Band12A         | Band66A  | 5M        | 20M       | 23035  | 132072 | QPSK          | 1             | 0     | QPSK          | 25                      | 100 | 22.73 | Pass   |
|                 |          |           |           | 23035  | 132072 | QPSK          | 1             | 12    | QPSK          | 25                      | 100 | 22.59 | Pass   |
|                 |          |           |           | 23035  | 132072 | QPSK          | 1             | 24    | QPSK          | 25                      | 100 | 22.72 | Pass   |
|                 |          |           |           | 23035  | 132072 | QPSK          | 12            | 0     | QPSK          | 25                      | 100 | 21.84 | Pass   |
|                 |          |           |           | 23035  | 132072 | QPSK          | 12            | 6     | QPSK          | 25                      | 100 | 21.82 | Pass   |
|                 |          |           |           | 23035  | 132072 | QPSK          | 12            | 13    | QPSK          | 25                      | 100 | 21.81 | Pass   |
|                 |          |           |           | 23035  | 132072 | QPSK          | 25            | 0     | QPSK          | 25                      | 100 | 21.7  | Pass   |
|                 |          |           |           | 23095  | 132197 | QPSK          | 1             | 0     | QPSK          | 25                      | 100 | 22.83 | Pass   |
|                 |          |           |           | 23095  | 132197 | QPSK          | 1             | 12    | QPSK          | 25                      | 100 | 22.82 | Pass   |
|                 |          |           |           | 23095  | 132197 | QPSK          | 1             | 24    | QPSK          | 25                      | 100 | 22.79 | Pass   |
|                 |          |           |           | 23095  | 132197 | QPSK          | 12            | 0     | QPSK          | 25                      | 100 | 21.88 | Pass   |
|                 |          |           |           | 23095  | 132197 | QPSK          | 12            | 6     | QPSK          | 25                      | 100 | 21.95 | Pass   |
|                 |          |           |           | 23095  | 132197 | QPSK          | 12            | 13    | QPSK          | 25                      | 100 | 21.85 | Pass   |
|                 |          |           |           | 23095  | 132197 | QPSK          | 25            | 0     | QPSK          | 25                      | 100 | 21.96 | Pass   |
|                 |          |           |           | 23155  | 132322 | QPSK          | 1             | 0     | QPSK          | 25                      | 100 | 22.85 | Pass   |
|                 |          |           |           | 23155  | 132322 | QPSK          | 1             | 12    | QPSK          | 25                      | 100 | 22.94 | Pass   |
|                 |          |           |           | 23155  | 132322 | QPSK          | 1             | 24    | QPSK          | 25                      | 100 | 22.94 | Pass   |
|                 |          |           |           | 23155  | 132322 | QPSK          | 12            | 0     | QPSK          | 25                      | 100 | 22.16 | Pass   |
|                 |          |           |           | 23155  | 132322 | QPSK          | 12            | 6     | QPSK          | 25                      | 100 | 22.1  | Pass   |
|                 |          |           |           | 23155  | 132322 | QPSK          | 12            | 13    | QPSK          | 25                      | 100 | 22.16 | Pass   |
| 23155           | 132322   | QPSK      | 25        | 0      | QPSK   | 25            | 100           | 22.08 | Pass          |                         |     |       |        |





| Test Parameters |          |           |           |        |        | UL Allocation |               |       | DL Allocation |                         |    | Value | Result |
|-----------------|----------|-----------|-----------|--------|--------|---------------|---------------|-------|---------------|-------------------------|----|-------|--------|
| PCC Band        | SCC Band | PCC       | SCC       | PCC CH | SCC CH | CC Modulation | PCC NRB_alloc |       | CC Modulation | PCC & SCC RB allocation |    |       |        |
|                 |          | Bandwidth | Bandwidth |        |        |               |               |       |               |                         |    |       |        |
| Band12A         | Band66A  | 10M       | 15M       | 23060  | 132047 | QPSK          | 1             | 0     | QPSK          | 50                      | 75 | 22.76 | Pass   |
|                 |          |           |           | 23060  | 132047 | QPSK          | 1             | 24    | QPSK          | 50                      | 75 | 22.98 | Pass   |
|                 |          |           |           | 23060  | 132047 | QPSK          | 1             | 49    | QPSK          | 50                      | 75 | 22.82 | Pass   |
|                 |          |           |           | 23060  | 132047 | QPSK          | 25            | 0     | QPSK          | 50                      | 75 | 22.84 | Pass   |
|                 |          |           |           | 23060  | 132047 | QPSK          | 25            | 12    | QPSK          | 50                      | 75 | 22.86 | Pass   |
|                 |          |           |           | 23060  | 132047 | QPSK          | 25            | 25    | QPSK          | 50                      | 75 | 22.89 | Pass   |
|                 |          |           |           | 23060  | 132047 | QPSK          | 50            | 0     | QPSK          | 50                      | 75 | 21.89 | Pass   |
|                 |          |           |           | 23095  | 132197 | QPSK          | 1             | 0     | QPSK          | 50                      | 75 | 22.79 | Pass   |
|                 |          |           |           | 23095  | 132197 | QPSK          | 1             | 24    | QPSK          | 50                      | 75 | 22.9  | Pass   |
|                 |          |           |           | 23095  | 132197 | QPSK          | 1             | 49    | QPSK          | 50                      | 75 | 22.77 | Pass   |
|                 |          |           |           | 23095  | 132197 | QPSK          | 25            | 0     | QPSK          | 50                      | 75 | 22.88 | Pass   |
|                 |          |           |           | 23095  | 132197 | QPSK          | 25            | 12    | QPSK          | 50                      | 75 | 22.92 | Pass   |
|                 |          |           |           | 23095  | 132197 | QPSK          | 25            | 25    | QPSK          | 50                      | 75 | 22.91 | Pass   |
|                 |          |           |           | 23095  | 132197 | QPSK          | 50            | 0     | QPSK          | 50                      | 75 | 21.78 | Pass   |
|                 |          |           |           | 23130  | 132347 | QPSK          | 1             | 0     | QPSK          | 50                      | 75 | 22.9  | Pass   |
|                 |          |           |           | 23130  | 132347 | QPSK          | 1             | 24    | QPSK          | 50                      | 75 | 22.95 | Pass   |
|                 |          |           |           | 23130  | 132347 | QPSK          | 1             | 49    | QPSK          | 50                      | 75 | 23.06 | Pass   |
|                 |          |           |           | 23130  | 132347 | QPSK          | 25            | 0     | QPSK          | 50                      | 75 | 22.93 | Pass   |
|                 |          |           |           | 23130  | 132347 | QPSK          | 25            | 12    | QPSK          | 50                      | 75 | 22.94 | Pass   |
|                 |          |           |           | 23130  | 132347 | QPSK          | 25            | 25    | QPSK          | 50                      | 75 | 22.92 | Pass   |
| 23130           | 132347   | QPSK      | 50        | 0      | QPSK   | 50            | 75            | 21.96 | Pass          |                         |    |       |        |



| Test Parameters |          |           |           |        |        | UL Allocation |               |       | DL Allocation |                         |     | Value | Result |
|-----------------|----------|-----------|-----------|--------|--------|---------------|---------------|-------|---------------|-------------------------|-----|-------|--------|
| PCC Band        | SCC Band | PCC       | SCC       | PCC CH | SCC CH | CC Modulation | PCC NRB_alloc |       | CC Modulation | PCC & SCC RB allocation |     |       |        |
|                 |          | Bandwidth | Bandwidth |        |        |               |               |       |               |                         |     |       |        |
| Band12A         | Band66A  | 10M       | 20M       | 23060  | 132072 | QPSK          | 1             | 0     | QPSK          | 50                      | 100 | 22.74 | Pass   |
|                 |          |           |           | 23060  | 132072 | QPSK          | 1             | 24    | QPSK          | 50                      | 100 | 22.97 | Pass   |
|                 |          |           |           | 23060  | 132072 | QPSK          | 1             | 49    | QPSK          | 50                      | 100 | 22.89 | Pass   |
|                 |          |           |           | 23060  | 132072 | QPSK          | 25            | 0     | QPSK          | 50                      | 100 | 22.93 | Pass   |
|                 |          |           |           | 23060  | 132072 | QPSK          | 25            | 12    | QPSK          | 50                      | 100 | 22.84 | Pass   |
|                 |          |           |           | 23060  | 132072 | QPSK          | 25            | 25    | QPSK          | 50                      | 100 | 22.95 | Pass   |
|                 |          |           |           | 23060  | 132072 | QPSK          | 50            | 0     | QPSK          | 50                      | 100 | 21.97 | Pass   |
|                 |          |           |           | 23095  | 132197 | QPSK          | 1             | 0     | QPSK          | 50                      | 100 | 22.75 | Pass   |
|                 |          |           |           | 23095  | 132197 | QPSK          | 1             | 24    | QPSK          | 50                      | 100 | 22.87 | Pass   |
|                 |          |           |           | 23095  | 132197 | QPSK          | 1             | 49    | QPSK          | 50                      | 100 | 22.77 | Pass   |
|                 |          |           |           | 23095  | 132197 | QPSK          | 25            | 0     | QPSK          | 50                      | 100 | 22.86 | Pass   |
|                 |          |           |           | 23095  | 132197 | QPSK          | 25            | 12    | QPSK          | 50                      | 100 | 22.9  | Pass   |
|                 |          |           |           | 23095  | 132197 | QPSK          | 25            | 25    | QPSK          | 50                      | 100 | 22.94 | Pass   |
|                 |          |           |           | 23095  | 132197 | QPSK          | 50            | 0     | QPSK          | 50                      | 100 | 21.8  | Pass   |
|                 |          |           |           | 23130  | 132322 | QPSK          | 1             | 0     | QPSK          | 50                      | 100 | 22.9  | Pass   |
|                 |          |           |           | 23130  | 132322 | QPSK          | 1             | 24    | QPSK          | 50                      | 100 | 22.99 | Pass   |
|                 |          |           |           | 23130  | 132322 | QPSK          | 1             | 49    | QPSK          | 50                      | 100 | 23.01 | Pass   |
|                 |          |           |           | 23130  | 132322 | QPSK          | 25            | 0     | QPSK          | 50                      | 100 | 22.93 | Pass   |
|                 |          |           |           | 23130  | 132322 | QPSK          | 25            | 12    | QPSK          | 50                      | 100 | 22.97 | Pass   |
|                 |          |           |           | 23130  | 132322 | QPSK          | 25            | 25    | QPSK          | 50                      | 100 | 22.98 | Pass   |
| 23130           | 132322   | QPSK      | 50        | 0      | QPSK   | 50            | 100           | 21.92 | Pass          |                         |     |       |        |



2CA Band 30A+29A\_DL CA

| Test Parameters |          |           |           | UL Allocation |        |               |           | DL Allocation |               |           |    | Value | Result |
|-----------------|----------|-----------|-----------|---------------|--------|---------------|-----------|---------------|---------------|-----------|----|-------|--------|
| PCC Band        | SCC Band | PCC       | SCC       | PCC CH        | SCC CH | CC Modulation | PCC       |               | CC Modulation | PCC & SCC |    |       |        |
|                 |          | Bandwidth | Bandwidth |               |        |               | NRB_alloc | RB allocation |               |           |    |       |        |
| Band30A         | Band29A  | 5M        | 5M        | 27685         | 9685   | QPSK          | 1         | 0             | QPSK          | 25        | 25 | 23.28 | Pass   |
|                 |          |           |           | 27685         | 9685   | QPSK          | 1         | 12            | QPSK          | 25        | 25 | 23.17 | Pass   |
|                 |          |           |           | 27685         | 9685   | QPSK          | 1         | 24            | QPSK          | 25        | 25 | 23.12 | Pass   |
|                 |          |           |           | 27685         | 9685   | QPSK          | 12        | 0             | QPSK          | 25        | 25 | 22.17 | Pass   |
|                 |          |           |           | 27685         | 9685   | QPSK          | 12        | 6             | QPSK          | 25        | 25 | 22.19 | Pass   |
|                 |          |           |           | 27685         | 9685   | QPSK          | 12        | 13            | QPSK          | 25        | 25 | 22.02 | Pass   |
|                 |          |           |           | 27685         | 9685   | QPSK          | 25        | 0             | QPSK          | 25        | 25 | 22.21 | Pass   |
|                 |          |           |           | 27710         | 9715   | QPSK          | 1         | 0             | QPSK          | 25        | 25 | 23.31 | Pass   |
|                 |          |           |           | 27710         | 9715   | QPSK          | 1         | 12            | QPSK          | 25        | 25 | 23.08 | Pass   |
|                 |          |           |           | 27710         | 9715   | QPSK          | 1         | 24            | QPSK          | 25        | 25 | 23.13 | Pass   |
|                 |          |           |           | 27710         | 9715   | QPSK          | 12        | 0             | QPSK          | 25        | 25 | 22.23 | Pass   |
|                 |          |           |           | 27710         | 9715   | QPSK          | 12        | 6             | QPSK          | 25        | 25 | 22.25 | Pass   |
|                 |          |           |           | 27710         | 9715   | QPSK          | 12        | 13            | QPSK          | 25        | 25 | 22.14 | Pass   |
|                 |          |           |           | 27710         | 9715   | QPSK          | 25        | 0             | QPSK          | 25        | 25 | 22.21 | Pass   |
|                 |          |           |           | 27735         | 9745   | QPSK          | 1         | 0             | QPSK          | 25        | 25 | 23.18 | Pass   |
|                 |          |           |           | 27735         | 9745   | QPSK          | 1         | 12            | QPSK          | 25        | 25 | 23.15 | Pass   |
|                 |          |           |           | 27735         | 9745   | QPSK          | 1         | 24            | QPSK          | 25        | 25 | 23.21 | Pass   |
|                 |          |           |           | 27735         | 9745   | QPSK          | 12        | 0             | QPSK          | 25        | 25 | 22.16 | Pass   |
|                 |          |           |           | 27735         | 9745   | QPSK          | 12        | 6             | QPSK          | 25        | 25 | 22.17 | Pass   |
|                 |          |           |           | 27735         | 9745   | QPSK          | 12        | 13            | QPSK          | 25        | 25 | 22.14 | Pass   |
| 27735           | 9745     | QPSK      | 25        | 0             | QPSK   | 25            | 25        | 22.29         | Pass          |           |    |       |        |



| Test Parameters |          |           |           |        |        | UL Allocation |           |       | DL Allocation |                         |    | Value | Result |
|-----------------|----------|-----------|-----------|--------|--------|---------------|-----------|-------|---------------|-------------------------|----|-------|--------|
| PCC Band        | SCC Band | PCC       | SCC       | PCC CH | SCC CH | CC Modulation | PCC       |       | CC Modulation | PCC & SCC RB allocation |    |       |        |
|                 |          | Bandwidth | Bandwidth |        |        |               | NRB_alloc |       |               |                         |    |       |        |
| Band30A         | Band29A  | 10M       | 10M       | 27710  | 9710   | QPSK          | 1         | 0     | QPSK          | 50                      | 50 | 23.54 | Pass   |
|                 |          |           |           | 27710  | 9710   | QPSK          | 1         | 24    | QPSK          | 50                      | 50 | 23.03 | Pass   |
|                 |          |           |           | 27710  | 9710   | QPSK          | 1         | 49    | QPSK          | 50                      | 50 | 23.23 | Pass   |
|                 |          |           |           | 27710  | 9710   | QPSK          | 25        | 0     | QPSK          | 50                      | 50 | 22.44 | Pass   |
|                 |          |           |           | 27710  | 9710   | QPSK          | 25        | 12    | QPSK          | 50                      | 50 | 22.27 | Pass   |
|                 |          |           |           | 27710  | 9710   | QPSK          | 25        | 25    | QPSK          | 50                      | 50 | 22.22 | Pass   |
|                 |          |           |           | 27710  | 9710   | QPSK          | 50        | 0     | QPSK          | 50                      | 50 | 22.27 | Pass   |
|                 |          |           |           | 27710  | 9715   | QPSK          | 1         | 0     | QPSK          | 50                      | 50 | 23.53 | Pass   |
|                 |          |           |           | 27710  | 9715   | QPSK          | 1         | 24    | QPSK          | 50                      | 50 | 23.04 | Pass   |
|                 |          |           |           | 27710  | 9715   | QPSK          | 1         | 49    | QPSK          | 50                      | 50 | 23.26 | Pass   |
|                 |          |           |           | 27710  | 9715   | QPSK          | 25        | 0     | QPSK          | 50                      | 50 | 22.32 | Pass   |
|                 |          |           |           | 27710  | 9715   | QPSK          | 25        | 12    | QPSK          | 50                      | 50 | 22.24 | Pass   |
|                 |          |           |           | 27710  | 9715   | QPSK          | 25        | 25    | QPSK          | 50                      | 50 | 22.23 | Pass   |
|                 |          |           |           | 27710  | 9715   | QPSK          | 50        | 0     | QPSK          | 50                      | 50 | 22.27 | Pass   |
|                 |          |           |           | 27710  | 9720   | QPSK          | 1         | 0     | QPSK          | 50                      | 50 | 23.44 | Pass   |
|                 |          |           |           | 27710  | 9720   | QPSK          | 1         | 24    | QPSK          | 50                      | 50 | 23.12 | Pass   |
|                 |          |           |           | 27710  | 9720   | QPSK          | 1         | 49    | QPSK          | 50                      | 50 | 23.27 | Pass   |
|                 |          |           |           | 27710  | 9720   | QPSK          | 25        | 0     | QPSK          | 50                      | 50 | 22.37 | Pass   |
|                 |          |           |           | 27710  | 9720   | QPSK          | 25        | 12    | QPSK          | 50                      | 50 | 22.23 | Pass   |
|                 |          |           |           | 27710  | 9720   | QPSK          | 25        | 25    | QPSK          | 50                      | 50 | 22.24 | Pass   |
| 27710           | 9720     | QPSK      | 50        | 0      | QPSK   | 50            | 50        | 22.23 | Pass          |                         |    |       |        |



2CA Band 30A+66A\_DL CA

| Test Parameters |          |           |           |        |        | UL Allocation |               |       | DL Allocation |                         |    | Value | Result |
|-----------------|----------|-----------|-----------|--------|--------|---------------|---------------|-------|---------------|-------------------------|----|-------|--------|
| PCC Band        | SCC Band | PCC       | SCC       | PCC CH | SCC CH | CC Modulation | PCC NRB_alloc |       | CC Modulation | PCC & SCC RB allocation |    |       |        |
|                 |          | Bandwidth | Bandwidth |        |        |               |               |       |               |                         |    |       |        |
| Band30A         | Band66A  | 5M        | 5M        | 27685  | 131997 | QPSK          | 1             | 0     | QPSK          | 25                      | 25 | 23.19 | Pass   |
|                 |          |           |           | 27685  | 131997 | QPSK          | 1             | 12    | QPSK          | 25                      | 25 | 23.16 | Pass   |
|                 |          |           |           | 27685  | 131997 | QPSK          | 1             | 24    | QPSK          | 25                      | 25 | 23.07 | Pass   |
|                 |          |           |           | 27685  | 131997 | QPSK          | 12            | 0     | QPSK          | 25                      | 25 | 22.15 | Pass   |
|                 |          |           |           | 27685  | 131997 | QPSK          | 12            | 6     | QPSK          | 25                      | 25 | 22.14 | Pass   |
|                 |          |           |           | 27685  | 131997 | QPSK          | 12            | 13    | QPSK          | 25                      | 25 | 21.96 | Pass   |
|                 |          |           |           | 27685  | 131997 | QPSK          | 25            | 0     | QPSK          | 25                      | 25 | 22.16 | Pass   |
|                 |          |           |           | 27710  | 132197 | QPSK          | 1             | 0     | QPSK          | 25                      | 25 | 23.25 | Pass   |
|                 |          |           |           | 27710  | 132197 | QPSK          | 1             | 12    | QPSK          | 25                      | 25 | 23.03 | Pass   |
|                 |          |           |           | 27710  | 132197 | QPSK          | 1             | 24    | QPSK          | 25                      | 25 | 23.06 | Pass   |
|                 |          |           |           | 27710  | 132197 | QPSK          | 12            | 0     | QPSK          | 25                      | 25 | 22.19 | Pass   |
|                 |          |           |           | 27710  | 132197 | QPSK          | 12            | 6     | QPSK          | 25                      | 25 | 22.22 | Pass   |
|                 |          |           |           | 27710  | 132197 | QPSK          | 12            | 13    | QPSK          | 25                      | 25 | 22.05 | Pass   |
|                 |          |           |           | 27710  | 132197 | QPSK          | 25            | 0     | QPSK          | 25                      | 25 | 22.12 | Pass   |
|                 |          |           |           | 27735  | 132397 | QPSK          | 1             | 0     | QPSK          | 25                      | 25 | 23.18 | Pass   |
|                 |          |           |           | 27735  | 132397 | QPSK          | 1             | 12    | QPSK          | 25                      | 25 | 23.13 | Pass   |
|                 |          |           |           | 27735  | 132397 | QPSK          | 1             | 24    | QPSK          | 25                      | 25 | 23.19 | Pass   |
|                 |          |           |           | 27735  | 132397 | QPSK          | 12            | 0     | QPSK          | 25                      | 25 | 22.07 | Pass   |
|                 |          |           |           | 27735  | 132397 | QPSK          | 12            | 6     | QPSK          | 25                      | 25 | 22.05 | Pass   |
|                 |          |           |           | 27735  | 132397 | QPSK          | 12            | 13    | QPSK          | 25                      | 25 | 22.11 | Pass   |
| 27735           | 132397   | QPSK      | 25        | 0      | QPSK   | 25            | 25            | 22.18 | Pass          |                         |    |       |        |



| Test Parameters |          |           |           |        |        | UL Allocation |               |       | DL Allocation |                         |    | Value | Result |
|-----------------|----------|-----------|-----------|--------|--------|---------------|---------------|-------|---------------|-------------------------|----|-------|--------|
| PCC Band        | SCC Band | PCC       | SCC       | PCC CH | SCC CH | CC Modulation | PCC NRB_alloc |       | CC Modulation | PCC & SCC RB allocation |    |       |        |
|                 |          | Bandwidth | Bandwidth |        |        |               |               |       |               |                         |    |       |        |
| Band30A         | Band66A  | 10M       | 10M       | 27710  | 132022 | QPSK          | 1             | 0     | QPSK          | 50                      | 50 | 23.48 | Pass   |
|                 |          |           |           | 27710  | 132022 | QPSK          | 1             | 24    | QPSK          | 50                      | 50 | 23.07 | Pass   |
|                 |          |           |           | 27710  | 132022 | QPSK          | 1             | 49    | QPSK          | 50                      | 50 | 23.16 | Pass   |
|                 |          |           |           | 27710  | 132022 | QPSK          | 25            | 0     | QPSK          | 50                      | 50 | 22.29 | Pass   |
|                 |          |           |           | 27710  | 132022 | QPSK          | 25            | 12    | QPSK          | 50                      | 50 | 22.11 | Pass   |
|                 |          |           |           | 27710  | 132022 | QPSK          | 25            | 25    | QPSK          | 50                      | 50 | 22.16 | Pass   |
|                 |          |           |           | 27710  | 132022 | QPSK          | 50            | 0     | QPSK          | 50                      | 50 | 22.19 | Pass   |
|                 |          |           |           | 27710  | 132197 | QPSK          | 1             | 0     | QPSK          | 50                      | 50 | 23.51 | Pass   |
|                 |          |           |           | 27710  | 132197 | QPSK          | 1             | 24    | QPSK          | 50                      | 50 | 23.11 | Pass   |
|                 |          |           |           | 27710  | 132197 | QPSK          | 1             | 49    | QPSK          | 50                      | 50 | 23.24 | Pass   |
|                 |          |           |           | 27710  | 132197 | QPSK          | 25            | 0     | QPSK          | 50                      | 50 | 22.29 | Pass   |
|                 |          |           |           | 27710  | 132197 | QPSK          | 25            | 12    | QPSK          | 50                      | 50 | 22.12 | Pass   |
|                 |          |           |           | 27710  | 132197 | QPSK          | 25            | 25    | QPSK          | 50                      | 50 | 22.27 | Pass   |
|                 |          |           |           | 27710  | 132197 | QPSK          | 50            | 0     | QPSK          | 50                      | 50 | 22.26 | Pass   |
|                 |          |           |           | 27710  | 132372 | QPSK          | 1             | 0     | QPSK          | 50                      | 50 | 23.4  | Pass   |
|                 |          |           |           | 27710  | 132372 | QPSK          | 1             | 24    | QPSK          | 50                      | 50 | 23.06 | Pass   |
|                 |          |           |           | 27710  | 132372 | QPSK          | 1             | 49    | QPSK          | 50                      | 50 | 23.21 | Pass   |
|                 |          |           |           | 27710  | 132372 | QPSK          | 25            | 0     | QPSK          | 50                      | 50 | 22.34 | Pass   |
|                 |          |           |           | 27710  | 132372 | QPSK          | 25            | 12    | QPSK          | 50                      | 50 | 22.23 | Pass   |
|                 |          |           |           | 27710  | 132372 | QPSK          | 25            | 25    | QPSK          | 50                      | 50 | 22.26 | Pass   |
| 27710           | 132372   | QPSK      | 50        | 0      | QPSK   | 50            | 50            | 22.18 | Pass          |                         |    |       |        |



| Test Parameters |          |           |           |        |        | UL Allocation |               |       | DL Allocation |                         |    | Value | Result |
|-----------------|----------|-----------|-----------|--------|--------|---------------|---------------|-------|---------------|-------------------------|----|-------|--------|
| PCC Band        | SCC Band | PCC       | SCC       | PCC CH | SCC CH | CC Modulation | PCC NRB_alloc |       | CC Modulation | PCC & SCC RB allocation |    |       |        |
|                 |          | Bandwidth | Bandwidth |        |        |               |               |       |               |                         |    |       |        |
| Band30          | Band66   | 5M        | 15M       | 27685  | 132047 | QPSK          | 1             | 0     | QPSK          | 25                      | 75 | 23.2  | Pass   |
|                 |          |           |           | 27685  | 132047 | QPSK          | 1             | 12    | QPSK          | 25                      | 75 | 23.13 | Pass   |
|                 |          |           |           | 27685  | 132047 | QPSK          | 1             | 24    | QPSK          | 25                      | 75 | 23.07 | Pass   |
|                 |          |           |           | 27685  | 132047 | QPSK          | 12            | 0     | QPSK          | 25                      | 75 | 22.17 | Pass   |
|                 |          |           |           | 27685  | 132047 | QPSK          | 12            | 6     | QPSK          | 25                      | 75 | 22.14 | Pass   |
|                 |          |           |           | 27685  | 132047 | QPSK          | 12            | 13    | QPSK          | 25                      | 75 | 21.96 | Pass   |
|                 |          |           |           | 27685  | 132047 | QPSK          | 25            | 0     | QPSK          | 25                      | 75 | 22.09 | Pass   |
|                 |          |           |           | 27710  | 132197 | QPSK          | 1             | 0     | QPSK          | 25                      | 75 | 23.22 | Pass   |
|                 |          |           |           | 27710  | 132197 | QPSK          | 1             | 12    | QPSK          | 25                      | 75 | 22.96 | Pass   |
|                 |          |           |           | 27710  | 132197 | QPSK          | 1             | 24    | QPSK          | 25                      | 75 | 23.1  | Pass   |
|                 |          |           |           | 27710  | 132197 | QPSK          | 12            | 0     | QPSK          | 25                      | 75 | 22.22 | Pass   |
|                 |          |           |           | 27710  | 132197 | QPSK          | 12            | 6     | QPSK          | 25                      | 75 | 22.24 | Pass   |
|                 |          |           |           | 27710  | 132197 | QPSK          | 12            | 13    | QPSK          | 25                      | 75 | 22.03 | Pass   |
|                 |          |           |           | 27710  | 132197 | QPSK          | 25            | 0     | QPSK          | 25                      | 75 | 22.17 | Pass   |
|                 |          |           |           | 27735  | 132347 | QPSK          | 1             | 0     | QPSK          | 25                      | 75 | 23.18 | Pass   |
|                 |          |           |           | 27735  | 132347 | QPSK          | 1             | 12    | QPSK          | 25                      | 75 | 23.12 | Pass   |
|                 |          |           |           | 27735  | 132347 | QPSK          | 1             | 24    | QPSK          | 25                      | 75 | 23.25 | Pass   |
|                 |          |           |           | 27735  | 132347 | QPSK          | 12            | 0     | QPSK          | 25                      | 75 | 22.12 | Pass   |
|                 |          |           |           | 27735  | 132347 | QPSK          | 12            | 6     | QPSK          | 25                      | 75 | 22.09 | Pass   |
|                 |          |           |           | 27735  | 132347 | QPSK          | 12            | 13    | QPSK          | 25                      | 75 | 22.12 | Pass   |
| 27735           | 132347   | QPSK      | 25        | 0      | QPSK   | 25            | 75            | 22.18 | Pass          |                         |    |       |        |



| Test Parameters |          |           |           |        |        | UL Allocation |               |       | DL Allocation |                         |     | Value | Result |
|-----------------|----------|-----------|-----------|--------|--------|---------------|---------------|-------|---------------|-------------------------|-----|-------|--------|
| PCC Band        | SCC Band | PCC       | SCC       | PCC CH | SCC CH | CC Modulation | PCC NRB_alloc |       | CC Modulation | PCC & SCC RB allocation |     |       |        |
|                 |          | Bandwidth | Bandwidth |        |        |               |               |       |               |                         |     |       |        |
| Band30          | Band66   | 5M        | 20M       | 27685  | 132072 | QPSK          | 1             | 0     | QPSK          | 25                      | 100 | 23.18 | Pass   |
|                 |          |           |           | 27685  | 132072 | QPSK          | 1             | 12    | QPSK          | 25                      | 100 | 23.1  | Pass   |
|                 |          |           |           | 27685  | 132072 | QPSK          | 1             | 24    | QPSK          | 25                      | 100 | 23.06 | Pass   |
|                 |          |           |           | 27685  | 132072 | QPSK          | 12            | 0     | QPSK          | 25                      | 100 | 22.16 | Pass   |
|                 |          |           |           | 27685  | 132072 | QPSK          | 12            | 6     | QPSK          | 25                      | 100 | 22.16 | Pass   |
|                 |          |           |           | 27685  | 132072 | QPSK          | 12            | 13    | QPSK          | 25                      | 100 | 21.97 | Pass   |
|                 |          |           |           | 27685  | 132072 | QPSK          | 25            | 0     | QPSK          | 25                      | 100 | 22.14 | Pass   |
|                 |          |           |           | 27710  | 132197 | QPSK          | 1             | 0     | QPSK          | 25                      | 100 | 23.17 | Pass   |
|                 |          |           |           | 27710  | 132197 | QPSK          | 1             | 12    | QPSK          | 25                      | 100 | 22.96 | Pass   |
|                 |          |           |           | 27710  | 132197 | QPSK          | 1             | 24    | QPSK          | 25                      | 100 | 23.13 | Pass   |
|                 |          |           |           | 27710  | 132197 | QPSK          | 12            | 0     | QPSK          | 25                      | 100 | 22.19 | Pass   |
|                 |          |           |           | 27710  | 132197 | QPSK          | 12            | 6     | QPSK          | 25                      | 100 | 22.17 | Pass   |
|                 |          |           |           | 27710  | 132197 | QPSK          | 12            | 13    | QPSK          | 25                      | 100 | 22.11 | Pass   |
|                 |          |           |           | 27710  | 132197 | QPSK          | 25            | 0     | QPSK          | 25                      | 100 | 22.12 | Pass   |
|                 |          |           |           | 27735  | 132322 | QPSK          | 1             | 0     | QPSK          | 25                      | 100 | 23.24 | Pass   |
|                 |          |           |           | 27735  | 132322 | QPSK          | 1             | 12    | QPSK          | 25                      | 100 | 23.07 | Pass   |
|                 |          |           |           | 27735  | 132322 | QPSK          | 1             | 24    | QPSK          | 25                      | 100 | 23.26 | Pass   |
|                 |          |           |           | 27735  | 132322 | QPSK          | 12            | 0     | QPSK          | 25                      | 100 | 22.07 | Pass   |
|                 |          |           |           | 27735  | 132322 | QPSK          | 12            | 6     | QPSK          | 25                      | 100 | 22.03 | Pass   |
|                 |          |           |           | 27735  | 132322 | QPSK          | 12            | 13    | QPSK          | 25                      | 100 | 22.19 | Pass   |
| 27735           | 132322   | QPSK      | 25        | 0      | QPSK   | 25            | 100           | 22.25 | Pass          |                         |     |       |        |





| Test Parameters |          |           |           |        |        | UL Allocation |               |       | DL Allocation |                         |    | Value | Result |
|-----------------|----------|-----------|-----------|--------|--------|---------------|---------------|-------|---------------|-------------------------|----|-------|--------|
| PCC Band        | SCC Band | PCC       | SCC       | PCC CH | SCC CH | CC Modulation | PCC NRB_alloc |       | CC Modulation | PCC & SCC RB allocation |    |       |        |
|                 |          | Bandwidth | Bandwidth |        |        |               |               |       |               |                         |    |       |        |
| Band30          | Band66   | 10M       | 15M       | 27710  | 132047 | QPSK          | 1             | 0     | QPSK          | 50                      | 75 | 23.51 | Pass   |
|                 |          |           |           | 27710  | 132047 | QPSK          | 1             | 24    | QPSK          | 50                      | 75 | 23    | Pass   |
|                 |          |           |           | 27710  | 132047 | QPSK          | 1             | 49    | QPSK          | 50                      | 75 | 23.14 | Pass   |
|                 |          |           |           | 27710  | 132047 | QPSK          | 25            | 0     | QPSK          | 50                      | 75 | 22.36 | Pass   |
|                 |          |           |           | 27710  | 132047 | QPSK          | 25            | 12    | QPSK          | 50                      | 75 | 22.11 | Pass   |
|                 |          |           |           | 27710  | 132047 | QPSK          | 25            | 25    | QPSK          | 50                      | 75 | 22.19 | Pass   |
|                 |          |           |           | 27710  | 132047 | QPSK          | 50            | 0     | QPSK          | 50                      | 75 | 22.12 | Pass   |
|                 |          |           |           | 27710  | 132197 | QPSK          | 1             | 0     | QPSK          | 50                      | 75 | 23.45 | Pass   |
|                 |          |           |           | 27710  | 132197 | QPSK          | 1             | 24    | QPSK          | 50                      | 75 | 23.03 | Pass   |
|                 |          |           |           | 27710  | 132197 | QPSK          | 1             | 49    | QPSK          | 50                      | 75 | 23.3  | Pass   |
|                 |          |           |           | 27710  | 132197 | QPSK          | 25            | 0     | QPSK          | 50                      | 75 | 22.26 | Pass   |
|                 |          |           |           | 27710  | 132197 | QPSK          | 25            | 12    | QPSK          | 50                      | 75 | 22.15 | Pass   |
|                 |          |           |           | 27710  | 132197 | QPSK          | 25            | 25    | QPSK          | 50                      | 75 | 22.21 | Pass   |
|                 |          |           |           | 27710  | 132197 | QPSK          | 50            | 0     | QPSK          | 50                      | 75 | 22.17 | Pass   |
|                 |          |           |           | 27710  | 132347 | QPSK          | 1             | 0     | QPSK          | 50                      | 75 | 23.41 | Pass   |
|                 |          |           |           | 27710  | 132347 | QPSK          | 1             | 24    | QPSK          | 50                      | 75 | 23.11 | Pass   |
|                 |          |           |           | 27710  | 132347 | QPSK          | 1             | 49    | QPSK          | 50                      | 75 | 23.25 | Pass   |
|                 |          |           |           | 27710  | 132347 | QPSK          | 25            | 0     | QPSK          | 50                      | 75 | 22.31 | Pass   |
|                 |          |           |           | 27710  | 132347 | QPSK          | 25            | 12    | QPSK          | 50                      | 75 | 22.2  | Pass   |
|                 |          |           |           | 27710  | 132347 | QPSK          | 25            | 25    | QPSK          | 50                      | 75 | 22.22 | Pass   |
| 27710           | 132347   | QPSK      | 50        | 0      | QPSK   | 50            | 75            | 22.18 | Pass          |                         |    |       |        |



| Test Parameters |          |           |           |        |        | UL Allocation |               |       | DL Allocation |                         |     | Value | Result |
|-----------------|----------|-----------|-----------|--------|--------|---------------|---------------|-------|---------------|-------------------------|-----|-------|--------|
| PCC Band        | SCC Band | PCC       | SCC       | PCC CH | SCC CH | CC Modulation | PCC NRB_alloc |       | CC Modulation | PCC & SCC RB allocation |     |       |        |
|                 |          | Bandwidth | Bandwidth |        |        |               |               |       |               |                         |     |       |        |
| Band30          | Band66   | 10M       | 20M       | 27710  | 132072 | QPSK          | 1             | 0     | QPSK          | 50                      | 100 | 23.49 | Pass   |
|                 |          |           |           | 27710  | 132072 | QPSK          | 1             | 24    | QPSK          | 50                      | 100 | 23.03 | Pass   |
|                 |          |           |           | 27710  | 132072 | QPSK          | 1             | 49    | QPSK          | 50                      | 100 | 23.21 | Pass   |
|                 |          |           |           | 27710  | 132072 | QPSK          | 25            | 0     | QPSK          | 50                      | 100 | 22.3  | Pass   |
|                 |          |           |           | 27710  | 132072 | QPSK          | 25            | 12    | QPSK          | 50                      | 100 | 22.09 | Pass   |
|                 |          |           |           | 27710  | 132072 | QPSK          | 25            | 25    | QPSK          | 50                      | 100 | 22.14 | Pass   |
|                 |          |           |           | 27710  | 132072 | QPSK          | 50            | 0     | QPSK          | 50                      | 100 | 22.14 | Pass   |
|                 |          |           |           | 27710  | 132197 | QPSK          | 1             | 0     | QPSK          | 50                      | 100 | 23.47 | Pass   |
|                 |          |           |           | 27710  | 132197 | QPSK          | 1             | 24    | QPSK          | 50                      | 100 | 23.1  | Pass   |
|                 |          |           |           | 27710  | 132197 | QPSK          | 1             | 49    | QPSK          | 50                      | 100 | 23.26 | Pass   |
|                 |          |           |           | 27710  | 132197 | QPSK          | 25            | 0     | QPSK          | 50                      | 100 | 22.3  | Pass   |
|                 |          |           |           | 27710  | 132197 | QPSK          | 25            | 12    | QPSK          | 50                      | 100 | 22.2  | Pass   |
|                 |          |           |           | 27710  | 132197 | QPSK          | 25            | 25    | QPSK          | 50                      | 100 | 22.28 | Pass   |
|                 |          |           |           | 27710  | 132197 | QPSK          | 50            | 0     | QPSK          | 50                      | 100 | 22.18 | Pass   |
|                 |          |           |           | 27710  | 132322 | QPSK          | 1             | 0     | QPSK          | 50                      | 100 | 23.35 | Pass   |
|                 |          |           |           | 27710  | 132322 | QPSK          | 1             | 24    | QPSK          | 50                      | 100 | 23.07 | Pass   |
|                 |          |           |           | 27710  | 132322 | QPSK          | 1             | 49    | QPSK          | 50                      | 100 | 23.24 | Pass   |
|                 |          |           |           | 27710  | 132322 | QPSK          | 25            | 0     | QPSK          | 50                      | 100 | 22.28 | Pass   |
|                 |          |           |           | 27710  | 132322 | QPSK          | 25            | 12    | QPSK          | 50                      | 100 | 22.16 | Pass   |
|                 |          |           |           | 27710  | 132322 | QPSK          | 25            | 25    | QPSK          | 50                      | 100 | 22.2  | Pass   |
| 27710           | 132322   | QPSK      | 50        | 0      | QPSK   | 50            | 100           | 22.15 | Pass          |                         |     |       |        |



2CA Band 66A+66A\_DL CA

| Test Parameters |          |            |           |           |        |        | UL Allocation |           |               |               | DL Allocation |    |       | Value | Result |
|-----------------|----------|------------|-----------|-----------|--------|--------|---------------|-----------|---------------|---------------|---------------|----|-------|-------|--------|
| PCC Band        | SCC Band | Wgap [MHz] | PCC       | SCC       | PCC CH | SCC CH | CC Modulation | PCC       |               | CC Modulation | PCC & SCC     |    |       |       |        |
|                 |          |            | Bandwidth | Bandwidth |        |        |               | NRB_alloc | RB allocation |               |               |    |       |       |        |
| Band66A         | Band66A  | 80         | 5M        | 5M        | 131997 | 67311  | QPSK          | 1         | 0             | QPSK          | 25            | 25 | 23.11 | Pass  |        |
|                 |          |            |           |           | 131997 | 67311  | QPSK          | 1         | 12            | QPSK          | 25            | 25 | 22.75 | Pass  |        |
|                 |          |            |           |           | 131997 | 67311  | QPSK          | 1         | 24            | QPSK          | 25            | 25 | 22.73 | Pass  |        |
|                 |          |            |           |           | 131997 | 67311  | QPSK          | 12        | 0             | QPSK          | 25            | 25 | 21.99 | Pass  |        |
|                 |          |            |           |           | 131997 | 67311  | QPSK          | 12        | 6             | QPSK          | 25            | 25 | 21.99 | Pass  |        |
|                 |          |            |           |           | 131997 | 67311  | QPSK          | 12        | 13            | QPSK          | 25            | 25 | 21.94 | Pass  |        |
|                 |          |            |           |           | 131997 | 67311  | QPSK          | 25        | 0             | QPSK          | 25            | 25 | 22    | Pass  |        |
| Band66A         | Band66A  | 75         | 5M        | 10M       | 131997 | 67286  | QPSK          | 1         | 0             | QPSK          | 25            | 50 | 22.99 | Pass  |        |
|                 |          |            |           |           | 131997 | 67286  | QPSK          | 1         | 12            | QPSK          | 25            | 50 | 22.9  | Pass  |        |
|                 |          |            |           |           | 131997 | 67286  | QPSK          | 1         | 24            | QPSK          | 25            | 50 | 22.81 | Pass  |        |
|                 |          |            |           |           | 131997 | 67286  | QPSK          | 12        | 0             | QPSK          | 25            | 50 | 21.98 | Pass  |        |
|                 |          |            |           |           | 131997 | 67286  | QPSK          | 12        | 6             | QPSK          | 25            | 50 | 21.95 | Pass  |        |
|                 |          |            |           |           | 131997 | 67286  | QPSK          | 12        | 13            | QPSK          | 25            | 50 | 21.87 | Pass  |        |
|                 |          |            |           |           | 131997 | 67286  | QPSK          | 25        | 0             | QPSK          | 25            | 50 | 21.87 | Pass  |        |
| Band66A         | Band66A  | 75         | 10M       | 5M        | 132022 | 67311  | QPSK          | 1         | 0             | QPSK          | 50            | 25 | 23.21 | Pass  |        |
|                 |          |            |           |           | 132022 | 67311  | QPSK          | 1         | 24            | QPSK          | 50            | 25 | 22.88 | Pass  |        |
|                 |          |            |           |           | 132022 | 67311  | QPSK          | 1         | 49            | QPSK          | 50            | 25 | 23.36 | Pass  |        |
|                 |          |            |           |           | 132022 | 67311  | QPSK          | 25        | 0             | QPSK          | 50            | 25 | 22.13 | Pass  |        |
|                 |          |            |           |           | 132022 | 67311  | QPSK          | 25        | 12            | QPSK          | 50            | 25 | 22.08 | Pass  |        |
|                 |          |            |           |           | 132022 | 67311  | QPSK          | 25        | 25            | QPSK          | 50            | 25 | 22.12 | Pass  |        |
|                 |          |            |           |           | 132022 | 67311  | QPSK          | 50        | 0             | QPSK          | 50            | 25 | 22.28 | Pass  |        |
| Band66A         | Band66A  | 70         | 5M        | 15M       | 131997 | 67261  | QPSK          | 1         | 0             | QPSK          | 25            | 75 | 23.06 | Pass  |        |
|                 |          |            |           |           | 131997 | 67261  | QPSK          | 1         | 12            | QPSK          | 25            | 75 | 22.76 | Pass  |        |
|                 |          |            |           |           | 131997 | 67261  | QPSK          | 1         | 24            | QPSK          | 25            | 75 | 22.9  | Pass  |        |
|                 |          |            |           |           | 131997 | 67261  | QPSK          | 12        | 0             | QPSK          | 25            | 75 | 21.96 | Pass  |        |
|                 |          |            |           |           | 131997 | 67261  | QPSK          | 12        | 6             | QPSK          | 25            | 75 | 22.03 | Pass  |        |
|                 |          |            |           |           | 131997 | 67261  | QPSK          | 12        | 13            | QPSK          | 25            | 75 | 21.96 | Pass  |        |
|                 |          |            |           |           | 131997 | 67261  | QPSK          | 25        | 0             | QPSK          | 25            | 75 | 21.93 | Pass  |        |



| Test Parameters |          |            |               |               |        | UL Allocation |               |               |    | DL Allocation |                         |     | Value | Result |
|-----------------|----------|------------|---------------|---------------|--------|---------------|---------------|---------------|----|---------------|-------------------------|-----|-------|--------|
| PCC Band        | SCC Band | Wgap [MHz] | PCC Bandwidth | SCC Bandwidth | PCC CH | SCC CH        | CC Modulation | PCC NRB_alloc |    | CC Modulation | PCC & SCC RB allocation |     |       |        |
| Band66A         | Band66A  | 70         | 15M           | 5M            | 132047 | 67311         | QPSK          | 1             | 0  | QPSK          | 75                      | 25  | 23.18 | Pass   |
|                 |          |            |               |               | 132047 | 67311         | QPSK          | 1             | 37 | QPSK          | 75                      | 25  | 23.09 | Pass   |
|                 |          |            |               |               | 132047 | 67311         | QPSK          | 1             | 74 | QPSK          | 75                      | 25  | 23.05 | Pass   |
|                 |          |            |               |               | 132047 | 67311         | QPSK          | 36            | 0  | QPSK          | 75                      | 25  | 22.23 | Pass   |
|                 |          |            |               |               | 132047 | 67311         | QPSK          | 36            | 19 | QPSK          | 75                      | 25  | 22.08 | Pass   |
|                 |          |            |               |               | 132047 | 67311         | QPSK          | 36            | 39 | QPSK          | 75                      | 25  | 21.98 | Pass   |
|                 |          |            |               |               | 132047 | 67311         | QPSK          | 75            | 0  | QPSK          | 75                      | 25  | 22.32 | Pass   |
| Band66A         | Band66A  | 70         | 10M           | 10M           | 132022 | 67286         | QPSK          | 1             | 0  | QPSK          | 50                      | 50  | 23.23 | Pass   |
|                 |          |            |               |               | 132022 | 67286         | QPSK          | 1             | 24 | QPSK          | 50                      | 50  | 22.95 | Pass   |
|                 |          |            |               |               | 132022 | 67286         | QPSK          | 1             | 49 | QPSK          | 50                      | 50  | 23.26 | Pass   |
|                 |          |            |               |               | 132022 | 67286         | QPSK          | 25            | 0  | QPSK          | 50                      | 50  | 22.31 | Pass   |
|                 |          |            |               |               | 132022 | 67286         | QPSK          | 25            | 12 | QPSK          | 50                      | 50  | 22.04 | Pass   |
|                 |          |            |               |               | 132022 | 67286         | QPSK          | 25            | 25 | QPSK          | 50                      | 50  | 22.08 | Pass   |
|                 |          |            |               |               | 132022 | 67286         | QPSK          | 50            | 0  | QPSK          | 50                      | 50  | 22.24 | Pass   |
| Band66A         | Band66A  | 65         | 5M            | 20M           | 131997 | 67236         | QPSK          | 1             | 0  | QPSK          | 25                      | 100 | 23.01 | Pass   |
|                 |          |            |               |               | 131997 | 67236         | QPSK          | 1             | 12 | QPSK          | 25                      | 100 | 22.82 | Pass   |
|                 |          |            |               |               | 131997 | 67236         | QPSK          | 1             | 24 | QPSK          | 25                      | 100 | 22.88 | Pass   |
|                 |          |            |               |               | 131997 | 67236         | QPSK          | 12            | 0  | QPSK          | 25                      | 100 | 22.06 | Pass   |
|                 |          |            |               |               | 131997 | 67236         | QPSK          | 12            | 6  | QPSK          | 25                      | 100 | 22    | Pass   |
|                 |          |            |               |               | 131997 | 67236         | QPSK          | 12            | 13 | QPSK          | 25                      | 100 | 21.98 | Pass   |
|                 |          |            |               |               | 131997 | 67236         | QPSK          | 25            | 0  | QPSK          | 25                      | 100 | 21.89 | Pass   |
| Band66A         | Band66A  | 65         | 20M           | 5M            | 132072 | 67311         | QPSK          | 1             | 0  | QPSK          | 100                     | 25  | 23.37 | Pass   |
|                 |          |            |               |               | 132072 | 67311         | QPSK          | 1             | 49 | QPSK          | 100                     | 25  | 22.94 | Pass   |
|                 |          |            |               |               | 132072 | 67311         | QPSK          | 1             | 99 | QPSK          | 100                     | 25  | 23.02 | Pass   |
|                 |          |            |               |               | 132072 | 67311         | QPSK          | 50            | 0  | QPSK          | 100                     | 25  | 22.01 | Pass   |
|                 |          |            |               |               | 132072 | 67311         | QPSK          | 50            | 25 | QPSK          | 100                     | 25  | 22.07 | Pass   |
|                 |          |            |               |               | 132072 | 67311         | QPSK          | 50            | 50 | QPSK          | 100                     | 25  | 21.88 | Pass   |
|                 |          |            |               |               | 132072 | 67311         | QPSK          | 100           | 0  | QPSK          | 100                     | 25  | 21.96 | Pass   |



| Test Parameters |          |            |               |               |        | UL Allocation |               |               |    | DL Allocation |                         |     | Value | Result |
|-----------------|----------|------------|---------------|---------------|--------|---------------|---------------|---------------|----|---------------|-------------------------|-----|-------|--------|
| PCC Band        | SCC Band | Wgap [MHz] | PCC Bandwidth | SCC Bandwidth | PCC CH | SCC CH        | CC Modulation | PCC NRB_alloc |    | CC Modulation | PCC & SCC RB allocation |     |       |        |
| Band66A         | Band66A  | 65         | 10M           | 15M           | 132022 | 67261         | QPSK          | 1             | 0  | QPSK          | 50                      | 75  | 23.36 | Pass   |
|                 |          |            |               |               | 132022 | 67261         | QPSK          | 1             | 24 | QPSK          | 50                      | 75  | 22.85 | Pass   |
|                 |          |            |               |               | 132022 | 67261         | QPSK          | 1             | 49 | QPSK          | 50                      | 75  | 23.29 | Pass   |
|                 |          |            |               |               | 132022 | 67261         | QPSK          | 25            | 0  | QPSK          | 50                      | 75  | 22.33 | Pass   |
|                 |          |            |               |               | 132022 | 67261         | QPSK          | 25            | 12 | QPSK          | 50                      | 75  | 21.95 | Pass   |
|                 |          |            |               |               | 132022 | 67261         | QPSK          | 25            | 25 | QPSK          | 50                      | 75  | 22.15 | Pass   |
|                 |          |            |               |               | 132022 | 67261         | QPSK          | 50            | 0  | QPSK          | 50                      | 75  | 22.26 | Pass   |
| Band66A         | Band66A  | 65         | 15M           | 10M           | 132047 | 67286         | QPSK          | 1             | 0  | QPSK          | 75                      | 50  | 23.21 | Pass   |
|                 |          |            |               |               | 132047 | 67286         | QPSK          | 1             | 37 | QPSK          | 75                      | 50  | 23.16 | Pass   |
|                 |          |            |               |               | 132047 | 67286         | QPSK          | 1             | 74 | QPSK          | 75                      | 50  | 23.01 | Pass   |
|                 |          |            |               |               | 132047 | 67286         | QPSK          | 36            | 0  | QPSK          | 75                      | 50  | 22.1  | Pass   |
|                 |          |            |               |               | 132047 | 67286         | QPSK          | 36            | 19 | QPSK          | 75                      | 50  | 22.11 | Pass   |
|                 |          |            |               |               | 132047 | 67286         | QPSK          | 36            | 39 | QPSK          | 75                      | 50  | 21.92 | Pass   |
|                 |          |            |               |               | 132047 | 67286         | QPSK          | 75            | 0  | QPSK          | 75                      | 50  | 22.3  | Pass   |
| Band66A         | Band66A  | 60         | 10M           | 20M           | 132022 | 67236         | QPSK          | 1             | 0  | QPSK          | 50                      | 100 | 23.27 | Pass   |
|                 |          |            |               |               | 132022 | 67236         | QPSK          | 1             | 24 | QPSK          | 50                      | 100 | 22.85 | Pass   |
|                 |          |            |               |               | 132022 | 67236         | QPSK          | 1             | 49 | QPSK          | 50                      | 100 | 23.28 | Pass   |
|                 |          |            |               |               | 132022 | 67236         | QPSK          | 25            | 0  | QPSK          | 50                      | 100 | 22.3  | Pass   |
|                 |          |            |               |               | 132022 | 67236         | QPSK          | 25            | 12 | QPSK          | 50                      | 100 | 22.01 | Pass   |
|                 |          |            |               |               | 132022 | 67236         | QPSK          | 25            | 25 | QPSK          | 50                      | 100 | 22.14 | Pass   |
|                 |          |            |               |               | 132022 | 67236         | QPSK          | 50            | 0  | QPSK          | 50                      | 100 | 22.19 | Pass   |
| Band66A         | Band66A  | 60         | 20M           | 10M           | 132072 | 67286         | QPSK          | 1             | 0  | QPSK          | 100                     | 50  | 23.36 | Pass   |
|                 |          |            |               |               | 132072 | 67286         | QPSK          | 1             | 49 | QPSK          | 100                     | 50  | 23.08 | Pass   |
|                 |          |            |               |               | 132072 | 67286         | QPSK          | 1             | 99 | QPSK          | 100                     | 50  | 22.98 | Pass   |
|                 |          |            |               |               | 132072 | 67286         | QPSK          | 50            | 0  | QPSK          | 100                     | 50  | 21.97 | Pass   |
|                 |          |            |               |               | 132072 | 67286         | QPSK          | 50            | 25 | QPSK          | 100                     | 50  | 22.12 | Pass   |
|                 |          |            |               |               | 132072 | 67286         | QPSK          | 50            | 50 | QPSK          | 100                     | 50  | 21.97 | Pass   |
|                 |          |            |               |               | 132072 | 67286         | QPSK          | 100           | 0  | QPSK          | 100                     | 50  | 21.96 | Pass   |



| Test Parameters |          |            |               |               |        | UL Allocation |               |               |    | DL Allocation |                         |     | Value | Result |
|-----------------|----------|------------|---------------|---------------|--------|---------------|---------------|---------------|----|---------------|-------------------------|-----|-------|--------|
| PCC Band        | SCC Band | Wgap [MHz] | PCC Bandwidth | SCC Bandwidth | PCC CH | SCC CH        | CC Modulation | PCC NRB_alloc |    | CC Modulation | PCC & SCC RB allocation |     |       |        |
| Band66A         | Band66A  | 60         | 15M           | 15M           | 132047 | 67261         | QPSK          | 1             | 0  | QPSK          | 75                      | 75  | 23.28 | Pass   |
|                 |          |            |               |               | 132047 | 67261         | QPSK          | 1             | 37 | QPSK          | 75                      | 75  | 23.2  | Pass   |
|                 |          |            |               |               | 132047 | 67261         | QPSK          | 1             | 74 | QPSK          | 75                      | 75  | 23.11 | Pass   |
|                 |          |            |               |               | 132047 | 67261         | QPSK          | 36            | 0  | QPSK          | 75                      | 75  | 22.27 | Pass   |
|                 |          |            |               |               | 132047 | 67261         | QPSK          | 36            | 19 | QPSK          | 75                      | 75  | 22.2  | Pass   |
|                 |          |            |               |               | 132047 | 67261         | QPSK          | 36            | 39 | QPSK          | 75                      | 75  | 21.96 | Pass   |
|                 |          |            |               |               | 132047 | 67261         | QPSK          | 75            | 0  | QPSK          | 75                      | 75  | 22.2  | Pass   |
| Band66A         | Band66A  | 55         | 15M           | 20M           | 132047 | 67236         | QPSK          | 1             | 0  | QPSK          | 75                      | 100 | 23.28 | Pass   |
|                 |          |            |               |               | 132047 | 67236         | QPSK          | 1             | 37 | QPSK          | 75                      | 100 | 23.13 | Pass   |
|                 |          |            |               |               | 132047 | 67236         | QPSK          | 1             | 74 | QPSK          | 75                      | 100 | 22.93 | Pass   |
|                 |          |            |               |               | 132047 | 67236         | QPSK          | 36            | 0  | QPSK          | 75                      | 100 | 22.28 | Pass   |
|                 |          |            |               |               | 132047 | 67236         | QPSK          | 36            | 19 | QPSK          | 75                      | 100 | 22.07 | Pass   |
|                 |          |            |               |               | 132047 | 67236         | QPSK          | 36            | 39 | QPSK          | 75                      | 100 | 21.92 | Pass   |
|                 |          |            |               |               | 132047 | 67236         | QPSK          | 75            | 0  | QPSK          | 75                      | 100 | 22.21 | Pass   |
| Band66A         | Band66A  | 55         | 20M           | 15M           | 132072 | 67261         | QPSK          | 1             | 0  | QPSK          | 100                     | 75  | 23.38 | Pass   |
|                 |          |            |               |               | 132072 | 67261         | QPSK          | 1             | 49 | QPSK          | 100                     | 75  | 22.9  | Pass   |
|                 |          |            |               |               | 132072 | 67261         | QPSK          | 1             | 99 | QPSK          | 100                     | 75  | 22.96 | Pass   |
|                 |          |            |               |               | 132072 | 67261         | QPSK          | 50            | 0  | QPSK          | 100                     | 75  | 22.09 | Pass   |
|                 |          |            |               |               | 132072 | 67261         | QPSK          | 50            | 25 | QPSK          | 100                     | 75  | 22.08 | Pass   |
|                 |          |            |               |               | 132072 | 67261         | QPSK          | 50            | 50 | QPSK          | 100                     | 75  | 21.86 | Pass   |
|                 |          |            |               |               | 132072 | 67261         | QPSK          | 100           | 0  | QPSK          | 100                     | 75  | 21.95 | Pass   |
| Band66A         | Band66A  | 50         | 20M           | 20M           | 132072 | 67236         | QPSK          | 1             | 0  | QPSK          | 100                     | 100 | 23.29 | Pass   |
|                 |          |            |               |               | 132072 | 67236         | QPSK          | 1             | 49 | QPSK          | 100                     | 100 | 22.96 | Pass   |
|                 |          |            |               |               | 132072 | 67236         | QPSK          | 1             | 99 | QPSK          | 100                     | 100 | 23.01 | Pass   |
|                 |          |            |               |               | 132072 | 67236         | QPSK          | 50            | 0  | QPSK          | 100                     | 100 | 22.16 | Pass   |
|                 |          |            |               |               | 132072 | 67236         | QPSK          | 50            | 25 | QPSK          | 100                     | 100 | 22.17 | Pass   |
|                 |          |            |               |               | 132072 | 67236         | QPSK          | 50            | 50 | QPSK          | 100                     | 100 | 21.97 | Pass   |
|                 |          |            |               |               | 132072 | 67236         | QPSK          | 100           | 0  | QPSK          | 100                     | 100 | 21.99 | Pass   |



**Effective Radiated Power / Equivalent Isotropic Radiated Power**

| Band 2            |            |                 |             |                  |                         |              |              |           |
|-------------------|------------|-----------------|-------------|------------------|-------------------------|--------------|--------------|-----------|
| Channel Bandwidth | Modulation | Frequency (MHz) | Ant. Polar. | Read Level (dBm) | Correction Factor (dBm) | E.I.R.P.     |              | Limit (W) |
|                   |            |                 |             |                  |                         | (dBm)        | (W)          |           |
| 1.4 M             | QPSK       | 1850.7          | H           | 14.49            | 8.41                    | 22.90        | 0.195        | ≤ 2       |
|                   |            |                 | V           | 12.06            | 8.41                    | 20.47        | 0.111        | ≤ 2       |
|                   |            | 1880.0          | H           | 14.48            | 8.53                    | <b>23.01</b> | <b>0.200</b> | ≤ 2       |
|                   |            |                 | V           | 12.79            | 8.53                    | 21.32        | 0.136        | ≤ 2       |
|                   |            | 1909.3          | H           | 14.05            | 8.63                    | 22.68        | 0.185        | ≤ 2       |
|                   |            |                 | V           | 11.91            | 8.63                    | 20.54        | 0.113        | ≤ 2       |
| 16QAM             | 1880.0     | H               | 12.91       | 8.52             | <b>21.43</b>            | <b>0.139</b> | ≤ 2          |           |
|                   |            | V               | 11.41       | 8.52             | 19.93                   | 0.098        | ≤ 2          |           |
| 3 M               | QPSK       | 1851.5          | H           | 14.21            | 8.41                    | 22.62        | 0.183        | ≤ 2       |
|                   |            |                 | V           | 11.94            | 8.41                    | 20.35        | 0.108        | ≤ 2       |
|                   |            | 1880.0          | H           | 14.71            | 8.52                    | <b>23.23</b> | <b>0.210</b> | ≤ 2       |
|                   |            |                 | V           | 12.72            | 8.52                    | 21.24        | 0.133        | ≤ 2       |
|                   |            | 1908.5          | H           | 13.77            | 8.64                    | 22.41        | 0.174        | ≤ 2       |
|                   |            |                 | V           | 12.01            | 8.64                    | 20.65        | 0.116        | ≤ 2       |
| 16QAM             | 1880.0     | H               | 13.15       | 8.53             | <b>21.68</b>            | <b>0.147</b> | ≤ 2          |           |
|                   |            | V               | 10.98       | 8.52             | 19.50                   | 0.089        | ≤ 2          |           |
| 5 M               | QPSK       | 1852.5          | H           | 14.83            | 8.41                    | <b>23.24</b> | <b>0.211</b> | ≤ 2       |
|                   |            |                 | V           | 12.96            | 8.41                    | 21.37        | 0.137        | ≤ 2       |
|                   |            | 1880.0          | H           | 13.88            | 8.52                    | 22.40        | 0.174        | ≤ 2       |
|                   |            |                 | V           | 12.19            | 8.52                    | 20.71        | 0.118        | ≤ 2       |
|                   |            | 1907.5          | H           | 13.98            | 8.63                    | 22.61        | 0.182        | ≤ 2       |
|                   |            |                 | V           | 11.84            | 8.62                    | 20.46        | 0.111        | ≤ 2       |
| 16QAM             | 1880.0     | H               | 12.44       | 8.52             | <b>20.96</b>            | <b>0.125</b> | ≤ 2          |           |
|                   |            | V               | 10.84       | 8.52             | 19.36                   | 0.086        | ≤ 2          |           |
| 10 M              | QPSK       | 1855.0          | H           | 13.93            | 8.41                    | 22.34        | 0.171        | ≤ 2       |
|                   |            |                 | V           | 12.13            | 8.41                    | 20.54        | 0.113        | ≤ 2       |
|                   |            | 1880.0          | H           | 14.68            | 8.52                    | <b>23.20</b> | <b>0.209</b> | ≤ 2       |
|                   |            |                 | V           | 12.92            | 8.52                    | 21.44        | 0.139        | ≤ 2       |
|                   |            | 1905.0          | H           | 13.90            | 8.61                    | 22.51        | 0.178        | ≤ 2       |
|                   |            |                 | V           | 12.11            | 8.61                    | 20.72        | 0.118        | ≤ 2       |
| 16QAM             | 1880.0     | H               | 13.14       | 8.52             | <b>21.66</b>            | <b>0.147</b> | ≤ 2          |           |
|                   |            | V               | 11.20       | 8.50             | 19.70                   | 0.093        | ≤ 2          |           |
| 15 M              | QPSK       | 1857.5          | H           | 13.72            | 8.42                    | 22.14        | 0.164        | ≤ 2       |
|                   |            |                 | V           | 11.78            | 8.41                    | 20.19        | 0.104        | ≤ 2       |
|                   |            | 1880.0          | H           | 14.12            | 8.49                    | 22.61        | 0.182        | ≤ 2       |
|                   |            |                 | V           | 11.74            | 8.49                    | 20.23        | 0.105        | ≤ 2       |
|                   |            | 1902.5          | H           | 14.78            | 8.58                    | <b>23.36</b> | <b>0.217</b> | ≤ 2       |
|                   |            |                 | V           | 13.01            | 8.58                    | 21.59        | 0.144        | ≤ 2       |
| 16QAM             | 1880.0     | H               | 12.48       | 8.50             | <b>20.98</b>            | <b>0.125</b> | ≤ 2          |           |
|                   |            | V               | 10.42       | 8.50             | 18.92                   | 0.078        | ≤ 2          |           |
| 20 M              | QPSK       | 1860.0          | H           | 14.05            | 8.42                    | 22.47        | 0.177        | ≤ 2       |
|                   |            |                 | V           | 11.82            | 8.41                    | 20.23        | 0.105        | ≤ 2       |
|                   |            | 1880.0          | H           | 15.03            | 8.49                    | <b>23.52</b> | <b>0.225</b> | ≤ 2       |
|                   |            |                 | V           | 12.97            | 8.49                    | 21.46        | 0.140        | ≤ 2       |
|                   |            | 1900.0          | H           | 13.94            | 8.58                    | 22.52        | 0.179        | ≤ 2       |
|                   |            |                 | V           | 11.94            | 8.58                    | 20.52        | 0.113        | ≤ 2       |
| 16QAM             | 1880.0     | H               | 12.99       | 8.49             | <b>21.48</b>            | <b>0.141</b> | ≤ 2          |           |
|                   |            | V               | 11.25       | 8.49             | 19.74                   | 0.094        | ≤ 2          |           |



| Band 4            |            |                 |             |                  |                         |              |              |           |
|-------------------|------------|-----------------|-------------|------------------|-------------------------|--------------|--------------|-----------|
| Channel Bandwidth | Modulation | Frequency (MHz) | Ant. Polar. | Read Level (dBm) | Correction Factor (dBm) | E.I.R.P.     |              | Limit (W) |
|                   |            |                 |             |                  |                         | (dBm)        | (W)          |           |
| 1.4 M             | QPSK       | 1710.7          | H           | 15.56            | 7.86                    | <b>23.42</b> | <b>0.220</b> | ≤ 1       |
|                   |            |                 | V           | 13.47            | 7.86                    | 21.33        | 0.136        | ≤ 1       |
|                   |            | 1732.5          | H           | 14.62            | 7.95                    | 22.57        | 0.181        | ≤ 1       |
|                   |            |                 | V           | 12.53            | 7.95                    | 20.48        | 0.112        | ≤ 1       |
|                   |            | 1754.3          | H           | 14.66            | 8.03                    | 22.69        | 0.186        | ≤ 1       |
|                   |            |                 | V           | 12.55            | 8.03                    | 20.58        | 0.114        | ≤ 1       |
| 16QAM             | 1732.5     | H               | 13.04       | 7.95             | <b>20.99</b>            | <b>0.126</b> | ≤ 1          |           |
|                   |            | V               | 11.07       | 7.95             | 19.02                   | 0.080        | ≤ 1          |           |
| 3 M               | QPSK       | 1711.5          | H           | 15.13            | 7.86                    | 22.99        | 0.199        | ≤ 1       |
|                   |            |                 | V           | 13.03            | 7.86                    | 20.89        | 0.123        | ≤ 1       |
|                   |            | 1732.5          | H           | 14.66            | 7.95                    | 22.61        | 0.182        | ≤ 1       |
|                   |            |                 | V           | 12.98            | 7.95                    | 20.93        | 0.124        | ≤ 1       |
|                   |            | 1753.5          | H           | 15.00            | 8.01                    | <b>23.01</b> | <b>0.200</b> | ≤ 1       |
|                   |            |                 | V           | 12.55            | 8.01                    | 20.56        | 0.114        | ≤ 1       |
| 16QAM             | 1732.5     | H               | 12.82       | 7.95             | <b>20.77</b>            | <b>0.119</b> | ≤ 1          |           |
|                   |            | V               | 11.13       | 7.95             | 19.08                   | 0.081        | ≤ 1          |           |
| 5 M               | QPSK       | 1712.5          | H           | 15.40            | 7.86                    | <b>23.26</b> | <b>0.212</b> | ≤ 1       |
|                   |            |                 | V           | 13.37            | 7.86                    | 21.23        | 0.133        | ≤ 1       |
|                   |            | 1732.5          | H           | 14.49            | 7.93                    | 22.42        | 0.175        | ≤ 1       |
|                   |            |                 | V           | 12.66            | 7.93                    | 20.59        | 0.115        | ≤ 1       |
|                   |            | 1752.5          | H           | 14.89            | 8.01                    | 22.90        | 0.195        | ≤ 1       |
|                   |            |                 | V           | 12.17            | 8.01                    | 20.18        | 0.104        | ≤ 1       |
| 16QAM             | 1732.5     | H               | 12.98       | 7.93             | <b>20.91</b>            | <b>0.123</b> | ≤ 1          |           |
|                   |            | V               | 11.18       | 7.93             | 19.11                   | 0.081        | ≤ 1          |           |
| 10 M              | QPSK       | 1715.0          | H           | 14.36            | 7.86                    | 22.22        | 0.167        | ≤ 1       |
|                   |            |                 | V           | 13.03            | 7.86                    | 20.89        | 0.123        | ≤ 1       |
|                   |            | 1732.5          | H           | 14.44            | 7.92                    | 22.36        | 0.172        | ≤ 1       |
|                   |            |                 | V           | 12.55            | 7.92                    | 20.47        | 0.111        | ≤ 1       |
|                   |            | 1750.0          | H           | 15.03            | 7.99                    | <b>23.02</b> | <b>0.200</b> | ≤ 1       |
|                   |            |                 | V           | 12.79            | 7.99                    | 20.78        | 0.120        | ≤ 1       |
| 16QAM             | 1732.5     | H               | 12.66       | 7.92             | <b>20.58</b>            | <b>0.114</b> | ≤ 1          |           |
|                   |            | V               | 11.04       | 7.92             | 18.96                   | 0.079        | ≤ 1          |           |
| 15 M              | QPSK       | 1717.5          | H           | 15.40            | 7.86                    | <b>23.26</b> | <b>0.212</b> | ≤ 1       |
|                   |            |                 | V           | 13.52            | 7.86                    | 21.38        | 0.137        | ≤ 1       |
|                   |            | 1732.5          | H           | 14.49            | 7.92                    | 22.41        | 0.174        | ≤ 1       |
|                   |            |                 | V           | 12.67            | 7.92                    | 20.59        | 0.115        | ≤ 1       |
|                   |            | 1747.5          | H           | 14.87            | 7.97                    | 22.84        | 0.192        | ≤ 1       |
|                   |            |                 | V           | 12.15            | 7.97                    | 20.12        | 0.103        | ≤ 1       |
| 16QAM             | 1732.5     | H               | 12.31       | 7.92             | <b>20.23</b>            | <b>0.105</b> | ≤ 1          |           |
|                   |            | V               | 10.80       | 7.92             | 18.72                   | 0.074        | ≤ 1          |           |
| 20 M              | QPSK       | 1720.0          | H           | 15.24            | 7.86                    | <b>23.10</b> | <b>0.204</b> | ≤ 1       |
|                   |            |                 | V           | 13.85            | 7.86                    | 21.71        | 0.148        | ≤ 1       |
|                   |            | 1732.5          | H           | 14.84            | 7.91                    | 22.75        | 0.188        | ≤ 1       |
|                   |            |                 | V           | 12.47            | 7.91                    | 20.38        | 0.109        | ≤ 1       |
|                   |            | 1745.0          | H           | 14.57            | 7.95                    | 22.52        | 0.179        | ≤ 1       |
|                   |            |                 | V           | 12.39            | 7.95                    | 20.34        | 0.108        | ≤ 1       |
| 16QAM             | 1732.5     | H               | 13.10       | 7.90             | <b>21.00</b>            | <b>0.126</b> | ≤ 1          |           |
|                   |            | V               | 11.30       | 7.91             | 19.21                   | 0.083        | ≤ 1          |           |





| Band 5            |            |                 |             |                  |                         |              |              |           |
|-------------------|------------|-----------------|-------------|------------------|-------------------------|--------------|--------------|-----------|
| Channel Bandwidth | Modulation | Frequency (MHz) | Ant. Polar. | Read Level (dBm) | Correction Factor (dBm) | E.R.P.       |              | Limit (W) |
|                   |            |                 |             |                  |                         | (dBm)        | (W)          |           |
| 1.4 M             | QPSK       | 824.7           | H           | 11.95            | 10.89                   | <b>22.84</b> | <b>0.192</b> | ≤ 7       |
|                   |            |                 | V           | 9.86             | 10.91                   | 20.77        | 0.119        | ≤ 7       |
|                   |            | 836.5           | H           | 11.30            | 11.07                   | 22.37        | 0.173        | ≤ 7       |
|                   |            |                 | V           | 9.39             | 11.10                   | 20.49        | 0.112        | ≤ 7       |
|                   |            | 848.3           | H           | 11.02            | 11.28                   | 22.30        | 0.170        | ≤ 7       |
|                   |            |                 | V           | 9.33             | 11.28                   | 20.61        | 0.115        | ≤ 7       |
|                   | 16QAM      | 836.5           | H           | 9.85             | 11.07                   | <b>20.92</b> | <b>0.124</b> | ≤ 7       |
|                   |            |                 | V           | 8.04             | 11.10                   | 19.14        | 0.082        | ≤ 7       |
| 3 M               | QPSK       | 825.5           | H           | 11.90            | 10.92                   | <b>22.82</b> | <b>0.191</b> | ≤ 7       |
|                   |            |                 | V           | 9.94             | 10.89                   | 20.83        | 0.121        | ≤ 7       |
|                   |            | 836.5           | H           | 11.22            | 11.07                   | 22.29        | 0.169        | ≤ 7       |
|                   |            |                 | V           | 9.24             | 11.07                   | 20.31        | 0.107        | ≤ 7       |
|                   |            | 847.5           | H           | 10.98            | 11.24                   | 22.22        | 0.167        | ≤ 7       |
|                   |            |                 | V           | 9.23             | 11.24                   | 20.47        | 0.111        | ≤ 7       |
|                   | 16QAM      | 836.5           | H           | 9.42             | 11.07                   | <b>20.49</b> | <b>0.112</b> | ≤ 7       |
|                   |            |                 | V           | 8.34             | 11.07                   | 19.41        | 0.087        | ≤ 7       |
| 5 M               | QPSK       | 826.5           | H           | 11.32            | 10.91                   | 22.23        | 0.167        | ≤ 7       |
|                   |            |                 | V           | 9.50             | 10.90                   | 20.40        | 0.110        | ≤ 7       |
|                   |            | 836.5           | H           | 11.41            | 11.07                   | <b>22.48</b> | <b>0.177</b> | ≤ 7       |
|                   |            |                 | V           | 9.39             | 11.07                   | 20.46        | 0.111        | ≤ 7       |
|                   |            | 846.5           | H           | 11.10            | 11.21                   | 22.31        | 0.170        | ≤ 7       |
|                   |            |                 | V           | 9.33             | 11.21                   | 20.54        | 0.113        | ≤ 7       |
|                   | 16QAM      | 836.5           | H           | 9.68             | 11.07                   | <b>20.75</b> | <b>0.119</b> | ≤ 7       |
|                   |            |                 | V           | 7.87             | 11.07                   | 18.94        | 0.078        | ≤ 7       |
| 10 M              | QPSK       | 829.0           | H           | 11.71            | 10.91                   | 22.62        | 0.183        | ≤ 7       |
|                   |            |                 | V           | 9.88             | 10.91                   | 20.79        | 0.120        | ≤ 7       |
|                   |            | 836.5           | H           | 11.22            | 11.03                   | 22.25        | 0.168        | ≤ 7       |
|                   |            |                 | V           | 9.18             | 11.03                   | 20.21        | 0.105        | ≤ 7       |
|                   |            | 844.0           | H           | 11.56            | 11.15                   | <b>22.71</b> | <b>0.187</b> | ≤ 7       |
|                   |            |                 | V           | 9.59             | 11.14                   | 20.73        | 0.118        | ≤ 7       |
|                   | 16QAM      | 836.5           | H           | 9.72             | 11.03                   | <b>20.75</b> | <b>0.119</b> | ≤ 7       |
|                   |            |                 | V           | 7.72             | 11.03                   | 18.75        | 0.075        | ≤ 7       |



| Band 7            |            |                 |             |                  |                         |              |              |           |
|-------------------|------------|-----------------|-------------|------------------|-------------------------|--------------|--------------|-----------|
| Channel Bandwidth | Modulation | Frequency (MHz) | Ant. Polar. | Read Level (dBm) | Correction Factor (dBm) | E.I.R.P.     |              | Limit (W) |
|                   |            |                 |             |                  |                         | (dBm)        | (W)          |           |
| 5 M               | QPSK       | 2502.5          | H           | 11.50            | 10.88                   | 22.38        | 0.173        | ≤ 2       |
|                   |            |                 | V           | 9.52             | 10.88                   | 20.40        | 0.110        | ≤ 2       |
|                   |            | 2535.0          | H           | 11.41            | 10.97                   | 22.38        | 0.173        | ≤ 2       |
|                   |            |                 | V           | 9.51             | 10.97                   | 20.48        | 0.112        | ≤ 2       |
|                   |            | 2567.5          | H           | 11.57            | 11.07                   | <b>22.64</b> | <b>0.184</b> | ≤ 2       |
|                   |            |                 | V           | 9.92             | 11.07                   | 20.99        | 0.126        | ≤ 2       |
|                   | 16QAM      | 2535.0          | H           | 10.20            | 10.97                   | <b>21.17</b> | <b>0.131</b> | ≤ 2       |
|                   |            |                 | V           | 7.97             | 10.97                   | 18.94        | 0.078        | ≤ 2       |
| 10 M              | QPSK       | 2505.0          | H           | 11.28            | 10.88                   | 22.16        | 0.164        | ≤ 2       |
|                   |            |                 | V           | 9.73             | 10.88                   | 20.61        | 0.115        | ≤ 2       |
|                   |            | 2535.0          | H           | 11.29            | 10.97                   | 22.26        | 0.168        | ≤ 2       |
|                   |            |                 | V           | 9.34             | 10.97                   | 20.31        | 0.107        | ≤ 2       |
|                   |            | 2565.0          | H           | 12.32            | 11.06                   | <b>23.38</b> | <b>0.218</b> | ≤ 2       |
|                   |            |                 | V           | 9.98             | 11.06                   | 21.04        | 0.127        | ≤ 2       |
|                   | 16QAM      | 2535.0          | H           | 9.75             | 10.97                   | <b>20.72</b> | <b>0.118</b> | ≤ 2       |
|                   |            |                 | V           | 7.79             | 10.97                   | 18.76        | 0.075        | ≤ 2       |
| 15 M              | QPSK       | 2507.5          | H           | 11.46            | 10.88                   | 22.34        | 0.171        | ≤ 2       |
|                   |            |                 | V           | 9.33             | 10.88                   | 20.21        | 0.105        | ≤ 2       |
|                   |            | 2535.0          | H           | 12.35            | 10.96                   | <b>23.31</b> | <b>0.214</b> | ≤ 2       |
|                   |            |                 | V           | 10.25            | 10.96                   | 21.21        | 0.132        | ≤ 2       |
|                   |            | 2562.5          | H           | 11.46            | 11.04                   | 22.50        | 0.178        | ≤ 2       |
|                   |            |                 | V           | 9.53             | 11.04                   | 20.57        | 0.114        | ≤ 2       |
|                   | 16QAM      | 2535.0          | H           | 10.21            | 10.96                   | <b>21.17</b> | <b>0.131</b> | ≤ 2       |
|                   |            |                 | V           | 8.29             | 10.96                   | 19.25        | 0.084        | ≤ 2       |
| 20 M              | QPSK       | 2510.0          | H           | 11.40            | 10.88                   | 22.28        | 0.169        | ≤ 2       |
|                   |            |                 | V           | 9.36             | 10.88                   | 20.24        | 0.106        | ≤ 2       |
|                   |            | 2535.0          | H           | 12.53            | 10.95                   | <b>23.48</b> | <b>0.223</b> | ≤ 2       |
|                   |            |                 | V           | 10.22            | 10.95                   | 21.17        | 0.131        | ≤ 2       |
|                   |            | 2560.0          | H           | 11.32            | 11.03                   | 22.35        | 0.172        | ≤ 2       |
|                   |            |                 | V           | 9.77             | 11.03                   | 20.80        | 0.120        | ≤ 2       |
|                   | 16QAM      | 2535.0          | H           | 10.75            | 10.95                   | <b>21.70</b> | <b>0.148</b> | ≤ 2       |
|                   |            |                 | V           | 8.93             | 10.95                   | 19.88        | 0.097        | ≤ 2       |



| Band 12           |            |                 |             |                  |                         |              |              |           |
|-------------------|------------|-----------------|-------------|------------------|-------------------------|--------------|--------------|-----------|
| Channel Bandwidth | Modulation | Frequency (MHz) | Ant. Polar. | Read Level (dBm) | Correction Factor (dBm) | E.R.P.       |              | Limit (W) |
|                   |            |                 |             |                  |                         | (dBm)        | (W)          |           |
| 1.4 M             | QPSK       | 699.7           | H           | 13.48            | 8.88                    | 22.36        | 0.172        | ≤ 3       |
|                   |            |                 | V           | 11.75            | 8.88                    | 20.63        | 0.116        | ≤ 3       |
|                   |            | 707.5           | H           | 13.34            | 9.03                    | 22.37        | 0.173        | ≤ 3       |
|                   |            |                 | V           | 11.20            | 9.01                    | 20.21        | 0.105        | ≤ 3       |
|                   |            | 715.3           | H           | 13.50            | 9.16                    | <b>22.66</b> | <b>0.185</b> | ≤ 3       |
|                   |            |                 | V           | 11.63            | 9.17                    | 20.80        | 0.120        | ≤ 3       |
| 16QAM             | 707.5      | H               | 11.79       | 9.01             | <b>20.80</b>            | <b>0.120</b> | ≤ 3          |           |
|                   |            | V               | 10.07       | 9.03             | 19.10                   | 0.081        | ≤ 3          |           |
| 3 M               | QPSK       | 700.5           | H           | 13.55            | 8.88                    | 22.43        | 0.175        | ≤ 3       |
|                   |            |                 | V           | 11.50            | 8.88                    | 20.38        | 0.109        | ≤ 3       |
|                   |            | 707.5           | H           | 13.67            | 9.01                    | <b>22.68</b> | <b>0.185</b> | ≤ 3       |
|                   |            |                 | V           | 11.21            | 9.00                    | 20.21        | 0.105        | ≤ 3       |
|                   |            | 714.5           | H           | 13.19            | 9.14                    | 22.33        | 0.171        | ≤ 3       |
|                   |            |                 | V           | 11.15            | 9.13                    | 20.28        | 0.107        | ≤ 3       |
| 16QAM             | 707.5      | H               | 12.07       | 9.01             | <b>21.08</b>            | <b>0.128</b> | ≤ 3          |           |
|                   |            | V               | 10.22       | 9.00             | 19.22                   | 0.084        | ≤ 3          |           |
| 5 M               | QPSK       | 701.5           | H           | 13.58            | 8.88                    | 22.46        | 0.176        | ≤ 3       |
|                   |            |                 | V           | 11.62            | 8.88                    | 20.50        | 0.112        | ≤ 3       |
|                   |            | 707.5           | H           | 13.14            | 8.99                    | 22.13        | 0.163        | ≤ 3       |
|                   |            |                 | V           | 11.24            | 8.99                    | 20.23        | 0.105        | ≤ 3       |
|                   |            | 713.5           | H           | 13.49            | 9.09                    | <b>22.58</b> | <b>0.181</b> | ≤ 3       |
|                   |            |                 | V           | 11.47            | 9.09                    | 20.56        | 0.114        | ≤ 3       |
| 16QAM             | 707.5      | H               | 11.50       | 8.99             | <b>20.49</b>            | <b>0.112</b> | ≤ 3          |           |
|                   |            | V               | 10.18       | 8.99             | 19.17                   | 0.083        | ≤ 3          |           |
| 10 M              | QPSK       | 704.0           | H           | 13.72            | 8.88                    | 22.60        | 0.182        | ≤ 3       |
|                   |            |                 | V           | 11.33            | 8.89                    | 20.22        | 0.105        | ≤ 3       |
|                   |            | 707.5           | H           | 13.64            | 8.95                    | 22.59        | 0.182        | ≤ 3       |
|                   |            |                 | V           | 11.39            | 8.95                    | 20.34        | 0.108        | ≤ 3       |
|                   |            | 711.0           | H           | 13.88            | 9.01                    | <b>22.89</b> | <b>0.195</b> | ≤ 3       |
|                   |            |                 | V           | 11.70            | 9.01                    | 20.71        | 0.118        | ≤ 3       |
| 16QAM             | 707.5      | H               | 12.08       | 8.95             | <b>21.03</b>            | <b>0.127</b> | ≤ 3          |           |
|                   |            | V               | 9.96        | 8.95             | 18.91                   | 0.078        | ≤ 3          |           |



| Band 30           |            |                 |             |                  |                         |              |              |              |
|-------------------|------------|-----------------|-------------|------------------|-------------------------|--------------|--------------|--------------|
| Channel Bandwidth | Modulation | Frequency (MHz) | Ant. Polar. | Read Level (dBm) | Correction Factor (dBm) | E.R.P.       |              | Limit (W)    |
|                   |            |                 |             |                  |                         | (dBm)        | (W)          |              |
| 5 M               | QPSK       | 2307.5          | H           | 13.05            | 10.14                   | <b>23.19</b> | <b>0.208</b> | ≤ 0.25/5 MHz |
|                   |            |                 | V           | 10.55            | 10.14                   | 20.69        | 0.117        | ≤ 0.25/5 MHz |
|                   |            | 2310.0          | H           | 12.33            | 10.15                   | 22.48        | 0.177        | ≤ 0.25/5 MHz |
|                   |            |                 | V           | 10.31            | 10.15                   | 20.46        | 0.111        | ≤ 0.25/5 MHz |
|                   |            | 2312.5          | H           | 12.23            | 10.17                   | 22.40        | 0.174        | ≤ 0.25/5 MHz |
|                   |            |                 | V           | 10.65            | 10.17                   | 20.82        | 0.121        | ≤ 0.25/5 MHz |
|                   | 16QAM      | 2307.5          | H           | 10.88            | 10.14                   | <b>21.02</b> | <b>0.126</b> | ≤ 0.25/5 MHz |
|                   |            |                 | V           | 8.97             | 10.14                   | 19.11        | 0.081        | ≤ 0.25/5 MHz |
|                   |            | 2310.0          | H           | 10.64            | 10.17                   | 20.81        | 0.121        | ≤ 0.25/5 MHz |
|                   |            |                 | V           | 8.44             | 10.17                   | 18.61        | 0.073        | ≤ 0.25/5 MHz |
|                   |            | 2312.5          | H           | 10.68            | 10.15                   | 20.83        | 0.121        | ≤ 0.25/5 MHz |
|                   |            |                 | V           | 8.76             | 10.15                   | 18.91        | 0.078        | ≤ 0.25/5 MHz |
| 10 M              | QPSK       | 2310.0          | H           | 12.93            | 10.14                   | <b>23.07</b> | <b>0.203</b> | ≤ 0.25/5 MHz |
|                   |            |                 | V           | 10.90            | 10.15                   | 21.05        | 0.127        | ≤ 0.25/5 MHz |
|                   | 16QAM      |                 | H           | 11.08            | 10.15                   | <b>21.23</b> | <b>0.133</b> | ≤ 0.25/5 MHz |
|                   |            |                 | V           | 9.51             | 10.15                   | 19.66        | 0.092        | ≤ 0.25/5 MHz |



| Band 66           |            |                 |             |                  |                         |              |              |           |
|-------------------|------------|-----------------|-------------|------------------|-------------------------|--------------|--------------|-----------|
| Channel Bandwidth | Modulation | Frequency (MHz) | Ant. Polar. | Read Level (dBm) | Correction Factor (dBm) | E.I.R.P.     |              | Limit (W) |
|                   |            |                 |             |                  |                         | (dBm)        | (W)          |           |
| 1.4 M             | QPSK       | 131979.0        | H           | 15.78            | 7.86                    | <b>23.64</b> | <b>0.231</b> | ≤ 1       |
|                   |            |                 | V           | 13.30            | 7.86                    | 21.16        | 0.131        | ≤ 1       |
|                   |            | 132197.0        | H           | 14.79            | 7.95                    | 22.74        | 0.188        | ≤ 1       |
|                   |            |                 | V           | 14.49            | 7.95                    | 22.44        | 0.175        | ≤ 1       |
|                   |            | 132415.0        | H           | 14.71            | 8.04                    | 22.75        | 0.188        | ≤ 1       |
|                   |            |                 | V           | 12.57            | 8.04                    | 20.61        | 0.115        | ≤ 1       |
|                   | 16QAM      | 132197.0        | H           | 13.36            | 7.95                    | <b>21.31</b> | <b>0.135</b> | ≤ 1       |
|                   |            |                 | V           | 12.91            | 7.95                    | 20.86        | 0.122        | ≤ 1       |
| 3 M               | QPSK       | 131987.0        | H           | 15.20            | 7.86                    | <b>23.06</b> | <b>0.202</b> | ≤ 1       |
|                   |            |                 | V           | 13.15            | 7.86                    | 21.01        | 0.126        | ≤ 1       |
|                   |            | 132197.0        | H           | 14.27            | 7.94                    | 22.21        | 0.166        | ≤ 1       |
|                   |            |                 | V           | 12.44            | 7.95                    | 20.39        | 0.109        | ≤ 1       |
|                   |            | 132407.0        | H           | 14.36            | 8.01                    | 22.37        | 0.173        | ≤ 1       |
|                   |            |                 | V           | 12.56            | 8.01                    | 20.57        | 0.114        | ≤ 1       |
|                   | 16QAM      | 132197.0        | H           | 12.96            | 7.95                    | <b>20.91</b> | <b>0.123</b> | ≤ 1       |
|                   |            |                 | V           | 10.82            | 7.95                    | 18.77        | 0.075        | ≤ 1       |
| 5 M               | QPSK       | 131997.0        | H           | 15.11            | 7.86                    | <b>22.97</b> | <b>0.198</b> | ≤ 1       |
|                   |            |                 | V           | 13.10            | 7.86                    | 20.96        | 0.125        | ≤ 1       |
|                   |            | 132197.0        | H           | 14.63            | 7.93                    | <b>22.56</b> | <b>0.180</b> | ≤ 1       |
|                   |            |                 | V           | 12.48            | 7.93                    | 20.41        | 0.110        | ≤ 1       |
|                   |            | 132397.0        | H           | 14.39            | 8.01                    | 22.40        | 0.174        | ≤ 1       |
|                   |            |                 | V           | 12.14            | 8.01                    | 20.15        | 0.104        | ≤ 1       |
|                   | 16QAM      | 132197.0        | H           | 12.83            | 7.93                    | <b>20.76</b> | <b>0.119</b> | ≤ 1       |
|                   |            |                 | V           | 11.21            | 7.93                    | 19.14        | 0.082        | ≤ 1       |
| 10 M              | QPSK       | 132022.0        | H           | 14.46            | 7.86                    | 22.32        | 0.171        | ≤ 1       |
|                   |            |                 | V           | 12.43            | 7.86                    | 20.29        | 0.107        | ≤ 1       |
|                   |            | 132197.0        | H           | 14.20            | 7.92                    | 22.12        | 0.163        | ≤ 1       |
|                   |            |                 | V           | 12.38            | 7.92                    | 20.30        | 0.107        | ≤ 1       |
|                   |            | 132372.0        | H           | 14.89            | 7.99                    | <b>22.88</b> | <b>0.194</b> | ≤ 1       |
|                   |            |                 | V           | 12.64            | 7.99                    | 20.63        | 0.116        | ≤ 1       |
|                   | 16QAM      | 132197.0        | H           | 12.94            | 7.92                    | <b>20.86</b> | <b>0.122</b> | ≤ 1       |
|                   |            |                 | V           | 11.04            | 7.92                    | 18.96        | 0.079        | ≤ 1       |
| 15 M              | QPSK       | 132047.0        | H           | 14.94            | 7.86                    | 22.80        | 0.191        | ≤ 1       |
|                   |            |                 | V           | 13.16            | 7.86                    | 21.02        | 0.126        | ≤ 1       |
|                   |            | 132197.0        | H           | 14.59            | 7.92                    | 22.51        | 0.178        | ≤ 1       |
|                   |            |                 | V           | 12.54            | 7.92                    | 20.46        | 0.111        | ≤ 1       |
|                   |            | 132347.0        | H           | 14.68            | 7.97                    | 22.65        | 0.184        | ≤ 1       |
|                   |            |                 | V           | 12.59            | 7.97                    | 20.56        | 0.114        | ≤ 1       |
|                   | 16QAM      | 132197.0        | H           | 12.79            | 7.92                    | <b>20.71</b> | <b>0.118</b> | ≤ 1       |
|                   |            |                 | V           | 11.10            | 7.92                    | 19.02        | 0.080        | ≤ 1       |
| 20 M              | QPSK       | 132072.0        | H           | 15.37            | 7.86                    | <b>23.23</b> | <b>0.210</b> | ≤ 1       |
|                   |            |                 | V           | 13.09            | 7.86                    | 20.95        | 0.124        | ≤ 1       |
|                   |            | 132197.0        | H           | 14.48            | 7.91                    | 22.39        | 0.173        | ≤ 1       |
|                   |            |                 | V           | 12.58            | 7.91                    | 20.49        | 0.112        | ≤ 1       |
|                   |            | 132322.0        | H           | 14.19            | 7.95                    | 22.14        | 0.164        | ≤ 1       |
|                   |            |                 | V           | 12.81            | 7.95                    | 20.76        | 0.119        | ≤ 1       |
|                   | 16QAM      | 132197.0        | H           | 12.74            | 7.91                    | <b>20.65</b> | <b>0.116</b> | ≤ 1       |
|                   |            |                 | V           | 11.22            | 7.91                    | 19.13        | 0.082        | ≤ 1       |



## Radiated Emission

|              |                                       |                      |                |
|--------------|---------------------------------------|----------------------|----------------|
| Standard:    | Part 22H&24E&27                       | Test Distance:       | 3 m            |
| Test item:   | Harmonic                              | Power:               | AC 120 V/60 Hz |
| Frequency:   | 1850.7 MHz                            | Temp.(°C)/Hum.(%RH): | 26(°C)/60 %RH  |
| Mode:        | 4 G_BAND 2_1.4 M_QPSK_CH18607         |                      |                |
| Ant.Polar.:  | Horizontal                            |                      |                |
| Description: | AC Adapter : AD2083329 (30 MHz~1 GHz) |                      |                |

| No. | Frequency (MHz) | Reading (dBm) | Correct Factor (dB) | Result (dBm) | Limit (dBm) | Margin (dB) | Remark |
|-----|-----------------|---------------|---------------------|--------------|-------------|-------------|--------|
| 1   | 58.1300         | -67.89        | -3.25               | -71.14       | -13.00      | -58.14      | QP     |
| 2   | 125.0600        | -69.48        | -3.47               | -72.95       | -13.00      | -59.95      | QP     |
| 3   | 200.7200        | -67.77        | -5.73               | -73.50       | -13.00      | -60.50      | QP     |
| 4   | 275.4100        | -67.99        | -3.12               | -71.11       | -13.00      | -58.11      | QP     |
| 5   | 526.6400        | -73.40        | 0.38                | -73.02       | -13.00      | -60.02      | QP     |
| 6   | 711.9100        | -75.49        | 3.40                | -72.09       | -13.00      | -59.09      | QP     |

|              |                                       |                      |                |
|--------------|---------------------------------------|----------------------|----------------|
| Standard:    | Part 22H&24E&27                       | Test Distance:       | 3 m            |
| Test item:   | Harmonic                              | Power:               | AC 120 V/60 Hz |
| Frequency:   | 1850.7 MHz                            | Temp.(°C)/Hum.(%RH): | 26(°C)/60 %RH  |
| Mode:        | 4 G_BAND 2_1.4 M_QPSK_CH18607         |                      |                |
| Ant.Polar.:  | Vertical                              |                      |                |
| Description: | AC Adapter : AD2083329 (30 MHz~1 GHz) |                      |                |

| No. | Frequency (MHz) | Reading (dBm) | Correct Factor (dB) | Result (dBm) | Limit (dBm) | Margin (dB) | Remark |
|-----|-----------------|---------------|---------------------|--------------|-------------|-------------|--------|
| 1   | 62.0100         | -65.47        | -3.78               | -69.25       | -13.00      | -56.25      | QP     |
| 2   | 115.3600        | -67.98        | -4.31               | -72.29       | -13.00      | -59.29      | QP     |
| 3   | 275.4100        | -72.09        | -3.12               | -75.21       | -13.00      | -62.21      | QP     |
| 4   | 383.0800        | -74.25        | -1.47               | -75.72       | -13.00      | -62.72      | QP     |
| 5   | 522.7600        | -71.00        | 0.32                | -70.68       | -13.00      | -57.68      | QP     |
| 6   | 776.9000        | -75.14        | 4.31                | -70.83       | -13.00      | -57.83      | QP     |



|              |                                      |                      |                |
|--------------|--------------------------------------|----------------------|----------------|
| Standard:    | Part 22H&24E&27                      | Test Distance:       | 3 m            |
| Test item:   | Harmonic                             | Power:               | AC 120 V/60 Hz |
| Frequency:   | 1850.7 MHz                           | Temp.(°C)/Hum.(%RH): | 26(°C)/60 %RH  |
| Mode:        | 4 G_BAND 2_1.4 M_QPSK_CH18607        |                      |                |
| Ant.Polar.:  | Horizontal                           |                      |                |
| Description: | AC Adapter : 2ACS005B (30 MHz~1 GHz) |                      |                |

| No. | Frequency (MHz) | Reading (dBm) | Correct Factor (dB) | Result (dBm) | Limit (dBm) | Margin (dB) | Remark |
|-----|-----------------|---------------|---------------------|--------------|-------------|-------------|--------|
| 1   | 78.5000         | -63.56        | -6.61               | -70.17       | -13.00      | -57.17      | QP     |
| 2   | 150.2800        | -72.79        | -1.71               | -74.50       | -13.00      | -61.50      | QP     |
| 3   | 225.9400        | -67.43        | -4.56               | -71.99       | -13.00      | -58.99      | QP     |
| 4   | 321.0000        | -72.87        | -2.09               | -74.96       | -13.00      | -61.96      | QP     |
| 5   | 400.5400        | -72.89        | -1.33               | -74.22       | -13.00      | -61.22      | QP     |
| 6   | 651.7700        | -75.00        | 2.58                | -72.42       | -13.00      | -59.42      | QP     |

|              |                                      |                      |                |
|--------------|--------------------------------------|----------------------|----------------|
| Standard:    | Part 22H&24E&27                      | Test Distance:       | 3 m            |
| Test item:   | Harmonic                             | Power:               | AC 120 V/60 Hz |
| Frequency:   | 1850.7 MHz                           | Temp.(°C)/Hum.(%RH): | 26(°C)/60 %RH  |
| Mode:        | 4 G_BAND 2_1.4 M_QPSK_CH18607        |                      |                |
| Ant.Polar.:  | Vertical                             |                      |                |
| Description: | AC Adapter : 2ACS005B (30 MHz~1 GHz) |                      |                |

| No. | Frequency (MHz) | Reading (dBm) | Correct Factor (dB) | Result (dBm) | Limit (dBm) | Margin (dB) | Remark |
|-----|-----------------|---------------|---------------------|--------------|-------------|-------------|--------|
| 1   | 93.0500         | -62.43        | -6.45               | -68.88       | -13.00      | -55.88      | QP     |
| 2   | 125.0600        | -70.44        | -3.47               | -73.91       | -13.00      | -60.91      | QP     |
| 3   | 275.4100        | -74.09        | -3.12               | -77.21       | -13.00      | -64.21      | QP     |
| 4   | 491.7200        | -71.49        | -0.12               | -71.61       | -13.00      | -58.61      | QP     |
| 5   | 671.1700        | -76.33        | 2.86                | -73.47       | -13.00      | -60.47      | QP     |
| 6   | 947.6200        | -77.65        | 6.51                | -71.14       | -13.00      | -58.14      | QP     |



|             |                               |                      |                |
|-------------|-------------------------------|----------------------|----------------|
| Standard:   | Part 22H&24E&27               | Test Distance:       | 3 m            |
| Test item:  | Harmonic                      | Power:               | AC 120 V/60 Hz |
| Frequency:  | 1850.7 MHz                    | Temp.(°C)/Hum.(%RH): | 26(°C)/60 %RH  |
| Mode:       | 4 G_BAND 2_1.4 M_QPSK_CH18607 |                      |                |
| Ant.Polar.: | Horizontal                    |                      |                |

| No. | Frequency<br>(MHz) | Reading<br>(dBm) | Correct Factor<br>(dB) | Result<br>(dBm) | Limit<br>(dBm) | Margin<br>(dB) | Remark |
|-----|--------------------|------------------|------------------------|-----------------|----------------|----------------|--------|
| 1   | 3701.400           | -73.34           | 14.11                  | -59.23          | -13.00         | -46.23         | peak   |

|             |                               |                      |                |
|-------------|-------------------------------|----------------------|----------------|
| Standard:   | Part 22H&24E&27               | Test Distance:       | 3 m            |
| Test item:  | Harmonic                      | Power:               | AC 120 V/60 Hz |
| Frequency:  | 1850.7 MHz                    | Temp.(°C)/Hum.(%RH): | 26(°C)/60 %RH  |
| Mode:       | 4 G_BAND 2_1.4 M_QPSK_CH18607 |                      |                |
| Ant.Polar.: | Vertical                      |                      |                |

| No. | Frequency<br>(MHz) | Reading<br>(dBm) | Correct Factor<br>(dB) | Result<br>(dBm) | Limit<br>(dBm) | Margin<br>(dB) | Remark |
|-----|--------------------|------------------|------------------------|-----------------|----------------|----------------|--------|
| 1   | 3701.400           | -72.63           | 14.11                  | -58.52          | -13.00         | -45.52         | peak   |





|             |                               |                      |                |
|-------------|-------------------------------|----------------------|----------------|
| Standard:   | Part 22H&24E&27               | Test Distance:       | 3 m            |
| Test item:  | Harmonic                      | Power:               | AC 120 V/60 Hz |
| Frequency:  | 1880 MHz                      | Temp.(°C)/Hum.(%RH): | 26(°C)/60 %RH  |
| Mode:       | 4 G_BAND 2_1.4 M_QPSK_CH18900 |                      |                |
| Ant.Polar.: | Horizontal                    |                      |                |

| No. | Frequency<br>(MHz) | Reading<br>(dBm) | Correct Factor<br>(dB) | Result<br>(dBm) | Limit<br>(dBm) | Margin<br>(dB) | Remark |
|-----|--------------------|------------------|------------------------|-----------------|----------------|----------------|--------|
| 1   | 3760.000           | -75.10           | 14.32                  | -60.78          | -13.00         | -47.78         | peak   |

|             |                               |                      |                |
|-------------|-------------------------------|----------------------|----------------|
| Standard:   | Part 22H&24E&27               | Test Distance:       | 3 m            |
| Test item:  | Harmonic                      | Power:               | AC 120 V/60 Hz |
| Frequency:  | 1880 MHz                      | Temp.(°C)/Hum.(%RH): | 26(°C)/60 %RH  |
| Mode:       | 4 G_BAND 2_1.4 M_QPSK_CH18900 |                      |                |
| Ant.Polar.: | Vertical                      |                      |                |

| No. | Frequency<br>(MHz) | Reading<br>(dBm) | Correct Factor<br>(dB) | Result<br>(dBm) | Limit<br>(dBm) | Margin<br>(dB) | Remark |
|-----|--------------------|------------------|------------------------|-----------------|----------------|----------------|--------|
| 1   | 3760.000           | -73.95           | 14.32                  | -59.63          | -13.00         | -46.63         | peak   |



|             |                               |                      |                |
|-------------|-------------------------------|----------------------|----------------|
| Standard:   | Part 22H&24E&27               | Test Distance:       | 3 m            |
| Test item:  | Harmonic                      | Power:               | AC 120 V/60 Hz |
| Frequency:  | 1909.3 MHz                    | Temp.(°C)/Hum.(%RH): | 26(°C)/60 %RH  |
| Mode:       | 4 G_BAND 2_1.4 M_QPSK_CH19193 |                      |                |
| Ant.Polar.: | Horizontal                    |                      |                |

| No. | Frequency<br>(MHz) | Reading<br>(dBm) | Correct Factor<br>(dB) | Result<br>(dBm) | Limit<br>(dBm) | Margin<br>(dB) | Remark |
|-----|--------------------|------------------|------------------------|-----------------|----------------|----------------|--------|
| 1   | 3818.600           | -73.70           | 14.51                  | -59.19          | -13.00         | -46.19         | peak   |

|             |                               |                      |                |
|-------------|-------------------------------|----------------------|----------------|
| Standard:   | Part 22H&24E&27               | Test Distance:       | 3 m            |
| Test item:  | Harmonic                      | Power:               | AC 120 V/60 Hz |
| Frequency:  | 1909.3 MHz                    | Temp.(°C)/Hum.(%RH): | 26(°C)/60 %RH  |
| Mode:       | 4 G_BAND 2_1.4 M_QPSK_CH19193 |                      |                |
| Ant.Polar.: | Vertical                      |                      |                |

| No. | Frequency<br>(MHz) | Reading<br>(dBm) | Correct Factor<br>(dB) | Result<br>(dBm) | Limit<br>(dBm) | Margin<br>(dB) | Remark |
|-----|--------------------|------------------|------------------------|-----------------|----------------|----------------|--------|
| 1   | 3818.600           | -73.50           | 14.51                  | -58.99          | -13.00         | -45.99         | peak   |



|             |                                |                      |                |
|-------------|--------------------------------|----------------------|----------------|
| Standard:   | Part 22H&24E&27                | Test Distance:       | 3 m            |
| Test item:  | Harmonic                       | Power:               | AC 120 V/60 Hz |
| Frequency:  | 1880 MHz                       | Temp.(°C)/Hum.(%RH): | 26(°C)/60 %RH  |
| Mode:       | 4 G_BAND 2_1.4 M-16QAM_CH18900 |                      |                |
| Ant.Polar.: | Horizontal                     |                      |                |

| No. | Frequency<br>(MHz) | Reading<br>(dBm) | Correct Factor<br>(dB) | Result<br>(dBm) | Limit<br>(dBm) | Margin<br>(dB) | Remark |
|-----|--------------------|------------------|------------------------|-----------------|----------------|----------------|--------|
| 1   | 3760.000           | -73.94           | 14.32                  | -59.62          | -13.00         | -46.62         | peak   |

|             |                                |                      |                |
|-------------|--------------------------------|----------------------|----------------|
| Standard:   | Part 22H&24E&27                | Test Distance:       | 3 m            |
| Test item:  | Harmonic                       | Power:               | AC 120 V/60 Hz |
| Frequency:  | 1880 MHz                       | Temp.(°C)/Hum.(%RH): | 26(°C)/60 %RH  |
| Mode:       | 4 G_BAND 2_1.4 M-16QAM_CH18900 |                      |                |
| Ant.Polar.: | Vertical                       |                      |                |

| No. | Frequency<br>(MHz) | Reading<br>(dBm) | Correct Factor<br>(dB) | Result<br>(dBm) | Limit<br>(dBm) | Margin<br>(dB) | Remark |
|-----|--------------------|------------------|------------------------|-----------------|----------------|----------------|--------|
| 1   | 3760.000           | -73.63           | 14.32                  | -59.31          | -13.00         | -46.31         | peak   |



|             |                             |                      |                |
|-------------|-----------------------------|----------------------|----------------|
| Standard:   | Part 22H&24E&27             | Test Distance:       | 3 m            |
| Test item:  | Harmonic                    | Power:               | AC 120 V/60 Hz |
| Frequency:  | 1851.5 MHz                  | Temp.(°C)/Hum.(%RH): | 26(°C)/60 %RH  |
| Mode:       | 4 G_BAND 2_3 M_QPSK_CH18615 |                      |                |
| Ant.Polar.: | Horizontal                  |                      |                |

| No. | Frequency<br>(MHz) | Reading<br>(dBm) | Correct Factor<br>(dB) | Result<br>(dBm) | Limit<br>(dBm) | Margin<br>(dB) | Remark |
|-----|--------------------|------------------|------------------------|-----------------|----------------|----------------|--------|
| 1   | 3703.000           | -75.35           | 14.11                  | -61.24          | -13.00         | -48.24         | peak   |

|             |                             |                      |                |
|-------------|-----------------------------|----------------------|----------------|
| Standard:   | Part 22H&24E&27             | Test Distance:       | 3 m            |
| Test item:  | Harmonic                    | Power:               | AC 120 V/60 Hz |
| Frequency:  | 1851.5 MHz                  | Temp.(°C)/Hum.(%RH): | 26(°C)/60 %RH  |
| Mode:       | 4 G_BAND 2_3 M_QPSK_CH18615 |                      |                |
| Ant.Polar.: | Vertical                    |                      |                |

| No. | Frequency<br>(MHz) | Reading<br>(dBm) | Correct Factor<br>(dB) | Result<br>(dBm) | Limit<br>(dBm) | Margin<br>(dB) | Remark |
|-----|--------------------|------------------|------------------------|-----------------|----------------|----------------|--------|
| 1   | 3703.000           | -73.52           | 14.11                  | -59.41          | -13.00         | -46.41         | peak   |



|             |                             |                      |                |
|-------------|-----------------------------|----------------------|----------------|
| Standard:   | Part 22H&24E&27             | Test Distance:       | 3 m            |
| Test item:  | Harmonic                    | Power:               | AC 120 V/60 Hz |
| Frequency:  | 1880 MHz                    | Temp.(°C)/Hum.(%RH): | 26(°C)/60 %RH  |
| Mode:       | 4 G_BAND 2_3 M_QPSK_CH18900 |                      |                |
| Ant.Polar.: | Horizontal                  |                      |                |

| No. | Frequency<br>(MHz) | Reading<br>(dBm) | Correct Factor<br>(dB) | Result<br>(dBm) | Limit<br>(dBm) | Margin<br>(dB) | Remark |
|-----|--------------------|------------------|------------------------|-----------------|----------------|----------------|--------|
| 1   | 3760.000           | -72.02           | 14.32                  | -57.70          | -13.00         | -44.70         | peak   |

|             |                             |                      |                |
|-------------|-----------------------------|----------------------|----------------|
| Standard:   | Part 22H&24E&27             | Test Distance:       | 3 m            |
| Test item:  | Harmonic                    | Power:               | AC 120 V/60 Hz |
| Frequency:  | 1880 MHz                    | Temp.(°C)/Hum.(%RH): | 26(°C)/60 %RH  |
| Mode:       | 4 G_BAND 2_3 M_QPSK_CH18900 |                      |                |
| Ant.Polar.: | Vertical                    |                      |                |

| No. | Frequency<br>(MHz) | Reading<br>(dBm) | Correct Factor<br>(dB) | Result<br>(dBm) | Limit<br>(dBm) | Margin<br>(dB) | Remark |
|-----|--------------------|------------------|------------------------|-----------------|----------------|----------------|--------|
| 1   | 3760.000           | -74.76           | 14.32                  | -60.44          | -13.00         | -47.44         | peak   |



|             |                             |                      |                |
|-------------|-----------------------------|----------------------|----------------|
| Standard:   | Part 22H&24E&27             | Test Distance:       | 3 m            |
| Test item:  | Harmonic                    | Power:               | AC 120 V/60 Hz |
| Frequency:  | 1908.5 MHz                  | Temp.(°C)/Hum.(%RH): | 26(°C)/60 %RH  |
| Mode:       | 4 G_BAND 2_3 M_QPSK_CH19185 |                      |                |
| Ant.Polar.: | Horizontal                  |                      |                |

| No. | Frequency<br>(MHz) | Reading<br>(dBm) | Correct Factor<br>(dB) | Result<br>(dBm) | Limit<br>(dBm) | Margin<br>(dB) | Remark |
|-----|--------------------|------------------|------------------------|-----------------|----------------|----------------|--------|
| 1   | 3817.000           | -74.29           | 14.51                  | -59.78          | -13.00         | -46.78         | peak   |

|             |                             |                      |                |
|-------------|-----------------------------|----------------------|----------------|
| Standard:   | Part 22H&24E&27             | Test Distance:       | 3 m            |
| Test item:  | Harmonic                    | Power:               | AC 120 V/60 Hz |
| Frequency:  | 1908.5 MHz                  | Temp.(°C)/Hum.(%RH): | 26(°C)/60 %RH  |
| Mode:       | 4 G_BAND 2_3 M_QPSK_CH19185 |                      |                |
| Ant.Polar.: | Vertical                    |                      |                |

| No. | Frequency<br>(MHz) | Reading<br>(dBm) | Correct Factor<br>(dB) | Result<br>(dBm) | Limit<br>(dBm) | Margin<br>(dB) | Remark |
|-----|--------------------|------------------|------------------------|-----------------|----------------|----------------|--------|
| 1   | 3817.000           | -74.95           | 14.51                  | -60.44          | -13.00         | -47.44         | peak   |



|             |                              |                      |                |
|-------------|------------------------------|----------------------|----------------|
| Standard:   | Part 22H&24E&27              | Test Distance:       | 3 m            |
| Test item:  | Harmonic                     | Power:               | AC 120 V/60 Hz |
| Frequency:  | 1880 MHz                     | Temp.(°C)/Hum.(%RH): | 26(°C)/60 %RH  |
| Mode:       | 4 G_BAND 2_3 M-16QAM_CH18900 |                      |                |
| Ant.Polar.: | Horizontal                   |                      |                |

| No. | Frequency<br>(MHz) | Reading<br>(dBm) | Correct Factor<br>(dB) | Result<br>(dBm) | Limit<br>(dBm) | Margin<br>(dB) | Remark |
|-----|--------------------|------------------|------------------------|-----------------|----------------|----------------|--------|
| 1   | 3760.000           | -74.63           | 14.32                  | -60.31          | -13.00         | -47.31         | peak   |

|             |                              |                      |                |
|-------------|------------------------------|----------------------|----------------|
| Standard:   | Part 22H&24E&27              | Test Distance:       | 3 m            |
| Test item:  | Harmonic                     | Power:               | AC 120 V/60 Hz |
| Frequency:  | 1880 MHz                     | Temp.(°C)/Hum.(%RH): | 26(°C)/60 %RH  |
| Mode:       | 4 G_BAND 2_3 M-16QAM_CH18900 |                      |                |
| Ant.Polar.: | Vertical                     |                      |                |

| No. | Frequency<br>(MHz) | Reading<br>(dBm) | Correct Factor<br>(dB) | Result<br>(dBm) | Limit<br>(dBm) | Margin<br>(dB) | Remark |
|-----|--------------------|------------------|------------------------|-----------------|----------------|----------------|--------|
| 1   | 3760.000           | -73.56           | 14.32                  | -59.24          | -13.00         | -46.24         | peak   |



|             |                             |                      |                |
|-------------|-----------------------------|----------------------|----------------|
| Standard:   | Part 22H&24E&27             | Test Distance:       | 3 m            |
| Test item:  | Harmonic                    | Power:               | AC 120 V/60 Hz |
| Frequency:  | 1852.5 MHz                  | Temp.(°C)/Hum.(%RH): | 26(°C)/60 %RH  |
| Mode:       | 4 G_BAND 2_5 M_QPSK_CH18625 |                      |                |
| Ant.Polar.: | Horizontal                  |                      |                |

| No. | Frequency<br>(MHz) | Reading<br>(dBm) | Correct Factor<br>(dB) | Result<br>(dBm) | Limit<br>(dBm) | Margin<br>(dB) | Remark |
|-----|--------------------|------------------|------------------------|-----------------|----------------|----------------|--------|
| 1   | 3705.000           | -73.21           | 14.13                  | -59.08          | -13.00         | -46.08         | peak   |

|             |                             |                      |                |
|-------------|-----------------------------|----------------------|----------------|
| Standard:   | Part 22H&24E&27             | Test Distance:       | 3 m            |
| Test item:  | Harmonic                    | Power:               | AC 120 V/60 Hz |
| Frequency:  | 1852.5 MHz                  | Temp.(°C)/Hum.(%RH): | 26(°C)/60 %RH  |
| Mode:       | 4 G_BAND 2_5 M_QPSK_CH18625 |                      |                |
| Ant.Polar.: | Vertical                    |                      |                |

| No. | Frequency<br>(MHz) | Reading<br>(dBm) | Correct Factor<br>(dB) | Result<br>(dBm) | Limit<br>(dBm) | Margin<br>(dB) | Remark |
|-----|--------------------|------------------|------------------------|-----------------|----------------|----------------|--------|
| 1   | 3705.000           | -73.80           | 14.13                  | -59.67          | -13.00         | -46.67         | peak   |





|             |                             |                      |                |
|-------------|-----------------------------|----------------------|----------------|
| Standard:   | Part 22H&24E&27             | Test Distance:       | 3 m            |
| Test item:  | Harmonic                    | Power:               | AC 120 V/60 Hz |
| Frequency:  | 1880 MHz                    | Temp.(°C)/Hum.(%RH): | 26(°C)/60 %RH  |
| Mode:       | 4 G_BAND 2_5 M_QPSK_CH18900 |                      |                |
| Ant.Polar.: | Horizontal                  |                      |                |

| No. | Frequency<br>(MHz) | Reading<br>(dBm) | Correct Factor<br>(dB) | Result<br>(dBm) | Limit<br>(dBm) | Margin<br>(dB) | Remark |
|-----|--------------------|------------------|------------------------|-----------------|----------------|----------------|--------|
| 1   | 3760.000           | -74.24           | 14.32                  | -59.92          | -13.00         | -46.92         | peak   |

|             |                             |                      |                |
|-------------|-----------------------------|----------------------|----------------|
| Standard:   | Part 22H&24E&27             | Test Distance:       | 3 m            |
| Test item:  | Harmonic                    | Power:               | AC 120 V/60 Hz |
| Frequency:  | 1880 MHz                    | Temp.(°C)/Hum.(%RH): | 26(°C)/60 %RH  |
| Mode:       | 4 G_BAND 2_5 M_QPSK_CH18900 |                      |                |
| Ant.Polar.: | Vertical                    |                      |                |

| No. | Frequency<br>(MHz) | Reading<br>(dBm) | Correct Factor<br>(dB) | Result<br>(dBm) | Limit<br>(dBm) | Margin<br>(dB) | Remark |
|-----|--------------------|------------------|------------------------|-----------------|----------------|----------------|--------|
| 1   | 3760.000           | -74.39           | 14.32                  | -60.07          | -13.00         | -47.07         | peak   |



|             |                             |                      |                |
|-------------|-----------------------------|----------------------|----------------|
| Standard:   | Part 22H&24E&27             | Test Distance:       | 3 m            |
| Test item:  | Harmonic                    | Power:               | AC 120 V/60 Hz |
| Frequency:  | 1907.5 MHz                  | Temp.(°C)/Hum.(%RH): | 26(°C)/60 %RH  |
| Mode:       | 4 G_BAND 2_5 M_QPSK_CH19175 |                      |                |
| Ant.Polar.: | Horizontal                  |                      |                |

| No. | Frequency<br>(MHz) | Reading<br>(dBm) | Correct Factor<br>(dB) | Result<br>(dBm) | Limit<br>(dBm) | Margin<br>(dB) | Remark |
|-----|--------------------|------------------|------------------------|-----------------|----------------|----------------|--------|
| 1   | 3815.000           | -74.37           | 14.50                  | -59.87          | -13.00         | -46.87         | peak   |

|             |                             |                      |                |
|-------------|-----------------------------|----------------------|----------------|
| Standard:   | Part 22H&24E&27             | Test Distance:       | 3 m            |
| Test item:  | Harmonic                    | Power:               | AC 120 V/60 Hz |
| Frequency:  | 1907.5 MHz                  | Temp.(°C)/Hum.(%RH): | 26(°C)/60 %RH  |
| Mode:       | 4 G_BAND 2_5 M_QPSK_CH19175 |                      |                |
| Ant.Polar.: | Vertical                    |                      |                |

| No. | Frequency<br>(MHz) | Reading<br>(dBm) | Correct Factor<br>(dB) | Result<br>(dBm) | Limit<br>(dBm) | Margin<br>(dB) | Remark |
|-----|--------------------|------------------|------------------------|-----------------|----------------|----------------|--------|
| 1   | 3815.000           | -74.02           | 14.50                  | -59.52          | -13.00         | -46.52         | peak   |



|             |                              |                      |                |
|-------------|------------------------------|----------------------|----------------|
| Standard:   | Part 22H&24E&27              | Test Distance:       | 3 m            |
| Test item:  | Harmonic                     | Power:               | AC 120 V/60 Hz |
| Frequency:  | 1880 MHz                     | Temp.(°C)/Hum.(%RH): | 26(°C)/60 %RH  |
| Mode:       | 4 G_BAND 2_5 M-16QAM_CH18900 |                      |                |
| Ant.Polar.: | Horizontal                   |                      |                |

| No. | Frequency<br>(MHz) | Reading<br>(dBm) | Correct Factor<br>(dB) | Result<br>(dBm) | Limit<br>(dBm) | Margin<br>(dB) | Remark |
|-----|--------------------|------------------|------------------------|-----------------|----------------|----------------|--------|
| 1   | 3760.000           | -73.33           | 14.32                  | -59.01          | -13.00         | -46.01         | peak   |

|             |                              |                      |                |
|-------------|------------------------------|----------------------|----------------|
| Standard:   | Part 22H&24E&27              | Test Distance:       | 3 m            |
| Test item:  | Harmonic                     | Power:               | AC 120 V/60 Hz |
| Frequency:  | 1880 MHz                     | Temp.(°C)/Hum.(%RH): | 26(°C)/60 %RH  |
| Mode:       | 4 G_BAND 2_5 M-16QAM_CH18900 |                      |                |
| Ant.Polar.: | Vertical                     |                      |                |

| No. | Frequency<br>(MHz) | Reading<br>(dBm) | Correct Factor<br>(dB) | Result<br>(dBm) | Limit<br>(dBm) | Margin<br>(dB) | Remark |
|-----|--------------------|------------------|------------------------|-----------------|----------------|----------------|--------|
| 1   | 3760.000           | -75.79           | 14.32                  | -61.47          | -13.00         | -48.47         | peak   |



|             |                              |                      |                |
|-------------|------------------------------|----------------------|----------------|
| Standard:   | Part 22H&24E&27              | Test Distance:       | 3 m            |
| Test item:  | Harmonic                     | Power:               | AC 120 V/60 Hz |
| Frequency:  | 1855 MHz                     | Temp.(°C)/Hum.(%RH): | 26(°C)/60 %RH  |
| Mode:       | 4 G_BAND 2_10 M_QPSK_CH18650 |                      |                |
| Ant.Polar.: | Horizontal                   |                      |                |

| No. | Frequency<br>(MHz) | Reading<br>(dBm) | Correct Factor<br>(dB) | Result<br>(dBm) | Limit<br>(dBm) | Margin<br>(dB) | Remark |
|-----|--------------------|------------------|------------------------|-----------------|----------------|----------------|--------|
| 1   | 3710.000           | -74.55           | 14.14                  | -60.41          | -13.00         | -47.41         | peak   |

|             |                              |                      |                |
|-------------|------------------------------|----------------------|----------------|
| Standard:   | Part 22H&24E&27              | Test Distance:       | 3 m            |
| Test item:  | Harmonic                     | Power:               | AC 120 V/60 Hz |
| Frequency:  | 1855 MHz                     | Temp.(°C)/Hum.(%RH): | 26(°C)/60 %RH  |
| Mode:       | 4 G_BAND 2_10 M_QPSK_CH18650 |                      |                |
| Ant.Polar.: | Vertical                     |                      |                |

| No. | Frequency<br>(MHz) | Reading<br>(dBm) | Correct Factor<br>(dB) | Result<br>(dBm) | Limit<br>(dBm) | Margin<br>(dB) | Remark |
|-----|--------------------|------------------|------------------------|-----------------|----------------|----------------|--------|
| 1   | 3710.000           | -72.77           | 14.14                  | -58.63          | -13.00         | -45.63         | peak   |



|             |                              |                      |                |
|-------------|------------------------------|----------------------|----------------|
| Standard:   | Part 22H&24E&27              | Test Distance:       | 3 m            |
| Test item:  | Harmonic                     | Power:               | AC 120 V/60 Hz |
| Frequency:  | 1880 MHz                     | Temp.(°C)/Hum.(%RH): | 26(°C)/60 %RH  |
| Mode:       | 4 G_BAND 2_10 M_QPSK_CH18900 |                      |                |
| Ant.Polar.: | Horizontal                   |                      |                |

| No. | Frequency<br>(MHz) | Reading<br>(dBm) | Correct Factor<br>(dB) | Result<br>(dBm) | Limit<br>(dBm) | Margin<br>(dB) | Remark |
|-----|--------------------|------------------|------------------------|-----------------|----------------|----------------|--------|
| 1   | 3760.000           | -72.98           | 14.32                  | -58.66          | -13.00         | -45.66         | peak   |

|             |                              |                      |                |
|-------------|------------------------------|----------------------|----------------|
| Standard:   | Part 22H&24E&27              | Test Distance:       | 3 m            |
| Test item:  | Harmonic                     | Power:               | AC 120 V/60 Hz |
| Frequency:  | 1880 MHz                     | Temp.(°C)/Hum.(%RH): | 26(°C)/60 %RH  |
| Mode:       | 4 G_BAND 2_10 M_QPSK_CH18900 |                      |                |
| Ant.Polar.: | Vertical                     |                      |                |

| No. | Frequency<br>(MHz) | Reading<br>(dBm) | Correct Factor<br>(dB) | Result<br>(dBm) | Limit<br>(dBm) | Margin<br>(dB) | Remark |
|-----|--------------------|------------------|------------------------|-----------------|----------------|----------------|--------|
| 1   | 3760.000           | -74.16           | 14.32                  | -59.84          | -13.00         | -46.84         | peak   |



|             |                              |                      |                |
|-------------|------------------------------|----------------------|----------------|
| Standard:   | Part 22H&24E&27              | Test Distance:       | 3 m            |
| Test item:  | Harmonic                     | Power:               | AC 120 V/60 Hz |
| Frequency:  | 1905 MHz                     | Temp.(°C)/Hum.(%RH): | 26(°C)/60 %RH  |
| Mode:       | 4 G_BAND 2_10 M_QPSK_CH19150 |                      |                |
| Ant.Polar.: | Horizontal                   |                      |                |

| No. | Frequency<br>(MHz) | Reading<br>(dBm) | Correct Factor<br>(dB) | Result<br>(dBm) | Limit<br>(dBm) | Margin<br>(dB) | Remark |
|-----|--------------------|------------------|------------------------|-----------------|----------------|----------------|--------|
| 1   | 3810.000           | -72.10           | 14.49                  | -57.61          | -13.00         | -44.61         | peak   |

|             |                              |                      |                |
|-------------|------------------------------|----------------------|----------------|
| Standard:   | Part 22H&24E&27              | Test Distance:       | 3 m            |
| Test item:  | Harmonic                     | Power:               | AC 120 V/60 Hz |
| Frequency:  | 1905 MHz                     | Temp.(°C)/Hum.(%RH): | 26(°C)/60 %RH  |
| Mode:       | 4 G_BAND 2_10 M_QPSK_CH19150 |                      |                |
| Ant.Polar.: | Vertical                     |                      |                |

| No. | Frequency<br>(MHz) | Reading<br>(dBm) | Correct Factor<br>(dB) | Result<br>(dBm) | Limit<br>(dBm) | Margin<br>(dB) | Remark |
|-----|--------------------|------------------|------------------------|-----------------|----------------|----------------|--------|
| 1   | 3810.000           | -74.91           | 14.49                  | -60.42          | -13.00         | -47.42         | peak   |



|             |                               |                      |                |
|-------------|-------------------------------|----------------------|----------------|
| Standard:   | Part 22H&24E&27               | Test Distance:       | 3 m            |
| Test item:  | Harmonic                      | Power:               | AC 120 V/60 Hz |
| Frequency:  | 1880 MHz                      | Temp.(°C)/Hum.(%RH): | 26(°C)/60 %RH  |
| Mode:       | 4 G_BAND 2_10 M-16QAM_CH18900 |                      |                |
| Ant.Polar.: | Horizontal                    |                      |                |

| No. | Frequency<br>(MHz) | Reading<br>(dBm) | Correct Factor<br>(dB) | Result<br>(dBm) | Limit<br>(dBm) | Margin<br>(dB) | Remark |
|-----|--------------------|------------------|------------------------|-----------------|----------------|----------------|--------|
| 1   | 3760.000           | -74.10           | 14.32                  | -59.78          | -13.00         | -46.78         | peak   |

|             |                               |                      |                |
|-------------|-------------------------------|----------------------|----------------|
| Standard:   | Part 22H&24E&27               | Test Distance:       | 3 m            |
| Test item:  | Harmonic                      | Power:               | AC 120 V/60 Hz |
| Frequency:  | 1880 MHz                      | Temp.(°C)/Hum.(%RH): | 26(°C)/60 %RH  |
| Mode:       | 4 G_BAND 2_10 M-16QAM_CH18900 |                      |                |
| Ant.Polar.: | Vertical                      |                      |                |

| No. | Frequency<br>(MHz) | Reading<br>(dBm) | Correct Factor<br>(dB) | Result<br>(dBm) | Limit<br>(dBm) | Margin<br>(dB) | Remark |
|-----|--------------------|------------------|------------------------|-----------------|----------------|----------------|--------|
| 1   | 3760.000           | -74.10           | 14.32                  | -59.78          | -13.00         | -46.78         | peak   |



|             |                              |                      |                |
|-------------|------------------------------|----------------------|----------------|
| Standard:   | Part 22H&24E&27              | Test Distance:       | 3 m            |
| Test item:  | Harmonic                     | Power:               | AC 120 V/60 Hz |
| Frequency:  | 1857.5 MHz                   | Temp.(°C)/Hum.(%RH): | 26(°C)/60 %RH  |
| Mode:       | 4 G_BAND 2_15 M_QPSK_CH18675 |                      |                |
| Ant.Polar.: | Horizontal                   |                      |                |

| No. | Frequency<br>(MHz) | Reading<br>(dBm) | Correct Factor<br>(dB) | Result<br>(dBm) | Limit<br>(dBm) | Margin<br>(dB) | Remark |
|-----|--------------------|------------------|------------------------|-----------------|----------------|----------------|--------|
| 1   | 3715.000           | -73.57           | 14.16                  | -59.41          | -13.00         | -46.41         | peak   |

|             |                              |                      |                |
|-------------|------------------------------|----------------------|----------------|
| Standard:   | Part 22H&24E&27              | Test Distance:       | 3 m            |
| Test item:  | Harmonic                     | Power:               | AC 120 V/60 Hz |
| Frequency:  | 1857.5 MHz                   | Temp.(°C)/Hum.(%RH): | 26(°C)/60 %RH  |
| Mode:       | 4 G_BAND 2_15 M_QPSK_CH18675 |                      |                |
| Ant.Polar.: | Vertical                     |                      |                |

| No. | Frequency<br>(MHz) | Reading<br>(dBm) | Correct Factor<br>(dB) | Result<br>(dBm) | Limit<br>(dBm) | Margin<br>(dB) | Remark |
|-----|--------------------|------------------|------------------------|-----------------|----------------|----------------|--------|
| 1   | 3715.000           | -72.80           | 14.16                  | -58.64          | -13.00         | -45.64         | peak   |





|             |                              |                      |                |
|-------------|------------------------------|----------------------|----------------|
| Standard:   | Part 22H&24E&27              | Test Distance:       | 3 m            |
| Test item:  | Harmonic                     | Power:               | AC 120 V/60 Hz |
| Frequency:  | 1880 MHz                     | Temp.(°C)/Hum.(%RH): | 26(°C)/60 %RH  |
| Mode:       | 4 G_BAND 2_15 M_QPSK_CH18900 |                      |                |
| Ant.Polar.: | Horizontal                   |                      |                |

| No. | Frequency<br>(MHz) | Reading<br>(dBm) | Correct Factor<br>(dB) | Result<br>(dBm) | Limit<br>(dBm) | Margin<br>(dB) | Remark |
|-----|--------------------|------------------|------------------------|-----------------|----------------|----------------|--------|
| 1   | 3760.000           | -74.29           | 14.32                  | -59.97          | -13.00         | -46.97         | peak   |

|             |                              |                      |                |
|-------------|------------------------------|----------------------|----------------|
| Standard:   | Part 22H&24E&27              | Test Distance:       | 3 m            |
| Test item:  | Harmonic                     | Power:               | AC 120 V/60 Hz |
| Frequency:  | 1880 MHz                     | Temp.(°C)/Hum.(%RH): | 26(°C)/60 %RH  |
| Mode:       | 4 G_BAND 2_15 M_QPSK_CH18900 |                      |                |
| Ant.Polar.: | Vertical                     |                      |                |

| No. | Frequency<br>(MHz) | Reading<br>(dBm) | Correct Factor<br>(dB) | Result<br>(dBm) | Limit<br>(dBm) | Margin<br>(dB) | Remark |
|-----|--------------------|------------------|------------------------|-----------------|----------------|----------------|--------|
| 1   | 3760.000           | -73.00           | 14.32                  | -58.68          | -13.00         | -45.68         | peak   |



|             |                              |                      |                |
|-------------|------------------------------|----------------------|----------------|
| Standard:   | Part 22H&24E&27              | Test Distance:       | 3 m            |
| Test item:  | Harmonic                     | Power:               | AC 120 V/60 Hz |
| Frequency:  | 1902.5 MHz                   | Temp.(°C)/Hum.(%RH): | 26(°C)/60 %RH  |
| Mode:       | 4 G_BAND 2_15 M_QPSK_CH19125 |                      |                |
| Ant.Polar.: | Horizontal                   |                      |                |

| No. | Frequency<br>(MHz) | Reading<br>(dBm) | Correct Factor<br>(dB) | Result<br>(dBm) | Limit<br>(dBm) | Margin<br>(dB) | Remark |
|-----|--------------------|------------------|------------------------|-----------------|----------------|----------------|--------|
| 1   | 3805.000           | -73.78           | 14.48                  | -59.30          | -13.00         | -46.30         | peak   |

|             |                              |                      |                |
|-------------|------------------------------|----------------------|----------------|
| Standard:   | Part 22H&24E&27              | Test Distance:       | 3 m            |
| Test item:  | Harmonic                     | Power:               | AC 120 V/60 Hz |
| Frequency:  | 1902.5 MHz                   | Temp.(°C)/Hum.(%RH): | 26(°C)/60 %RH  |
| Mode:       | 4 G_BAND 2_15 M_QPSK_CH19125 |                      |                |
| Ant.Polar.: | Vertical                     |                      |                |

| No. | Frequency<br>(MHz) | Reading<br>(dBm) | Correct Factor<br>(dB) | Result<br>(dBm) | Limit<br>(dBm) | Margin<br>(dB) | Remark |
|-----|--------------------|------------------|------------------------|-----------------|----------------|----------------|--------|
| 1   | 3805.000           | -75.34           | 14.48                  | -60.86          | -13.00         | -47.86         | peak   |



|             |                               |                      |                |
|-------------|-------------------------------|----------------------|----------------|
| Standard:   | Part 22H&24E&27               | Test Distance:       | 3 m            |
| Test item:  | Harmonic                      | Power:               | AC 120 V/60 Hz |
| Frequency:  | 1880 MHz                      | Temp.(°C)/Hum.(%RH): | 26(°C)/60 %RH  |
| Mode:       | 4 G_BAND 2_15 M-16QAM_CH18900 |                      |                |
| Ant.Polar.: | Horizontal                    |                      |                |

| No. | Frequency<br>(MHz) | Reading<br>(dBm) | Correct Factor<br>(dB) | Result<br>(dBm) | Limit<br>(dBm) | Margin<br>(dB) | Remark |
|-----|--------------------|------------------|------------------------|-----------------|----------------|----------------|--------|
| 1   | 3760.000           | -73.06           | 14.32                  | -58.74          | -13.00         | -45.74         | peak   |

|             |                               |                      |                |
|-------------|-------------------------------|----------------------|----------------|
| Standard:   | Part 22H&24E&27               | Test Distance:       | 3 m            |
| Test item:  | Harmonic                      | Power:               | AC 120 V/60 Hz |
| Frequency:  | 1880 MHz                      | Temp.(°C)/Hum.(%RH): | 26(°C)/60 %RH  |
| Mode:       | 4 G_BAND 2_15 M-16QAM_CH18900 |                      |                |
| Ant.Polar.: | Vertical                      |                      |                |

| No. | Frequency<br>(MHz) | Reading<br>(dBm) | Correct Factor<br>(dB) | Result<br>(dBm) | Limit<br>(dBm) | Margin<br>(dB) | Remark |
|-----|--------------------|------------------|------------------------|-----------------|----------------|----------------|--------|
| 1   | 3760.000           | -73.92           | 14.32                  | -59.60          | -13.00         | -46.60         | peak   |



|             |                              |                      |                |
|-------------|------------------------------|----------------------|----------------|
| Standard:   | Part 22H&24E&27              | Test Distance:       | 3 m            |
| Test item:  | Harmonic                     | Power:               | AC 120 V/60 Hz |
| Frequency:  | 1860 MHz                     | Temp.(°C)/Hum.(%RH): | 26(°C)/60 %RH  |
| Mode:       | 4 G_BAND 2_20 M_QPSK_CH18700 |                      |                |
| Ant.Polar.: | Horizontal                   |                      |                |

| No. | Frequency<br>(MHz) | Reading<br>(dBm) | Correct Factor<br>(dB) | Result<br>(dBm) | Limit<br>(dBm) | Margin<br>(dB) | Remark |
|-----|--------------------|------------------|------------------------|-----------------|----------------|----------------|--------|
| 1   | 3720.000           | -74.37           | 14.18                  | -60.19          | -13.00         | -47.19         | peak   |

|             |                              |                      |                |
|-------------|------------------------------|----------------------|----------------|
| Standard:   | Part 22H&24E&27              | Test Distance:       | 3 m            |
| Test item:  | Harmonic                     | Power:               | AC 120 V/60 Hz |
| Frequency:  | 1860 MHz                     | Temp.(°C)/Hum.(%RH): | 26(°C)/60 %RH  |
| Mode:       | 4 G_BAND 2_20 M_QPSK_CH18700 |                      |                |
| Ant.Polar.: | Vertical                     |                      |                |

| No. | Frequency<br>(MHz) | Reading<br>(dBm) | Correct Factor<br>(dB) | Result<br>(dBm) | Limit<br>(dBm) | Margin<br>(dB) | Remark |
|-----|--------------------|------------------|------------------------|-----------------|----------------|----------------|--------|
| 1   | 3720.000           | -73.38           | 14.18                  | -59.20          | -13.00         | -46.20         | peak   |



|             |                              |                      |                |
|-------------|------------------------------|----------------------|----------------|
| Standard:   | Part 22H&24E&27              | Test Distance:       | 3 m            |
| Test item:  | Harmonic                     | Power:               | AC 120 V/60 Hz |
| Frequency:  | 1880 MHz                     | Temp.(°C)/Hum.(%RH): | 26(°C)/60 %RH  |
| Mode:       | 4 G_BAND 2_20 M_QPSK_CH18900 |                      |                |
| Ant.Polar.: | Horizontal                   |                      |                |

| No. | Frequency<br>(MHz) | Reading<br>(dBm) | Correct Factor<br>(dB) | Result<br>(dBm) | Limit<br>(dBm) | Margin<br>(dB) | Remark |
|-----|--------------------|------------------|------------------------|-----------------|----------------|----------------|--------|
| 1   | 3760.000           | -70.80           | 14.32                  | -56.48          | -13.00         | -43.48         | peak   |

|             |                              |                      |                |
|-------------|------------------------------|----------------------|----------------|
| Standard:   | Part 22H&24E&27              | Test Distance:       | 3 m            |
| Test item:  | Harmonic                     | Power:               | AC 120 V/60 Hz |
| Frequency:  | 1880 MHz                     | Temp.(°C)/Hum.(%RH): | 26(°C)/60 %RH  |
| Mode:       | 4 G_BAND 2_20 M_QPSK_CH18900 |                      |                |
| Ant.Polar.: | Vertical                     |                      |                |

| No. | Frequency<br>(MHz) | Reading<br>(dBm) | Correct Factor<br>(dB) | Result<br>(dBm) | Limit<br>(dBm) | Margin<br>(dB) | Remark |
|-----|--------------------|------------------|------------------------|-----------------|----------------|----------------|--------|
| 1   | 3760.000           | -76.15           | 14.32                  | -61.83          | -13.00         | -48.83         | peak   |



|             |                              |                      |                |
|-------------|------------------------------|----------------------|----------------|
| Standard:   | Part 22H&24E&27              | Test Distance:       | 3 m            |
| Test item:  | Harmonic                     | Power:               | AC 120 V/60 Hz |
| Frequency:  | 1900 MHz                     | Temp.(°C)/Hum.(%RH): | 26(°C)/60 %RH  |
| Mode:       | 4 G_BAND 2_20 M_QPSK_CH19100 |                      |                |
| Ant.Polar.: | Horizontal                   |                      |                |

| No. | Frequency<br>(MHz) | Reading<br>(dBm) | Correct Factor<br>(dB) | Result<br>(dBm) | Limit<br>(dBm) | Margin<br>(dB) | Remark |
|-----|--------------------|------------------|------------------------|-----------------|----------------|----------------|--------|
| 1   | 3800.000           | -73.03           | 14.46                  | -58.57          | -13.00         | -45.57         | peak   |

|             |                              |                      |                |
|-------------|------------------------------|----------------------|----------------|
| Standard:   | Part 22H&24E&27              | Test Distance:       | 3 m            |
| Test item:  | Harmonic                     | Power:               | AC 120 V/60 Hz |
| Frequency:  | 1900 MHz                     | Temp.(°C)/Hum.(%RH): | 26(°C)/60 %RH  |
| Mode:       | 4 G_BAND 2_20 M_QPSK_CH19100 |                      |                |
| Ant.Polar.: | Vertical                     |                      |                |

| No. | Frequency<br>(MHz) | Reading<br>(dBm) | Correct Factor<br>(dB) | Result<br>(dBm) | Limit<br>(dBm) | Margin<br>(dB) | Remark |
|-----|--------------------|------------------|------------------------|-----------------|----------------|----------------|--------|
| 1   | 3800.000           | -72.95           | 14.46                  | -58.49          | -13.00         | -45.49         | peak   |



|             |                               |                      |                |
|-------------|-------------------------------|----------------------|----------------|
| Standard:   | Part 22H&24E&27               | Test Distance:       | 3 m            |
| Test item:  | Harmonic                      | Power:               | AC 120 V/60 Hz |
| Frequency:  | 1880 MHz                      | Temp.(°C)/Hum.(%RH): | 26(°C)/60 %RH  |
| Mode:       | 4 G_BAND 2_20 M-16QAM_CH18900 |                      |                |
| Ant.Polar.: | Horizontal                    |                      |                |

| No. | Frequency<br>(MHz) | Reading<br>(dBm) | Correct Factor<br>(dB) | Result<br>(dBm) | Limit<br>(dBm) | Margin<br>(dB) | Remark |
|-----|--------------------|------------------|------------------------|-----------------|----------------|----------------|--------|
| 1   | 3760.000           | -74.13           | 14.32                  | -59.81          | -13.00         | -46.81         | peak   |

|             |                               |                      |                |
|-------------|-------------------------------|----------------------|----------------|
| Standard:   | Part 22H&24E&27               | Test Distance:       | 3 m            |
| Test item:  | Harmonic                      | Power:               | AC 120 V/60 Hz |
| Frequency:  | 1880 MHz                      | Temp.(°C)/Hum.(%RH): | 26(°C)/60 %RH  |
| Mode:       | 4 G_BAND 2_20 M-16QAM_CH18900 |                      |                |
| Ant.Polar.: | Vertical                      |                      |                |

| No. | Frequency<br>(MHz) | Reading<br>(dBm) | Correct Factor<br>(dB) | Result<br>(dBm) | Limit<br>(dBm) | Margin<br>(dB) | Remark |
|-----|--------------------|------------------|------------------------|-----------------|----------------|----------------|--------|
| 1   | 3760.000           | -72.83           | 14.32                  | -58.51          | -13.00         | -45.51         | peak   |



|             |                               |                      |                |
|-------------|-------------------------------|----------------------|----------------|
| Standard:   | Part 22H&24E&27               | Test Distance:       | 3 m            |
| Test item:  | Harmonic                      | Power:               | AC 120 V/60 Hz |
| Frequency:  | 1710.7 MHz                    | Temp.(°C)/Hum.(%RH): | 26(°C)/60 %RH  |
| Mode:       | 4 G_BAND 4_1.4 M_QPSK_CH19957 |                      |                |
| Ant.Polar.: | Horizontal                    |                      |                |

| No. | Frequency<br>(MHz) | Reading<br>(dBm) | Correct Factor<br>(dB) | Result<br>(dBm) | Limit<br>(dBm) | Margin<br>(dB) | Remark |
|-----|--------------------|------------------|------------------------|-----------------|----------------|----------------|--------|
| 1   | 3421.400           | -73.18           | 13.24                  | -59.94          | -13.00         | -46.94         | peak   |

|             |                               |                      |                |
|-------------|-------------------------------|----------------------|----------------|
| Standard:   | Part 22H&24E&27               | Test Distance:       | 3 m            |
| Test item:  | Harmonic                      | Power:               | AC 120 V/60 Hz |
| Frequency:  | 1710.7 MHz                    | Temp.(°C)/Hum.(%RH): | 26(°C)/60 %RH  |
| Mode:       | 4 G_BAND 4_1.4 M_QPSK_CH19957 |                      |                |
| Ant.Polar.: | Vertical                      |                      |                |

| No. | Frequency<br>(MHz) | Reading<br>(dBm) | Correct Factor<br>(dB) | Result<br>(dBm) | Limit<br>(dBm) | Margin<br>(dB) | Remark |
|-----|--------------------|------------------|------------------------|-----------------|----------------|----------------|--------|
| 1   | 3421.400           | -72.49           | 13.24                  | -59.25          | -13.00         | -46.25         | peak   |





|             |                               |                      |                |
|-------------|-------------------------------|----------------------|----------------|
| Standard:   | Part 22H&24E&27               | Test Distance:       | 3 m            |
| Test item:  | Harmonic                      | Power:               | AC 120 V/60 Hz |
| Frequency:  | 1732.5 MHz                    | Temp.(°C)/Hum.(%RH): | 26(°C)/60 %RH  |
| Mode:       | 4 G_BAND 4_1.4 M_QPSK_CH20175 |                      |                |
| Ant.Polar.: | Horizontal                    |                      |                |

| No. | Frequency<br>(MHz) | Reading<br>(dBm) | Correct Factor<br>(dB) | Result<br>(dBm) | Limit<br>(dBm) | Margin<br>(dB) | Remark |
|-----|--------------------|------------------|------------------------|-----------------|----------------|----------------|--------|
| 1   | 3465.000           | -74.89           | 13.34                  | -61.55          | -13.00         | -48.55         | peak   |

|             |                               |                      |                |
|-------------|-------------------------------|----------------------|----------------|
| Standard:   | Part 22H&24E&27               | Test Distance:       | 3 m            |
| Test item:  | Harmonic                      | Power:               | AC 120 V/60 Hz |
| Frequency:  | 1732.5 MHz                    | Temp.(°C)/Hum.(%RH): | 26(°C)/60 %RH  |
| Mode:       | 4 G_BAND 4_1.4 M_QPSK_CH20175 |                      |                |
| Ant.Polar.: | Vertical                      |                      |                |

| No. | Frequency<br>(MHz) | Reading<br>(dBm) | Correct Factor<br>(dB) | Result<br>(dBm) | Limit<br>(dBm) | Margin<br>(dB) | Remark |
|-----|--------------------|------------------|------------------------|-----------------|----------------|----------------|--------|
| 1   | 3465.000           | -75.91           | 13.34                  | -62.57          | -13.00         | -49.57         | peak   |



|             |                               |                      |                |
|-------------|-------------------------------|----------------------|----------------|
| Standard:   | Part 22H&24E&27               | Test Distance:       | 3 m            |
| Test item:  | Harmonic                      | Power:               | AC 120 V/60 Hz |
| Frequency:  | 1754.3 MHz                    | Temp.(°C)/Hum.(%RH): | 26(°C)/60 %RH  |
| Mode:       | 4 G_BAND 4_1.4 M_QPSK_CH20393 |                      |                |
| Ant.Polar.: | Horizontal                    |                      |                |

| No. | Frequency<br>(MHz) | Reading<br>(dBm) | Correct Factor<br>(dB) | Result<br>(dBm) | Limit<br>(dBm) | Margin<br>(dB) | Remark |
|-----|--------------------|------------------|------------------------|-----------------|----------------|----------------|--------|
| 1   | 3508.600           | -74.33           | 13.44                  | -60.89          | -13.00         | -47.89         | peak   |

|             |                               |                      |                |
|-------------|-------------------------------|----------------------|----------------|
| Standard:   | Part 22H&24E&27               | Test Distance:       | 3 m            |
| Test item:  | Harmonic                      | Power:               | AC 120 V/60 Hz |
| Frequency:  | 1754.3 MHz                    | Temp.(°C)/Hum.(%RH): | 26(°C)/60 %RH  |
| Mode:       | 4 G_BAND 4_1.4 M_QPSK_CH20393 |                      |                |
| Ant.Polar.: | Vertical                      |                      |                |

| No. | Frequency<br>(MHz) | Reading<br>(dBm) | Correct Factor<br>(dB) | Result<br>(dBm) | Limit<br>(dBm) | Margin<br>(dB) | Remark |
|-----|--------------------|------------------|------------------------|-----------------|----------------|----------------|--------|
| 1   | 3508.600           | -72.85           | 13.44                  | -59.41          | -13.00         | -46.41         | peak   |



|             |                                |                      |                |
|-------------|--------------------------------|----------------------|----------------|
| Standard:   | Part 22H&24E&27                | Test Distance:       | 3 m            |
| Test item:  | Harmonic                       | Power:               | AC 120 V/60 Hz |
| Frequency:  | 1732.5 MHz                     | Temp.(°C)/Hum.(%RH): | 26(°C)/60 %RH  |
| Mode:       | 4 G_BAND 4_1.4 M-16QAM_CH20175 |                      |                |
| Ant.Polar.: | Horizontal                     |                      |                |

| No. | Frequency<br>(MHz) | Reading<br>(dBm) | Correct Factor<br>(dB) | Result<br>(dBm) | Limit<br>(dBm) | Margin<br>(dB) | Remark |
|-----|--------------------|------------------|------------------------|-----------------|----------------|----------------|--------|
| 1   | 3465.000           | -75.86           | 13.34                  | -62.52          | -13.00         | -49.52         | peak   |

|             |                                |                      |                |
|-------------|--------------------------------|----------------------|----------------|
| Standard:   | Part 22H&24E&27                | Test Distance:       | 3 m            |
| Test item:  | Harmonic                       | Power:               | AC 120 V/60 Hz |
| Frequency:  | 1732.5 MHz                     | Temp.(°C)/Hum.(%RH): | 26(°C)/60 %RH  |
| Mode:       | 4 G_BAND 4_1.4 M-16QAM_CH20175 |                      |                |
| Ant.Polar.: | Vertical                       |                      |                |

| No. | Frequency<br>(MHz) | Reading<br>(dBm) | Correct Factor<br>(dB) | Result<br>(dBm) | Limit<br>(dBm) | Margin<br>(dB) | Remark |
|-----|--------------------|------------------|------------------------|-----------------|----------------|----------------|--------|
| 1   | 3465.000           | -75.43           | 13.34                  | -62.09          | -13.00         | -49.09         | peak   |



|             |                             |                      |                |
|-------------|-----------------------------|----------------------|----------------|
| Standard:   | Part 22H&24E&27             | Test Distance:       | 3 m            |
| Test item:  | Harmonic                    | Power:               | AC 120 V/60 Hz |
| Frequency:  | 1711.5 MHz                  | Temp.(°C)/Hum.(%RH): | 26(°C)/60 %RH  |
| Mode:       | 4 G_BAND 4_3 M_QPSK_CH19965 |                      |                |
| Ant.Polar.: | Horizontal                  |                      |                |

| No. | Frequency<br>(MHz) | Reading<br>(dBm) | Correct Factor<br>(dB) | Result<br>(dBm) | Limit<br>(dBm) | Margin<br>(dB) | Remark |
|-----|--------------------|------------------|------------------------|-----------------|----------------|----------------|--------|
| 1   | 3423.000           | -74.65           | 13.23                  | -61.42          | -13.00         | -48.42         | peak   |

|             |                             |                      |                |
|-------------|-----------------------------|----------------------|----------------|
| Standard:   | Part 22H&24E&27             | Test Distance:       | 3 m            |
| Test item:  | Harmonic                    | Power:               | AC 120 V/60 Hz |
| Frequency:  | 1711.5 MHz                  | Temp.(°C)/Hum.(%RH): | 26(°C)/60 %RH  |
| Mode:       | 4 G_BAND 4_3 M_QPSK_CH19965 |                      |                |
| Ant.Polar.: | Vertical                    |                      |                |

| No. | Frequency<br>(MHz) | Reading<br>(dBm) | Correct Factor<br>(dB) | Result<br>(dBm) | Limit<br>(dBm) | Margin<br>(dB) | Remark |
|-----|--------------------|------------------|------------------------|-----------------|----------------|----------------|--------|
| 1   | 3423.000           | -71.96           | 13.23                  | -58.73          | -13.00         | -45.73         | peak   |



|             |                             |                      |                |
|-------------|-----------------------------|----------------------|----------------|
| Standard:   | Part 22H&24E&27             | Test Distance:       | 3 m            |
| Test item:  | Harmonic                    | Power:               | AC 120 V/60 Hz |
| Frequency:  | 1732.5 MHz                  | Temp.(°C)/Hum.(%RH): | 26(°C)/60 %RH  |
| Mode:       | 4 G_BAND 4_3 M_QPSK_CH20175 |                      |                |
| Ant.Polar.: | Horizontal                  |                      |                |

| No. | Frequency<br>(MHz) | Reading<br>(dBm) | Correct Factor<br>(dB) | Result<br>(dBm) | Limit<br>(dBm) | Margin<br>(dB) | Remark |
|-----|--------------------|------------------|------------------------|-----------------|----------------|----------------|--------|
| 1   | 3465.000           | -72.42           | 13.34                  | -59.08          | -13.00         | -46.08         | peak   |

|             |                             |                      |                |
|-------------|-----------------------------|----------------------|----------------|
| Standard:   | Part 22H&24E&27             | Test Distance:       | 3 m            |
| Test item:  | Harmonic                    | Power:               | AC 120 V/60 Hz |
| Frequency:  | 1732.5 MHz                  | Temp.(°C)/Hum.(%RH): | 26(°C)/60 %RH  |
| Mode:       | 4 G_BAND 4_3 M_QPSK_CH20175 |                      |                |
| Ant.Polar.: | Vertical                    |                      |                |

| No. | Frequency<br>(MHz) | Reading<br>(dBm) | Correct Factor<br>(dB) | Result<br>(dBm) | Limit<br>(dBm) | Margin<br>(dB) | Remark |
|-----|--------------------|------------------|------------------------|-----------------|----------------|----------------|--------|
| 1   | 3465.000           | -73.58           | 13.34                  | -60.24          | -13.00         | -47.24         | peak   |



|             |                             |                      |                |
|-------------|-----------------------------|----------------------|----------------|
| Standard:   | Part 22H&24E&27             | Test Distance:       | 3 m            |
| Test item:  | Harmonic                    | Power:               | AC 120 V/60 Hz |
| Frequency:  | 1753.5 MHz                  | Temp.(°C)/Hum.(%RH): | 26(°C)/60 %RH  |
| Mode:       | 4 G_BAND 4_3 M_QPSK_CH20385 |                      |                |
| Ant.Polar.: | Horizontal                  |                      |                |

| No. | Frequency<br>(MHz) | Reading<br>(dBm) | Correct Factor<br>(dB) | Result<br>(dBm) | Limit<br>(dBm) | Margin<br>(dB) | Remark |
|-----|--------------------|------------------|------------------------|-----------------|----------------|----------------|--------|
| 1   | 3507.000           | -73.91           | 13.44                  | -60.47          | -13.00         | -47.47         | peak   |

|             |                             |                      |                |
|-------------|-----------------------------|----------------------|----------------|
| Standard:   | Part 22H&24E&27             | Test Distance:       | 3 m            |
| Test item:  | Harmonic                    | Power:               | AC 120 V/60 Hz |
| Frequency:  | 1753.5 MHz                  | Temp.(°C)/Hum.(%RH): | 26(°C)/60 %RH  |
| Mode:       | 4 G_BAND 4_3 M_QPSK_CH20385 |                      |                |
| Ant.Polar.: | Vertical                    |                      |                |

| No. | Frequency<br>(MHz) | Reading<br>(dBm) | Correct Factor<br>(dB) | Result<br>(dBm) | Limit<br>(dBm) | Margin<br>(dB) | Remark |
|-----|--------------------|------------------|------------------------|-----------------|----------------|----------------|--------|
| 1   | 3507.000           | -76.42           | 13.44                  | -62.98          | -13.00         | -49.98         | peak   |



|             |                              |                      |                |
|-------------|------------------------------|----------------------|----------------|
| Standard:   | Part 22H&24E&27              | Test Distance:       | 3 m            |
| Test item:  | Harmonic                     | Power:               | AC 120 V/60 Hz |
| Frequency:  | 1732.5 MHz                   | Temp.(°C)/Hum.(%RH): | 26(°C)/60 %RH  |
| Mode:       | 4 G_BAND 4_3 M-16QAM_CH20175 |                      |                |
| Ant.Polar.: | Horizontal                   |                      |                |

| No. | Frequency<br>(MHz) | Reading<br>(dBm) | Correct Factor<br>(dB) | Result<br>(dBm) | Limit<br>(dBm) | Margin<br>(dB) | Remark |
|-----|--------------------|------------------|------------------------|-----------------|----------------|----------------|--------|
| 1   | 3465.000           | -74.29           | 13.34                  | -60.95          | -13.00         | -47.95         | peak   |

|             |                              |                      |                |
|-------------|------------------------------|----------------------|----------------|
| Standard:   | Part 22H&24E&27              | Test Distance:       | 3 m            |
| Test item:  | Harmonic                     | Power:               | AC 120 V/60 Hz |
| Frequency:  | 1732.5 MHz                   | Temp.(°C)/Hum.(%RH): | 26(°C)/60 %RH  |
| Mode:       | 4 G_BAND 4_3 M-16QAM_CH20175 |                      |                |
| Ant.Polar.: | Vertical                     |                      |                |

| No. | Frequency<br>(MHz) | Reading<br>(dBm) | Correct Factor<br>(dB) | Result<br>(dBm) | Limit<br>(dBm) | Margin<br>(dB) | Remark |
|-----|--------------------|------------------|------------------------|-----------------|----------------|----------------|--------|
| 1   | 3465.000           | -74.35           | 13.34                  | -61.01          | -13.00         | -48.01         | peak   |



|             |                             |                      |                |
|-------------|-----------------------------|----------------------|----------------|
| Standard:   | Part 22H&24E&27             | Test Distance:       | 3 m            |
| Test item:  | Harmonic                    | Power:               | AC 120 V/60 Hz |
| Frequency:  | 1712.5 MHz                  | Temp.(°C)/Hum.(%RH): | 26(°C)/60 %RH  |
| Mode:       | 4 G_BAND 4_5 M_QPSK_CH19975 |                      |                |
| Ant.Polar.: | Horizontal                  |                      |                |

| No. | Frequency<br>(MHz) | Reading<br>(dBm) | Correct Factor<br>(dB) | Result<br>(dBm) | Limit<br>(dBm) | Margin<br>(dB) | Remark |
|-----|--------------------|------------------|------------------------|-----------------|----------------|----------------|--------|
| 1   | 3425.000           | -74.91           | 13.24                  | -61.67          | -13.00         | -48.67         | peak   |

|             |                             |                      |                |
|-------------|-----------------------------|----------------------|----------------|
| Standard:   | Part 22H&24E&27             | Test Distance:       | 3 m            |
| Test item:  | Harmonic                    | Power:               | AC 120 V/60 Hz |
| Frequency:  | 1712.5 MHz                  | Temp.(°C)/Hum.(%RH): | 26(°C)/60 %RH  |
| Mode:       | 4 G_BAND 4_5 M_QPSK_CH19975 |                      |                |
| Ant.Polar.: | Vertical                    |                      |                |

| No. | Frequency<br>(MHz) | Reading<br>(dBm) | Correct Factor<br>(dB) | Result<br>(dBm) | Limit<br>(dBm) | Margin<br>(dB) | Remark |
|-----|--------------------|------------------|------------------------|-----------------|----------------|----------------|--------|
| 1   | 3425.000           | -76.68           | 13.24                  | -63.44          | -13.00         | -50.44         | peak   |





|             |                             |                      |                |
|-------------|-----------------------------|----------------------|----------------|
| Standard:   | Part 22H&24E&27             | Test Distance:       | 3 m            |
| Test item:  | Harmonic                    | Power:               | AC 120 V/60 Hz |
| Frequency:  | 1732.5 MHz                  | Temp.(°C)/Hum.(%RH): | 26(°C)/60 %RH  |
| Mode:       | 4 G_BAND 4_5 M_QPSK_CH20175 |                      |                |
| Ant.Polar.: | Horizontal                  |                      |                |

| No. | Frequency<br>(MHz) | Reading<br>(dBm) | Correct Factor<br>(dB) | Result<br>(dBm) | Limit<br>(dBm) | Margin<br>(dB) | Remark |
|-----|--------------------|------------------|------------------------|-----------------|----------------|----------------|--------|
| 1   | 3465.000           | -75.84           | 13.34                  | -62.50          | -13.00         | -49.50         | peak   |

|             |                             |                      |                |
|-------------|-----------------------------|----------------------|----------------|
| Standard:   | Part 22H&24E&27             | Test Distance:       | 3 m            |
| Test item:  | Harmonic                    | Power:               | AC 120 V/60 Hz |
| Frequency:  | 1732.5 MHz                  | Temp.(°C)/Hum.(%RH): | 26(°C)/60 %RH  |
| Mode:       | 4 G_BAND 4_5 M_QPSK_CH20175 |                      |                |
| Ant.Polar.: | Vertical                    |                      |                |

| No. | Frequency<br>(MHz) | Reading<br>(dBm) | Correct Factor<br>(dB) | Result<br>(dBm) | Limit<br>(dBm) | Margin<br>(dB) | Remark |
|-----|--------------------|------------------|------------------------|-----------------|----------------|----------------|--------|
| 1   | 3465.000           | -73.11           | 13.34                  | -59.77          | -13.00         | -46.77         | peak   |



|             |                             |                      |                |
|-------------|-----------------------------|----------------------|----------------|
| Standard:   | Part 22H&24E&27             | Test Distance:       | 3 m            |
| Test item:  | Harmonic                    | Power:               | AC 120 V/60 Hz |
| Frequency:  | 1752.5 MHz                  | Temp.(°C)/Hum.(%RH): | 26(°C)/60 %RH  |
| Mode:       | 4 G_BAND 4_5 M_QPSK_CH20375 |                      |                |
| Ant.Polar.: | Horizontal                  |                      |                |

| No. | Frequency<br>(MHz) | Reading<br>(dBm) | Correct Factor<br>(dB) | Result<br>(dBm) | Limit<br>(dBm) | Margin<br>(dB) | Remark |
|-----|--------------------|------------------|------------------------|-----------------|----------------|----------------|--------|
| 1   | 3505.000           | -74.73           | 13.43                  | -61.30          | -13.00         | -48.30         | peak   |

|             |                             |                      |                |
|-------------|-----------------------------|----------------------|----------------|
| Standard:   | Part 22H&24E&27             | Test Distance:       | 3 m            |
| Test item:  | Harmonic                    | Power:               | AC 120 V/60 Hz |
| Frequency:  | 1752.5 MHz                  | Temp.(°C)/Hum.(%RH): | 26(°C)/60 %RH  |
| Mode:       | 4 G_BAND 4_5 M_QPSK_CH20375 |                      |                |
| Ant.Polar.: | Vertical                    |                      |                |

| No. | Frequency<br>(MHz) | Reading<br>(dBm) | Correct Factor<br>(dB) | Result<br>(dBm) | Limit<br>(dBm) | Margin<br>(dB) | Remark |
|-----|--------------------|------------------|------------------------|-----------------|----------------|----------------|--------|
| 1   | 3505.000           | -74.84           | 13.43                  | -61.41          | -13.00         | -48.41         | peak   |



|             |                              |                      |                |
|-------------|------------------------------|----------------------|----------------|
| Standard:   | Part 22H&24E&27              | Test Distance:       | 3 m            |
| Test item:  | Harmonic                     | Power:               | AC 120 V/60 Hz |
| Frequency:  | 1732.5 MHz                   | Temp.(°C)/Hum.(%RH): | 26(°C)/60 %RH  |
| Mode:       | 4 G_BAND 4_5 M-16QAM_CH20175 |                      |                |
| Ant.Polar.: | Horizontal                   |                      |                |

| No. | Frequency<br>(MHz) | Reading<br>(dBm) | Correct Factor<br>(dB) | Result<br>(dBm) | Limit<br>(dBm) | Margin<br>(dB) | Remark |
|-----|--------------------|------------------|------------------------|-----------------|----------------|----------------|--------|
| 1   | 3465.000           | -73.16           | 13.34                  | -59.82          | -13.00         | -46.82         | peak   |

|             |                              |                      |                |
|-------------|------------------------------|----------------------|----------------|
| Standard:   | Part 22H&24E&27              | Test Distance:       | 3 m            |
| Test item:  | Harmonic                     | Power:               | AC 120 V/60 Hz |
| Frequency:  | 1732.5 MHz                   | Temp.(°C)/Hum.(%RH): | 26(°C)/60 %RH  |
| Mode:       | 4 G_BAND 4_5 M-16QAM_CH20175 |                      |                |
| Ant.Polar.: | Vertical                     |                      |                |

| No. | Frequency<br>(MHz) | Reading<br>(dBm) | Correct Factor<br>(dB) | Result<br>(dBm) | Limit<br>(dBm) | Margin<br>(dB) | Remark |
|-----|--------------------|------------------|------------------------|-----------------|----------------|----------------|--------|
| 1   | 3465.000           | -77.41           | 13.34                  | -64.07          | -13.00         | -51.07         | peak   |



|             |                              |                      |                |
|-------------|------------------------------|----------------------|----------------|
| Standard:   | Part 22H&24E&27              | Test Distance:       | 3 m            |
| Test item:  | Harmonic                     | Power:               | AC 120 V/60 Hz |
| Frequency:  | 1715 MHz                     | Temp.(°C)/Hum.(%RH): | 26(°C)/60 %RH  |
| Mode:       | 4 G_BAND 4_10 M_QPSK_CH20000 |                      |                |
| Ant.Polar.: | Horizontal                   |                      |                |

| No. | Frequency<br>(MHz) | Reading<br>(dBm) | Correct Factor<br>(dB) | Result<br>(dBm) | Limit<br>(dBm) | Margin<br>(dB) | Remark |
|-----|--------------------|------------------|------------------------|-----------------|----------------|----------------|--------|
| 1   | 3430.000           | -72.98           | 13.24                  | -59.74          | -13.00         | -46.74         | peak   |

|             |                              |                      |                |
|-------------|------------------------------|----------------------|----------------|
| Standard:   | Part 22H&24E&27              | Test Distance:       | 3 m            |
| Test item:  | Harmonic                     | Power:               | AC 120 V/60 Hz |
| Frequency:  | 1715 MHz                     | Temp.(°C)/Hum.(%RH): | 26(°C)/60 %RH  |
| Mode:       | 4 G_BAND 4_10 M_QPSK_CH20000 |                      |                |
| Ant.Polar.: | Vertical                     |                      |                |

| No. | Frequency<br>(MHz) | Reading<br>(dBm) | Correct Factor<br>(dB) | Result<br>(dBm) | Limit<br>(dBm) | Margin<br>(dB) | Remark |
|-----|--------------------|------------------|------------------------|-----------------|----------------|----------------|--------|
| 1   | 3430.000           | -76.93           | 13.24                  | -63.69          | -13.00         | -50.69         | peak   |



|             |                              |                      |                |
|-------------|------------------------------|----------------------|----------------|
| Standard:   | Part 22H&24E&27              | Test Distance:       | 3 m            |
| Test item:  | Harmonic                     | Power:               | AC 120 V/60 Hz |
| Frequency:  | 1732.5 MHz                   | Temp.(°C)/Hum.(%RH): | 26(°C)/60 %RH  |
| Mode:       | 4 G_BAND 4_10 M_QPSK_CH20175 |                      |                |
| Ant.Polar.: | Horizontal                   |                      |                |

| No. | Frequency<br>(MHz) | Reading<br>(dBm) | Correct Factor<br>(dB) | Result<br>(dBm) | Limit<br>(dBm) | Margin<br>(dB) | Remark |
|-----|--------------------|------------------|------------------------|-----------------|----------------|----------------|--------|
| 1   | 3465.000           | -74.27           | 13.34                  | -60.93          | -13.00         | -47.93         | peak   |

|             |                              |                      |                |
|-------------|------------------------------|----------------------|----------------|
| Standard:   | Part 22H&24E&27              | Test Distance:       | 3 m            |
| Test item:  | Harmonic                     | Power:               | AC 120 V/60 Hz |
| Frequency:  | 1732.5 MHz                   | Temp.(°C)/Hum.(%RH): | 26(°C)/60 %RH  |
| Mode:       | 4 G_BAND 4_10 M_QPSK_CH20175 |                      |                |
| Ant.Polar.: | Vertical                     |                      |                |

| No. | Frequency<br>(MHz) | Reading<br>(dBm) | Correct Factor<br>(dB) | Result<br>(dBm) | Limit<br>(dBm) | Margin<br>(dB) | Remark |
|-----|--------------------|------------------|------------------------|-----------------|----------------|----------------|--------|
| 1   | 3465.000           | -75.78           | 13.34                  | -62.44          | -13.00         | -49.44         | peak   |



|             |                              |                      |                |
|-------------|------------------------------|----------------------|----------------|
| Standard:   | Part 22H&24E&27              | Test Distance:       | 3 m            |
| Test item:  | Harmonic                     | Power:               | AC 120 V/60 Hz |
| Frequency:  | 1750 MHz                     | Temp.(°C)/Hum.(%RH): | 26(°C)/60 %RH  |
| Mode:       | 4 G_BAND 4_10 M_QPSK_CH20350 |                      |                |
| Ant.Polar.: | Horizontal                   |                      |                |

| No. | Frequency<br>(MHz) | Reading<br>(dBm) | Correct Factor<br>(dB) | Result<br>(dBm) | Limit<br>(dBm) | Margin<br>(dB) | Remark |
|-----|--------------------|------------------|------------------------|-----------------|----------------|----------------|--------|
| 1   | 3500.000           | -76.52           | 13.41                  | -63.11          | -13.00         | -50.11         | peak   |

|             |                              |                      |                |
|-------------|------------------------------|----------------------|----------------|
| Standard:   | Part 22H&24E&27              | Test Distance:       | 3 m            |
| Test item:  | Harmonic                     | Power:               | AC 120 V/60 Hz |
| Frequency:  | 1750 MHz                     | Temp.(°C)/Hum.(%RH): | 26(°C)/60 %RH  |
| Mode:       | 4 G_BAND 4_10 M_QPSK_CH20350 |                      |                |
| Ant.Polar.: | Vertical                     |                      |                |

| No. | Frequency<br>(MHz) | Reading<br>(dBm) | Correct Factor<br>(dB) | Result<br>(dBm) | Limit<br>(dBm) | Margin<br>(dB) | Remark |
|-----|--------------------|------------------|------------------------|-----------------|----------------|----------------|--------|
| 1   | 3500.000           | -75.83           | 13.41                  | -62.42          | -13.00         | -49.42         | peak   |



|             |                               |                      |                |
|-------------|-------------------------------|----------------------|----------------|
| Standard:   | Part 22H&24E&27               | Test Distance:       | 3 m            |
| Test item:  | Harmonic                      | Power:               | AC 120 V/60 Hz |
| Frequency:  | 1732.5 MHz                    | Temp.(°C)/Hum.(%RH): | 26(°C)/60 %RH  |
| Mode:       | 4 G_BAND 4_10 M-16QAM_CH20175 |                      |                |
| Ant.Polar.: | Horizontal                    |                      |                |

| No. | Frequency<br>(MHz) | Reading<br>(dBm) | Correct Factor<br>(dB) | Result<br>(dBm) | Limit<br>(dBm) | Margin<br>(dB) | Remark |
|-----|--------------------|------------------|------------------------|-----------------|----------------|----------------|--------|
| 1   | 3465.000           | -72.96           | 13.34                  | -59.62          | -13.00         | -46.62         | peak   |

|             |                               |                      |                |
|-------------|-------------------------------|----------------------|----------------|
| Standard:   | Part 22H&24E&27               | Test Distance:       | 3 m            |
| Test item:  | Harmonic                      | Power:               | AC 120 V/60 Hz |
| Frequency:  | 1732.5 MHz                    | Temp.(°C)/Hum.(%RH): | 26(°C)/60 %RH  |
| Mode:       | 4 G_BAND 4_10 M-16QAM_CH20175 |                      |                |
| Ant.Polar.: | Vertical                      |                      |                |

| No. | Frequency<br>(MHz) | Reading<br>(dBm) | Correct Factor<br>(dB) | Result<br>(dBm) | Limit<br>(dBm) | Margin<br>(dB) | Remark |
|-----|--------------------|------------------|------------------------|-----------------|----------------|----------------|--------|
| 1   | 3465.000           | -77.45           | 13.34                  | -64.11          | -13.00         | -51.11         | peak   |



|             |                              |                      |                |
|-------------|------------------------------|----------------------|----------------|
| Standard:   | Part 22H&24E&27              | Test Distance:       | 3 m            |
| Test item:  | Harmonic                     | Power:               | AC 120 V/60 Hz |
| Frequency:  | 1717.5 MHz                   | Temp.(°C)/Hum.(%RH): | 26(°C)/60 %RH  |
| Mode:       | 4 G_BAND 4_15 M_QPSK_CH20025 |                      |                |
| Ant.Polar.: | Horizontal                   |                      |                |

| No. | Frequency<br>(MHz) | Reading<br>(dBm) | Correct Factor<br>(dB) | Result<br>(dBm) | Limit<br>(dBm) | Margin<br>(dB) | Remark |
|-----|--------------------|------------------|------------------------|-----------------|----------------|----------------|--------|
| 1   | 3435.000           | -72.73           | 13.26                  | -59.47          | -13.00         | -46.47         | peak   |

|             |                              |                      |                |
|-------------|------------------------------|----------------------|----------------|
| Standard:   | Part 22H&24E&27              | Test Distance:       | 3 m            |
| Test item:  | Harmonic                     | Power:               | AC 120 V/60 Hz |
| Frequency:  | 1717.5 MHz                   | Temp.(°C)/Hum.(%RH): | 26(°C)/60 %RH  |
| Mode:       | 4 G_BAND 4_15 M_QPSK_CH20025 |                      |                |
| Ant.Polar.: | Vertical                     |                      |                |

| No. | Frequency<br>(MHz) | Reading<br>(dBm) | Correct Factor<br>(dB) | Result<br>(dBm) | Limit<br>(dBm) | Margin<br>(dB) | Remark |
|-----|--------------------|------------------|------------------------|-----------------|----------------|----------------|--------|
| 1   | 3435.000           | -74.57           | 13.26                  | -61.31          | -13.00         | -48.31         | peak   |





|             |                              |                      |                |
|-------------|------------------------------|----------------------|----------------|
| Standard:   | Part 22H&24E&27              | Test Distance:       | 3 m            |
| Test item:  | Harmonic                     | Power:               | AC 120 V/60 Hz |
| Frequency:  | 1732.5 MHz                   | Temp.(°C)/Hum.(%RH): | 26(°C)/60 %RH  |
| Mode:       | 4 G_BAND 4_15 M_QPSK_CH20175 |                      |                |
| Ant.Polar.: | Horizontal                   |                      |                |

| No. | Frequency<br>(MHz) | Reading<br>(dBm) | Correct Factor<br>(dB) | Result<br>(dBm) | Limit<br>(dBm) | Margin<br>(dB) | Remark |
|-----|--------------------|------------------|------------------------|-----------------|----------------|----------------|--------|
| 1   | 3465.000           | -74.76           | 13.34                  | -61.42          | -13.00         | -48.42         | peak   |

|             |                              |                      |                |
|-------------|------------------------------|----------------------|----------------|
| Standard:   | Part 22H&24E&27              | Test Distance:       | 3 m            |
| Test item:  | Harmonic                     | Power:               | AC 120 V/60 Hz |
| Frequency:  | 1732.5 MHz                   | Temp.(°C)/Hum.(%RH): | 26(°C)/60 %RH  |
| Mode:       | 4 G_BAND 4_15 M_QPSK_CH20175 |                      |                |
| Ant.Polar.: | Vertical                     |                      |                |

| No. | Frequency<br>(MHz) | Reading<br>(dBm) | Correct Factor<br>(dB) | Result<br>(dBm) | Limit<br>(dBm) | Margin<br>(dB) | Remark |
|-----|--------------------|------------------|------------------------|-----------------|----------------|----------------|--------|
| 1   | 3465.000           | -76.81           | 13.34                  | -63.47          | -13.00         | -50.47         | peak   |



|             |                              |                      |                |
|-------------|------------------------------|----------------------|----------------|
| Standard:   | Part 22H&24E&27              | Test Distance:       | 3 m            |
| Test item:  | Harmonic                     | Power:               | AC 120 V/60 Hz |
| Frequency:  | 1747.5 MHz                   | Temp.(°C)/Hum.(%RH): | 26(°C)/60 %RH  |
| Mode:       | 4 G_BAND 4_15 M_QPSK_CH20325 |                      |                |
| Ant.Polar.: | Horizontal                   |                      |                |

| No. | Frequency<br>(MHz) | Reading<br>(dBm) | Correct Factor<br>(dB) | Result<br>(dBm) | Limit<br>(dBm) | Margin<br>(dB) | Remark |
|-----|--------------------|------------------|------------------------|-----------------|----------------|----------------|--------|
| 1   | 3495.000           | -74.47           | 13.41                  | -61.06          | -13.00         | -48.06         | peak   |

|             |                              |                      |                |
|-------------|------------------------------|----------------------|----------------|
| Standard:   | Part 22H&24E&27              | Test Distance:       | 3 m            |
| Test item:  | Harmonic                     | Power:               | AC 120 V/60 Hz |
| Frequency:  | 1747.5 MHz                   | Temp.(°C)/Hum.(%RH): | 26(°C)/60 %RH  |
| Mode:       | 4 G_BAND 4_15 M_QPSK_CH20325 |                      |                |
| Ant.Polar.: | Vertical                     |                      |                |

| No. | Frequency<br>(MHz) | Reading<br>(dBm) | Correct Factor<br>(dB) | Result<br>(dBm) | Limit<br>(dBm) | Margin<br>(dB) | Remark |
|-----|--------------------|------------------|------------------------|-----------------|----------------|----------------|--------|
| 1   | 3495.000           | -74.81           | 13.41                  | -61.40          | -13.00         | -48.40         | peak   |



|             |                               |                      |                |
|-------------|-------------------------------|----------------------|----------------|
| Standard:   | Part 22H&24E&27               | Test Distance:       | 3 m            |
| Test item:  | Harmonic                      | Power:               | AC 120 V/60 Hz |
| Frequency:  | 1732.5 MHz                    | Temp.(°C)/Hum.(%RH): | 26(°C)/60 %RH  |
| Mode:       | 4 G_BAND 4_15 M-16QAM_CH20175 |                      |                |
| Ant.Polar.: | Horizontal                    |                      |                |

| No. | Frequency<br>(MHz) | Reading<br>(dBm) | Correct Factor<br>(dB) | Result<br>(dBm) | Limit<br>(dBm) | Margin<br>(dB) | Remark |
|-----|--------------------|------------------|------------------------|-----------------|----------------|----------------|--------|
| 1   | 3465.000           | -73.76           | 13.34                  | -60.42          | -13.00         | -47.42         | peak   |

|             |                               |                      |                |
|-------------|-------------------------------|----------------------|----------------|
| Standard:   | Part 22H&24E&27               | Test Distance:       | 3 m            |
| Test item:  | Harmonic                      | Power:               | AC 120 V/60 Hz |
| Frequency:  | 1732.5 MHz                    | Temp.(°C)/Hum.(%RH): | 26(°C)/60 %RH  |
| Mode:       | 4 G_BAND 4_15 M-16QAM_CH20175 |                      |                |
| Ant.Polar.: | Vertical                      |                      |                |

| No. | Frequency<br>(MHz) | Reading<br>(dBm) | Correct Factor<br>(dB) | Result<br>(dBm) | Limit<br>(dBm) | Margin<br>(dB) | Remark |
|-----|--------------------|------------------|------------------------|-----------------|----------------|----------------|--------|
| 1   | 3465.000           | -75.09           | 13.34                  | -61.75          | -13.00         | -48.75         | peak   |



|             |                              |                      |                |
|-------------|------------------------------|----------------------|----------------|
| Standard:   | Part 22H&24E&27              | Test Distance:       | 3 m            |
| Test item:  | Harmonic                     | Power:               | AC 120 V/60 Hz |
| Frequency:  | 1720 MHz                     | Temp.(°C)/Hum.(%RH): | 26(°C)/60 %RH  |
| Mode:       | 4 G_BAND 4_20 M_QPSK_CH20050 |                      |                |
| Ant.Polar.: | Horizontal                   |                      |                |

| No. | Frequency<br>(MHz) | Reading<br>(dBm) | Correct Factor<br>(dB) | Result<br>(dBm) | Limit<br>(dBm) | Margin<br>(dB) | Remark |
|-----|--------------------|------------------|------------------------|-----------------|----------------|----------------|--------|
| 1   | 3440.000           | -74.56           | 13.27                  | -61.29          | -13.00         | -48.29         | peak   |

|             |                              |                      |                |
|-------------|------------------------------|----------------------|----------------|
| Standard:   | Part 22H&24E&27              | Test Distance:       | 3 m            |
| Test item:  | Harmonic                     | Power:               | AC 120 V/60 Hz |
| Frequency:  | 1720 MHz                     | Temp.(°C)/Hum.(%RH): | 26(°C)/60 %RH  |
| Mode:       | 4 G_BAND 4_20 M_QPSK_CH20050 |                      |                |
| Ant.Polar.: | Vertical                     |                      |                |

| No. | Frequency<br>(MHz) | Reading<br>(dBm) | Correct Factor<br>(dB) | Result<br>(dBm) | Limit<br>(dBm) | Margin<br>(dB) | Remark |
|-----|--------------------|------------------|------------------------|-----------------|----------------|----------------|--------|
| 1   | 3440.000           | -76.77           | 13.27                  | -63.50          | -13.00         | -50.50         | peak   |



|             |                              |                      |                |
|-------------|------------------------------|----------------------|----------------|
| Standard:   | Part 22H&24E&27              | Test Distance:       | 3 m            |
| Test item:  | Harmonic                     | Power:               | AC 120 V/60 Hz |
| Frequency:  | 1732.5 MHz                   | Temp.(°C)/Hum.(%RH): | 26(°C)/60 %RH  |
| Mode:       | 4 G_BAND 4_20 M_QPSK_CH20175 |                      |                |
| Ant.Polar.: | Horizontal                   |                      |                |

| No. | Frequency<br>(MHz) | Reading<br>(dBm) | Correct Factor<br>(dB) | Result<br>(dBm) | Limit<br>(dBm) | Margin<br>(dB) | Remark |
|-----|--------------------|------------------|------------------------|-----------------|----------------|----------------|--------|
| 1   | 3465.000           | -74.91           | 13.34                  | -61.57          | -13.00         | -48.57         | peak   |

|             |                              |                      |                |
|-------------|------------------------------|----------------------|----------------|
| Standard:   | Part 22H&24E&27              | Test Distance:       | 3 m            |
| Test item:  | Harmonic                     | Power:               | AC 120 V/60 Hz |
| Frequency:  | 1732.5 MHz                   | Temp.(°C)/Hum.(%RH): | 26(°C)/60 %RH  |
| Mode:       | 4 G_BAND 4_20 M_QPSK_CH20175 |                      |                |
| Ant.Polar.: | Vertical                     |                      |                |

| No. | Frequency<br>(MHz) | Reading<br>(dBm) | Correct Factor<br>(dB) | Result<br>(dBm) | Limit<br>(dBm) | Margin<br>(dB) | Remark |
|-----|--------------------|------------------|------------------------|-----------------|----------------|----------------|--------|
| 1   | 3465.000           | -75.65           | 13.34                  | -62.31          | -13.00         | -49.31         | peak   |



|             |                              |                      |                |
|-------------|------------------------------|----------------------|----------------|
| Standard:   | Part 22H&24E&27              | Test Distance:       | 3 m            |
| Test item:  | Harmonic                     | Power:               | AC 120 V/60 Hz |
| Frequency:  | 1745 MHz                     | Temp.(°C)/Hum.(%RH): | 26(°C)/60 %RH  |
| Mode:       | 4 G_BAND 4_20 M_QPSK_CH20300 |                      |                |
| Ant.Polar.: | Horizontal                   |                      |                |

| No. | Frequency<br>(MHz) | Reading<br>(dBm) | Correct Factor<br>(dB) | Result<br>(dBm) | Limit<br>(dBm) | Margin<br>(dB) | Remark |
|-----|--------------------|------------------|------------------------|-----------------|----------------|----------------|--------|
| 1   | 3490.000           | -75.92           | 13.39                  | -62.53          | -13.00         | -49.53         | peak   |

|             |                              |                      |                |
|-------------|------------------------------|----------------------|----------------|
| Standard:   | Part 22H&24E&27              | Test Distance:       | 3 m            |
| Test item:  | Harmonic                     | Power:               | AC 120 V/60 Hz |
| Frequency:  | 1745 MHz                     | Temp.(°C)/Hum.(%RH): | 26(°C)/60 %RH  |
| Mode:       | 4 G_BAND 4_20 M_QPSK_CH20300 |                      |                |
| Ant.Polar.: | Vertical                     |                      |                |

| No. | Frequency<br>(MHz) | Reading<br>(dBm) | Correct Factor<br>(dB) | Result<br>(dBm) | Limit<br>(dBm) | Margin<br>(dB) | Remark |
|-----|--------------------|------------------|------------------------|-----------------|----------------|----------------|--------|
| 1   | 3490.000           | -75.87           | 13.39                  | -62.48          | -13.00         | -49.48         | peak   |



|             |                               |                      |                |
|-------------|-------------------------------|----------------------|----------------|
| Standard:   | Part 22H&24E&27               | Test Distance:       | 3 m            |
| Test item:  | Harmonic                      | Power:               | AC 120 V/60 Hz |
| Frequency:  | 1732.5 MHz                    | Temp.(°C)/Hum.(%RH): | 26(°C)/60 %RH  |
| Mode:       | 4 G_BAND 4_20 M-16QAM_CH20175 |                      |                |
| Ant.Polar.: | Horizontal                    |                      |                |

| No. | Frequency<br>(MHz) | Reading<br>(dBm) | Correct Factor<br>(dB) | Result<br>(dBm) | Limit<br>(dBm) | Margin<br>(dB) | Remark |
|-----|--------------------|------------------|------------------------|-----------------|----------------|----------------|--------|
| 1   | 3465.000           | -74.94           | 13.34                  | -61.60          | -13.00         | -48.60         | peak   |

|             |                               |                      |                |
|-------------|-------------------------------|----------------------|----------------|
| Standard:   | Part 22H&24E&27               | Test Distance:       | 3 m            |
| Test item:  | Harmonic                      | Power:               | AC 120 V/60 Hz |
| Frequency:  | 1732.5 MHz                    | Temp.(°C)/Hum.(%RH): | 26(°C)/60 %RH  |
| Mode:       | 4 G_BAND 4_20 M-16QAM_CH20175 |                      |                |
| Ant.Polar.: | Vertical                      |                      |                |

| No. | Frequency<br>(MHz) | Reading<br>(dBm) | Correct Factor<br>(dB) | Result<br>(dBm) | Limit<br>(dBm) | Margin<br>(dB) | Remark |
|-----|--------------------|------------------|------------------------|-----------------|----------------|----------------|--------|
| 1   | 3465.000           | -75.13           | 13.34                  | -61.79          | -13.00         | -48.79         | peak   |



|             |                               |                      |                |
|-------------|-------------------------------|----------------------|----------------|
| Standard:   | Part 22H&24E&27               | Test Distance:       | 3 m            |
| Test item:  | Harmonic                      | Power:               | AC 120 V/60 Hz |
| Frequency:  | 824.7 MHz                     | Temp.(°C)/Hum.(%RH): | 26(°C)/60 %RH  |
| Mode:       | 4 G_BAND 5_1.4 M_QPSK_CH20407 |                      |                |
| Ant.Polar.: | Horizontal                    |                      |                |

| No. | Frequency<br>(MHz) | Reading<br>(dBm) | Correct Factor<br>(dB) | Result<br>(dBm) | Limit<br>(dBm) | Margin<br>(dB) | Remark |
|-----|--------------------|------------------|------------------------|-----------------|----------------|----------------|--------|
| 1   | 1649.400           | -72.95           | 7.62                   | -65.33          | -13.00         | -52.33         | peak   |

|             |                               |                      |                |
|-------------|-------------------------------|----------------------|----------------|
| Standard:   | Part 22H&24E&27               | Test Distance:       | 3 m            |
| Test item:  | Harmonic                      | Power:               | AC 120 V/60 Hz |
| Frequency:  | 824.7 MHz                     | Temp.(°C)/Hum.(%RH): | 26(°C)/60 %RH  |
| Mode:       | 4 G_BAND 5_1.4 M_QPSK_CH20407 |                      |                |
| Ant.Polar.: | Vertical                      |                      |                |

| No. | Frequency<br>(MHz) | Reading<br>(dBm) | Correct Factor<br>(dB) | Result<br>(dBm) | Limit<br>(dBm) | Margin<br>(dB) | Remark |
|-----|--------------------|------------------|------------------------|-----------------|----------------|----------------|--------|
| 1   | 1649.400           | -71.12           | 7.62                   | -63.50          | -13.00         | -50.50         | peak   |





|             |                               |                      |                |
|-------------|-------------------------------|----------------------|----------------|
| Standard:   | Part 22H&24E&27               | Test Distance:       | 3 m            |
| Test item:  | Harmonic                      | Power:               | AC 120 V/60 Hz |
| Frequency:  | 836.5 MHz                     | Temp.(°C)/Hum.(%RH): | 26(°C)/60 %RH  |
| Mode:       | 4 G_BAND 5_1.4 M_QPSK_CH20525 |                      |                |
| Ant.Polar.: | Horizontal                    |                      |                |

| No. | Frequency<br>(MHz) | Reading<br>(dBm) | Correct Factor<br>(dB) | Result<br>(dBm) | Limit<br>(dBm) | Margin<br>(dB) | Remark |
|-----|--------------------|------------------|------------------------|-----------------|----------------|----------------|--------|
| 1   | 1673.000           | -70.16           | 7.72                   | -62.44          | -13.00         | -49.44         | peak   |

|             |                               |                      |                |
|-------------|-------------------------------|----------------------|----------------|
| Standard:   | Part 22H&24E&27               | Test Distance:       | 3 m            |
| Test item:  | Harmonic                      | Power:               | AC 120 V/60 Hz |
| Frequency:  | 836.5 MHz                     | Temp.(°C)/Hum.(%RH): | 26(°C)/60 %RH  |
| Mode:       | 4 G_BAND 5_1.4 M_QPSK_CH20525 |                      |                |
| Ant.Polar.: | Vertical                      |                      |                |

| No. | Frequency<br>(MHz) | Reading<br>(dBm) | Correct Factor<br>(dB) | Result<br>(dBm) | Limit<br>(dBm) | Margin<br>(dB) | Remark |
|-----|--------------------|------------------|------------------------|-----------------|----------------|----------------|--------|
| 1   | 1673.000           | -70.55           | 7.72                   | -62.83          | -13.00         | -49.83         | peak   |



|             |                               |                      |                |
|-------------|-------------------------------|----------------------|----------------|
| Standard:   | Part 22H&24E&27               | Test Distance:       | 3 m            |
| Test item:  | Harmonic                      | Power:               | AC 120 V/60 Hz |
| Frequency:  | 848.3 MHz                     | Temp.(°C)/Hum.(%RH): | 26(°C)/60 %RH  |
| Mode:       | 4 G_BAND 5_1.4 M_QPSK_CH20643 |                      |                |
| Ant.Polar.: | Horizontal                    |                      |                |

| No. | Frequency<br>(MHz) | Reading<br>(dBm) | Correct Factor<br>(dB) | Result<br>(dBm) | Limit<br>(dBm) | Margin<br>(dB) | Remark |
|-----|--------------------|------------------|------------------------|-----------------|----------------|----------------|--------|
| 1   | 1696.600           | -72.57           | 7.80                   | -64.77          | -13.00         | -51.77         | peak   |

|             |                               |                      |                |
|-------------|-------------------------------|----------------------|----------------|
| Standard:   | Part 22H&24E&27               | Test Distance:       | 3 m            |
| Test item:  | Harmonic                      | Power:               | AC 120 V/60 Hz |
| Frequency:  | 848.3 MHz                     | Temp.(°C)/Hum.(%RH): | 26(°C)/60 %RH  |
| Mode:       | 4 G_BAND 5_1.4 M_QPSK_CH20643 |                      |                |
| Ant.Polar.: | Vertical                      |                      |                |

| No. | Frequency<br>(MHz) | Reading<br>(dBm) | Correct Factor<br>(dB) | Result<br>(dBm) | Limit<br>(dBm) | Margin<br>(dB) | Remark |
|-----|--------------------|------------------|------------------------|-----------------|----------------|----------------|--------|
| 1   | 1696.600           | -71.32           | 7.80                   | -63.52          | -13.00         | -50.52         | peak   |



|             |                                |                      |                |
|-------------|--------------------------------|----------------------|----------------|
| Standard:   | Part 22H&24E&27                | Test Distance:       | 3 m            |
| Test item:  | Harmonic                       | Power:               | AC 120 V/60 Hz |
| Frequency:  | 836.5 MHz                      | Temp.(°C)/Hum.(%RH): | 26(°C)/60 %RH  |
| Mode:       | 4 G_BAND 5_1.4 M-16QAM_CH20525 |                      |                |
| Ant.Polar.: | Horizontal                     |                      |                |

| No. | Frequency<br>(MHz) | Reading<br>(dBm) | Correct Factor<br>(dB) | Result<br>(dBm) | Limit<br>(dBm) | Margin<br>(dB) | Remark |
|-----|--------------------|------------------|------------------------|-----------------|----------------|----------------|--------|
| 1   | 1673.000           | -71.11           | 7.72                   | -63.39          | -13.00         | -50.39         | peak   |

|             |                                |                      |                |
|-------------|--------------------------------|----------------------|----------------|
| Standard:   | Part 22H&24E&27                | Test Distance:       | 3 m            |
| Test item:  | Harmonic                       | Power:               | AC 120 V/60 Hz |
| Frequency:  | 836.5 MHz                      | Temp.(°C)/Hum.(%RH): | 26(°C)/60 %RH  |
| Mode:       | 4 G_BAND 5_1.4 M-16QAM_CH20525 |                      |                |
| Ant.Polar.: | Vertical                       |                      |                |

| No. | Frequency<br>(MHz) | Reading<br>(dBm) | Correct Factor<br>(dB) | Result<br>(dBm) | Limit<br>(dBm) | Margin<br>(dB) | Remark |
|-----|--------------------|------------------|------------------------|-----------------|----------------|----------------|--------|
| 1   | 1673.000           | -68.53           | 7.72                   | -60.81          | -13.00         | -47.81         | peak   |



|             |                             |                      |                |
|-------------|-----------------------------|----------------------|----------------|
| Standard:   | Part 22H&24E&27             | Test Distance:       | 3 m            |
| Test item:  | Harmonic                    | Power:               | AC 120 V/60 Hz |
| Frequency:  | 825.5 MHz                   | Temp.(°C)/Hum.(%RH): | 26(°C)/60 %RH  |
| Mode:       | 4 G_BAND 5_3 M_QPSK_CH20415 |                      |                |
| Ant.Polar.: | Horizontal                  |                      |                |

| No. | Frequency<br>(MHz) | Reading<br>(dBm) | Correct Factor<br>(dB) | Result<br>(dBm) | Limit<br>(dBm) | Margin<br>(dB) | Remark |
|-----|--------------------|------------------|------------------------|-----------------|----------------|----------------|--------|
| 1   | 1651.000           | -69.92           | 7.63                   | -62.29          | -13.00         | -49.29         | peak   |

|             |                             |                      |                |
|-------------|-----------------------------|----------------------|----------------|
| Standard:   | Part 22H&24E&27             | Test Distance:       | 3 m            |
| Test item:  | Harmonic                    | Power:               | AC 120 V/60 Hz |
| Frequency:  | 825.5 MHz                   | Temp.(°C)/Hum.(%RH): | 26(°C)/60 %RH  |
| Mode:       | 4 G_BAND 5_3 M_QPSK_CH20415 |                      |                |
| Ant.Polar.: | Vertical                    |                      |                |

| No. | Frequency<br>(MHz) | Reading<br>(dBm) | Correct Factor<br>(dB) | Result<br>(dBm) | Limit<br>(dBm) | Margin<br>(dB) | Remark |
|-----|--------------------|------------------|------------------------|-----------------|----------------|----------------|--------|
| 1   | 1651.000           | -70.35           | 7.63                   | -62.72          | -13.00         | -49.72         | peak   |



|             |                             |                      |                |
|-------------|-----------------------------|----------------------|----------------|
| Standard:   | Part 22H&24E&27             | Test Distance:       | 3 m            |
| Test item:  | Harmonic                    | Power:               | AC 120 V/60 Hz |
| Frequency:  | 836.5 MHz                   | Temp.(°C)/Hum.(%RH): | 26(°C)/60 %RH  |
| Mode:       | 4 G_BAND 5_3 M_QPSK_CH20525 |                      |                |
| Ant.Polar.: | Horizontal                  |                      |                |

| No. | Frequency<br>(MHz) | Reading<br>(dBm) | Correct Factor<br>(dB) | Result<br>(dBm) | Limit<br>(dBm) | Margin<br>(dB) | Remark |
|-----|--------------------|------------------|------------------------|-----------------|----------------|----------------|--------|
| 1   | 1673.000           | -69.18           | 7.72                   | -61.46          | -13.00         | -48.46         | peak   |

|             |                             |                      |                |
|-------------|-----------------------------|----------------------|----------------|
| Standard:   | Part 22H&24E&27             | Test Distance:       | 3 m            |
| Test item:  | Harmonic                    | Power:               | AC 120 V/60 Hz |
| Frequency:  | 836.5 MHz                   | Temp.(°C)/Hum.(%RH): | 26(°C)/60 %RH  |
| Mode:       | 4 G_BAND 5_3 M_QPSK_CH20525 |                      |                |
| Ant.Polar.: | Vertical                    |                      |                |

| No. | Frequency<br>(MHz) | Reading<br>(dBm) | Correct Factor<br>(dB) | Result<br>(dBm) | Limit<br>(dBm) | Margin<br>(dB) | Remark |
|-----|--------------------|------------------|------------------------|-----------------|----------------|----------------|--------|
| 1   | 1673.000           | -70.70           | 7.72                   | -62.98          | -13.00         | -49.98         | peak   |



|             |                             |                      |                |
|-------------|-----------------------------|----------------------|----------------|
| Standard:   | Part 22H&24E&27             | Test Distance:       | 3 m            |
| Test item:  | Harmonic                    | Power:               | AC 120 V/60 Hz |
| Frequency:  | 847.5 MHz                   | Temp.(°C)/Hum.(%RH): | 26(°C)/60 %RH  |
| Mode:       | 4 G_BAND 5_3 M_QPSK_CH20635 |                      |                |
| Ant.Polar.: | Horizontal                  |                      |                |

| No. | Frequency<br>(MHz) | Reading<br>(dBm) | Correct Factor<br>(dB) | Result<br>(dBm) | Limit<br>(dBm) | Margin<br>(dB) | Remark |
|-----|--------------------|------------------|------------------------|-----------------|----------------|----------------|--------|
| 1   | 1695.000           | -70.64           | 7.81                   | -62.83          | -13.00         | -49.83         | peak   |

|             |                             |                      |                |
|-------------|-----------------------------|----------------------|----------------|
| Standard:   | Part 22H&24E&27             | Test Distance:       | 3 m            |
| Test item:  | Harmonic                    | Power:               | AC 120 V/60 Hz |
| Frequency:  | 847.5 MHz                   | Temp.(°C)/Hum.(%RH): | 26(°C)/60 %RH  |
| Mode:       | 4 G_BAND 5_3 M_QPSK_CH20635 |                      |                |
| Ant.Polar.: | Vertical                    |                      |                |

| No. | Frequency<br>(MHz) | Reading<br>(dBm) | Correct Factor<br>(dB) | Result<br>(dBm) | Limit<br>(dBm) | Margin<br>(dB) | Remark |
|-----|--------------------|------------------|------------------------|-----------------|----------------|----------------|--------|
| 1   | 1695.000           | -71.39           | 7.81                   | -63.58          | -13.00         | -50.58         | peak   |



|             |                              |                      |                |
|-------------|------------------------------|----------------------|----------------|
| Standard:   | Part 22H&24E&27              | Test Distance:       | 3 m            |
| Test item:  | Harmonic                     | Power:               | AC 120 V/60 Hz |
| Frequency:  | 836.5 MHz                    | Temp.(°C)/Hum.(%RH): | 26(°C)/60 %RH  |
| Mode:       | 4 G_BAND 5_3 M-16QAM_CH20525 |                      |                |
| Ant.Polar.: | Horizontal                   |                      |                |

| No. | Frequency<br>(MHz) | Reading<br>(dBm) | Correct Factor<br>(dB) | Result<br>(dBm) | Limit<br>(dBm) | Margin<br>(dB) | Remark |
|-----|--------------------|------------------|------------------------|-----------------|----------------|----------------|--------|
| 1   | 1673.000           | -71.87           | 7.72                   | -64.15          | -13.00         | -51.15         | peak   |

|             |                              |                      |                |
|-------------|------------------------------|----------------------|----------------|
| Standard:   | Part 22H&24E&27              | Test Distance:       | 3 m            |
| Test item:  | Harmonic                     | Power:               | AC 120 V/60 Hz |
| Frequency:  | 836.5 MHz                    | Temp.(°C)/Hum.(%RH): | 26(°C)/60 %RH  |
| Mode:       | 4 G_BAND 5_3 M-16QAM_CH20525 |                      |                |
| Ant.Polar.: | Vertical                     |                      |                |

| No. | Frequency<br>(MHz) | Reading<br>(dBm) | Correct Factor<br>(dB) | Result<br>(dBm) | Limit<br>(dBm) | Margin<br>(dB) | Remark |
|-----|--------------------|------------------|------------------------|-----------------|----------------|----------------|--------|
| 1   | 1673.000           | -70.73           | 7.72                   | -63.01          | -13.00         | -50.01         | peak   |



|             |                             |                      |                |
|-------------|-----------------------------|----------------------|----------------|
| Standard:   | Part 22H&24E&27             | Test Distance:       | 3 m            |
| Test item:  | Harmonic                    | Power:               | AC 120 V/60 Hz |
| Frequency:  | 826.5 MHz                   | Temp.(°C)/Hum.(%RH): | 26(°C)/60 %RH  |
| Mode:       | 4 G_BAND 5_5 M_QPSK_CH20425 |                      |                |
| Ant.Polar.: | Horizontal                  |                      |                |

| No. | Frequency<br>(MHz) | Reading<br>(dBm) | Correct Factor<br>(dB) | Result<br>(dBm) | Limit<br>(dBm) | Margin<br>(dB) | Remark |
|-----|--------------------|------------------|------------------------|-----------------|----------------|----------------|--------|
| 1   | 1653.000           | -72.14           | 7.63                   | -64.51          | -13.00         | -51.51         | peak   |

|             |                             |                      |                |
|-------------|-----------------------------|----------------------|----------------|
| Standard:   | Part 22H&24E&27             | Test Distance:       | 3 m            |
| Test item:  | Harmonic                    | Power:               | AC 120 V/60 Hz |
| Frequency:  | 826.5 MHz                   | Temp.(°C)/Hum.(%RH): | 26(°C)/60 %RH  |
| Mode:       | 4 G_BAND 5_5 M_QPSK_CH20425 |                      |                |
| Ant.Polar.: | Vertical                    |                      |                |

| No. | Frequency<br>(MHz) | Reading<br>(dBm) | Correct Factor<br>(dB) | Result<br>(dBm) | Limit<br>(dBm) | Margin<br>(dB) | Remark |
|-----|--------------------|------------------|------------------------|-----------------|----------------|----------------|--------|
| 1   | 1653.000           | -71.94           | 7.63                   | -64.31          | -13.00         | -51.31         | peak   |





|             |                             |                      |                |
|-------------|-----------------------------|----------------------|----------------|
| Standard:   | Part 22H&24E&27             | Test Distance:       | 3 m            |
| Test item:  | Harmonic                    | Power:               | AC 120 V/60 Hz |
| Frequency:  | 836.5 MHz                   | Temp.(°C)/Hum.(%RH): | 26(°C)/60 %RH  |
| Mode:       | 4 G_BAND 5_5 M_QPSK_CH20525 |                      |                |
| Ant.Polar.: | Horizontal                  |                      |                |

| No. | Frequency<br>(MHz) | Reading<br>(dBm) | Correct Factor<br>(dB) | Result<br>(dBm) | Limit<br>(dBm) | Margin<br>(dB) | Remark |
|-----|--------------------|------------------|------------------------|-----------------|----------------|----------------|--------|
| 1   | 1673.000           | -68.21           | 7.72                   | -60.49          | -13.00         | -47.49         | peak   |

|             |                             |                      |                |
|-------------|-----------------------------|----------------------|----------------|
| Standard:   | Part 22H&24E&27             | Test Distance:       | 3 m            |
| Test item:  | Harmonic                    | Power:               | AC 120 V/60 Hz |
| Frequency:  | 836.5 MHz                   | Temp.(°C)/Hum.(%RH): | 26(°C)/60 %RH  |
| Mode:       | 4 G_BAND 5_5 M_QPSK_CH20525 |                      |                |
| Ant.Polar.: | Vertical                    |                      |                |

| No. | Frequency<br>(MHz) | Reading<br>(dBm) | Correct Factor<br>(dB) | Result<br>(dBm) | Limit<br>(dBm) | Margin<br>(dB) | Remark |
|-----|--------------------|------------------|------------------------|-----------------|----------------|----------------|--------|
| 1   | 1673.000           | -71.94           | 7.72                   | -64.22          | -13.00         | -51.22         | peak   |



|             |                             |                      |                |
|-------------|-----------------------------|----------------------|----------------|
| Standard:   | Part 22H&24E&27             | Test Distance:       | 3 m            |
| Test item:  | Harmonic                    | Power:               | AC 120 V/60 Hz |
| Frequency:  | 846.5 MHz                   | Temp.(°C)/Hum.(%RH): | 26(°C)/60 %RH  |
| Mode:       | 4 G_BAND 5_5 M_QPSK_CH20625 |                      |                |
| Ant.Polar.: | Horizontal                  |                      |                |

| No. | Frequency<br>(MHz) | Reading<br>(dBm) | Correct Factor<br>(dB) | Result<br>(dBm) | Limit<br>(dBm) | Margin<br>(dB) | Remark |
|-----|--------------------|------------------|------------------------|-----------------|----------------|----------------|--------|
| 1   | 1693.000           | -71.21           | 7.79                   | -63.42          | -13.00         | -50.42         | peak   |

|             |                             |                      |                |
|-------------|-----------------------------|----------------------|----------------|
| Standard:   | Part 22H&24E&27             | Test Distance:       | 3 m            |
| Test item:  | Harmonic                    | Power:               | AC 120 V/60 Hz |
| Frequency:  | 846.5 MHz                   | Temp.(°C)/Hum.(%RH): | 26(°C)/60 %RH  |
| Mode:       | 4 G_BAND 5_5 M_QPSK_CH20625 |                      |                |
| Ant.Polar.: | Vertical                    |                      |                |

| No. | Frequency<br>(MHz) | Reading<br>(dBm) | Correct Factor<br>(dB) | Result<br>(dBm) | Limit<br>(dBm) | Margin<br>(dB) | Remark |
|-----|--------------------|------------------|------------------------|-----------------|----------------|----------------|--------|
| 1   | 1693.000           | -71.20           | 7.79                   | -63.41          | -13.00         | -50.41         | peak   |



|             |                              |                      |                |
|-------------|------------------------------|----------------------|----------------|
| Standard:   | Part 22H&24E&27              | Test Distance:       | 3 m            |
| Test item:  | Harmonic                     | Power:               | AC 120 V/60 Hz |
| Frequency:  | 836.5 MHz                    | Temp.(°C)/Hum.(%RH): | 26(°C)/60 %RH  |
| Mode:       | 4 G_BAND 5_5 M-16QAM_CH20525 |                      |                |
| Ant.Polar.: | Horizontal                   |                      |                |

| No. | Frequency<br>(MHz) | Reading<br>(dBm) | Correct Factor<br>(dB) | Result<br>(dBm) | Limit<br>(dBm) | Margin<br>(dB) | Remark |
|-----|--------------------|------------------|------------------------|-----------------|----------------|----------------|--------|
| 1   | 1673.000           | -72.16           | 7.72                   | -64.44          | -13.00         | -51.44         | peak   |

|             |                              |                      |                |
|-------------|------------------------------|----------------------|----------------|
| Standard:   | Part 22H&24E&27              | Test Distance:       | 3 m            |
| Test item:  | Harmonic                     | Power:               | AC 120 V/60 Hz |
| Frequency:  | 836.5 MHz                    | Temp.(°C)/Hum.(%RH): | 26(°C)/60 %RH  |
| Mode:       | 4 G_BAND 5_5 M-16QAM_CH20525 |                      |                |
| Ant.Polar.: | Vertical                     |                      |                |

| No. | Frequency<br>(MHz) | Reading<br>(dBm) | Correct Factor<br>(dB) | Result<br>(dBm) | Limit<br>(dBm) | Margin<br>(dB) | Remark |
|-----|--------------------|------------------|------------------------|-----------------|----------------|----------------|--------|
| 1   | 1673.000           | -70.09           | 7.72                   | -62.37          | -13.00         | -49.37         | peak   |



|             |                              |                      |                |
|-------------|------------------------------|----------------------|----------------|
| Standard:   | Part 22H&24E&27              | Test Distance:       | 3 m            |
| Test item:  | Harmonic                     | Power:               | AC 120 V/60 Hz |
| Frequency:  | 829 MHz                      | Temp.(°C)/Hum.(%RH): | 26(°C)/60 %RH  |
| Mode:       | 4 G_BAND 5_10 M_QPSK_CH20450 |                      |                |
| Ant.Polar.: | Horizontal                   |                      |                |

| No. | Frequency<br>(MHz) | Reading<br>(dBm) | Correct Factor<br>(dB) | Result<br>(dBm) | Limit<br>(dBm) | Margin<br>(dB) | Remark |
|-----|--------------------|------------------|------------------------|-----------------|----------------|----------------|--------|
| 1   | 1658.000           | -71.36           | 7.65                   | -63.71          | -13.00         | -50.71         | peak   |

|             |                              |                      |                |
|-------------|------------------------------|----------------------|----------------|
| Standard:   | Part 22H&24E&27              | Test Distance:       | 3 m            |
| Test item:  | Harmonic                     | Power:               | AC 120 V/60 Hz |
| Frequency:  | 829 MHz                      | Temp.(°C)/Hum.(%RH): | 26(°C)/60 %RH  |
| Mode:       | 4 G_BAND 5_10 M_QPSK_CH20450 |                      |                |
| Ant.Polar.: | Vertical                     |                      |                |

| No. | Frequency<br>(MHz) | Reading<br>(dBm) | Correct Factor<br>(dB) | Result<br>(dBm) | Limit<br>(dBm) | Margin<br>(dB) | Remark |
|-----|--------------------|------------------|------------------------|-----------------|----------------|----------------|--------|
| 1   | 1658.000           | -70.99           | 7.65                   | -63.34          | -13.00         | -50.34         | peak   |



|             |                              |                      |                |
|-------------|------------------------------|----------------------|----------------|
| Standard:   | Part 22H&24E&27              | Test Distance:       | 3 m            |
| Test item:  | Harmonic                     | Power:               | AC 120 V/60 Hz |
| Frequency:  | 836.5 MHz                    | Temp.(°C)/Hum.(%RH): | 26(°C)/60 %RH  |
| Mode:       | 4 G_BAND 5_10 M_QPSK_CH20525 |                      |                |
| Ant.Polar.: | Horizontal                   |                      |                |

| No. | Frequency<br>(MHz) | Reading<br>(dBm) | Correct Factor<br>(dB) | Result<br>(dBm) | Limit<br>(dBm) | Margin<br>(dB) | Remark |
|-----|--------------------|------------------|------------------------|-----------------|----------------|----------------|--------|
| 1   | 1673.000           | -70.78           | 7.72                   | -63.06          | -13.00         | -50.06         | peak   |

|             |                              |                      |                |
|-------------|------------------------------|----------------------|----------------|
| Standard:   | Part 22H&24E&27              | Test Distance:       | 3 m            |
| Test item:  | Harmonic                     | Power:               | AC 120 V/60 Hz |
| Frequency:  | 836.5 MHz                    | Temp.(°C)/Hum.(%RH): | 26(°C)/60 %RH  |
| Mode:       | 4 G_BAND 5_10 M_QPSK_CH20525 |                      |                |
| Ant.Polar.: | Vertical                     |                      |                |

| No. | Frequency<br>(MHz) | Reading<br>(dBm) | Correct Factor<br>(dB) | Result<br>(dBm) | Limit<br>(dBm) | Margin<br>(dB) | Remark |
|-----|--------------------|------------------|------------------------|-----------------|----------------|----------------|--------|
| 1   | 1673.000           | -69.06           | 7.72                   | -61.34          | -13.00         | -48.34         | peak   |



|             |                              |                      |                |
|-------------|------------------------------|----------------------|----------------|
| Standard:   | Part 22H&24E&27              | Test Distance:       | 3 m            |
| Test item:  | Harmonic                     | Power:               | AC 120 V/60 Hz |
| Frequency:  | 844 MHz                      | Temp.(°C)/Hum.(%RH): | 26(°C)/60 %RH  |
| Mode:       | 4 G_BAND 5_10 M_QPSK_CH20600 |                      |                |
| Ant.Polar.: | Horizontal                   |                      |                |

| No. | Frequency<br>(MHz) | Reading<br>(dBm) | Correct Factor<br>(dB) | Result<br>(dBm) | Limit<br>(dBm) | Margin<br>(dB) | Remark |
|-----|--------------------|------------------|------------------------|-----------------|----------------|----------------|--------|
| 1   | 1688.000           | -70.26           | 7.77                   | -62.49          | -13.00         | -49.49         | peak   |

|             |                              |                      |                |
|-------------|------------------------------|----------------------|----------------|
| Standard:   | Part 22H&24E&27              | Test Distance:       | 3 m            |
| Test item:  | Harmonic                     | Power:               | AC 120 V/60 Hz |
| Frequency:  | 844 MHz                      | Temp.(°C)/Hum.(%RH): | 26(°C)/60 %RH  |
| Mode:       | 4 G_BAND 5_10 M_QPSK_CH20600 |                      |                |
| Ant.Polar.: | Vertical                     |                      |                |

| No. | Frequency<br>(MHz) | Reading<br>(dBm) | Correct Factor<br>(dB) | Result<br>(dBm) | Limit<br>(dBm) | Margin<br>(dB) | Remark |
|-----|--------------------|------------------|------------------------|-----------------|----------------|----------------|--------|
| 1   | 1688.000           | -70.86           | 7.77                   | -63.09          | -13.00         | -50.09         | peak   |



|             |                               |                      |                |
|-------------|-------------------------------|----------------------|----------------|
| Standard:   | Part 22H&24E&27               | Test Distance:       | 3 m            |
| Test item:  | Harmonic                      | Power:               | AC 120 V/60 Hz |
| Frequency:  | 836.5 MHz                     | Temp.(°C)/Hum.(%RH): | 26(°C)/60 %RH  |
| Mode:       | 4 G_BAND 5_10 M-16QAM_CH20525 |                      |                |
| Ant.Polar.: | Horizontal                    |                      |                |

| No. | Frequency<br>(MHz) | Reading<br>(dBm) | Correct Factor<br>(dB) | Result<br>(dBm) | Limit<br>(dBm) | Margin<br>(dB) | Remark |
|-----|--------------------|------------------|------------------------|-----------------|----------------|----------------|--------|
| 1   | 1673.000           | -70.47           | 7.72                   | -62.75          | -13.00         | -49.75         | peak   |

|             |                               |                      |                |
|-------------|-------------------------------|----------------------|----------------|
| Standard:   | Part 22H&24E&27               | Test Distance:       | 3 m            |
| Test item:  | Harmonic                      | Power:               | AC 120 V/60 Hz |
| Frequency:  | 836.5 MHz                     | Temp.(°C)/Hum.(%RH): | 26(°C)/60 %RH  |
| Mode:       | 4 G_BAND 5_10 M-16QAM_CH20525 |                      |                |
| Ant.Polar.: | Vertical                      |                      |                |

| No. | Frequency<br>(MHz) | Reading<br>(dBm) | Correct Factor<br>(dB) | Result<br>(dBm) | Limit<br>(dBm) | Margin<br>(dB) | Remark |
|-----|--------------------|------------------|------------------------|-----------------|----------------|----------------|--------|
| 1   | 1673.000           | -71.45           | 7.72                   | -63.73          | -13.00         | -50.73         | peak   |



|             |                             |                      |                |
|-------------|-----------------------------|----------------------|----------------|
| Standard:   | Part 22H&24E&27             | Test Distance:       | 3 m            |
| Test item:  | Harmonic                    | Power:               | AC 120 V/60 Hz |
| Frequency:  | 2502.5 MHz                  | Temp.(°C)/Hum.(%RH): | 26(°C)/60 %RH  |
| Mode:       | 4 G_BAND 7_5 M_QPSK_CH20775 |                      |                |
| Ant.Polar.: | Horizontal                  |                      |                |

| No. | Frequency<br>(MHz) | Reading<br>(dBm) | Correct Factor<br>(dB) | Result<br>(dBm) | Limit<br>(dBm) | Margin<br>(dB) | Remark |
|-----|--------------------|------------------|------------------------|-----------------|----------------|----------------|--------|
| 1   | 5005.000           | -77.15           | 18.02                  | -59.13          | -13.00         | -46.13         | peak   |

|             |                             |                      |                |
|-------------|-----------------------------|----------------------|----------------|
| Standard:   | Part 22H&24E&27             | Test Distance:       | 3 m            |
| Test item:  | Harmonic                    | Power:               | AC 120 V/60 Hz |
| Frequency:  | 2502.5 MHz                  | Temp.(°C)/Hum.(%RH): | 26(°C)/60 %RH  |
| Mode:       | 4 G_BAND 7_5 M_QPSK_CH20775 |                      |                |
| Ant.Polar.: | Vertical                    |                      |                |

| No. | Frequency<br>(MHz) | Reading<br>(dBm) | Correct Factor<br>(dB) | Result<br>(dBm) | Limit<br>(dBm) | Margin<br>(dB) | Remark |
|-----|--------------------|------------------|------------------------|-----------------|----------------|----------------|--------|
| 1   | 5005.000           | -76.13           | 18.02                  | -58.11          | -13.00         | -45.11         | peak   |





|             |                             |                      |                |
|-------------|-----------------------------|----------------------|----------------|
| Standard:   | Part 22H&24E&27             | Test Distance:       | 3 m            |
| Test item:  | Harmonic                    | Power:               | AC 120 V/60 Hz |
| Frequency:  | 2535 MHz                    | Temp.(°C)/Hum.(%RH): | 26(°C)/60 %RH  |
| Mode:       | 4 G_BAND 7_5 M_QPSK_CH21100 |                      |                |
| Ant.Polar.: | Horizontal                  |                      |                |

| No. | Frequency<br>(MHz) | Reading<br>(dBm) | Correct Factor<br>(dB) | Result<br>(dBm) | Limit<br>(dBm) | Margin<br>(dB) | Remark |
|-----|--------------------|------------------|------------------------|-----------------|----------------|----------------|--------|
| 1   | 5070.000           | -74.56           | 18.14                  | -56.42          | -13.00         | -43.42         | peak   |

|             |                             |                      |                |
|-------------|-----------------------------|----------------------|----------------|
| Standard:   | Part 22H&24E&27             | Test Distance:       | 3 m            |
| Test item:  | Harmonic                    | Power:               | AC 120 V/60 Hz |
| Frequency:  | 2535 MHz                    | Temp.(°C)/Hum.(%RH): | 26(°C)/60 %RH  |
| Mode:       | 4 G_BAND 7_5 M_QPSK_CH21100 |                      |                |
| Ant.Polar.: | Vertical                    |                      |                |

| No. | Frequency<br>(MHz) | Reading<br>(dBm) | Correct Factor<br>(dB) | Result<br>(dBm) | Limit<br>(dBm) | Margin<br>(dB) | Remark |
|-----|--------------------|------------------|------------------------|-----------------|----------------|----------------|--------|
| 1   | 5070.000           | -76.05           | 18.14                  | -57.91          | -13.00         | -44.91         | peak   |



|             |                             |                      |                |
|-------------|-----------------------------|----------------------|----------------|
| Standard:   | Part 22H&24E&27             | Test Distance:       | 3 m            |
| Test item:  | Harmonic                    | Power:               | AC 120 V/60 Hz |
| Frequency:  | 2567.5 MHz                  | Temp.(°C)/Hum.(%RH): | 26(°C)/60 %RH  |
| Mode:       | 4 G_BAND 7_5 M_QPSK_CH21425 |                      |                |
| Ant.Polar.: | Horizontal                  |                      |                |

| No. | Frequency<br>(MHz) | Reading<br>(dBm) | Correct Factor<br>(dB) | Result<br>(dBm) | Limit<br>(dBm) | Margin<br>(dB) | Remark |
|-----|--------------------|------------------|------------------------|-----------------|----------------|----------------|--------|
| 1   | 5135.000           | -75.03           | 18.26                  | -56.77          | -13.00         | -43.77         | peak   |

|             |                             |                      |                |
|-------------|-----------------------------|----------------------|----------------|
| Standard:   | Part 22H&24E&27             | Test Distance:       | 3 m            |
| Test item:  | Harmonic                    | Power:               | AC 120 V/60 Hz |
| Frequency:  | 2567.5 MHz                  | Temp.(°C)/Hum.(%RH): | 26(°C)/60 %RH  |
| Mode:       | 4 G_BAND 7_5 M_QPSK_CH21425 |                      |                |
| Ant.Polar.: | Vertical                    |                      |                |

| No. | Frequency<br>(MHz) | Reading<br>(dBm) | Correct Factor<br>(dB) | Result<br>(dBm) | Limit<br>(dBm) | Margin<br>(dB) | Remark |
|-----|--------------------|------------------|------------------------|-----------------|----------------|----------------|--------|
| 1   | 5135.000           | -77.44           | 18.26                  | -59.18          | -13.00         | -46.18         | peak   |



|             |                              |                      |                |
|-------------|------------------------------|----------------------|----------------|
| Standard:   | Part 22H&24E&27              | Test Distance:       | 3 m            |
| Test item:  | Harmonic                     | Power:               | AC 120 V/60 Hz |
| Frequency:  | 2535 MHz                     | Temp.(°C)/Hum.(%RH): | 26(°C)/60 %RH  |
| Mode:       | 4 G_BAND 7_5 M-16QAM_CH21100 |                      |                |
| Ant.Polar.: | Horizontal                   |                      |                |

| No. | Frequency<br>(MHz) | Reading<br>(dBm) | Correct Factor<br>(dB) | Result<br>(dBm) | Limit<br>(dBm) | Margin<br>(dB) | Remark |
|-----|--------------------|------------------|------------------------|-----------------|----------------|----------------|--------|
| 1   | 5070.000           | -76.36           | 18.14                  | -58.22          | -13.00         | -45.22         | peak   |

|             |                              |                      |                |
|-------------|------------------------------|----------------------|----------------|
| Standard:   | Part 22H&24E&27              | Test Distance:       | 3 m            |
| Test item:  | Harmonic                     | Power:               | AC 120 V/60 Hz |
| Frequency:  | 2535 MHz                     | Temp.(°C)/Hum.(%RH): | 26(°C)/60 %RH  |
| Mode:       | 4 G_BAND 7_5 M-16QAM_CH21100 |                      |                |
| Ant.Polar.: | Vertical                     |                      |                |

| No. | Frequency<br>(MHz) | Reading<br>(dBm) | Correct Factor<br>(dB) | Result<br>(dBm) | Limit<br>(dBm) | Margin<br>(dB) | Remark |
|-----|--------------------|------------------|------------------------|-----------------|----------------|----------------|--------|
| 1   | 5070.000           | -75.53           | 18.14                  | -57.39          | -13.00         | -44.39         | peak   |



|             |                              |                      |                |
|-------------|------------------------------|----------------------|----------------|
| Standard:   | Part 22H&24E&27              | Test Distance:       | 3 m            |
| Test item:  | Harmonic                     | Power:               | AC 120 V/60 Hz |
| Frequency:  | 2505 MHz                     | Temp.(°C)/Hum.(%RH): | 26(°C)/60 %RH  |
| Mode:       | 4 G_BAND 7_10 M_QPSK_CH20800 |                      |                |
| Ant.Polar.: | Horizontal                   |                      |                |

| No. | Frequency<br>(MHz) | Reading<br>(dBm) | Correct Factor<br>(dB) | Result<br>(dBm) | Limit<br>(dBm) | Margin<br>(dB) | Remark |
|-----|--------------------|------------------|------------------------|-----------------|----------------|----------------|--------|
| 1   | 5010.000           | -74.55           | 18.03                  | -56.52          | -13.00         | -43.52         | peak   |

|             |                              |                      |                |
|-------------|------------------------------|----------------------|----------------|
| Standard:   | Part 22H&24E&27              | Test Distance:       | 3 m            |
| Test item:  | Harmonic                     | Power:               | AC 120 V/60 Hz |
| Frequency:  | 2505 MHz                     | Temp.(°C)/Hum.(%RH): | 26(°C)/60 %RH  |
| Mode:       | 4 G_BAND 7_10 M_QPSK_CH20800 |                      |                |
| Ant.Polar.: | Vertical                     |                      |                |

| No. | Frequency<br>(MHz) | Reading<br>(dBm) | Correct Factor<br>(dB) | Result<br>(dBm) | Limit<br>(dBm) | Margin<br>(dB) | Remark |
|-----|--------------------|------------------|------------------------|-----------------|----------------|----------------|--------|
| 1   | 5010.000           | -76.76           | 18.03                  | -58.73          | -13.00         | -45.73         | peak   |



|             |                              |                      |                |
|-------------|------------------------------|----------------------|----------------|
| Standard:   | Part 22H&24E&27              | Test Distance:       | 3 m            |
| Test item:  | Harmonic                     | Power:               | AC 120 V/60 Hz |
| Frequency:  | 2535 MHz                     | Temp.(°C)/Hum.(%RH): | 26(°C)/60 %RH  |
| Mode:       | 4 G_BAND 7_10 M_QPSK_CH21100 |                      |                |
| Ant.Polar.: | Horizontal                   |                      |                |

| No. | Frequency<br>(MHz) | Reading<br>(dBm) | Correct Factor<br>(dB) | Result<br>(dBm) | Limit<br>(dBm) | Margin<br>(dB) | Remark |
|-----|--------------------|------------------|------------------------|-----------------|----------------|----------------|--------|
| 1   | 5070.000           | -75.11           | 18.14                  | -56.97          | -13.00         | -43.97         | peak   |

|             |                              |                      |                |
|-------------|------------------------------|----------------------|----------------|
| Standard:   | Part 22H&24E&27              | Test Distance:       | 3 m            |
| Test item:  | Harmonic                     | Power:               | AC 120 V/60 Hz |
| Frequency:  | 2535 MHz                     | Temp.(°C)/Hum.(%RH): | 26(°C)/60 %RH  |
| Mode:       | 4 G_BAND 7_10 M_QPSK_CH21100 |                      |                |
| Ant.Polar.: | Vertical                     |                      |                |

| No. | Frequency<br>(MHz) | Reading<br>(dBm) | Correct Factor<br>(dB) | Result<br>(dBm) | Limit<br>(dBm) | Margin<br>(dB) | Remark |
|-----|--------------------|------------------|------------------------|-----------------|----------------|----------------|--------|
| 1   | 5070.000           | -74.80           | 18.14                  | -56.66          | -13.00         | -43.66         | peak   |



|             |                              |                      |                |
|-------------|------------------------------|----------------------|----------------|
| Standard:   | Part 22H&24E&27              | Test Distance:       | 3 m            |
| Test item:  | Harmonic                     | Power:               | AC 120 V/60 Hz |
| Frequency:  | 2565 MHz                     | Temp.(°C)/Hum.(%RH): | 26(°C)/60 %RH  |
| Mode:       | 4 G_BAND 7_10 M_QPSK_CH21400 |                      |                |
| Ant.Polar.: | Horizontal                   |                      |                |

| No. | Frequency<br>(MHz) | Reading<br>(dBm) | Correct Factor<br>(dB) | Result<br>(dBm) | Limit<br>(dBm) | Margin<br>(dB) | Remark |
|-----|--------------------|------------------|------------------------|-----------------|----------------|----------------|--------|
| 1   | 5130.000           | -75.40           | 18.26                  | -57.14          | -13.00         | -44.14         | peak   |

|             |                              |                      |                |
|-------------|------------------------------|----------------------|----------------|
| Standard:   | Part 22H&24E&27              | Test Distance:       | 3 m            |
| Test item:  | Harmonic                     | Power:               | AC 120 V/60 Hz |
| Frequency:  | 2565 MHz                     | Temp.(°C)/Hum.(%RH): | 26(°C)/60 %RH  |
| Mode:       | 4 G_BAND 7_10 M_QPSK_CH21400 |                      |                |
| Ant.Polar.: | Vertical                     |                      |                |

| No. | Frequency<br>(MHz) | Reading<br>(dBm) | Correct Factor<br>(dB) | Result<br>(dBm) | Limit<br>(dBm) | Margin<br>(dB) | Remark |
|-----|--------------------|------------------|------------------------|-----------------|----------------|----------------|--------|
| 1   | 5130.000           | -75.10           | 18.26                  | -56.84          | -13.00         | -43.84         | peak   |



|             |                               |                      |                |
|-------------|-------------------------------|----------------------|----------------|
| Standard:   | Part 22H&24E&27               | Test Distance:       | 3 m            |
| Test item:  | Harmonic                      | Power:               | AC 120 V/60 Hz |
| Frequency:  | 2535 MHz                      | Temp.(°C)/Hum.(%RH): | 26(°C)/60 %RH  |
| Mode:       | 4 G_BAND 7_10 M-16QAM_CH21100 |                      |                |
| Ant.Polar.: | Horizontal                    |                      |                |

| No. | Frequency<br>(MHz) | Reading<br>(dBm) | Correct Factor<br>(dB) | Result<br>(dBm) | Limit<br>(dBm) | Margin<br>(dB) | Remark |
|-----|--------------------|------------------|------------------------|-----------------|----------------|----------------|--------|
| 1   | 5070.000           | -73.85           | 18.14                  | -55.71          | -13.00         | -42.71         | peak   |

|             |                               |                      |                |
|-------------|-------------------------------|----------------------|----------------|
| Standard:   | Part 22H&24E&27               | Test Distance:       | 3 m            |
| Test item:  | Harmonic                      | Power:               | AC 120 V/60 Hz |
| Frequency:  | 2535 MHz                      | Temp.(°C)/Hum.(%RH): | 26(°C)/60 %RH  |
| Mode:       | 4 G_BAND 7_10 M-16QAM_CH21100 |                      |                |
| Ant.Polar.: | Vertical                      |                      |                |

| No. | Frequency<br>(MHz) | Reading<br>(dBm) | Correct Factor<br>(dB) | Result<br>(dBm) | Limit<br>(dBm) | Margin<br>(dB) | Remark |
|-----|--------------------|------------------|------------------------|-----------------|----------------|----------------|--------|
| 1   | 5070.000           | -74.03           | 18.14                  | -55.89          | -13.00         | -42.89         | peak   |



|             |                              |                      |                |
|-------------|------------------------------|----------------------|----------------|
| Standard:   | Part 22H&24E&27              | Test Distance:       | 3 m            |
| Test item:  | Harmonic                     | Power:               | AC 120 V/60 Hz |
| Frequency:  | 2507.5 MHz                   | Temp.(°C)/Hum.(%RH): | 26(°C)/60 %RH  |
| Mode:       | 4 G_BAND 7_15 M_QPSK_CH20825 |                      |                |
| Ant.Polar.: | Horizontal                   |                      |                |

| No. | Frequency<br>(MHz) | Reading<br>(dBm) | Correct Factor<br>(dB) | Result<br>(dBm) | Limit<br>(dBm) | Margin<br>(dB) | Remark |
|-----|--------------------|------------------|------------------------|-----------------|----------------|----------------|--------|
| 1   | 5015.000           | -75.57           | 18.03                  | -57.54          | -13.00         | -44.54         | peak   |

|             |                              |                      |                |
|-------------|------------------------------|----------------------|----------------|
| Standard:   | Part 22H&24E&27              | Test Distance:       | 3 m            |
| Test item:  | Harmonic                     | Power:               | AC 120 V/60 Hz |
| Frequency:  | 2507.5 MHz                   | Temp.(°C)/Hum.(%RH): | 26(°C)/60 %RH  |
| Mode:       | 4 G_BAND 7_15 M_QPSK_CH20825 |                      |                |
| Ant.Polar.: | Vertical                     |                      |                |

| No. | Frequency<br>(MHz) | Reading<br>(dBm) | Correct Factor<br>(dB) | Result<br>(dBm) | Limit<br>(dBm) | Margin<br>(dB) | Remark |
|-----|--------------------|------------------|------------------------|-----------------|----------------|----------------|--------|
| 1   | 5015.000           | -74.71           | 18.03                  | -56.68          | -13.00         | -43.68         | peak   |





|             |                              |                      |                |
|-------------|------------------------------|----------------------|----------------|
| Standard:   | Part 22H&24E&27              | Test Distance:       | 3 m            |
| Test item:  | Harmonic                     | Power:               | AC 120 V/60 Hz |
| Frequency:  | 2535 MHz                     | Temp.(°C)/Hum.(%RH): | 26(°C)/60 %RH  |
| Mode:       | 4 G_BAND 7_15 M_QPSK_CH21100 |                      |                |
| Ant.Polar.: | Horizontal                   |                      |                |

| No. | Frequency (MHz) | Reading (dBm) | Correct Factor (dB) | Result (dBm) | Limit (dBm) | Margin (dB) | Remark |
|-----|-----------------|---------------|---------------------|--------------|-------------|-------------|--------|
| 1   | 5070.000        | -75.98        | 18.14               | -57.84       | -13.00      | -44.84      | peak   |

|             |                              |                      |                |
|-------------|------------------------------|----------------------|----------------|
| Standard:   | Part 22H&24E&27              | Test Distance:       | 3 m            |
| Test item:  | Harmonic                     | Power:               | AC 120 V/60 Hz |
| Frequency:  | 2535 MHz                     | Temp.(°C)/Hum.(%RH): | 26(°C)/60 %RH  |
| Mode:       | 4 G_BAND 7_15 M_QPSK_CH21100 |                      |                |
| Ant.Polar.: | Vertical                     |                      |                |

| No. | Frequency (MHz) | Reading (dBm) | Correct Factor (dB) | Result (dBm) | Limit (dBm) | Margin (dB) | Remark |
|-----|-----------------|---------------|---------------------|--------------|-------------|-------------|--------|
| 1   | 5070.000        | -74.81        | 18.14               | -56.67       | -13.00      | -43.67      | peak   |



|             |                              |                      |                |
|-------------|------------------------------|----------------------|----------------|
| Standard:   | Part 22H&24E&27              | Test Distance:       | 3 m            |
| Test item:  | Harmonic                     | Power:               | AC 120 V/60 Hz |
| Frequency:  | 2562.5 MHz                   | Temp.(°C)/Hum.(%RH): | 26(°C)/60 %RH  |
| Mode:       | 4 G_BAND 7_15 M_QPSK_CH21375 |                      |                |
| Ant.Polar.: | Horizontal                   |                      |                |

| No. | Frequency<br>(MHz) | Reading<br>(dBm) | Correct Factor<br>(dB) | Result<br>(dBm) | Limit<br>(dBm) | Margin<br>(dB) | Remark |
|-----|--------------------|------------------|------------------------|-----------------|----------------|----------------|--------|
| 1   | 5125.000           | -74.09           | 18.25                  | -55.84          | -13.00         | -42.84         | peak   |

|             |                              |                      |                |
|-------------|------------------------------|----------------------|----------------|
| Standard:   | Part 22H&24E&27              | Test Distance:       | 3 m            |
| Test item:  | Harmonic                     | Power:               | AC 120 V/60 Hz |
| Frequency:  | 2562.5 MHz                   | Temp.(°C)/Hum.(%RH): | 26(°C)/60 %RH  |
| Mode:       | 4 G_BAND 7_15 M_QPSK_CH21375 |                      |                |
| Ant.Polar.: | Vertical                     |                      |                |

| No. | Frequency<br>(MHz) | Reading<br>(dBm) | Correct Factor<br>(dB) | Result<br>(dBm) | Limit<br>(dBm) | Margin<br>(dB) | Remark |
|-----|--------------------|------------------|------------------------|-----------------|----------------|----------------|--------|
| 1   | 5125.000           | -75.59           | 18.25                  | -57.34          | -13.00         | -44.34         | peak   |



|             |                               |                      |                |
|-------------|-------------------------------|----------------------|----------------|
| Standard:   | Part 22H&24E&27               | Test Distance:       | 3 m            |
| Test item:  | Harmonic                      | Power:               | AC 120 V/60 Hz |
| Frequency:  | 2535 MHz                      | Temp.(°C)/Hum.(%RH): | 26(°C)/60 %RH  |
| Mode:       | 4 G_BAND 7_15 M-16QAM_CH21100 |                      |                |
| Ant.Polar.: | Horizontal                    |                      |                |

| No. | Frequency<br>(MHz) | Reading<br>(dBm) | Correct Factor<br>(dB) | Result<br>(dBm) | Limit<br>(dBm) | Margin<br>(dB) | Remark |
|-----|--------------------|------------------|------------------------|-----------------|----------------|----------------|--------|
| 1   | 5070.000           | -76.65           | 18.14                  | -58.51          | -13.00         | -45.51         | peak   |

|             |                               |                      |                |
|-------------|-------------------------------|----------------------|----------------|
| Standard:   | Part 22H&24E&27               | Test Distance:       | 3 m            |
| Test item:  | Harmonic                      | Power:               | AC 120 V/60 Hz |
| Frequency:  | 2535 MHz                      | Temp.(°C)/Hum.(%RH): | 26(°C)/60 %RH  |
| Mode:       | 4 G_BAND 7_15 M-16QAM_CH21100 |                      |                |
| Ant.Polar.: | Vertical                      |                      |                |

| No. | Frequency<br>(MHz) | Reading<br>(dBm) | Correct Factor<br>(dB) | Result<br>(dBm) | Limit<br>(dBm) | Margin<br>(dB) | Remark |
|-----|--------------------|------------------|------------------------|-----------------|----------------|----------------|--------|
| 1   | 5070.000           | -75.19           | 18.14                  | -57.05          | -13.00         | -44.05         | peak   |



|             |                              |                      |                |
|-------------|------------------------------|----------------------|----------------|
| Standard:   | Part 22H&24E&27              | Test Distance:       | 3 m            |
| Test item:  | Harmonic                     | Power:               | AC 120 V/60 Hz |
| Frequency:  | 2510 MHz                     | Temp.(°C)/Hum.(%RH): | 26(°C)/60 %RH  |
| Mode:       | 4 G_BAND 7_20 M_QPSK_CH20850 |                      |                |
| Ant.Polar.: | Horizontal                   |                      |                |

| No. | Frequency<br>(MHz) | Reading<br>(dBm) | Correct Factor<br>(dB) | Result<br>(dBm) | Limit<br>(dBm) | Margin<br>(dB) | Remark |
|-----|--------------------|------------------|------------------------|-----------------|----------------|----------------|--------|
| 1   | 5020.000           | -74.42           | 18.04                  | -56.38          | -13.00         | -43.38         | peak   |

|             |                              |                      |                |
|-------------|------------------------------|----------------------|----------------|
| Standard:   | Part 22H&24E&27              | Test Distance:       | 3 m            |
| Test item:  | Harmonic                     | Power:               | AC 120 V/60 Hz |
| Frequency:  | 2510 MHz                     | Temp.(°C)/Hum.(%RH): | 26(°C)/60 %RH  |
| Mode:       | 4 G_BAND 7_20 M_QPSK_CH20850 |                      |                |
| Ant.Polar.: | Vertical                     |                      |                |

| No. | Frequency<br>(MHz) | Reading<br>(dBm) | Correct Factor<br>(dB) | Result<br>(dBm) | Limit<br>(dBm) | Margin<br>(dB) | Remark |
|-----|--------------------|------------------|------------------------|-----------------|----------------|----------------|--------|
| 1   | 5020.000           | -73.81           | 18.04                  | -55.77          | -13.00         | -42.77         | peak   |



|             |                              |                      |                |
|-------------|------------------------------|----------------------|----------------|
| Standard:   | Part 22H&24E&27              | Test Distance:       | 3 m            |
| Test item:  | Harmonic                     | Power:               | AC 120 V/60 Hz |
| Frequency:  | 2535 MHz                     | Temp.(°C)/Hum.(%RH): | 26(°C)/60 %RH  |
| Mode:       | 4 G_BAND 7_20 M_QPSK_CH21100 |                      |                |
| Ant.Polar.: | Horizontal                   |                      |                |

| No. | Frequency<br>(MHz) | Reading<br>(dBm) | Correct Factor<br>(dB) | Result<br>(dBm) | Limit<br>(dBm) | Margin<br>(dB) | Remark |
|-----|--------------------|------------------|------------------------|-----------------|----------------|----------------|--------|
| 1   | 5070.000           | -77.04           | 18.14                  | -58.90          | -13.00         | -45.90         | peak   |

|             |                              |                      |                |
|-------------|------------------------------|----------------------|----------------|
| Standard:   | Part 22H&24E&27              | Test Distance:       | 3 m            |
| Test item:  | Harmonic                     | Power:               | AC 120 V/60 Hz |
| Frequency:  | 2535 MHz                     | Temp.(°C)/Hum.(%RH): | 26(°C)/60 %RH  |
| Mode:       | 4 G_BAND 7_20 M_QPSK_CH21100 |                      |                |
| Ant.Polar.: | Vertical                     |                      |                |

| No. | Frequency<br>(MHz) | Reading<br>(dBm) | Correct Factor<br>(dB) | Result<br>(dBm) | Limit<br>(dBm) | Margin<br>(dB) | Remark |
|-----|--------------------|------------------|------------------------|-----------------|----------------|----------------|--------|
| 1   | 5070.000           | -75.26           | 18.14                  | -57.12          | -13.00         | -44.12         | peak   |



|             |                              |                      |                |
|-------------|------------------------------|----------------------|----------------|
| Standard:   | Part 22H&24E&27              | Test Distance:       | 3 m            |
| Test item:  | Harmonic                     | Power:               | AC 120 V/60 Hz |
| Frequency:  | 2560 MHz                     | Temp.(°C)/Hum.(%RH): | 26(°C)/60 %RH  |
| Mode:       | 4 G_BAND 7_20 M_QPSK_CH21350 |                      |                |
| Ant.Polar.: | Horizontal                   |                      |                |

| No. | Frequency<br>(MHz) | Reading<br>(dBm) | Correct Factor<br>(dB) | Result<br>(dBm) | Limit<br>(dBm) | Margin<br>(dB) | Remark |
|-----|--------------------|------------------|------------------------|-----------------|----------------|----------------|--------|
| 1   | 5120.000           | -75.54           | 18.24                  | -57.30          | -13.00         | -44.30         | peak   |

|             |                              |                      |                |
|-------------|------------------------------|----------------------|----------------|
| Standard:   | Part 22H&24E&27              | Test Distance:       | 3 m            |
| Test item:  | Harmonic                     | Power:               | AC 120 V/60 Hz |
| Frequency:  | 2560 MHz                     | Temp.(°C)/Hum.(%RH): | 26(°C)/60 %RH  |
| Mode:       | 4 G_BAND 7_20 M_QPSK_CH21350 |                      |                |
| Ant.Polar.: | Vertical                     |                      |                |

| No. | Frequency<br>(MHz) | Reading<br>(dBm) | Correct Factor<br>(dB) | Result<br>(dBm) | Limit<br>(dBm) | Margin<br>(dB) | Remark |
|-----|--------------------|------------------|------------------------|-----------------|----------------|----------------|--------|
| 1   | 5120.000           | -75.46           | 18.24                  | -57.22          | -13.00         | -44.22         | peak   |



|             |                               |                      |                |
|-------------|-------------------------------|----------------------|----------------|
| Standard:   | Part 22H&24E&27               | Test Distance:       | 3 m            |
| Test item:  | Harmonic                      | Power:               | AC 120 V/60 Hz |
| Frequency:  | 2535 MHz                      | Temp.(°C)/Hum.(%RH): | 26(°C)/60 %RH  |
| Mode:       | 4 G_BAND 7_20 M-16QAM_CH21100 |                      |                |
| Ant.Polar.: | Horizontal                    |                      |                |

| No. | Frequency<br>(MHz) | Reading<br>(dBm) | Correct Factor<br>(dB) | Result<br>(dBm) | Limit<br>(dBm) | Margin<br>(dB) | Remark |
|-----|--------------------|------------------|------------------------|-----------------|----------------|----------------|--------|
| 1   | 5070.000           | -75.69           | 18.14                  | -57.55          | -13.00         | -44.55         | peak   |

|             |                               |                      |                |
|-------------|-------------------------------|----------------------|----------------|
| Standard:   | Part 22H&24E&27               | Test Distance:       | 3 m            |
| Test item:  | Harmonic                      | Power:               | AC 120 V/60 Hz |
| Frequency:  | 2535 MHz                      | Temp.(°C)/Hum.(%RH): | 26(°C)/60 %RH  |
| Mode:       | 4 G_BAND 7_20 M-16QAM_CH21100 |                      |                |
| Ant.Polar.: | Vertical                      |                      |                |

| No. | Frequency<br>(MHz) | Reading<br>(dBm) | Correct Factor<br>(dB) | Result<br>(dBm) | Limit<br>(dBm) | Margin<br>(dB) | Remark |
|-----|--------------------|------------------|------------------------|-----------------|----------------|----------------|--------|
| 1   | 5070.000           | -76.38           | 18.14                  | -58.24          | -13.00         | -45.24         | peak   |



|             |                                |                      |                |
|-------------|--------------------------------|----------------------|----------------|
| Standard:   | Part 22H&24E&27                | Test Distance:       | 3 m            |
| Test item:  | Harmonic                       | Power:               | AC 120 V/60 Hz |
| Frequency:  | 699.7 MHz                      | Temp.(°C)/Hum.(%RH): | 26(°C)/60 %RH  |
| Mode:       | 4 G_BAND 12_1.4 M_QPSK_CH23017 |                      |                |
| Ant.Polar.: | Horizontal                     |                      |                |

| No. | Frequency<br>(MHz) | Reading<br>(dBm) | Correct Factor<br>(dB) | Result<br>(dBm) | Limit<br>(dBm) | Margin<br>(dB) | Remark |
|-----|--------------------|------------------|------------------------|-----------------|----------------|----------------|--------|
| 1   | 1399.400           | -71.92           | 6.50                   | -65.42          | -13.00         | -52.42         | peak   |

|             |                                |                      |                |
|-------------|--------------------------------|----------------------|----------------|
| Standard:   | Part 22H&24E&27                | Test Distance:       | 3 m            |
| Test item:  | Harmonic                       | Power:               | AC 120 V/60 Hz |
| Frequency:  | 699.7 MHz                      | Temp.(°C)/Hum.(%RH): | 26(°C)/60 %RH  |
| Mode:       | 4 G_BAND 12_1.4 M_QPSK_CH23017 |                      |                |
| Ant.Polar.: | Vertical                       |                      |                |

| No. | Frequency<br>(MHz) | Reading<br>(dBm) | Correct Factor<br>(dB) | Result<br>(dBm) | Limit<br>(dBm) | Margin<br>(dB) | Remark |
|-----|--------------------|------------------|------------------------|-----------------|----------------|----------------|--------|
| 1   | 1399.400           | -70.51           | 6.50                   | -64.01          | -13.00         | -51.01         | peak   |





|             |                                |                      |                |
|-------------|--------------------------------|----------------------|----------------|
| Standard:   | Part 22H&24E&27                | Test Distance:       | 3 m            |
| Test item:  | Harmonic                       | Power:               | AC 120 V/60 Hz |
| Frequency:  | 707.5 MHz                      | Temp.(°C)/Hum.(%RH): | 26(°C)/60 %RH  |
| Mode:       | 4 G_BAND 12_1.4 M_QPSK_CH23095 |                      |                |
| Ant.Polar.: | Horizontal                     |                      |                |

| No. | Frequency<br>(MHz) | Reading<br>(dBm) | Correct Factor<br>(dB) | Result<br>(dBm) | Limit<br>(dBm) | Margin<br>(dB) | Remark |
|-----|--------------------|------------------|------------------------|-----------------|----------------|----------------|--------|
| 1   | 1415.000           | -72.97           | 6.58                   | -66.39          | -13.00         | -53.39         | peak   |

|             |                                |                      |                |
|-------------|--------------------------------|----------------------|----------------|
| Standard:   | Part 22H&24E&27                | Test Distance:       | 3 m            |
| Test item:  | Harmonic                       | Power:               | AC 120 V/60 Hz |
| Frequency:  | 707.5 MHz                      | Temp.(°C)/Hum.(%RH): | 26(°C)/60 %RH  |
| Mode:       | 4 G_BAND 12_1.4 M_QPSK_CH23095 |                      |                |
| Ant.Polar.: | Vertical                       |                      |                |

| No. | Frequency<br>(MHz) | Reading<br>(dBm) | Correct Factor<br>(dB) | Result<br>(dBm) | Limit<br>(dBm) | Margin<br>(dB) | Remark |
|-----|--------------------|------------------|------------------------|-----------------|----------------|----------------|--------|
| 1   | 1415.000           | -70.53           | 6.58                   | -63.95          | -13.00         | -50.95         | peak   |



|             |                                |                      |                |
|-------------|--------------------------------|----------------------|----------------|
| Standard:   | Part 22H&24E&27                | Test Distance:       | 3 m            |
| Test item:  | Harmonic                       | Power:               | AC 120 V/60 Hz |
| Frequency:  | 715.3 MHz                      | Temp.(°C)/Hum.(%RH): | 26(°C)/60 %RH  |
| Mode:       | 4 G_BAND 12_1.4 M_QPSK_CH23173 |                      |                |
| Ant.Polar.: | Horizontal                     |                      |                |

| No. | Frequency<br>(MHz) | Reading<br>(dBm) | Correct Factor<br>(dB) | Result<br>(dBm) | Limit<br>(dBm) | Margin<br>(dB) | Remark |
|-----|--------------------|------------------|------------------------|-----------------|----------------|----------------|--------|
| 1   | 1430.600           | -71.64           | 6.66                   | -64.98          | -13.00         | -51.98         | peak   |

|             |                                |                      |                |
|-------------|--------------------------------|----------------------|----------------|
| Standard:   | Part 22H&24E&27                | Test Distance:       | 3 m            |
| Test item:  | Harmonic                       | Power:               | AC 120 V/60 Hz |
| Frequency:  | 715.3 MHz                      | Temp.(°C)/Hum.(%RH): | 26(°C)/60 %RH  |
| Mode:       | 4 G_BAND 12_1.4 M_QPSK_CH23173 |                      |                |
| Ant.Polar.: | Vertical                       |                      |                |

| No. | Frequency<br>(MHz) | Reading<br>(dBm) | Correct Factor<br>(dB) | Result<br>(dBm) | Limit<br>(dBm) | Margin<br>(dB) | Remark |
|-----|--------------------|------------------|------------------------|-----------------|----------------|----------------|--------|
| 1   | 1430.600           | -71.21           | 6.66                   | -64.55          | -13.00         | -51.55         | peak   |



|             |                                 |                      |                |
|-------------|---------------------------------|----------------------|----------------|
| Standard:   | Part 22H&24E&27                 | Test Distance:       | 3 m            |
| Test item:  | Harmonic                        | Power:               | AC 120 V/60 Hz |
| Frequency:  | 707.5 MHz                       | Temp.(°C)/Hum.(%RH): | 26(°C)/60 %RH  |
| Mode:       | 4 G_BAND 12_1.4 M-16QAM_CH23095 |                      |                |
| Ant.Polar.: | Horizontal                      |                      |                |

| No. | Frequency<br>(MHz) | Reading<br>(dBm) | Correct Factor<br>(dB) | Result<br>(dBm) | Limit<br>(dBm) | Margin<br>(dB) | Remark |
|-----|--------------------|------------------|------------------------|-----------------|----------------|----------------|--------|
| 1   | 1415.000           | -71.82           | 6.58                   | -65.24          | -13.00         | -52.24         | peak   |

|             |                                 |                      |                |
|-------------|---------------------------------|----------------------|----------------|
| Standard:   | Part 22H&24E&27                 | Test Distance:       | 3 m            |
| Test item:  | Harmonic                        | Power:               | AC 120 V/60 Hz |
| Frequency:  | 707.5 MHz                       | Temp.(°C)/Hum.(%RH): | 26(°C)/60 %RH  |
| Mode:       | 4 G_BAND 12_1.4 M-16QAM_CH23095 |                      |                |
| Ant.Polar.: | Vertical                        |                      |                |

| No. | Frequency<br>(MHz) | Reading<br>(dBm) | Correct Factor<br>(dB) | Result<br>(dBm) | Limit<br>(dBm) | Margin<br>(dB) | Remark |
|-----|--------------------|------------------|------------------------|-----------------|----------------|----------------|--------|
| 1   | 1415.000           | -72.05           | 6.58                   | -65.47          | -13.00         | -52.47         | peak   |



|             |                              |                      |                |
|-------------|------------------------------|----------------------|----------------|
| Standard:   | Part 22H&24E&27              | Test Distance:       | 3 m            |
| Test item:  | Harmonic                     | Power:               | AC 120 V/60 Hz |
| Frequency:  | 700.5 MHz                    | Temp.(°C)/Hum.(%RH): | 26(°C)/60 %RH  |
| Mode:       | 4 G_BAND 12_3 M_QPSK_CH23025 |                      |                |
| Ant.Polar.: | Horizontal                   |                      |                |

| No. | Frequency<br>(MHz) | Reading<br>(dBm) | Correct Factor<br>(dB) | Result<br>(dBm) | Limit<br>(dBm) | Margin<br>(dB) | Remark |
|-----|--------------------|------------------|------------------------|-----------------|----------------|----------------|--------|
| 1   | 1401.000           | -71.36           | 6.51                   | -64.85          | -13.00         | -51.85         | peak   |

|             |                              |                      |                |
|-------------|------------------------------|----------------------|----------------|
| Standard:   | Part 22H&24E&27              | Test Distance:       | 3 m            |
| Test item:  | Harmonic                     | Power:               | AC 120 V/60 Hz |
| Frequency:  | 700.5 MHz                    | Temp.(°C)/Hum.(%RH): | 26(°C)/60 %RH  |
| Mode:       | 4 G_BAND 12_3 M_QPSK_CH23025 |                      |                |
| Ant.Polar.: | Vertical                     |                      |                |

| No. | Frequency<br>(MHz) | Reading<br>(dBm) | Correct Factor<br>(dB) | Result<br>(dBm) | Limit<br>(dBm) | Margin<br>(dB) | Remark |
|-----|--------------------|------------------|------------------------|-----------------|----------------|----------------|--------|
| 1   | 1401.000           | -71.88           | 6.51                   | -65.37          | -13.00         | -52.37         | peak   |



|             |                              |                      |                |
|-------------|------------------------------|----------------------|----------------|
| Standard:   | Part 22H&24E&27              | Test Distance:       | 3 m            |
| Test item:  | Harmonic                     | Power:               | AC 120 V/60 Hz |
| Frequency:  | 707.5 MHz                    | Temp.(°C)/Hum.(%RH): | 26(°C)/60 %RH  |
| Mode:       | 4 G_BAND 12_3 M_QPSK_CH23095 |                      |                |
| Ant.Polar.: | Horizontal                   |                      |                |

| No. | Frequency<br>(MHz) | Reading<br>(dBm) | Correct Factor<br>(dB) | Result<br>(dBm) | Limit<br>(dBm) | Margin<br>(dB) | Remark |
|-----|--------------------|------------------|------------------------|-----------------|----------------|----------------|--------|
| 1   | 1415.000           | -70.65           | 6.58                   | -64.07          | -13.00         | -51.07         | peak   |

|             |                              |                      |                |
|-------------|------------------------------|----------------------|----------------|
| Standard:   | Part 22H&24E&27              | Test Distance:       | 3 m            |
| Test item:  | Harmonic                     | Power:               | AC 120 V/60 Hz |
| Frequency:  | 707.5 MHz                    | Temp.(°C)/Hum.(%RH): | 26(°C)/60 %RH  |
| Mode:       | 4 G_BAND 12_3 M_QPSK_CH23095 |                      |                |
| Ant.Polar.: | Vertical                     |                      |                |

| No. | Frequency<br>(MHz) | Reading<br>(dBm) | Correct Factor<br>(dB) | Result<br>(dBm) | Limit<br>(dBm) | Margin<br>(dB) | Remark |
|-----|--------------------|------------------|------------------------|-----------------|----------------|----------------|--------|
| 1   | 1415.000           | -72.38           | 6.58                   | -65.80          | -13.00         | -52.80         | peak   |



|             |                              |                      |                |
|-------------|------------------------------|----------------------|----------------|
| Standard:   | Part 22H&24E&27              | Test Distance:       | 3 m            |
| Test item:  | Harmonic                     | Power:               | AC 120 V/60 Hz |
| Frequency:  | 714.5 MHz                    | Temp.(°C)/Hum.(%RH): | 26(°C)/60 %RH  |
| Mode:       | 4 G_BAND 12_3 M_QPSK_CH23165 |                      |                |
| Ant.Polar.: | Horizontal                   |                      |                |

| No. | Frequency<br>(MHz) | Reading<br>(dBm) | Correct Factor<br>(dB) | Result<br>(dBm) | Limit<br>(dBm) | Margin<br>(dB) | Remark |
|-----|--------------------|------------------|------------------------|-----------------|----------------|----------------|--------|
| 1   | 1429.000           | -73.01           | 6.66                   | -66.35          | -13.00         | -53.35         | peak   |

|             |                              |                      |                |
|-------------|------------------------------|----------------------|----------------|
| Standard:   | Part 22H&24E&27              | Test Distance:       | 3 m            |
| Test item:  | Harmonic                     | Power:               | AC 120 V/60 Hz |
| Frequency:  | 714.5 MHz                    | Temp.(°C)/Hum.(%RH): | 26(°C)/60 %RH  |
| Mode:       | 4 G_BAND 12_3 M_QPSK_CH23165 |                      |                |
| Ant.Polar.: | Vertical                     |                      |                |

| No. | Frequency<br>(MHz) | Reading<br>(dBm) | Correct Factor<br>(dB) | Result<br>(dBm) | Limit<br>(dBm) | Margin<br>(dB) | Remark |
|-----|--------------------|------------------|------------------------|-----------------|----------------|----------------|--------|
| 1   | 1429.000           | -69.74           | 6.66                   | -63.08          | -13.00         | -50.08         | peak   |



|             |                               |                      |                |
|-------------|-------------------------------|----------------------|----------------|
| Standard:   | Part 22H&24E&27               | Test Distance:       | 3 m            |
| Test item:  | Harmonic                      | Power:               | AC 120 V/60 Hz |
| Frequency:  | 707.5 MHz                     | Temp.(°C)/Hum.(%RH): | 26(°C)/60 %RH  |
| Mode:       | 4 G_BAND 12_3 M-16QAM_CH23095 |                      |                |
| Ant.Polar.: | Horizontal                    |                      |                |

| No. | Frequency<br>(MHz) | Reading<br>(dBm) | Correct Factor<br>(dB) | Result<br>(dBm) | Limit<br>(dBm) | Margin<br>(dB) | Remark |
|-----|--------------------|------------------|------------------------|-----------------|----------------|----------------|--------|
| 1   | 1415.000           | -72.61           | 6.58                   | -66.03          | -13.00         | -53.03         | peak   |

|             |                               |                      |                |
|-------------|-------------------------------|----------------------|----------------|
| Standard:   | Part 22H&24E&27               | Test Distance:       | 3 m            |
| Test item:  | Harmonic                      | Power:               | AC 120 V/60 Hz |
| Frequency:  | 707.5 MHz                     | Temp.(°C)/Hum.(%RH): | 26(°C)/60 %RH  |
| Mode:       | 4 G_BAND 12_3 M-16QAM_CH23095 |                      |                |
| Ant.Polar.: | Vertical                      |                      |                |

| No. | Frequency<br>(MHz) | Reading<br>(dBm) | Correct Factor<br>(dB) | Result<br>(dBm) | Limit<br>(dBm) | Margin<br>(dB) | Remark |
|-----|--------------------|------------------|------------------------|-----------------|----------------|----------------|--------|
| 1   | 1415.000           | -72.46           | 6.58                   | -65.88          | -13.00         | -52.88         | peak   |



|             |                              |                      |                |
|-------------|------------------------------|----------------------|----------------|
| Standard:   | Part 22H&24E&27              | Test Distance:       | 3 m            |
| Test item:  | Harmonic                     | Power:               | AC 120 V/60 Hz |
| Frequency:  | 701.5 MHz                    | Temp.(°C)/Hum.(%RH): | 26(°C)/60 %RH  |
| Mode:       | 4 G_BAND 12_5 M_QPSK_CH23035 |                      |                |
| Ant.Polar.: | Horizontal                   |                      |                |

| No. | Frequency<br>(MHz) | Reading<br>(dBm) | Correct Factor<br>(dB) | Result<br>(dBm) | Limit<br>(dBm) | Margin<br>(dB) | Remark |
|-----|--------------------|------------------|------------------------|-----------------|----------------|----------------|--------|
| 1   | 1403.000           | -72.02           | 6.52                   | -65.50          | -13.00         | -52.50         | peak   |

|             |                              |                      |                |
|-------------|------------------------------|----------------------|----------------|
| Standard:   | Part 22H&24E&27              | Test Distance:       | 3 m            |
| Test item:  | Harmonic                     | Power:               | AC 120 V/60 Hz |
| Frequency:  | 701.5 MHz                    | Temp.(°C)/Hum.(%RH): | 26(°C)/60 %RH  |
| Mode:       | 4 G_BAND 12_5 M_QPSK_CH23035 |                      |                |
| Ant.Polar.: | Vertical                     |                      |                |

| No. | Frequency<br>(MHz) | Reading<br>(dBm) | Correct Factor<br>(dB) | Result<br>(dBm) | Limit<br>(dBm) | Margin<br>(dB) | Remark |
|-----|--------------------|------------------|------------------------|-----------------|----------------|----------------|--------|
| 1   | 1403.000           | -73.45           | 6.52                   | -66.93          | -13.00         | -53.93         | peak   |





|             |                              |                      |                |
|-------------|------------------------------|----------------------|----------------|
| Standard:   | Part 22H&24E&27              | Test Distance:       | 3 m            |
| Test item:  | Harmonic                     | Power:               | AC 120 V/60 Hz |
| Frequency:  | 707.5 MHz                    | Temp.(°C)/Hum.(%RH): | 26(°C)/60 %RH  |
| Mode:       | 4 G_BAND 12_5 M_QPSK_CH23095 |                      |                |
| Ant.Polar.: | Horizontal                   |                      |                |

| No. | Frequency<br>(MHz) | Reading<br>(dBm) | Correct Factor<br>(dB) | Result<br>(dBm) | Limit<br>(dBm) | Margin<br>(dB) | Remark |
|-----|--------------------|------------------|------------------------|-----------------|----------------|----------------|--------|
| 1   | 1415.000           | -70.75           | 6.58                   | -64.17          | -13.00         | -51.17         | peak   |

|             |                              |                      |                |
|-------------|------------------------------|----------------------|----------------|
| Standard:   | Part 22H&24E&27              | Test Distance:       | 3 m            |
| Test item:  | Harmonic                     | Power:               | AC 120 V/60 Hz |
| Frequency:  | 707.5 MHz                    | Temp.(°C)/Hum.(%RH): | 26(°C)/60 %RH  |
| Mode:       | 4 G_BAND 12_5 M_QPSK_CH23095 |                      |                |
| Ant.Polar.: | Vertical                     |                      |                |

| No. | Frequency<br>(MHz) | Reading<br>(dBm) | Correct Factor<br>(dB) | Result<br>(dBm) | Limit<br>(dBm) | Margin<br>(dB) | Remark |
|-----|--------------------|------------------|------------------------|-----------------|----------------|----------------|--------|
| 1   | 1415.000           | -72.53           | 6.58                   | -65.95          | -13.00         | -52.95         | peak   |



|             |                              |                      |                |
|-------------|------------------------------|----------------------|----------------|
| Standard:   | Part 22H&24E&27              | Test Distance:       | 3 m            |
| Test item:  | Harmonic                     | Power:               | AC 120 V/60 Hz |
| Frequency:  | 713.5 MHz                    | Temp.(°C)/Hum.(%RH): | 26(°C)/60 %RH  |
| Mode:       | 4 G_BAND 12_5 M_QPSK_CH23155 |                      |                |
| Ant.Polar.: | Horizontal                   |                      |                |

| No. | Frequency<br>(MHz) | Reading<br>(dBm) | Correct Factor<br>(dB) | Result<br>(dBm) | Limit<br>(dBm) | Margin<br>(dB) | Remark |
|-----|--------------------|------------------|------------------------|-----------------|----------------|----------------|--------|
| 1   | 1427.000           | -71.29           | 6.65                   | -64.64          | -13.00         | -51.64         | peak   |

|             |                              |                      |                |
|-------------|------------------------------|----------------------|----------------|
| Standard:   | Part 22H&24E&27              | Test Distance:       | 3 m            |
| Test item:  | Harmonic                     | Power:               | AC 120 V/60 Hz |
| Frequency:  | 713.5 MHz                    | Temp.(°C)/Hum.(%RH): | 26(°C)/60 %RH  |
| Mode:       | 4 G_BAND 12_5 M_QPSK_CH23155 |                      |                |
| Ant.Polar.: | Vertical                     |                      |                |

| No. | Frequency<br>(MHz) | Reading<br>(dBm) | Correct Factor<br>(dB) | Result<br>(dBm) | Limit<br>(dBm) | Margin<br>(dB) | Remark |
|-----|--------------------|------------------|------------------------|-----------------|----------------|----------------|--------|
| 1   | 1427.000           | -69.81           | 6.65                   | -63.16          | -13.00         | -50.16         | peak   |



|             |                               |                      |                |
|-------------|-------------------------------|----------------------|----------------|
| Standard:   | Part 22H&24E&27               | Test Distance:       | 3 m            |
| Test item:  | Harmonic                      | Power:               | AC 120 V/60 Hz |
| Frequency:  | 707.5 MHz                     | Temp.(°C)/Hum.(%RH): | 26(°C)/60 %RH  |
| Mode:       | 4 G_BAND 12_5 M-16QAM_CH23095 |                      |                |
| Ant.Polar.: | Horizontal                    |                      |                |

| No. | Frequency (MHz) | Reading (dBm) | Correct Factor (dB) | Result (dBm) | Limit (dBm) | Margin (dB) | Remark |
|-----|-----------------|---------------|---------------------|--------------|-------------|-------------|--------|
| 1   | 1415.000        | -69.72        | 6.58                | -63.14       | -13.00      | -50.14      | peak   |

|             |                               |                      |                |
|-------------|-------------------------------|----------------------|----------------|
| Standard:   | Part 22H&24E&27               | Test Distance:       | 3 m            |
| Test item:  | Harmonic                      | Power:               | AC 120 V/60 Hz |
| Frequency:  | 707.5 MHz                     | Temp.(°C)/Hum.(%RH): | 26(°C)/60 %RH  |
| Mode:       | 4 G_BAND 12_5 M-16QAM_CH23095 |                      |                |
| Ant.Polar.: | Vertical                      |                      |                |

| No. | Frequency (MHz) | Reading (dBm) | Correct Factor (dB) | Result (dBm) | Limit (dBm) | Margin (dB) | Remark |
|-----|-----------------|---------------|---------------------|--------------|-------------|-------------|--------|
| 1   | 1415.000        | -73.63        | 6.58                | -67.05       | -13.00      | -54.05      | peak   |



|             |                               |                      |                |
|-------------|-------------------------------|----------------------|----------------|
| Standard:   | Part 22H&24E&27               | Test Distance:       | 3 m            |
| Test item:  | Harmonic                      | Power:               | AC 120 V/60 Hz |
| Frequency:  | 704 MHz                       | Temp.(°C)/Hum.(%RH): | 26(°C)/60 %RH  |
| Mode:       | 4 G_BAND 12_10 M_QPSK_CH23060 |                      |                |
| Ant.Polar.: | Horizontal                    |                      |                |

| No. | Frequency<br>(MHz) | Reading<br>(dBm) | Correct Factor<br>(dB) | Result<br>(dBm) | Limit<br>(dBm) | Margin<br>(dB) | Remark |
|-----|--------------------|------------------|------------------------|-----------------|----------------|----------------|--------|
| 1   | 1408.000           | -71.28           | 6.55                   | -64.73          | -13.00         | -51.73         | peak   |

|             |                               |                      |                |
|-------------|-------------------------------|----------------------|----------------|
| Standard:   | Part 22H&24E&27               | Test Distance:       | 3 m            |
| Test item:  | Harmonic                      | Power:               | AC 120 V/60 Hz |
| Frequency:  | 704 MHz                       | Temp.(°C)/Hum.(%RH): | 26(°C)/60 %RH  |
| Mode:       | 4 G_BAND 12_10 M_QPSK_CH23060 |                      |                |
| Ant.Polar.: | Vertical                      |                      |                |

| No. | Frequency<br>(MHz) | Reading<br>(dBm) | Correct Factor<br>(dB) | Result<br>(dBm) | Limit<br>(dBm) | Margin<br>(dB) | Remark |
|-----|--------------------|------------------|------------------------|-----------------|----------------|----------------|--------|
| 1   | 1408.000           | -71.99           | 6.55                   | -65.44          | -13.00         | -52.44         | peak   |



|             |                               |                      |                |
|-------------|-------------------------------|----------------------|----------------|
| Standard:   | Part 22H&24E&27               | Test Distance:       | 3 m            |
| Test item:  | Harmonic                      | Power:               | AC 120 V/60 Hz |
| Frequency:  | 707.5 MHz                     | Temp.(°C)/Hum.(%RH): | 26(°C)/60 %RH  |
| Mode:       | 4 G_BAND 12_10 M_QPSK_CH23095 |                      |                |
| Ant.Polar.: | Horizontal                    |                      |                |

| No. | Frequency<br>(MHz) | Reading<br>(dBm) | Correct Factor<br>(dB) | Result<br>(dBm) | Limit<br>(dBm) | Margin<br>(dB) | Remark |
|-----|--------------------|------------------|------------------------|-----------------|----------------|----------------|--------|
| 1   | 1415.000           | -69.54           | 6.58                   | -62.96          | -13.00         | -49.96         | peak   |

|             |                               |                      |                |
|-------------|-------------------------------|----------------------|----------------|
| Standard:   | Part 22H&24E&27               | Test Distance:       | 3 m            |
| Test item:  | Harmonic                      | Power:               | AC 120 V/60 Hz |
| Frequency:  | 707.5 MHz                     | Temp.(°C)/Hum.(%RH): | 26(°C)/60 %RH  |
| Mode:       | 4 G_BAND 12_10 M_QPSK_CH23095 |                      |                |
| Ant.Polar.: | Vertical                      |                      |                |

| No. | Frequency<br>(MHz) | Reading<br>(dBm) | Correct Factor<br>(dB) | Result<br>(dBm) | Limit<br>(dBm) | Margin<br>(dB) | Remark |
|-----|--------------------|------------------|------------------------|-----------------|----------------|----------------|--------|
| 1   | 1415.000           | -68.76           | 6.58                   | -62.18          | -13.00         | -49.18         | peak   |



|             |                               |                      |                |
|-------------|-------------------------------|----------------------|----------------|
| Standard:   | Part 22H&24E&27               | Test Distance:       | 3 m            |
| Test item:  | Harmonic                      | Power:               | AC 120 V/60 Hz |
| Frequency:  | 711 MHz                       | Temp.(°C)/Hum.(%RH): | 26(°C)/60 %RH  |
| Mode:       | 4 G_BAND 12_10 M_QPSK_CH23130 |                      |                |
| Ant.Polar.: | Horizontal                    |                      |                |

| No. | Frequency<br>(MHz) | Reading<br>(dBm) | Correct Factor<br>(dB) | Result<br>(dBm) | Limit<br>(dBm) | Margin<br>(dB) | Remark |
|-----|--------------------|------------------|------------------------|-----------------|----------------|----------------|--------|
| 1   | 1422.000           | -71.17           | 6.62                   | -64.55          | -13.00         | -51.55         | peak   |

|             |                               |                      |                |
|-------------|-------------------------------|----------------------|----------------|
| Standard:   | Part 22H&24E&27               | Test Distance:       | 3 m            |
| Test item:  | Harmonic                      | Power:               | AC 120 V/60 Hz |
| Frequency:  | 711 MHz                       | Temp.(°C)/Hum.(%RH): | 26(°C)/60 %RH  |
| Mode:       | 4 G_BAND 12_10 M_QPSK_CH23130 |                      |                |
| Ant.Polar.: | Vertical                      |                      |                |

| No. | Frequency<br>(MHz) | Reading<br>(dBm) | Correct Factor<br>(dB) | Result<br>(dBm) | Limit<br>(dBm) | Margin<br>(dB) | Remark |
|-----|--------------------|------------------|------------------------|-----------------|----------------|----------------|--------|
| 1   | 1422.000           | -71.36           | 6.62                   | -64.74          | -13.00         | -51.74         | peak   |



|             |                                |                      |                |
|-------------|--------------------------------|----------------------|----------------|
| Standard:   | Part 22H&24E&27                | Test Distance:       | 3 m            |
| Test item:  | Harmonic                       | Power:               | AC 120 V/60 Hz |
| Frequency:  | 707.5 MHz                      | Temp.(°C)/Hum.(%RH): | 26(°C)/60 %RH  |
| Mode:       | 4 G_BAND 12_10 M-16QAM_CH23095 |                      |                |
| Ant.Polar.: | Horizontal                     |                      |                |

| No. | Frequency<br>(MHz) | Reading<br>(dBm) | Correct Factor<br>(dB) | Result<br>(dBm) | Limit<br>(dBm) | Margin<br>(dB) | Remark |
|-----|--------------------|------------------|------------------------|-----------------|----------------|----------------|--------|
| 1   | 1415.000           | -70.86           | 6.58                   | -64.28          | -13.00         | -51.28         | peak   |

|             |                                |                      |                |
|-------------|--------------------------------|----------------------|----------------|
| Standard:   | Part 22H&24E&27                | Test Distance:       | 3 m            |
| Test item:  | Harmonic                       | Power:               | AC 120 V/60 Hz |
| Frequency:  | 707.5 MHz                      | Temp.(°C)/Hum.(%RH): | 26(°C)/60 %RH  |
| Mode:       | 4 G_BAND 12_10 M-16QAM_CH23095 |                      |                |
| Ant.Polar.: | Vertical                       |                      |                |

| No. | Frequency<br>(MHz) | Reading<br>(dBm) | Correct Factor<br>(dB) | Result<br>(dBm) | Limit<br>(dBm) | Margin<br>(dB) | Remark |
|-----|--------------------|------------------|------------------------|-----------------|----------------|----------------|--------|
| 1   | 1415.000           | -71.42           | 6.58                   | -64.84          | -13.00         | -51.84         | peak   |



|             |                              |                      |                |
|-------------|------------------------------|----------------------|----------------|
| Standard:   | Part 22H&24E&27              | Test Distance:       | 3 m            |
| Test item:  | Harmonic                     | Power:               | AC 120 V/60 Hz |
| Frequency:  | 2307.5 MHz                   | Temp.(°C)/Hum.(%RH): | 26(°C)/60 %RH  |
| Mode:       | 4 G_BAND 30_5 M_QPSK_CH27685 |                      |                |
| Ant.Polar.: | Horizontal                   |                      |                |

| No. | Frequency<br>(MHz) | Reading<br>(dBm) | Correct Factor<br>(dB) | Result<br>(dBm) | Limit<br>(dBm) | Margin<br>(dB) | Remark |
|-----|--------------------|------------------|------------------------|-----------------|----------------|----------------|--------|
| 1   | 4615.000           | -74.70           | 16.77                  | -57.93          | -13.00         | -44.93         | peak   |

|             |                              |                      |                |
|-------------|------------------------------|----------------------|----------------|
| Standard:   | Part 22H&24E&27              | Test Distance:       | 3 m            |
| Test item:  | Harmonic                     | Power:               | AC 120 V/60 Hz |
| Frequency:  | 2307.5 MHz                   | Temp.(°C)/Hum.(%RH): | 26(°C)/60 %RH  |
| Mode:       | 4 G_BAND 30_5 M_QPSK_CH27685 |                      |                |
| Ant.Polar.: | Vertical                     |                      |                |

| No. | Frequency<br>(MHz) | Reading<br>(dBm) | Correct Factor<br>(dB) | Result<br>(dBm) | Limit<br>(dBm) | Margin<br>(dB) | Remark |
|-----|--------------------|------------------|------------------------|-----------------|----------------|----------------|--------|
| 1   | 4615.000           | -72.59           | 16.77                  | -55.82          | -13.00         | -42.82         | peak   |





|             |                              |                      |                |
|-------------|------------------------------|----------------------|----------------|
| Standard:   | Part 22H&24E&27              | Test Distance:       | 3 m            |
| Test item:  | Harmonic                     | Power:               | AC 120 V/60 Hz |
| Frequency:  | 2310 MHz                     | Temp.(°C)/Hum.(%RH): | 26(°C)/60 %RH  |
| Mode:       | 4 G_BAND 30_5 M_QPSK_CH27710 |                      |                |
| Ant.Polar.: | Horizontal                   |                      |                |

| No. | Frequency<br>(MHz) | Reading<br>(dBm) | Correct Factor<br>(dB) | Result<br>(dBm) | Limit<br>(dBm) | Margin<br>(dB) | Remark |
|-----|--------------------|------------------|------------------------|-----------------|----------------|----------------|--------|
| 1   | 4620.000           | -72.51           | 16.78                  | -55.73          | -13.00         | -42.73         | peak   |

|             |                              |                      |                |
|-------------|------------------------------|----------------------|----------------|
| Standard:   | Part 22H&24E&27              | Test Distance:       | 3 m            |
| Test item:  | Harmonic                     | Power:               | AC 120 V/60 Hz |
| Frequency:  | 2310 MHz                     | Temp.(°C)/Hum.(%RH): | 26(°C)/60 %RH  |
| Mode:       | 4 G_BAND 30_5 M_QPSK_CH27710 |                      |                |
| Ant.Polar.: | Vertical                     |                      |                |

| No. | Frequency<br>(MHz) | Reading<br>(dBm) | Correct Factor<br>(dB) | Result<br>(dBm) | Limit<br>(dBm) | Margin<br>(dB) | Remark |
|-----|--------------------|------------------|------------------------|-----------------|----------------|----------------|--------|
| 1   | 4620.000           | -73.16           | 16.78                  | -56.38          | -13.00         | -43.38         | peak   |



|             |                              |                      |                |
|-------------|------------------------------|----------------------|----------------|
| Standard:   | Part 22H&24E&27              | Test Distance:       | 3 m            |
| Test item:  | Harmonic                     | Power:               | AC 120 V/60 Hz |
| Frequency:  | 2312.5 MHz                   | Temp.(°C)/Hum.(%RH): | 26(°C)/60 %RH  |
| Mode:       | 4 G_BAND 30_5 M_QPSK_CH27735 |                      |                |
| Ant.Polar.: | Horizontal                   |                      |                |

| No. | Frequency<br>(MHz) | Reading<br>(dBm) | Correct Factor<br>(dB) | Result<br>(dBm) | Limit<br>(dBm) | Margin<br>(dB) | Remark |
|-----|--------------------|------------------|------------------------|-----------------|----------------|----------------|--------|
| 1   | 4625.000           | -74.86           | 16.80                  | -58.06          | -13.00         | -45.06         | peak   |

|             |                              |                      |                |
|-------------|------------------------------|----------------------|----------------|
| Standard:   | Part 22H&24E&27              | Test Distance:       | 3 m            |
| Test item:  | Harmonic                     | Power:               | AC 120 V/60 Hz |
| Frequency:  | 2312.5 MHz                   | Temp.(°C)/Hum.(%RH): | 26(°C)/60 %RH  |
| Mode:       | 4 G_BAND 30_5 M_QPSK_CH27735 |                      |                |
| Ant.Polar.: | Vertical                     |                      |                |

| No. | Frequency<br>(MHz) | Reading<br>(dBm) | Correct Factor<br>(dB) | Result<br>(dBm) | Limit<br>(dBm) | Margin<br>(dB) | Remark |
|-----|--------------------|------------------|------------------------|-----------------|----------------|----------------|--------|
| 1   | 4625.000           | -74.50           | 16.80                  | -57.70          | -13.00         | -44.70         | peak   |



|             |                               |                      |                |
|-------------|-------------------------------|----------------------|----------------|
| Standard:   | Part 22H&24E&27               | Test Distance:       | 3 m            |
| Test item:  | Harmonic                      | Power:               | AC 120 V/60 Hz |
| Frequency:  | 2307.5 MHz                    | Temp.(°C)/Hum.(%RH): | 26(°C)/60 %RH  |
| Mode:       | 4 G_BAND 30_5 M-16QAM_CH27685 |                      |                |
| Ant.Polar.: | Horizontal                    |                      |                |

| No. | Frequency<br>(MHz) | Reading<br>(dBm) | Correct Factor<br>(dB) | Result<br>(dBm) | Limit<br>(dBm) | Margin<br>(dB) | Remark |
|-----|--------------------|------------------|------------------------|-----------------|----------------|----------------|--------|
| 1   | 4615.000           | -74.62           | 16.77                  | -57.85          | -13.00         | -44.85         | peak   |

|             |                               |                      |                |
|-------------|-------------------------------|----------------------|----------------|
| Standard:   | Part 22H&24E&27               | Test Distance:       | 3 m            |
| Test item:  | Harmonic                      | Power:               | AC 120 V/60 Hz |
| Frequency:  | 2307.5 MHz                    | Temp.(°C)/Hum.(%RH): | 26(°C)/60 %RH  |
| Mode:       | 4 G_BAND 30_5 M-16QAM_CH27685 |                      |                |
| Ant.Polar.: | Vertical                      |                      |                |

| No. | Frequency<br>(MHz) | Reading<br>(dBm) | Correct Factor<br>(dB) | Result<br>(dBm) | Limit<br>(dBm) | Margin<br>(dB) | Remark |
|-----|--------------------|------------------|------------------------|-----------------|----------------|----------------|--------|
| 1   | 4615.000           | -74.92           | 16.77                  | -58.15          | -13.00         | -45.15         | peak   |



|             |                               |                      |                |
|-------------|-------------------------------|----------------------|----------------|
| Standard:   | Part 22H&24E&27               | Test Distance:       | 3 m            |
| Test item:  | Harmonic                      | Power:               | AC 120 V/60 Hz |
| Frequency:  | 2310 MHz                      | Temp.(°C)/Hum.(%RH): | 26(°C)/60 %RH  |
| Mode:       | 4 G_BAND 30_5 M-16QAM_CH27710 |                      |                |
| Ant.Polar.: | Horizontal                    |                      |                |

| No. | Frequency<br>(MHz) | Reading<br>(dBm) | Correct Factor<br>(dB) | Result<br>(dBm) | Limit<br>(dBm) | Margin<br>(dB) | Remark |
|-----|--------------------|------------------|------------------------|-----------------|----------------|----------------|--------|
| 1   | 4620.000           | -74.35           | 16.78                  | -57.57          | -13.00         | -44.57         | peak   |

|             |                               |                      |                |
|-------------|-------------------------------|----------------------|----------------|
| Standard:   | Part 22H&24E&27               | Test Distance:       | 3 m            |
| Test item:  | Harmonic                      | Power:               | AC 120 V/60 Hz |
| Frequency:  | 2310 MHz                      | Temp.(°C)/Hum.(%RH): | 26(°C)/60 %RH  |
| Mode:       | 4 G_BAND 30_5 M-16QAM_CH27710 |                      |                |
| Ant.Polar.: | Vertical                      |                      |                |

| No. | Frequency<br>(MHz) | Reading<br>(dBm) | Correct Factor<br>(dB) | Result<br>(dBm) | Limit<br>(dBm) | Margin<br>(dB) | Remark |
|-----|--------------------|------------------|------------------------|-----------------|----------------|----------------|--------|
| 1   | 4620.000           | -76.15           | 16.78                  | -59.37          | -13.00         | -46.37         | peak   |



|             |                               |                      |                |
|-------------|-------------------------------|----------------------|----------------|
| Standard:   | Part 22H&24E&27               | Test Distance:       | 3 m            |
| Test item:  | Harmonic                      | Power:               | AC 120 V/60 Hz |
| Frequency:  | 2312.5 MHz                    | Temp.(°C)/Hum.(%RH): | 26(°C)/60 %RH  |
| Mode:       | 4 G_BAND 30_5 M-16QAM_CH27735 |                      |                |
| Ant.Polar.: | Horizontal                    |                      |                |

| No. | Frequency<br>(MHz) | Reading<br>(dBm) | Correct Factor<br>(dB) | Result<br>(dBm) | Limit<br>(dBm) | Margin<br>(dB) | Remark |
|-----|--------------------|------------------|------------------------|-----------------|----------------|----------------|--------|
| 1   | 4625.000           | -73.84           | 16.80                  | -57.04          | -13.00         | -44.04         | peak   |

|             |                               |                      |                |
|-------------|-------------------------------|----------------------|----------------|
| Standard:   | Part 22H&24E&27               | Test Distance:       | 3 m            |
| Test item:  | Harmonic                      | Power:               | AC 120 V/60 Hz |
| Frequency:  | 2312.5 MHz                    | Temp.(°C)/Hum.(%RH): | 26(°C)/60 %RH  |
| Mode:       | 4 G_BAND 30_5 M-16QAM_CH27735 |                      |                |
| Ant.Polar.: | Vertical                      |                      |                |

| No. | Frequency<br>(MHz) | Reading<br>(dBm) | Correct Factor<br>(dB) | Result<br>(dBm) | Limit<br>(dBm) | Margin<br>(dB) | Remark |
|-----|--------------------|------------------|------------------------|-----------------|----------------|----------------|--------|
| 1   | 4625.000           | -73.35           | 16.80                  | -56.55          | -13.00         | -43.55         | peak   |



|             |                               |                      |                |
|-------------|-------------------------------|----------------------|----------------|
| Standard:   | Part 22H&24E&27               | Test Distance:       | 3 m            |
| Test item:  | Harmonic                      | Power:               | AC 120 V/60 Hz |
| Frequency:  | 2310 MHz                      | Temp.(°C)/Hum.(%RH): | 26(°C)/60 %RH  |
| Mode:       | 4 G_BAND 30_10 M_QPSK_CH27710 |                      |                |
| Ant.Polar.: | Horizontal                    |                      |                |

| No. | Frequency<br>(MHz) | Reading<br>(dBm) | Correct Factor<br>(dB) | Result<br>(dBm) | Limit<br>(dBm) | Margin<br>(dB) | Remark |
|-----|--------------------|------------------|------------------------|-----------------|----------------|----------------|--------|
| 1   | 4620.000           | -74.56           | 16.78                  | -57.78          | -13.00         | -44.78         | peak   |

|             |                               |                      |                |
|-------------|-------------------------------|----------------------|----------------|
| Standard:   | Part 22H&24E&27               | Test Distance:       | 3 m            |
| Test item:  | Harmonic                      | Power:               | AC 120 V/60 Hz |
| Frequency:  | 2310 MHz                      | Temp.(°C)/Hum.(%RH): | 26(°C)/60 %RH  |
| Mode:       | 4 G_BAND 30_10 M_QPSK_CH27710 |                      |                |
| Ant.Polar.: | Vertical                      |                      |                |

| No. | Frequency<br>(MHz) | Reading<br>(dBm) | Correct Factor<br>(dB) | Result<br>(dBm) | Limit<br>(dBm) | Margin<br>(dB) | Remark |
|-----|--------------------|------------------|------------------------|-----------------|----------------|----------------|--------|
| 1   | 4620.000           | -74.62           | 16.78                  | -57.84          | -13.00         | -44.84         | peak   |



|             |                                |                      |                |
|-------------|--------------------------------|----------------------|----------------|
| Standard:   | Part 22H&24E&27                | Test Distance:       | 3 m            |
| Test item:  | Harmonic                       | Power:               | AC 120 V/60 Hz |
| Frequency:  | 2310 MHz                       | Temp.(°C)/Hum.(%RH): | 26(°C)/60 %RH  |
| Mode:       | 4 G_BAND 30_10 M-16QAM_CH27710 |                      |                |
| Ant.Polar.: | Horizontal                     |                      |                |

| No. | Frequency<br>(MHz) | Reading<br>(dBm) | Correct Factor<br>(dB) | Result<br>(dBm) | Limit<br>(dBm) | Margin<br>(dB) | Remark |
|-----|--------------------|------------------|------------------------|-----------------|----------------|----------------|--------|
| 1   | 4620.000           | -74.86           | 16.78                  | -58.08          | -13.00         | -45.08         | peak   |

|             |                                |                      |                |
|-------------|--------------------------------|----------------------|----------------|
| Standard:   | Part 22H&24E&27                | Test Distance:       | 3 m            |
| Test item:  | Harmonic                       | Power:               | AC 120 V/60 Hz |
| Frequency:  | 2310 MHz                       | Temp.(°C)/Hum.(%RH): | 26(°C)/60 %RH  |
| Mode:       | 4 G_BAND 30_10 M-16QAM_CH27710 |                      |                |
| Ant.Polar.: | Vertical                       |                      |                |

| No. | Frequency<br>(MHz) | Reading<br>(dBm) | Correct Factor<br>(dB) | Result<br>(dBm) | Limit<br>(dBm) | Margin<br>(dB) | Remark |
|-----|--------------------|------------------|------------------------|-----------------|----------------|----------------|--------|
| 1   | 4620.000           | -74.77           | 16.78                  | -57.99          | -13.00         | -44.99         | peak   |



|             |                                 |                      |                |
|-------------|---------------------------------|----------------------|----------------|
| Standard:   | Part 22H&24E&27                 | Test Distance:       | 3 m            |
| Test item:  | Harmonic                        | Power:               | AC 120 V/60 Hz |
| Frequency:  | 1710.7 MHz                      | Temp.(°C)/Hum.(%RH): | 26(°C)/60 %RH  |
| Mode:       | 4 G_BAND 66_1.4 M_QPSK_CH131979 |                      |                |
| Ant.Polar.: | Horizontal                      |                      |                |

| No. | Frequency<br>(MHz) | Reading<br>(dBm) | Correct Factor<br>(dB) | Result<br>(dBm) | Limit<br>(dBm) | Margin<br>(dB) | Remark |
|-----|--------------------|------------------|------------------------|-----------------|----------------|----------------|--------|
| 1   | 3421.400           | -75.79           | 13.24                  | -62.55          | -13.00         | -49.55         | peak   |

|             |                                 |                      |                |
|-------------|---------------------------------|----------------------|----------------|
| Standard:   | Part 22H&24E&27                 | Test Distance:       | 3 m            |
| Test item:  | Harmonic                        | Power:               | AC 120 V/60 Hz |
| Frequency:  | 1710.7 MHz                      | Temp.(°C)/Hum.(%RH): | 26(°C)/60 %RH  |
| Mode:       | 4 G_BAND 66_1.4 M_QPSK_CH131979 |                      |                |
| Ant.Polar.: | Vertical                        |                      |                |

| No. | Frequency<br>(MHz) | Reading<br>(dBm) | Correct Factor<br>(dB) | Result<br>(dBm) | Limit<br>(dBm) | Margin<br>(dB) | Remark |
|-----|--------------------|------------------|------------------------|-----------------|----------------|----------------|--------|
| 1   | 3421.400           | -73.10           | 13.24                  | -59.86          | -13.00         | -46.86         | peak   |





|             |                                 |                      |                |
|-------------|---------------------------------|----------------------|----------------|
| Standard:   | Part 22H&24E&27                 | Test Distance:       | 3 m            |
| Test item:  | Harmonic                        | Power:               | AC 120 V/60 Hz |
| Frequency:  | 1732.5 MHz                      | Temp.(°C)/Hum.(%RH): | 26(°C)/60 %RH  |
| Mode:       | 4 G_BAND 66_1.4 M_QPSK_CH132197 |                      |                |
| Ant.Polar.: | Horizontal                      |                      |                |

| No. | Frequency<br>(MHz) | Reading<br>(dBm) | Correct Factor<br>(dB) | Result<br>(dBm) | Limit<br>(dBm) | Margin<br>(dB) | Remark |
|-----|--------------------|------------------|------------------------|-----------------|----------------|----------------|--------|
| 1   | 3465.000           | -77.36           | 13.34                  | -64.02          | -13.00         | -51.02         | peak   |

|             |                                 |                      |                |
|-------------|---------------------------------|----------------------|----------------|
| Standard:   | Part 22H&24E&27                 | Test Distance:       | 3 m            |
| Test item:  | Harmonic                        | Power:               | AC 120 V/60 Hz |
| Frequency:  | 1732.5 MHz                      | Temp.(°C)/Hum.(%RH): | 26(°C)/60 %RH  |
| Mode:       | 4 G_BAND 66_1.4 M_QPSK_CH132197 |                      |                |
| Ant.Polar.: | Vertical                        |                      |                |

| No. | Frequency<br>(MHz) | Reading<br>(dBm) | Correct Factor<br>(dB) | Result<br>(dBm) | Limit<br>(dBm) | Margin<br>(dB) | Remark |
|-----|--------------------|------------------|------------------------|-----------------|----------------|----------------|--------|
| 1   | 3465.000           | -74.54           | 13.34                  | -61.20          | -13.00         | -48.20         | peak   |



|             |                                 |                      |                |
|-------------|---------------------------------|----------------------|----------------|
| Standard:   | Part 22H&24E&27                 | Test Distance:       | 3 m            |
| Test item:  | Harmonic                        | Power:               | AC 120 V/60 Hz |
| Frequency:  | 1754.3 MHz                      | Temp.(°C)/Hum.(%RH): | 26(°C)/60 %RH  |
| Mode:       | 4 G_BAND 66_1.4 M_QPSK_CH132415 |                      |                |
| Ant.Polar.: | Horizontal                      |                      |                |

| No. | Frequency<br>(MHz) | Reading<br>(dBm) | Correct Factor<br>(dB) | Result<br>(dBm) | Limit<br>(dBm) | Margin<br>(dB) | Remark |
|-----|--------------------|------------------|------------------------|-----------------|----------------|----------------|--------|
| 1   | 3508.600           | -75.86           | 13.44                  | -62.42          | -13.00         | -49.42         | peak   |

|             |                                 |                      |                |
|-------------|---------------------------------|----------------------|----------------|
| Standard:   | Part 22H&24E&27                 | Test Distance:       | 3 m            |
| Test item:  | Harmonic                        | Power:               | AC 120 V/60 Hz |
| Frequency:  | 1754.3 MHz                      | Temp.(°C)/Hum.(%RH): | 26(°C)/60 %RH  |
| Mode:       | 4 G_BAND 66_1.4 M_QPSK_CH132415 |                      |                |
| Ant.Polar.: | Vertical                        |                      |                |

| No. | Frequency<br>(MHz) | Reading<br>(dBm) | Correct Factor<br>(dB) | Result<br>(dBm) | Limit<br>(dBm) | Margin<br>(dB) | Remark |
|-----|--------------------|------------------|------------------------|-----------------|----------------|----------------|--------|
| 1   | 3508.600           | -74.82           | 13.44                  | -61.38          | -13.00         | -48.38         | peak   |



|             |                                  |                      |                |
|-------------|----------------------------------|----------------------|----------------|
| Standard:   | Part 22H&24E&27                  | Test Distance:       | 3 m            |
| Test item:  | Harmonic                         | Power:               | AC 120 V/60 Hz |
| Frequency:  | 1732.5 MHz                       | Temp.(°C)/Hum.(%RH): | 26(°C)/60 %RH  |
| Mode:       | 4 G_BAND 66_1.4 M-16QAM_CH132197 |                      |                |
| Ant.Polar.: | Horizontal                       |                      |                |

| No. | Frequency<br>(MHz) | Reading<br>(dBm) | Correct Factor<br>(dB) | Result<br>(dBm) | Limit<br>(dBm) | Margin<br>(dB) | Remark |
|-----|--------------------|------------------|------------------------|-----------------|----------------|----------------|--------|
| 1   | 3465.000           | -72.72           | 13.34                  | -59.38          | -13.00         | -46.38         | peak   |

|             |                                  |                      |                |
|-------------|----------------------------------|----------------------|----------------|
| Standard:   | Part 22H&24E&27                  | Test Distance:       | 3 m            |
| Test item:  | Harmonic                         | Power:               | AC 120 V/60 Hz |
| Frequency:  | 1732.5 MHz                       | Temp.(°C)/Hum.(%RH): | 26(°C)/60 %RH  |
| Mode:       | 4 G_BAND 66_1.4 M-16QAM_CH132197 |                      |                |
| Ant.Polar.: | Vertical                         |                      |                |

| No. | Frequency<br>(MHz) | Reading<br>(dBm) | Correct Factor<br>(dB) | Result<br>(dBm) | Limit<br>(dBm) | Margin<br>(dB) | Remark |
|-----|--------------------|------------------|------------------------|-----------------|----------------|----------------|--------|
| 1   | 3465.000           | -73.50           | 13.34                  | -60.16          | -13.00         | -47.16         | peak   |



|             |                               |                      |                |
|-------------|-------------------------------|----------------------|----------------|
| Standard:   | Part 22H&24E&27               | Test Distance:       | 3 m            |
| Test item:  | Harmonic                      | Power:               | AC 120 V/60 Hz |
| Frequency:  | 1711.5 MHz                    | Temp.(°C)/Hum.(%RH): | 26(°C)/60 %RH  |
| Mode:       | 4 G_BAND 66_3 M_QPSK_CH131987 |                      |                |
| Ant.Polar.: | Horizontal                    |                      |                |

| No. | Frequency<br>(MHz) | Reading<br>(dBm) | Correct Factor<br>(dB) | Result<br>(dBm) | Limit<br>(dBm) | Margin<br>(dB) | Remark |
|-----|--------------------|------------------|------------------------|-----------------|----------------|----------------|--------|
| 1   | 3423.000           | -74.44           | 13.23                  | -61.21          | -13.00         | -48.21         | peak   |

|             |                               |                      |                |
|-------------|-------------------------------|----------------------|----------------|
| Standard:   | Part 22H&24E&27               | Test Distance:       | 3 m            |
| Test item:  | Harmonic                      | Power:               | AC 120 V/60 Hz |
| Frequency:  | 1711.5 MHz                    | Temp.(°C)/Hum.(%RH): | 26(°C)/60 %RH  |
| Mode:       | 4 G_BAND 66_3 M_QPSK_CH131987 |                      |                |
| Ant.Polar.: | Vertical                      |                      |                |

| No. | Frequency<br>(MHz) | Reading<br>(dBm) | Correct Factor<br>(dB) | Result<br>(dBm) | Limit<br>(dBm) | Margin<br>(dB) | Remark |
|-----|--------------------|------------------|------------------------|-----------------|----------------|----------------|--------|
| 1   | 3423.000           | -75.32           | 13.23                  | -62.09          | -13.00         | -49.09         | peak   |



|             |                               |                      |                |
|-------------|-------------------------------|----------------------|----------------|
| Standard:   | Part 22H&24E&27               | Test Distance:       | 3 m            |
| Test item:  | Harmonic                      | Power:               | AC 120 V/60 Hz |
| Frequency:  | 1732.5 MHz                    | Temp.(°C)/Hum.(%RH): | 26(°C)/60 %RH  |
| Mode:       | 4 G_BAND 66_3 M_QPSK_CH132197 |                      |                |
| Ant.Polar.: | Horizontal                    |                      |                |

| No. | Frequency<br>(MHz) | Reading<br>(dBm) | Correct Factor<br>(dB) | Result<br>(dBm) | Limit<br>(dBm) | Margin<br>(dB) | Remark |
|-----|--------------------|------------------|------------------------|-----------------|----------------|----------------|--------|
| 1   | 3465.000           | -76.16           | 13.34                  | -62.82          | -13.00         | -49.82         | peak   |

|             |                               |                      |                |
|-------------|-------------------------------|----------------------|----------------|
| Standard:   | Part 22H&24E&27               | Test Distance:       | 3 m            |
| Test item:  | Harmonic                      | Power:               | AC 120 V/60 Hz |
| Frequency:  | 1732.5 MHz                    | Temp.(°C)/Hum.(%RH): | 26(°C)/60 %RH  |
| Mode:       | 4 G_BAND 66_3 M_QPSK_CH132197 |                      |                |
| Ant.Polar.: | Vertical                      |                      |                |

| No. | Frequency<br>(MHz) | Reading<br>(dBm) | Correct Factor<br>(dB) | Result<br>(dBm) | Limit<br>(dBm) | Margin<br>(dB) | Remark |
|-----|--------------------|------------------|------------------------|-----------------|----------------|----------------|--------|
| 1   | 3465.000           | -73.64           | 13.34                  | -60.30          | -13.00         | -47.30         | peak   |



|             |                               |                      |                |
|-------------|-------------------------------|----------------------|----------------|
| Standard:   | Part 22H&24E&27               | Test Distance:       | 3 m            |
| Test item:  | Harmonic                      | Power:               | AC 120 V/60 Hz |
| Frequency:  | 1753.5 MHz                    | Temp.(°C)/Hum.(%RH): | 26(°C)/60 %RH  |
| Mode:       | 4 G_BAND 66_3 M_QPSK_CH132407 |                      |                |
| Ant.Polar.: | Horizontal                    |                      |                |

| No. | Frequency<br>(MHz) | Reading<br>(dBm) | Correct Factor<br>(dB) | Result<br>(dBm) | Limit<br>(dBm) | Margin<br>(dB) | Remark |
|-----|--------------------|------------------|------------------------|-----------------|----------------|----------------|--------|
| 1   | 3507.000           | -72.33           | 13.44                  | -58.89          | -13.00         | -45.89         | peak   |

|             |                               |                      |                |
|-------------|-------------------------------|----------------------|----------------|
| Standard:   | Part 22H&24E&27               | Test Distance:       | 3 m            |
| Test item:  | Harmonic                      | Power:               | AC 120 V/60 Hz |
| Frequency:  | 1753.5 MHz                    | Temp.(°C)/Hum.(%RH): | 26(°C)/60 %RH  |
| Mode:       | 4 G_BAND 66_3 M_QPSK_CH132407 |                      |                |
| Ant.Polar.: | Vertical                      |                      |                |

| No. | Frequency<br>(MHz) | Reading<br>(dBm) | Correct Factor<br>(dB) | Result<br>(dBm) | Limit<br>(dBm) | Margin<br>(dB) | Remark |
|-----|--------------------|------------------|------------------------|-----------------|----------------|----------------|--------|
| 1   | 3507.000           | -75.21           | 13.44                  | -61.77          | -13.00         | -48.77         | peak   |



|             |                                |                      |                |
|-------------|--------------------------------|----------------------|----------------|
| Standard:   | Part 22H&24E&27                | Test Distance:       | 3 m            |
| Test item:  | Harmonic                       | Power:               | AC 120 V/60 Hz |
| Frequency:  | 1732.5 MHz                     | Temp.(°C)/Hum.(%RH): | 26(°C)/60 %RH  |
| Mode:       | 4 G_BAND 66_3 M-16QAM_CH132197 |                      |                |
| Ant.Polar.: | Horizontal                     |                      |                |

| No. | Frequency<br>(MHz) | Reading<br>(dBm) | Correct Factor<br>(dB) | Result<br>(dBm) | Limit<br>(dBm) | Margin<br>(dB) | Remark |
|-----|--------------------|------------------|------------------------|-----------------|----------------|----------------|--------|
| 1   | 3465.000           | -74.29           | 13.34                  | -60.95          | -13.00         | -47.95         | peak   |

|             |                                |                      |                |
|-------------|--------------------------------|----------------------|----------------|
| Standard:   | Part 22H&24E&27                | Test Distance:       | 3 m            |
| Test item:  | Harmonic                       | Power:               | AC 120 V/60 Hz |
| Frequency:  | 1732.5 MHz                     | Temp.(°C)/Hum.(%RH): | 26(°C)/60 %RH  |
| Mode:       | 4 G_BAND 66_3 M-16QAM_CH132197 |                      |                |
| Ant.Polar.: | Vertical                       |                      |                |

| No. | Frequency<br>(MHz) | Reading<br>(dBm) | Correct Factor<br>(dB) | Result<br>(dBm) | Limit<br>(dBm) | Margin<br>(dB) | Remark |
|-----|--------------------|------------------|------------------------|-----------------|----------------|----------------|--------|
| 1   | 3465.000           | -74.44           | 13.34                  | -61.10          | -13.00         | -48.10         | peak   |



|             |                               |                      |                |
|-------------|-------------------------------|----------------------|----------------|
| Standard:   | Part 22H&24E&27               | Test Distance:       | 3 m            |
| Test item:  | Harmonic                      | Power:               | AC 120 V/60 Hz |
| Frequency:  | 1712.5 MHz                    | Temp.(°C)/Hum.(%RH): | 26(°C)/60 %RH  |
| Mode:       | 4 G_BAND 66_5 M_QPSK_CH131997 |                      |                |
| Ant.Polar.: | Horizontal                    |                      |                |

| No. | Frequency<br>(MHz) | Reading<br>(dBm) | Correct Factor<br>(dB) | Result<br>(dBm) | Limit<br>(dBm) | Margin<br>(dB) | Remark |
|-----|--------------------|------------------|------------------------|-----------------|----------------|----------------|--------|
| 1   | 3425.000           | -75.30           | 13.24                  | -62.06          | -13.00         | -49.06         | peak   |

|             |                               |                      |                |
|-------------|-------------------------------|----------------------|----------------|
| Standard:   | Part 22H&24E&27               | Test Distance:       | 3 m            |
| Test item:  | Harmonic                      | Power:               | AC 120 V/60 Hz |
| Frequency:  | 1712.5 MHz                    | Temp.(°C)/Hum.(%RH): | 26(°C)/60 %RH  |
| Mode:       | 4 G_BAND 66_5 M_QPSK_CH131997 |                      |                |
| Ant.Polar.: | Vertical                      |                      |                |

| No. | Frequency<br>(MHz) | Reading<br>(dBm) | Correct Factor<br>(dB) | Result<br>(dBm) | Limit<br>(dBm) | Margin<br>(dB) | Remark |
|-----|--------------------|------------------|------------------------|-----------------|----------------|----------------|--------|
| 1   | 3425.000           | -74.48           | 13.24                  | -61.24          | -13.00         | -48.24         | peak   |





|             |                               |                      |                |
|-------------|-------------------------------|----------------------|----------------|
| Standard:   | Part 22H&24E&27               | Test Distance:       | 3 m            |
| Test item:  | Harmonic                      | Power:               | AC 120 V/60 Hz |
| Frequency:  | 1732.5 MHz                    | Temp.(°C)/Hum.(%RH): | 26(°C)/60 %RH  |
| Mode:       | 4 G_BAND 66_5 M_QPSK_CH132197 |                      |                |
| Ant.Polar.: | Horizontal                    |                      |                |

| No. | Frequency<br>(MHz) | Reading<br>(dBm) | Correct Factor<br>(dB) | Result<br>(dBm) | Limit<br>(dBm) | Margin<br>(dB) | Remark |
|-----|--------------------|------------------|------------------------|-----------------|----------------|----------------|--------|
| 1   | 3465.000           | -76.17           | 13.34                  | -62.83          | -13.00         | -49.83         | peak   |

|             |                               |                      |                |
|-------------|-------------------------------|----------------------|----------------|
| Standard:   | Part 22H&24E&27               | Test Distance:       | 3 m            |
| Test item:  | Harmonic                      | Power:               | AC 120 V/60 Hz |
| Frequency:  | 1732.5 MHz                    | Temp.(°C)/Hum.(%RH): | 26(°C)/60 %RH  |
| Mode:       | 4 G_BAND 66_5 M_QPSK_CH132197 |                      |                |
| Ant.Polar.: | Vertical                      |                      |                |

| No. | Frequency<br>(MHz) | Reading<br>(dBm) | Correct Factor<br>(dB) | Result<br>(dBm) | Limit<br>(dBm) | Margin<br>(dB) | Remark |
|-----|--------------------|------------------|------------------------|-----------------|----------------|----------------|--------|
| 1   | 3465.000           | -75.81           | 13.34                  | -62.47          | -13.00         | -49.47         | peak   |



|             |                               |                      |                |
|-------------|-------------------------------|----------------------|----------------|
| Standard:   | Part 22H&24E&27               | Test Distance:       | 3 m            |
| Test item:  | Harmonic                      | Power:               | AC 120 V/60 Hz |
| Frequency:  | 1752.5 MHz                    | Temp.(°C)/Hum.(%RH): | 26(°C)/60 %RH  |
| Mode:       | 4 G_BAND 66_5 M_QPSK_CH132397 |                      |                |
| Ant.Polar.: | Horizontal                    |                      |                |

| No. | Frequency<br>(MHz) | Reading<br>(dBm) | Correct Factor<br>(dB) | Result<br>(dBm) | Limit<br>(dBm) | Margin<br>(dB) | Remark |
|-----|--------------------|------------------|------------------------|-----------------|----------------|----------------|--------|
| 1   | 3505.000           | -73.86           | 13.43                  | -60.43          | -13.00         | -47.43         | peak   |

|             |                               |                      |                |
|-------------|-------------------------------|----------------------|----------------|
| Standard:   | Part 22H&24E&27               | Test Distance:       | 3 m            |
| Test item:  | Harmonic                      | Power:               | AC 120 V/60 Hz |
| Frequency:  | 1752.5 MHz                    | Temp.(°C)/Hum.(%RH): | 26(°C)/60 %RH  |
| Mode:       | 4 G_BAND 66_5 M_QPSK_CH132397 |                      |                |
| Ant.Polar.: | Vertical                      |                      |                |

| No. | Frequency<br>(MHz) | Reading<br>(dBm) | Correct Factor<br>(dB) | Result<br>(dBm) | Limit<br>(dBm) | Margin<br>(dB) | Remark |
|-----|--------------------|------------------|------------------------|-----------------|----------------|----------------|--------|
| 1   | 3505.000           | -74.98           | 13.43                  | -61.55          | -13.00         | -48.55         | peak   |



|             |                                |                      |                |
|-------------|--------------------------------|----------------------|----------------|
| Standard:   | Part 22H&24E&27                | Test Distance:       | 3 m            |
| Test item:  | Harmonic                       | Power:               | AC 120 V/60 Hz |
| Frequency:  | 1732.5 MHz                     | Temp.(°C)/Hum.(%RH): | 26(°C)/60 %RH  |
| Mode:       | 4 G_BAND 66_5 M-16QAM_CH132197 |                      |                |
| Ant.Polar.: | Horizontal                     |                      |                |

| No. | Frequency<br>(MHz) | Reading<br>(dBm) | Correct Factor<br>(dB) | Result<br>(dBm) | Limit<br>(dBm) | Margin<br>(dB) | Remark |
|-----|--------------------|------------------|------------------------|-----------------|----------------|----------------|--------|
| 1   | 3465.000           | -73.68           | 13.34                  | -60.34          | -13.00         | -47.34         | peak   |

|             |                                |                      |                |
|-------------|--------------------------------|----------------------|----------------|
| Standard:   | Part 22H&24E&27                | Test Distance:       | 3 m            |
| Test item:  | Harmonic                       | Power:               | AC 120 V/60 Hz |
| Frequency:  | 1732.5 MHz                     | Temp.(°C)/Hum.(%RH): | 26(°C)/60 %RH  |
| Mode:       | 4 G_BAND 66_5 M-16QAM_CH132197 |                      |                |
| Ant.Polar.: | Vertical                       |                      |                |

| No. | Frequency<br>(MHz) | Reading<br>(dBm) | Correct Factor<br>(dB) | Result<br>(dBm) | Limit<br>(dBm) | Margin<br>(dB) | Remark |
|-----|--------------------|------------------|------------------------|-----------------|----------------|----------------|--------|
| 1   | 3465.000           | -72.86           | 13.34                  | -59.52          | -13.00         | -46.52         | peak   |



|             |                                |                      |                |
|-------------|--------------------------------|----------------------|----------------|
| Standard:   | Part 22H&24E&27                | Test Distance:       | 3 m            |
| Test item:  | Harmonic                       | Power:               | AC 120 V/60 Hz |
| Frequency:  | 1715 MHz                       | Temp.(°C)/Hum.(%RH): | 26(°C)/60 %RH  |
| Mode:       | 4 G_BAND 66_10 M_QPSK_CH132022 |                      |                |
| Ant.Polar.: | Horizontal                     |                      |                |

| No. | Frequency<br>(MHz) | Reading<br>(dBm) | Correct Factor<br>(dB) | Result<br>(dBm) | Limit<br>(dBm) | Margin<br>(dB) | Remark |
|-----|--------------------|------------------|------------------------|-----------------|----------------|----------------|--------|
| 1   | 3430.000           | -74.09           | 13.24                  | -60.85          | -13.00         | -47.85         | peak   |

|             |                                |                      |                |
|-------------|--------------------------------|----------------------|----------------|
| Standard:   | Part 22H&24E&27                | Test Distance:       | 3 m            |
| Test item:  | Harmonic                       | Power:               | AC 120 V/60 Hz |
| Frequency:  | 1715 MHz                       | Temp.(°C)/Hum.(%RH): | 26(°C)/60 %RH  |
| Mode:       | 4 G_BAND 66_10 M_QPSK_CH132022 |                      |                |
| Ant.Polar.: | Vertical                       |                      |                |

| No. | Frequency<br>(MHz) | Reading<br>(dBm) | Correct Factor<br>(dB) | Result<br>(dBm) | Limit<br>(dBm) | Margin<br>(dB) | Remark |
|-----|--------------------|------------------|------------------------|-----------------|----------------|----------------|--------|
| 1   | 3430.000           | -77.09           | 13.24                  | -63.85          | -13.00         | -50.85         | peak   |



|             |                                |                      |                |
|-------------|--------------------------------|----------------------|----------------|
| Standard:   | Part 22H&24E&27                | Test Distance:       | 3 m            |
| Test item:  | Harmonic                       | Power:               | AC 120 V/60 Hz |
| Frequency:  | 1732.5 MHz                     | Temp.(°C)/Hum.(%RH): | 26(°C)/60 %RH  |
| Mode:       | 4 G_BAND 66_10 M_QPSK_CH132197 |                      |                |
| Ant.Polar.: | Horizontal                     |                      |                |

| No. | Frequency<br>(MHz) | Reading<br>(dBm) | Correct Factor<br>(dB) | Result<br>(dBm) | Limit<br>(dBm) | Margin<br>(dB) | Remark |
|-----|--------------------|------------------|------------------------|-----------------|----------------|----------------|--------|
| 1   | 3465.000           | -74.34           | 13.34                  | -61.00          | -13.00         | -48.00         | peak   |

|             |                                |                      |                |
|-------------|--------------------------------|----------------------|----------------|
| Standard:   | Part 22H&24E&27                | Test Distance:       | 3 m            |
| Test item:  | Harmonic                       | Power:               | AC 120 V/60 Hz |
| Frequency:  | 1732.5 MHz                     | Temp.(°C)/Hum.(%RH): | 26(°C)/60 %RH  |
| Mode:       | 4 G_BAND 66_10 M_QPSK_CH132197 |                      |                |
| Ant.Polar.: | Vertical                       |                      |                |

| No. | Frequency<br>(MHz) | Reading<br>(dBm) | Correct Factor<br>(dB) | Result<br>(dBm) | Limit<br>(dBm) | Margin<br>(dB) | Remark |
|-----|--------------------|------------------|------------------------|-----------------|----------------|----------------|--------|
| 1   | 3465.000           | -74.93           | 13.34                  | -61.59          | -13.00         | -48.59         | peak   |



|             |                                |                      |                |
|-------------|--------------------------------|----------------------|----------------|
| Standard:   | Part 22H&24E&27                | Test Distance:       | 3 m            |
| Test item:  | Harmonic                       | Power:               | AC 120 V/60 Hz |
| Frequency:  | 1750 MHz                       | Temp.(°C)/Hum.(%RH): | 26(°C)/60 %RH  |
| Mode:       | 4 G_BAND 66_10 M_QPSK_CH132372 |                      |                |
| Ant.Polar.: | Horizontal                     |                      |                |

| No. | Frequency<br>(MHz) | Reading<br>(dBm) | Correct Factor<br>(dB) | Result<br>(dBm) | Limit<br>(dBm) | Margin<br>(dB) | Remark |
|-----|--------------------|------------------|------------------------|-----------------|----------------|----------------|--------|
| 1   | 3500.000           | -72.48           | 13.41                  | -59.07          | -13.00         | -46.07         | peak   |

|             |                                |                      |                |
|-------------|--------------------------------|----------------------|----------------|
| Standard:   | Part 22H&24E&27                | Test Distance:       | 3 m            |
| Test item:  | Harmonic                       | Power:               | AC 120 V/60 Hz |
| Frequency:  | 1750 MHz                       | Temp.(°C)/Hum.(%RH): | 26(°C)/60 %RH  |
| Mode:       | 4 G_BAND 66_10 M_QPSK_CH132372 |                      |                |
| Ant.Polar.: | Vertical                       |                      |                |

| No. | Frequency<br>(MHz) | Reading<br>(dBm) | Correct Factor<br>(dB) | Result<br>(dBm) | Limit<br>(dBm) | Margin<br>(dB) | Remark |
|-----|--------------------|------------------|------------------------|-----------------|----------------|----------------|--------|
| 1   | 3500.000           | -74.23           | 13.41                  | -60.82          | -13.00         | -47.82         | peak   |



|             |                                 |                      |                |
|-------------|---------------------------------|----------------------|----------------|
| Standard:   | Part 22H&24E&27                 | Test Distance:       | 3 m            |
| Test item:  | Harmonic                        | Power:               | AC 120 V/60 Hz |
| Frequency:  | 1732.5 MHz                      | Temp.(°C)/Hum.(%RH): | 26(°C)/60 %RH  |
| Mode:       | 4 G_BAND 66_10 M-16QAM_CH132197 |                      |                |
| Ant.Polar.: | Horizontal                      |                      |                |

| No. | Frequency<br>(MHz) | Reading<br>(dBm) | Correct Factor<br>(dB) | Result<br>(dBm) | Limit<br>(dBm) | Margin<br>(dB) | Remark |
|-----|--------------------|------------------|------------------------|-----------------|----------------|----------------|--------|
| 1   | 3465.000           | -75.14           | 13.34                  | -61.80          | -13.00         | -48.80         | peak   |

|             |                                 |                      |                |
|-------------|---------------------------------|----------------------|----------------|
| Standard:   | Part 22H&24E&27                 | Test Distance:       | 3 m            |
| Test item:  | Harmonic                        | Power:               | AC 120 V/60 Hz |
| Frequency:  | 1732.5 MHz                      | Temp.(°C)/Hum.(%RH): | 26(°C)/60 %RH  |
| Mode:       | 4 G_BAND 66_10 M-16QAM_CH132197 |                      |                |
| Ant.Polar.: | Vertical                        |                      |                |

| No. | Frequency<br>(MHz) | Reading<br>(dBm) | Correct Factor<br>(dB) | Result<br>(dBm) | Limit<br>(dBm) | Margin<br>(dB) | Remark |
|-----|--------------------|------------------|------------------------|-----------------|----------------|----------------|--------|
| 1   | 3465.000           | -75.41           | 13.34                  | -62.07          | -13.00         | -49.07         | peak   |



|             |                                |                      |                |
|-------------|--------------------------------|----------------------|----------------|
| Standard:   | Part 22H&24E&27                | Test Distance:       | 3 m            |
| Test item:  | Harmonic                       | Power:               | AC 120 V/60 Hz |
| Frequency:  | 1717.5 MHz                     | Temp.(°C)/Hum.(%RH): | 26(°C)/60 %RH  |
| Mode:       | 4 G_BAND 66_15 M_QPSK_CH132047 |                      |                |
| Ant.Polar.: | Horizontal                     |                      |                |

| No. | Frequency<br>(MHz) | Reading<br>(dBm) | Correct Factor<br>(dB) | Result<br>(dBm) | Limit<br>(dBm) | Margin<br>(dB) | Remark |
|-----|--------------------|------------------|------------------------|-----------------|----------------|----------------|--------|
| 1   | 3435.000           | -75.32           | 13.26                  | -62.06          | -13.00         | -49.06         | peak   |

|             |                                |                      |                |
|-------------|--------------------------------|----------------------|----------------|
| Standard:   | Part 22H&24E&27                | Test Distance:       | 3 m            |
| Test item:  | Harmonic                       | Power:               | AC 120 V/60 Hz |
| Frequency:  | 1717.5 MHz                     | Temp.(°C)/Hum.(%RH): | 26(°C)/60 %RH  |
| Mode:       | 4 G_BAND 66_15 M_QPSK_CH132047 |                      |                |
| Ant.Polar.: | Vertical                       |                      |                |

| No. | Frequency<br>(MHz) | Reading<br>(dBm) | Correct Factor<br>(dB) | Result<br>(dBm) | Limit<br>(dBm) | Margin<br>(dB) | Remark |
|-----|--------------------|------------------|------------------------|-----------------|----------------|----------------|--------|
| 1   | 3435.000           | -76.14           | 13.26                  | -62.88          | -13.00         | -49.88         | peak   |





|             |                                |                      |                |
|-------------|--------------------------------|----------------------|----------------|
| Standard:   | Part 22H&24E&27                | Test Distance:       | 3 m            |
| Test item:  | Harmonic                       | Power:               | AC 120 V/60 Hz |
| Frequency:  | 1732.5 MHz                     | Temp.(°C)/Hum.(%RH): | 26(°C)/60 %RH  |
| Mode:       | 4 G_BAND 66_15 M_QPSK_CH132197 |                      |                |
| Ant.Polar.: | Horizontal                     |                      |                |

| No. | Frequency<br>(MHz) | Reading<br>(dBm) | Correct Factor<br>(dB) | Result<br>(dBm) | Limit<br>(dBm) | Margin<br>(dB) | Remark |
|-----|--------------------|------------------|------------------------|-----------------|----------------|----------------|--------|
| 1   | 3465.000           | -75.02           | 13.34                  | -61.68          | -13.00         | -48.68         | peak   |

|             |                                |                      |                |
|-------------|--------------------------------|----------------------|----------------|
| Standard:   | Part 22H&24E&27                | Test Distance:       | 3 m            |
| Test item:  | Harmonic                       | Power:               | AC 120 V/60 Hz |
| Frequency:  | 1732.5 MHz                     | Temp.(°C)/Hum.(%RH): | 26(°C)/60 %RH  |
| Mode:       | 4 G_BAND 66_15 M_QPSK_CH132197 |                      |                |
| Ant.Polar.: | Vertical                       |                      |                |

| No. | Frequency<br>(MHz) | Reading<br>(dBm) | Correct Factor<br>(dB) | Result<br>(dBm) | Limit<br>(dBm) | Margin<br>(dB) | Remark |
|-----|--------------------|------------------|------------------------|-----------------|----------------|----------------|--------|
| 1   | 3465.000           | -73.11           | 13.34                  | -59.77          | -13.00         | -46.77         | peak   |



|             |                                |                      |                |
|-------------|--------------------------------|----------------------|----------------|
| Standard:   | Part 22H&24E&27                | Test Distance:       | 3 m            |
| Test item:  | Harmonic                       | Power:               | AC 120 V/60 Hz |
| Frequency:  | 1747.5 MHz                     | Temp.(°C)/Hum.(%RH): | 26(°C)/60 %RH  |
| Mode:       | 4 G_BAND 66_15 M_QPSK_CH132347 |                      |                |
| Ant.Polar.: | Horizontal                     |                      |                |

| No. | Frequency<br>(MHz) | Reading<br>(dBm) | Correct Factor<br>(dB) | Result<br>(dBm) | Limit<br>(dBm) | Margin<br>(dB) | Remark |
|-----|--------------------|------------------|------------------------|-----------------|----------------|----------------|--------|
| 1   | 3495.000           | -76.03           | 13.41                  | -62.62          | -13.00         | -49.62         | peak   |

|             |                                |                      |                |
|-------------|--------------------------------|----------------------|----------------|
| Standard:   | Part 22H&24E&27                | Test Distance:       | 3 m            |
| Test item:  | Harmonic                       | Power:               | AC 120 V/60 Hz |
| Frequency:  | 1747.5 MHz                     | Temp.(°C)/Hum.(%RH): | 26(°C)/60 %RH  |
| Mode:       | 4 G_BAND 66_15 M_QPSK_CH132347 |                      |                |
| Ant.Polar.: | Vertical                       |                      |                |

| No. | Frequency<br>(MHz) | Reading<br>(dBm) | Correct Factor<br>(dB) | Result<br>(dBm) | Limit<br>(dBm) | Margin<br>(dB) | Remark |
|-----|--------------------|------------------|------------------------|-----------------|----------------|----------------|--------|
| 1   | 3495.000           | -73.27           | 13.41                  | -59.86          | -13.00         | -46.86         | peak   |



|             |                                 |                      |                |
|-------------|---------------------------------|----------------------|----------------|
| Standard:   | Part 22H&24E&27                 | Test Distance:       | 3 m            |
| Test item:  | Harmonic                        | Power:               | AC 120 V/60 Hz |
| Frequency:  | 1732.5 MHz                      | Temp.(°C)/Hum.(%RH): | 26(°C)/60 %RH  |
| Mode:       | 4 G_BAND 66_15 M-16QAM_CH132197 |                      |                |
| Ant.Polar.: | Horizontal                      |                      |                |

| No. | Frequency<br>(MHz) | Reading<br>(dBm) | Correct Factor<br>(dB) | Result<br>(dBm) | Limit<br>(dBm) | Margin<br>(dB) | Remark |
|-----|--------------------|------------------|------------------------|-----------------|----------------|----------------|--------|
| 1   | 3465.000           | -74.91           | 13.34                  | -61.57          | -13.00         | -48.57         | peak   |

|             |                                 |                      |                |
|-------------|---------------------------------|----------------------|----------------|
| Standard:   | Part 22H&24E&27                 | Test Distance:       | 3 m            |
| Test item:  | Harmonic                        | Power:               | AC 120 V/60 Hz |
| Frequency:  | 1732.5 MHz                      | Temp.(°C)/Hum.(%RH): | 26(°C)/60 %RH  |
| Mode:       | 4 G_BAND 66_15 M-16QAM_CH132197 |                      |                |
| Ant.Polar.: | Vertical                        |                      |                |

| No. | Frequency<br>(MHz) | Reading<br>(dBm) | Correct Factor<br>(dB) | Result<br>(dBm) | Limit<br>(dBm) | Margin<br>(dB) | Remark |
|-----|--------------------|------------------|------------------------|-----------------|----------------|----------------|--------|
| 1   | 3465.000           | -72.50           | 13.34                  | -59.16          | -13.00         | -46.16         | peak   |



|             |                                |                      |                |
|-------------|--------------------------------|----------------------|----------------|
| Standard:   | Part 22H&24E&27                | Test Distance:       | 3 m            |
| Test item:  | Harmonic                       | Power:               | AC 120 V/60 Hz |
| Frequency:  | 1720 MHz                       | Temp.(°C)/Hum.(%RH): | 26(°C)/60 %RH  |
| Mode:       | 4 G_BAND 66_20 M_QPSK_CH132072 |                      |                |
| Ant.Polar.: | Horizontal                     |                      |                |

| No. | Frequency<br>(MHz) | Reading<br>(dBm) | Correct Factor<br>(dB) | Result<br>(dBm) | Limit<br>(dBm) | Margin<br>(dB) | Remark |
|-----|--------------------|------------------|------------------------|-----------------|----------------|----------------|--------|
| 1   | 3440.000           | -76.43           | 13.27                  | -63.16          | -13.00         | -50.16         | peak   |

|             |                                |                      |                |
|-------------|--------------------------------|----------------------|----------------|
| Standard:   | Part 22H&24E&27                | Test Distance:       | 3 m            |
| Test item:  | Harmonic                       | Power:               | AC 120 V/60 Hz |
| Frequency:  | 1720 MHz                       | Temp.(°C)/Hum.(%RH): | 26(°C)/60 %RH  |
| Mode:       | 4 G_BAND 66_20 M_QPSK_CH132072 |                      |                |
| Ant.Polar.: | Vertical                       |                      |                |

| No. | Frequency<br>(MHz) | Reading<br>(dBm) | Correct Factor<br>(dB) | Result<br>(dBm) | Limit<br>(dBm) | Margin<br>(dB) | Remark |
|-----|--------------------|------------------|------------------------|-----------------|----------------|----------------|--------|
| 1   | 3440.000           | -71.51           | 13.27                  | -58.24          | -13.00         | -45.24         | peak   |



|             |                                |                      |                |
|-------------|--------------------------------|----------------------|----------------|
| Standard:   | Part 22H&24E&27                | Test Distance:       | 3 m            |
| Test item:  | Harmonic                       | Power:               | AC 120 V/60 Hz |
| Frequency:  | 1732.5 MHz                     | Temp.(°C)/Hum.(%RH): | 26(°C)/60 %RH  |
| Mode:       | 4 G_BAND 66_20 M_QPSK_CH132197 |                      |                |
| Ant.Polar.: | Horizontal                     |                      |                |

| No. | Frequency<br>(MHz) | Reading<br>(dBm) | Correct Factor<br>(dB) | Result<br>(dBm) | Limit<br>(dBm) | Margin<br>(dB) | Remark |
|-----|--------------------|------------------|------------------------|-----------------|----------------|----------------|--------|
| 1   | 3465.000           | -74.16           | 13.34                  | -60.82          | -13.00         | -47.82         | peak   |

|             |                                |                      |                |
|-------------|--------------------------------|----------------------|----------------|
| Standard:   | Part 22H&24E&27                | Test Distance:       | 3 m            |
| Test item:  | Harmonic                       | Power:               | AC 120 V/60 Hz |
| Frequency:  | 1732.5 MHz                     | Temp.(°C)/Hum.(%RH): | 26(°C)/60 %RH  |
| Mode:       | 4 G_BAND 66_20 M_QPSK_CH132197 |                      |                |
| Ant.Polar.: | Vertical                       |                      |                |

| No. | Frequency<br>(MHz) | Reading<br>(dBm) | Correct Factor<br>(dB) | Result<br>(dBm) | Limit<br>(dBm) | Margin<br>(dB) | Remark |
|-----|--------------------|------------------|------------------------|-----------------|----------------|----------------|--------|
| 1   | 3465.000           | -74.54           | 13.34                  | -61.20          | -13.00         | -48.20         | peak   |



|             |                                |                      |                |
|-------------|--------------------------------|----------------------|----------------|
| Standard:   | Part 22H&24E&27                | Test Distance:       | 3 m            |
| Test item:  | Harmonic                       | Power:               | AC 120 V/60 Hz |
| Frequency:  | 1745 MHz                       | Temp.(°C)/Hum.(%RH): | 26(°C)/60 %RH  |
| Mode:       | 4 G_BAND 66_20 M_QPSK_CH132322 |                      |                |
| Ant.Polar.: | Horizontal                     |                      |                |

| No. | Frequency<br>(MHz) | Reading<br>(dBm) | Correct Factor<br>(dB) | Result<br>(dBm) | Limit<br>(dBm) | Margin<br>(dB) | Remark |
|-----|--------------------|------------------|------------------------|-----------------|----------------|----------------|--------|
| 1   | 3490.000           | -76.30           | 13.39                  | -62.91          | -13.00         | -49.91         | peak   |

|             |                                |                      |                |
|-------------|--------------------------------|----------------------|----------------|
| Standard:   | Part 22H&24E&27                | Test Distance:       | 3 m            |
| Test item:  | Harmonic                       | Power:               | AC 120 V/60 Hz |
| Frequency:  | 1745 MHz                       | Temp.(°C)/Hum.(%RH): | 26(°C)/60 %RH  |
| Mode:       | 4 G_BAND 66_20 M_QPSK_CH132322 |                      |                |
| Ant.Polar.: | Vertical                       |                      |                |

| No. | Frequency<br>(MHz) | Reading<br>(dBm) | Correct Factor<br>(dB) | Result<br>(dBm) | Limit<br>(dBm) | Margin<br>(dB) | Remark |
|-----|--------------------|------------------|------------------------|-----------------|----------------|----------------|--------|
| 1   | 3490.000           | -74.48           | 13.39                  | -61.09          | -13.00         | -48.09         | peak   |



|             |                                 |                      |                |
|-------------|---------------------------------|----------------------|----------------|
| Standard:   | Part 22H&24E&27                 | Test Distance:       | 3 m            |
| Test item:  | Harmonic                        | Power:               | AC 120 V/60 Hz |
| Frequency:  | 1732.5 MHz                      | Temp.(°C)/Hum.(%RH): | 26(°C)/60 %RH  |
| Mode:       | 4 G_BAND 66_20 M-16QAM_CH132197 |                      |                |
| Ant.Polar.: | Horizontal                      |                      |                |

| No. | Frequency<br>(MHz) | Reading<br>(dBm) | Correct Factor<br>(dB) | Result<br>(dBm) | Limit<br>(dBm) | Margin<br>(dB) | Remark |
|-----|--------------------|------------------|------------------------|-----------------|----------------|----------------|--------|
| 1   | 3465.000           | -75.42           | 13.34                  | -62.08          | -13.00         | -49.08         | peak   |

|             |                                 |                      |                |
|-------------|---------------------------------|----------------------|----------------|
| Standard:   | Part 22H&24E&27                 | Test Distance:       | 3 m            |
| Test item:  | Harmonic                        | Power:               | AC 120 V/60 Hz |
| Frequency:  | 1732.5 MHz                      | Temp.(°C)/Hum.(%RH): | 26(°C)/60 %RH  |
| Mode:       | 4 G_BAND 66_20 M-16QAM_CH132197 |                      |                |
| Ant.Polar.: | Vertical                        |                      |                |

| No. | Frequency<br>(MHz) | Reading<br>(dBm) | Correct Factor<br>(dB) | Result<br>(dBm) | Limit<br>(dBm) | Margin<br>(dB) | Remark |
|-----|--------------------|------------------|------------------------|-----------------|----------------|----------------|--------|
| 1   | 3465.000           | -74.43           | 13.34                  | -61.09          | -13.00         | -48.09         | peak   |



## **Appendix : Frequency Stability/ Emission Bandwidth & Occupied Bandwidth/ Peak to Average Ratio/ Band Edge/ Conducted Spurious Emission**

The equipment passed the requirement of this clause, the detail results refer to "Test Results\_Band2/Band4/Band5/Band7/Band12/Band30/Band66.