

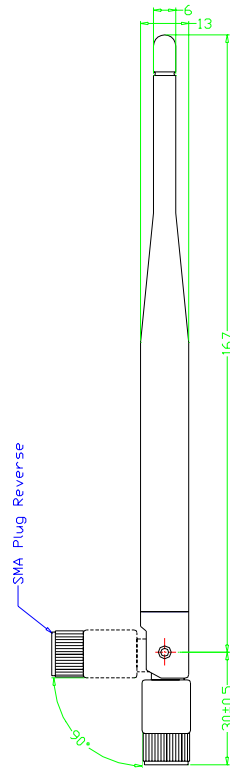
## TECHNICAL DATA

### Electrical Properties

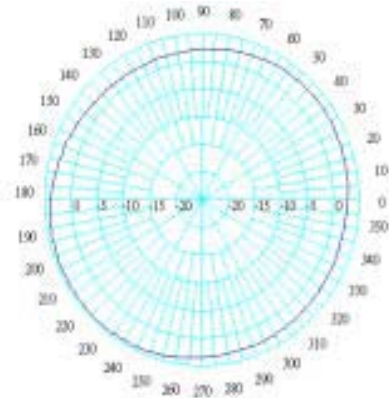
Frequency Range	2.4~2.5 GHz
Impedance	50 Ohms nominal
VSWR	2.0
Gain	5 dBi
Radiation	Omni
Polarization	Vertical
Electrical Wave	$\lambda/4$ Dipole array
Standard Connector	Reverse SMA

### Mechanical Properties

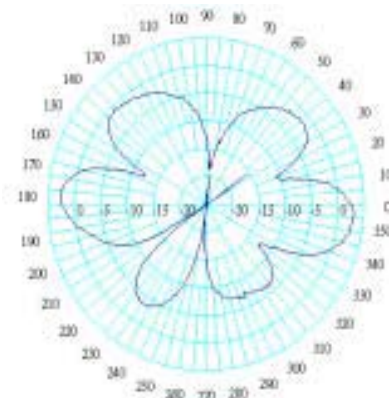
Antenna Cover	Polyurethane
Color	Black
Operation Temperature	-20°C ~ +60°C
Storage Temperature	-30°C ~ +75°C



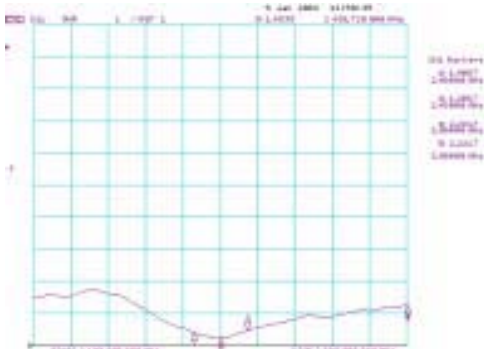
H-Plain Field Pattern



E-Plane Field Pattern



VSWR



Return Loss



## APPROVAL SHEET

CUSTOMER

MODEL NO. : NAS-2405 (N)

DESCRIPTION : **2.4GHz Flying Lead  
Omni-Directional Antenna**

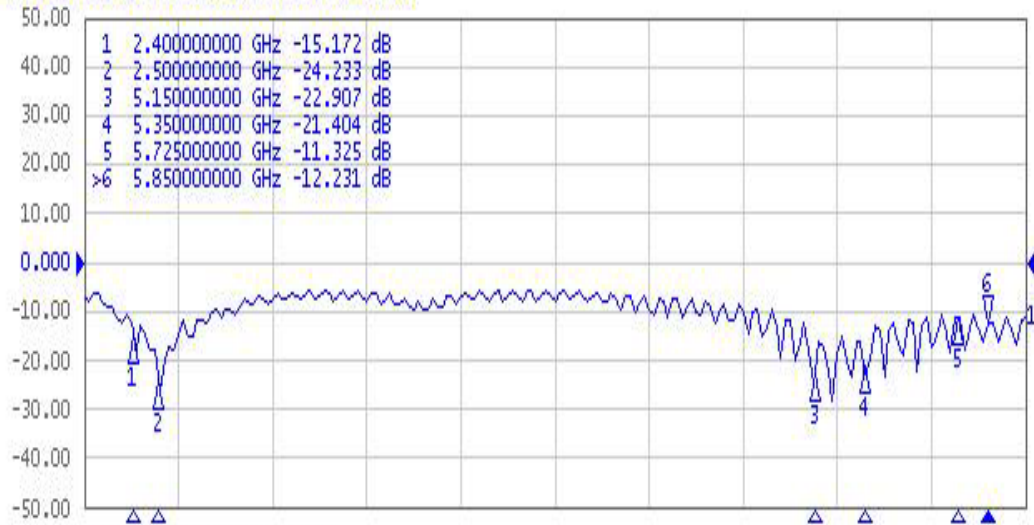
Customer Approval

--	--	--

1. Frequency Range.....	2.4~2.4835GHz
2. Impedance.....	50 Ohms (nominal)
3. SWR.....	$\leq 2.0$
4. Return Loss.....	$\leq -9.6$ dB
5. Gain.....	5.0dBi
6 .Polarization.....	Vertical
7. Connector.....	SMA Plug (Reverse Polarity)
8. Cable.....	RG-316

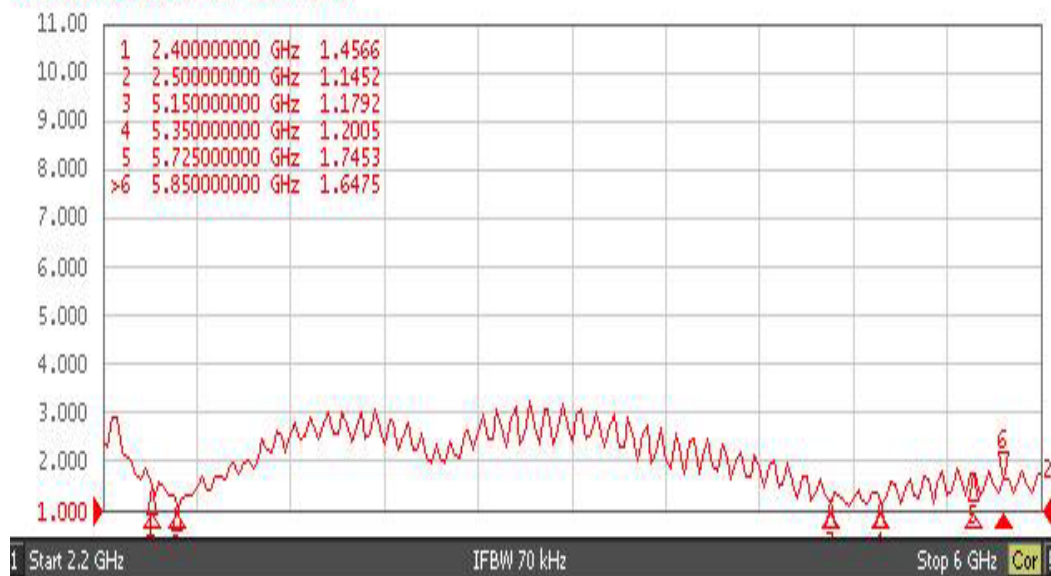
**Return Loss**

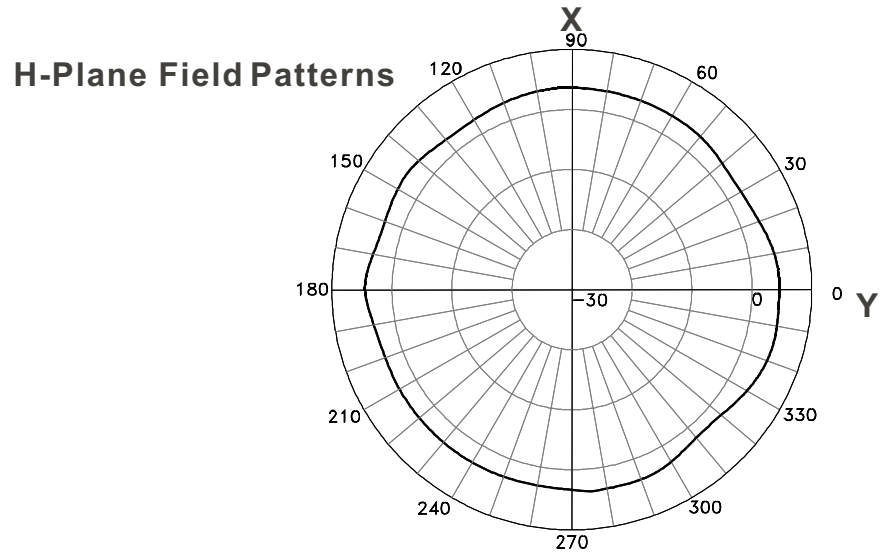
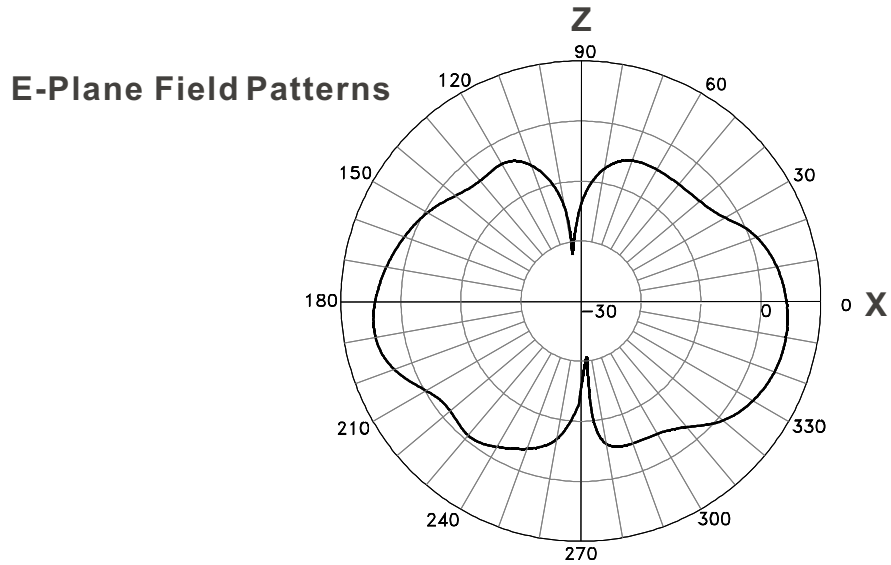
Tr1 544 Log Mag 10.00dB/ Ref 0.000dB [R0]



**SWR**

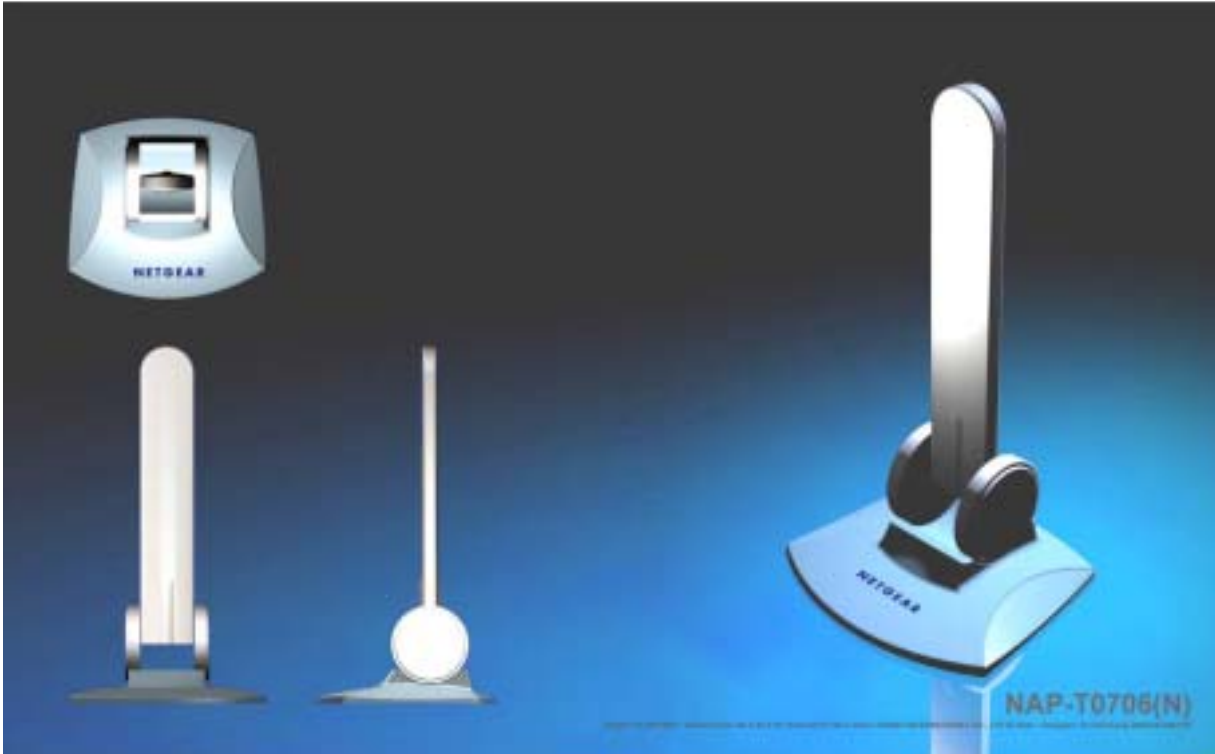
Tr2 544 SWR 1.000/ Ref 1.000 [R0]





Frequency: 2.45GHz  
Gain: 5.0dBi

Model No. : **NAS-2405(N)**



REV		BY		DATE	
1					

SMA Plug Reverse



ITEM NO.	QTY REQD	PART NUMBER	DESCRIPTION
1			

DESCRIPTION

欣格科技股份有限公司  
Antenniques Corp. Ltd.

MCS004 SMA Reverse ANTENNA

PART NO. MCS-004A-205-01

DRAWING NO. W/R-R-AJ0160-A1

METRIC



THIRD ANGLE PROJECTION

PARTS LIST

ITEM NO.	QTY REQD	PART NUMBER	DESCRIPTION
1			

DO NOT SCALE DRAWING

1 OF 1

# TECHNICAL DATA

## ● Electrical Properties

---

Frequency Range	: 2.4~2.5GHz
Impedance	: 50 Ohm nominal
VSWR	: $\leq 2.0$
Gain	: 7dBi
Radiation	: Omni
Polarization	: Vertical
Electrical Wave	: $\lambda/4$ Dipole Array
Connector	: SMA Plug Reverse

## ● Mechanical Properties

---

Antenna Cover	: PU
Color	: Black
Operation Temperature	: $-20^{\circ}\text{C} \sim +60^{\circ}\text{C}$
Storage Temperature	: $-30^{\circ}\text{C} \sim +75^{\circ}\text{C}$